



INSTALLATION AND OPERATING INSTRUCTIONS FOR THE FREESTANDING GAS STOVE

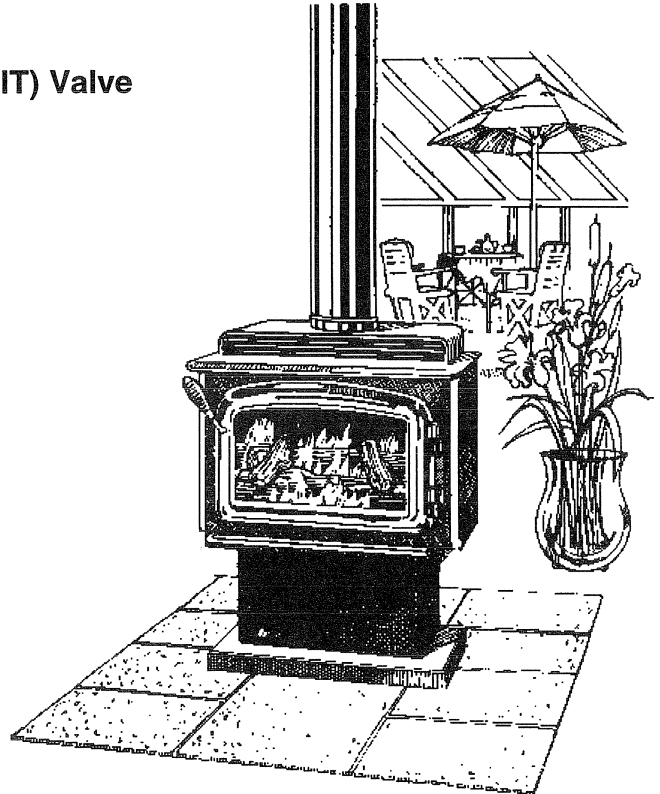
Standing Pilot Ignition with Standard (RS) Valve
Model GR57H Natural Gas Heater
Model GR58H Propane Gas Heater

Standing Pilot Ignition with Thermostatic (SIT) Valve
Model GR77H Natural Gas Heater
Model GR78H Propane Gas Heater

LISTINGS AND CODE APPROVALS

These gas appliances have been tested in accordance with National Safety Standards, and have been certified by Warnock Hersey for installation and operation as described in these Installation and Operating Instructions in the United States and Canada.

Check with your local building code agency before you begin your installation to ensure compliance with local codes, including the need for "permits" and follow-up inspections. If any problems are encountered regarding code approvals, or if you wish clarification of any on the instructions contained here, contact: Customer Service Department of Regency Industries, 7830 Vantage Way Delta, BC Canada, V4G 1A7.



PLEASE KEEP THESE INSTRUCTIONS FOR FUTURE REFERENCE

| | |
|---|---|
| <p>WARNING:</p> <p>Improper installation, adjustment, alteration, service or maintenance can cause injury or property damage.</p> <p>Refer to this manual. For assistance or additional information consult a qualified installer, service agency or the gas supplier.</p> | <p>FOR YOUR SAFETY</p> <p>What to do if you smell gas:</p> <ol style="list-style-type: none"> 1) Open windows. 2) Turn off main gas supply 3) Do not touch any electrical switch. 4) Extinguish any open flames. 5) Immediately call your gas supplier. |
| | <p>FOR YOUR SAFETY</p> <p>Do not store or use gasoline or other flammable vapors and liquids in the vicinity of this or any other appliance.</p> |

Regency Industries Ltd.
6988 Venture St., Delta, B.C.
Canada, V4G 1H4

Tested by Warnock Hersey:



REGENCY FREESTANDING GAS STOVE

To the New Owner:

Congratulations! You are the owner of a state-of-the-art Gas Stove by Regency Industries Ltd. The Regency Gas Series of hand crafted appliances has been designed to provide you with all the warmth and charm of a woodstove, at the flick of a switch. The models GR77H and GR78H of this series has been approved by Warnock Hersey for both safety and efficiency. As it also bears our own mark, it promises to provide you with economy, comfort and security for many trouble free years to follow. Please take a moment now to acquaint yourself with these instructions and the many features of your Regency Gas Stove.

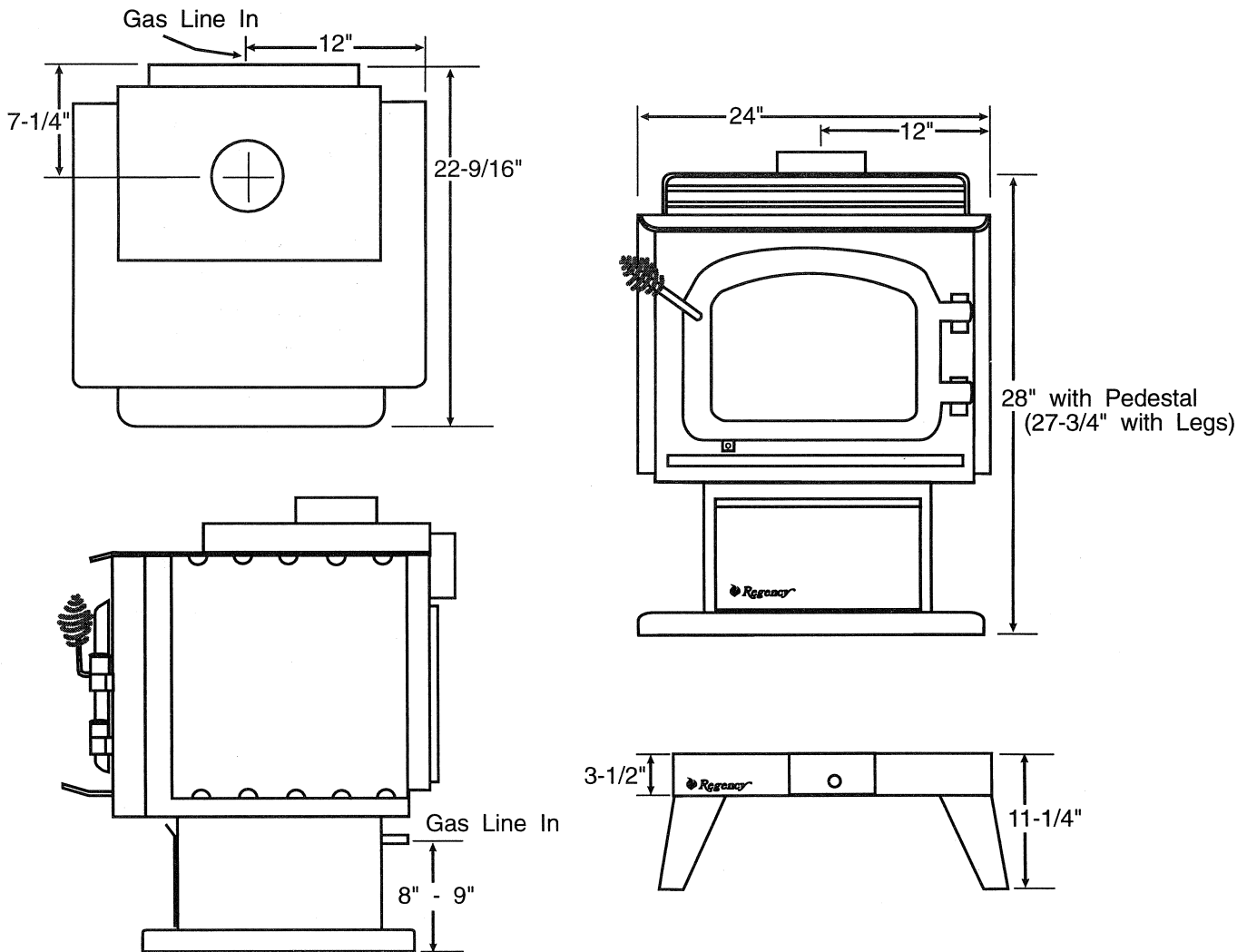


Figure 1

TABLE OF CONTENTS

| | Page | | Page |
|--|------|--|------|
| <hr/> | | <hr/> | |
| Installation | | Operating Instructions | |
| Unit Dimensions | 2 | Operating Instructions | 9 |
| General Installation Information | 4 | Lighting Instructions for Thermostatic Valve (GR77H / GR78H) | 9 |
| Clearances to Combustibles | 4 | Shutdown Instructions for Thermostatic Valve (GR77H / GR78H) | 9 |
| Leg and Bottom Shield Assembly | 5 | Lighting Instructions for Millivolt Valve (GR57H / GR58H) | 9 |
| Optional Outside Air | 5 | Copy of Lighting Plate Instructions (GR77H/ GR78H) | 10 |
| Outside Air through Bottom of Pedestal | 5 | Copy of Lighting Plate Instructions (GR57H/ GR58H) | 11 |
| Outside Air through Rear of Pedestal | 5 | Shutdown Instructions for Millivolt Valve (GR57H / GR58H) | 12 |
| Draft Hood | 6 | First Fire | 12 |
| Venting | 6 | Wiring Diagram (GR57H / GR58H) | 12 |
| Venting Requirements | 6 | | |
| Gas Connection | 6 | <hr/> | |
| For Leg Option Unit | 6 | Maintenance | |
| System Data | 6 | Maintenance Instructions | 13 |
| High Elevation | 7 | Log Replacement | 13 |
| Log Installation | 7 | Gold Plated Doors | 13 |
| Glass and Door Installation | 7 | Glass Replacement | 13 |
| Door Handle | 8 | Door Gasket | 14 |
| Optional Fan | 8 | Latch Adjustment | 14 |
| Gas Pressure Test | 8 | Parts List | 14 |
| Test for Flue Spillage | 8 | <hr/> | |
| | | Warranty | |
| | | Warranty | 15 |

INSTALLATION

GENERAL INFORMATION

This installation must conform with local codes or, in the absence of local codes, in the U.S.A. with the National Fuel Gas Code, ANSI Z223.1-1988, and National Electrical Code ANSI/NFPA 70 installation codes. In Canada, current CAN/CGA-B149.1 and B149.2 codes and current CSA C22.1 Canadian Electrical Code.

THIS APPLIANCE SHOULD BE INSTALLED, REPAIRED, INSPECTED BEFORE USE AND AT LEAST ANNUALLY BY A QUALIFIED SERVICE PERSON. MORE FREQUENT CLEANING MAY BE REQUIRED DUE TO EXCESSIVE LINT FROM CARPETING, ETC. IT IS IMPERATIVE THAT CONTROL COMPARTMENT, BURNERS AND CIRCULATING AIR PASSAGEWAYS OF THE APPLIANCE BE KEPT CLEAN.

DUE TO HIGH TEMPERATURES, THE APPLIANCE SHOULD BE LOCATED OUT OF TRAFFIC AND AWAY FROM FURNITURE AND DRAPERIES.

WARNING: THIS APPLIANCE CAN ONLY BE COMMON-VENTED IN ACCORDANCE WITH THE NATURAL GAS INSTALLATION CODE. THAT IS THAT THE VENTING MUST BE SIZED ACCORDINGLY TO ACCOMMODATE THE TOTAL BTU RANGE OF ALL APPLIANCES CONCERNED AND THAT THE CODE ALLOWS THE VENTING OF THE APPLIANCE IN QUESTION TO BE VENTED TOGETHER. IT SHOULD ALSO BE NOTED THAT GAS APPLIANCES MUST NOT BE VENTED WITH SOLID FUEL BURNING APPLIANCES.

WARNING: FAILURE TO INSTALL THIS APPLIANCE CORRECTLY MAY CAUSE A SERIOUS HOUSE FIRE.

Provide adequate clearances for servicing, proper operation and around the air openings into the combustion chamber. Adequate combustion and ventilation air must also be provided.

The appliance must be installed on a flat, solid, continuous surface (i.e. wood, metal, concrete). This may be the floor, or it can be raised up on a platform to enhance its visual impact.

The Regency Freestanding Gas Stove can be installed in a wide variety of ways and will fit nearly any room layout. It may be installed in a recessed position, framed out into the room, or across a corner.

We recommend that you plan your installation on paper using exact measurements for clearances and floor protection before actually installing this appliance. If an existing chimney is not utilized, position the appliance to allow free passage of factory-built listed chimney through the ceiling and roof. Have a qualified building inspector review your plans before installation.

CLEARANCES TO COMBUSTIBLES

The clearances listed below in Figures 2 and 3 are MINIMUM distances. Measure the clearance to both the appliance and the chimney connector. The farthest distance is correct if the two clearances do not match.

For example, if the appliance is set as indicated in one of the figures but the connector is too close, move the stove until the correct clearance to the connector is obtained.

This appliance may be installed only with the clearances as shown in the situations pictured. Do not combine clearances from one type of installation with another in order to achieve closer clearances.

Use the minimum clearances shown in Figure 2 for installation with single wall connector.

If further reduced clearances are needed, obtain requirements for construction of a protected wall from your local building authorities and their allowable reductions of the listed clearances.

| | |
|---------------------|------------------|
| A Side Wall to Unit | 6" / 155 mm |
| B Back Wall to Unit | 6" / 155 mm |
| C Back Wall to Flue | 10-1/2" / 270 mm |
| D Side Wall to Flue | 15-1/2" / 395 mm |
| E Side Wall to Unit | 5" / 130 mm |
| F Side Wall to Flue | 13-1/2" / 345 mm |

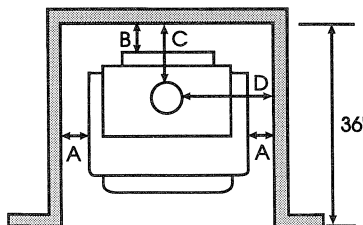


Figure 2

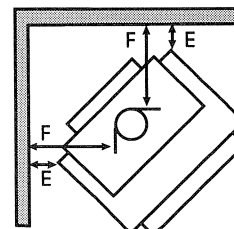


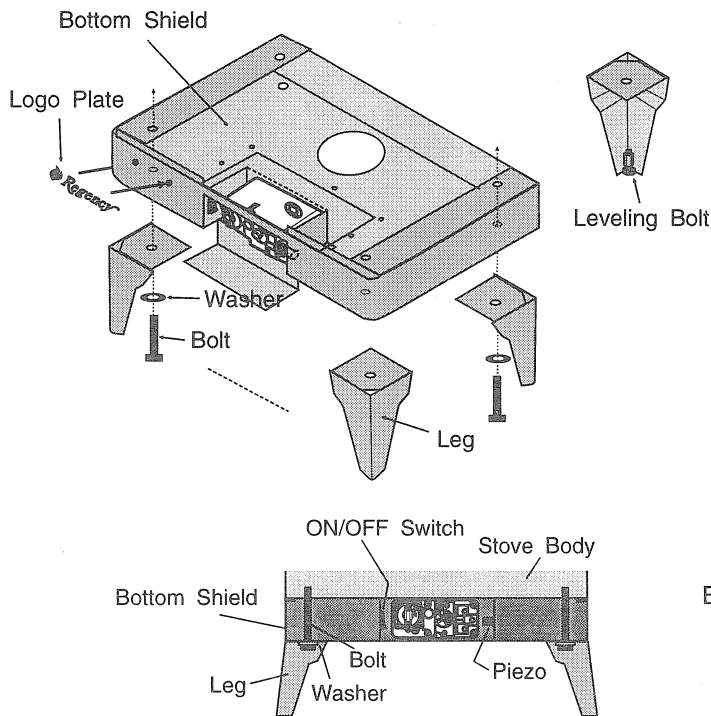
Figure 3

Minimum ceiling height is 30" / 765 mm from top of unit.

LEG AND BOTTOM SHIELD ASSEMBLY

The instructions below apply to the steel leg, painted cast leg and the gold plated cast leg. It will be easier to attach the legs to the stove if it is tipped on its back (preferably on a soft surface to prevent scratching).

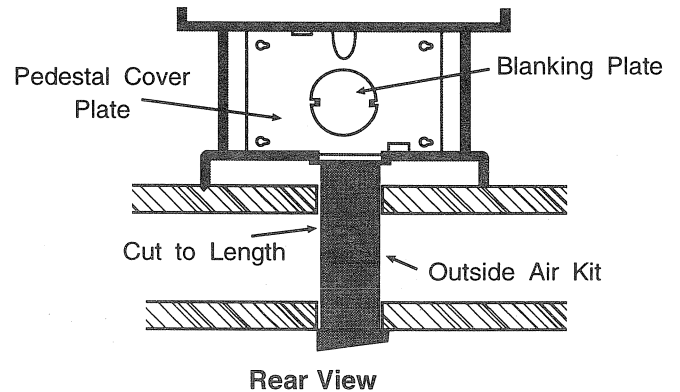
- 1) Remove one bolt and washer from the underside of the bottom shield. Slide the leg into place and screw the bolt back in.
- 2) Repeat for each leg. DO NOT remove all 4 bolts at once, as this will pull the bottom shield and valve out of position.
- 3) At this time, you may want to make the gas connection as detailed on page 6.
- 4) Level the stove by adjusting the levelling bolts in the bottom of each leg.



over them. Slide the plate to the left to center it and tighten down the 4 screws.

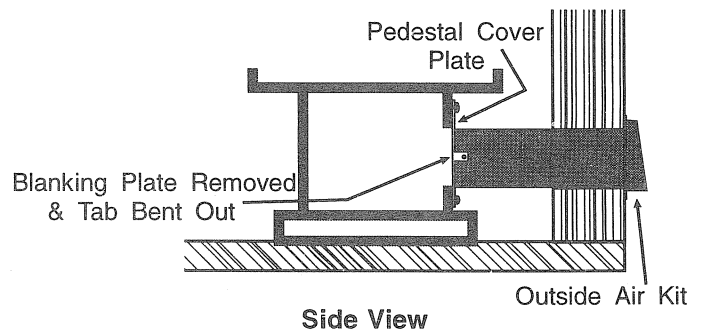
Outside Air Through Pedestal Bottom

Once you have properly marked the position of your unit as outlined in "General Information" and "Clearances to Combustibles", cut a minimum 3 inch diameter hole through the floor directly under your pedestal base to the outside. Pipe fresh air into the pedestal area by using a minimum 3" duct pipe with a mesh grill at the outside termination.



Outside Air Through Pedestal Rear

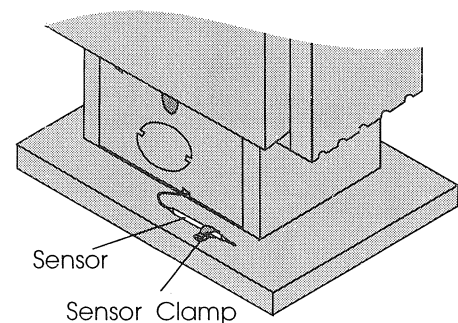
Remove the blanking plate from the rear of the pedestal cover plate and bend the two tabs out 90 degrees. Pipe fresh air into the pedestal area by using a minimum 3" duct pipe with a mesh grill at the outside termination. Attach the pipe to the tabs with screws.



OPTIONAL OUTSIDE AIR

Outside air is now an option for Gas Stoves. Outside air for combustion can be brought in either through the bottom of the pedestal or through the rear plate of the pedestal.

For both bottom and rear outside air the Pedestal Cover Plate must be installed. Loosen the 4 screws on the rear of the pedestal and slide the cover plate



INSTALLATION

DRAFT HOOD

The heater has a draft hood built into its back. It must not be altered or obstructed, and the unit must be installed so that the draft hood is in the same atmospheric pressure zone as the combustion air inlet to the burner.

VENTING

This heater is a vented appliance and must be connected to a chimney/flue in accordance with the installation codes.

Note: The rear cover plate is only attached when outside air is being used. Do **not** install it when using room air for combustion.

For your safety this heater is equipped with a vent safety switch designed to sense incorrect venting and react by shutting down the gas supply. This thermally actuated switch is located within the draft hood and will detect either a blocked chimney or backdraft condition where the chimney flow has reversed.

Venting Requirements

Five inch diameter vent is required. B-Vent, Class A or Masonry with a liner are all acceptable. Follow all venting manufacturer's requirements and local building codes. For altitudes above 2000 ft. we recommend that a minimum flue height of 12 ft. is used.

Installing into Existing Wood-stove Flue System

- 1) Clean existing chimney system.
- 2) Run 5" flex liner into existing chimney. See Figure 4.

NOTE: See the chimney systems manufacturer for detailed installation instructions.

DO NOT CONNECT TO ANY CHIMNEY/FLUE SERVICING ANY OTHER APPLIANCE.

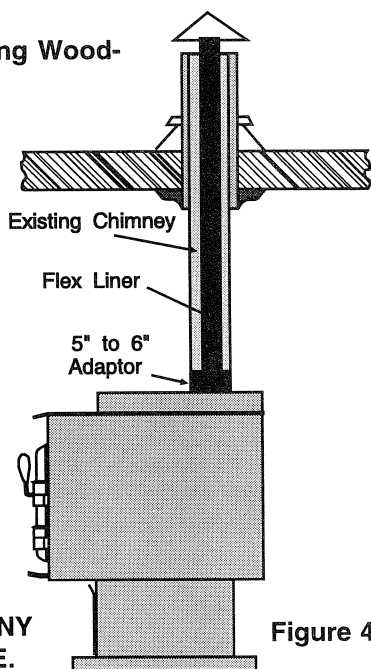


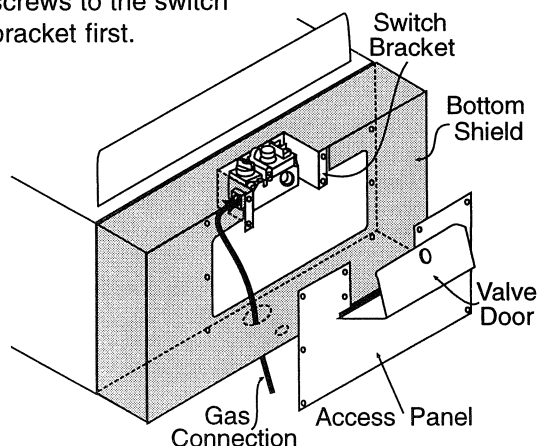
Figure 4

GAS CONNECTION

The gas connection is 1/2" NPT and easily accessible by removing the pedestal cover of the appliance. The gas line can be ridged pipe or to make installation easier use a listed flexible connector and manual shut-off valve. For minimum and maximum supply pressure see the System Data table below.

For Leg Option Unit:

Remove the access panel from underneath the bottom shield. Bring the gas line in through the larger hole in the back of the bottom shield and connect to the valve. After connection is completed, replace the access panel, tighten the 4 screws to the switch bracket first.



System Data

For 0 to 4500 feet altitude
Burner Inlet Orifice Sizes:

| | |
|-------------|-----|
| Natural Gas | #41 |
| Propane | #53 |

| | |
|------------------------|---------------|
| Input Rating | 26,250 btu/h |
| Output Capacity | 18,375 btu/hr |

Supply Pressure

| | | |
|-------------|---------|------------|
| Natural Gas | minimum | 5.0" w.c. |
| | maximum | 7.0" w.c. |
| Propane | minimum | 11.0" w.c. |
| | maximum | 14.0" w.c. |

Manifold Pressure

| | |
|-------------|---------------------|
| Natural Gas | 3.5" +/- 0.2" w.c. |
| Propane | 10.0" +/- 0.2" w.c. |

NOTE: During any pressure testing of the gas supply piping system that exceeds test pressures of 1/2 psig, this appliance and its individual shut-off valve must be disconnected from the piping system. If test pressures equal to or less than 1/2 psig are used then this appliance must be isolated from the piping system by closing its individual manual shut-off valve during the testing.

A 1/8" NPT plugged tapping is provided on the gas control valve. It is located near the outlet to the Main Burner immediately upstream of the gas supply connection to the appliance, and is easily accessible for a test gauge connection.

HIGH ELEVATION

This unit is approved in Canada for altitude 0 to 4500 ft. (CAN1 2.17-M90) with the orifice supplied. In USA refer to ANSI Z223.1-1988, Appendix F, for re-sizing orifice.

LOG INSTALLATION

The gas log kit contains four (4) logs (Part # 471-932 for the set):

- 1) Front Log 2" high by 20" long (Part # 902-136)
- 2) Rear Log 3" high by 20" long (Part # 902-132)
- 3) Small Cross Logs (2) 8" long (Part # 902-134).

Positioning the Log Set

WARNING: Dangerous operating conditions may occur if these logs are not positioned in their Warnock Hersey certified locations. Read the instructions below carefully and refer to the diagrams.

- 1) Remove the logs from the heater and carefully unwrap them. **The logs are fragile, handle with care - DO NOT FORCE into position.**
- 2) Place the larger diameter log in the back of the heater, aligning the slots in the bottom of the log with the support and pins sticking up in the rear of the unit. Carefully push the log down onto the support and pins. See Figure 5.
- 3) Place the smaller diameter log in front of the rear log and align the slots on the underside of the log with the front supports and pins. Carefully push the log down onto the support and pins. See Figure 5.

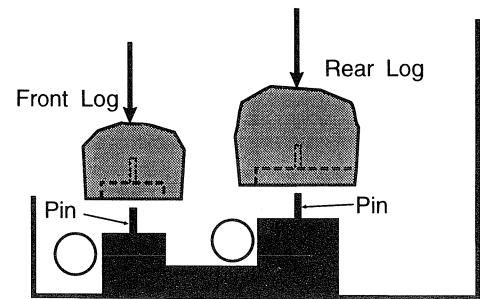


Figure 5

- 4) The lower front edge of the logs should be nearly touching the flame. The flame must not be under the log.
- 5) The cross logs are placed on the flat areas on the front and rear logs as shown in Figure 6.

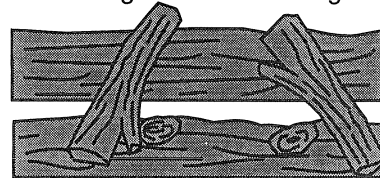
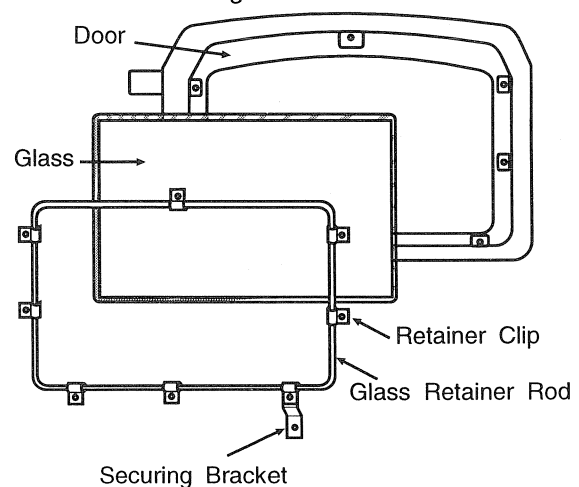


Figure 6

GLASS AND DOOR INSTALLATION

- 1) Take door off stove and lay on flat soft surface.
- 2) Put glass in place and then position glass retainer
- 3) Position the glass retainer clips and door securing bracket. Secure loosely with the glass retaining screws. See diagram below.

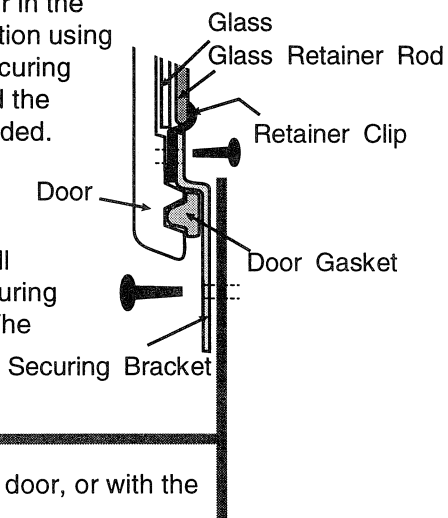


- 4) Tighten all screws evenly.
NOTE: Do not overtighten as this may cause breakage.
- 5) Fit door to the stove and tighten latch.

INSTALLATION

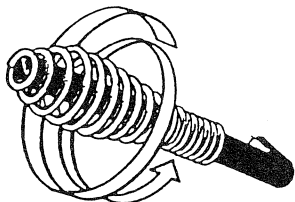
- 6) Secure door in the closed position using the door securing bracket and the screw provided.

The door must be kept closed and locked at all times, except during maintenance. The unit must never be operated without the glass in the door, or with the door open.



DOOR HANDLE

Attach spring handle by rotating counter clockwise onto rod. Ensure that the rod fits into the entire length of the spring handle. See Diagram below.



FAN (OPTIONAL)

To install you optional Regency fan, slide the fan housing up the rear heat shield, align holes, and secure with the supplied screws. Make sure that the power cord at no time is allowed to come into contact with the hot surface of the unit. Read the operating instructions for the fan before using.

GAS PRESSURE TEST

The burner aeration is factory set but may need adjusting due to either the local gas supply or altitude. As a general rule if the flame is too yellow open up the air shutter, if it is too blue close the air shutter.

The unit is preset to give the correct heat input at the specified manifold pressures shown in the Systems Data table on Page 5. The maximum heat input is 26,250 btu/h.

The manifold pressure is controlled by a regulator built into the gas control, and should be checked at the pressure test point. This is a 1/8" NPT plugged tapping located on the gas control, near the outlet to the main burner.

The pressure check should be carried out with the unit burning and the setting should be with the limits specified in the System Data table on Page 5.

If in doubt - check the gas rate at the meter after 10 minutes of operation.

TEST FOR FLUE SPILLAGE

A "spillage" test must be made before the installed unit is left with the customer. Follow the procedure below:

- 1) Start all exhaust fans in the home and then close all doors and windows in the room.
- 2) Light the unit and set controls to maximum.
- 3) After five minutes, test that there is a "pull" on the flue by placing a smoke match, cigarette or similar device which gives off smoke, on the edge of the draft hood. See Figure 7.

The smoke should be drawn into the draft hood, if it does not, then leave the unit for a further five minutes and retest as above. If the smoke is still not drawn into the draft hood, turn the unit off and check for the cause of the lack of draft. If necessary, seek expert advice.

Note: If the flue is blocked or has a strong reverse flow, the thermally actuated safety switch mounted in the draft hood will automatically shut off the gas supply within about 10 minutes. If the heater turns off because of this during the spillage test, check for the cause of the lack of draft and if necessary, seek expert advice.

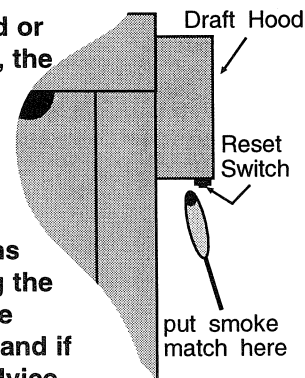


Figure 7

To reset the thermally actuated safety switch, let the unit cool for 10 minutes, then press the red reset button on the underside of the switch. See Figure 7.

OPERATING INSTRUCTIONS

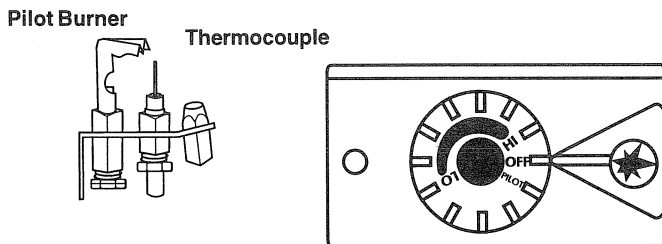
OPERATING INSTRUCTIONS

Before operating this appliance, proceed through the following check list.

- 1) Verify log placement.
- 2) Check to see that all wiring is correct and enclosed to prevent possible shock.
- 3) Check to ensure there are no gas leaks.
- 4) Make sure front glass is in its proper position. Never operate the appliance with the front glass removed or with the door open.
- 5) Verify that all venting and the cap is unobstructed.
- 6) Read and understand these Instructions before operating this appliance.

LIGHTING PROCEDURE FOR THERMOSTATIC VALVE FOR (GR77H / GR78H)

- 1) If the control knob is in the "OFF" position proceed to Step 4.
- 2) Push in gas control knob slightly and turn clockwise to "OFF". Knob cannot be turned from "PILOT" to "OFF" unless knob is pushed in slightly. Do not force.



- 3) Wait five minutes to allow gas, that may have accumulated in the main burner compartment, to escape. If you do smell gas, follow the instructions on the front of this manual. If you don't smell gas continue on to the next step.
- 4) Turn the gas control counterclockwise to "PILOT".
- 5) Push in control knob all the way and hold in. Immediately push black button on spark igniter until pilot lights. Continue to hold the control knob

in for about 30 seconds after the pilot is lit. Release knob and it will pop back up. Pilot should remain lit. If it goes out, repeat Steps 2) and 4).

- 6) Turn gas control knob counterclockwise to the desired setting between HI and LOW.
- 7) The thermostatic valve fitted to this heater will reduce the flame height when the room reaches the temperature that you have set by positioning the control knob between HI and LO.

If the temperature in the room continues to rise the valve will shut down to the pilot setting only until the room cools. The valve will then automatically turn the main burner back on. The main burner can be turned on manually if required by turning the control knob closer to the HI setting.

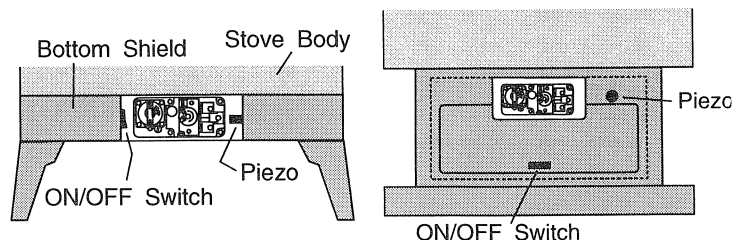
SHUTDOWN PROCEDURE FOR (GR77H / GR78H)

- 1) Push in the gas control knob slightly and turn clockwise to "OFF". Do not force.
- 2) Turn off all electric power to the appliance if service is to be performed.

LIGHTING PROCEDURE FOR (GR57H / GR58H)

IMPORTANT: Gas cock knob cannot be turned from "PILOT" to "OFF" unless it is partially depressed.

- 1) If the control knob is in the "OFF" position proceed to Step 4.
- 2) Push in gas control knob slightly and turn clockwise to "OFF". Knob cannot be turned from "PILOT" to "OFF" unless knob is pushed in slightly. Do not force.



OPERATING INSTRUCTIONS

Copy of the Lighting Plate instructions for the GR77H and GR78H.

FOR YOUR SAFETY READ BEFORE LIGHTING

This appliance must be installed in accordance with local codes, if any; if not, follow the current CAN1-B149/ANSI Z 223.1-1980

WARNING: If you do not follow these instructions exactly, a fire or explosion may result causing property damage, personal injury or loss of life. Improper installation, adjustment, alteration, service or maintenance can cause injury or property damage. Refer to the owner's information manual provided with this appliance. For assistance or additional information consult a qualified installer, service agency or gas supplier.

A) This appliance has a pilot which must be lighted by hand. When lighting the pilot, follow these instructions exactly.

B) BEFORE LIGHTING smell all around the appliance area for gas. Be sure to smell next to the floor because some gas is heavier than air and will settle on the floor.

WHAT TO DO IF YOU SMELL GAS

- Do not try to light any appliance.
- Do not touch any electric switch, do not use any phone in your building.
- Immediately call your gas supplier from a neighbour's phone. Follow the gas supplier's instructions.
- If you cannot reach your gas supplier, call the fire department.

C) Use only your hand to push in or turn the gas control knob. Never use tools. If the knob will not push in or turn by hand, don't try to repair it, call a qualified service technician. Force or attempted repair may result in a fire or explosion.

D) Do not use this appliance if any part has been under water. Immediately call a qualified service technician to inspect the appliance and to replace any part of the control system and any gas control which has been under water.

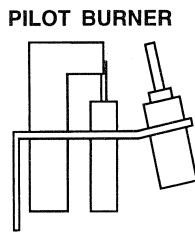
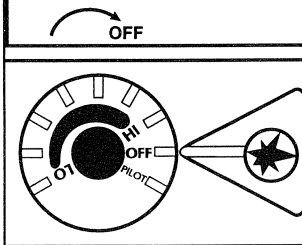
This appliance needs fresh air for safe operation and must be installed so there are provisions for adequate combustion and ventilation air.

CAUTION: Hot while in operation. Do not touch. Due to high surface temperatures keep children, clothing and furniture, away. Keep burner and control compartment clean. See installation and operating instructions accompanying appliance.

LIGHTING INSTRUCTIONS

STOP! Read the safety information above on this label.

- 1) Turn rocker switch to "OFF" if supplied.
- 2) Push in gas control knob slightly and turn clockwise to "OFF". Knob cannot be turned from "PILOT" to "OFF" unless knob is pushed in slightly. Do not force.



THERMOCOUPLE

- 3) Wait five (5) minutes to clear out any gas. If you then smell gas **STOP!** follow "B" in the safety information above on this label. If you don't smell gas, go to the next step.
- 4) Turn knob on gas control counterclockwise to "PILOT".
- 5) Push in control knob all the way and hold in. Immediately push red button on spark igniter until pilot lights. Continue to hold the control knob in for about 1/2 minute after the pilot is lit. Release knob and it will pop back up. Pilot should remain lit. If it goes out, repeat steps 3) and 4). If knob does not pop up when released, stop and immediately call your service technician or gas supplier. If the pilot will not stay lit after several tries, turn the gas control knob to "OFF" and call your service technician or gas supplier.
- 6) Turn gas control knob counterclockwise to desired setting.
- 7) Turn rocker switch to "ON" for convection fan if equipped.

TO TURN OFF GAS APPLIANCE

- 1) Push in the gas control knob slightly and turn clockwise to "OFF". Do not force.
- 2) Turn off all electric power to the appliance if service is to be performed.

DO NOT REMOVE THIS INSTRUCTION PLATE

OPERATING INSTRUCTIONS

Copy of the Lighting Plate instructions for the GR57H and GR58H.

FOR YOUR SAFETY READ BEFORE LIGHTING

This appliance must be installed in accordance with local codes, if any; if not, follow the current CAN1-B149/ANSI Z 223.1-1980

WARNING: If you do not follow these instructions exactly, a fire or explosion may result causing property damage, personal injury or loss of life. Improper installation, adjustment, alteration, service or maintenance can cause injury or property damage. Refer to the owner's information manual provided with this appliance. For assistance or additional information consult a qualified installer, service agency or gas supplier.

A) This appliance has a pilot which must be lighted by hand. When lighting the pilot, follow these instructions exactly.

C) Use only your hand to push in or turn the gas control knob. Never use tools. If the knob will not push in or turn by hand, don't try to repair it, call a qualified service technician. Force or attempted repair may result in a fire or explosion.

B) BEFORE LIGHTING smell all around the appliance area for gas. Be sure to smell next to the floor because some gas is heavier than air and will settle on the floor.

D) Do not use this appliance if any part has been under water. Immediately call a qualified service technician to inspect the appliance and to replace any part of the control system and any gas control which has been under water.

WHAT TO DO IF YOU SMELL GAS


- Do not try to light any appliance
- Do not touch any electric switch, do not use any phone in your building
- Immediately call your gas supplier from a neighbour's phone. Follow the gas supplier's instructions.
- If you cannot reach your gas supplier, call the fire department.

This appliance needs fresh air for safe operation and must be installed so there are provisions for adequate combustion and ventilation air.


CAUTION: Hot while in operation. Do not touch. Due to high surface temperatures keep children, clothing and furniture, away. Keep burner and control compartment clean. See installation and operating instructions accompanying appliance.

LIGHTING INSTRUCTIONS

STOP! Read the safety information above on this label.


1) Push in gas control knob slightly and turn clockwise  to "OFF". Knob cannot be turned from "PILOT" to "OFF" unless knob is pushed in slightly. Do not force.

2) Wait five (5) minutes to clear out any gas. If you then smell gas STOP! follow "B" in the safety information above on this label. If you don't smell gas, go to the next step.

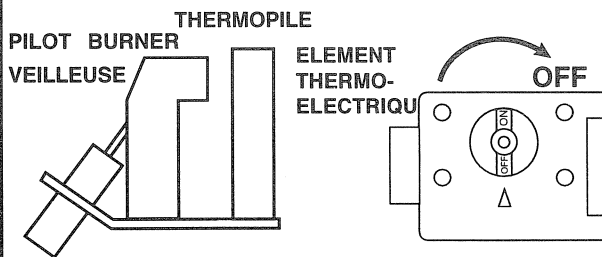
3) Turn knob on gas control counterclockwise  to "PILOT".

4) Push in control knob all the way and hold in. Immediately push red button on spark igniter until pilot lights. Continue to hold the control knob in for about 1/2 minute after the pilot is lit. Release knob and it will pop back up. Pilot should remain lit. If it goes out, repeat steps 3) and 4).


If knob does not pop up when released, stop and immediately call your service technician or gas supplier. If the pilot will not stay lit after several tries, turn the gas control knob to "OFF" and call your service technician or gas supplier.

5) Turn gas control knob counterclockwise  to "ON".

6) Use rocker switch to operate main burner.



TO TURN OFF GAS APPLIANCE

1) Push in the gas control knob slightly and turn  clockwise to "OFF". Do not force.

2) Turn off all electric power to the appliance if service is to be performed.

DO NOT REMOVE THIS INSTRUCTION PLATE

OPERATING INSTRUCTIONS

- 3) Wait five minutes to allow gas, that may have accumulated in the main burner compartment, to escape. If you do smell gas, follow the instructions on the front of this manual. If you don't smell gas continue on to the next step.
- 4) Turn the gas control counterclockwise to "PILOT".
- 5) Push in control knob all the way and hold in. Immediately push red button on spark igniter until pilot lights. Continue to hold the control knob in for approximately one minute, then release the gas control knob. The pilot flame should continue to burn. If the pilot does not remain lit, repeat operation allowing a longer period before releasing gas control knob.
- 6) Turn gas control knob counterclockwise to "ON".
- 7) Use rocker switch to operate main burner.
- 8) Rotate the flame height regulator to adjust the flame height higher or lower.

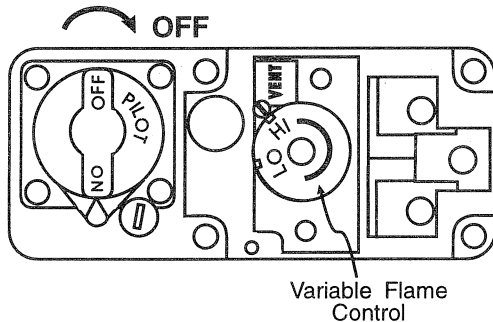
SHUTDOWN PROCEDURE FOR (GR57H / GR58H)

- 1) Use the rocker switch to turn off the main burner.
- 2) Push in the gas control knob slightly and turn clockwise to "OFF". Do not force.
- 3) Turn off all electric power to the appliance if service is to be performed.

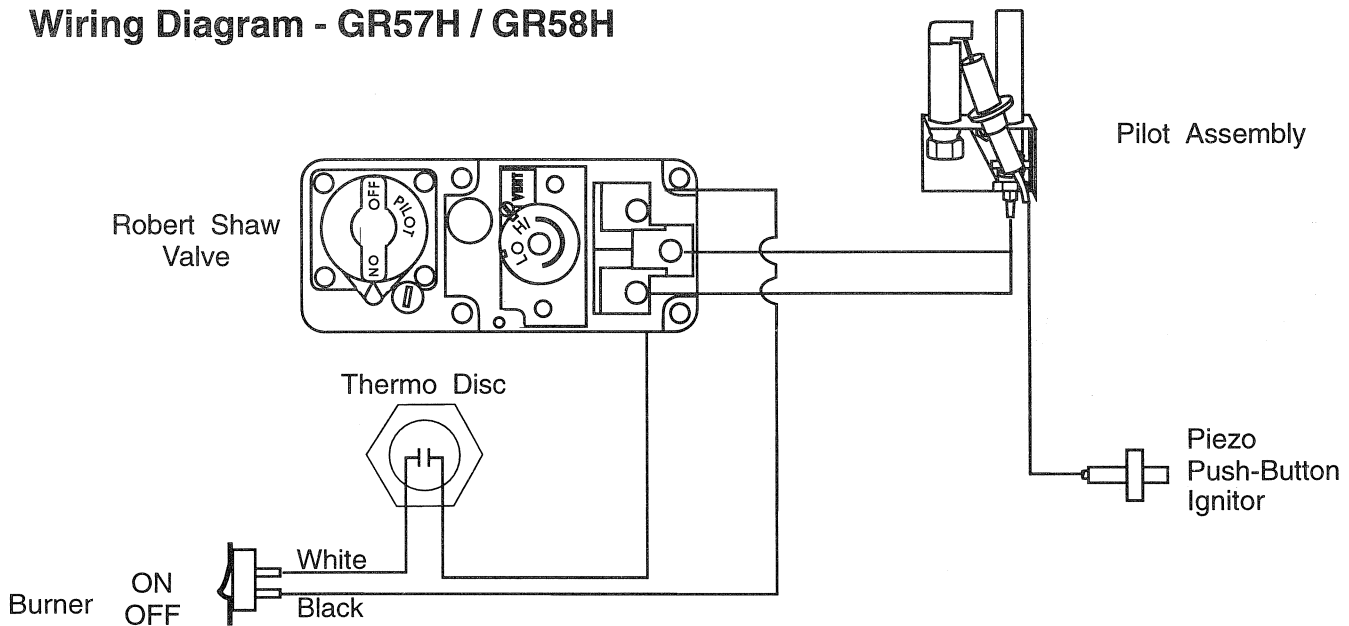
FIRST FIRE

The first fire in your stove is part of the paint curing process. To ensure that the paint is properly cured, light the unit and leave it on for 5 minutes and let it cool down for 30 minutes. Repeat 3 or 4 times. When first operated, the unit will release an odour caused by the curing of the paint, the burning off of any oils remaining from manufacturing and burning off the starch in the gas logs.

The glass panel will require cleaning after the unit has cooled down. **DO NOT ATTEMPT TO CLEAN THE GLASS WHILE IT IS HOT.**



Wiring Diagram - GR57H / GR58H



MAINTENANCE INSTRUCTIONS

Keep the burner and control compartment clean by brushing and vacuuming at least once a year. Always turn off the valve before cleaning.

Visually check the flame of the burner periodically, making sure the flames are steady; not lifting or floating. The flame colour should be blue with yellow tips.

The appliance and venting system should be inspected before use, and at least annually, by a qualified field service person, to ensure that the flow of combustion and ventilation air is not obstructed.

Keep the area near the appliance clear and free from combustible materials, gasoline and other flammable vapours and liquids.

WARNING: CHILDREN AND ADULTS SHOULD BE ALERTED TO THE HAZARDS OF HIGH SURFACE TEMPERATURE AND SHOULD STAY AWAY TO AVOID BURNS OR CLOTHING IGNITION. YOUNG CHILDREN SHOULD BE CAREFULLY SUPERVISED WHEN THEY ARE IN THE SAME ROOM AS THE APPLIANCE.

CAUTION: ANY SAFETY SCREEN OR GUARD REMOVED FOR SERVICING AN APPLIANCE MUST BE REPLACE PRIOR TO OPERATING THE APPLIANCE.

CLOTHING OR OTHER FLAMMABLE MATERIAL SHOULD NOT BE PLACED ON OR NEAR THE APPLIANCE.

NOTE: Each time the appliance is lit, it may cause condensation and fog the glass. This condensation and fog will disappear in a few minutes.

Never operate the appliance without the glass properly secured in place or with the door open.

Log Replacement

After opening door, logs can be lifted out of position. If for any reason one should need replacement, you must use the proper replacement log. The position of these logs must be as shown in the diagram under Replacement Parts. **NOTE: Improper positioning of logs may create carbon build-up and will alter the unit's performance.**

Gold-Plated Doors

The gold electroplated finish on the door requires little maintenance, and need only be cleaned with a damp cloth. **DO NOT** use abrasive materials or chemical cleaners, as they may harm the finish and void the warranty.

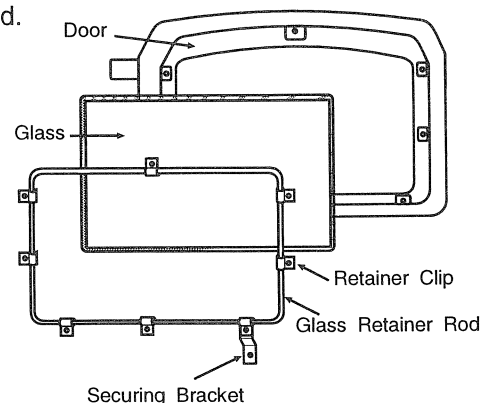
Glass Replacement

Your Regency stove is supplied with 5 mm Neoceram ceramic glass that will withstand the highest heat that your unit will produce. In the event that you break your glass by impact, purchase your replacement from an authorized Regency dealer only, and follow our step-by-step instructions for replacement. See page 6 for diagram.

Glass Removal

- 1) Allow the stove to cool before removing or replacing glass.
- 2) To remove the door from the stove remove the securing screw located between the ashlip and the door, then unfasten the latch.
- 3) Lay the door on a flat soft surface.
- 4) Remove the screws in the glass retainer clips and remove the glass retainer. Remove any remaining pieces of glass and ensure that the door is free of debris. Use caution when removing broken glass to avoid injury.
- 5) Install the replacement glass as in Steps 2) to 5) of the Glass and Door Installation Instructions on page 7. When placing the replacement glass in the door, make sure that the glass gasketing will properly seal your unit. Replace the retainer and tighten securely, but do not wrench down on the glass as this may cause breakage.

Do not use substitute materials. If your glass does break, do not continue to use your unit until it has been replaced.



MAINTENANCE

Door Gasket

If the door gasket requires replacement 5/8" diameter material must be used. A proper high temperature gasket adhesive is required. See your Regency Dealer

Latch Adjustment

The door latch may require adjustment as the door gasket material compresses after a few fires. Removal of the spacer washer, shown in the diagram below, will allow the latch to be moved closer to the door frame, causing a tighter seal. Remove and replace the nuts, washer and spacer as shown.

Parts List

| | |
|---------|--|
| 570-961 | GR77HP Valve Assembly-Natural Gas-SIT |
| 580-961 | GR78HP Valve Assembly - Propane - SIT |
| 471-960 | GR57HP Valve Assembly-Natural Gas-R.S. |
| 481-960 | GR58HP Valve Assembly - Propane - R.S. |
| 471-960 | GR57HL Valve Assembly-Natural Gas-R.S. |
| 481-960 | GR58HL Valve Assembly - Propane - R.S. |
| 902-136 | Front Log |
| 902-132 | Rear Log |
| 902-134 | Top Cross Log |
| 846-302 | Glass |
| 846-515 | Fan (Optional) |

WARRANTY

Regency Fireplace Products, are designed with reliability and simplicity in mind. In addition, our internal Quality Assurance Team carefully inspects each unit thoroughly before it leaves our door. Regency Industries Ltd. is pleased to extend this limited lifetime warranty to the original purchaser of a Regency Product.

The Warranty: Lifetime

Covered under the agreement are the following components:

Combustion chamber, heat exchanger, burner tubes, logs, embers, glass (thermal breakage) and all gold plating.

The above will be covered for parts and labour for the first five years and parts only thereafter. Electrical components such as blowers, switches, wiring, thermodiscs, remote control, thermopiles, thermocouples and gas valves are covered for one year from the date of purchase.

Conditions:

All installations must be performed by a qualified gas fitter and installed according to all applicable local and national codes. Also, all service work must be carried out by a qualified gas service person. It is the responsibility of the installer to ensure that the appliance is firing as per rating plate. Any part or parts of this unit which in our judgement show evidence of such defect will be repaired or replaced at Regency's option, through an accredited distributor or agent provided that the defective part be returned to the distributor or agent Transportation Prepaid, if requested.

Exclusions:

This limited Lifetime Warranty does not extend to or include paint, door or glass gasketing or trim. It does not cover installation and operational related problems such as over-firing, downdrafts or spillage caused by environmental conditions, nearby trees, buildings, hilltops, mountains, inadequate venting or ventilation, excessive offsets, negative air pressures caused by insufficient make up air, mechanical systems such as furnaces, fans, clothes dryers etc.

The warranty does not extend to any part or parts which show evidence of misuse or abuse, neglect, accident or lack of maintenance.

Products made by other manufacturers and used in conjunction with the operation of this appliance without authorization from Regency, may nullify your warranty on this product.

Regency Industries Ltd., shall in no event be liable for any special, indirect consequential damages of any nature whatsoever which are in excess of the original purchase price of the product. Any alteration to the unit which causes sooting or carboning that results in damage to the exterior facia is not the responsibility of Regency Industries Ltd.

General:

It is essential that all submitted claims provide all of the necessary information including purchase date, serial #, type of unit and part or parts requested.

Please complete the information below for future reference.

DATE PURCHASED _____

MODEL NO. _____ SERIAL NO. _____

DEALERS NAME & ADDRESS _____

