

Owners & Installation



Zero Clearance Room Sealed Gas Fireplace



Manual

STYLE	MODEL	
See Thru	P121-NG	P121-LPG
Left Corner	P121LC-NG	P121LC-LPG
Right Corner	P121RC-NG	P121RC-LPG
Pier	P131-NG	P131-LPG

PLEASE KEEP THESE INSTRUCTIONS FOR FUTURE REFERENCE

WARNING:

Improper installation, adjustment, alteration, service or maintenance can cause injury or property damage. Refer to this manual. For assistance or additional information consult an authorized installer, service agency or the gas supplier.

FOR YOUR SAFETY

Do not store or use gasoline or other flammable vapours and liquids in the vicinity of this or any other appliance.

Installation and service must be performed by an authorized installer, service agency or the gas supplier.

FOR YOUR SAFETY

What to do if you smell gas:

- Do not try to light any appliance
- Do not touch any electrical switch: do not use any phone in your building.
- Immediately call your gas supplier from a neighbour's phone. Follow the gas supplier's instructions.
- If you cannot reach your gas supplier, call the fire department.

LISTINGS AND CODE APPROVALS

These gas appliances have been tested in accordance with AS4553-2000, NZS 5262 and have been certified by the Australian Gas Association for installation and operation as described in these Installation and Operating Instructions.

Your unit should be serviced annually by an authorised service person.

To the New Owner:

Congratulations!

You are the owner of a state-of-the-art Gas Fireplace by REGENCY®. The P121/P121LC/P121RC/P131 is a hand crafted appliance and has been designed to provide you with all the warmth and charm of a wood fireplace at the flick of a switch. The model P121/P121LC/P121RC/P131 has been approved by the Australian Gas Association for both safety and efficiency. As it also bears our own mark, it promises to provide you with economy, comfort and security for many trouble free years to follow. Please take a moment now to acquaint yourself with these instructions and the many features of your Regency® Fireplace.

IMPORTANT:

If the unit is to be installed into a bathroom, optional Neo ceramic glass Part# 360-946 Front or Part# 360-948 Side must be purchased and installed in place of the tempered glass supplied with the unit.



SAFETY LABEL

This is a copy of the label that accompanies each REGENCY P121/P121LC/P121RC/P131 Zero Clearance Room Sealed Gas Fireplace. We have printed a copy of the contents here for your review. The safety label is located on the front inside base of the unit, visible when the bottom louver is open.

NOTE: Regency® units are constantly being improved. Check the label on the unit and if there is a difference, the label on the unit is the correct one.

Regency Gas Fireplace

Model	○	○	○	○	
Gas Type	NG	LPG	NG	LPG	
Model	P121-NG	P121-LPG	P131-NG	P131-LPG	
Gas Consumption	41mj.	38mj.	41mj.	38mj.	
Manifold Pressure	1.00kPa	2.65kPa	1.00kPa	2.65kPa	
Injector Size	1x#31 3.05mm	1x#50 1.78mm	1x#31 3.05mm	1x#50 1.78mm	
	AGA 6379 G		AGA 6379 G		
AS4553					

Distributed by:

Western Australia:
Air Group Australia
28 Division St
Welshpool WA 6106

Eastern Australia:
Fireplace Products
Australia Pty. Ltd.
1 Conquest Way
Hallam, VIC 3803

To be installed by an authorised person in accordance with installation instructions provided with the appliance.

Electrical: 240VAC 50Hz 1.0 amp max.

N2134

Serial Number 248

918-181d

DO NOT OPERATE THIS APPLIANCE BEFORE READING THE INSTRUCTIONS BOOKLET.
DO NOT PLACE ARTICLES ON OR AGAINST THIS APPLIANCE
DO NOT STORE CHEMICALS OR FLAMMABLE MATERIALS NEAR THIS APPLIANCE.
DO NOT SPRAY AEROSOLS IN THE VICINITY OF THIS APPLIANCE WHILE IN OPERATION.
DO NOT OPERATE WITH PANELS, COVERS OR GUARDS REMOVED FROM THIS APPLIANCE.
DO NOT ENCLOSE THIS APPLIANCE.
DO NOT MODIFY THIS APPLIANCE.

908-602a

IMPORTANT: SAVE THESE INSTRUCTIONS

The Regency® P121/P121LC/P121RC/P131-NG or P121/P121LC/P121RC/P131-LPG Room Sealed Gas Fireplace must be installed in accordance AS5601-2004 and NZS 5261 and with these instructions. Carefully read all the instructions in this manual first. Consult the "authority having jurisdiction" to determine the need for a permit prior to starting the installation. It is the responsibility of the installer to ensure this fireplace is installed in compliance with manufacturer's instructions and all applicable codes.

BEFORE YOU START

Safe installation and operation of this appliance requires common sense, however, we are required to make you aware of the following:

INSTALLATION AND REPAIR SHOULD BE DONE BY A AUTHORIZED SERVICE PERSON. THE APPLIANCE SHOULD BE INSPECTED BEFORE USE AND AT LEAST ANNUALLY BY A AUTHORIZED SERVICE PERSON. MORE FREQUENT CLEANING MAY BE REQUIRED DUE TO EXCESSIVE LINT FROM CARPETING, BEDDING MATERIAL, ETC. IT IS IMPERATIVE THAT CONTROL COMPARTMENTS, BURNERS AND CIRCULATING AIR PASSAGEWAYS OF THE APPLIANCE BE KEPT CLEAN.

DUE TO HIGH TEMPERATURES, THE APPLIANCE SHOULD BE LOCATED OUT OF TRAFFIC AND AWAY FROM FURNITURE AND DRAPERIES.

WARNING: FAILURE TO INSTALL THIS APPLIANCE CORRECTLY WILL VOID YOUR WARRANTY AND MAY CAUSE A SERIOUS HOUSE FIRE.

CLOTHING OR OTHER FLAMMABLE MATERIAL SHOULD NOT BE PLACED ON OR NEAR THE APPLIANCE.

CHILDREN AND ADULTS SHOULD BE ALERTED TO THE HAZARDS OF HIGH SURFACE TEMPERATURES, ESPECIALLY THE FIREPLACE GLASS, AND SHOULD STAY AWAY TO AVOID BURNS OR CLOTHING IGNITION.

YOUNG CHILDREN SHOULD BE CAREFULLY SUPERVISED WHEN THEY ARE IN THE SAME ROOM AS THE APPLIANCE.

GENERAL SAFETY INFORMATION

- 1) The appliance shall be installed in accordance with the manufacturer's installation instructions, local gas fitting regulations, municipal building codes, water supply regulations, electrical wiring regulations, with AG 5601-2004 (AGA gas installation code) NZS 5261 (New Zealand).
- 2) See general construction and assembly instructions. The appliance and flue should be enclosed.
- 3) This appliance must be connected to the specified flue and termination cap to the outside of the building envelope. Never flue to another room or inside a building. Make sure that the flue is fitted as per Flueing instructions.
- 4) Inspect the flueing system annually for blockage and any signs of deterioration.
- 5) Flueing terminals shall not be recessed into a wall or siding.
- 6) Any safety glass removed for servicing must be replaced prior to operating the appliance.
- 7) To prevent injury, do not allow anyone who is unfamiliar with the operation to use the fireplace.
- 8) Wear gloves and safety glasses for protection while doing required maintenance.
- 9) Be aware of electrical wiring locations in walls and ceilings when cutting holes for termination.
- 10) Under no circumstances should this appliance be modified. Parts that have to be removed for servicing should be replaced prior to operating this appliance.
- 11) Installation and any repairs to this appliance should be done by a authorized service person. A authorized service person should be called to inspect this appliance annually. Make it a practice to have all of your gas appliances checked annually.
- 12) Do not slam shut or strike the glass door.
- 13) Under no circumstances should any solid fuels (wood, paper, cardboard, coal, etc.) be used in this appliance.

- 14) The appliance area must be kept clear and free of combustible materials, (gases and other flammable vapours and liquids).

Emissions from burning wood or gas could contain chemicals known to the State of California to cause cancer, birth defects or other reproductive harm.

INSTALLATION CHECKLIST

Note: These units are non-load bearing.

- 1) Locate appliance
 - a) Room location, page 8.
 - b) Clearances to Combustibles, page 9.
 - c) Mantle Clearances, page 9.
 - d) Framing & Finishing Requirements, page 10.
 - e) Flueing Requirements, pages 11-19.
- 2) Assemble Top Standoffs, page (NOTE: page 11 must be done before installing unit into fireplace.)
- 3) Install flue, pages 19-21.
- 4) Make gas connections. Test the pilot. Must be as per diagram. Page 22.
- 5) Install log set where indicated on page 24-25.
- 6) Glass Door Removal (page 26), Louvers or Grills (page 26), and Finishing Trim (page 26).
- 7) Install optional Wall Switch, Remote Control, or Wall Thermostat, page 27.
- 8) Final check.

Before leaving this unit with the customer, the installer must ensure that the appliance is firing correctly and operation fully explained to customer.

This includes:

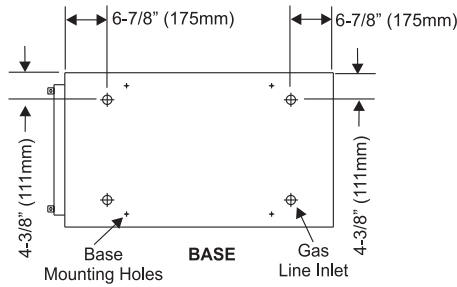
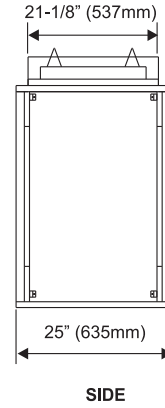
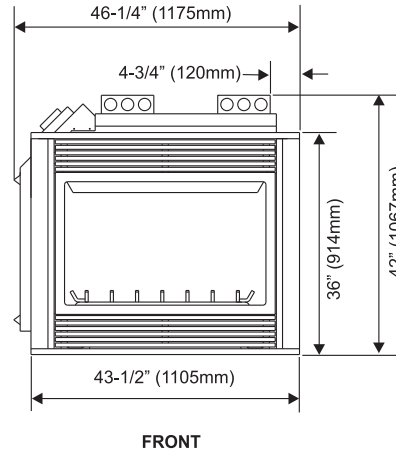
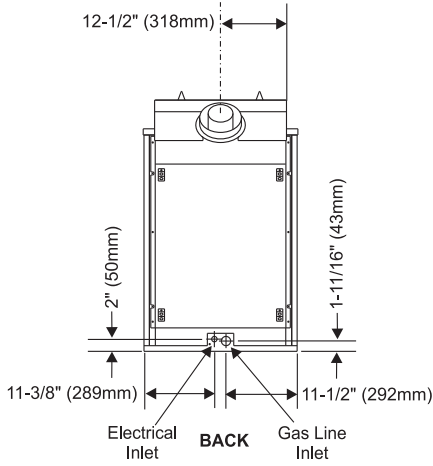
- 1) Clocking the appliance to ensure the correct firing rate (rate noted on label 40,000 Btu/h NG, and 39,000 Btu/h LPG) after burning appliance for 15 minutes.
- 2) If required, adjusting the primary air to ensure that the flame does not carbon. First allow the unit to burn for 15-20 min. to stabilize.

CAUTION: Any alteration to the product that causes sooting or carboning that results in damage is not the responsibility of the manufacturer.

INSTALLATION

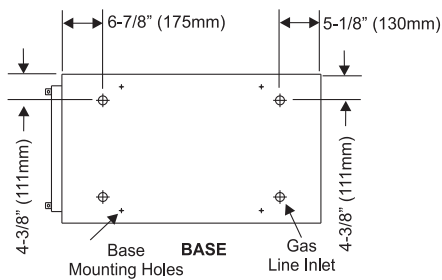
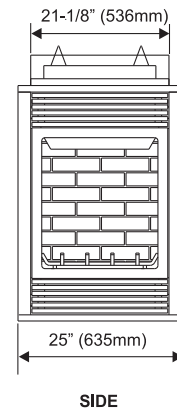
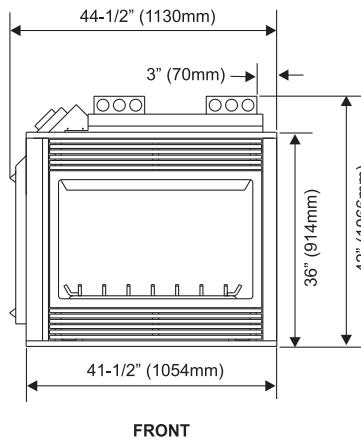
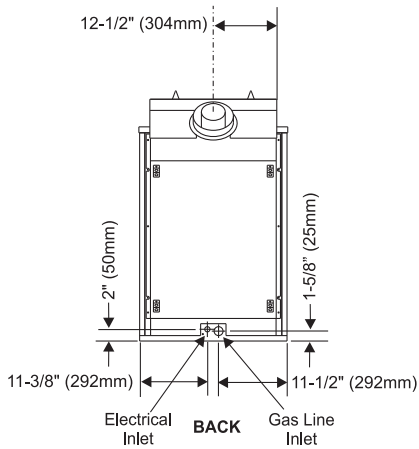
SPECIFICATIONS

P121 - See Thru

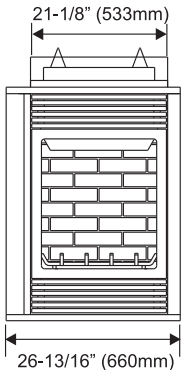


Note: These units are non-load bearing.

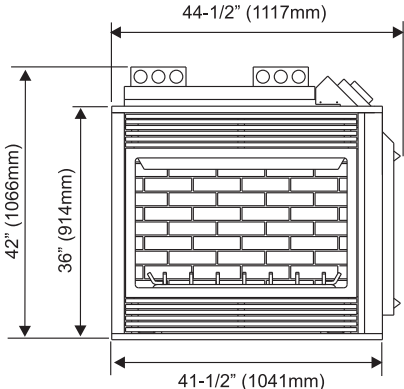
P131 - Pier



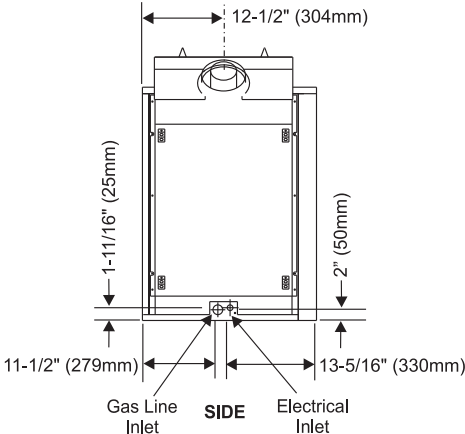
P121LC - Left Corner Unit



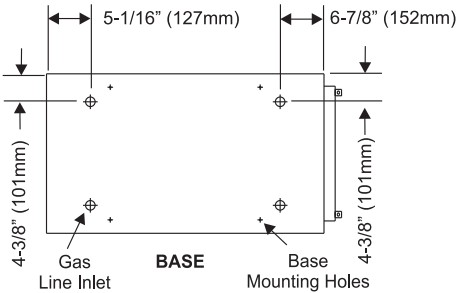
BACK



FRONT



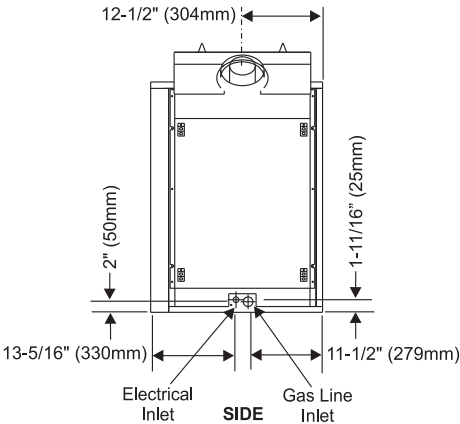
SIDE



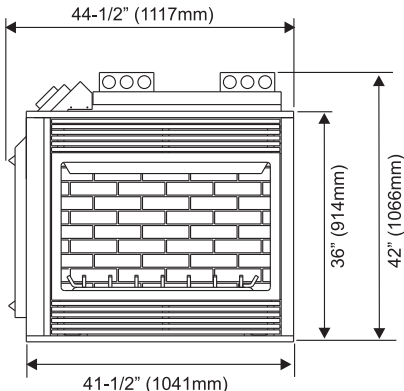
BASE

Note: These units are non-load bearing.

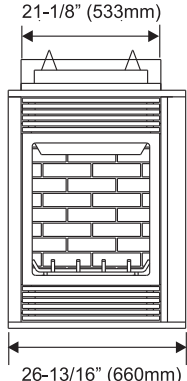
P121RC - Right Corner Unit



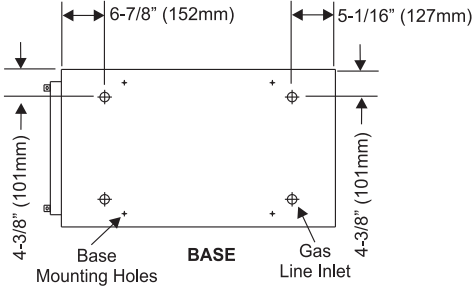
SIDE



FRONT



BACK



BASE

INSTALLATION

LOCATING YOUR GAS FIREPLACE

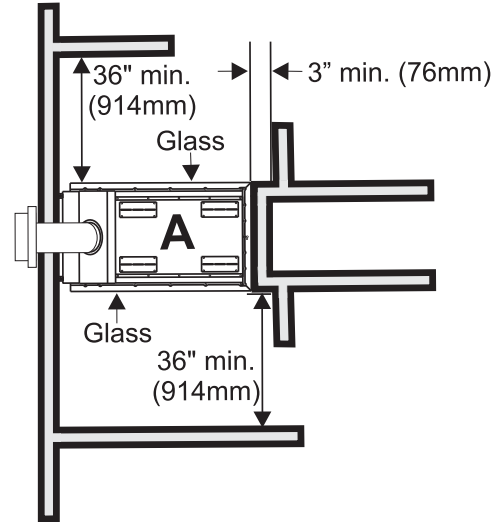
- 1) When selecting a location for your stove, ensure that the clearances are met as outlined on page 9.
- 2) Provide adequate clearances for servicing.
- 3) The appliance must be installed on a flat, solid, continuous surface (e.g. wood, metal, concrete). This may be the floor, or raised up on a platform to enhance its visual impact. If the appliance is going to be installed on carpeting, combustible linoleum tile or other combustible material other than wood flooring, the appliance must be installed on a metal or wood panel extending the full width and depth of the appliance.
- 4) The Room Sealed Gas Fireplace can be installed as follows:

Model #	Position
A)	P121: See Thru
B)	P131: Pier
C)	P121LC: Left Corner
D)	P121RC: Right Corner

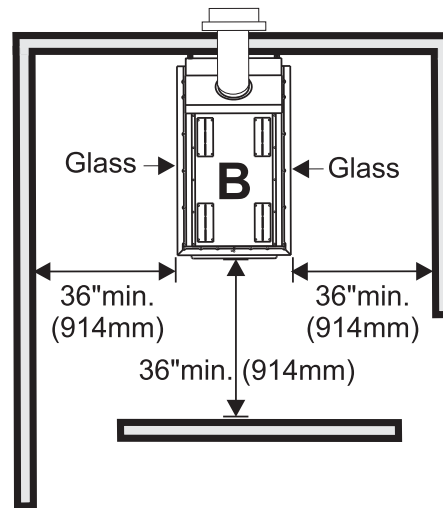
- 5) This appliance is Listed for bedroom installations when used with a Listed Millivolt Thermostat. Some areas may have further requirements, check local codes before installation.
- 6) The P121/P121LC/P121RC/P131 Room Sealed Gas Fireplace is approved for alcove installations, which meet the clearances listed on this page.
- 7) We recommend that you plan your installation on paper using exact measurements for clearances and floor protection before actually installing this appliance. Have a authorized inspector, dealer, or installer review your plans before installation.

Note: For Exterior Flue Termination Locations see page 12.

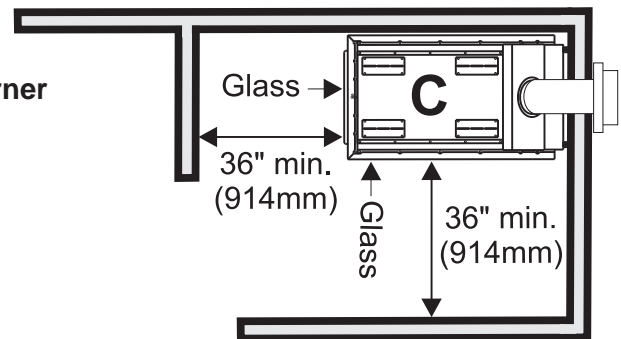
A) P121 - See Thru



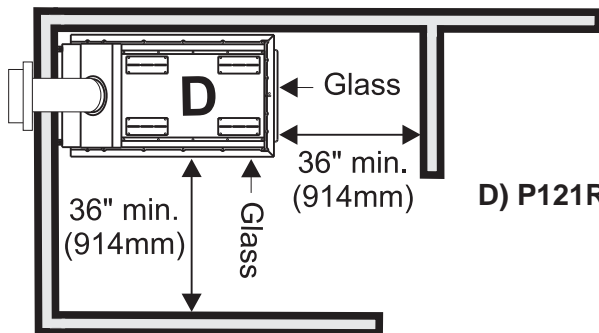
B) P131 - Pier



C) P121LC - Left Corner



D) P121RC - Right Corner



CLEARANCES

The clearances listed below are Minimum distances unless otherwise stated (refer to diagrams on page 8):

Clearance to Combustibles from:

Back	0"	(0mm)
Side	0"	(0mm)
Floor	0"	(0mm)

CAUTION REQUIREMENTS: The top, back and sides of the fireplace are defined by standoffs. The metal ends of the standoffs may **NOT** be recessed into combustible construction.

Determine the total thickness of the finished floor (eg. tile, carpet, slate) to allow the finished surface to be flush with the base of the unit.

Ceiling Height from Floor 72" (1828mm)

Mantel Height from Base of Unit:
39" min. (991mm)

Horizontal Flue Clearances:

Top	2-1/2"	(64mm)
Side	1-1/2"	(38mm)
Bottom	1-1/2"	(38mm)

Vertical Flue Clearances 1-1/4" (32mm)

WARNING:
Fire hazard is an extreme risk if these clearances (air space) to combustible materials are not adhered to. It is of greatest importance that this fireplace and flue system be installed only in accordance with these instructions.

COMBUSTIBLE MANTELS

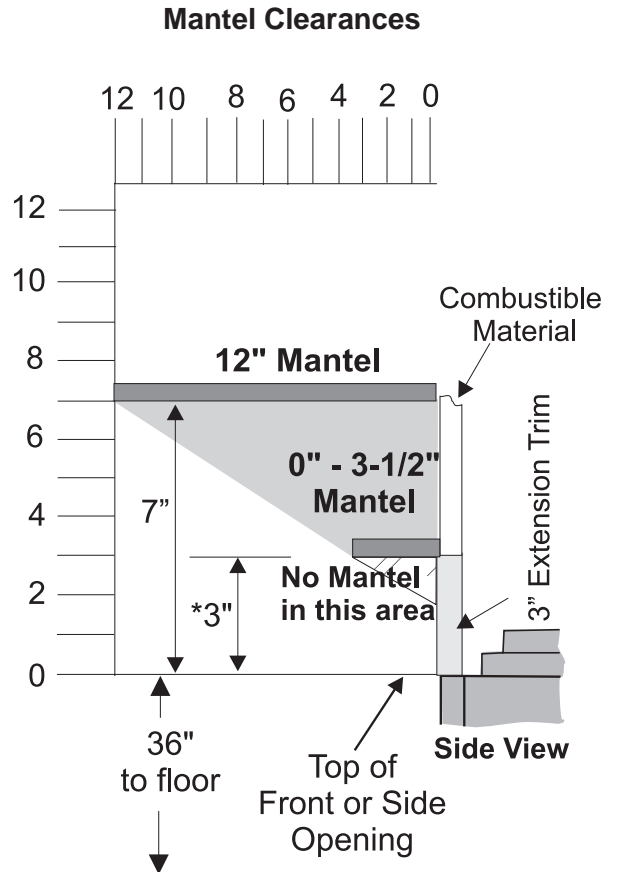
Because of the extreme heat this fireplace emits, the mantel clearances are critical. Combustible mantel clearances from top of unit are shown in Diagram to the right.

Note: A non-combustible mantel may be installed at a lower height if the framing is made of metal studs covered with a non-combustible board.

This drawing is to scale at 1:6 (one inch = 6 inches)
Mantel can be installed anywhere in shaded area or higher using this scale.

Caution: Ensure the paint that is used on the mantel and the facing is "heat resistant" or the paint may discolour.

* If the 3" (76mm) metal extension trim is removed it must be replaced with a 8" (203mm) non-combustible material.



INSTALLATION

FRAMING AND FINISHING

- For ease of installation, frame your fireplace after it is positioned and the flue system is installed. Remember to install the top standoffs. See page 11 for assembly. Use 2x4's and frame to local building codes.

CAUTION: Verify your fireplace dimensions, framing methods and finished wall facing details before framing. Determine the total thickness of facing material - drywall plus ceramic tiles, slate, etc. Allow the finish surface to be flush with the front or side of the unit. Total facing thickness can vary from 1/2" (13mm) to 1-1/4" (32mm) thick.

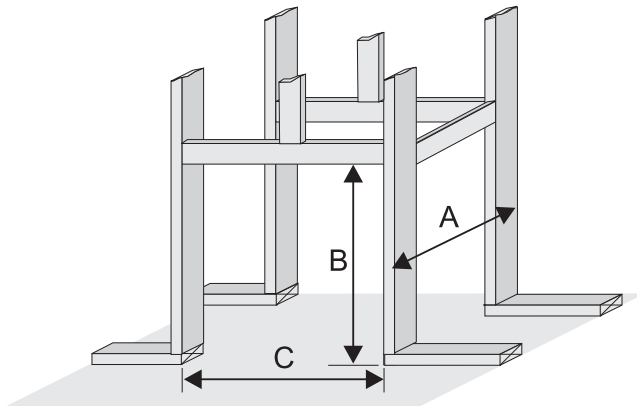
- When locating your appliance on an exterior wall or in a chase, apply a vapour barrier and drywall, as per local building codes. **DO NOT INSULATE THE FIREPLACE ITSELF.**

CAUTION: The unit does not have to be completely enclosed in a chase. The clearance on top of the unit is 0" to the standoffs so combustible building materials can be laid directly on top of the standoffs. You must maintain clearance from the flue to combustible materials for both rigid and flex, see Flue Clearances, page 9.

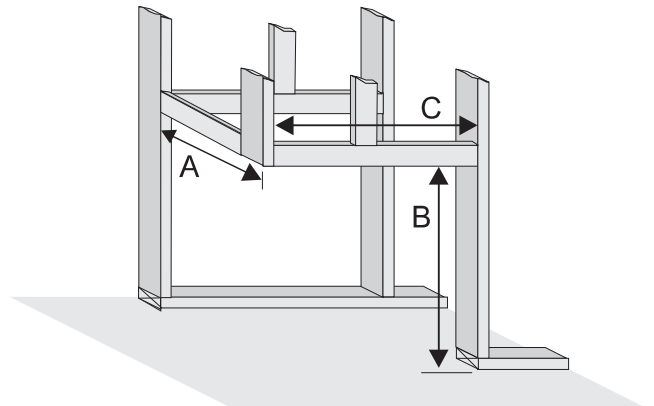
Framing Dimensions			
	P121 (See Thru)	P131 (Pier)	P121LC / P121RC (Corner Unit)
A	25"(635mm) minus two times the finishing material thickness*	25"(635mm) minus two times the finishing material thickness*	26-13/13"(660mm) minus two times the finishing material thickness*
B	42-1/2"(1080mm)	42-1/2"(1080mm)	42-1/2"(1080mm)
C	46-3/4"(1187mm)	45" (1143mm) minus one time the finishing material thickness*	45"(1143mm) minus one time the finishing material thickness*

* Finish material thickness includes: drywall, ceramic tile, slate, etc.

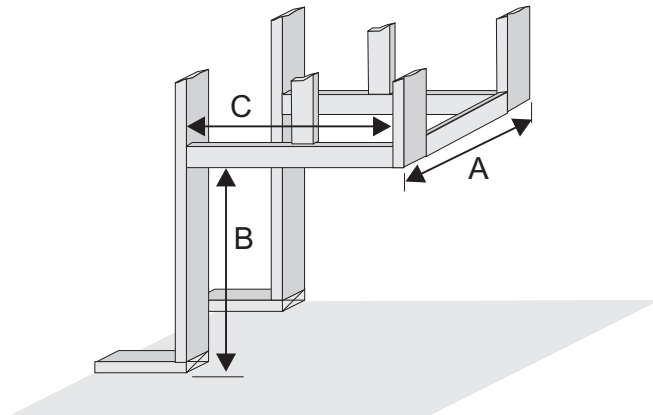
P121 - See Thru



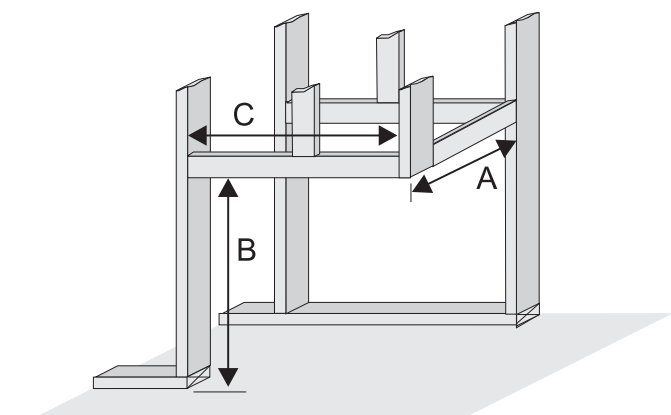
P121LC - Corner Unit



P131 - Pier



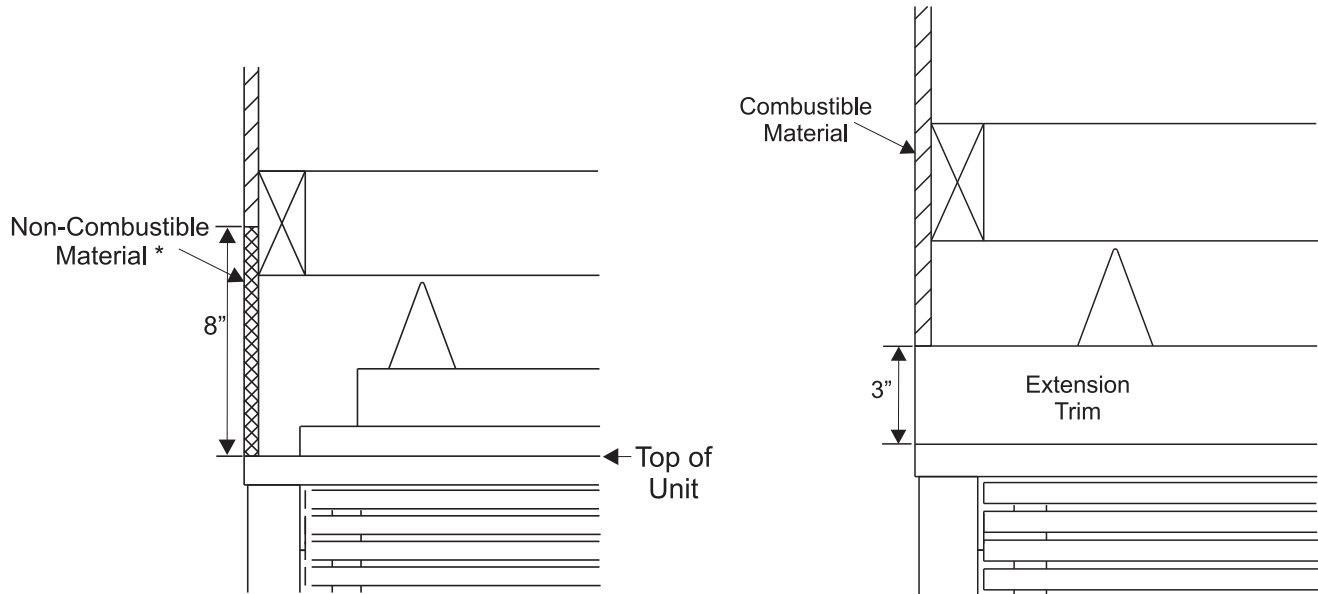
P121RC - Corner Unit



Note: These units are non-load bearing.

FACING & FINISHING REQUIREMENTS

This fireplace is supplied with a 3" metal extension trim above the fireplace. The extension trim may be replaced if the framing is faced with a non-combustible material placed flush with the front and side face of the unit and extending from the top of the unit. (ie. tile, slate, etc.)



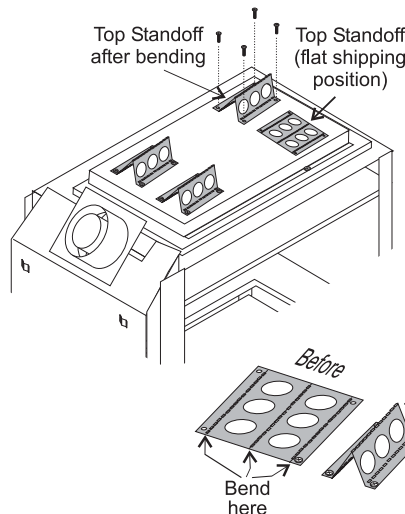
UNIT ASSEMBLY PRIOR TO INSTALLATION

The 4 Top Standoffs must be correctly positioned and attached to the top before unit is slipped into position.

Top Standoff Assembly

The top standoffs are shipped in a flat position and must be folded into shape and attached.

- 1) Remove the standoffs from the fireplace top.
- 2) Take each standoff and bend into the correct shape. Bend up at the bend lines until the screw holes in the standoff and the pre-punched screw holes on the fireplace top line up.
- 3) Attach the standoff securely to the top with 4 screws per standoff (on opposite corners).



FLUEING INTRODUCTION

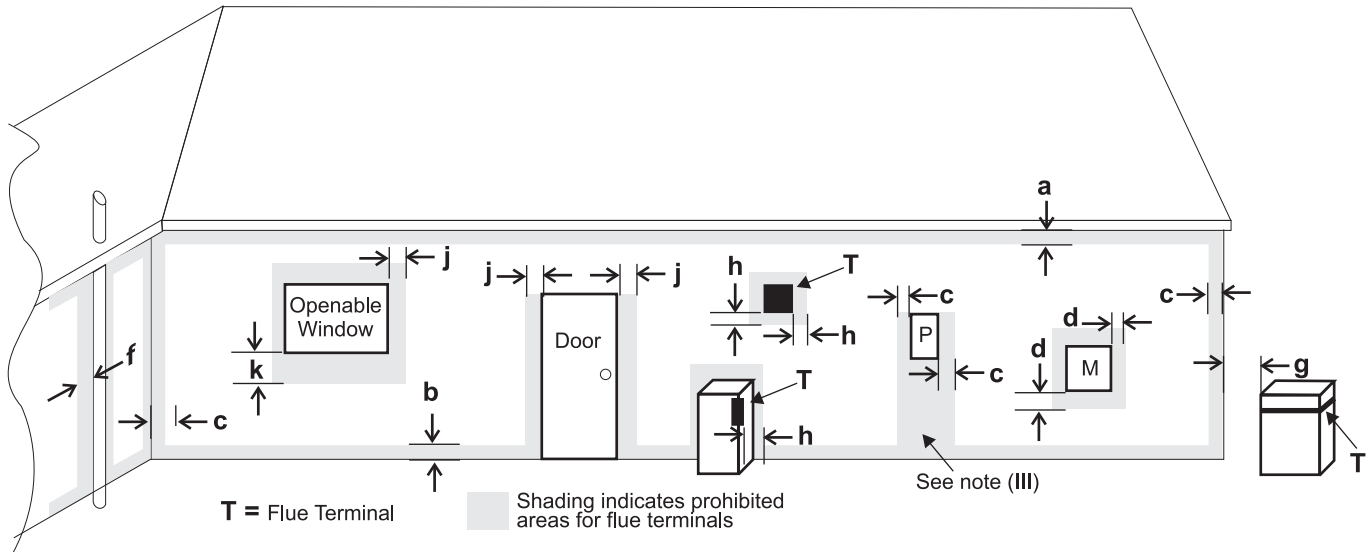
The P121/P121LC/P121RC/P131 uses the "balanced flue" technology Co Axial system. The inner liner flue products of combustion to the outside while the outer liner draws outside combustion air into the combustion chamber thereby eliminating the need to use heated room air for combustion and losing warm room air up the chimney.

Note: *These flue pipes must not be connected to any other appliance.*

The gas appliance and flue system must be flued directly to the outside of the building, and never be attached to a chimney serving a separate solid fuel or gas burning appliance. Each direct flue gas appliance must use its own separate flue system. Common flue systems are prohibited.

INSTALLATION

EXTERIOR FLUE TERMINATION LOCATIONS



Minimum clearances required for balanced flue terminals or the flue terminals of outdoor appliances according to AG 5601-2004 (AGA gas installation code) or NZS 5261 (New Zealand)

Clearance (mm)	Minimum
a Below eaves, balconies or other projections:	
- Appliances up to 50 MJ/h input	300
- Appliances over 50 MJ/h input	500
b From the ground or above a balcony	300
c From a return wall or external corner	500
d From a gas meter (M)	1000
e From an electricity meter or fuse box (P)	500
f From a drain or soil pipe	150
g Horizontal from any building structure (unless appliance is approved for closer installation) or obstruction facing a terminal	500
h From any other flue terminal, cowl or combustion air intake	500
j Horizontally from an openable window, door, or non-mechanical air inlet, or any other opening into a building, with the exception of sub-floor ventilation (see also Note (I)):	
- Appliances up to 150 MJ/h input	500
- Appliances over 150 MJ/h input	1500
k Vertically below an openable window, door, or non-mechanical air inlet, or any other opening into a building, with the exception of sub-floor ventilation (see also Note (I)): see table below	

Clearance 'k' in mm			
Space Heaters	All Other Appliances		
Up to 50 MJ/h input	Up to 50 MJ/h input	Over 50 MJ/h input to 150 MJ/h input	Over 150 MJ/h input
150	500	1000	1500

NOTES:

- (I) For mechanical air inlets, including spa blowers, the clearance 'j' and 'k' shall be 1500 mm in all cases.
- (II) All distances shall be measured vertically or horizontally along the wall to a point in line with the nearest part of the terminal.
- (III) Prohibited area below electricity meter or fuse box extends to ground level.
- (IV) A flue terminal of this type shall not be located under a roofed area unless the roofed area is fully open on at least two sides and a free flow of air at the appliance is achieved.

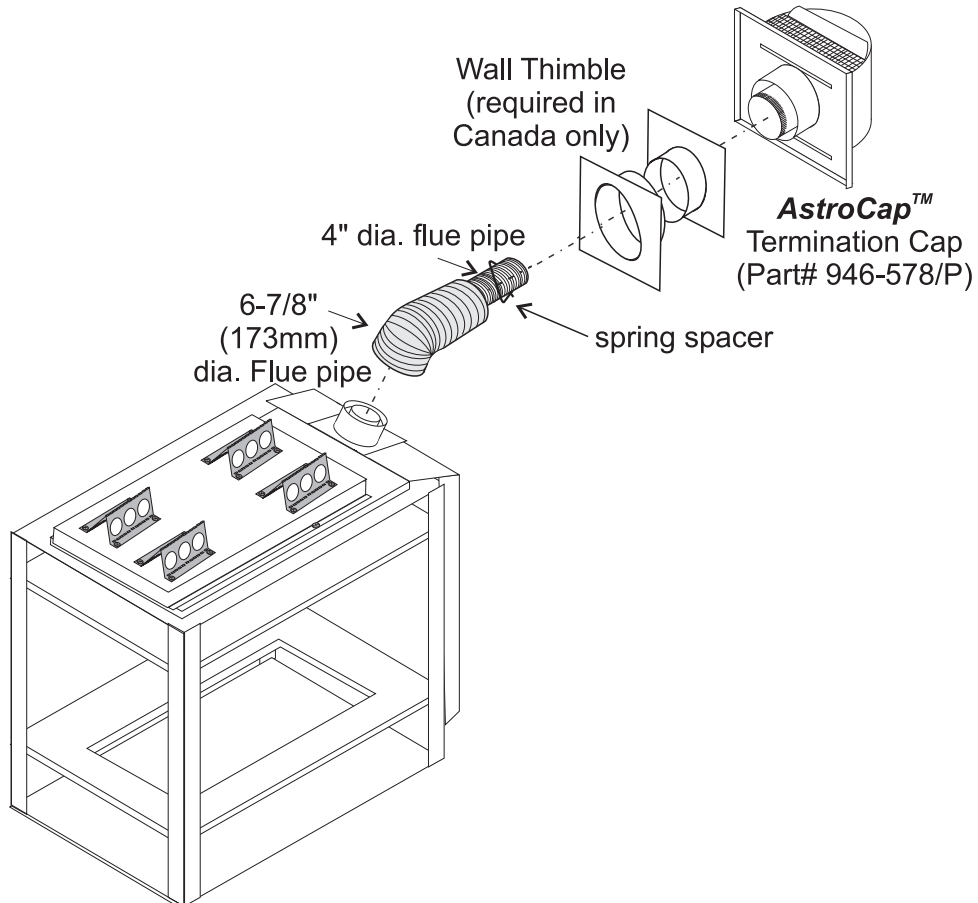
FLUEING ARRANGEMENT - HORIZONTAL TERMINATIONS

Regency® Direct Vent System (Flex) Horizontal Terminations Only

These flueing systems, in combination with the P121/P121LC/P121RC/P131 Direct Vent Gas Fireplace, have been tested and listed as a direct flue heater system by Warnock Hersey. The location of the termination cap must conform to the requirements in the Vent Terminal Locations diagram on page 12.

Regency® Direct Vent (Flex) System Termination Kit (Part# 946-513) includes all the parts needed to install the P121/P121LC/P121RC/P131 with a maximum run of 2 feet.

- 1) 6-7/8" dia. flexible liner (2 ft. length)
- 2) 4" dia. flexible liner (2 ft. length)
- 3) spring spacers (3)
- 4) thimble (2)
- 5) **AstroCap** termination cap (1)
- 6) screws (12)
- 7) tube of Mill Pac (1)
- 8) plated screws (8)
- 9) screws #8 x 1-1/2" drill point, stainless steel (4)



Notes:

- 1) Liner sections should be continuous without any joints or seams.
- 2) Only Flex pipe purchased from Regency® may be used for Flex installations.
- 3) Regency® Direct Vent System (Flex) is only approved for horizontal terminations.

INSTALLATION

SIMPSON DURA-VENT FLUEING *Horizontal or Vertical Terminations*

The Simpson Dura-Vent Direct Vent System offers a complete line of component parts for installation of both horizontal and vertical installations. Many items are offered in decorative black, as well as galvanized finish. We recommend using the galvanized finish for installation with the P121/P121LC/P121RC/P131.

The minimum components required for a basic horizontal termination are:

- 1 Simpson Duravent Adaptor
- 1 Horizontal Termination Cap
- 1 45° Elbow
- 1 Flue Adaptor
- 1 Wall Thimble
- 1 Length of pipe to suit wall thickness (see chart)

standoff, to create a level surface to mount the vent terminal. The Terminal must not be recessed into siding. Measure the wall thickness including furring strips.

If a Vinyl Siding Standoff is required (it must be used with vinyl siding), measure to outside surface of wall without siding and add 2 inches.

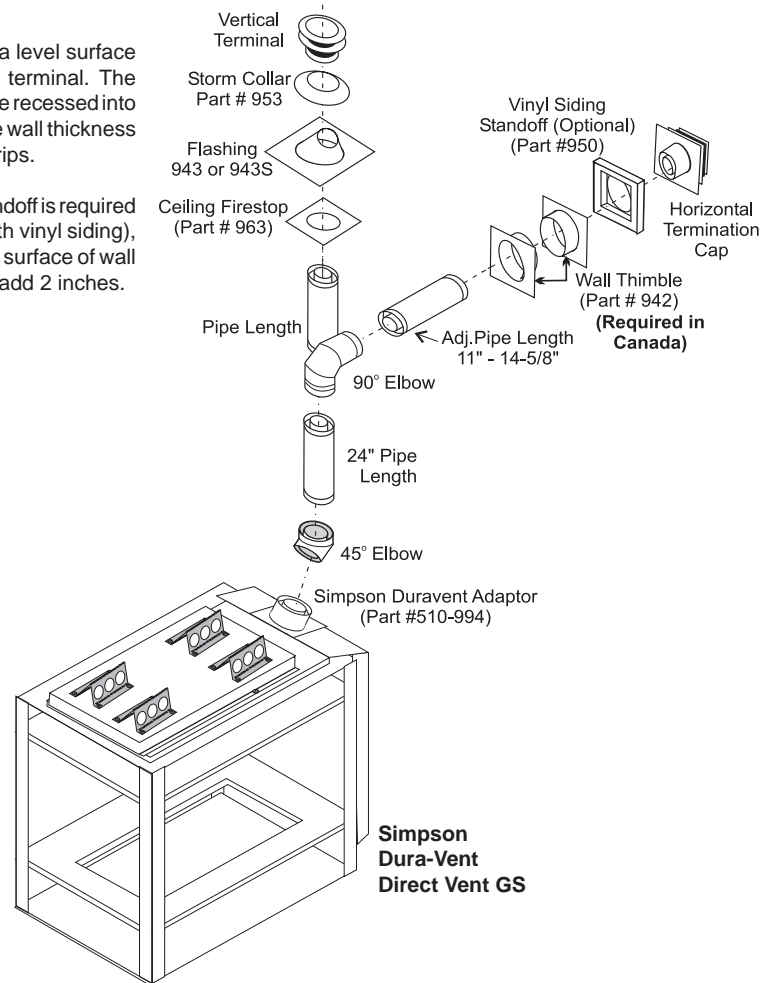
Wall thickness is measured from the back standoffs to the inside mounting surface of termination cap. For siding other than vinyl furring strips may be used, instead of the vinyl siding

Flat Wall Installation	
Wall Thickness (inches)	Vent Length Required (inches)
4" - 5-1/2"	6"
7" - 8-1/2"	9"
10" - 11-1/2"	12"
9" - 14-1/2"	11" - 14-5/8" Adj. Pipe
15" - 23-1/2"	17" - 24" Adj. Pipe

The Regency® AstroCap™ is certified for installations using FPI venting systems as well as Simpson Dura-Vent® and Direct Vent GS.

Regency®, and Regency® AstroCap™ are the proprietary trademarks of FPI Fireplace Products International Ltd.

Dura-Vent® and Direct Vent GS are registered and/or proprietary trademarks of Simpson Dura-Vent Co. Inc.



SIMPSON DURA-VENT FLUEING COMPONENTS LIST

All Simpson Dura-Vent components are available directly from Regency®.

Part # Description

- 971 Horiz. Termination Kit includes: 90° black elbow, wall thimble cover, horiz. square termination cap, 24" black pipe, and 11" -14" 5/8" adjustable black pipe
- 970 Basic Horiz. Termination. Kit includes: 90° black elbow, wall thimble cover, horiz. square termination cap
- 978 Vert. Termination Kit includes 0/12 - 6/12 pitch adjustable flashing, storm collar, low profile term. cap
- 908B 6" Pipe Length - Black
- 907B 9" Pipe Length - Black
- 90612" Pipe Length - Galv.
- 906B 12" Pipe Length - Black
- 90424" Pipe Length - Galv.
- 904B 24" Pipe Length - Black
- 90336" Pipe Length - Galv.
- 903B 36" Pipe Length - Black

Part # Description

- 90248" Pipe Length - Galv.
- 902B 48" Pipe Length - Black
- 911B 11"-14 5/8" Adjustable Pipe Length - Black
- 917B 17"- 24" Adjustable Length - Black
- 94545° Elbow - Galv.
- 945B 45° Elbow - Black
- 945G 45° Elbow - Swivel - Galv.
- 945BG 45° Elbow - Swivel - Black
- 99090° Elbow - Galv.
- 990B 90° Elbow - Black
- 990G 90° Elbow - Swivel - Galv.
- 990BG 90° Elbow - Swivel - Black
- 991 High Wind Termination Cap (Vertical)
- 980 Vertical Termination Cap
- 984 Horizontal Square Termination Cap
- 985 Horiz. Square High Wind Termination Cap
- 982 Snorkel - 14" Rise Termination Cap

Part # Description

- 981 Snorkel - 36" Rise Termination Cap
- 940 Wall Thimble - Support/Box
- 941 Cathedral/Ceiling - Support/Box
- 3951 Brass Trim for Wall Thimble/Ceiling Sup.
- 963 Firestop Spacer
- 943 Flashing 0/12-6/12
- 943S Flashing 7/12-12/12
- 953 Storm Collar
- 950 Vinyl Siding Standoff
- 988 Wall Strap
- 942 Wall Thimble
- Parts not supplied by Dura-Vent**
- 946-506/P Vent Guard (Optional)
- 510-994 Dura-Vent Flue Adaptor
- 640-530/P Riser Vent Terminal
- 946-205 Vinyl Siding Shield for Riser Vent Terminal
- 946-206 AstroCap Standoff

FLUEING ARRANGEMENTS - HORIZONTAL TERMINATIONS SIMPSON DURA-VENT DIRECT VENT GS SYSTEM (LPG & NG)

The diagram below shows examples of horizontal termination arrangements using one, two, or three 90° elbows (two 45° elbows equal one 90° elbow).

Note:

- 1) A maximum of three 90° elbows are permitted.
- 2) Minimum distance between elbows is 1 ft. (305mm).

- Maintain clearances to combustibles as listed on page 9.
- Horizontal flue must be supported every 3 feet.
- Firestops are required at each floor level and whenever passing through a wall.
- Must use optional flue adapter (Part# 510-994) when using Simpson Dura-Vent pipe.
- A vent guard should be used whenever the termination is lower than the specified minimum or as per local codes.

Simpson Dura-Vent
4" inner diameter
6-5/8" outer diameter

Straight Out Horizontal Flueing

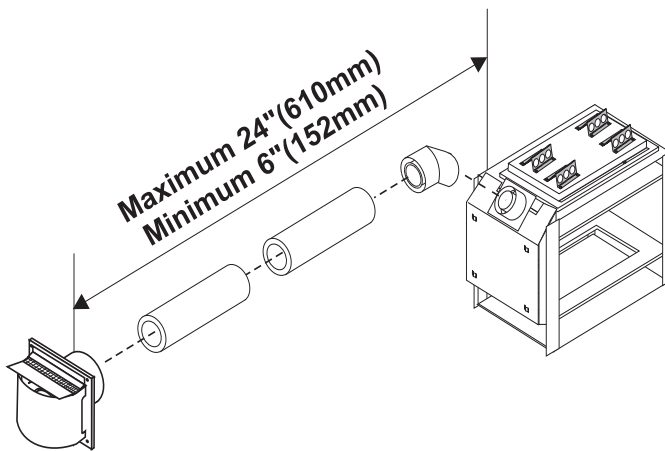
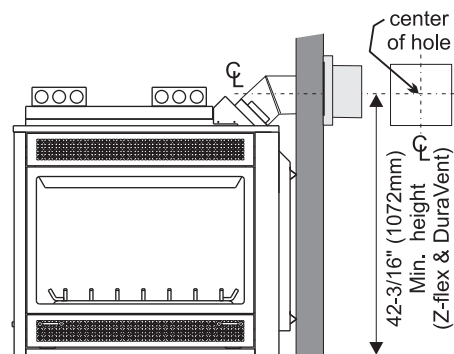


Diagram 1



Please note the minimum centerline for basic install shown above.

Horizontal Flueing with One (1) 90° Elbow

Option	V	H
A)	1' (305mm) Minimum	3' (914mm) Maximum
B)	2' (610mm) Minimum	6' (1.86m) Maximum
C)	3' (914mm) Minimum	9' (2.7m) Maximum
D)	4' (1.22m) Minimum	12' (3.6m) Maximum
E)	5' (1.5m) Minimum	15' (4.5m) Maximum
F)	6' (1.86m) Minimum	17' (5.1m) Maximum

With the above options, maximum total pipe length is 37 feet with minimum of 6 feet total vertical and maximum 17 feet total horizontal.
Please note minimum 1 foot between 90° elbows is required.

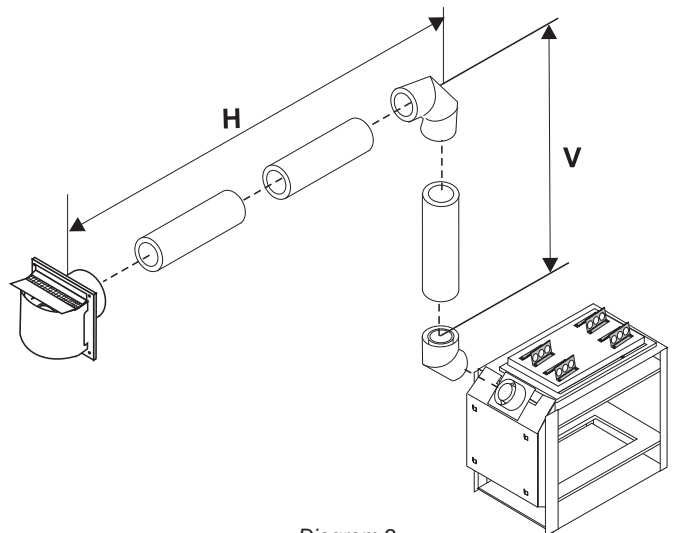


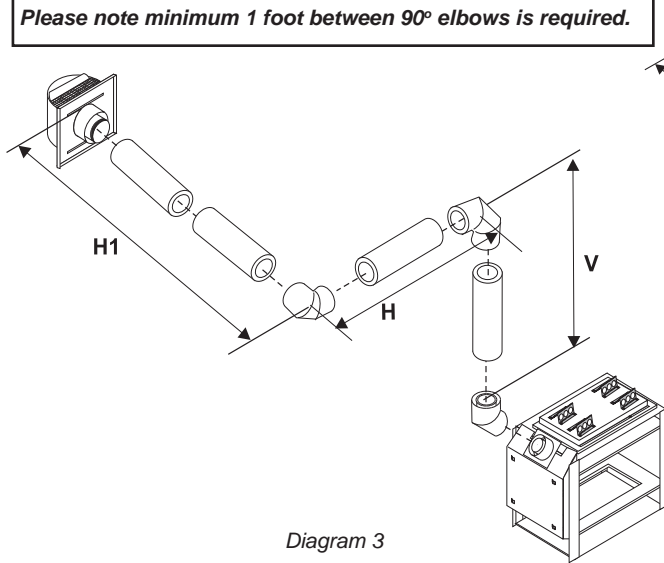
Diagram 2

INSTALLATION

Horizontal Flueing with Two (2) 90° Elbows

Option	V	H + H1
A)	1' (305mm) Minimum	2' (610mm) Maximum
B)	2' (610mm) Minimum	5' (1.5m) Maximum
C)	3' (914mm) Minimum	8' (2.4m) Maximum
D)	4' (1.22m) Minimum	11' (3.35m) Maximum
E)	5' (1.5m) Minimum	14' (4.27m) Maximum
F)	6' (1.86m) Minimum	15' (4.5m) Maximum

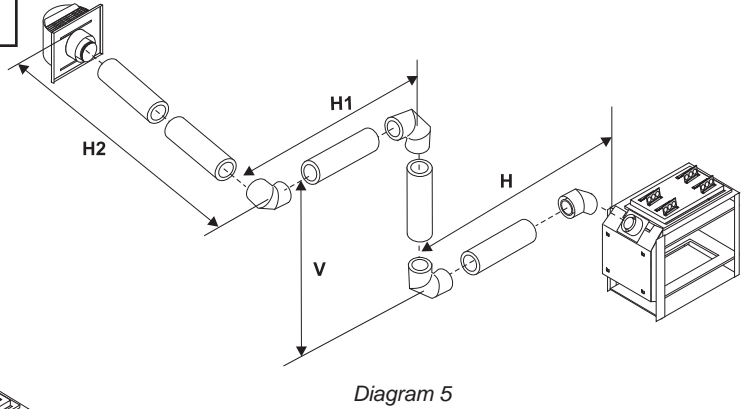
With the above options, maximum total pipe length is 37 feet with minimum of 6 feet total vertical and maximum 15 feet total horizontal.
Please note minimum 1 foot between 90° elbows is required.



Horizontal Flueing with Three (3) 90° Elbows

Option	V	H	H + H1 + H2
A)	2' (610mm) Min.	1' (305mm) Max.	3' (914mm) Max.
B)	3' (914mm) Min.	3' (914mm) Max.	6' (1.86m) Max.
C)	4' (1.22m) Min.	5' (1.5m) Max.	9' (2.7m) Max.
D)	5' (1.5m) Min.	7' (2.13m) Max.	12' (3.6m) Max.

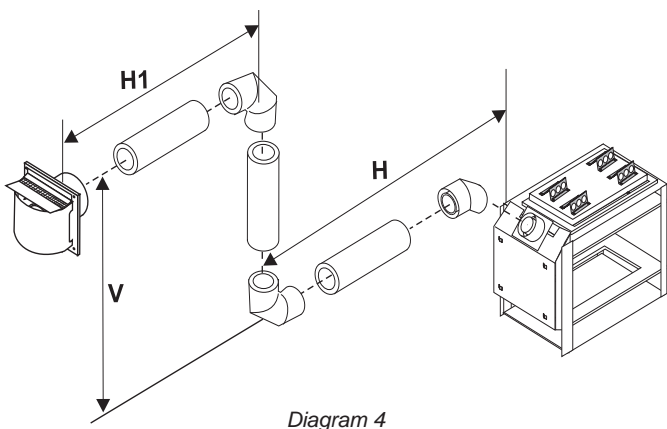
With the above options, maximum total pipe length is 37 feet with minimum of 5 feet total vertical and maximum 12 feet total horizontal.
Please note minimum 1 foot between 90° elbows is required.



Horizontal Flueing with Two (2) 90° Elbows

Option	V	H	H + H1
A)	1' (305mm) Min.	1' (305mm) Max.	3' (914mm) Max.
B)	2' (610mm) Min.	3' (0.91m) Max.	6' (1.86m) Max.
C)	3' (914mm) Min.	5' (1.5m) Max.	9' (2.7m) Max.
D)	5' (1.5m) Min.	8' (2.4m) Max.	12' (3.6m) Max.

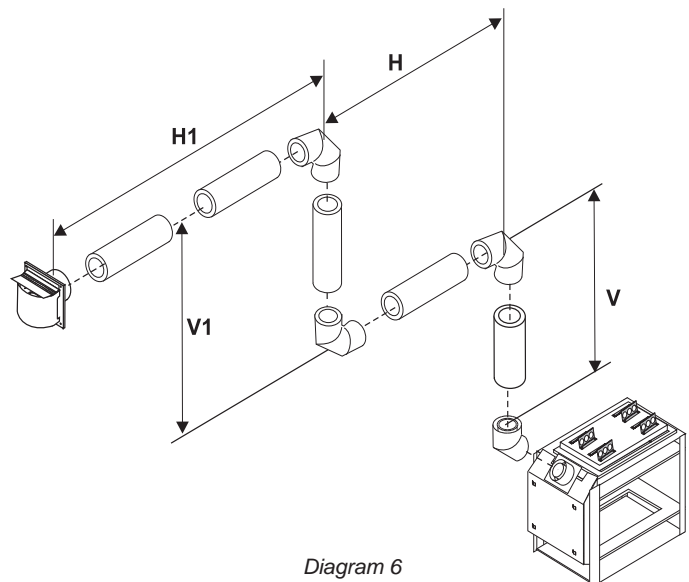
With the above options, maximum total pipe length is 37 feet with minimum of 5 feet total vertical and maximum 12 feet total horizontal.
Please note minimum 1 foot between 90° elbows is required.



Horizontal Flueing with Three (3) 90° Elbows

Option	V + V1	H + H1
A)	2' (610mm) Minimum	3' (914mm) Maximum
B)	3' (914mm) Minimum	6' (1.86m) Maximum
C)	4' (1.22m) Minimum	9' (2.7m) Maximum
D)	5' (1.5m) Minimum	12' (3.6m) Maximum

With the above options, maximum total pipe length is 37 feet with minimum of 5 feet total vertical and maximum 12 feet total horizontal.
Please note minimum 1 foot between 90° elbows is required.



FLUEING ARRANGEMENTS - VERTICAL TERMINATIONS SIMPSON DURA-VENT DIRECT VENT GS SYSTEM (LPG & NG)

- Flue must be supported at offsets
- Maintain clearances to combustibles as listed on page 9.
- Firestops are required at each floor level and whenever passing through a wall.
- Must use optional flue adapter when using Simpson Dura-Vent pipe (Part# 510-994).

The P121/P121LC/P121RC/P131 is approved for a maximum 35 ft. (10.7m) straight vertical, with **Simpson Dura-Vent Direct Vent GS** flue systems for LPG and NG, as per diagram 7 below.

Straight Up Vertical Flueing

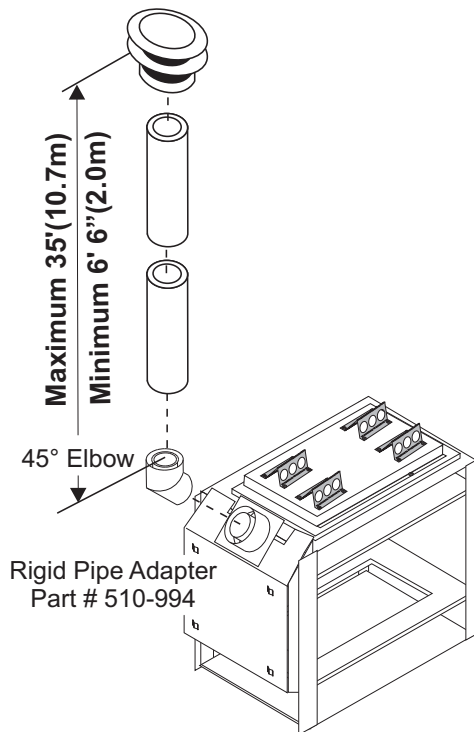


Diagram 7

Vertical Flueing with One (1) 90° Elbow

Option	V	H
A)	1' (305mm) Minimum	2' (610mm) Maximum
B)	2' (610mm) Minimum	4' (1.22m) Maximum
C)	3' (914mm) Minimum	6' (1.86m) Maximum
D)	4' (1.22m) Minimum	8' (2.4m) Maximum

With the above options, maximum total pipe length is 37 feet with minimum of 4 feet total vertical and maximum 8 feet total horizontal.
Please note minimum 1 foot between 90° elbows is required.

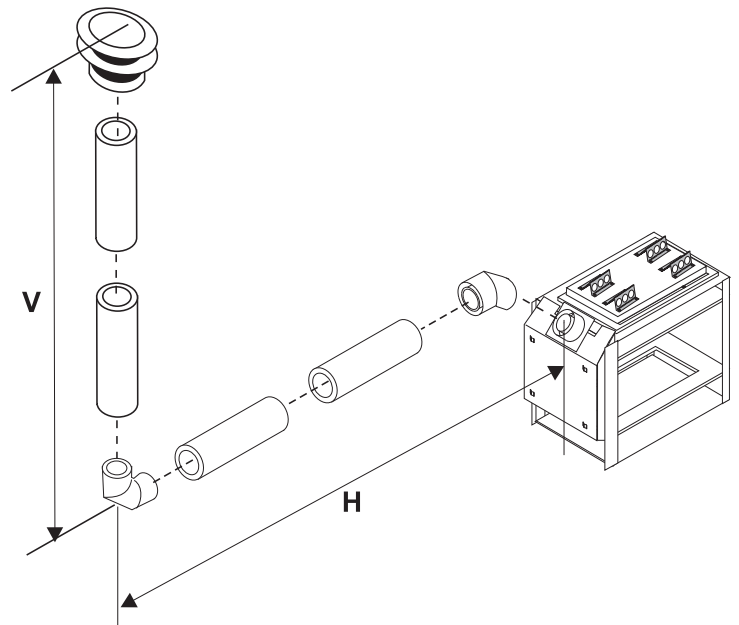


Diagram 8

INSTALLATION

Vertical Flueing with Two (2) 90° Elbows

Option	V	H
A)	1' (305mm) Minimum	4' (1.22m) Maximum
B)	2' (610mm) Minimum	6' (1.86m) Maximum
C)	3' (914mm) Minimum	9' (2.7m) Maximum
D)	4' (1.22m) Minimum	12' (3.6m) Maximum
E)	5' (1.5m) Minimum	15' (4.5m) Maximum
F)	6' (1.86m) Minimum	17' (5.1m) Maximum

With the above options, maximum total pipe length is 37 feet with minimum of 6 feet total vertical and maximum 17 feet total horizontal.
Please note minimum 1 foot between 90° elbows is required.

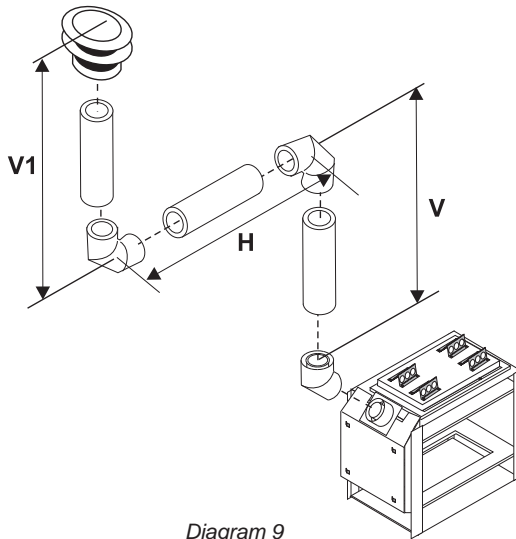


Diagram 9

Vertical Flueing with Two (2) 90° Elbows

Option	V	H + H1
A)	1' (305mm) Minimum	2' (610mm) Maximum
B)	2' (610mm) Minimum	4' (1.22m) Maximum
C)	3' (914mm) Minimum	6' (1.86m) Maximum
D)	4' (1.22m) Minimum	8' (2.4m) Maximum

With the above options, maximum total pipe length is 37 feet with minimum of 4 feet total vertical and maximum 8 feet total horizontal.
Please note minimum 1 foot between 90° elbows is required.

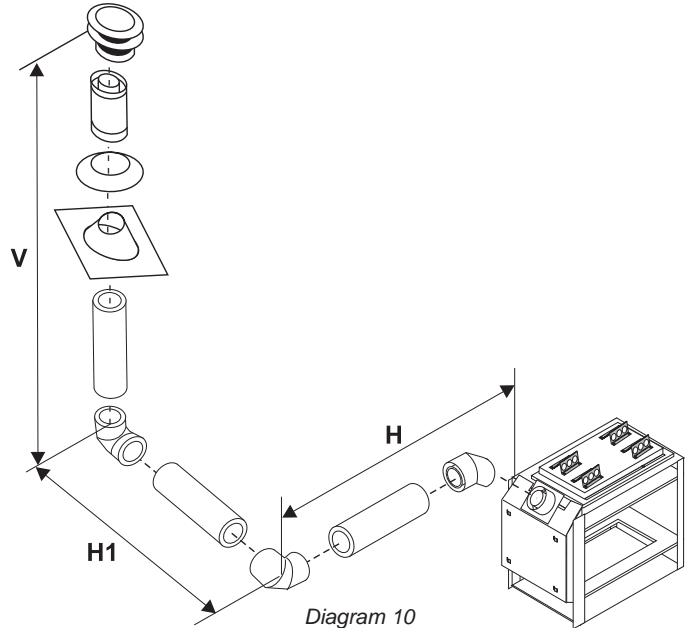


Diagram 10

Vertical Flueing with Three (3) 90° Elbows

Option	V + V1	H	H + H1
A)	2' (610mm) Min.	1' (305mm) Max.	2' (610mm) Max.
B)	3' (914mm) Min.	4' (1.22m) Max.	5' (1.5m) Max.
C)	4' (1.22m) Min.	6' (1.86m) Max.	8' (2.4m) Max.
D)	5' (1.5m) Min.	8' (2.4m) Max.	12' (3.6m) Max.

With the above options, maximum total pipe length is 37 feet with minimum of 5 feet total vertical and maximum 12 feet total horizontal.
Please note minimum 1 foot between 90° elbows is required.

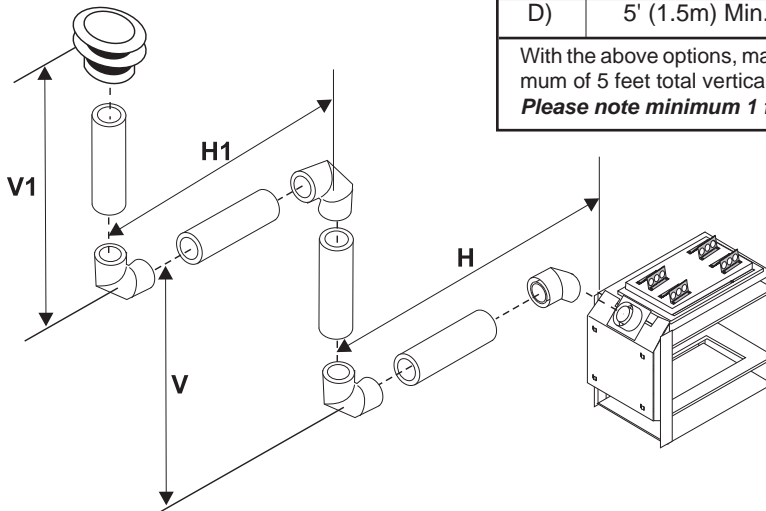
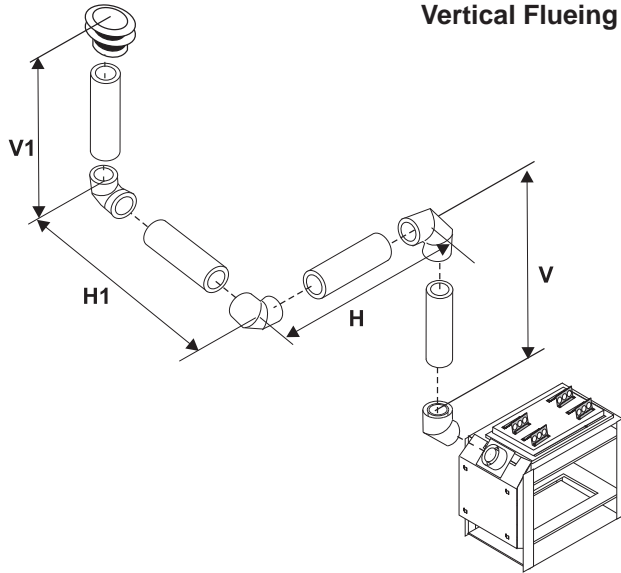


Diagram 11

Vertical Flueing with Three (3) 90° Elbows



Option	V + V1	H + H1
A)	2' (610mm) Minimum	3' (914mm) Maximum
B)	3' (914mm) Minimum	6' (1.86m) Maximum
C)	4' (1.22m) Minimum	9' (2.7m) Maximum
D)	5' (1.5m) Minimum	12' (3.6m) Maximum

With the above options, maximum total pipe length is 37 feet with minimum of 5 feet total vertical and maximum 12 feet total horizontal.
Please note minimum 1 foot between 90° elbows is required.

Diagram 12

HORIZONTAL INSTALLATIONS

Install the flue system according to the manufacturer's instructions included with the components.

- 1) Set the unit in its desired location. Check to determine if wall studs or roof rafters are in the way when the flueing system is attached. If this is the case, you may want to adjust the location of the unit. Rough in the gas.
- 2) Direct Flue pipe and fittings are designed with special twist-lock connections to connect the flueing system to the appliance flue outlet. A twist-lock appliance adaptor is an available option that must be used in conjunction with the Simpson Dura-Vent Direct Vent GS system.
- 3) Put a bead of silicone inside the outer section of the adapter and a bead of Mill Pac on the inner collar. Slip the adapter over the existing inner and outer flue collar and fasten to the outer collar only with the 3 supplied screws (drilling pilot holes will make this easier). Level the fireplace and fasten it to the framing using nails or screws through the nailing strips.
- 4) Assemble the desired combination of pipe and elbows to the appliance adaptor and twist-lock for a solid connection.

Note:

- a) Twist-lock procedure: Four indentations, located on the female ends of pipes and fittings, are designed to slide straight onto the male ends of adjacent pipes and fittings, by orienting the four pipe indentations so they match and slide in to the four entry slots on the male ends, Diagram 1. Push the pipe sections completely together, then twist-lock

one section clockwise approximately one-quarter turn, until the two sections are fully locked. The female locking lugs will not be visible from the outside, on the Black Pipe or fittings. They may be located by examining the inside of the female ends.

Note: Apply sealant "Mill-Pac" to inner pipe and high temperature silicone sealant to outer pipe on every twist-lock joint.

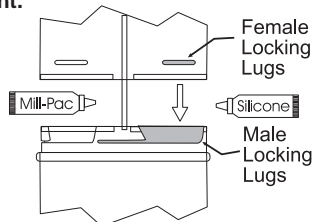


Diagram 1

- a) Horizontal runs of flue must be supported every three feet. Wall straps are available for this purpose.
- 5) Mark the wall for a 10" x 10" square hole. The center of the square hole should line up with the centerline of the horizontal pipe. Cut and frame the 10 inch square hole in the exterior wall where the flue will be terminated. If the wall being penetrated is constructed of non-combustible material, i.e. masonry block or concrete, a 7" (178mm) dia. (7-1/2" (191mm) dia. for flex) hole is acceptable.

Note: With Dura-Vent, the minimum height is achieved by installing a 45° elbow directly to the flue adaptor.

Note:

- a) The horizontal run of flue must be level, or have a 1/4 inch rise for every 1 foot of run towards the termination. Never allow the flue to run downward. This

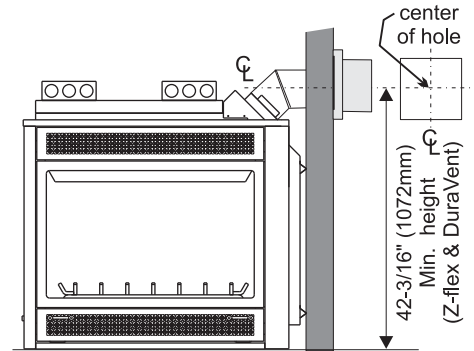


Diagram 2

could cause high temperatures and may present the possibility of a fire.

- b) The location of the horizontal flue termination on an exterior wall must meet all local and national building codes, and must not be blocked or obstructed. For External Flue Terminal Locations, see diagram on page 12.
- 6) **The arrow on the flue cap should be pointing up.** Insure that the 1-1/2" clearances to combustible materials are maintained (Diagram 3 on page 16). Install the termination cap.

The four wood screws provided should be replaced with appropriate fasteners for stucco, brick, concrete, or other types of sidings.

Note: If installing termination on a siding covered wall, a vinyl siding standoff or furring strips must be used to ensure that the termination is not recessed into the siding.

- 7) Before connecting the horizontal run of flue pipe to the flue termination, slide the Wall Thimble (Part # 942) over the flue pipe.

INSTALLATION

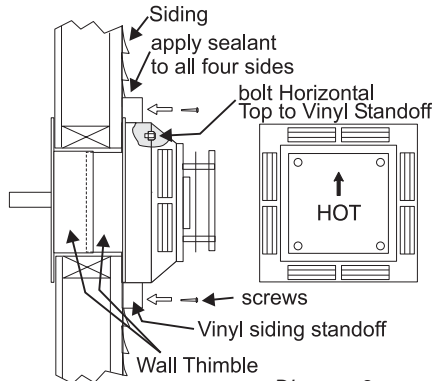


Diagram 3

VERTICAL TERMINATION

1) Maintain the 1-1/4" clearances (air spaces) to combustibles when passing through ceilings, walls, roofs, enclosures, attic rafter, or other nearby combustible surfaces. Do not pack air spaces with insulation. Check pages 17-19 for the maximum vertical rise of the flueing system and the maximum horizontal offset limitations.

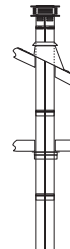


Diagram 1

2) Set the gas appliance in its desired location. Drop a plumb bob down from the ceiling to the position of the appliance flue exit, and mark the location where the flue will penetrate the ceiling. Drill a small hole at this point. Next, drop a plumb bob from the roof to the hole previously drilled in the ceiling, and mark the spot where the flue will penetrate the roof. Determine if ceiling joists, roof rafters or other framing will obstruct the flueing system. You may wish to relocate the appliance or to offset, as shown in Diagram 2 to avoid cutting load bearing members.

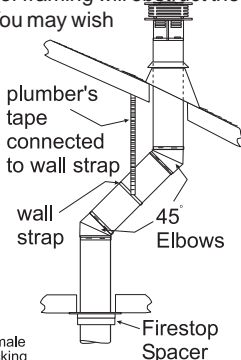
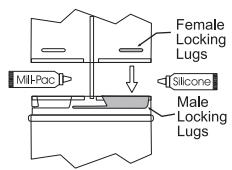


Diagram 2



Note: Apply sealant "Mill-Pac" to inner pipe and high temperature silicone sealant to outer pipe on every twist-lock joint.

3) A Firestop spacer must be installed in the floor or ceiling of every level. To install the Firestop spacer in a flat ceiling or wall, cut a 10 inch square hole. Frame the hole as shown in Diagram 3 and install the firestop.

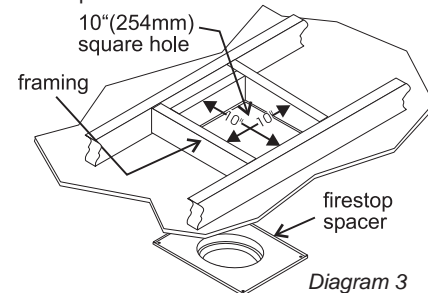


Diagram 3

4) Assemble the desired lengths of pipe and elbows. Ensure that all pipes and elbow connections are in the fully twist-locked position and sealed.

5) Cut a hole in the roof centered on the small drilled hole placed in the roof in Step 2. The hole should be of sufficient size to meet the minimum requirements for clearance to combustibles of 1-1/4". Slip the flashing under the shingles (shingles should overlap half the flashing) as per Diagram 4.

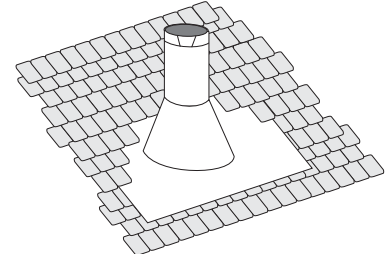


Diagram 4: The upper half of the flashing is installed under the roofing material and not nailed down until the chimney is installed. This allows for small adjustments.

6) Continue to assemble pipe lengths.

Note: If an offset is necessary in the attic to avoid obstructions, it is important to support the flue pipe every 3 feet, to avoid excessive stress on the elbows, and possible separation. Wall straps are available for this purpose (Diagram 2).

Galvanized pipe is desirable above the roofline due to its higher corrosion resistance. Continue to add pipe sections through the flashing until the height of the flue cap meets the minimum height requirements specified in Diagram 5 or local codes. Note that for

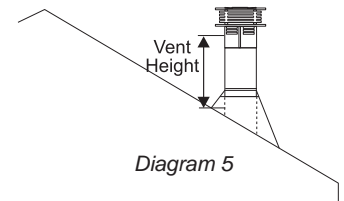


Diagram 5

Roof Pitch	Minimum Vent Height	
	Feet	Meters
flat to 7/12	2	0.61
over 7/12 to 8/12	2	0.61
over 8/12 to 9/12	2	0.61
over 9/12 to 10/12	2.5	0.76
over 10/12 to 11/12	3.25	0.99
over 11/12 to 12/12	4	1.22
over 12/12 to 14/12	5	1.52
over 14/12 to 16/12	6	1.83
over 16/12 to 18/12	7	2.13
over 18/12 to 20/12	7.5	2.29
over 20/12 to 21/12	8	2.44

8) Slide the appliance and flue assembly towards the wall carefully inserting the flue pipe into the flue cap assembly. It is important that the flue pipe extends into the flue cap sufficient distance so as to result in a minimum pipe overlap of 1-1/4 inches. Secure the connection between the flue pipe and the flue cap by attaching the two sheet metal strips extending from the flue cap assembly into the outer wall of the flue pipe. Use the two sheet metal screws provided to connect the strips to the pipe section. See Diagram 4.

9) Install wall thimble in the center of the 10" square and attach with wood screws (Diagram 5).

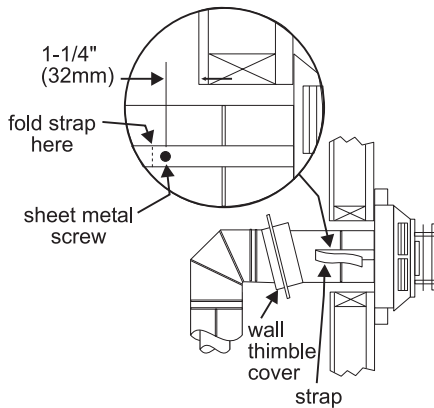


Diagram 4

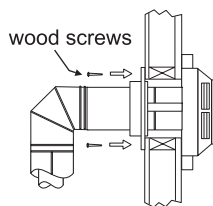


Diagram 5

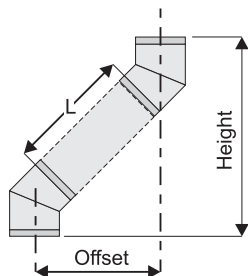
steep roof pitches, the vertical height must be increased. A poor draft, or down drafting can result from high wind conditions near big trees or adjoining roof lines, in these cases, increasing the flue height may solve the problem.

- 7) Ensure flue is vertical and secure the base of the flashing to the roof with roofing nails, slide storm collar over the pipe section and seal with a mastic.
- 8) Install the vertical termination cap by twist-locking it.

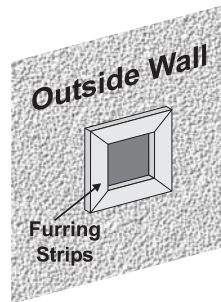
Note: Any closets or storage spaces, which the flue passes through must be enclosed.

Offset Chart

GS 6"(152mm) Nominal Diameter ID					
Offset		Pipe Length (L)		Height	
inches	mm	inches	mm	inches	mm
4 3/4	121	0	0	13 1/4	337
9	229	6	152	17 1/2	445
11 1/4	286	9	229	19 1/2	495
13 1/4	337	12	305	21 3/4	552
21 3/4	552	24	610	30 1/4	768
30 1/4	768	36	914	39	991
38	965	48	1219	47	1194



Note: To make the installation more aesthetically pleasing, we recommend framing out a square to mount the terminal to.



- 2) Level the fireplace and fasten it to the framing using nails or screws through the nailing strips.
- 3) Assemble the flue assembly by applying Mill Pac to the 4"(100mm) inner collar of the termination and slipping the 4"(100mm) liner over it at least 1-3/8" (35mm). Fasten with the 3 screws (drilling pilot holes will make this easier). Apply Mill Pac or high temperature silicone to the 6-7/8"(175mm) flex pipe and slip it over the 6-7/8" outer collar of the flue terminal at least 1-3/8"(35mm) and fasten with the 3 screws.

NOTE: Horizontal sections must be supported at intervals not exceeding 3 feet (0.9 meter). (Flame picture and performance will be affected by sags in the liner).

- 4) Separate the 2 halves of the wall thimble and securely fasten the one with the tabs to the outside wall making sure that the tabs are on top and bottom. Fasten the other thimble half to the inside wall. The thimble halves slip inside each other and can be adjusted for 2 x 4 or 2 x 6 walls. **The liners must slip over the collars a minimum of 1-3/8".**

- 5) Slip the assembled liner and termination assembly through the thimble making sure the termination cap faces up (there are markings on the cap that show which way is up). This will position the termination cap with proper down slope for draining water. Fasten the cap to the outer wall with the 4 supplied screws.
- 6) Pull the centre 4"(100mm) liner and outer 6-7/8"(175mm) liner out enough to slip over the flue collars of the fireplace. (You may wish to cut the liner shorter to make it more workable.) Do not bend liner more than 45°.
- 7) Apply Mill Pac over the fireplace inner collar and slip the 4"(100mm) liner down over it and attach with 3 supplied screws.
- 8) Do the same with the 6-7/8"(175mm) liner.
- 9) Apply a bead of silicone between the thimble and termination and around the outer edge of the terminal at the wall in order to keep the water out.

IMPORTANT: Do not locate termination hood where excessive snow or ice buildup may occur. Be sure to check flue termination area after snow falls, and clear to prevent accidental blockage of flueing system. When using snow blowers, make sure snow is not directed towards flue termination area.

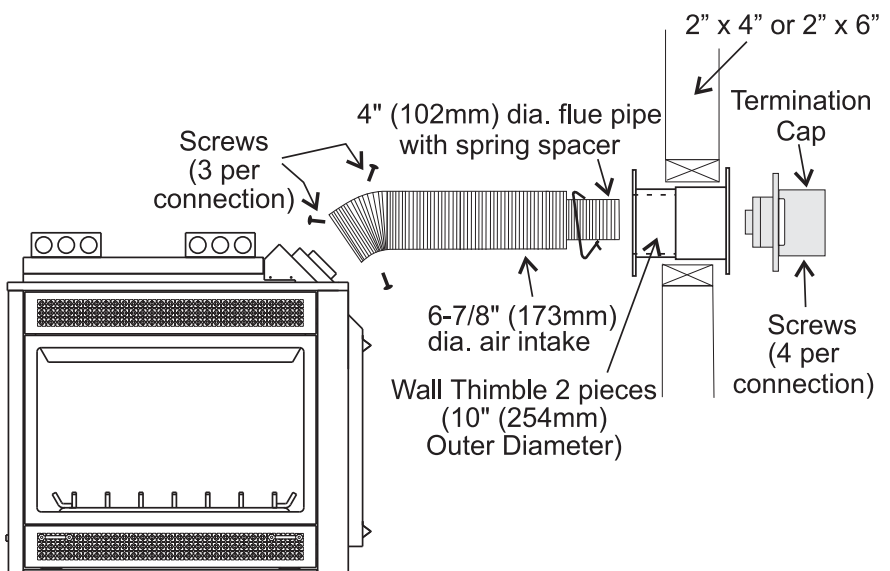
INSTALLATION PROCEDURES

for Regency® AstroCap™ Direct Flue System (Flex)

- 1) Locate the unit in the framing, rough in the gas. Locate the centerline of the termination and mark wall accordingly. Cut a 10"(254mm) hole in the wall (inside dimension).

Note: A 1-1/2"(38mm) clearance around the liner must be maintained except that only a 1" (25mm) clearance is needed at the termination end. We recommend framing a 10"(254mm) x 10"(254mm) (inside dimensions) hole to give structural rigidity for mounting the termination.

Note: If installing termination on a siding covered wall, furring strips must be used to ensure that the termination is not recessed into the siding.



INSTALLATION

Conversion Kit #360-968 from NG to LPG

THIS CONVERSION MUST BE DONE BY A QUALIFIED GAS FITTER IF IN DOUBT DO NOT DO THIS CONVERSION !!

Each LPG Conversion Kit contains:

Qty.	Part #	Description
1	904-529	5/32" Allen Key
1	904-641	Burner Orifice #50
1	918-590	Decal "Converted to LPG"
1	908-528	Red "LPG" label
1	910-037	LPG Injector (Pilot Orifice)
1	918-549	Instruction Sheet

Installation of LPG Conversion Kit:

- 1) Remove the louvers and trim kit. Remove the front door.
- 2) Remove the logs, embers.
- 3) Remove the grate by lifting straight up. Remove the side brick panels (if installed). The **brick panel is very fragile - handle with care.**



- 4) Remove the burner assembly by removing the 4 Phillips head screws and then slide the burner assembly away from the orifice and lift out (refer to Diagrams 1 and 2).

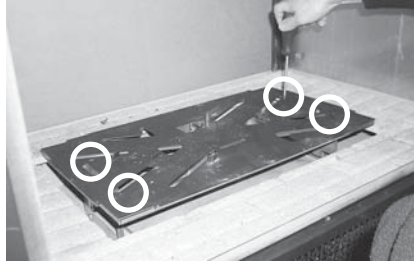


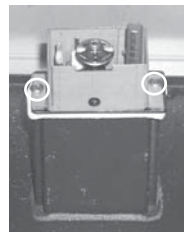
Diagram 1

Diagram 1 and 2: Remove the left and right screws and then slide the burner assembly away from the orifice and lift out.

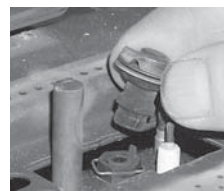


Diagram 2

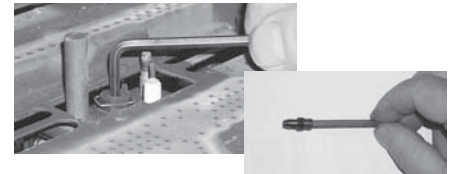
- 5) Remove pilot inner box by removing the 2 screws.



- 6) Pull off the pilot cap to expose the pilot orifice.



- 7) Unscrew the pilot orifice with the allen key and replace with the LPG pilot orifice in the kit and replace pilot cap.



- 8) Re-install pilot inner box using 2 screws.

- 9) Remove burner orifice with a 1/2" spanner and discard. Use another spanner to hold on to the elbow behind the orifice.



Burner Orifice

- 10) Reinstall new burner orifice LPG stamped #50 and tighten.

- 11) Turn control knob to the "OFF" position.

- 12) Remove the black protection cap by hand from the high-low knob (Fig.1).

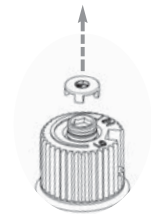


Fig.1

- 13) Insert a 5/32" or 4mm Allen wrench into the hexagonal key-way of the screw (Fig. 2), rotate it counter-clockwise until it is free and extract it.



Fig.2

14) Check that the screw is clean and if necessary remove dirt.

15) Flip the screw (Fig. 3).

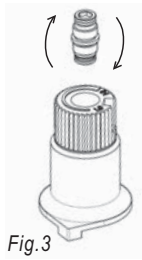


Fig.3

16) Using the Allen wrench as shown in Fig.4, rotate the screw clockwise until snug, do not overtighten.



Fig.4

WARNING!
Also check that the pilot and main burner injectors are appropriate for the gas type.

19) Reverse steps 4) to 1).

20) Attach the label "This unit has been converted to LPG" near or on top of the serial # decal.

21) Replace yellow "NG" label with red "LPG" label.

22) Check for gas leaks.

23) Check inlet and outlet pressures.

24) Check operation of flame control.

25) Check for proper flame appearance and glow on logs.

WARNING!
Do not overtighten the screw.
Recommended to grip the wrench by the short side.

Installer Notice:
These instructions must be left with the appliance.

17) Verify that if the conversion is from NG to LPG, the screw must be re-assembled with the red o-ring visible (Fig. 5).

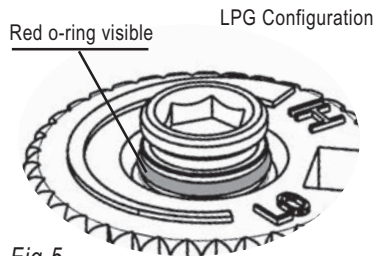


Fig.5

18) Re-assemble the black protection cap (Fig. 6).

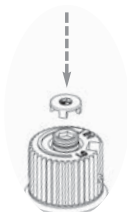


Fig. 6

INSTALLATION

P121/P121LC/P121RC/P131-NG System Data

For 0 to 4500 feet altitude
Burner Inlet Orifice Sizes: #31
Pilot Orifice NG

Max. Input Rating 41 mj.
Min. Input Rating 22 mj.

Supply Pressure min. 1.13 kPa

Manifold Pressure (High) 1.00 kPa

Log Set: Ceramic fibre, 8 per set.
Flue System: Regency® Astrocap™, Regency® Direct Vent System (Flex) and Simpson Dura-Vent Direct Flue System

P121/P121LC/P121RC/P131-LPG System Data

For 0 to 4500 feet altitude
Burner Inlet Orifice Sizes: #50
Pilot Orifice LPG

Max. Input Rating 38 mj.
Min. Input Rating 22 mj.

Supply Pressure min. 3.00 kPa

Manifold Pressure (High) 2.65 kPa

Log Set: Ceramic fibre, 8 per set.
Flue System: Regency® Astrocap™, Regency Direct Vent System (Flex) and Simpson Dura-Vent Direct Flue System

GAS LINE INSTALLATION

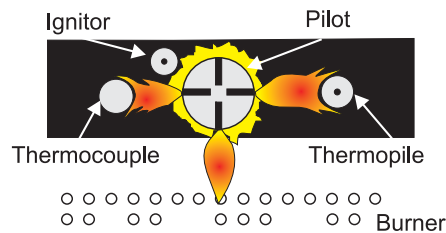
The gas line can be brought through either the right, the left side or the bottom of the appliance. The gas valve is situated on the bottom of the unit.

The gas line connection may be made of rigid pipe, copper pipe or an approved flex connector. (If you are using rigid pipe, ensure that the valve can be removed for servicing.) Since some municipalities have additional local codes it is always best to consult with your local authorities and AG 601 (Australian Installation Code) NZS 5261 (New Zealand Installation Standard).

When using copper or flex connectors use only approved fittings. Always provide a union so that gas lines can be easily disconnected for servicing. Flare nuts for copper lines and flex connectors are usually considered to meet this requirement.

Important: Always check for gas leaks with a soap and water solution or gas leak detector. Do not use open flame for leak testing.

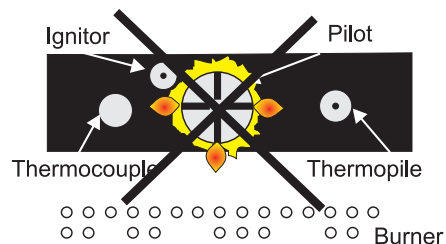
PILOT ADJUSTMENT



Periodically check the pilot flames. **Correct flame pattern has three strong blue flames: 1 flowing around the thermopile, 1 around the thermocouple and 1 flowing across the burner (it does not have to be touching the burner).**

Note: If you have an incorrect flame pattern, contact your Regency® dealer for further instructions.

Incorrect flame pattern will have small, probably yellow flames, not coming into proper contact with the rear burner or thermopile or thermocouple.



GAS PIPE PRESSURE TESTING

The appliance must be isolated from the gas supply piping system by closing its individual manual shut-off valve during any pressure testing of the gas supply piping system at test pressures equal to or less than 3.45 kPa. Disconnect piping from valve at pressures over 3.45 kPa.

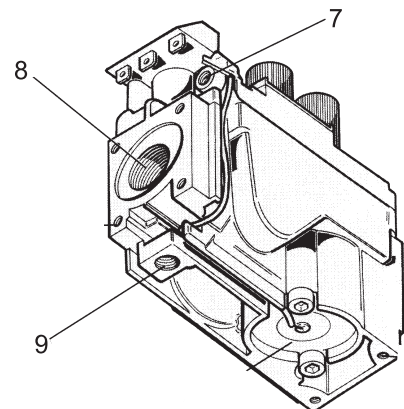
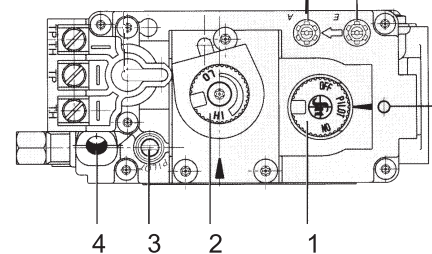
The manifold pressure is controlled by a regulator built into the gas control, and should be checked at the pressure test point.

Note: To properly check gas pressure, both inlet and manifold pressures should be checked using the valve pressure ports on the valve.

- 1) Make sure the valve is in the "OFF" position.
- 2) Loosen the "IN" and/or "OUT" pressure tap(s), turning counterclockwise with a 1/8" wide flat screwdriver.
- 3) Attach manometer to "IN" and/or "OUT" pressure tap(s) using a 5/16" ID hose.
- 4) Light the pilot and turn the valve to "ON" position.
- 5) The pressure check should be carried out with the unit burning and the setting should be within the limits specified on the safety label.
- 6) When finished reading manometer, turn off the gas valve, disconnect the hose and tighten the screw (clockwise) with a 1/8" flat screwdriver. **Note: Screw should be snug, but do not over tighten.**

S.I.T. VALVE DESCRIPTION

- 1) Gas on/off knob
- 2) Manual high/low adjustment
- 3) Pilot Adjustment
- 4) Thermocouple Connection - option
- 5) Outlet Pressure Tap
- 6) Inlet Pressure Tap
- 7) Pilot Outlet
- 8) Main Gas Outlet
- 9) Alternative TC Connection Point



LOG INSTALLATION

Read the instructions below carefully and refer to the diagrams. If logs are broken do not use the unit until they are replaced. Broken logs can interfere with the pilot operation.

Log Kit # 360-930 contains the following pieces:

- a) 326 Front Right Log
- b) 327 Front Left Log
- c) 328 Middle Right Log
- d) 329 Middle Left Log
- e) Embers 902-154

Please note that there are 2 of each log. This log set is mirrored front and back.



The 3-digit numbers (ie. 327) are molded into the rear of each log.

The image below shows all of the logs in place.



- 1) Carefully remove the logs from the box and unwrap them. The logs are fragile, handle with care - **do not force into position**.
- 2) Place Log 326 on the front right side of the burner. Ensure that the notches on the far right side of the log fit into the grate posts. Push back side of the left end of the log up against the tab on the burner.



Push back side of the left end of the log up against the tab on the burner.

Repeat step 2 on the opposite side of the burner.



- 3) Place Log 327 on the front left side of the burner. Position the right end of the log in between the two tabs and the left end of the log into the grate post.



INSTALLATION

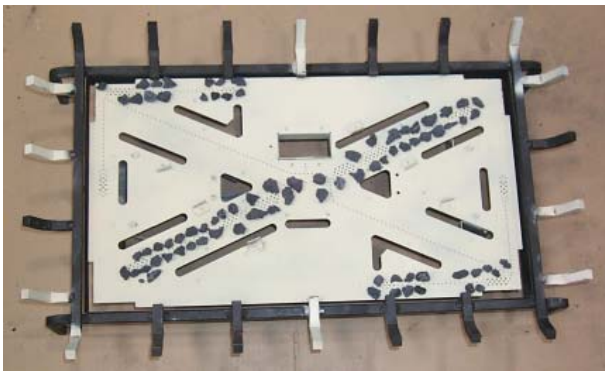
Repeat step 3 on the opposite side of the burner.



Repeat step 5 on the opposite side of the burner.



- 4) Embers should be placed in front of Log 326 and Log 327 and also down the middle between the logs as shown in the image below.



Caution: Do NOT cover burner ports.

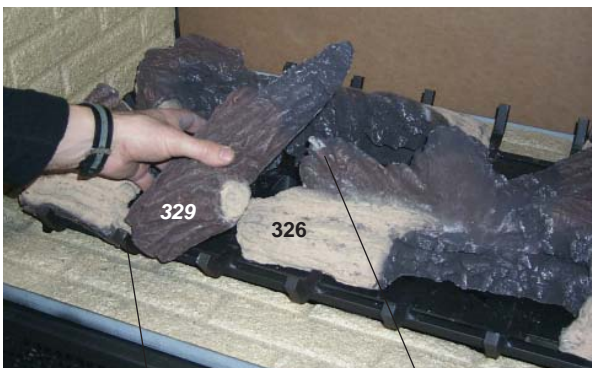
- 6) Place Log 328 on the middle right side of the burner. Ensure that the log fits over the 2nd grate post from the right.



Grate Post

- 5) Place Log 329 on the middle left side of the burner. Rest the bottom of the Log onto the second grate post from the left. Ensure that the log fits into a pin that is on Log 326.

Repeat step 6 on the opposite side of the burner.



Grate Post

Place Log 329 onto pin.



GLASS DOOR REMOVAL

- 1) Remove the 8 screws that secure the glass door.



- 2) Pull the door slightly out on an angle and then lift up and pull completely out.



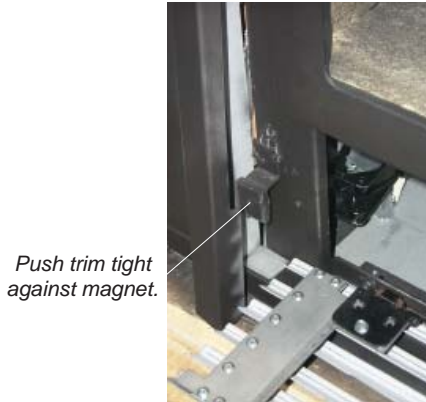
- 3) P131 & P121LC/P121RC Corner Model: Remove the 6 screws that secure the glass door and repeat step 2.

FINISHING TRIM

- 1) Slide the Side Finishing Trim up into the slot in the top flange of the fireplace. Push tight against the magnet at the base of the unit.



Slide Trim into slot.



Push trim tight against magnet.

- 2) Slide the Corner Finishing Trim up into the slot in the top flange of the fireplace. Push tight against the magnet at the base of the unit.



Slide Trim into slot.

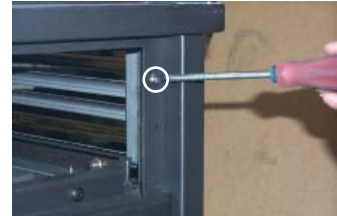


Push trim tight against magnet.

LOUVERS & GRILLS

- 1) Attach the screws provided to the top left and right corners.

NOTE: Do not tighten the screw entirely, ensure that some room is left to be able to hang the grill or louver over the screw.



- 2) Hang the Top Louver or Grill onto the 2 screws in the top fireplace opening.



- 3) Attach the Bottom Louver or Grill to the hinges on the bottom flange of the fireplace.



P121 & P131 Corner Models

- 4) Attach the screws provided to the top and bottom, left and right corners similar to step 1.

- 5) Hang the top and bottom louver or grill onto the screws in the top and bottom, left and right sides of the fireplace opening.



The Top and Bottom Side Louver or Grill is installed the same way.

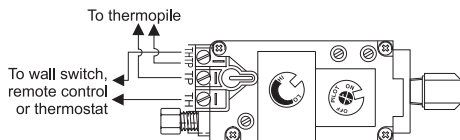
INSTALLATION

Option 1: REMOTE CONTROL

Use the Regency® Remote Control Kit approved for this unit. Use of other systems may void your warranty.

The remote control kit comes with a hand held transmitter, a receiver and a wall mounting plate.

- 1) Choose a convenient location on the wall to install the receiver and the receptacle box (protection from extreme heat is very important). Run wires from the fireplace to that location. Use the Thermostat Wire Table.
- 2) Connect the two wires to the gas valve. See diagram below.



CAUTION
Do not connect millivolt remote control wires to a 240V wire.

- 3) Install 3 AAA alkaline batteries in transmitter and 4 AA alkaline batteries in the receiver. Install the receiver and its cover in the wall. Switch the remote receiver to "remote" mode. The remote control is now ready for operation.

Option 2: WALL SWITCH

- 1) Run the supplied 4.5m of wire through the back gas inlet opening. Be careful not to damage wire.

Note: We recommend a maximum of 4.5m of wire but if you wish to go with a longer run, use the Thermostat Wire Table.

- 2) Connect the wire to the supplied wall switch and install into the receptacle box.

CAUTION
Do not connect millivolt wall switch wire to a 240V wire.

Option 3: WALL THERMOSTAT

A wall thermostat may be installed if desired, connect the wires as per the wiring diagram. Use the table below to determine the maximum wire length.

Note: Preferable if the thermostat is installed on an interior wall.

Regency® offers an optional programmable thermostat but any 250-750 millivolt rated non-anticipator type thermostat that is CSA, ULC or UL approved may be used.

CAUTION
Do not connect millivolt wall thermostat wires to a 240V wire.

Thermostat Wire Table

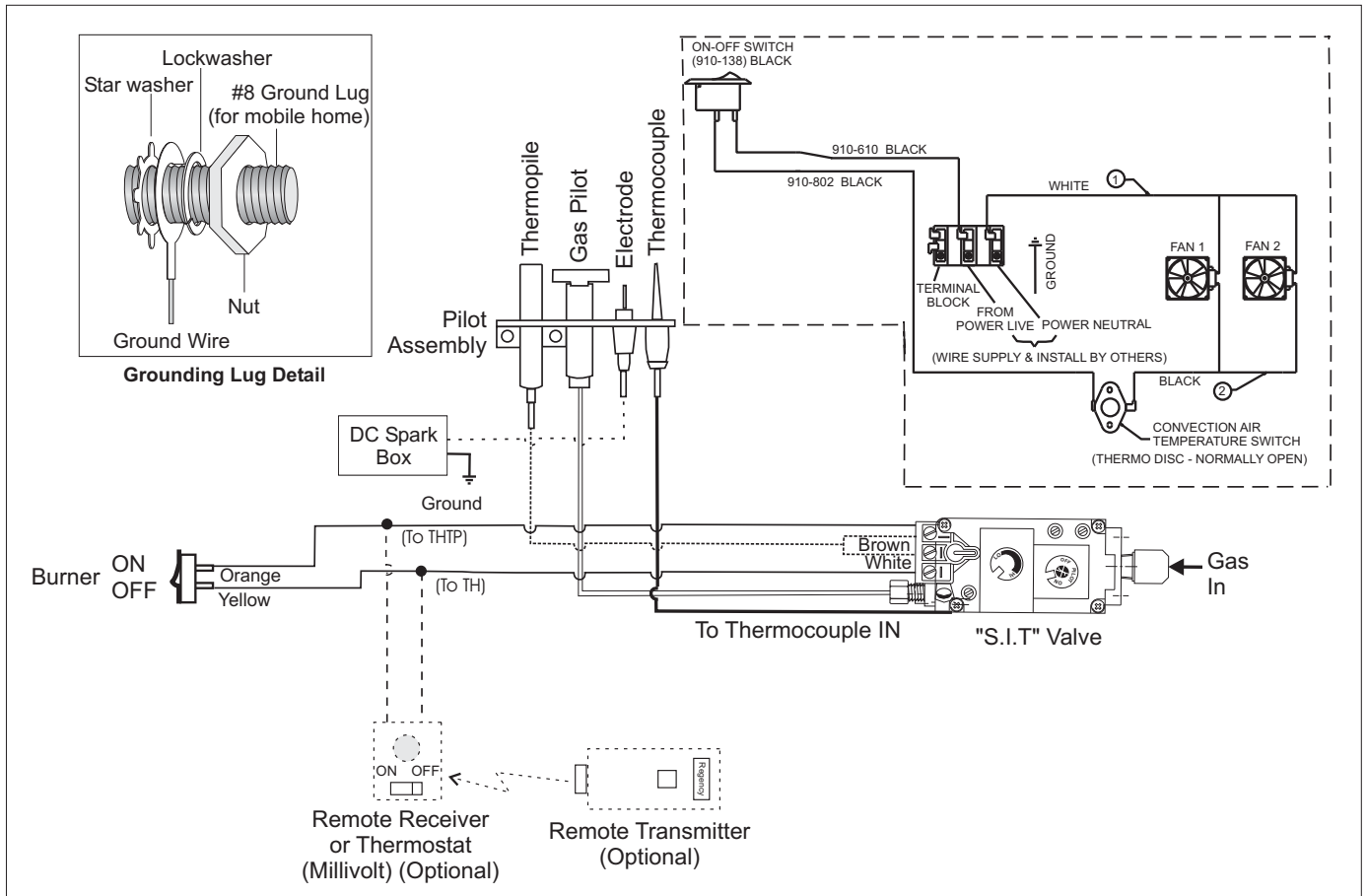
Recommended Maximum Lead Length (Two-Wire) When Using Wall Thermostat (CP-2 System)	
Wire Size	Max. Length
14 GA.	15.0 M.
16 GA.	10.0 M.
18 GA.	6.0 M.
20 GA.	3.6 M.
22 GA.	2.7 M.

WIRING DIAGRAM

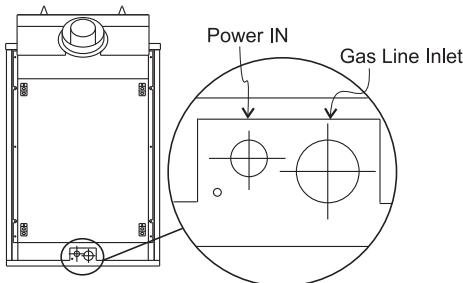
No electrical power supply is required for the gas control to operate.

(Do not cut the ground terminal off under any circumstances.)

Caution: Ensure that the wires do not touch any hot surfaces and are away from sharp edges.



CAUTION: Label all wires prior to disconnection when servicing controls. Wiring errors can cause improper and dangerous operation.



Terminal Block Location



Terminal Block

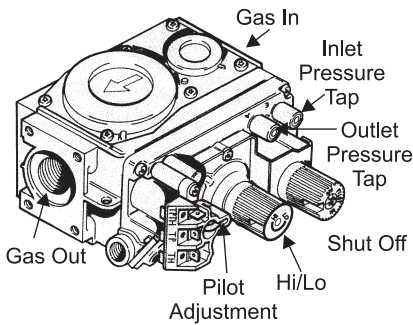


Remove cover to access Terminal Block

OPERATING INSTRUCTIONS

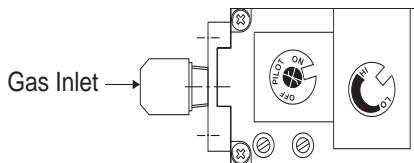
OPERATING INSTRUCTIONS

- 1) Read and understand these instructions before operating this appliance.
- 2) Check to see that all wiring is correct and enclosed to prevent possible shock.
- 3) Check to ensure there are no gas leaks.
- 4) Make sure the glass in the door frame is properly positioned. Never operate the appliance with the glass removed.
- 5) Verify that the flueing and cap are unobstructed.
- 6) Ensure that the brick panels are installed.
- 7) Verify log placement. If the pilot cannot be seen when lighting the unit, the logs have been incorrectly positioned.
- 8) The unit should never be turned off, and on again without a minimum of a 60 second wait.



LIGHTING PROCEDURE

- 1) Push in gas control knob slightly and turn to "PILOT" position.
- 2) Push in control knob all the way and hold in until the pilot lights up. Continue to hold the control knob in for about 20 seconds after the pilot is lit. Release knob.
- 3) Push in gas control knob slightly and turn to "ON" position.
- 4) Turn ON the flame switch.



SHUTDOWN PROCEDURE

- 1) Turn OFF the flame switch.
- 2) Push in gas control knob slightly and turn to "OFF" position.

FIRST FIRE

DO NOT BURN THE APPLIANCE WITHOUT THE GLASS FRONT IN PLACE.

The first fire in your stove is part of the paint curing process. To ensure that the paint is properly cured, it is recommended that you burn your fireplace for at least four (4) hours the first time before you use it with the fan on.

When first operated, the unit will release an odour caused by the curing of the paint, the burning off of any oils remaining from manufacturing. Smoke detectors in the house may go off at this time. Open a few windows to ventilate the room for a couple of hours.

Note: When the glass is cold and the appliance is lit, it may cause condensation and fog the glass. This condensation is normal and will disappear in a few minutes as the glass heats up.

During the first few fires, a white film may develop on the glass front as part of the curing process. The glass should be cleaned after the unit has cooled down or the film will bake on and become very difficult to remove. Use a non-abrasive cleaner and DO NOT ATTEMPT TO CLEAN THE GLASS WHILE IT IS HOT.

NORMAL OPERATING SOUNDS OF GAS APPLIANCES

It is possible that you will hear some sounds from your gas appliance. This is perfectly normal due to the fact that there are various gauges and types of steel used within your appliance. Listed below are some examples. All are **normal operating sounds** and should not be considered as defects in your appliance.

Blower:

Regency® gas appliances use high tech blowers to push heated air farther into the room. It is not unusual for the fan to make a "whirring" sound when ON. This sound will increase or decrease in volume depending on the speed setting of your fan speed control.

Burner Tray:

The burner tray is positioned directly under the burner tube(s) and logs and is made of a different gauge material from the rest of the firebox and body. Therefore, the varying thicknesses of steel will expand and contract at slightly different rates which can cause "ticking" and "cracking" sounds. You should also be aware that as there are temperature changes within the unit these sounds will likely re-occur. Again, this is normal for steel fireboxes.

Blower Thermodisc:

When this thermally activated switch turns ON it will create a small "clicking" sound. This is the switch contacts closing and is normal.

Pilot Flame:

While the pilot flame is on it can make a very slight "whisper" sound.

Gas Control Valve:

As the gas control valve turns ON and OFF, a dull clicking sound may be audible, this is normal operation of a gas regulator or valve.

Unit Body/Firebox:

Different types and thicknesses of steel will expand and contract at different rates resulting in some "cracking" and "ticking" sounds will be heard throughout the cycling process.

AERATION ADJUSTMENT

The burner aeration is factory set. Adjustment may be needed due to the local gas supply or altitude. As a general rule if the flame is too yellow open up the air shutter, if it is too blue close the air shutter.

NG 10mm open
LPG 10mm open

NOTE: This adjustment is only to be made by an authorised person.

COPY OF THE LIGHTING PLATE INSTRUCTIONS

MAINTENANCE INSTRUCTIONS



FOR YOUR SAFETY READ BEFORE LIGHTING

This appliance must be installed in accordance with local codes, if any; if not, follow the current CAN1-B149/ANSI Z 223.1 (Australia: AS5601-2004, New Zealand: NZS 5261)

WARNING: If you do not follow these instructions exactly, a fire or explosion may result causing property damage, personal injury or loss of life. Improper installation, adjustment, alteration, service or maintenance can cause injury or property damage. Refer to the owner's information manual provided with this appliance. For assistance or additional information consult a qualified installer, service agency or gas supplier.

A) This appliance has a pilot which must be lighted by hand. When lighting the pilot, follow these instructions exactly.

B) BEFORE LIGHTING smell all around the appliance area for gas. Be sure to smell next to the floor because some gas is heavier than air and will settle on the floor.

WHAT TO DO IF YOU SMELL GAS

- Do not try to light any appliance
- Do not touch any electric switch, do not use any phone in your building
- Immediately call your gas supplier from a neighbours phone. Follow the gas supplier's instructions.
- If you cannot reach your gas supplier, call the fire department.

C) Use only your hand to push in or turn the gas control knob. Never use tools. If the knob will not push in or turn by hand, don't try to repair it, call a qualified service technician. Force or attempted repair may result in a fire or explosion.

D) Do not use this appliance if any part has been under water. Immediately call a qualified service technician to inspect the appliance and to replace any part of the control system and any gas control which has been under water.

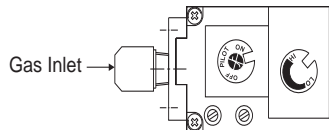
This appliance needs fresh air for safe operation and must be installed so there are provisions for adequate combustion and ventilation air.

CAUTION: Hot while in operation. Do not touch. Severe Burns may result. Due to high surface temperatures keep children, clothing and furniture, gasoline and other liquids having flammable vapors away. Keep burner and control compartment clean. See installation and operating instructions accompanying appliance.

LIGHTING INSTRUCTIONS

STOP! Read the safety information above on this label.

- 1) Push in gas control knob slightly and turn to "PILOT" position.
- 2) Push in control knob all the way and hold in until the pilot lights up. Continue to hold the control knob in for about 20 seconds after the pilot is lit. Release knob.
- 3) Push in gas control knob slightly and turn to "ON" position.
- 4) Turn ON the flame switch.



TO TURN OFF GAS APPLIANCE

You may shut off the pilot during prolonged non use periods to conserve fuel.

- 1) Turn OFF the flame switch.
- 2) Push in gas control knob slightly and turn to "OFF" position.

DO NOT REMOVE THIS INSTRUCTION PLATE

918-253a

- 1) Always turn off the gas valve before cleaning. For relighting, refer to lighting instructions. Keep the burner and control compartment clean by brushing and vacuuming at least once a year. When cleaning the logs, use a soft clean paint brush as the logs are fragile and easily damaged.
- 2) Clean appliance and door with a damp cloth (never when unit is hot). Never use an abrasive cleaner. The glass should be cleaned with a gas fireplace glass cleaner. **The glass should be cleaned when it starts looking cloudy.**
- 3) The heater is finished in a heat resistant paint and should only be refinished with heat resistant paint. Regency® uses StoveBright Paint - Metallic Black #6309.
- 4) Make a periodic check of burner for proper position and condition. Visually check the flame of the burner periodically, making sure the flames are steady; not lifting or floating. If there is a problem, call a authorized service person.
- 5) The appliance and flueing system must be inspected before use, and at least annually, by a authorized field service person, to ensure that the flow of combustion and ventilation air is not obstructed.

Note: Never operate the appliance without the glass properly secured in place.

- 6) Do not use this appliance if any part has been under water. Immediately call a authorized service technician to inspect the appliance and to replace any part of the control system and any gas control which has been under water.
- 7) In the event this appliance has been serviced check that the flue-air system has been properly resealed & reinstalled in accordance with the manufacturer's instructions.
- 8) Verify operation after servicing.

General Flue Maintenance

Conduct an inspection of the flueing system semi-annually. Recommended areas to inspect as follows:

- 1) Check the Flueing System for corrosion in areas that are exposed to the elements. These will appear as rust spots or streaks, and in extreme cases, holes. These components should be replaced immediately.

MAINTENANCE

- 2) Remove the Cap, and shine a flashlight down the Flue. Remove any bird nests, or other foreign material.
- 3) Check for evidences of excessive condensation, such as water droplets forming in the inner liner, and subsequently dripping out the joints. Continuous condensation can cause corrosion of caps, pipe, and fittings. It may be caused by having excessive lateral runs, too many elbows, and exterior portions of the system being exposed to cold weather.
- 4) Inspect joints, to verify that no pipe sections or fittings have been disturbed, and consequently loosened. Also check mechanical supports such as Wall Straps, or plumbers' tape for rigidity.

LOG REPLACEMENT

The unit should never be used with broken logs. Turn off the gas valve and allow the unit to cool before opening door and carefully remove the logs. (The pilot light generates enough heat to burn someone.) If for any reason a log should need replacement, you must use the proper replacement log. The position of these logs must be as shown in the diagrams under Log Installation.

Note: Improper positioning of logs may create carbon build-up and will severely alter the unit's performance which is not covered under warranty.

THERMOPILE/ THERMOCOUPLE

- 1) Open the Bottom Louvers or Grills. Remove the Top Louver or Grill.
- 2) Remove the Trim Kit, Glass Door, Log Set, Grate and Burner Assembly (see page 26).
- 3) Disconnect thermocouple by loosening nut from the valve with a 9mm spanner. Disconnect thermopile by loosening 2 screws marked TP on the valve.
- 4) Remove 2 screws from the pilot assembly and pull up far enough to be able to loosen the thermocouple or thermopile with a 7/16" spanner. NOTE: the pilot line is very fragile, use caution when pulling it up.
- 5) Drop the thermocouple or thermopile down through the extrusion and pull it out of the unit.
- 6) Reinstall the new ones in reverse order.

GLASS GASKET

If the glass gasket requires replacement use a tadpole glass gasket (Part # 936-155).

DOOR GLASS

Your Regency® fireplace is supplied with high temperature 5mm-Tempered glass & 5mm-Ceramic glass. If your glass requires cleaning, we recommend using an approved glass cleaner available at all authorized dealers. Do not use abrasive materials.

CAUTION & WARNINGS:

- * Do not clean when the glass is hot.
- * The use of substitute glass will void all product warranties.
- * Care must be taken to avoid breakage of the glass.
- * Do not strike or abuse the glass.
- * Do not operate this fireplace without the glass front or with a cracked or broken glass front.
- * Wear gloves when removing damaged or broken glass.
- * Replacement of the glass panels should be done by a licensed or authorized service person.

GLASS REPLACEMENT

In the event that you break your glass by impact, purchase your replacement from an authorized Regency® dealer only. Replacement glass is shipped already installed into the door frame. Reinstall as per Glass Door Installation on page 22.

REPLACEMENT PARTS:

Front Door - Tempered (Part# 360-528)
Side Door - Tempered (Part# 360-529)
Front Door - Ceramic (Part# 360-538)
Side Door - Ceramic (Part# 360-539)

GOLD-PLATED ACCESSORIES

The 24 carat gold-plated finish requires little maintenance, and need only be cleaned with a damp cloth. DO NOT use abrasive materials or chemical cleaners, as they may harm the finish and void the warranty. **Clean any fingerprints off before turning the unit on.**

REMOVING VALVE

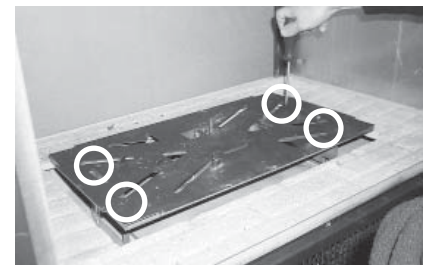
- 1) Shut off the gas supply.
- 2) Remove the louvers and trim kit. Remove the front door.
- 3) Remove the logs, embers.
- 4) Remove the grate by lifting straight up.



- 5) Remove the side brick clip in the top of the firebox and then slide the Side Brick Panel out. **The brick panels are very fragile - handle with care.**



- 6) Remove the burner by removing the 4 screws.



- 7) Slide the burner assembly away from the orifice and lift out.



- 8) Remove the Side Base Brick Panels and finally the Long Base Brick Panels.

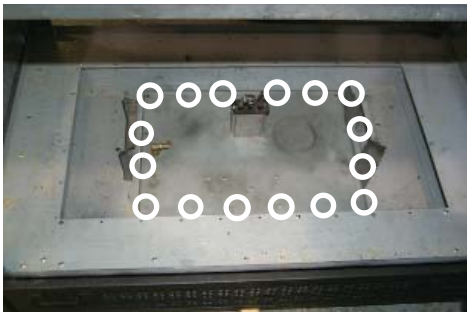


Remove Left & Right Side Base Brick Panels



Remove the 2 Long Base Brick Panels

- 9) Disconnect the inlet gas line.
- 10) Disconnect the 2 TP wires and the 2 TH wires from the valve.
- 11) Remove the 16 Phillips head screws securing the valve tray.



- 12) Lift the entire assembly out.



- 13) Undo the pilot tube from the valve with a 7/16" spanner.
- 14) Undo the quick drop out thermocouple nut on the valve with a 9mm (metric) spanner.
- 15) Remove the Piezo igniter wire and push button assembly.
- 16) Undo the "gas out" flare nut with a 13/16" spanner.
- 17) Undo the "gas out" flare fitting with an 11/16" spanner.
- 18) Remove the 6 Phillips head screws from the sides of the valve bracket and remove valve.

Hint: *If you are using black pipe, ensure that there is a union by the valve, otherwise removal will be almost impossible.*

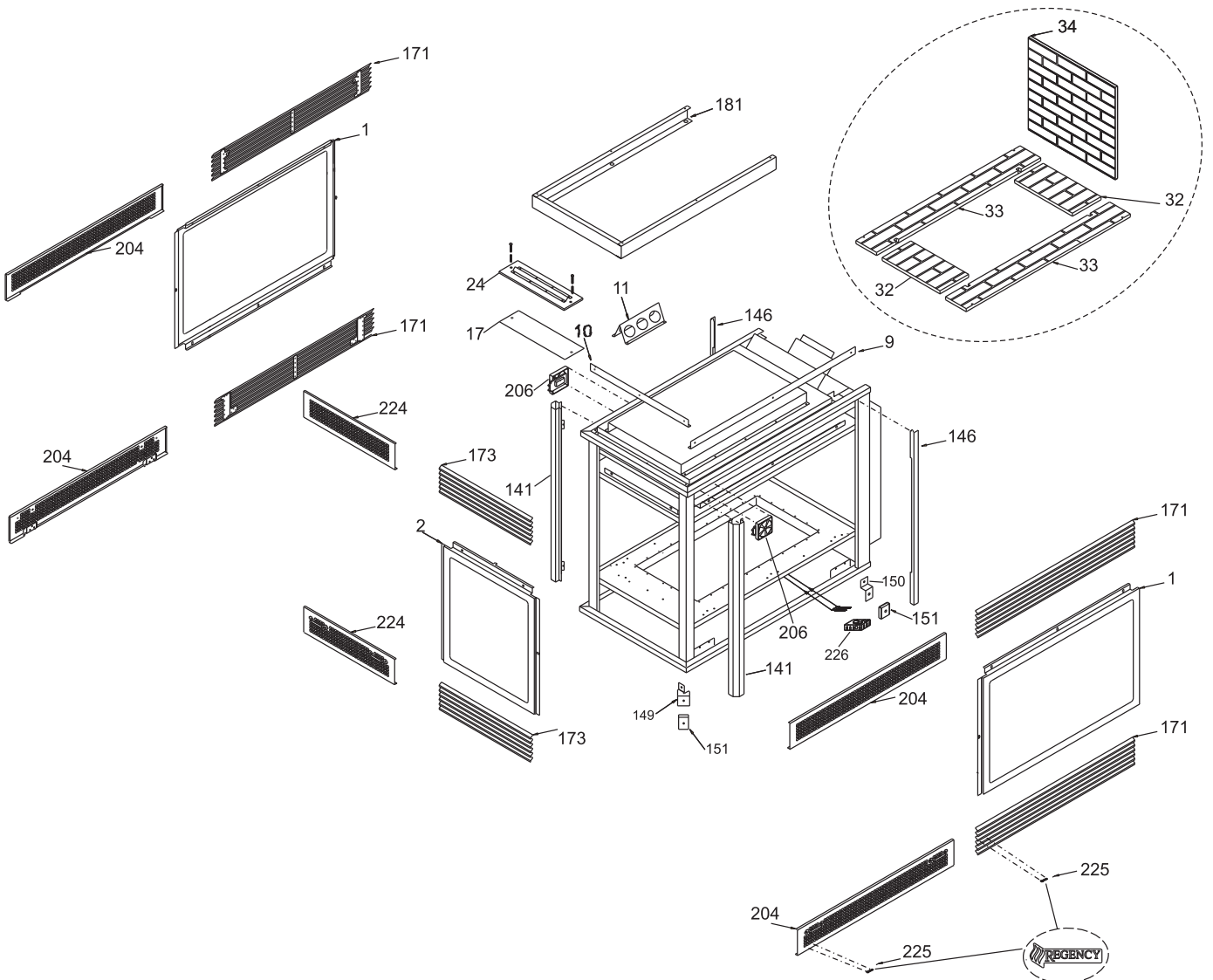
INSTALLING VALVE

- 1) Attach the valve to the valve bracket with the 6 (m5x8 metric) screws provided.
 - 2) Reconnect the "gas out" flare fitting with an 11/16" spanner.
 - 3) Reconnect the "gas out" flare nut with a 13/16" spanner.
 - 4) Install piezo igniter push button assembly and reconnect wire.
 - 5) Reconnect the quick drop out thermocouple nut with a 9mm spanner.
 - 6) Reconnect the pilot tube nut with a 7/16" spanner.
 - 7) Scrape off the old gasket from the floor of the firebox and from the valve tray assembly.
 - 8) Install a new gasket and reinstall the valve tray assembly.
- Note:** Failure to install a new gasket may severely affect the appliance performance.
- 9) Reinstall the 16 hold down screws.
 - 10) Hook up the 2 TP and 2 TH wires to the appropriate connections on the valve.
 - 11) Reinstall the Burner Assembly.
 - 13) Hook up the gas line and check for gas leaks with a soap and water solution or a gas leak detector. (Do not use open flame for leak testing.)
 - 14) Fire up the unit temporarily
 - 15) Check the manifold pressure.
 - 16) Reinstall the logs, grate and brick panels as needed.
 - 17) Reinstall the glass doors.
 - 18) Fire up the unit again and check for proper flame appearance.

P131 (PIER) MAIN ASSEMBLY

Part #	Description	Part #	Description	Part #	Description
1) 360-528	Door Assy Front - Tempered	146) 360-035	Finishing Trim	204) 360-940	Dec. Grill Front - Black (set)
360-946	Door Assy Front - Ceramic (Optional)	149) 360-122	Magnet Bracket - Corner	206) 910-172	Fan Axial 240V
2) 360-529	Door Assy Side - Tempered	150) 360-123	Magnet Bracket - Front	224) 360-942	Dec. Grill Side - Black (set)
360-948	Door Assy Side - Ceramic (Optional)	151) 904-258	Magnet	225) 948-216	Regency® Logo Plate
9) 360-046	Nailing Strip - Top - Front	171) 360-920	Louver Front - Black (set)	226) 910-142	Thermodisc
10) 360-047	Nailing Strip - Top - Side	360-922	Louver Front - Black/Gold (set)	918-536	Manual
11) 430-001	Standoff - Top	360-924	Louver Front - Black/Steel (set)		
		360-926	Louver Front - Black/Brass (set)		
17) 360-086	Gasket - Relief Door	173) 360-932	Louver Side - Black (set)		
24) *	Relief Door Assembly	360-934	Louver Side - Black/Gold (set)		
		360-936	Louver Side - Black/Steel (set)		
32) 902-296	Brick Panel - Base - Side	360-938	Louver Side - Black/Brass (set)		
33) 902-297	Brick Panel - Base - Front	181) *	Extension Trim - Pier		
34) 902-298	Brick Panel - Side				
141) 360-031	Column Finishing Trim				

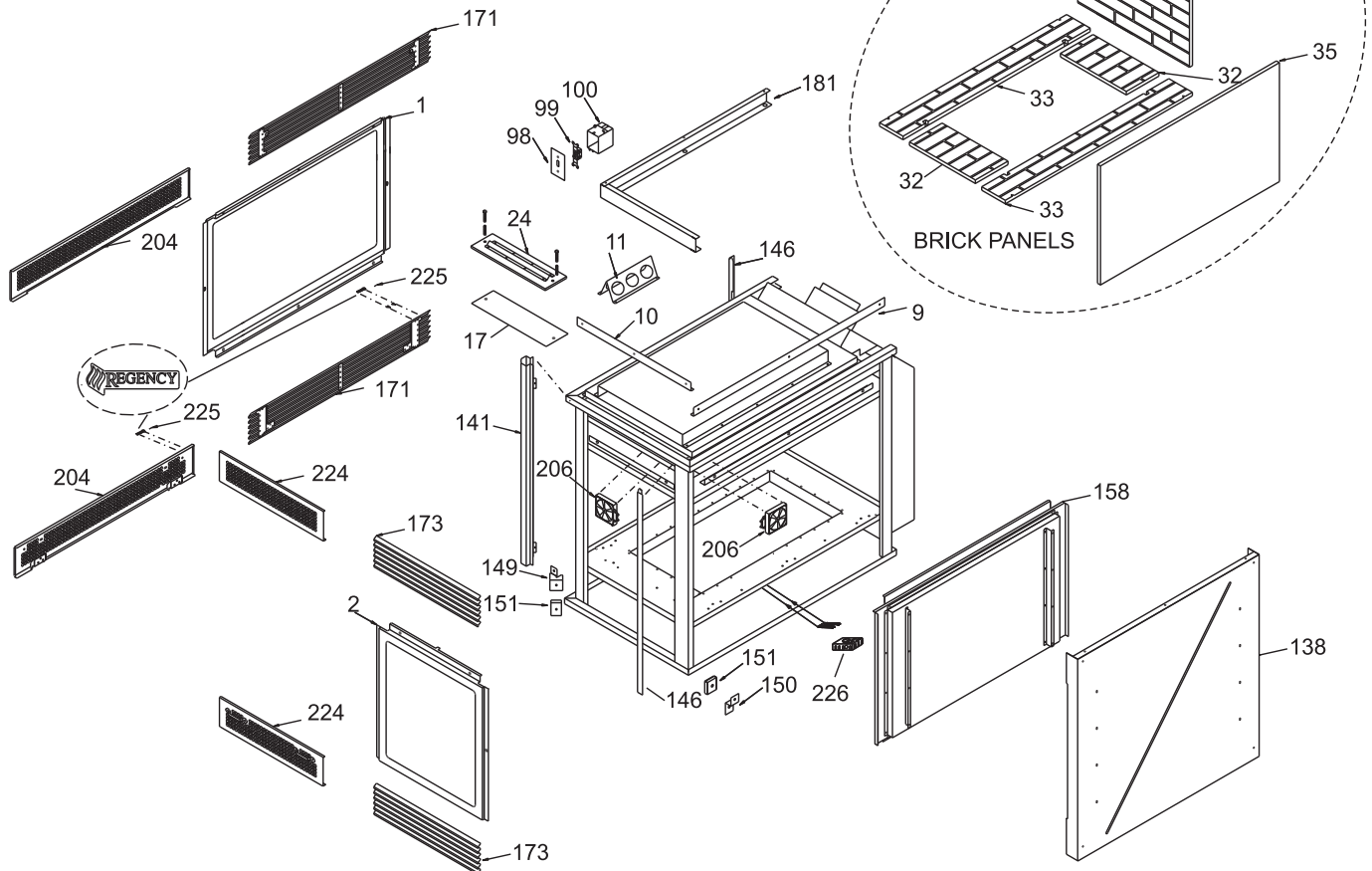
*Not available as a replacement part.



PARTS LIST

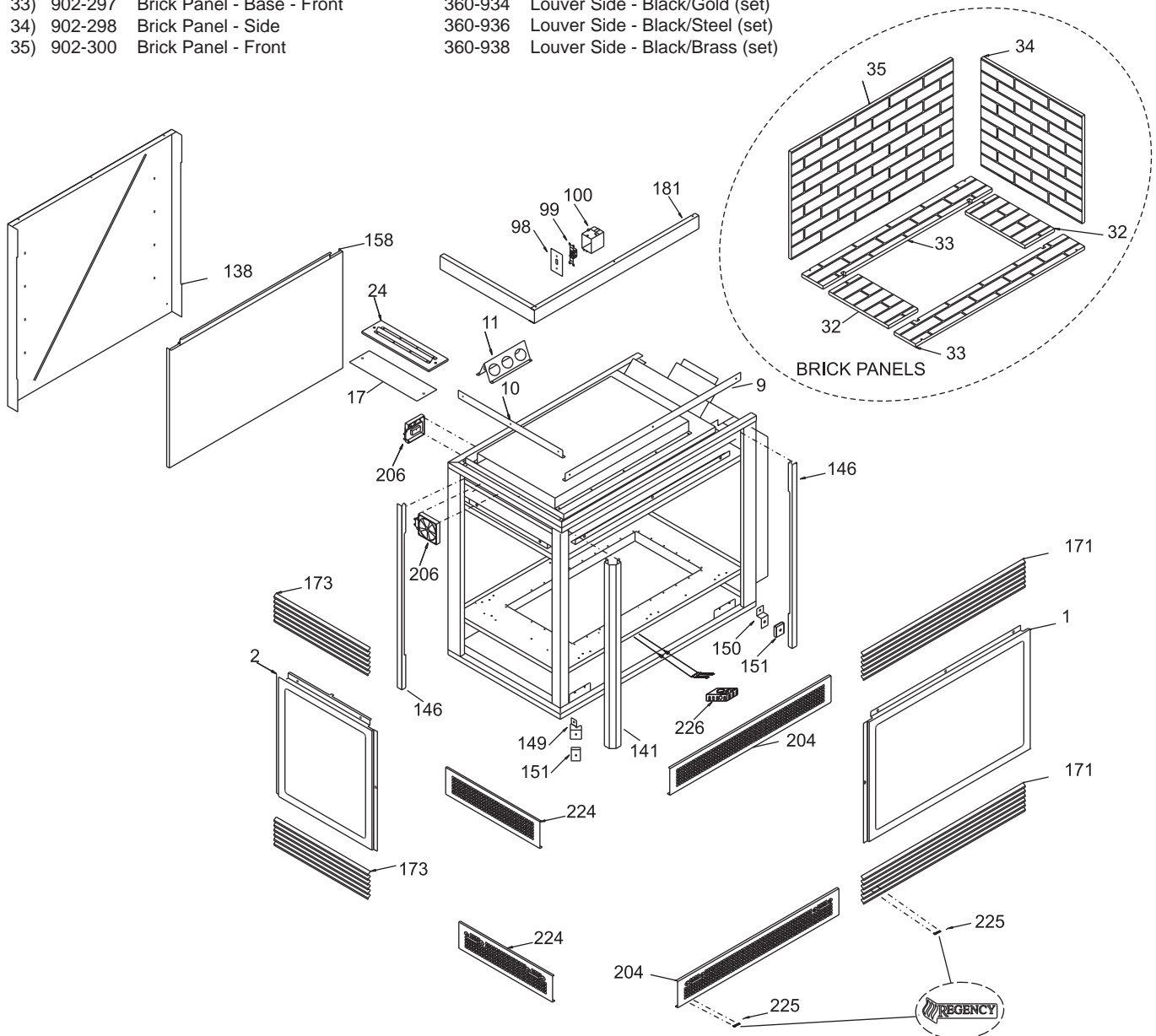
P121RC (RIGHT CORNER) MAIN ASSEMBLY

Part #	Description	Part #	Description	Part #	Description
1) 360-528	Door Assy Front - Tempered	146) 360-035	Finishing Trim - Left Side	224) 360-942	Dec. Grill Side - Black (set)
360-538	Door Assy Front - Ceramic (Optional)	149) 360-122	Magnet Bracket - Corner	225) 948-216	Regency® Logo Plate
2) 360-529	Door Assy Side - Tempered	150) 360-123	Magnet Bracket - Front	226) 910-142	Thermodisc
360-539	Door Assy Side - Ceramic (Optional)	151) 904-258	Magnet	918-536	Manual
9) 360-046	Nailing Strip - Top - Front	158) 360-060	Door Cover Assembly-Front		*Not available as a replacement part.
10) 360-047	Nailing Strip - Top - Side	171) 360-920	Louver Front - Black (set)		
11) 430-001	Standoff - Top	360-922	Louver Front - Black/Gold (set)		
780-013	Standoff - Rear	360-924	Louver Front - Black/Steel (set)		
17) 360-086	Gasket - Relief Door	360-926	Louver Front - Black/Brass (set)		
24) *	Relief Door Assembly	173) 360-932	Louver Side - Black (set)		
32) 902-296	Brick Panel - Base - Side	360-934	Louver Side - Black/Gold (set)		
33) 902-297	Brick Panel - Base - Front	360-936	Louver Side - Black/Steel (set)		
34) 902-298	Brick Panel - Side	360-938	Louver Side - Black/Brass (set)		
35) 902-300	Brick Panel - Front	181) *	Extension Trim		
138) 360-063	Heat Shield - Front	204) 360-940	Dec. Grill Front - Black (set)		
141) 360-031	Column Finishing Trim	206) 910-172	Fan Axial 240V		



P121LC (LEFT CORNER) MAIN ASSEMBLY

Part #	Description	Part #	Description	Part #	Description
1)	360-528 Door Assy Front - Tempered 360-538 Door Assy Front - Ceramic (Optional)	138)	360-069 Heat Shield - Front	204)	360-940 Dec. Grill Front - Black (set)
		141)	360-031 Column Finishing Trim	206)	910-172 Fan Axial 240V
		146)	360-035 Finishing Trim	224)	360-942 Dec. Grill Side - Black (set)
2)	360-529 Door Assy Side - Tempered 360-539 Door Assy Side - Ceramic (Optional)	149)	360-122 Magnet Bracket - Corner	225)	948-216 Regency® Logo Plate
		150)	360-123 Magnet Bracket - Front	226)	910-142 Thermodisc
		151)	904-258 Magnet		918-536 Manual
9)	360-046 Nailing Strip - Top - Front	158)	360-062 Door Cover Assembly-Front		*Not available as a replacement part.
10)	360-047 Nailing Strip - Top - Side				
11)	430-001 Standoff - Top	171)	360-920 Louver Front - Black (set)		
			360-922 Louver Front - Black/Gold (set)		
17)	360-086 Gasket - Relief Door		360-924 Louver Front - Black/Steel (set)		
24)	* Relief Door Assembly		360-926 Louver Front - Black/Brass (set)		
		173)	360-932 Louver Side - Black (set)		
32)	902-296 Brick Panel - Base - Side		360-934 Louver Side - Black/Gold (set)		
33)	902-297 Brick Panel - Base - Front		360-936 Louver Side - Black/Steel (set)		
34)	902-298 Brick Panel - Side		360-938 Louver Side - Black/Brass (set)		
35)	902-300 Brick Panel - Front				

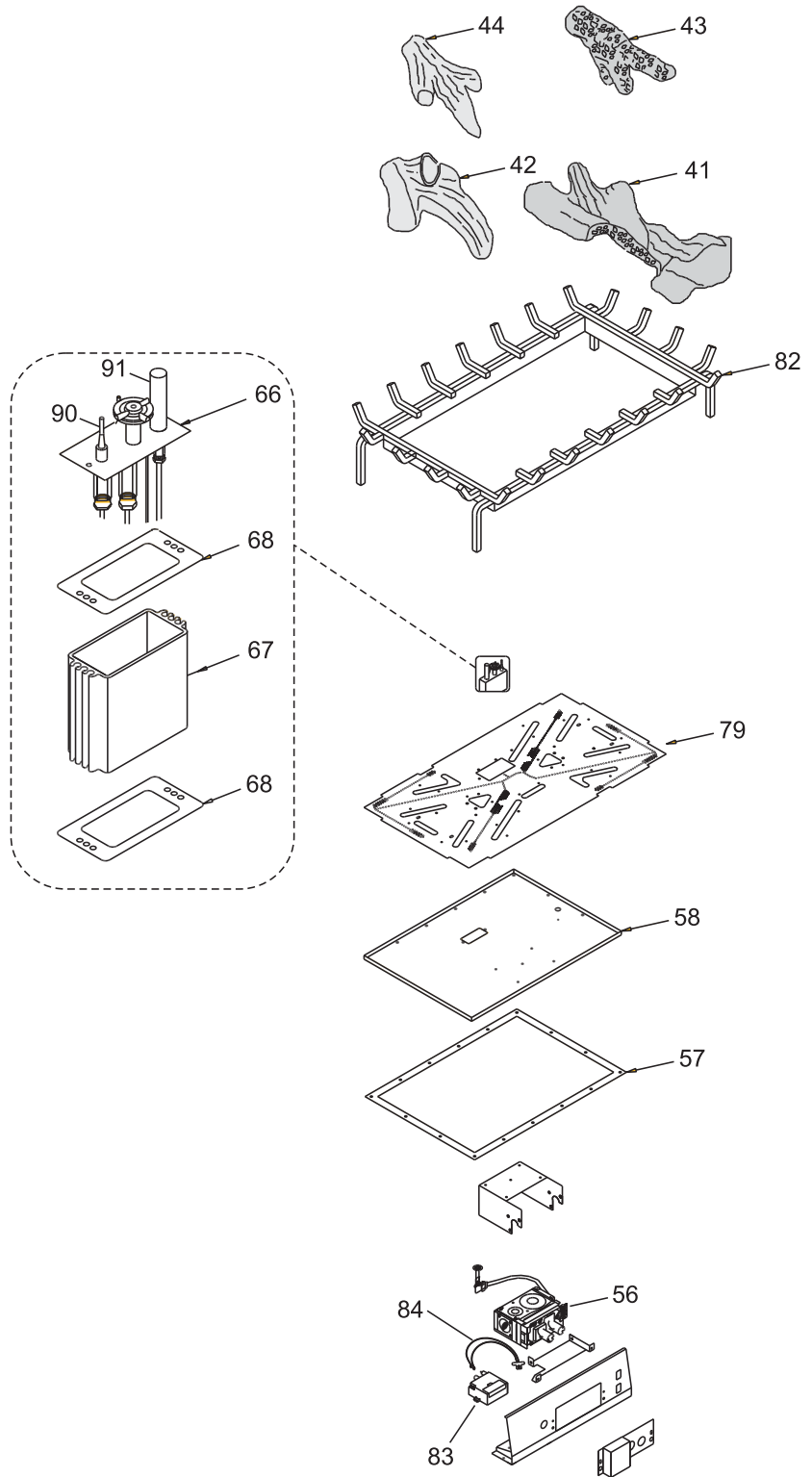


PARTS LIST

P121/P121LC/P121RC/P131 BURNER ASSEMBLY & LOG SET

Part #	Description
360-930	Log Set
41) *	Front Right Log
42) *	Front Left Log
43) *	Middle Left Log
44) *	Middle Right Log
360-574/P	Valve Assembly
56) 360-378/P	Valve S.I.T. - NG
57) 360-090	Gasket - Valve Tray
58) *	Valve Tray
66) 910-038	Pilot Assembly - NG
67) *	Pilot Holder
68) W840470	Pilot Assembly Gasket
69) 910-190	Piezo Ignitor and Nut
79) 360-525	Burner Assembly
82) 360-027	Grate Assembly
904-690	Orifice #31 - NG
936-170	Orifice Gasket
83) 910-073	Spark Generator Battery Holder
84) 910-074	Spark Generator Switch c/w Wire
90) 910-386	Thermocouple
91) 910-341	Thermopile

*Not available as a replacement part.



WARRANTY

Regency® Fireplace Products are designed with reliability and simplicity in mind. In addition, our internal Quality Assurance Team carefully inspects each unit thoroughly before it leaves our door. Regency® is pleased to extend this limited lifetime warranty to the original purchaser of a Regency® Product.

The Warranty: Lifetime

Covered under the agreement are the following components: Combustion chamber, heat exchanger, burner tubes, logs, embers, glass (thermal breakage) and all gold plating against defective manufacture.

NOTE: Gold Plated Barcelona Front - slight imperfections in the gold plating are due to the plating process and are not considered defects.

The above will be covered for parts and labour for the first five years and parts only thereafter.

Electrical components such as fans, switches, wiring, thermodiscs, remote control, thermopiles, thermocouples and gas valves are covered for one year from the date of purchase.

The warranty on brass parts is for one year, no labour. The brass is not warranted against tarnishing.

Conditions:

All installations must be performed by a qualified gas fitter and installed according to all applicable local and national codes. Also, all service work must be carried out by a qualified gas service person provided by the selling dealer. It is the responsibility of the installer to ensure that the appliance is firing as per rating plate. Any part or parts of this unit which in our judgement show evidence of such defect will be repaired or replaced at Regency®'s option, through an accredited distributor or agent provided that the defective part be returned to the distributor or agent **Transportation Prepaid**, if requested. In areas where there is not an approved service agent or the closest approved service agent is situated more than thirty (30) kilometres from the installation, Regency is not obliged to arrange warranty repairs and travel and/or additional labour charges will apply.

Exclusions:

This limited Lifetime Warranty does not extend to or include paint, door or glass gasketing or trim. It does not cover installation and operational related problems such as over-firing, downdrafts or spillage caused by environmental conditions, nearby trees, buildings, hilltops, mountains, inadequate flueing or ventilation, excessive offsets, negative air pressures caused by insufficient make up air, mechanical systems such as furnaces, fans, clothes dryers etc.

The warranty does not extend to any part or parts which show evidence of misuse or abuse, neglect, accident, lack of maintenance, or improper installation.

Products made by other manufacturers and used in conjunction with the operation of this appliance without authorization from Regency®, may nullify your warranty on this product.

Regency Fireplace Products, shall in no event be liable for any special, indirect consequential damages of any nature whatsoever which are in excess of the original purchase price of the product. Any alteration to the unit which causes sooting or carboning that results in damage to the exterior facia is not the responsibility of Regency.

General:

It is essential that all submitted claims provide all of the necessary information including purchase date, serial #, type of unit and part or parts requested.

SUBJECT TO CHANGE.

DISTRIBUTORS:	Western Australia	Eastern Australia
	Air Group Australia	Fireplace Products Australia PTY. Ltd.
	28-30 Division St.	1-3 Conquest Way
	Welshpool, WA 6106	Hallam, VIC 3803
	08 9350 2200	03 9799 7277

NOTE: PLEASE RETAIN YOUR INVOICE AS PROOF OF PURCHASE FOR WARRANTY VERIFICATION

INCORRECT INSTALLATION OR GAS PRESSURE SETTINGS ARE NOT COVERED BY WARRANTY

A SERVICE OR CALLOUT FEE WILL BE CHARGED IN THESE CIRCUMSTANCES.

Register your Regency® warranty online

www.regency-fire.com.au



Reasons to register your product online today!

- View and modify a list of all your registered products.
- Request automatic email notification of new product updates.
- Stay informed about the current promotions, events, and special offers on related products.
- Help assure you get the most out of your warranty.
- Eliminate confusion and frustration if warranty** service is required in the future.

** Proof of purchase required at time of warranty request.

Installer: Please complete the following information

Dealer Name & Address: _____

Installer: _____

Phone #: _____

Date Installed: _____

Serial No.: _____