



Energy™ E18E Gas Insert

**E18E-11 Installation Manual
For Both The Montigo &
Firesong Gas Fireplaces only**



www.regency-fire.com

MODELS: E18E-NG11 Natural Gas E18E-LP11 Propane

▲ Warning
Fire or explosion Hazard
failure to follow safety warnings exactly could result in serious injury, death, or property damage.

- Do not store or use gasoline or other flammable vapors and liquids in the vicinity of this or any other appliance.
- **WHAT TO DO IF YOU SMELL GAS**
 - Do not try to light any appliance.
 - Do not touch any electrical switch: do not use any phone in your building. Leave the building immediately.
 - Immediately call your gas supplier from a neighbour's phone. Follow the gas supplier's instructions.
 - If you cannot reach your gas supplier, call the fire department.
- Installation and service must be performed by a qualified installer, service agency or the gas supplier.



Certified to/Certifié pour: CSA 2.17-2017
ANSI Z21.88-2019
CSA 2.33-2019

Installer: Please complete the details on the back cover and leave this manual with the homeowner.
Homeowner: Please keep these instructions for future reference.

TABLE OF CONTENTS

Required Steps and Procedures for E18E Installation into the Following Montigo or Firesong Gas Fireplaces.....	3
Separating the Outer Firebox Shell from Inner Firebox	4
Modification of Montigo Econo Plus 28C	5-13
Modification of Montigo EP28-2, EP28-3 or EP28-5.....	14-17
Modification of Montigo EP28-S2	18-24
Modification of Montigo 28F or 28F-2.....	25-33
Modification of Montigo 28F-3	34-46
Modification of Montigo 36SR	47-54
Modification of Firesong 220N	55-59
Modification of Firesong 120N	60-70
E18 Installation into Existing Units.....	71-72

E18E-11

REQUIRED STEPS AND PROCEDURES FOR E18E INSTALLATION INTO THE FOLLOWING MONTIGO OR FIRESONG GAS FIREPLACES

IMPORTANT :

All original vent systems must be inspected for carbon/soot build up prior to installation of the E18E. The installer should also ensure prior to installation that the existing vent system is adequate for the rated input of this appliance (21,600 BTU NG/20,500 BTU LP).

Signs of white buildup (aldehydes) in the vent system would indicate that the appliance was not drafting properly due to vent height, diameter of vent, excessive offsets, negative pressure, kinks, etc.

Adhere to the local gas code within your jurisdiction for vent sizing.

Any venting system that causes the Regency E18E to not function as it should is not the responsibility of the manufacturer.

Only the models listed below are approved for use with the E18E-11.

- 1.Montigo EP28-2
- 2.Montigo EP28-4
- 3.Montigo EP28-5
- 4.Montigo Econo Plus 28C
- 5.Montigo EP28-S2
- 6.Montigo 36SR (Non powervent unit)
- 7.Montigo 28F-3
- 8.Montigo 28F-2
- 9.Montigo 28-F
- 10.Firesong 220N
- 11.Firesong 120N

The following will also need to be purchased separately

Part # 616-910 - Flue Adaptor for use on FS220N, 28-F, 28F-2, 28F-3, EP28-4, EP28-5, EconoPlus 28C.

Part # 616-911 - Flue Adaptor for use on FS120N only.

Part # 948-435 - Flex Liner Kit (4" x 35 Ft)/w Cap for use on 36SR only.

Note : The Montigo 36SR does not require a flue adaptor.

1. Locate model on existing ZC box - locate corresponding section in this manual.
2. Make necessary alteration to the ZC firebox as per manual.
3. Separate inner and outer fire box (see procedure in manual).
4. Remove flue adaptor for outer firebox.
5. Make necessary adjustment to flue adapter mounting plate as per manual.
6. Cut flex to required length and secure to top plate using 3 screws and washers.
7. Secure top plate flue adapter to ZC box.
8. Secure flue adapter to flex using 3 screws/washers.
9. Slide outer firebox into place, be sure flue adapter mounting screw doesn't hold unit up on installation.
10. Adjust left and right side legs on outer shell (depends on ZC box it is being installed in) - See details in manual.
11. Measure and align outer firebox as per manual, secure each corner using self tapping screws.
12. Install inner firebox into outer firebox, ensure draft hood bottom fits on top of draft hood slides, left side, right side and rear.
13. Secure inner firebox - 2 screws on top left and right side - using existing holes.
14. Secure inner firebox on bottom inside - 2 screws on each side. Be sure to re install panel brackets, and line up with existing holes.
15. Reinstall burner.
16. Make gas connection - check for leaks.
17. Install enamel panels.
18. Install Faceplate
19. Install Glass Crystals on burner.
20. Light pilot.
21. Install glass door.
22. Install thermostat.

Tools required (Suggested)

- Nibbler
- Oscillating tool / metal blades
- Tin snips
- Uni Bit/Step Drill
- Stove Bright Metallic
- Black high temp paint
- Drill/ 1/4" bit - Phillips bit
- Measuring tape
- Level
- Sharpie
- Shop vacuum
- Drop Cloth



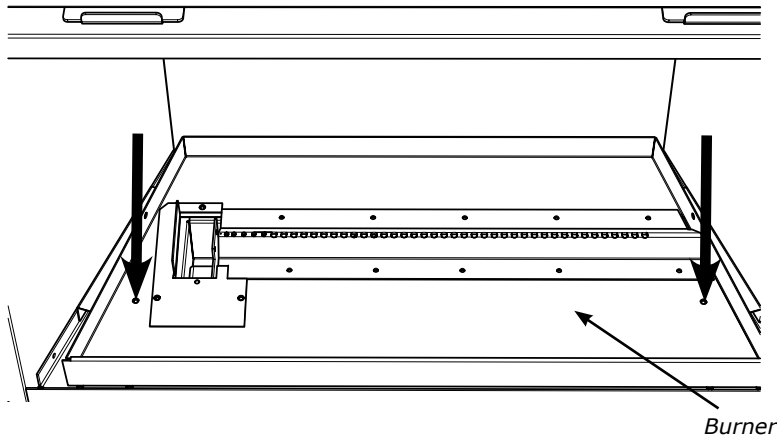
Optional:

- Plasma cutter
- Fibre drop sheet
- Fire extinguisher

E18E-11

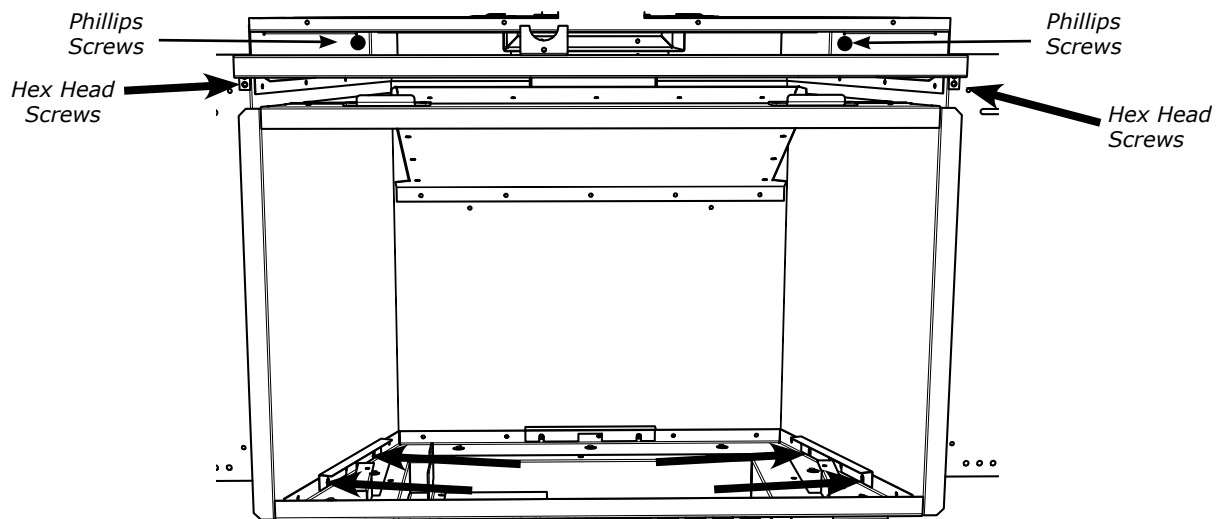
SEPARATING THE OUTER FIREBOX SHELL FROM INNER FIREBOX

1. Lay fireplace insert on flat surface (use a drop sheet to protect surface).
2. Remove Glass Door by removing 2 x Phillips screws at the bottom of Glass Door Frame.
3. Remove burner by removing 2 x Phillips screws, take note of how aeration adjustment rod is routed.



Aeration adjustment Rod

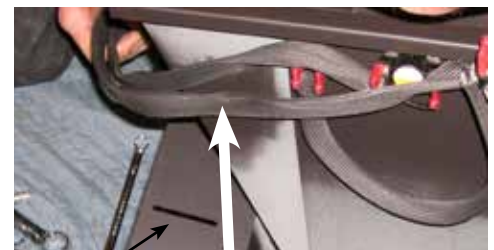
4. Remove 2 Phillips screws from top left and right side (Thermodisc bracket).
Remove 2 x 1/4" Hex head screws from top left side and right side of inner firebox.
Remove screws from these locations.



5. Remove 4 Phillips screws - 2 per side, located on the bottom base of the firebox. Place screws and panel brackets aside for reinstallation.
6. Carefully lift out the inner firebox and set aside until required. Use caution with sleeved wires on the left side, place inner firebox aside.
Note: be careful when placing the unit down not to damage the blower at the rear of the inner firebox.
7. Outer firebox shell is ready for installation.

Refer to particular approved appliance in which the E18E is being installed into for the following:

- Existing unit modifications
- Adaptor setting
- Required flex length
- Leg setting / outer shell position both need to be **exact** as measurements indicated.



Before separating Outer Shell and Unit— Ensure wiring harness is out of the way.

MODIFICATION OF MONTIGO ECONO PLUS 28C

1. Turn gas off to the unit, disconnect gas and power from unit.
2. Remove Top Louver Bars.
3. Remove Mesh Door Frame by removing 7 screws (See diagram below).



*Remove 7 screws - remove Mesh Door Frame
(if installed).*

4. Remove Upper Bracket by removing 2 screws.



Remove 2 screws - remove Top Bracket

E18E-11

5. Remove Bracket and Thermodisc by removing 2 screws.



Remove 2 screws - remove Thermodisc Bracket

6. Remove heat deflector by removing 3 bolts and nuts.



Remove 3 bolts and nuts to remove heat deflector.

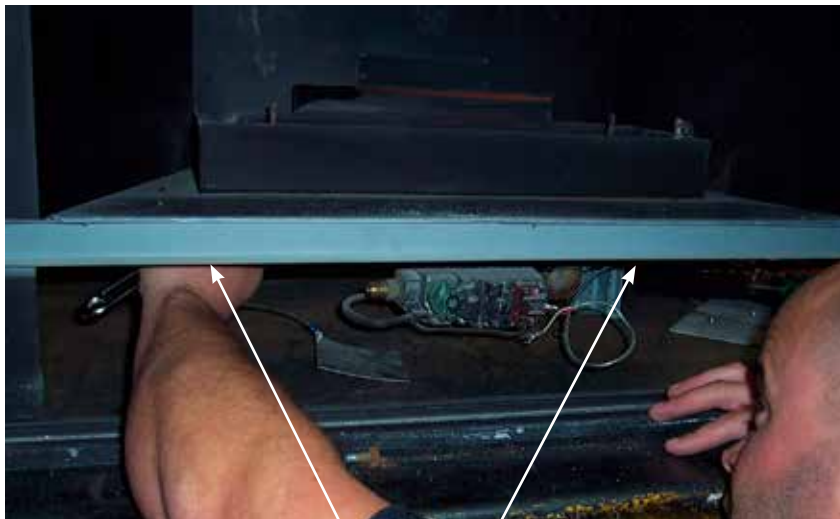
7. Remove the rear baffle.



Remove rear baffle

8. Remove 2 bolts from underneath, to remove valve, log tray, etc.

Note: Disconnect any switch & thermopile wires off the valve so they don't snag when removing.



Remove 2 bolts

9. Lift entire assembly out.



10. Remove Serial No. Decal attached to valve assembly and affix to wall of 28C firebox.



Montigo Serial Decal

11. Flatten left and right louver brackets.



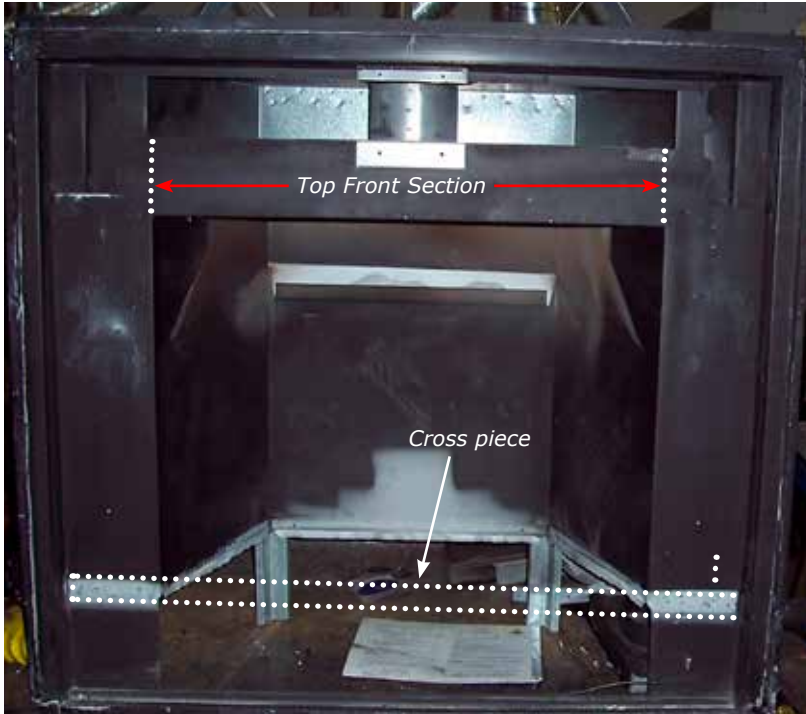
Flatten louver brackets

12. Flatten flange (left ,right and rear) in locations shown below.



Flatten flanges

- 13.** Cut to remove left and right cross piece at front of firebox.
Also cut top front section at dotted lines as shown below.
Note : it would be recommended to use eye and ear protection when using power tools.



Cut out front cross piece to remove

- 14.** Cut out back cross bar to complete modification. Fold back any excess metal after removing the cross piece.



Cut out back cross bar



Completed modification

- 15.** Prior to installing faceplate - use a #30 drill bit to drill out the rivets and remove upper trim / heat shield from outer Montigo 28C faceplate.
- 16.** Install new E18E outer faceplate to use as a template for measurements - ensure outer Faceplate is centered, mark and drill 2 holes per side. The pre drilled holes should line up with the outer shell holes. Remove outer faceplate and continue with E18E installation.



Install outer faceplate

E18E-11

Vent Connection and E18E Outer Shell Installation

This install of the E18E uses **Vent Connection Type A**. Use part # 616-910 Flue Adaptor E18 (FS220N,EP28F,EP28-4/5/C). This kit includes an adaptor plate, adaptor plate gasket, 4" ID x 8 1/2" Long flex pipe, screws/washers.

The Length of 4" (102 mm) Flex needed (included in the 616-910) is 4-1/8" (105 mm) semi-expanded. Secure adapter plate to under side of existing Montigo firebox using 4 self tapping screws (supplied). See diagram 1.

Note : The flex may need to be cut down to size as the flex supplied is 8 1/2" (216 mm) long.

Also See Installation of E18E into Existing Units for General Installation Guidance in this manual for Vent Configurations & Outer Shell Installation. Procedure to adjust the height of the outer firebox installed is shown on next page.

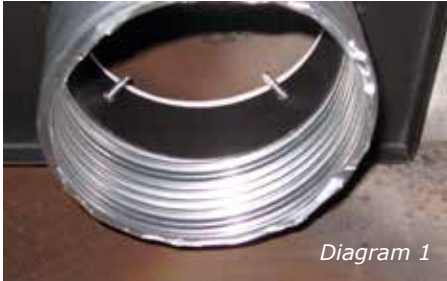


Diagram 1

Secure adapter plate to existing Montigo firebox w/4 screws/washers (supplied).

Disconnect vent slide plate from E18E and secure to flex pipe with 4 screws/washers. See diagram 2. Set vent slide plate to the fourth hole from the front. See diagram 3.

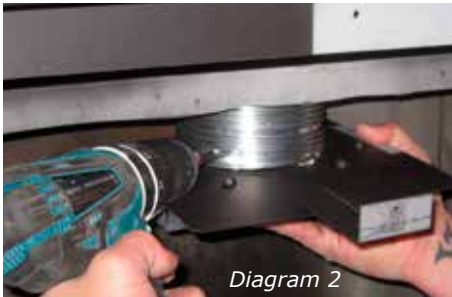
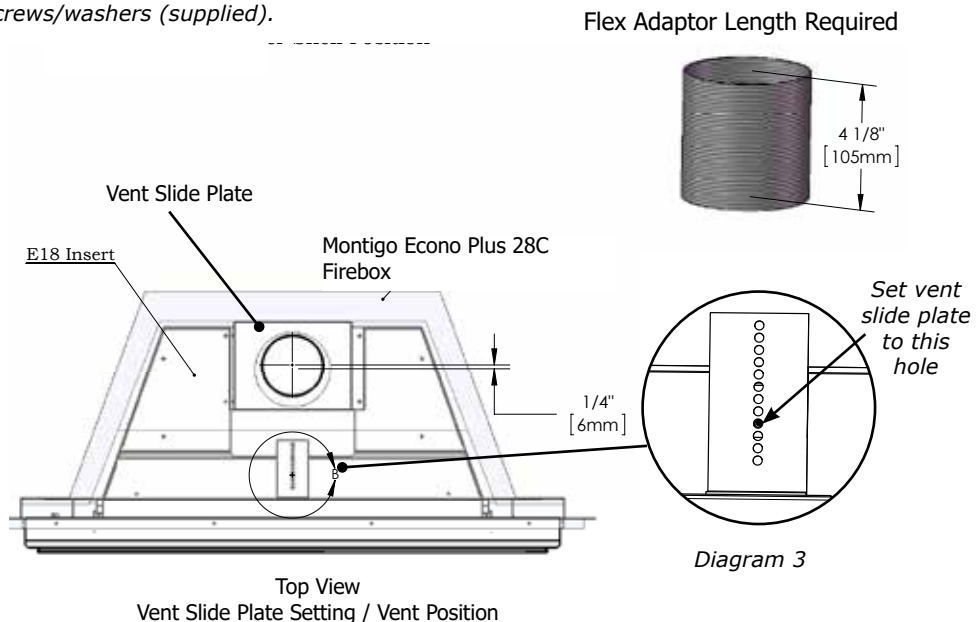


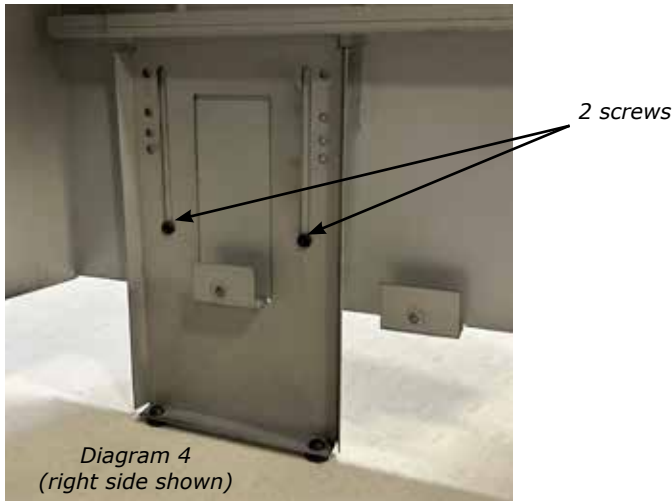
Diagram 2

Secure vent slide plate from E18E to flex pipe with 4 screws/washers (supplied).

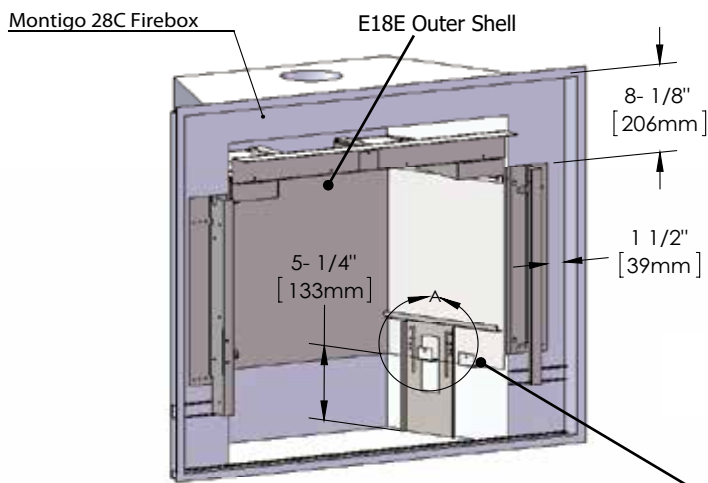


E18E-11

1. Loosen 2 x Phillips screws on both right and left legs. See diagram 4.

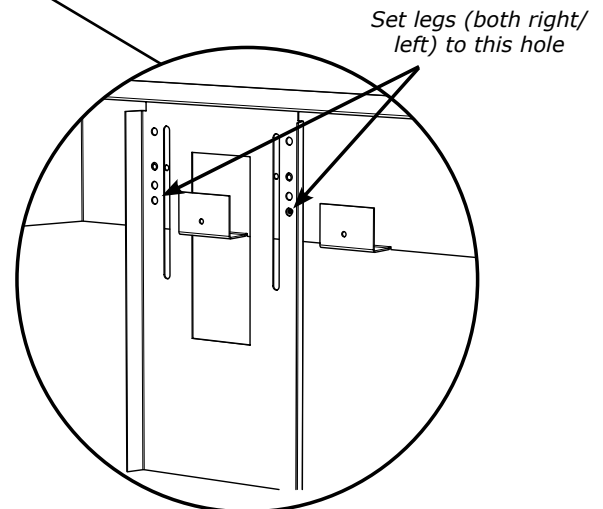


2. See diagram below for required leg setting.



Leg Setting / Outer Shell Position

3. Install with supplied Phillips screws to prepunched holes and tighten previous screws that were loosened in Step 1.
4. Keep left side leg loose until outer firebox is in position in ZC box - to allow adjustment of gas line.
5. See firebox installation in this manual. Faceplate, enamel or brick panels, glass burner, glass crystals, ceramic or volcanic stones or log tray and oak or driftwood log set can be found in the other manual titled Owner's and Installation anual to complete installation.



Right side shown

MODIFICATION OF MONTIGO EP28-2, EP28-4 OR EP28-5

*Units could have any of the following Log Sets Installed: 2LB (2 Log Set), MB (2 Log Set), 4LB (4 Log Set)

1. Turn gas off to the unit, disconnect gas and power from unit.
2. Remove Upper and Lower Louvers.
3. Remove Optional Doors or Screen Mesh.
4. Remove Logs.
5. Remove Bottom Door Rail (See Diagram 5.1).
6. Remove Burner Assembly (See Diagram 5.1).

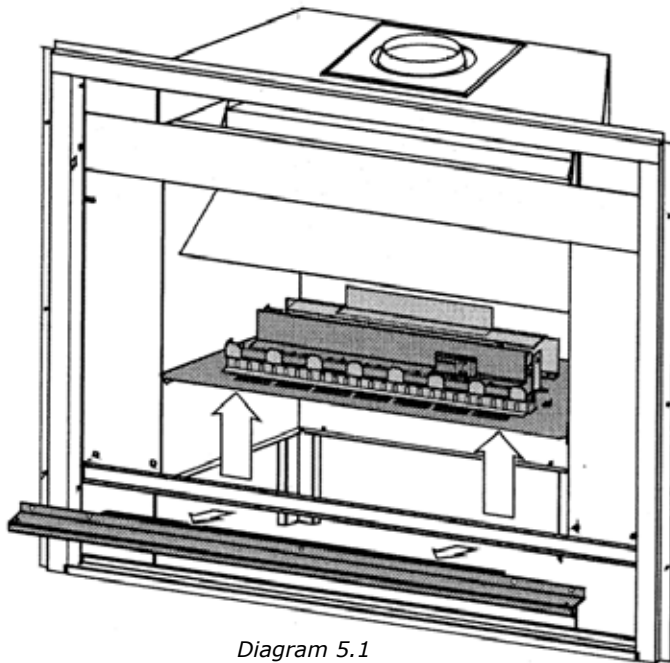


Diagram 5.1

7. Cut the front bar out on the left and right sides of the firebox. (See Diagram 5.2). Grind the corners smooth on the left side - to reduce the risk of wires being cut. Alternate method is to cut front bar in the center and break off each side spot weld completely.
Note: It would be recommended to use eye and ear protection.

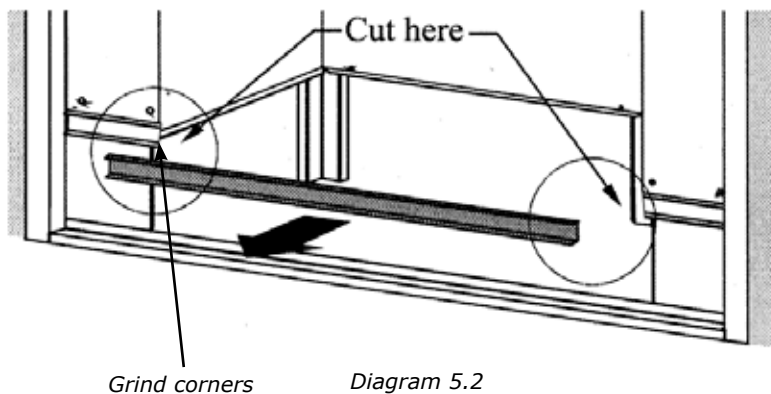


Diagram 5.2

E18E-11

8. Remove hood and inner baffle (See Diagram 5.3).

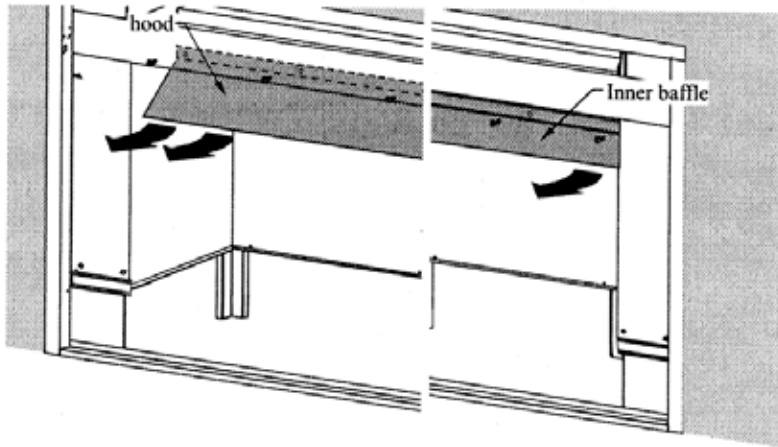


Diagram 5.3

9. Bend down the three flanges at the bottom of the firebox or cut them off (See Diagram 5.4).



Diagram 5.4

IMPORTANT: Modified edges must be flush to allow proper seating of the E18E outer shell.

E18E-11

Vent Connection and E18E Outer Shell Installation

This install of the E18E uses **Vent Connection Type A**. Use part # 616-910 Flue Adaptor E18 (FS220N,EP28F,EP28-4/5/C). This kit includes an adaptor plate, adaptor plate gasket, 4" (102 mm) ID x 8 1/2" (216 mm) Long flex pipe, screws/washers.

The length of 4" (102 mm) Flex needed is 4 -1/8" (105 mm) semi-expanded. Secure adapter plate to under side of existing Montigo firebox using 4 self tapping screws (supplied). See diagram 1.

Note : The flex may need to be cut down to size as the flex supplied is 8 1/2" (216 mm) long.

The height of the unit installed is shown below.

Also See Installation of E18E into Existing Units for General Installation Guidance in this manual for Vent Configurations & Outer Shell Installation. Procedure to adjust the height of the outer firebox installed is shown on next page.



Diagram 1
Secure adapter plate to existing Montigo firebox w/4 screws/washers (supplied)

Disconnect vent slide plate from E18E and secure to flex pipe with 4 screws/washers. See diagram 2. Set vent slide plate to the fourth hole from the front. See diagram 3.



Diagram 2
Secure vent slide plate from E18E to flex pipe with 4 screws/washers (supplied)

Flex Adaptor Length Required

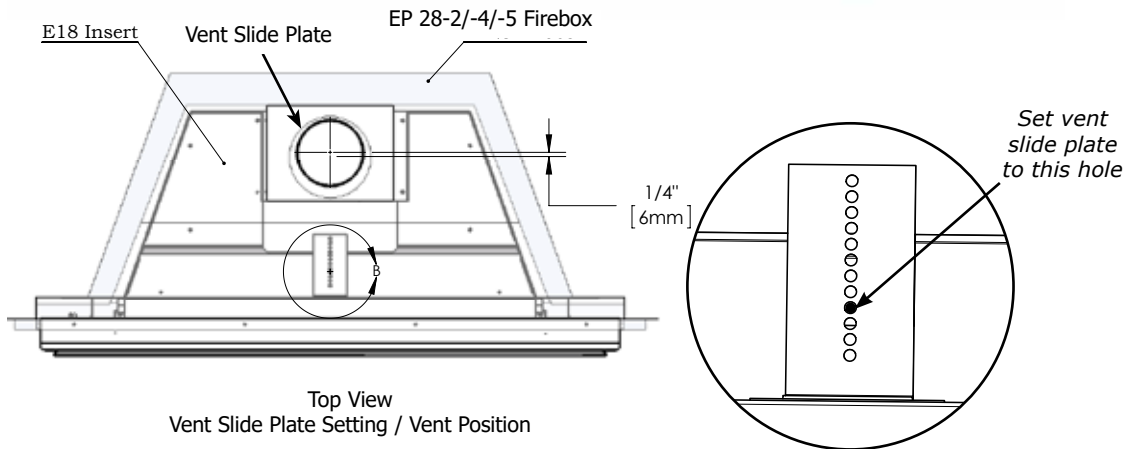
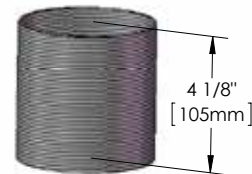
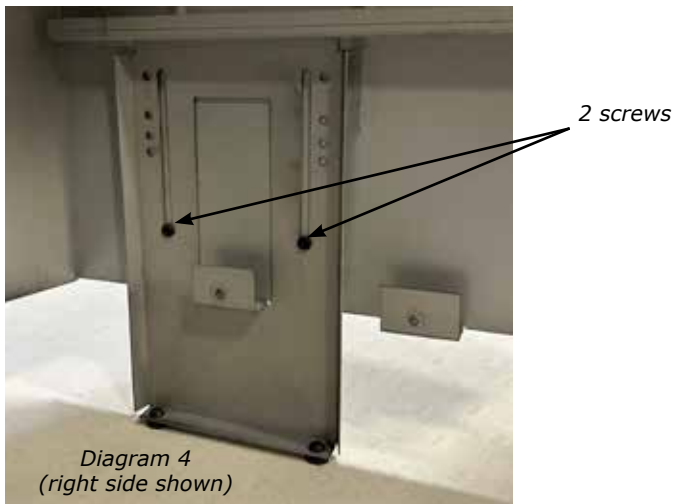


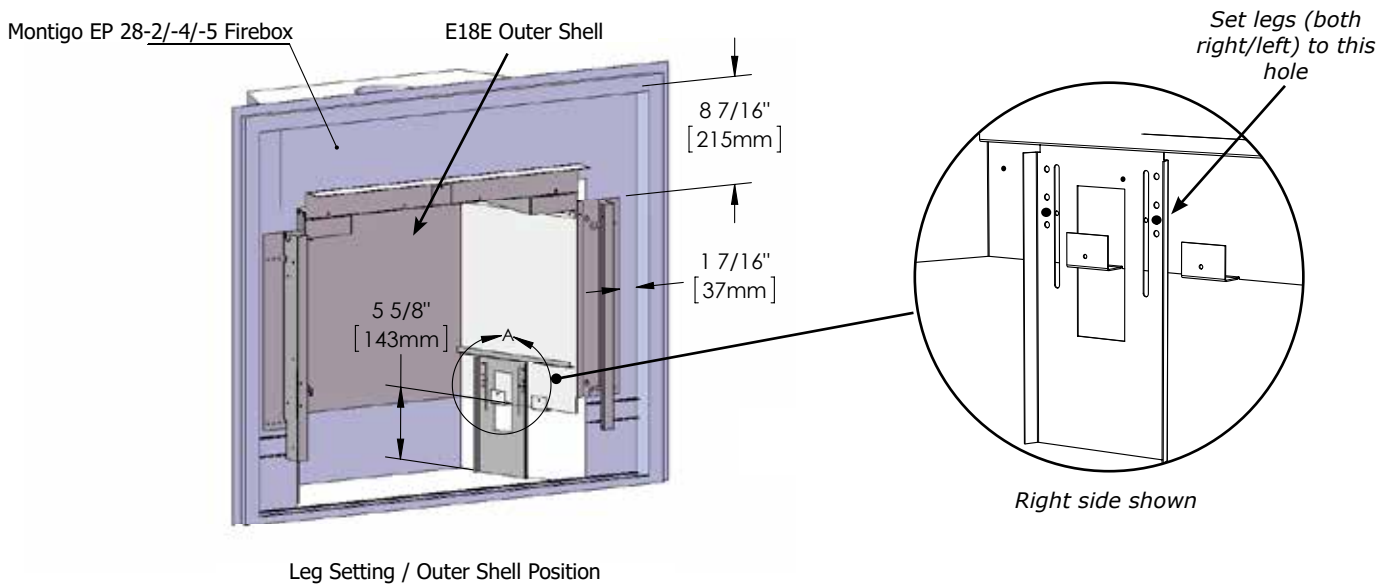
Diagram 3

E18E-11

1. Loosen 2 x Phillips screws on both right and left legs. See diagram 4.



2. See diagram below for required leg setting.



3. Install with supplied Phillips screws to pre-punched holes and tighten previous screws that were loosened in Step 1.
4. Keep left side leg loose until outer firebox is in position in ZC box - to allow adjustment of gas line.
5. See firebox installation in this manual. Faceplate, enamel or brick panels, glass burner, glass crystals, ceramic or volcanic stones or log tray and oak or driftwood log set can be found in the other manual titled Owner's and Installation manual to complete installation.

MODIFICATION OF MONTIGO EP28-S2

*S2 comes with a 6 piece Log Set.

1. Turn gas off to the unit, disconnect gas and power from unit.
2. Remove Top and Bottom Louvers.
3. Remove Glass Door by removing 4 screws (See Diagram 6.1).

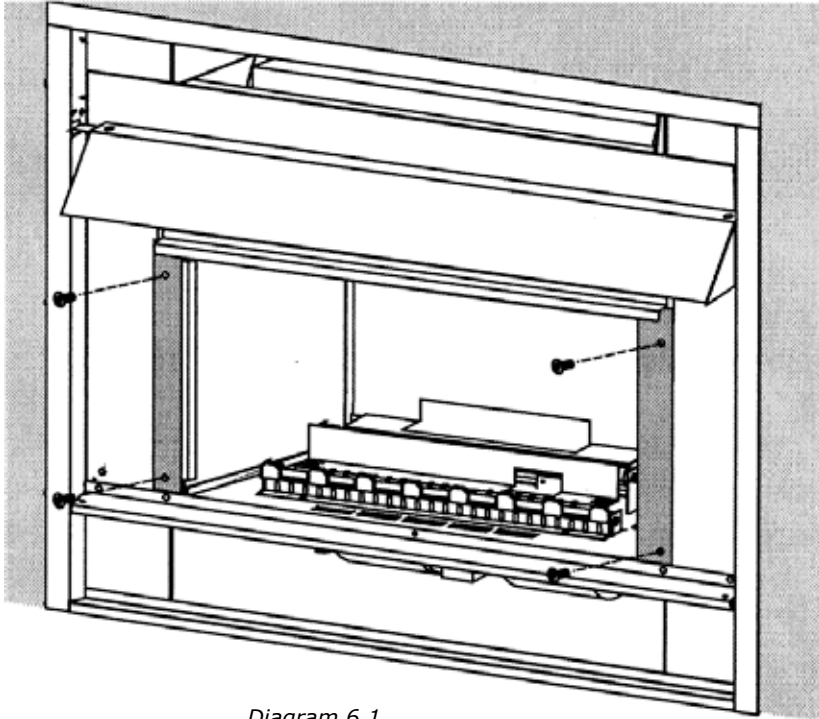


Diagram 6.1

4. Remove Side Filler Plates and Front Hood (See Diagram 6.2).

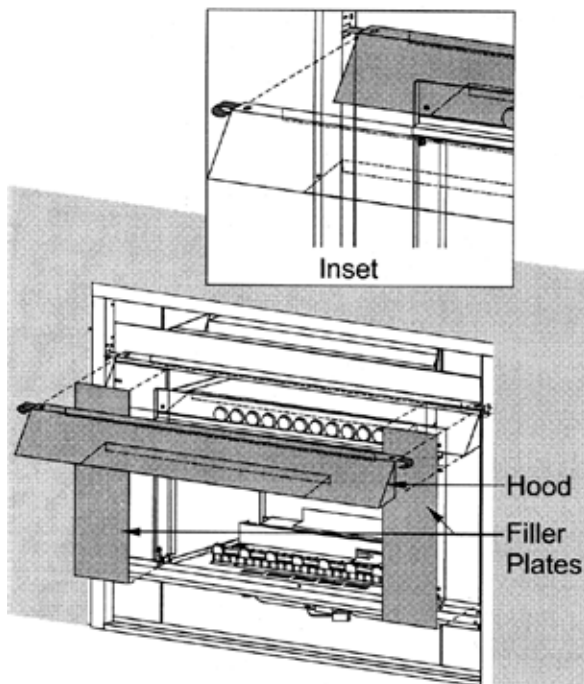


Diagram 6.2

5. Remove Front Bar (See Diagram 6.3).

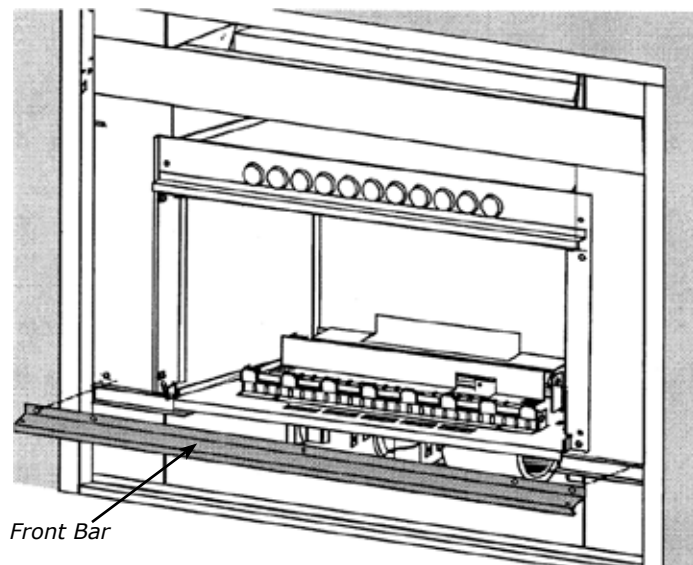


Diagram 6.3

6. Remove Primary and Secondary Limit Switches along with all wiring (See Diagram 6.4).

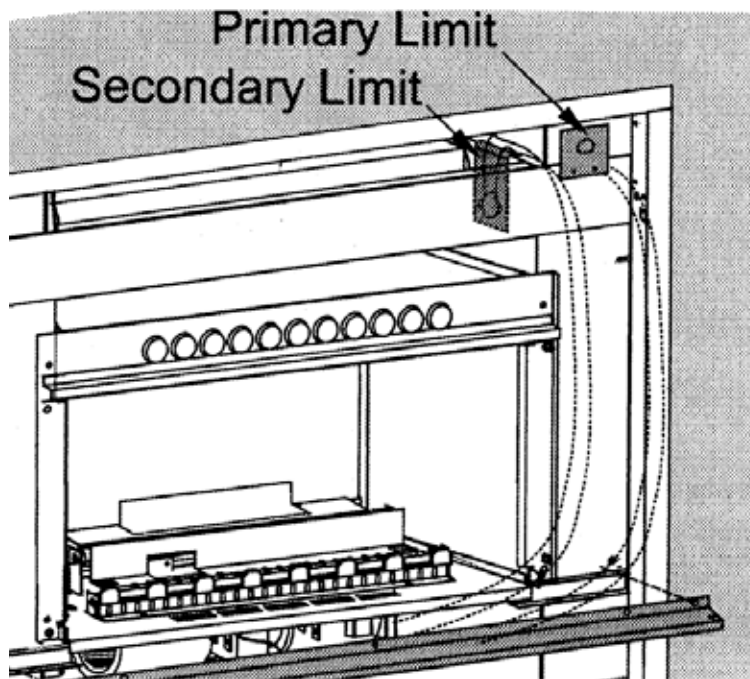


Diagram 6.4

7. Remove Insert (See Diagram 6.5).

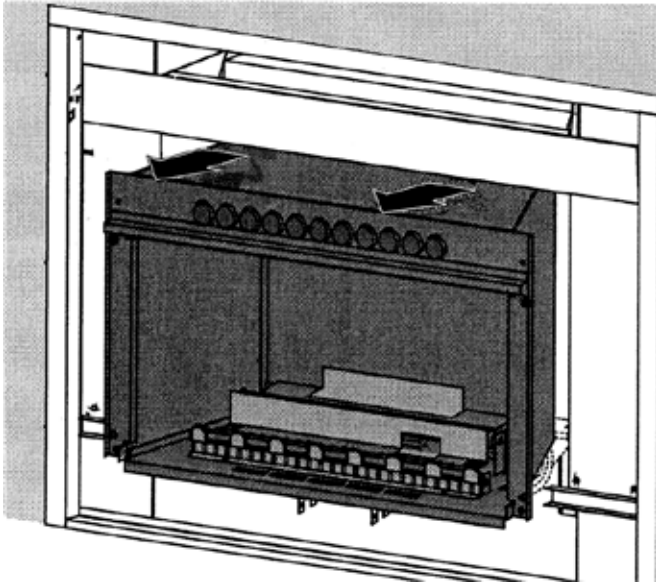


Diagram 6.5

8. Remove Efficiency Collar (See Diagram 6.6).

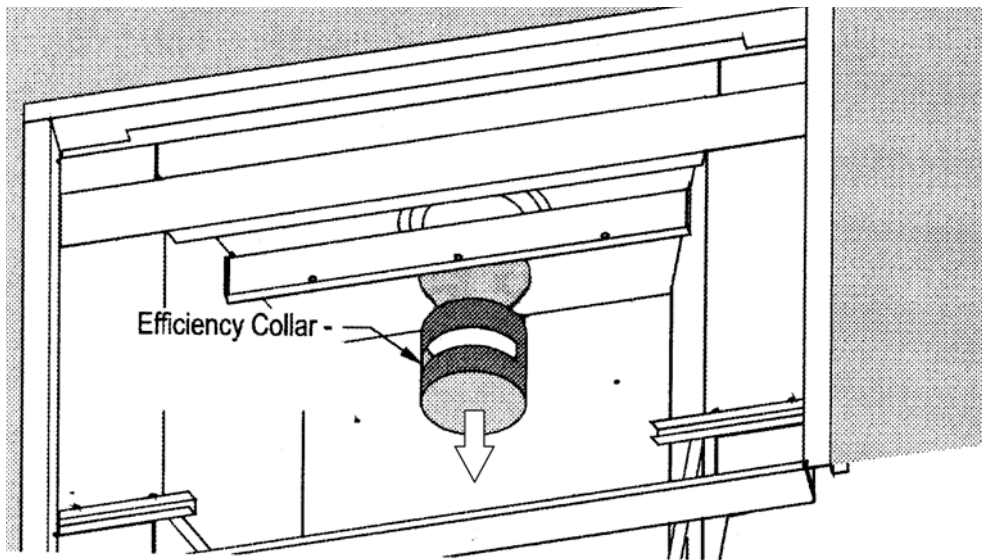


Diagram 6.6

9. Remove Fan (See Diagram 6.7).

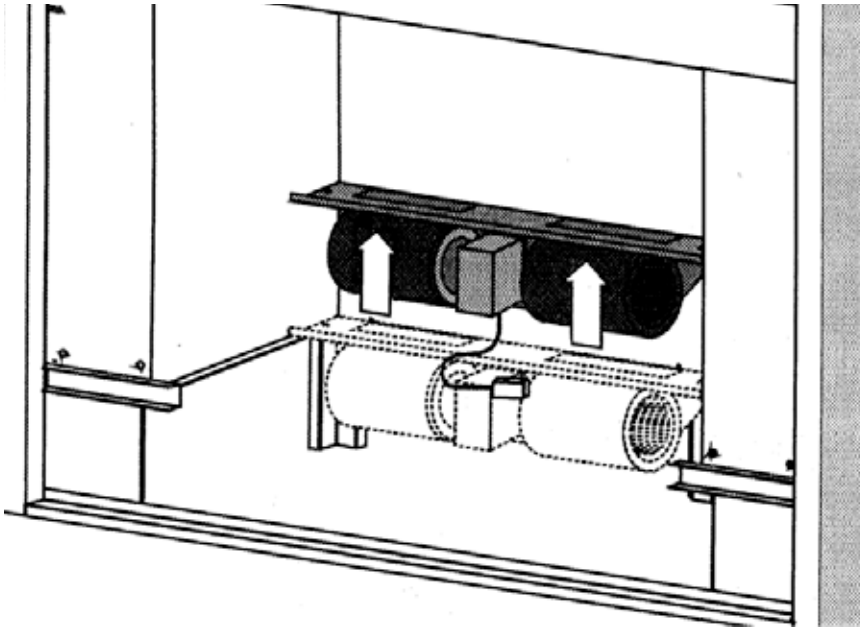


Diagram 6.7

10. Remove the leftover ends of the front bar on the Left and Right sides so that they are flush with the sides of the firebox. (See Diagram 6.8)

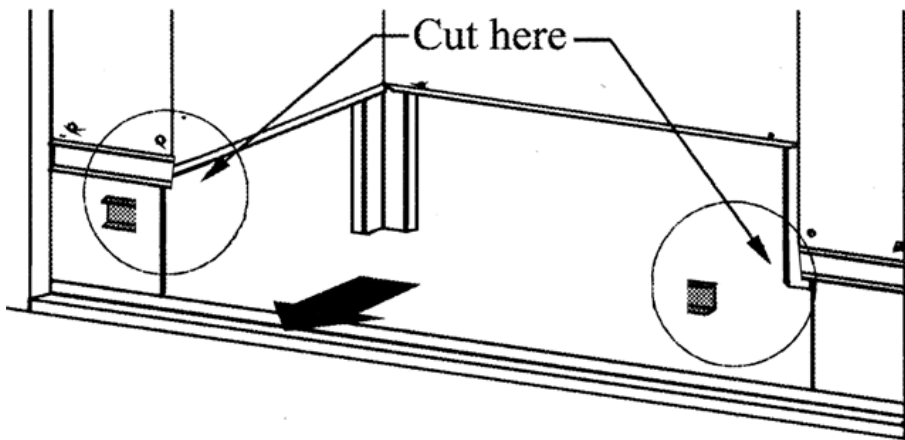


Diagram 6.8

E18E-11

11. Bend Down the Three Flanges at the Bottom of the Firebox or Cut them Off (see Diagram 6.9).



*Diagram 6.9
Edges must be flush to allow proper seating of the
E18E outerbox.*

E18E-11

Vent Connection and E18E Outer Shell Installation

This install of the E18E uses **Vent Connection Type A**. Use part # 616-910 Flue Adaptor E18 (FS220N,EP28F,EP28-4/5/C). This kit includes an adaptor plate, adaptor plate gasket, 4" (102 mm) ID x 8 1/2" (216 mm) Long flex pipe,screws/washers.

The length of 4" (102 mm) Flex needed is 4 -1/8" (105 mm) semi-expanded.

Secure flue adaptor top plate to under side of existing firebox using 4 self tapping screws (supplied). See diagram 1.

Note : The flex may need to be cut down to size as the flex supplied is 8 1/2" (216 mm) long.

The height of the unit installed is shown below.

Also See Installation of E18E into Existing Units for General Installation Guidance in this manual for Vent Configurations & Outer Shell Installation. Procedure to adjust the height of the outer firebox installed is shown on next page.



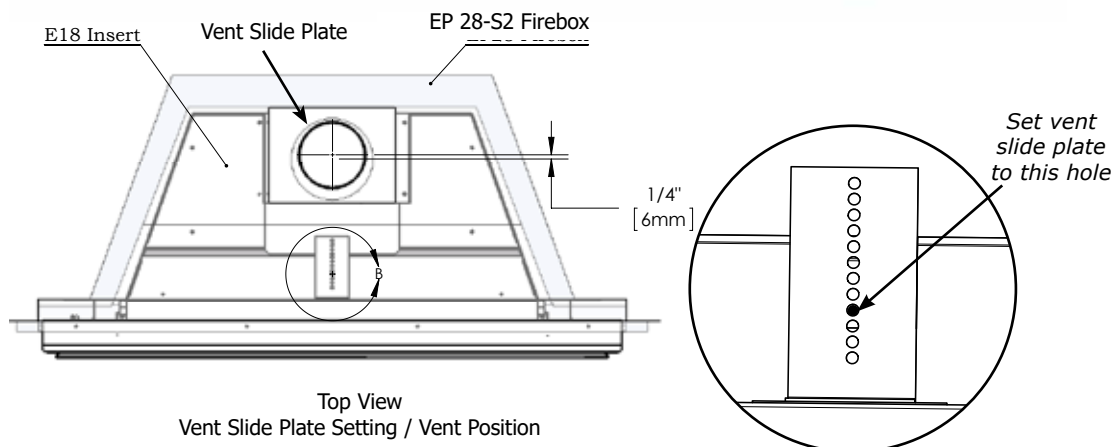
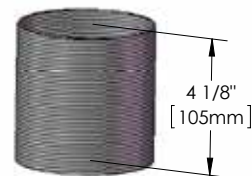
*Diagram 1
Secure adaptor plate to existing
Montigo firebox w/4 screws/washers
(supplied)*

Disconnect vent slide plate from E18E and secure to flex pipe with 4 screws/washers. See diagram 2. Set vent slide plate to the fourth hole from the front. See diagram 3.



*Diagram 2
Secure vent slide plate from E18E
to flex pipe with 4 screws/washers
(supplied)*

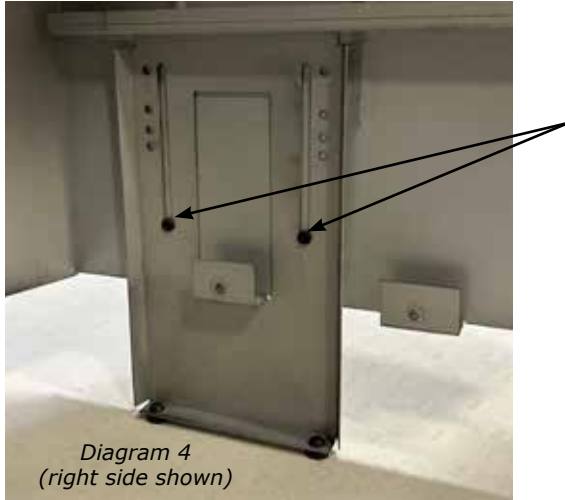
Flex Adaptor Length Required



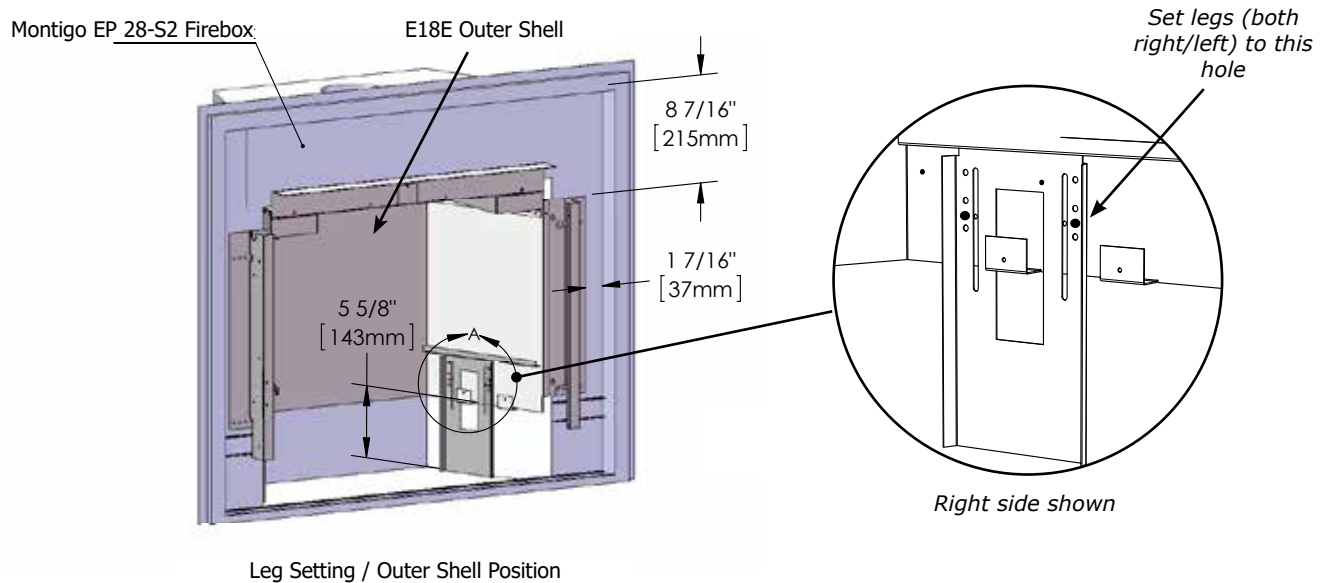
Top View
Vent Slide Plate Setting / Vent Position

E18E-11

1. Loosen 2 x Phillips screws on both right and left legs. See diagram 4.



2. See diagram below for required leg setting.



3. Install with supplied Phillips screws to pre-punched holes and tighten previous screws that were loosened in Step 1.
4. Keep left side leg loose until outer firebox is in position in ZC box - to allow adjustment of gas line.
5. See firebox installation in this manual. Faceplate, enamel or brick panels, glass burner, glass crystals, ceramic or volcanic stones or log tray and oak or driftwood log set can be found in the other manual titled Owner's and Installation manual to complete installation.

MODIFICATION OF MONTIGO 28F OR 28F-2

1. Turn gas off to the unit, disconnect gas and power from unit.
2. Remove Top and Bottom Louvers.
3. Remove Screen Mesh (See Diagram 7.1) or Bifold Doors.



Diagram 7.1

4. Remove Logs and Sand from Sand Pan.
5. Remove Front Bar with 1/4" hex head screwdriver. (See Diagram 7.2).



Diagram 7.2

6. Disconnect Pilot Gas Line and Pilot Thermopile from the Valve.
Disconnect Thermostat wires from valve.



Diagram 7.3

7. Disconnect Valve from the Main Burner Line (See Diagram 7.4).
Note: You could also use a sawzall to cut the nipple and then remove the valve.



Diagram 7.4

8. Unscrew left and right side nuts using a wrench, under the firebox, holding down the Sand Pan. (see Diagram 7.5)



Diagram 7.5

9. Remove Sand Pan and Pilot Assembly (see diagram 7.6).
Note : it would be a good idea to remove the sand from the sand pan burner using a shop vacuum.



Diagram 7.6

E18E-11

10. Cut out the Bottom of the Firebox (See Diagram 7.7).

 Cut must be clean - with Max. 1/4" of material left.

Note : it would be recommended to use eye and ear protection.



Diagram 7.7

11. Cut both sides of the Top Face (See Diagram 7.8).



Diagram 7.8

12. Bend Top Face Down (See Diagram 7.9).



Diagram 7.9

13. Measure and draw a clear line 1" below the bottom of the exhaust collar. Draw the line the full width of the unit (See Diagram 7.10).



Diagram 7.10

14. Cut the Sides of the Top of the Firebox Flush with the Sides of the Firebox and Cut the Top of the Firebox 1" below the bottom of the Exhaust Collar (See Diagram 7.11 and 7.12).

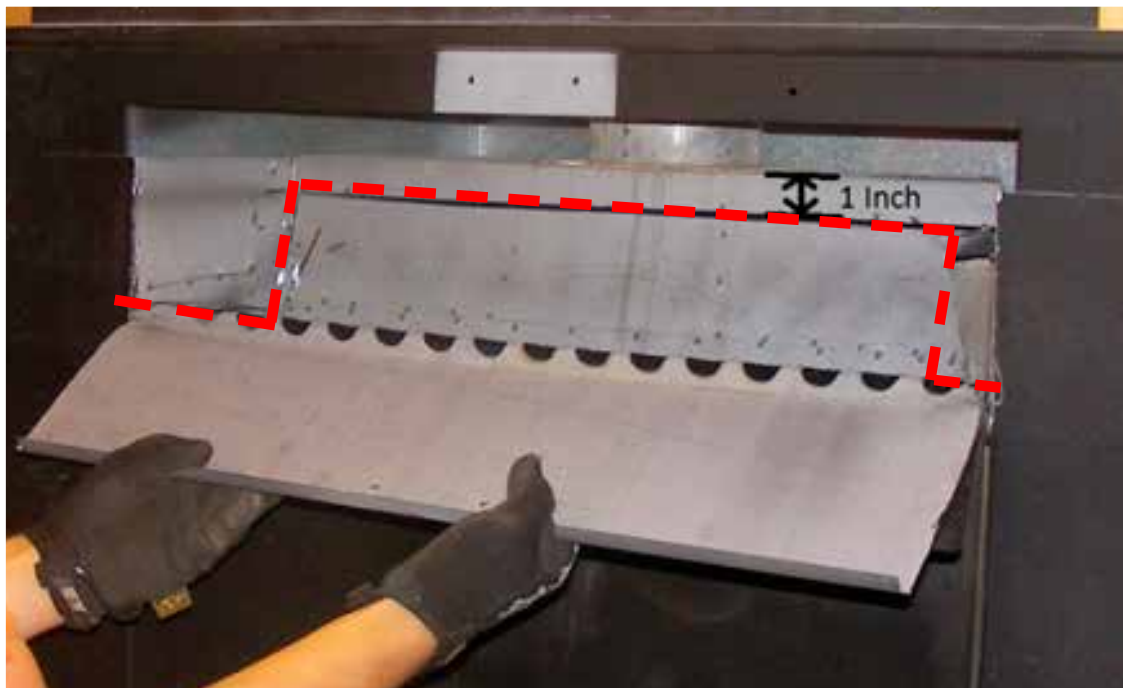


Diagram 7.11



Diagram 7.12

14. Bend the Louver Mounts Flat. (See Diagram 7.13)



Diagram 7.13

15. Final Firebox should look like Diagram 7.14.



Diagram 7.14

Modified edges must be flush to allow proper seating of the E18E outerbox.

Vent Connection and E18E Outer Shell Installation

This install of the E18E uses **Vent Connection Type A**. Use part # 616-910 Flue Adaptor E18 (FS220N,EP28F/F2,EP28-4/5/C). This kit includes an adaptor plate, adaptor plate gasket, 4" ID x 8 1/2" Long flex pipe, screws/washers.

The Length of 4" Flex needed (included in the 616-910) is 2 5/8" semi-expanded. Secure adapter plate to under side of existing Montigo firebox using 4 self tapping screws (supplied). See diagram 1.

Note: The flex will need to be cut down to size as the flex supplied is 8 1/2" (216 mm) long.

Also See Installation of E18E into Existing Units for General Installation Guidance in this manual for Vent Configurations & Outer Shell Installation. Procedure to adjust the height of the outer firebox installed is shown on next page.

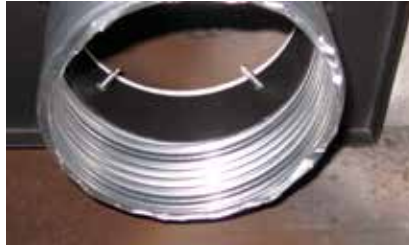


Diagram 1

Secure adapter plate to existing Montigo firebox w/4 screws/washers (supplied).

Disconnect vent slide plate from E18E and secure to flex pipe with 4 screws/washers. See diagram 2. Set vent slide plate to the fourth hole from the front. See diagram 3.



Diagram 2

Secure vent slide plate from E18E to flex pipe with 4 screws/washers (supplied)

Flex Adaptor Length Required

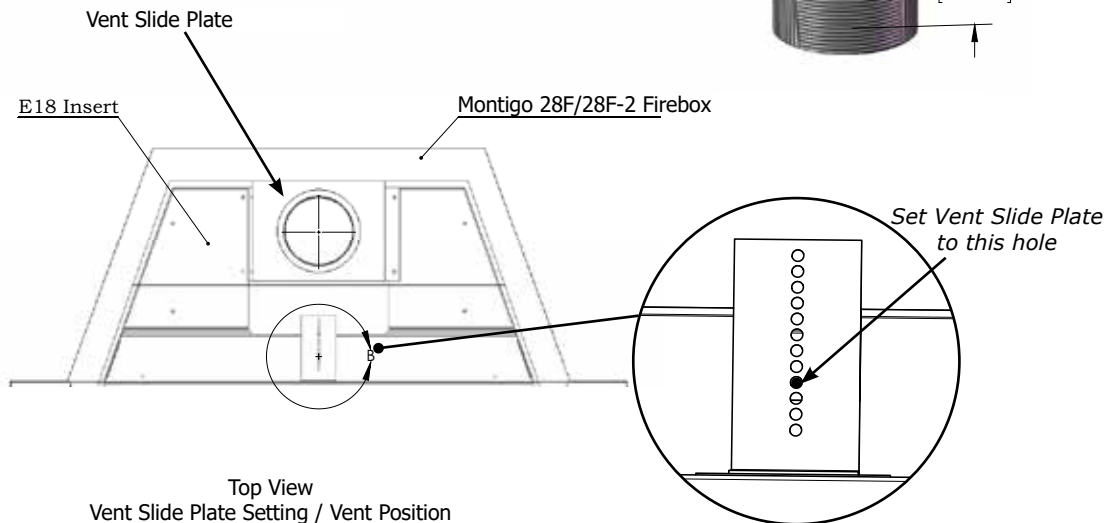
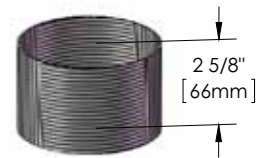
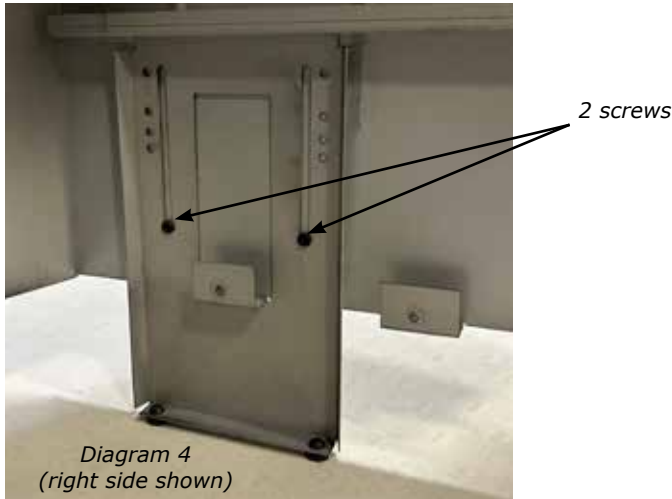


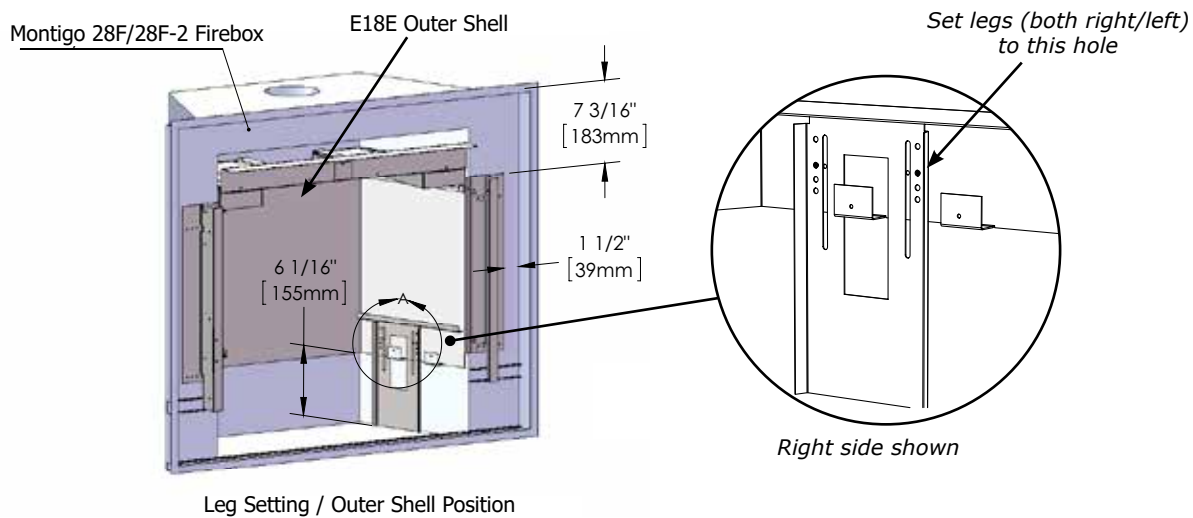
Diagram 3

E18E-11

1. Loosen 2 x Phillips screws on both right and left legs. See diagram 4.



2. See diagram below for required leg setting.



3. Install with supplied Phillips screws to pre-punched holes and tighten previous screws that were loosened in Step 1.
4. Keep left side leg loose until outer firebox is in position in ZC box - to allow adjustment of gas line.
5. See firebox installation in this manual. Faceplate, enamel or brick panels, glass burner, glass crystals, ceramic or volcanic stones or log tray and oak or driftwood log set can be found in the other manual titled Owner's and Installation manual to complete installation.

MODIFICATION OF MONTIGO 28F-3

1. Turn gas off to the unit, disconnect gas and power from unit.
2. Remove Top and Bottom Louvers.
3. Remove Screen Mesh (See Diagram 1) or Bifold Doors.



Diagram 1

4. Remove Logs and Sand from Sand Pan (see diagram 2).
Note : it would be a good idea to remove the sand from the sand pan burner using a shop vacuum.
5. Disconnect Pilot Gas Line and Pilot Thermopile from the Valve. Disconnect Thermostat wires from valve (see diagram 2).



Diagram 2

E18E-11

6. Disconnect valve from main burner Line (See Diagram 3).

Note: You could also use a sawzall to cut the nipple and then remove the valve.



Diagram 3

7. Unscrew left and right side nuts using a wrench, under the firebox, holding down the Sand Pan. (see Diagram 4)



Diagram 4

8. Remove sand pan and pilot assembly.



Note: Shown with sand which would have been removed in step 4.

Diagram 5

9. Cut the plate located at the bottom of the firebox, see diagram 6.

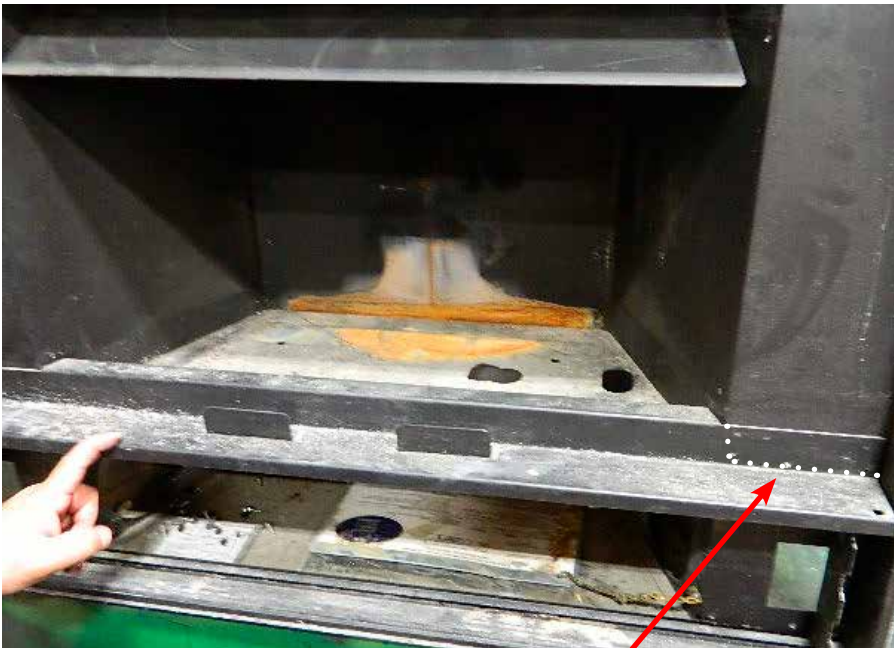


Diagram 6

Cut here to remove bar

10. Cut out the bottom of the Firebox (See Diagram 7)
Cut must be clean - with Max. 1/4" of material left.
Note: It would be recommended to use eye and ear protection.



Diagram 7



Diagram 8

Cut here to remove

11. Unscrew the top bar from location shown below. See diagram 9.



Diagram 9

12. Unscrew the top plate located between the 2 fixed bars. See diagram 10.



Diagram 10

13. Unscrew the plate locating underneath. See diagram 11.

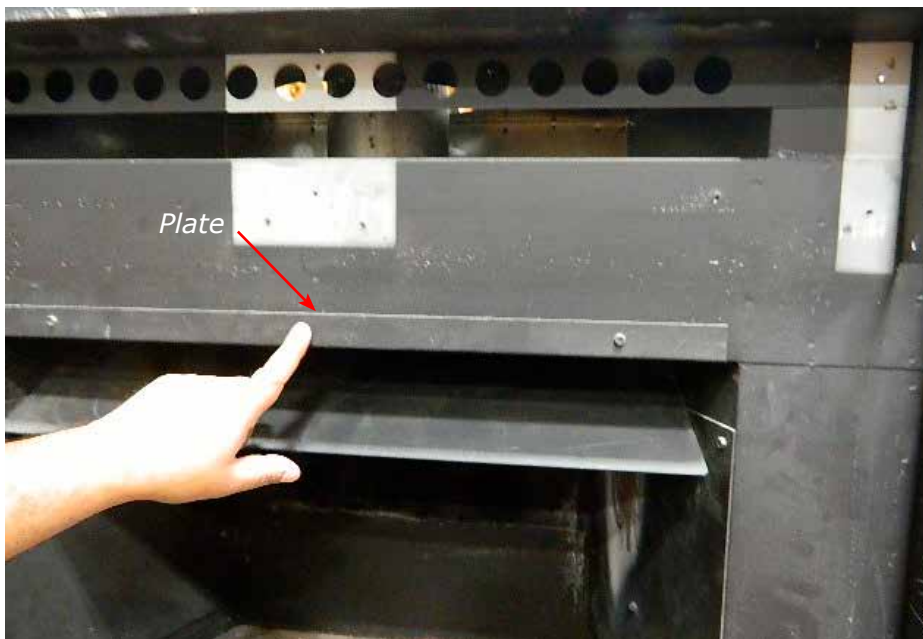


Diagram 11

E18E-11

14. Unscrew the left & right side* and back plates located in the firebox. See diagrams 12 & 13.
***Not all unit have side plates.**



Diagram 12



Diagram 13

15. Remove the inside plate located at the rear of the cut plate. See diagram 14.



Diagram 14

16. Cut the sides of the top face. See diagram 15.
Note: It would be recommended to use eye and ear protection.



Diagram 15

E18E-11

17. Bend top face down (See Diagrams 16 & 17).



Diagram 16



Diagram 17

E18E-11

18. Measure and draw a straight line 1" below the bottom of the exhaust collar. Draw the line the full width of the unit.
Cut the sides of the top of the firebox flush with the sides of the firebox and cut the top of the firebox 1" below the bottom of the exhaust collar. The complete top section can now be removed (See Diagram 18 below).

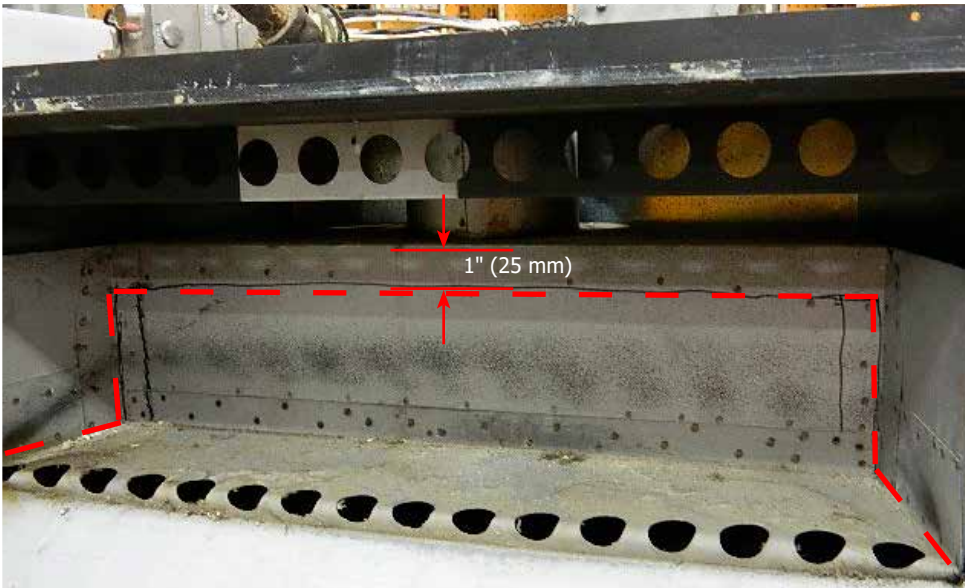


Diagram 18

19. Bend the Louver mounts until they lay flush. (See diagram 19)



Diagram 19

20. Final modified firebox should look similar to Diagram 20 below.
Note: Clean up any sharp edges.



Diagram 20

Vent Connection and E18E outer Shell Installation

This install of the E18E uses **Vent Connection Type A**. Use part # 616-910 Flue Adaptor E18 (FS220N,EP28F/F2,EP28-4/5/C). This kit includes an adaptor plate, adaptor plate gasket, 4" ID x 8 1/2" Long flex pipe,screws/washers.

The Length of 4" Flex needed (included in the 616-910) is 2 5/8" semi-expanded. Secure adapter plate to under side of existing Montigo firebox using 4 self tapping screws (supplied). See diagram 1.

Note: The flex will need to be cut down to size as the flex supplied is 8 1/2" (216 mm) long.

Also See Installation of E18E into Existing Units for General Installation Guidance in this manual for Vent Configurations & Outer Shell Installation. Procedure to adjust the height of the outer firebox installed is shown on next page.

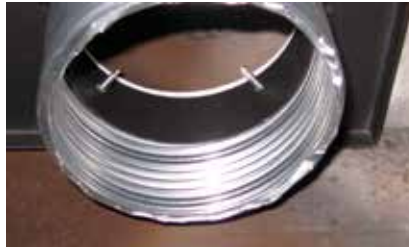


Diagram 1

Secure adapter plate to existing Montigo firebox w/4 screws/washers (supplied).

Disconnect vent slide plate from E18E and secure to flex pipe with 4 screws/washers. See diagram 2. Set vent slide plate to the fourth hole from the front. See diagram 3.



Diagram 2

Secure vent slide plate from E18E to flex pipe with 4 screws

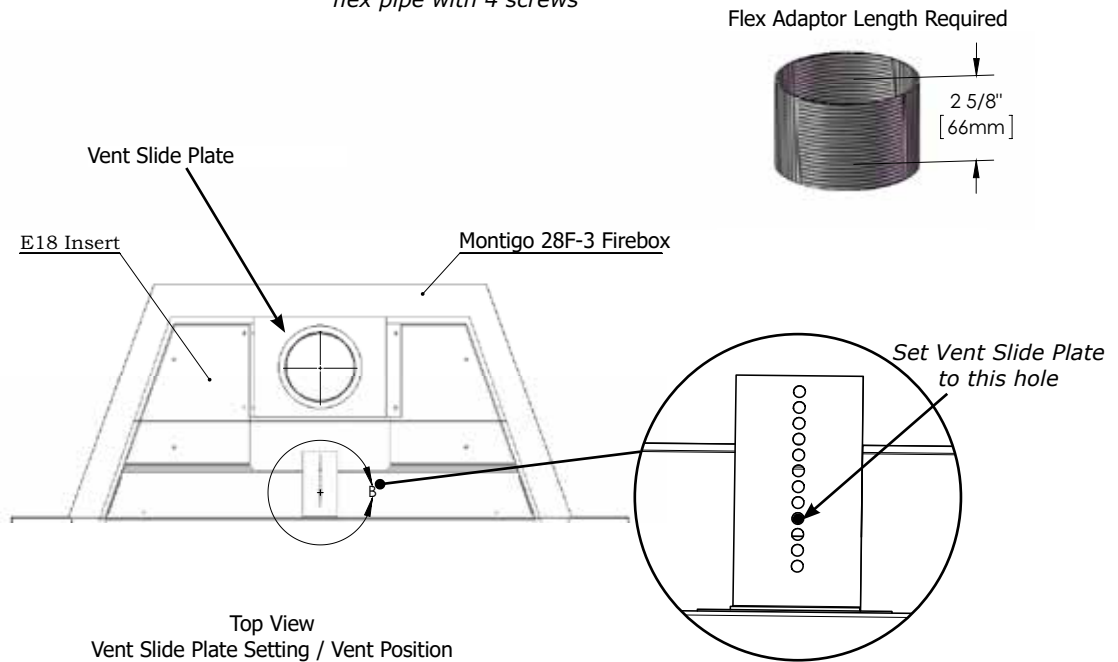
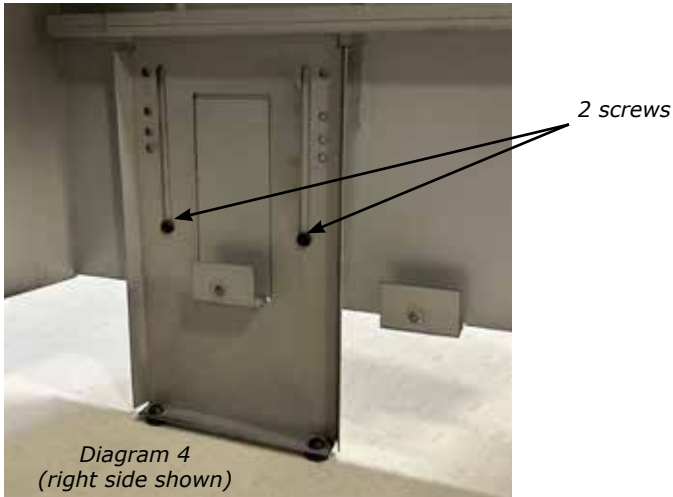


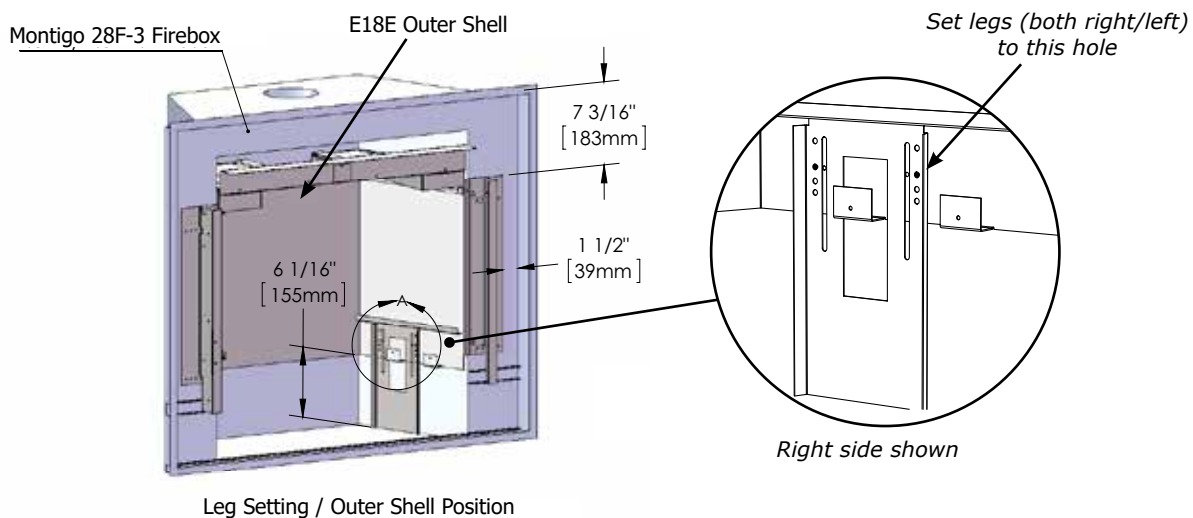
Diagram 3

E18E-11

1. Loosen 2 x Phillips screws on both right and left legs. See diagram 4.



2. See diagram below for required leg setting.



3. Install with supplied Phillips screws to pre-punched holes and tighten previous screws that were loosened in Step 1.
4. Keep left side leg loose until outer firebox is in position in ZC box - to allow adjustment of gas line.
5. See firebox installation in this manual. Faceplate, enamel or brick panels, glass burner, glass crystals, ceramic or volcanic stones or log tray and oak or driftwood log set can be found in the other manual titled Owner's and Installation manual to complete installation.

MODIFICATION OF MONTIGO 36SR

***MUST USE FULL LENGTH 4" (102 MM) LINER**

A flue adaptor is not required for this installation as the 4" (102 mm) Liner will attach to the outer flue adaptor collar on the E18E.

1. Turn gas off to the unit, disconnect gas and power from unit.
2. Remove Top and Bottom Louvers.



Diagram 8.1

3. Remove Glass Doors and Screen Mesh (See Diagram 8.1).
4. Remove Logs and Sand from Sand Pan.
Note : it would be a good idea to remove the sand from the sand pan burner using a shop vacuum.
5. Remove Top Rail securing the Bifold Doors (See Diagram 8.2).

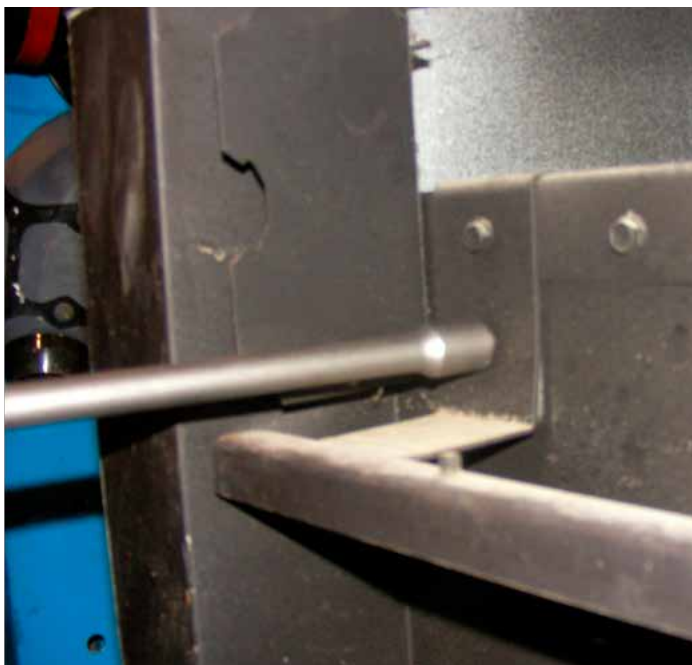


Diagram 8.2

6. Remove Air Inlet Strip (See Diagram 8.3).



Diagram 8.3

7. Remove Brick Liner Panels (See Diagram 8.4).

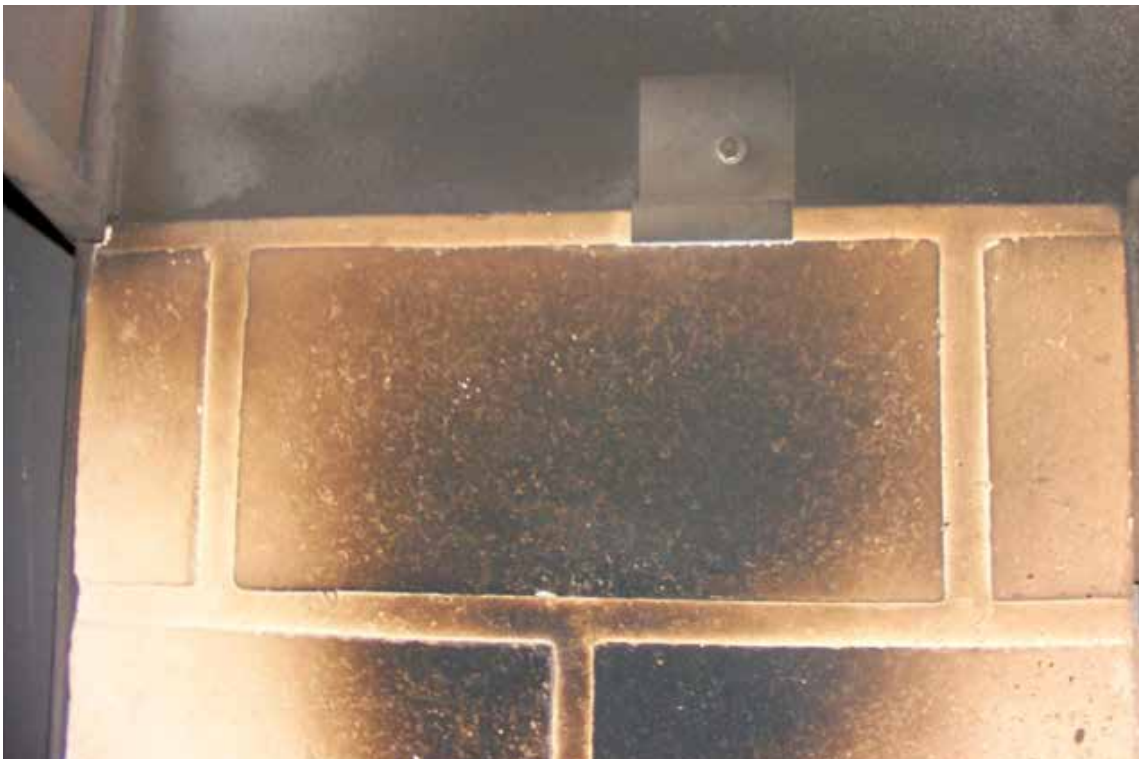


Diagram 8.4

- 8.** Unscrew and Remove Trim Around Sand Pan (See Diagram 8.5).



Diagram 8.5

- 9.** Disconnect pilot gas line and pilot thermopile from valve.
Also disconnect any switch wires which may be connected to the gas valve.
- 10.** Disconnect valve from main burner gas line.
- 11.** Remove plate on the bottom of the firebox where pilot enters. (See Diagram 8.6)



Diagram 8.6

E18E-11

12. Unscrew left and right nuts using a wrench underneath the firebox holding down the sand pan.
(See Diagram 8.7)
13. Remove Sand Pan and Pilot Assembly.



Diagram 8.7

14. Unscrew the bottom of the firebox. (See Diagram 8.8)



Diagram 8.8

15. Unscrew the firebox top front flange, making sure to place the top left and right corner screws back in (See Diagram 8.9 and 8.10).



Diagram 8.9



Diagram 8.10

16. Remove Louver Supports in all 4 corners of the appliance (See Diagram 8.11).

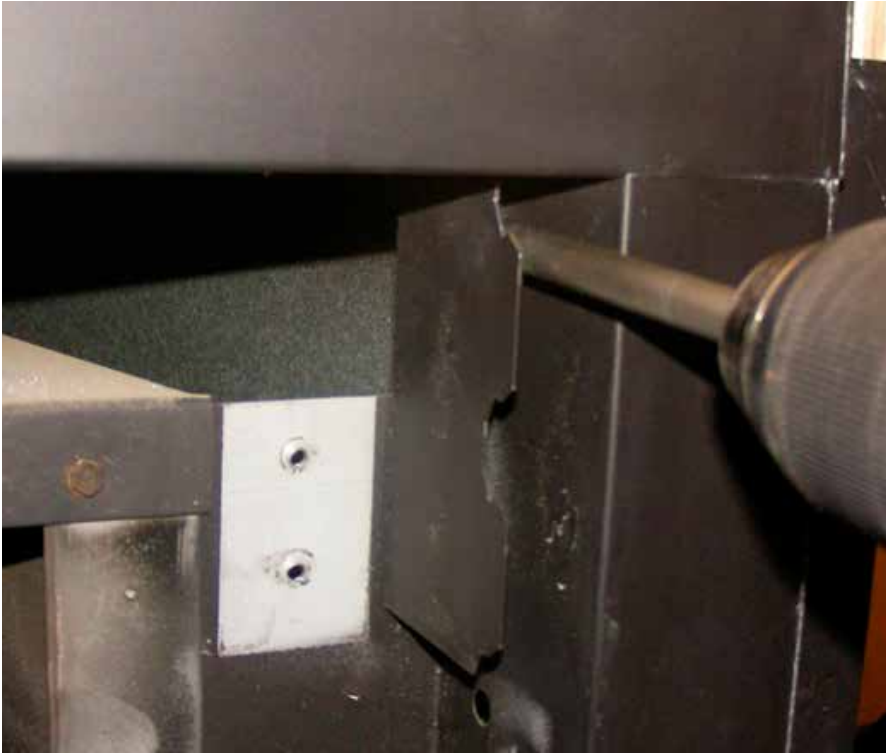


Diagram 8.11

17. Final firebox should look like diagram 8.12.



Diagram 8.12
Modified edges must be flush to allow proper seating of the E18E outerbox.

Vent Connection and E18E outer Shell Installation

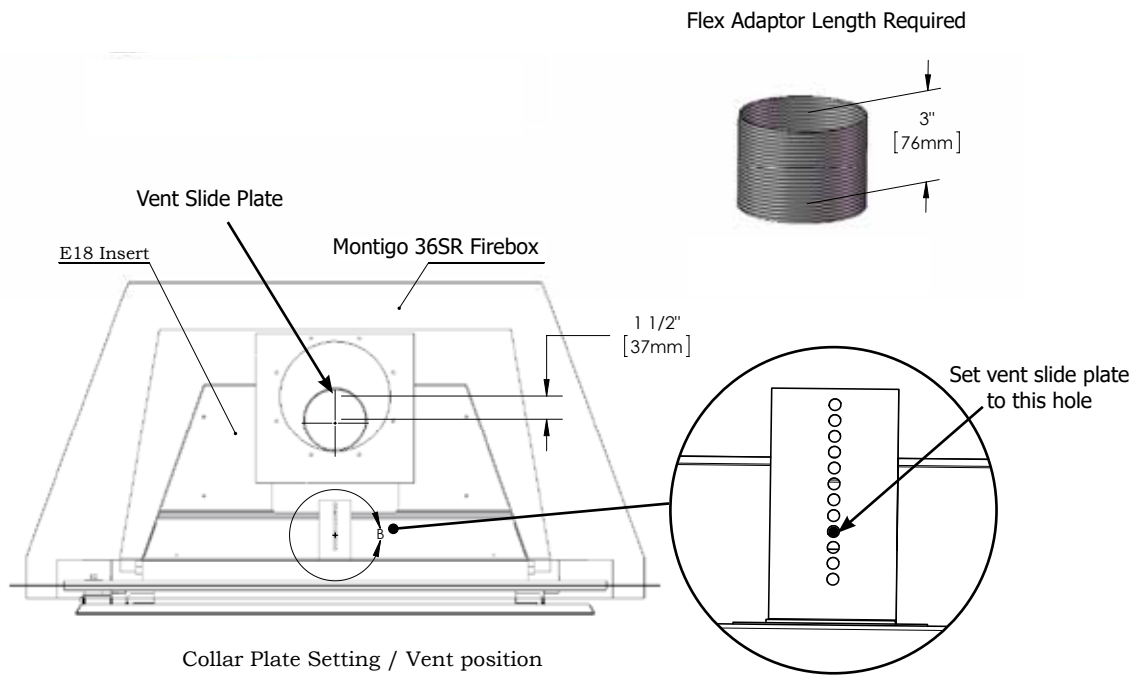
This install of the E18E uses a full length 4" liner.

The length of 4" flex needed depends on the height of the B vent chimney. Slide the flex pipe all the way up to the top of the b vent chimney system.

Also See Installation of E18E into Existing Units for General Installation Guidance in this manual for Vent Configurations & Outer Shell Installation. Procedure to adjust the height of the outer firebox installed is shown on next page.

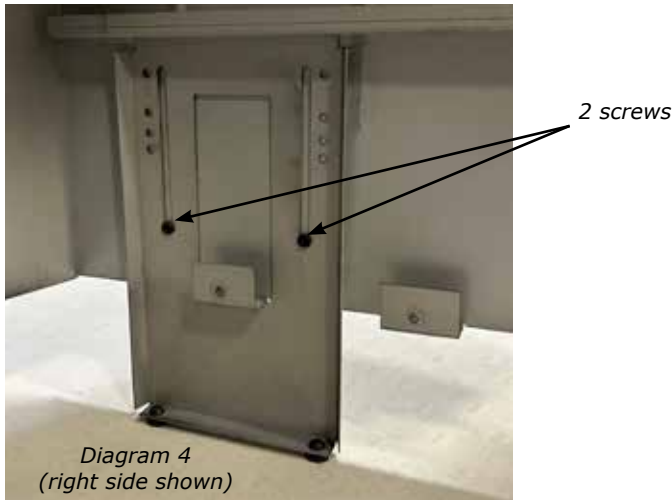


Secure vent slide plate from the E18E to the 4" (102 mm) flex pipe with 4 screws/washers (supplied)

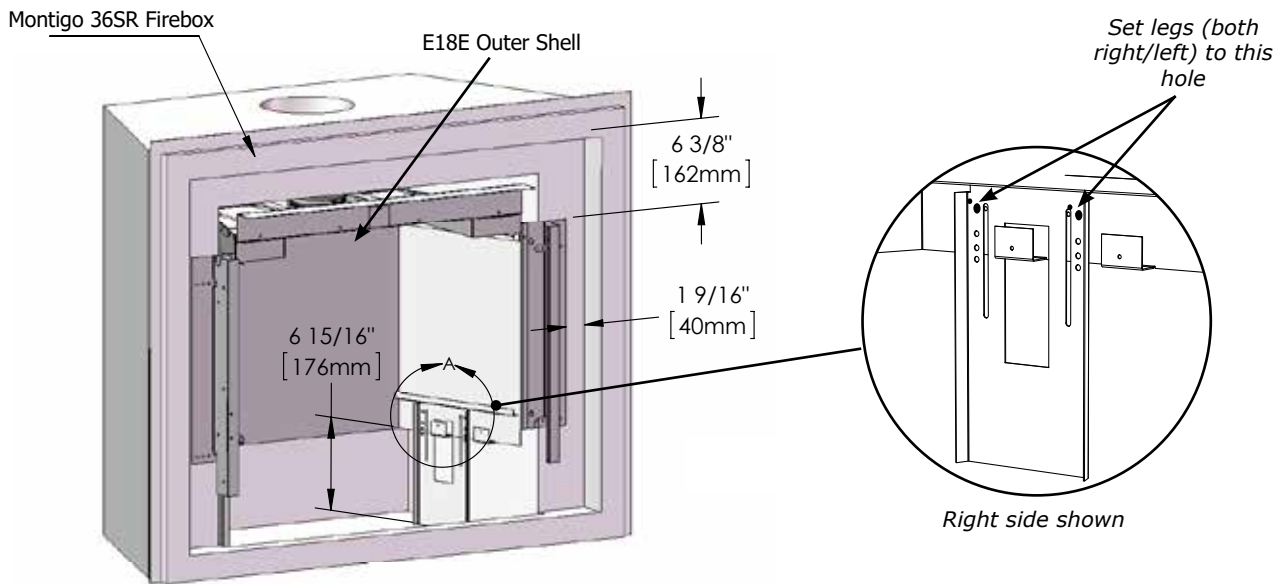


E18E-11

1. Loosen 2 x Phillips screws on both right and left legs. See diagram 4.



2. See diagram below for required leg setting.



3. Install with supplied Phillips screws to prepunched holes and tighten previous screws that were loosened in Step 1.
4. Keep left side leg loose until outer firebox is in position in ZC box - to allow adjustment of gas line.
5. See firebox installation in this manual. Faceplate, enamel or brick panels, glass burner, glass crystals, ceramic or volcanic stones or log tray and oak or driftwood log set can be found in the other manual titled Owner's and Installation manual to complete installation.

MODIFICATION OF FIRESONG 220N

1. Turn gas off to the unit, disconnect gas and power from unit.
2. Remove Valve Cover (See Diagram 9.1).



Diagram 9.1

3. Remove the Bottom of the Firebox and Sand Pan in one assembly (See Diagram 9.2).



Diagram 9.2

4. Unscrew and Remove Front Inner Baffle (See Diagram 9.3).



Diagram 9.3

5. Cut the Sides of the Rear Inner Baffle at the Back of the Firebox (See Diagram 9.4).



Diagram 9.4

6. Bend the Inner Rear Baffle up so it is flush with the back of the Firebox or cut off the Baffle if it will not bend flat with the back of the Firebox.

E18E-11

7. Cut The Top Front Flange of the Firebox (See Diagram 9.5).
Note: It would be recommended to use eye and ear protection.



Diagram 9.5

8. Cut off support tab at the top of the firebox and final firebox should look like Diagram 9.6.



Diagram 9.6

Modified edges must be flush to allow proper seating of the E18E outerbox.

E18E-11

Vent Connection and E18E outer Shell Installation

This install of the E18E uses **Vent Connection Type A**. Use part # 616-910 Flue Adaptor E18 (FS220N,EP28F,EP28-4/5/C). This kit includes an adaptor plate, adaptor plate gasket, 4" (102 mm)ID x 8 1/2" (216 mm) Long flex pipe,screws/washers.

The Length of 4" Flex needed(included in the 616-910) is 1 15/16" (49 mm) semi-expanded. Secure adapter plate to under side of existing Firesong firebox using 4 self tapping screws (supplied). See diagram 1.

Note : The flex will need to be cut down to size as the flex supplied is 8 1/2" (216 mm) long.

Also See Installation of E18E into Existing Units for General Installation Guidance in this manual for Vent Configurations & Outer Shell Installation. Procedure to adjust the height of the outer firebox installed is shown on next page.

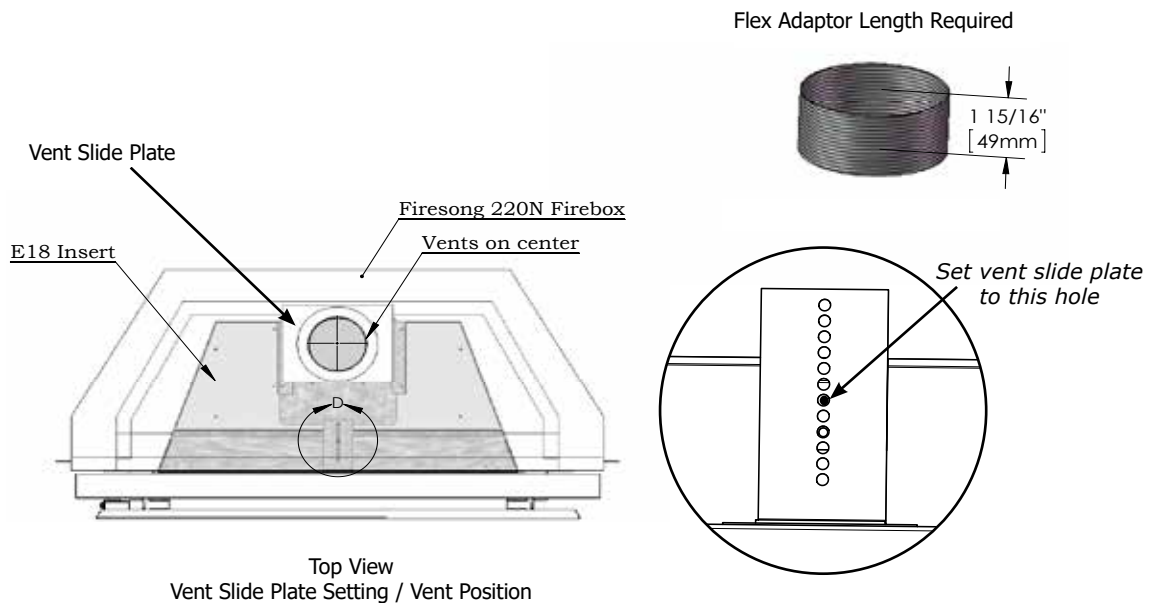


Diagram 1
Secure adapter plate to existing Firesong firebox w/4 screws/washers (supplied).

Disconnect vent slide plate from E18E and secure to flex pipe with 4 screws/washers. See diagram 2. Set vent slide plate to the fourth hole from the front. See diagram 3.

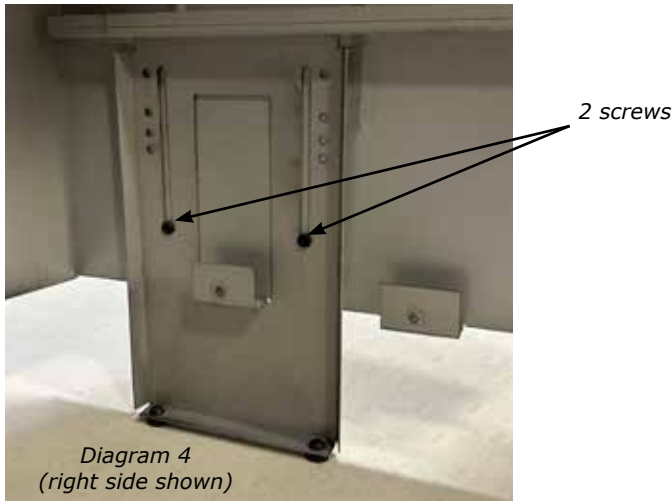


Diagram 2
Secure vent slide plate from E18E to flex pipe with 4 screws/washers (supplied)

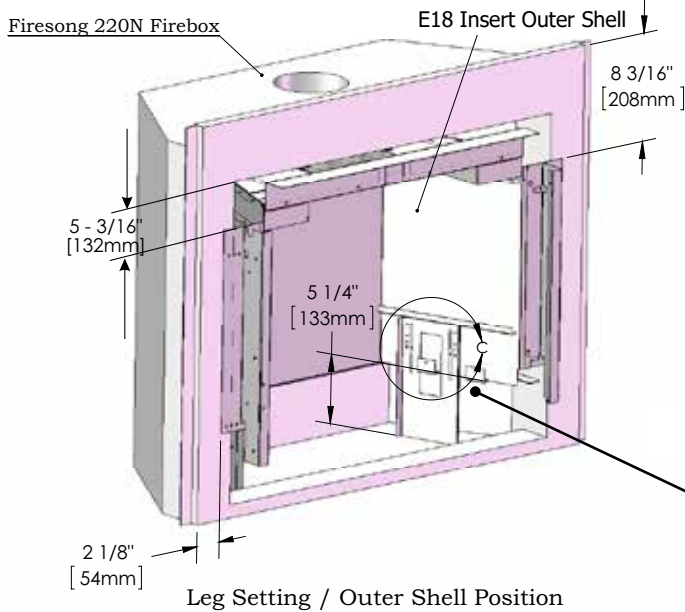


E18E-11

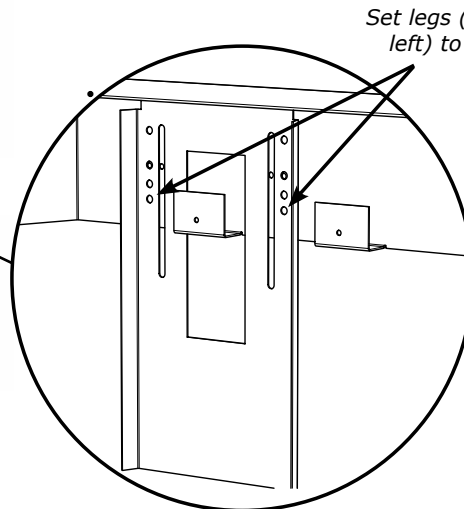
1. Loosen 2 x Phillips screws on both right and left legs. See diagram 4.



2. See diagram below for required leg setting.



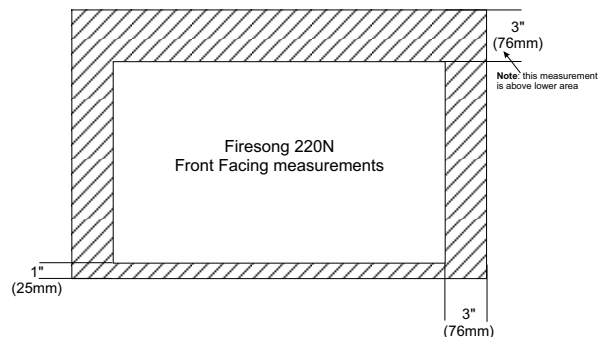
3. Install with supplied Phillips screws to prepunched holes and tighten previous screws that were loosened in Step 1.
4. Keep left side leg loose until outer firebox is in position in ZC box - to allow adjustment of gas line.
5. See firebox installation in this manual. Faceplate, enamel or brick panels, glass burner, glass crystals, ceramic or volcanic stones or log tray and oak or driftwood log set can be found in the other manual titled Owner's and Installation manual to complete installation.



Right side shown

Firesong 220N faceplate is an outside fit, if the front metal face of the 220N is covered with stone or tile - a custom faceplate will be required.

The following measurements of the 220N metal face will be visible if no stone or tile is covering it. If this metal face is visible, the standard Faceplate (616-920) will fit.



MODIFICATION OF FIRESONG 120N

1. Turn gas off to the unit, disconnect gas and power (if fan is installed) from unit.
2. Remove Top Trim Pieces and Glass Doors- if installed (See Diagram 10.1).



Diagram 10.1

3. Remove Lower Trim piece and Bottom Panel (See Diagram 10.2).



Diagram 10.2

E18E-11

- 4. Remove Top Rail securing Mesh. (See Diagram 10.3).
- 5. Shut off and disconnect gas line from valve.



Diagram 10.3

- 6. Unscrew and Remove Trim Around Sand Pan (See Diagram 10.4).
Remove screw on right side to remove sand pan and base (Not shown).



Diagram 10.4

8. Remove logs (See Diagram 10.5).



Diagram 10.5

9. Remove sand from the burner prior to lifting burner out.
Note: It would be a good idea to remove the sand from the sand pan burner using a shop vacuum.
Remove sand pan burner and valve by lifting up and out (Diagram 10.6).

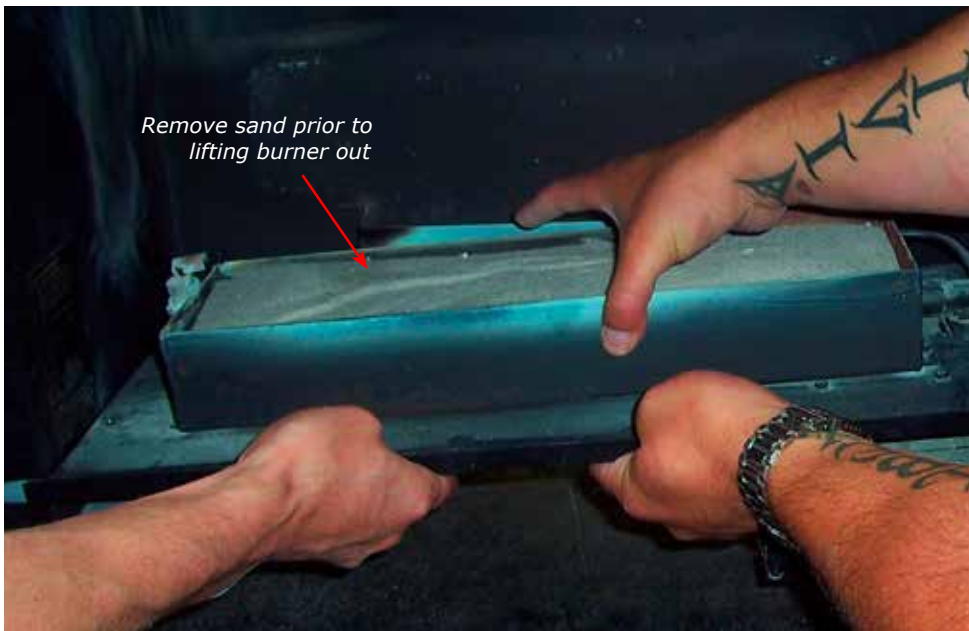


Diagram 10.6

10. Make 2 vertical cuts on Top Facing using a sawzal. (See Diagram 10.7).
Note : it would be recommended to use eye and ear protection.

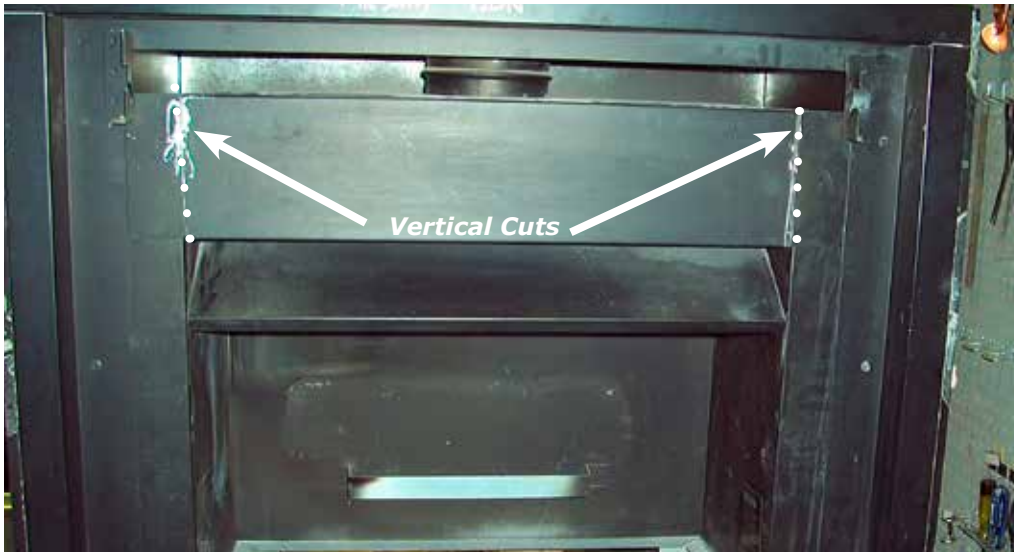


Diagram 10.7

11. Remove Top Front Flange of Firesong firebox. (See Diagram 10.8). Remove tabs on right and left side of firebox.



Diagram 10.8

12. Cut out mid section of Firesong firebox (See Diagram 10.9). Cut off bar at back of firebox.



Diagram 10.9

13. Remove 6 screws, one at a time, and replace with pan head (wafer screws) - in locations shown below (Diagram 10.10).



Diagram 10.10

E18E-11

IMPORTANT: Cut out Firesong firebox and install support one side at a time.

14. Cut out right side of existing Firesong firebox (See Diagrams 10.11, 10.12 & 10.13).
Left and right cutout begins on front face - see Diagram 10.12.



Diagram 10.11



Diagram 10.12



Diagram 10.13

15. Repeat steps on left side.

16. Install supplied support section with 8 screws to reinforce Firesong firebox. (See Diagram 10.14).



Diagram 10.14

17. Remove existing Firesong rating plate from cut out firebox. This rating plate must be retained and affixed to the unit (See Diagram 10.15 and 10.16).
18. Final modified firebox should look like Diagram 10.16
NOTE: Shown with flue collar and 6" length of flex installed.



Diagram 10.15



Diagram 10.16

E18E-11

IMPORTANT NOTE:

Separate inner and outer firebox on E18E (see instructions in this manual) Before installing outer firebox - lay on a flat surface and trim off 1-1/4" of each firebox fastening flange as shown below.



E18E-11

Vent Connection and E18E outer Shell Installation

This install of the E18E uses part # 616-911 Flue Adaptor E18 (Firesong 120N). This kit includes a 4" (102 mm) ID x 6" (152 mm) Long flex pipe, screws/washers.

Remove top flue adaptor from unit by removing 1 Philips screw and slide backward. Adjust flue adaptor length by resetting screw from Set 4 to Set 8 - see Diagram below. Attach 4" flex (from kit part #616-911) to flue adaptor and insert into existing 5" vent - shown below.

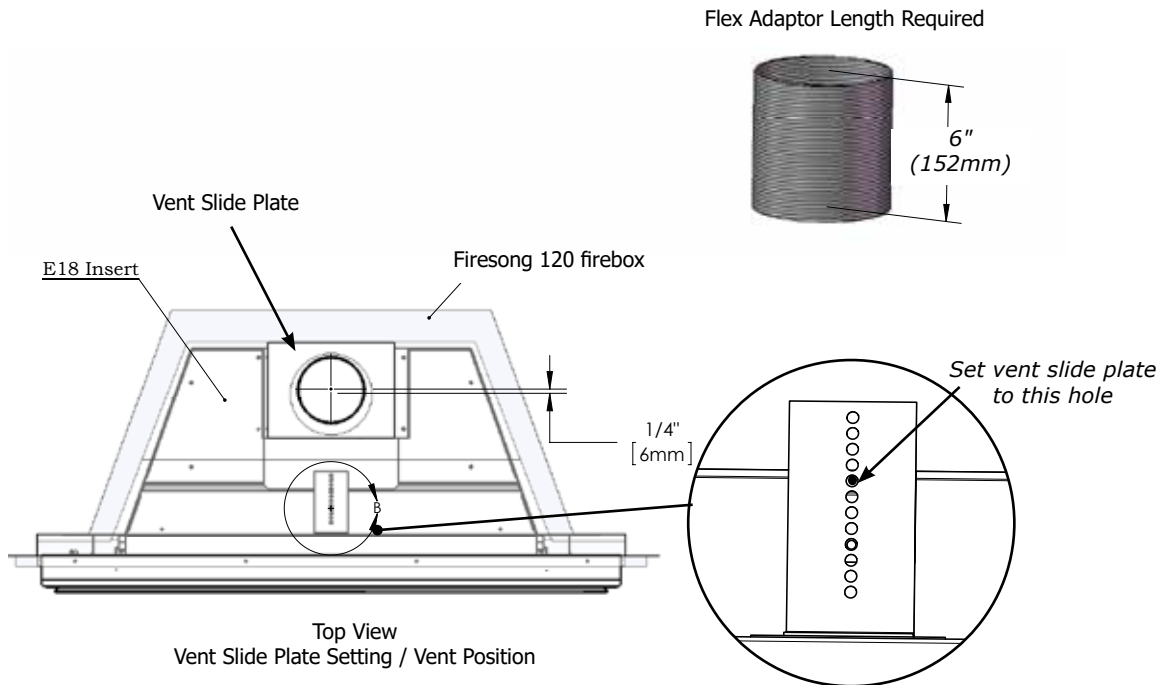
Procedure to adjust the height of the outer firebox installed is shown on next page.

Also See Installation of E18E into Existing Units for General Installation Guidance in this manual for Vent Configurations & Outer Shell Installation.

FIRESONG 120N INSTALLATION SPECIFICATIONS

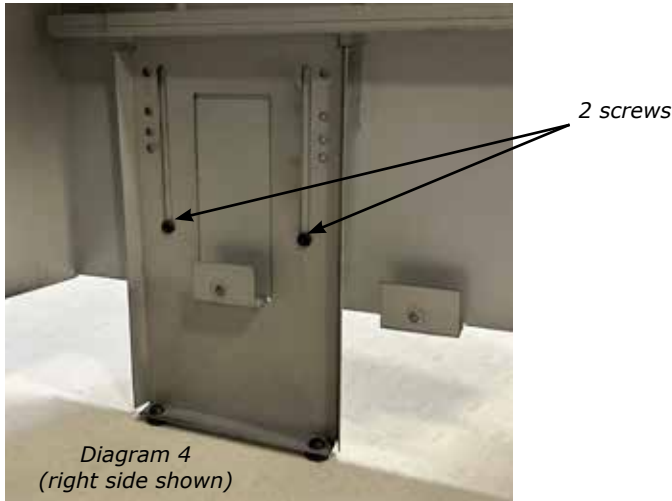


Secure vent slide plate to flex pipe with 4 screws/washers (supplied)

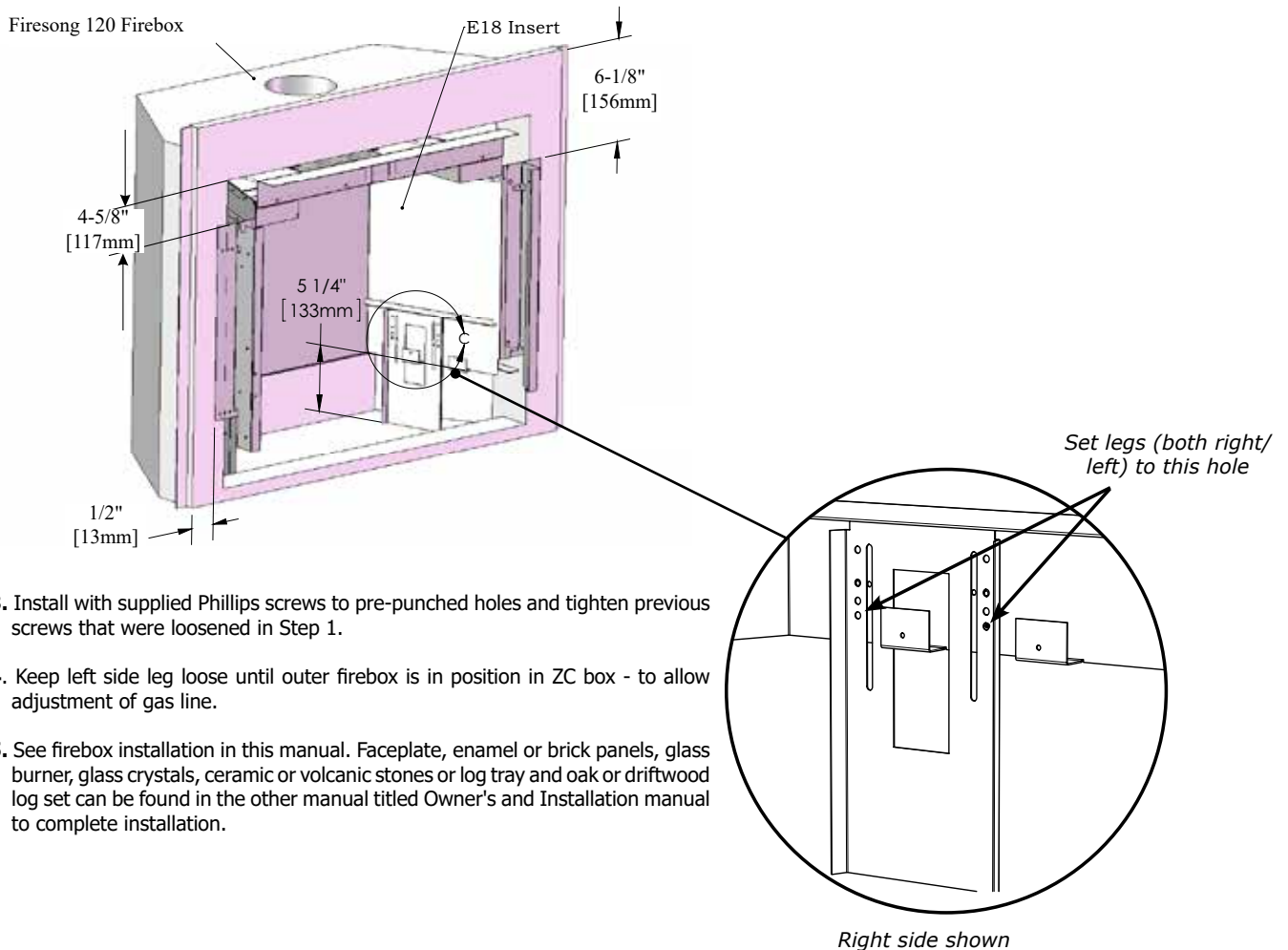


E18E-11

1. Loosen 2 x Phillips screws on both right and left legs. See diagram 4.



2. See diagram below for required leg setting.



3. Install with supplied Phillips screws to pre-punched holes and tighten previous screws that were loosened in Step 1.
4. Keep left side leg loose until outer firebox is in position in ZC box - to allow adjustment of gas line.
5. See firebox installation in this manual. Faceplate, enamel or brick panels, glass burner, glass crystals, ceramic or volcanic stones or log tray and oak or driftwood log set can be found in the other manual titled Owner's and Installation manual to complete installation.

INSTALLATION OF THE E18E INTO EXISTING UNITS

STEP #1: VENT CONNECTION TYPE A

1. Attach the Flex Vent Section to the Adaptor Plate using 3 self drilling sheet metal screws.
2. Using 4 Sheet Metal Screws, attach the Adaptor Plate, Vent Section and Adaptor Plate Gasket to the top of the existing Fire Box.
3. Attach the Slide Plate Retainer to the Vent Slide Plate using the setting outlined in your unit specific installation guide.
4. Using the 3 self drilling sheet metal screws, attach the Vent Slide Plate to the Flex Vent Section

THE APPLIANCE MUST NOT BE CONNECTED TO A CHIMNEY FLUE SERVING A SEPARATE SOLID FUEL BURNING APPLIANCE.

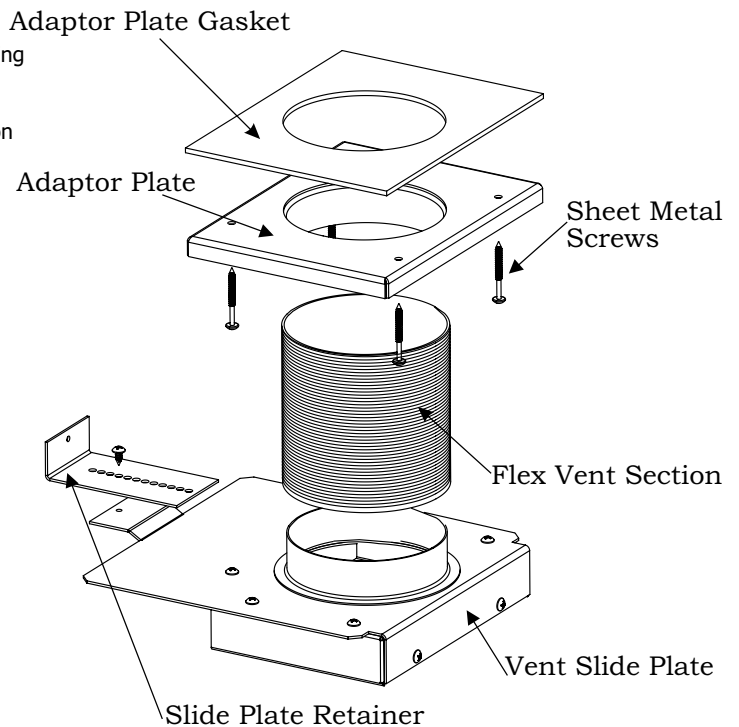


Diagram 11.1

STEP #1: VENT CONNECTION (FIRESONG 120N)

1. Attach the Flex Vent Section to the Adaptor Plate using 3 self drilling sheet metal screws.

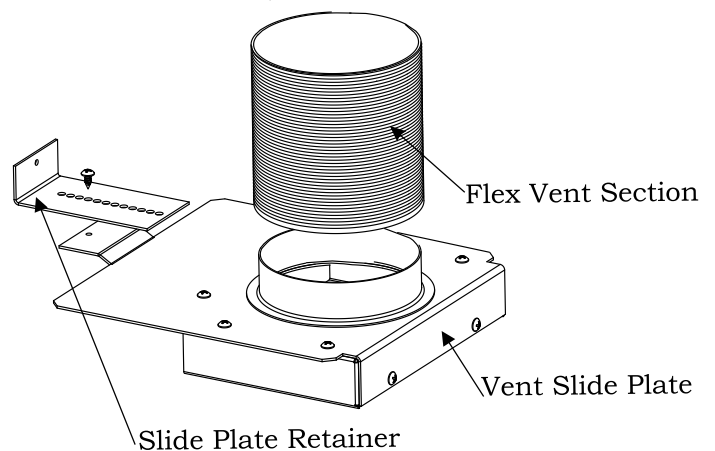


Diagram 11.2

STEP #2: OUTER SHELL INSTALLATION

1. Slide outer shell back into the existing firebox, ensure the vent slide plate is properly engaged with the outer shell. Move the outer shell back until the left and right flanges contact the existing firebox.
2. Adjust the outer shell legs to the setting noted for your specific installation. If these settings are not adhered to, the surround will not fit correctly.
3. Attach the vent slide plate to the outer shell with one sheet metal screw as shown in Figure 12.1. Refer to the applicable existing appliance for correct measurements before securing outer shell in position.
4. Ensure the unit is set at the correct height and the outer shell is square and centered, fasten the outer shell to the existing firebox using self tapping screws.

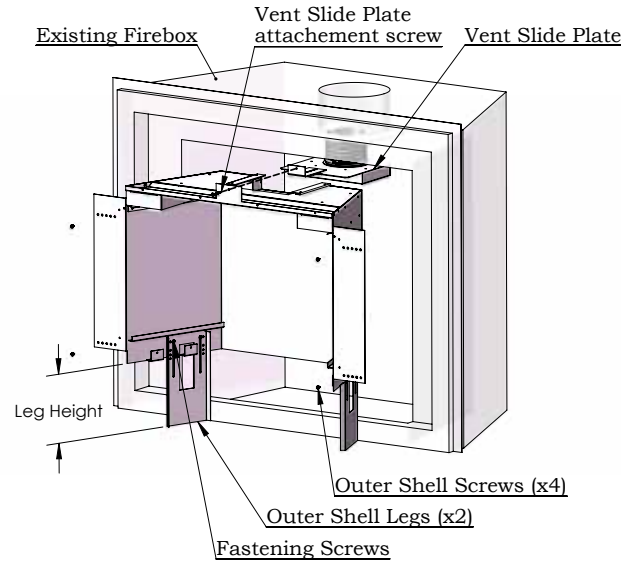


Diagram 12.1

STEP #3: FIREBOX INSTALLATION

1. Ensure thermodiscs and thermodisc brackets are in place.
2. Install the firebox into the outer shell by sliding the drafthood bottom onto the drafthood slide until you are able to install 4 screws to secure the firebox. Use care to avoid damaging the wire harness.

Note: 2 of the screws along with panel brackets to be installed on the lower inside of the firebox.
3. Unit is installed correctly when the flanges that secure the firebox to the outer shell contact. Ensure the unit is centered within the existing firebox, attach the outer shell to the existing firebox using 4 x sheet metal screws.
4. Install 2 self tapping screws at the front edge corners of the drafthood bottom to secure the drafthood.
5. Install 1 x Phillips screw to fasten drafthood. Install 2 x Phillips screws to secure left and right side of thermodisc bracket.

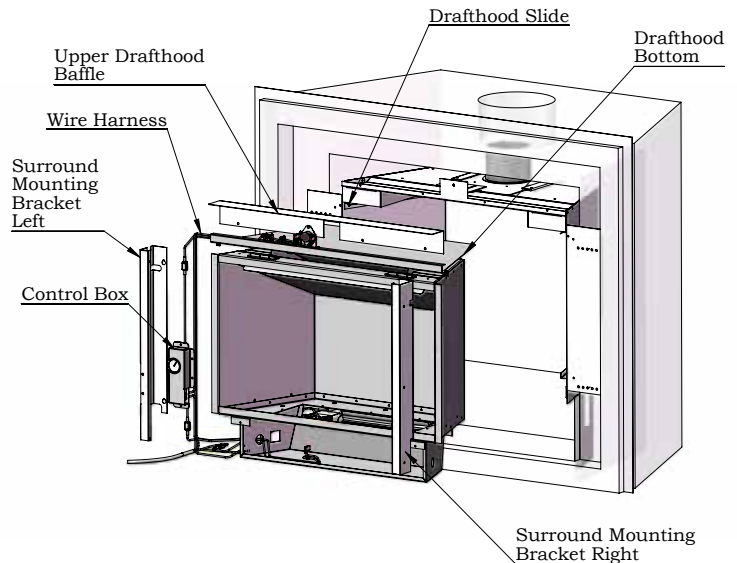


Diagram 12.2

ZC box existing Unit	Measured from Top of ZC box	Measured from side of ZC box
EP28	8-7/16" (215mm)	1-7/16" (37mm)
28F - 28F2	7-3/16" (183mm)	1-1/2" (39mm)
Montigo 36SR	6-3/8" (162mm)	1-9/16" (40mm)
Firesong 220N	8-3/16" (208mm)	2-1/8" (54mm)

STEP #4: SURROUND INSTALLATION

ONLY TRIM KIT SUPPLIED BY THE MANUFACTURER SHALL BE USED IN THE INSTALLATION OF THIS APPLIANCE.

1. Remove glass door and screen from unit by removing 2 screws. See below.



Retainer Screws Diagram 13.1

2. Remove control box from rear surround by removing 2 screws. Disassemble control box, insert both fan control switch, fan control knob and on/off switch. Attach yellow and red wires to on/off switch as shown below and connect 2 female wires from fan speed control to 2 male wire connectors from wiring harness at appliance. Reassemble control box.

NOTE: The fan speed control is secured using a lock nut. The on/off switch is simply snapped into position and control knob slides over the fan control switch. Note the orientation of the on/off switch wires. See diagrams below.

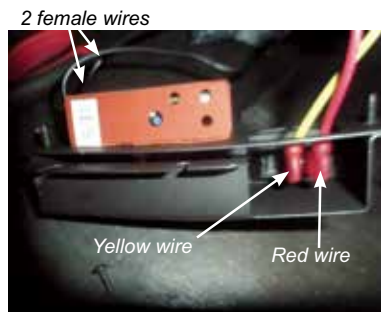


Diagram 13.2



3. Run wire harness from unit through notch in mounting bracket and then to control box as shown below.

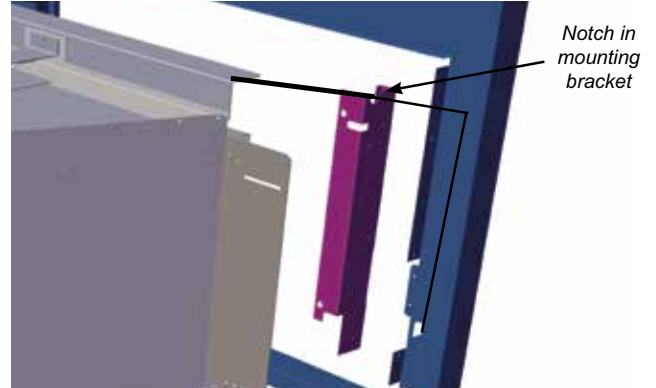


Diagram 13.3

4. Attach control box to left mounting bracket with 2 screws.

NOTE: The screws are only a guide and do not fasten the bracket. The backing plate keeps the control box in place for ease of service.

5. Tuck wire harness on left top groove and secure with wire clips.
6. Feed power cord through left grommet. (If power outlet is on the right side of the unit, feed power cord through right grommet and use wire grommets to secure power cord inside the unit). See diagram 13.4.
7. Secure backing plate with mounting brackets to outer box by screwing 4 self tapping screws on flanges.

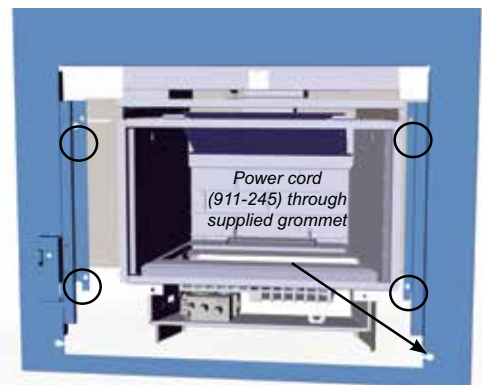


Diagram 13.4

8. Attach front faceplate with 4 screws (2 on each mounting bracket). (Touch up screws with black paint, after install.)

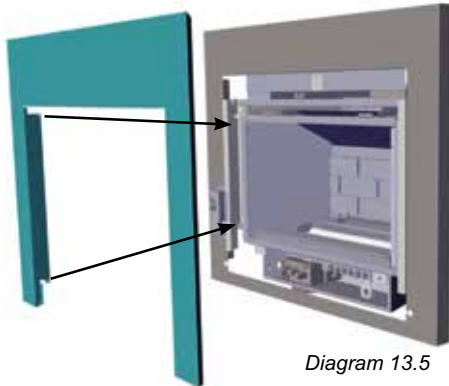


Diagram 13.5

9. Reinstall glass door and screen removed from step 1.
10. Locate the 'DC supply' wire on the wiring harness, the wire will be clearly marked. Attach the AC adaptor to the DC supply wire as shown. Do not plug into a 120V circuit until the install is complete.



AC adaptor DC supply wire from wiring harness

Diagram 13.6

11. Install control cover, adjust horizontal alignment by sliding control cover to ensure even spacing on both sides. Ensure control cover is seated down all the way.



Diagram 13.7

MONTIGO 28 F3 ONLY

12. To install filler piece, slide under faceplate and secure to backside of faceplate with magnets.



13. Completed install of filler piece.



DRAFT RELIEF OPENINGS MUST NOT BE COVERED OR BLOCKED.

RECYCLING

PRODUCT LIFE CYCLE:

By recycling your used appliances, you divert waste from your local landfills and help the environment. You also reduce the need for raw materials to manufacture new products. Contact your local municipality for appliance recycling services, local recycling programs, or appliance removal services to ensure your Regency appliance components, and packaging are properly recycled.

Installer: Please complete the following information

Dealer Name & Address: _____

Installer: _____

Phone #: _____

Date Installed: _____

Serial #: _____