



Regency P33 Sunrise™ Gas Fireplace

Owners & Installation Manual

MODEL: P33S-NG4 Natural Gas
P33S-LP4 Propane



www.regency-fire.com

WARNING:

If the information in these instructions are not followed exactly, a fire or explosion may result causing property damage, personal injury or loss of life.

FOR YOUR SAFETY

Do not store or use gasoline or other flammable vapors and liquids in the vicinity of this or any other appliance.

Installation and service must be performed by a qualified installer, service agency or the gas supplier.

FOR YOUR SAFETY

What to do if you smell gas:

- Do not try to light any appliance
- Do not touch any electrical switch: do not use any phone in your building.
- Immediately call your gas supplier from a neighbour's phone. Follow the gas supplier's instructions.
- If you cannot reach your gas supplier, call the fire department.



Installer: Please complete the details on the back cover and leave this manual with the homeowner.
Homeowner: Please keep these instructions for future reference.

To the New Owner:

Congratulations!

You are the owner of a state-of-the-art Gas Fireplace by REGENCY®. The P33 Sunrise™ has been designed to provide you with all the warmth and charm of a fire at the flick of a switch. The model P33 Sunrise™ has been approved by Warnock Hersey for both safety and efficiency. As it also bears our own mark, it promises to provide you with economy, comfort and security for many trouble free years to follow. Please take a moment now to acquaint yourself with these instructions and the many features of your Regency® Fireplace.



WARNING



**HOT GLASS WILL
CAUSE BURNS**

**DO NOT TOUCH GLASS
UNTIL COOLED**

**NEVER ALLOW CHILDREN
TO TOUCH GLASS**



**NATIONAL
FIREPLACE
INSTITUTE**
NFI
CERTIFIED
www.nficertified.org

We recommend that our products be installed and serviced by professionals who are certified in the U.S. by the National Fireplace Institute® (NFI) or in Canada by Wood Energy Technical Training (WETT).



**Wood Energy
Technical Training**
www.wettinc.ca





MANUFACTURED MOBILE HOME REQUIREMENTS INFORMATION FOR MOBILE/MANUFACTURED HOMES AFTER FIRST SALE

This Regency® product has been tested and listed by Warnock Hersey as a Direct Vent Wall Furnace to the following standards: VENTED GAS FIREPLACE HEATERS ANSI Z21.88a-2007 / CSA 2.33a-2007 and GAS-FIRED APPLIANCES FOR USE AT HIGH ALTITUDES CAN / CGA 2.17-M91.

This Direct Vent System Appliance must be installed in accordance with the manufacturer's installation instructions and the Manufactured Home Construction and Safety Standard, Title 24 CFR, Part 3280, or the current Standard of Fire Safety Criteria for Manufactured Home Installations, Sites, and Communities ANSI/NFPA 501A, and with CAN/CSA Z240-MH Mobile Home Standard in Canada.

This appliance installation must comply with the manufacturer's installation instructions and local codes, if any. In the absence of local codes follow the current National Fuel Gas Code, ANSI Z223.1 and the current National Electrical Code ANSI/NFPA 70 in the U.S.A., and the current CAN/CGA B149 Gas Installation Code and the current Canadian Electrical Code CSA C22.1 in Canada.

This appliance comes equipped with a dedicated #8 Ground Lug for attachment of the ground wire to the steel chassis as applicable to local codes.

The appliance, when installed, must be electrically grounded in accordance with local codes or, in the absence of local codes, with the National Electrical Code, ANSI/NFPA 70, or the Canadian Electrical Code, CSA C22.1.

This appliance may only be installed in an aftermarket permanently located, manufactured (U.S.A only) or mobile home, where not prohibited by local codes.

This appliance can only be used with the type of gas indicated on the rating plate. This appliance is not convertible for use with other gases, unless a certified kit is used. (Kit # 434-970)

Ensure that structural members are not cut or weakened during installation.

TABLE OF CONTENTS

SAFETY LABEL	
Copy of Safety Decal.....	5
REQUIREMENTS	
MA Code - CO Detector.....	6
DIMENSIONS	
Unit Dimensions	7
INSTALLATION	
Important Message	8
Before You Start	8
General Safety Information.....	8
Installation Checklist.....	9
Locating Your Gas Fireplace	9
Clearances	10
Mantel Clearances.....	11
Mantel Leg Clearances.....	11
Framing & Finishing.....	12
Framing Dimensions.....	13
Unit Assembly Prior to Installation	14
Venting Introduction.....	14
Exterior Vent Termination Requirements	15
Regency® Direct Vent flex System	16
Rigid Pipe Venting Systems	17
4" X 6-5/8" RigiD Pipe Cross Reference Chart.....	18
Rigid Pipe Venting Arrangements	20
Vertical Termination	
with Co-Linear Flex System.....	21
Venting Arrangements - Vertical Terminations	22
Unit installation with Horizontal termination.....	27
Unit installation with Vertical Termination	28
Gas Line Installation	28
Pilot Adjustment.....	29
High Elevation	29
S.I.T. Valve Description.....	29
Gas Pipe Pressure Testing	29
Conversion from NG to LP	30
DC Spark Box Battery Replacement	32
DC Spark Box Replacement.....	32
Optional Wall Thermostat	33
Optional Remote Control	33
GT remote features	33
Wall Switch	33
Aeration Adjustment	34
Wiring Diagram	34
GT remote wiring Diagram	35
Installing the Optional Fan.....	36
Optional Reflective Panel Installation.....	37
Glass Crystal	38
Installation On Burner.....	38
Optional pebble Installation On firebox base.....	38
Standard Flush Door Installation	39
Faceplate Installation.....	40
OPERATING INSTRUCTIONS	
Operating Instructions	42
First Fire	42
Lighting Procedure	42
Shutdown Procedure.....	42
Normal Operating Sounds of Gas Appliances	42
Copy of Lighting Plate Instructions	43
MAINTENANCE	
Maintenance Instructions.....	44
General Vent	
Maintenance	44
Thermopile / Thermocouple.....	44
Glass Door.....	44
Glass Replacement	44
Valve Tray Replacement.....	45
Removing Valve	45
Installing Valve.....	45
PARTS LIST	
Main Assembly	46
WARRANTY	
The Warranty: Limited Lifetime	47

This is a copy of the label that accompanies each P33 Sunrise™ Direct Vent Gas Fireplace. We have printed a copy of the contents here for your review.

NOTE: Regency® units are constantly being improved. Check the label on the unit and if there is a difference, the label on the unit is the correct one.

COPY OF SAFETY DECAL

Duplicate S/N
343

	<p>Listed: VENTED GAS FIREPLACE HEATER Certified for/Certifiée pour: CANADA and U.S.A. Tested to: CAN/CGA-2.17-M91, ANSI Z21.88a-2007/CSA 2.33a-2007. WN# 16375</p>	<p>DO NOT REMOVE THIS LABEL / NE PAS ENLEVER CETTE ÉTIQUETTE</p> <p style="text-align: right;">Serial No./ No de serie</p> <div style="border: 1px solid black; padding: 2px 10px; text-align: center;">343</div>																												
MAY BE INSTALLED IN MANUFACTURED (MOBILE) HOMES AFTER FIRST SALE.																														
○ Model/Modèle: P33S-NG4	<p>NATURAL GAS: Model P33S-NG4</p> <table style="width: 100%; font-size: 0.8em;"> <tr> <td>Minimum supply pressure</td> <td>5" WC</td> <td>(1.25 kPa)</td> <td>Pression d'alimentation minimum</td> </tr> <tr> <td>Manifold pressure high</td> <td>3.5" WC</td> <td>(0.87 kPa)</td> <td>Pression a la tubulure d'échappement élevée</td> </tr> <tr> <td>Manifold pressure low</td> <td>1.6" WC</td> <td>(0.39 kPa)</td> <td>Pression a la tubulure d'échappement basse</td> </tr> <tr> <td>Orifice size</td> <td># 47</td> <td>DMS</td> <td>Grandeur de l'injecteur</td> </tr> <tr> <td>Minimum input</td> <td>12,000 Btu/h</td> <td>(3.51 kW)</td> <td>Débit Calorifique minimum selon</td> </tr> <tr> <td>Maximum input</td> <td>17,000 Btu/h</td> <td>(4.98 kW)</td> <td>Débit Calorifique maximum selon</td> </tr> <tr> <td>Altitude</td> <td>0-4500 ft/pi</td> <td>(0-1372 m)</td> <td>l'altitude</td> </tr> </table>	Minimum supply pressure	5" WC	(1.25 kPa)	Pression d'alimentation minimum	Manifold pressure high	3.5" WC	(0.87 kPa)	Pression a la tubulure d'échappement élevée	Manifold pressure low	1.6" WC	(0.39 kPa)	Pression a la tubulure d'échappement basse	Orifice size	# 47	DMS	Grandeur de l'injecteur	Minimum input	12,000 Btu/h	(3.51 kW)	Débit Calorifique minimum selon	Maximum input	17,000 Btu/h	(4.98 kW)	Débit Calorifique maximum selon	Altitude	0-4500 ft/pi	(0-1372 m)	l'altitude	<p>Minimum Clearances to Combustibles Degagement Minimum De Materiaux Combustibles</p> <div style="text-align: center;"> </div> <p>0" Clearance to combustibles from: Top, sides, bottom and rear of unit</p> <p>Ceiling Clearances from Top of Unit: (A) 30" (762mm)</p> <p>Side Wall Clearance from Side of Unit: B) 7.5" (190mm)</p> <p>Floor Clearance: C) 1" (25mm)</p> <p>Alcove Clearances D) Max. Depth 36" (914mm) E) Min. Width 48" (1219mm)</p> <p style="text-align: center;">(See Instruction Manual for Detailed Instructions)</p>
Minimum supply pressure	5" WC	(1.25 kPa)	Pression d'alimentation minimum																											
Manifold pressure high	3.5" WC	(0.87 kPa)	Pression a la tubulure d'échappement élevée																											
Manifold pressure low	1.6" WC	(0.39 kPa)	Pression a la tubulure d'échappement basse																											
Orifice size	# 47	DMS	Grandeur de l'injecteur																											
Minimum input	12,000 Btu/h	(3.51 kW)	Débit Calorifique minimum selon																											
Maximum input	17,000 Btu/h	(4.98 kW)	Débit Calorifique maximum selon																											
Altitude	0-4500 ft/pi	(0-1372 m)	l'altitude																											
○ Model/Modèle: P33S-LP4	<p>PROPANE: Model P33S-LP4</p> <table style="width: 100%; font-size: 0.8em;"> <tr> <td>Minimum supply pressure</td> <td>11" WC</td> <td>(2.73 kPa)</td> <td>Pression d'alimentation minimum</td> </tr> <tr> <td>Manifold pressure high</td> <td>10" WC</td> <td>(2.49 kPa)</td> <td>Pression a la tubulure d'échappement élevée</td> </tr> <tr> <td>Manifold pressure low</td> <td>6.4" WC</td> <td>(1.59 kPa)</td> <td>Pression a la tubulure d'échappement basse</td> </tr> <tr> <td>Orifice size</td> <td># 56</td> <td>DMS</td> <td>Grandeur de l'injecteur</td> </tr> <tr> <td>Minimum input</td> <td>12,000 Btu/h</td> <td>(3.51 kW)</td> <td>Débit Calorifique minimum selon</td> </tr> <tr> <td>Maximum input</td> <td>15,500 Btu/h</td> <td>(4.54 kW)</td> <td>Débit Calorifique maximum selon</td> </tr> <tr> <td>Altitude</td> <td>0-4500 ft/pi</td> <td>(0-1372 m)</td> <td>l'altitude</td> </tr> </table>	Minimum supply pressure	11" WC	(2.73 kPa)	Pression d'alimentation minimum	Manifold pressure high	10" WC	(2.49 kPa)	Pression a la tubulure d'échappement élevée	Manifold pressure low	6.4" WC	(1.59 kPa)	Pression a la tubulure d'échappement basse	Orifice size	# 56	DMS	Grandeur de l'injecteur	Minimum input	12,000 Btu/h	(3.51 kW)	Débit Calorifique minimum selon	Maximum input	15,500 Btu/h	(4.54 kW)	Débit Calorifique maximum selon	Altitude	0-4500 ft/pi	(0-1372 m)	l'altitude	
Minimum supply pressure	11" WC	(2.73 kPa)	Pression d'alimentation minimum																											
Manifold pressure high	10" WC	(2.49 kPa)	Pression a la tubulure d'échappement élevée																											
Manifold pressure low	6.4" WC	(1.59 kPa)	Pression a la tubulure d'échappement basse																											
Orifice size	# 56	DMS	Grandeur de l'injecteur																											
Minimum input	12,000 Btu/h	(3.51 kW)	Débit Calorifique minimum selon																											
Maximum input	15,500 Btu/h	(4.54 kW)	Débit Calorifique maximum selon																											
Altitude	0-4500 ft/pi	(0-1372 m)	l'altitude																											
<p>VENTING: Use listed Direct Vent Pro and others as listed in the manual or Regency Direct Vent System. Only for direct discharge without duct connection. This appliance must be installed in accordance with the manufacturer's installation instructions and with local codes, if any; if not, follow the current ANSI Z223.1 in the USA or the current CAN 1-B149 in Canada. For Manufactured Home Installation: This Direct Vent System Appliance must be installed in accordance with the manufacturer's installation instructions and Manufactured Home Construction and Safety Standard Title 24 CFR, Part 3280, or the current Standard for Fire Safety Criteria for Manufactured Home Installations, Sites, and Communities ANSI/NFPA 501A, and with CAN/CSA Z240 MH Mobile Home Standard in Canada. Certified for use with Heat Wave (Kit # 946-556). Fan (Part # 432-917) This vented gas fireplace heater is not for use with air filters.</p>																														
<p>Electrical supply 115VAC, 1.13 A, 60Hz. Not for use with solid fuel.</p>		<p>DOOR SEAL: Please check that the door is properly sealed</p> <p>FPI Fireplace Products International Ltd Delta, BC, Canada</p> <p>Made in Canada/ Fabrique au Canada 918-761a</p>																												

For the State of Massachusetts, installation and repair must be done by a plumber or gas fitter licensed in the Commonwealth of Massachusetts.

For the State of Massachusetts, flexible connectors shall not exceed 36 inches in length.

For the State of Massachusetts, the appliances individual manual shut-off must be a t-handle type valve.

The State of Massachusetts requires the installation of a carbon monoxide alarm in accordance with NFPA 720 and a CO alarm with battery back up in the same room where the gas appliance is installed.

MA Code - CO Detector (for the State of Massachusetts only)

5.08: Modifications to NFPA-54, Chapter 10

(2) Revise 10.8.3 by adding the following additional requirements:

(a) For all side wall horizontally vented gas fueled equipment installed in every dwelling, building or structure used in whole or in part for residential purposes, including those owned or operated by the Commonwealth and where the side wall exhaust vent termination is less than seven (7) feet above finished grade in the area of the venting, including but not limited to decks and porches, the following requirements shall be satisfied:

1. **INSTALLATION OF CARBON MONOXIDE DETECTORS.** At the time of installation of the side wall horizontal vented gas fueled equipment, the installing plumber or gasfitter shall observe that a hard wired carbon monoxide detector with an alarm and battery back-up is installed on the floor level where the gas equipment is to be installed. In addition, the installing plumber or gasfitter shall observe that a battery operated or hard wired carbon monoxide detector with an alarm is installed on each additional level of the dwelling, building or structure served by the side wall horizontal vented gas fueled equipment. It shall be the responsibility of the property owner to secure the services of qualified licensed professionals for the installation of hard wired carbon monoxide detectors

a. In the event that the side wall horizontally vented gas fueled equipment is installed in a crawl space or an attic, the hard wired carbon monoxide detector with alarm and battery back-up may be installed on the next adjacent floor level.

b. In the event that the requirements of this subdivision can not be met at the time of completion of installation, the owner shall have a period of thirty (30) days to comply with the above requirements; provided, however, that during said thirty (30) day period, a battery operated carbon monoxide detector with an alarm shall be installed.

2. **APPROVED CARBON MONOXIDE DETECTORS.** Each carbon monoxide detector as required in accordance with the above provisions shall comply with NFPA 720 and be ANSI/UL 2034 listed and IAS certified.

3. **SIGNAGE.** A metal or plastic identification plate shall be permanently mounted to the exterior of the building at a minimum height of eight (8) feet above grade directly in line with the exhaust vent terminal for the horizontally vented gas fueled heating appliance or equipment. The sign shall read, in print size no less than one-half (1/2) inch in size, "**GAS VENT DIRECTLY BELOW. KEEP CLEAR OF ALL OBSTRUCTIONS**".

4. **INSPECTION.** The state or local gas inspector of the side wall horizontally vented gas fueled equipment shall not approve the installation unless, upon inspection, the inspector observes carbon monoxide detectors and signage installed in accordance with the provisions of 248 CMR 5.08(2)(a)1 through 4.

(b) **EXEMPTIONS:** The following equipment is exempt from 248 CMR 5.08(2)(a)1 through 4:

1. The equipment listed in Chapter 10 entitled "Equipment Not Required To Be Vented" in the most current edition of NFPA 54 as adopted by the Board; and

2. Product Approved side wall horizontally vented gas fueled equipment installed in a room or structure separate from the dwelling, building or structure used in whole or in part for residential purposes.

(c) **MANUFACTURER REQUIREMENTS - GAS EQUIPMENT VENTING SYSTEM PROVIDED.** When the manufacturer of Product Approved side wall horizontally vented gas equipment provides a venting system design or venting system components with the equipment, the instructions provided by the manufacturer for installation of the equipment and the venting system shall include:

1. Detailed instructions for the installation of the venting system design or the venting system components; and

2. A complete parts list for the venting system design or venting system.

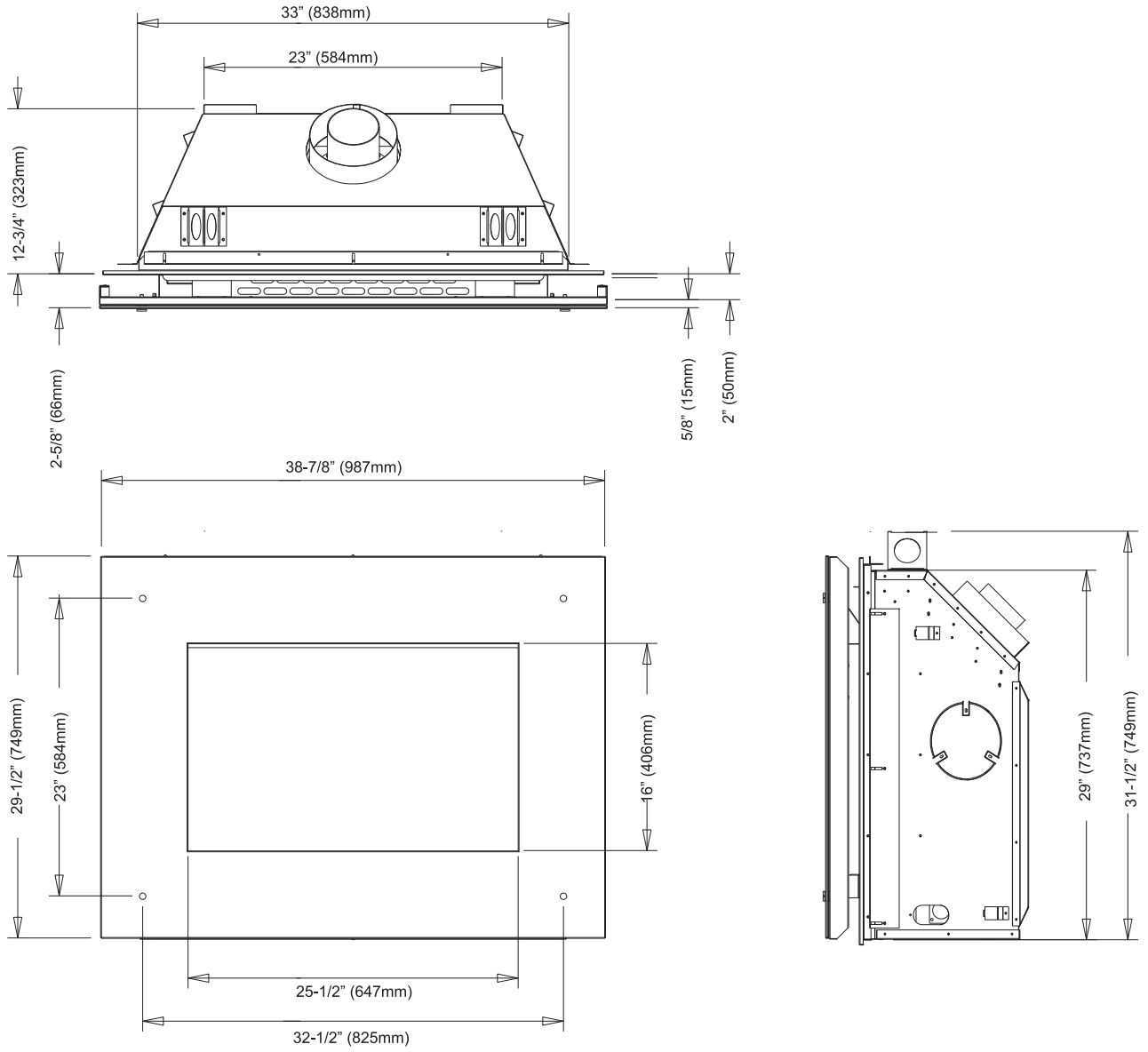
(d) **MANUFACTURER REQUIREMENTS - GAS EQUIPMENT VENTING SYSTEM NOT PROVIDED.** When the manufacturer of a Product Approved side wall horizontally vented gas fueled equipment does not provide the parts for venting the flue gases, but identifies "special venting systems", the following requirements shall be satisfied by the manufacturer:

1. The referenced "special venting system" instructions shall be included with the appliance or equipment installation instructions; and

2. The "special venting systems" shall be Product Approved by the Board, and the instructions for that system shall include a parts list and detailed installation instructions.

(e) A copy of all installation instructions for all Product Approved side wall horizontally vented gas fueled equipment, all venting instructions, all parts lists for venting instructions, and/or all venting design instructions shall remain with the appliance or equipment at the completion of the installation.

UNIT DIMENSIONS



INSTALLATION

IMPORTANT MESSAGE SAVE THESE INSTRUCTIONS

The P33 Sunrise™ Fireplace must be installed in accordance with these instructions. Carefully read all the instructions in this manual first. Consult the "authority having jurisdiction" to determine the need for a permit prior to starting the installation. It is the responsibility of the installer to ensure this fireplace is installed in compliance with manufacturers instructions and all applicable codes.

BEFORE YOU START

Safe installation and operation of this appliance requires common sense, however, we are required by the Canadian Safety Standards and ANSI Standards to make you aware of the following:

INSTALLATION AND REPAIR SHOULD BE DONE BY AN AUTHORIZED SERVICE PERSON. THE APPLIANCE SHOULD BE INSPECTED BEFORE USE AND AT LEAST ANNUALLY BY A PROFESSIONAL SERVICE PERSON. MORE FREQUENT CLEANING MAY BE REQUIRED DUE TO EXCESSIVE LINT FROM CARPETING, BEDDING MATERIAL, ETC. IT IS IMPERATIVE THAT CONTROL COMPARTMENTS, BURNERS AND CIRCULATING AIR PASSAGeways OF THE APPLIANCE BE KEPT CLEAN.

DUE TO HIGH TEMPERATURES, THE APPLIANCE SHOULD BE LOCATED OUT OF TRAFFIC AND AWAY FROM FURNITURE AND DRAPERIES.

WARNING: FAILURE TO INSTALL THIS APPLIANCE CORRECTLY WILL VOID YOUR WARRANTY AND MAY CAUSE A SERIOUS HOUSE FIRE.



CHILDREN AND ADULTS SHOULD BE ALERTED TO THE HAZARDS OF HIGH SURFACE TEMPERATURES, ESPECIALLY THE FIREPLACE GLASS, AND SHOULD STAY AWAY TO AVOID BURNS OR CLOTHING IGNITION.

YOUNG CHILDREN SHOULD BE CAREFULLY SUPERVISED WHEN THEY ARE IN THE SAME AREA AS THE APPLIANCE. TODDLERS, YOUNG CHILDREN AND OTHERS MAY BE SUSCEPTIBLE TO ACCIDENTAL CONTACT BURNS. A PHYSICAL BARRIERS IS RECOMMENDED IF THERE ARE AT RISK INDIVIDUAL IN THE HOUSE. TO RESTRICT ACCESS TO A FIREPLACE OR STOVE, INSTALL AN ADJUSTABLE SAFETY GATE TO KEEP TODDLERS, YOUNG CHILDREN AND OTHER AT RISK INDIVIDUALS OUT OF THE ROOM AND AWAY FROM HOT SURFACES.

CLOTHING OR OTHER FLAMMABLE MATERIAL SHOULD NOT BE PLACED ON OR NEAR THE APPLIANCE.

GENERAL SAFETY INFORMATION

- 1) The appliance installation must conform with local codes or, in the absence of local codes, with the current Canadian or National Gas Codes, CAN1-B149 or ANSI Z223.1 Installation Codes.
- 2) The appliance when installed, must be electrically grounded in accordance with local codes, or in the absence of local codes with the current National Electrical Code, ANSI/NFPA 70 or CSA C22.1 Canadian Electrical Code.
- 3) See general construction and assembly instructions. The appliance and vent should be enclosed.
- 4) This appliance must be connected to the specified vent and termination cap to the outside of the building envelope. Never vent to another room or inside a building. Make sure that the vent is fitted as per Venting instructions.
- 5) Inspect the venting system annually for blockage and any signs of deterioration.
- 6) Venting terminals shall not be recessed into a wall or siding.

- 7) Any safety glass removed for servicing must be replaced prior to operating the appliance.
- 8) To prevent injury, do not allow anyone who is unfamiliar with the operation to use the fireplace.
- 9) Wear gloves and safety glasses for protection while doing required maintenance.
- 10) Be aware of electrical wiring locations in walls and ceilings when cutting holes for termination.
- 11) Under no circumstances should this appliance be modified. Parts that have to be removed for servicing should be replaced prior to operating this appliance.
- 12) Installation and any repairs to this appliance should be done by an authorized service person. A professional service person should be called to inspect this appliance annually. Make it a practice to have all of your gas appliances checked annually.
- 13) Do not slam shut or strike the glass door.
- 14) Under no circumstances should any solid fuels (wood, paper, cardboard, coal, etc.) be used in this appliance.
- 15) The appliance area must be kept clear and free of combustible materials, (gases and other flammable vapours and liquids).

Emissions from burning wood or gas could contain chemicals known to the State of California to cause cancer, birth defects or other reproductive harm.

INSTALLATION CHECKLIST

- 1) Locate appliance
 - a) Room location (Refer to "Locating Your Gas fireplace" section)
 - b) Clearances to Combustibles (Refer to "Clearances" section)
 - c) Mantle Clearances (Refer to "Mantle Clearances" section)
 - d) Framing & Finishing Requirements (Refer to "Framing & Finishing" section)
 - e) Venting Requirements (Refer to "Venting" section)
- 2) Assemble Top and Side Standoffs (Refer to "Unit Assembly Prior to Installation).
- 3) Slide unit into place.
- 4) Install vent (Refer to "Venting Arrangement" sections).
- 5) Make gas connections (Refer to "Gas Line Installation section).
- 6) Test the pilot (Refer to "Pilot Adjustment" section).
- 7) Test Gas Pressure (Refer to "Gas Pipe Pressure Testing" section).
- 8) Install 1 AA battery in the DC Sparker (see P 31.)
- 9) Install standard and optional features. Refer to the following sections:
 - a) Optional Stainless Steel Reflective Panels
 - b) Glass Crystals or Optional Ceramic Stones
 - c) Optional Firebox Base Pebbles
 - d) Remote Control or Wall Thermostat
 - e) Optional Fan Assembly
 - f) Faceplate
- 10) Wall Mounted ON/OFF Switch: Use the toggle wall switch supplied with the manual package. Use of a "decor" switch causes higher resistance which is a problem on gas fireplaces.
- 11) Final check.

Before leaving this unit with the customer, the installer must ensure that the appliance is firing correctly and **operation fully explained to customer.**

This includes:

- 1) Clocking the appliance to ensure the correct firing rate (rate noted on label), after burning appliance for 15 minutes.
- 2) If required, adjusting the primary air to ensure that the flame does not carbon. First allow the unit to burn for 15-20 min. to stabilize.

CAUTION: Any alteration to the product that causes sooting or carboning that results in damage is not the responsibility of the manufacturer.

LOCATING YOUR GAS FIREPLACE

- 1) When selecting a location for your fireplace, ensure that the clearances are met.
- 2) The appliance must be installed on a flat, solid, continuous surface For example a wood, metal or concrete floor or in a raised (on the wall) application. The appliance must be installed on a metal or wood panel extending the full width and depth of the appliance.
- 3) The P33 Sunrise™ Gas Fireplace can be installed in a recessed position or framed out into the room as in A, B, C and D. See Diagram 1.

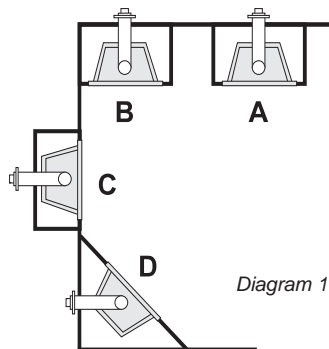


Diagram 1

- A) Flat on Wall
- B) Flat on Wall Corner
- C) Recessed into Wall/Alcove
- D) Corner

- 4) This appliance is Listed for bedroom installations when used with a listed Millivolt Thermostat. Some areas may have further requirements, check local codes before installation.
- 5) The P33 Sunrise™ Gas Fireplace is approved for alcove installations, see "Clearances" section for details.
- 6) We recommend that you plan your installation on paper using exact measurements for clearances and floor protection before actually installing this appliance. Have an authorized inspector, dealer, or installer review your plans before installation.

Note: For vent terminations refer to "Exterior Vent Termination Locations" section.

INSTALLATION

CLEARANCES

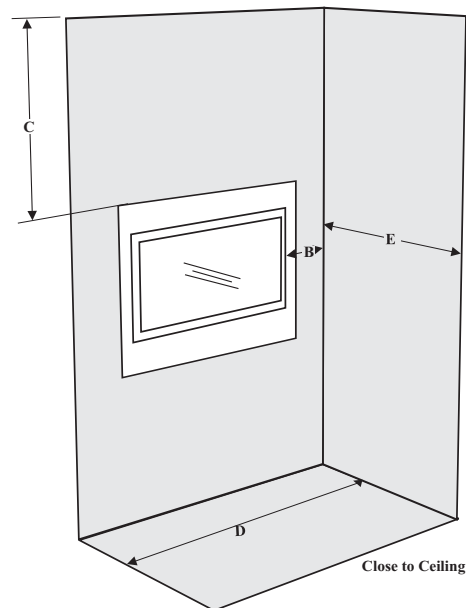
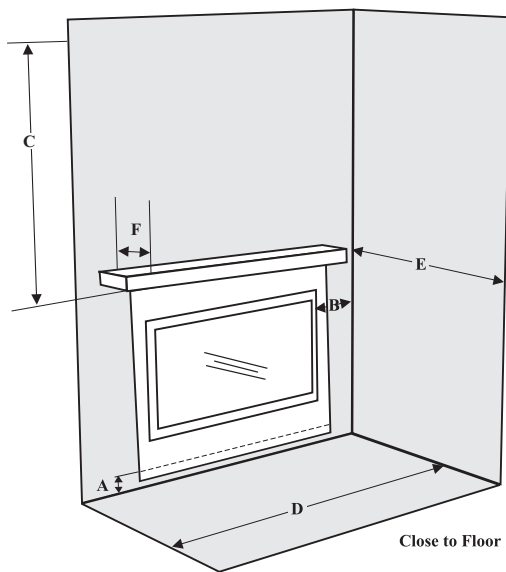
The clearances listed below are Minimum distances unless otherwise stated:

A major cause of chimney related fires is failure to maintain required clearances (air space) to combustable materials. It is of the greatest importance that this fireplace and vent system be installed only in accordance with these instructions.

Clearance:	Dimension	Measured From:
A: *Front Floor Clearance (min.)	1" (25mm)	Underside of Unit
B: *Sidewall (on one side)	7-1/2" (241mm)	Side of Unit
C: *Ceiling (room and/or alcove)	30" (889mm)	Top of Unit
D: Alcove Width	48" (1219mm)	Sidewall to Sidewall (Minimum)
E: Alcove Depth	36" (914mm)	Front to Back Wall (Maximum)
F: Max. mantel depth	12" (305mm)	

Flue Clearances	
Horizontal - Top	2-1/2"
Horizontal - Side	1-1/2"
Horizontal - Bottom	1-1/2"
Vertical (Flex Vent)	1-1/2"
Vertical (Rigid)	1-1/4"

*Note: All measurements are from the top/side of the unit, not optional front.



Caution Requirements

The top, back and sides of the fireplace are defined by standoffs. The metal ends of the standoff may **NOT** be recessed into combustable construction.

WARNING

Fire hazard is an extreme risk if these clearances (air space) to combustable materials are not adhered to. It is of greatest importance that this fireplace and vent system be installed only in accordance with these instructions.

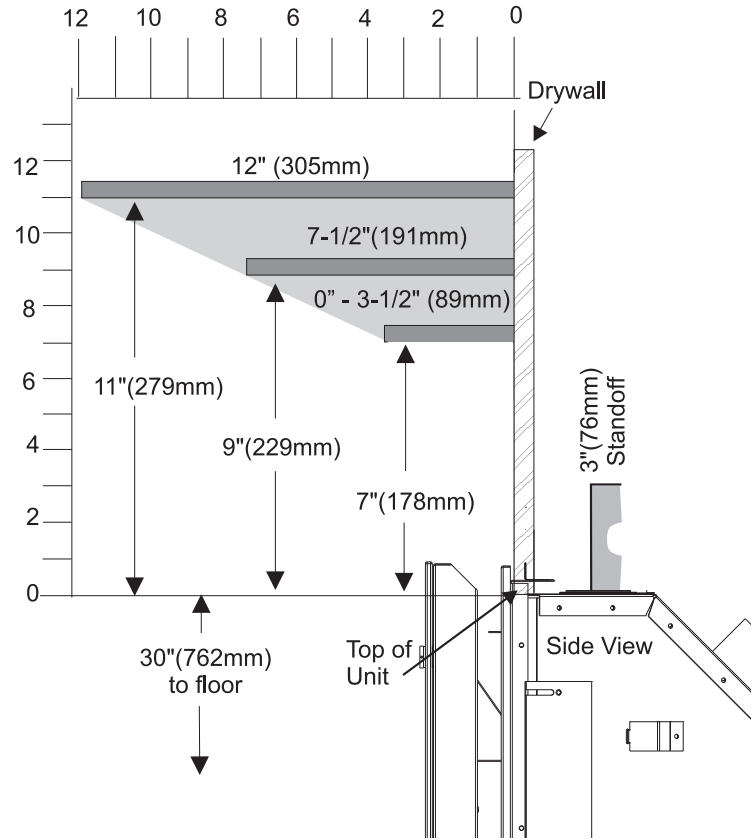
MANTEL CLEARANCES

Due to the extreme heat this fireplace emits, the mantel clearances are critical. Combustible mantel clearances from top of front facing are shown in the diagram on the right.

Note: A non-combustible mantel may be installed at a lower height if the framing is made of metal studs covered with a non-combustible board.

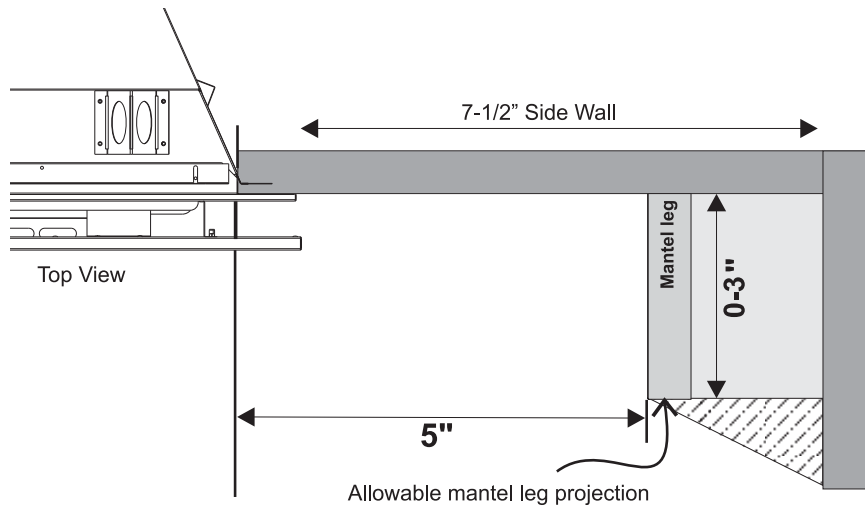
Note: Ensure the paint that is used on the mantel and the facing is "heat resistant" or the paint may discolour.

Mantel Clearances



MANTEL LEG CLEARANCES

Combustible mantel leg clearances from side of unit as per diagram:



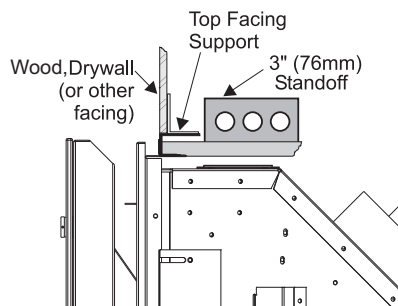
INSTALLATION

FRAMING & FINISHING

- 1) Determine the total thickness of facing material (e.g. drywall, wood plus ceramic tiles) to allow the finished surface to be flush with the front of the unit. Total facing thickness can vary from 1/2" (13mm) to 1-1/4" (32mm) thick.

NOTE: Facing material may not protrude beyond unit, otherwise the optional accessories will not be able to be mounted to the unit.

Install Side Nailing Strips, and Top Facing Support before unit is slipped into position. See "Unit Assembly Prior to Installation" Section



- 2) Frame in the enclosure for the unit with framing material. The top of the glass door frame must not be closer than 35" (889mm) to the ceiling.

Note: When constructing the framed opening, please ensure there is access to install the gas lines when the unit is installed.

- 3) For exterior walls, insulate the enclosure to the same degree as the rest of the house, apply vapour barrier and drywall, as per local installation codes. (Do not insulate the fireplace itself.)

WARNING: Failure to insulate and add vapor barriers to the inside of the exterior wall will result in operational and performance problems including, but not limited to: excessive condensation on glass doors, poor flame package, carbon, blue flames etc. These are not product related issues.

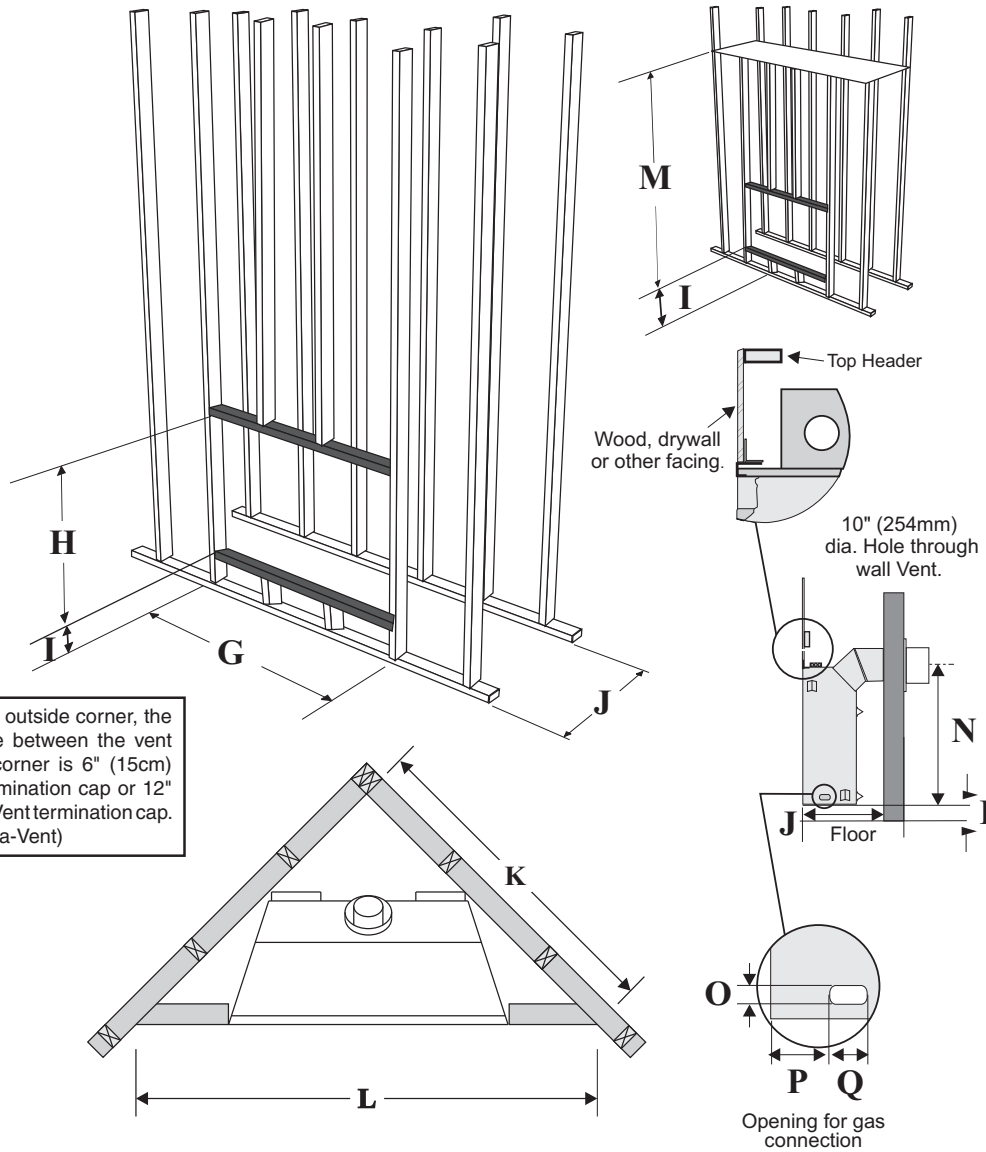
- 4) Combustible material may be brought up to the top and sides of the unit and be covered with wood, drywall, ceramic tiles, bricks, rock or other suitable combustible finishing materials.

Note: The unit does not have to be completely enclosed in a chase. The clearance on top of the unit is 0" to the standoffs so combustible building materials can be laid directly on top of the standoffs. You must maintain clearance from the vent to combustible materials for flex or for Rigid Vent (Refer to "Clearances" Section).

- 5) Use steel studs for framing where the 1-1/2" (38mm) clearance from the vent to combustible material cannot be maintained.



FRAMING DIMENSIONS



NOTE: If this is an outside corner, the minimum distance between the vent and the outside corner is 6" (15cm) with AstroCap termination cap or 12" (30cm) with Rigid Vent termination cap. (For example Dura-Vent)

Framing Dimensions	Description	P33S	
G	Framing Width	33-1/4" (845mm)	
H	Framing Height *	31-3/4" (806mm)	
I	Framing Rise from Floor	1" (25mm) Min.	
J	Framing Depth	Vertical	19-1/2" (495mm)
		Horizontal	16-1/2" (419mm) Rigid / 12-3/4" (324mm) Flex
K	Corner Wall Length	37-1/2" (953mm)	
L	Corner Facing Wall Width	53-1/4" (1353mm)	
M	Framed Chase Ceiling*	36" (914mm) Rigid	32" (812mm) Flex
N	Vent Centerline Height*	30" (762mm) Rigid	26" (660mm) Flex
O	Gas Connection Height*	1 1/2" (38mm)	
P	Gas Connection Inset*	4" (102mm)	
Q	Gas Connection Width*	3" (76mm)	

* Measured from base of unit.

INSTALLATION

UNIT ASSEMBLY PRIOR TO INSTALLATION

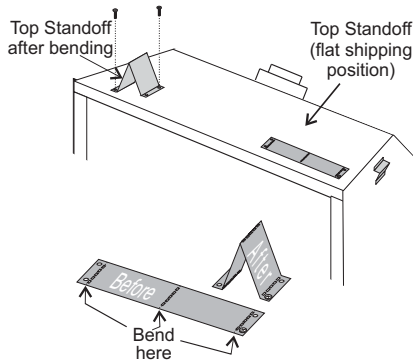
The Top Facing Support, the Side Nailing Strips and the 2 Top Standoffs must be correctly positioned and attached to the top before the unit is put into position.

Top Standoff Assembly

The top standoffs are shipped in a flat position and must be pulled up and bent into the correct shape.

- 1) Remove the standoffs from on top of the firebox by undoing the screws.
- 2) Take each standoff and bend into the correct shape. Bend up at the bend lines until the screw holes in the standoff and the pre-punched screw holes on the firebox top line-up.
- 3) Attach the standoffs securely to the top with 4 screws per standoff.

Note: Secure the standoffs to the holes closest to the edge of the firebox top.

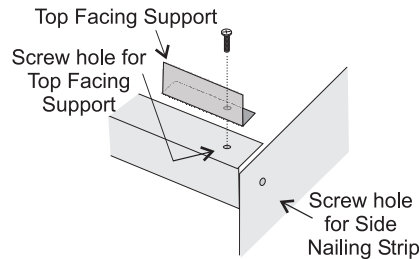
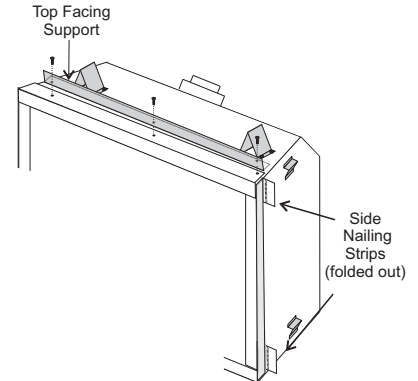


Top Facing Support & Side Nailing Strips

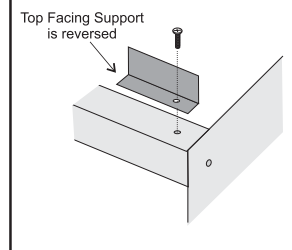
Determine the total thickness of facing material (e.g. drywall, wood plus ceramic tiles) to allow the finished surface to be flush with the front of the unit. Total facing thickness can vary from 1/2" (13mm) to 1-1/4" (32mm) thick.

The Top Facing Support & Side Nailing Strips can be mounted in various positions depending on the thickness of the facing material.

- 1) Mount Top Facing Support using the 3 supplied screws into the three pre-punched screw holes on the top front of the unit. Adjust support to desired facing material depth.
- 2) Mount Side Nailing Strip using the 3 supplied screws into the three pre-punched screw holes at the front sides of the unit. Adjust support to desired facing material thickness.



For a facing material depth of 1-1/4" (32mm), the top facing support must be reversed.



VENTING INTRODUCTION

The P33 Sunrise™ uses the "balanced flue" technology Co-Axial system. The inner liner vents products of combustion to the outside while the outer liner draws outside combustion air into the combustion chamber thereby eliminating the need to use heated room air for combustion and losing warm room air up the chimney.

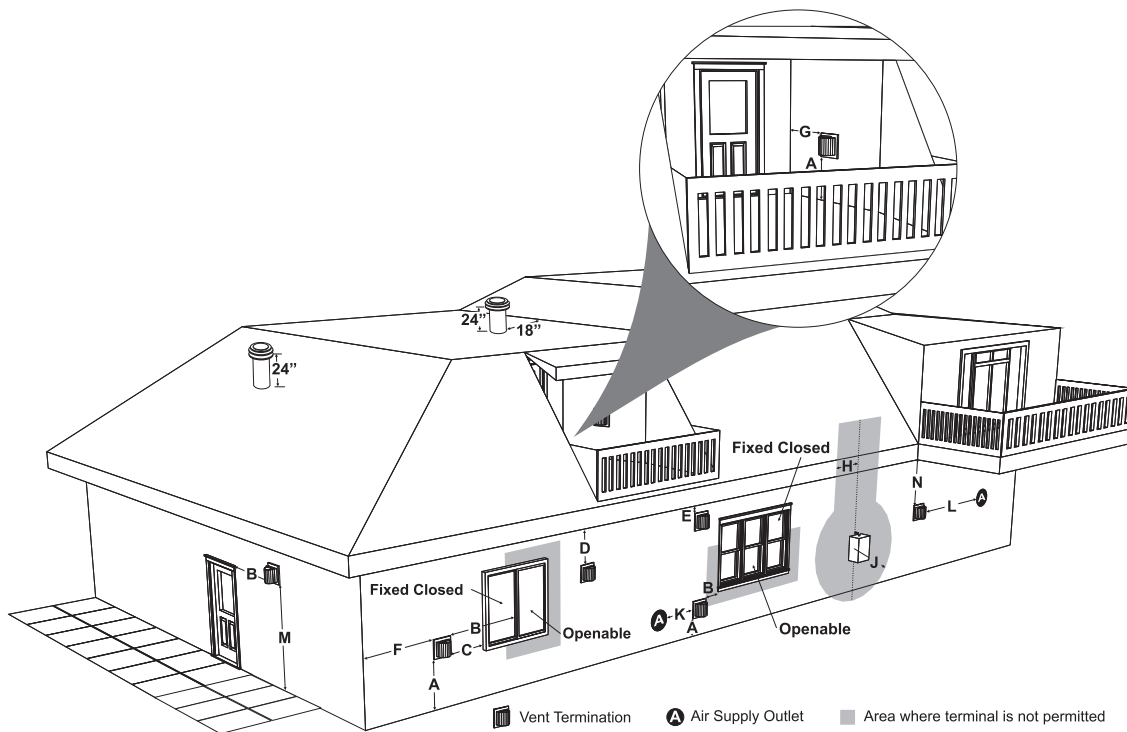
There are 5 vent systems approved for use with the P33S: the Regency® Direct Vent Flex System for Horizontal Terminations only and the Simpson Dura-Vent, Selkirk Direct-Temp, Amerivent Direct Vent and Security Secure Vent Systems for Horizontal and Vertical Terminations (see following "Venting" Sections for more details).

Note: These flue pipes must not be connected to any other appliance.

The gas appliance and vent system must be vented directly to the outside of the building, and never be attached to a chimney serving a separate solid fuel or gas burning appliance. Each direct vent gas appliance must use its own separate vent system. Common vent systems are prohibited. (See "Rigid Pipe Venting System" for more details and exceptions).

NOTE: Ensure compliance with the outside vent terminal location before cutting hole as both dimensions must be met.

EXTERIOR VENT TERMINATION REQUIREMENTS



Minimum Clearance Requirements		Canada ¹	USA ²
A	Clearance above grade, veranda, porch, deck, or balcony	12"(30cm)	12"(30cm)
B	Clearance to window or door that may be opened	12"(30cm)	9" (23cm)
C	Clearance to permanently closed window	*	*
D	Vertical clearance to ventilated soffit located above the terminal within a horizontal distance of 2 feet (61cm) from the center line of the terminal (check with the local code)	18"(46cm)	18"(46cm)
E	Clearance to unventilated soffit	15"(38cm)	15"(38cm)
F	Clearance to outside corner: with AstroCap Termination Cap.	6"(15cm)	6"(15cm)
	Clearance to outside corner: with all other approved Termination Caps.	12"(30cm)	12"(30cm)
G	Clearance to inside corner: with AstroCap Termination Cap	6"(15cm)	6"(15cm)
	Clearance to inside corner: with all other approved Termination Caps.	12"(30cm)	12"(30cm)
H	Clearance to each side of center line extended above meter/regulator assembly	36"(90cm) ^a	*
J	Clearance to service regulator vent outlet	36"(90cm)	*
K	Clearance to non-mechanical air supply inlet to building or the combustion air inlet to any other appliance	12"(30cm)	9" (23cm)
L	Clearance to a mechanical air supply inlet #3' (91cm) above if within 10' (3m) horizontally.	72"(1.8m)	36"(90cm) ^b
M	Clearance above paved sidewalk or a paved driveway located on public property	84"(2.1m) [†]	*
N	Clearance under veranda, porch, deck, or balcony	12"(30cm) [‡]	*

¹ In accordance with current CSA B149.1, *Natural Gas and Propane Installation Code*

² In accordance with the current ANSI Z223.1/NFPA 54, *National Fuel Gas Code*

[†] A vent shall not terminate directly above a sidewalk or paved driveway which is located between two single family dwellings and serves both dwellings

[‡] Permitted only if veranda, porch, deck, or balcony is fully open on a minimum of two sides beneath the floor

* Clearance in accordance with local installation codes and the requirements of the gas supplier

^a 3 feet (91cm) within a height of 15 feet (4.5m) above the meter / regulator assembly

^b 3 feet (91cm) above - if within 10 feet (3m) horizontally

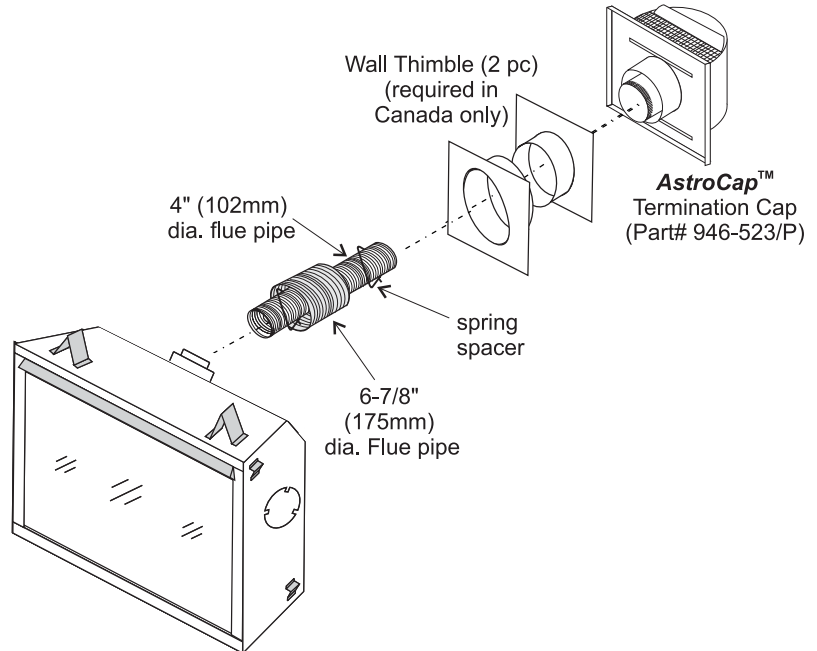
INSTALLATION

REGENCY® DIRECT VENT FLEX SYSTEM Horizontal Terminations Only

This venting system, in combination with the P33S-4 Direct Vent Gas Fireplace, have been tested and listed as a direct vent heater system by Warnock Hersey. The location of the termination cap must conform to the requirements in the "Exterior Vent Terminal Locations" Section.

Regency® Direct Vent Flex Termination Kit (Part # 946-513) includes all the parts needed to install the P33S-4 with a maximum run of 2 feet. If installing the P33S-4 with a **continuous** vent length of more than 2 ft (.6m) to a maximum of 10 ft. (3.0m) use Kit # 946-515 (4 ft) or 946-516 (10 ft) or see "Rigid Pipe Venting Systems" Section for alternate venting arrangements.

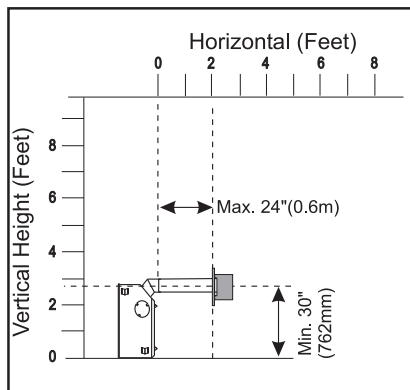
AstroCap Flex Kits	
1	6-7/8" dia. flexible liner (kit length)
2	4" dia. flexible liner (kit length)
3	spring spacers (3)
4	thimble (2)
5	AstroCap termination cap (1)
6	screws (12)
7	tube of Mill Pac (1)
8	plated screws (8)
9	screws #8 x 1-1/2" drill point, stainless steel (4)



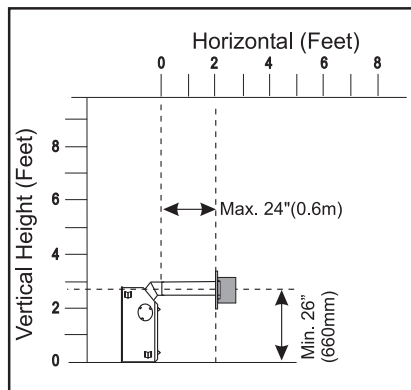
Notes:

- 1) Liner sections should be continuous without any joints or seams.
- 2) Only Flex pipe purchased from Regency® may be used for Flex installations.

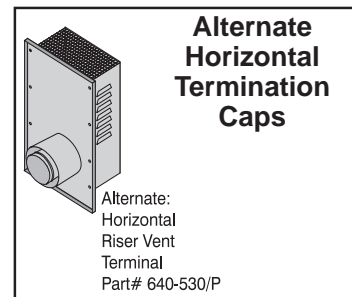
MINIMUM
RIGID PIPE CENTER-LINE



MINIMUM
FLEX KIT CENTER-LINE



Note: - Unit must be raised by 1".



Wherever necessary due to external location of cap, the AstroCap can be replaced with the FPI Riser Vent Termination Cap.

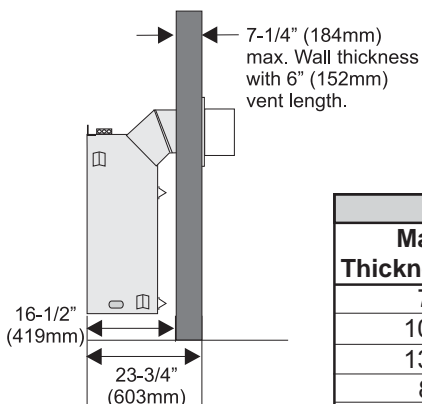
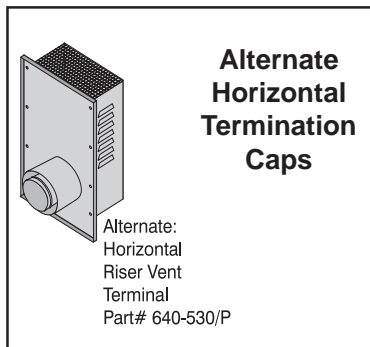
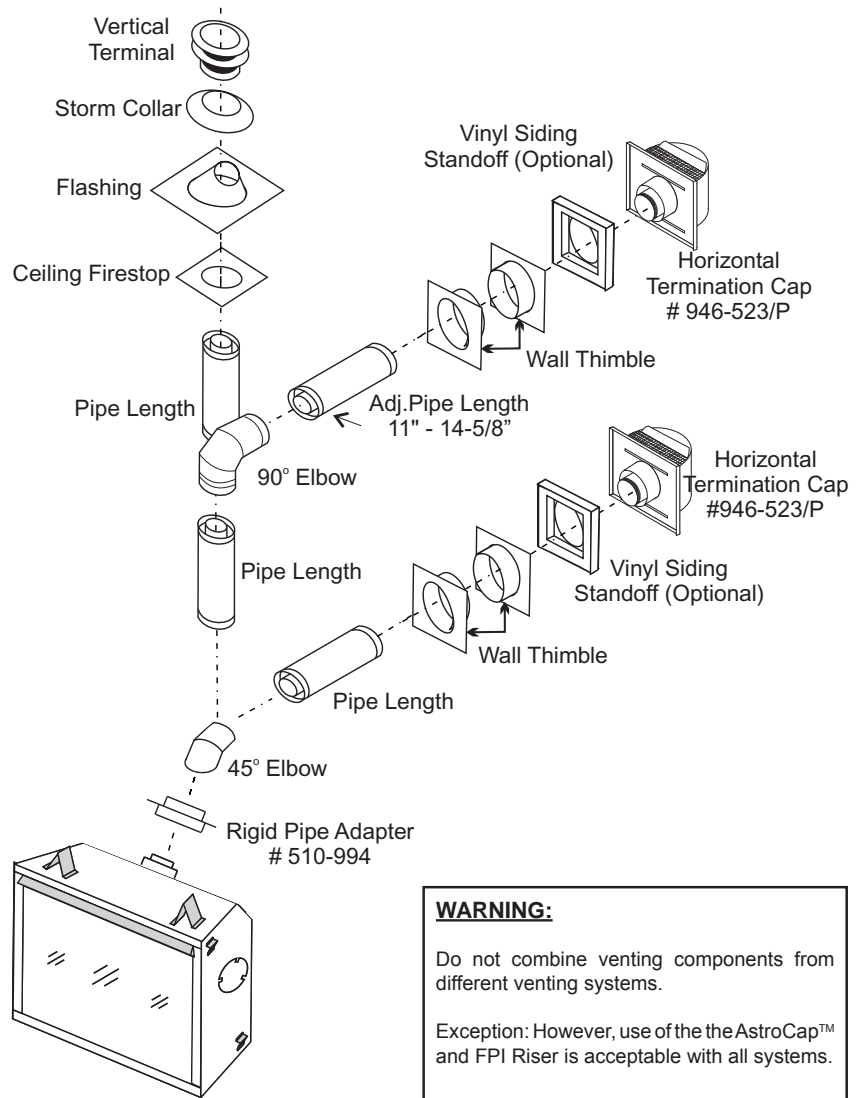
RIGID PIPE VENTING SYSTEMS *Horizontal or Vertical Terminations*

The minimum components required for a basic horizontal termination are:

- 1 **AstroCap** Horizontal Termination Cap
- 1 45° Elbow
- 1 Rigid Pipe Adaptor
- 1 Wall Thimble
- 1 Length of pipe to suit wall thickness (see chart)

For siding other than vinyl, furring strips may be used, instead of the vinyl siding standoff, to create a level surface to mount the vent terminal. The Terminal must not be recessed into siding.

If a Vinyl Siding Standoff is required (it must be used with vinyl siding), measure to outside surface of wall without siding and add 2 inches.



Flat Wall Installation	
Max. Wall Thickness (inches)	Vent Length Required (inches)
7 - 1/4"	6"
10 - 1/4"	9"
13 - 1/4"	12"
8 - 1/4"	3" to 7" Slip
13 - 1/4"	3" to 14-1/2" Slip

WARNING:

Do not combine venting components from different venting systems.

Exception: However, use of the the AstroCap™ and FPI Riser is acceptable with all systems.

This product has been evaluated by Intertek for using a Rigid Pipe Adaptor in conjunction with Duravent Direct-Vent, Selkirk Direct-Temp, Ameri Vent Direct venting and Security Secure Vent systems. Use of these systems with the Rigid Pipe adaptor is deemed acceptable and does not affect the Intertek WHI listing of components.

When using Rigid Vent other than Simpson Dura-Vent, 3 screws must be used to secure rigid pipe to adaptor.

The FPI AstroCap™ and FPI Riser Vent terminal are certified for installations using FPI venting systems as well as Simpson Dura-Vent® Direct Vent, American Metal Products Ameri Vent Direct Vent, Security Secure Vent®, Selkirk Direct-Temp. AstroCap™ is a proprietary trademark of FPI Fireplace Products International Ltd. Dura-Vent® and Direct Vent are registered and/or proprietary trademarks of Simpson Dura-Vent Co. Inc.

INSTALLATION

4" X 6-5/8" RIGID PIPE CROSS REFERENCE CHART

Components from different Manufacturers may not be mixed. Not all Rigid Pipe components are available directly from FPI.

Description	Simpson Direct Vent Pro®	Selkirk Direct Temp™	American Metal Products® Amerivent Direct	Metal-Fab™ Sure Seal	Security Secure-Vent®	ICC Excel Direct
6" Pipe Length-Galvanized	46DVA-06	4DT-6	N/A	4D6	SV4L6	TC-4DL6
6" Pipe Length-Black	46DVA-06B	4DT-6B	N/A	4D6B	SV4LB6	TC-4DL6B
7" Pipe Length-Galvanized	N/A	N/A	4D7	N/A	N/A	N/A
7" Pipe Length-Black	N/A	N/A	4D7B	N/A	N/A	N/A
9" Pipe Length-Galvanized	46DVA-09	4DT-9	N/A	N/A	N/A	N/A
9" Pipe Length-Black	46DVA-09B	4DT-9B	N/A	N/A	N/A	N/A
12" Pipe Length-Galvanized	46DVA-12	4DT-12	4D12	4D12	SV4L12	TC-4DL1
12" Pipe Length-Black	46DVA-12B	4DT-12B	4D12B	4D12B	SV4LB12	TC-4DL1B
18" Pipe Length-Galvanized	46DVA-18	4DT-18	4D18	4D18	SV4LA	TC-4DL18
18" Pipe Length-Black	46DVA-18B	4DT-18B	4D18B	4D18B	SV4LA	TC-4DL18B
24" Pipe Length-Galvanized	46DVA-24	4DT-24	4D24	4D24	SV4L24	TC-4DL2
24" Pipe Length-Black	46DVA-24B	4DT-24B	4D24B	4D24B	SV4LB24	TC-4DL2B
36" Pipe Length-Galvanized	46DVA-36	4DT-36	4D36	4D36	SV4L36	TC-4DL3
36" Pipe Length-Black	46DVA-36B	4DT-36B	4D36B	4D36B	SV4LB36	TC-4DL3B
48" Pipe Length-Galvanized	46DVA-48	4DT-48	4D48	4D48	SV4L48	TC-4DL4
48" Pipe Length-Black	46DVA-48B	4DT-48B	4D48B	4D48B	SV4LB48	TC-4DL4B
60" Pipe Length-Galvanized	46DVA-60	4DT-60	N/A	N/A	N/A	N/A
60" Pipe Length-Black	46DVA-60B	4DT-60B	N/A	N/A	N/A	N/A

Adjustable Length 3"-10"-Galvanized	N/A	N/A	N/A	4DAL	N/A	TC-4DLT
Adjustable Length 3"-10"-Black	N/A	N/A	N/A	4DALB	N/A	TC-4DLTB
Adjustable Length 7"-Galvanized	N/A	N/A	4D7A	N/A	N/A	N/A
Adjustable Length 7"-Black	N/A	N/A	4D7AB	N/A	N/A	N/A
Extension Pipe 8-1/2"-Galvanized	46DVA-08A	N/A	N/A	N/A	N/A	N/A
Extension Pipe 8-1/2"-Black	46DVA-08AB	N/A	N/A	N/A	N/A	N/A
Adjustable Length 12"-Galvanized	N/A	N/A	4D12A	N/A	SV4LA12	N/A
Adjustable Length 12"-Black	N/A	N/A	4D12A	N/A	SV4LBA12	N/A
Extension Pipe 16"-Galvanized	46DVA-16A	N/A	N/A	N/A	N/A	N/A
Extension Pipe 16"-Black	46DVA-16AB	N/A	N/A	N/A	N/A	N/A

45° Elbow-Galvanized	46DVA-E45	4DT-EL45	4D45L	N/A	N/A	TE-4DE45
45° Elbow-Black	46DVA-E45B	4DT-EL45B	4DT-EL45B	N/A	N/A	TE-4DE45B
45° Elbow Swivel-Galvanized	See 46DVA-E45	N/A	N/A	4D45L	SV4E45	N/A
45° Elbow Swivel-Black	See 46DVA-E45B	N/A	N/A	4D45LB	SV4EB45	N/A
90° Elbow-Galvanized	46DVA-E90	4DT-EL90S	4DT-EL90S	N/A	N/A	TE-4DE90
90° Elbow-Black	46DVA-E90B	4DT-EL90SB	4DT-EL90SB	N/A	SV4EBR90-1	TE-4DE90B
90° Elbow, Swivel-Galvanized	See 46DVA-E90	N/A	N/A	4D90L	SV4E90-1	N/A
90° Elbow, Swivel-Black	See 46DVA-E90B	N/A	N/A	4D90LB	SV4EB90-1	N/A
90° Starter Elbow, Swivel-Galvanized	N/A	N/A	N/A	4D90A	N/A	N/A
Adaptor*	N/A	N/A	N/A	4D90L	N/A	N/A

Ceiling Support	N/A	4DT-CS	4DFSP	4DSP	SV4SD	TE-4DE45
Cathedral Support Box	46DVA-CS	4DT-CSS	4DRSB	4DRS	SV4CSB	TE-4DE45B
Wall Support/Band	46DVA-WS	4DT-WS/B	4DWS	4DWS	SV4BM	N/A
Offset Support	46DVA-ES (N/A - FPI)	4DT-OS	N/A	N/A	SV4SU	N/A
Wall Thimble-Black	46DVA-WT	4DT-WT	4DWT	4DWT	SV4RSM	TE-4DE90
Wall Thimble Support/Ceiling Support	46DVA-DC	N/A	N/A	N/A	SV4PF	TE-4DE90B
Firestop Spacer	46DVA-FS	4DT-FS	4DFSP	4DFS	SV4BF	N/A
Trim Plate-Black	N/A	4DT-TP	4DFPB	4DCP	SV4LA	N/A

INSTALLATION

Description	Simpson Direct Vent Pro®	Selkirk Direct Temp™	American Metal Products® Amerivent Direct	Metal-Fab™ Sure Seal	Security Secure-Vent®	ICC Excel Direct
Attic Insulation Shield 12"	46DVA-IS N/A@ FPI	N/A	4DAIS12	N/A	SV4RSA	N/A
Attic Insulation Shield - Cold Climates 36"	N/A	N/A	4DAIS12	N/A	N/A	TM-4AS

Basic Horizontal Termination Kit (A)	Disc.	4DT-HKA	4DHTK2	4DHTKA	SV-SHK	N/A
Horizontal Termination Kit (B)	46DVA-KHA (Changed Components)	4DT-HKB	4DHTK1	4DHTKB	SV-HK	N/A
Vertical Termination Kit	Disc.	4DT-VKC	4DHTK	4DHTK	SV-FK	N/A

High Wind Vertical Cap	46DVA-VCH	N/A	N/A	N/A	N/A	TM-4VT
High Wind Horizontal Cap	46DVA-HC	N/A	N/A	N/A	N/A	TM-4DHT
Horizontal Square Termination Cap	See 46DVA-HC	4DT-HHC	4DHC	4DHT	SV4CHC-1	TM-4HT
Vertical Termination Cap	N/A	4DT-HVC	4DVC	4DVT	SV4CGV-1	TM-4VT
Storm Collar	46DVA-08A	4DT-SC	4DSC	4DSC	SV4FC	TM-SC

Adjustable Flashing 0/12-6/12	N/A	4DT-ST14	4D12S	4DST14	SV4STC14	TF-4FA
Adjustable Flashing 6/12-12/12	N/A	4DT-ST36	4D36S	4DST36	SV4STC36	TF-4FB

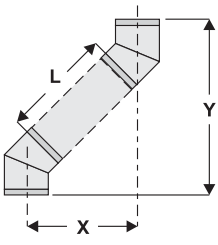
Vinyl Siding Standoff	46DVA-VSS	4DT-VS	N/A	4DVS	SV4VS	TM-VSS
Vinyl Siding Shield Plate	N/A	4DT-VSP	N/A	N/A	SV4VS	N/A

Snorkel Termination 14"	46DVA-VCH	N/A	N/A	N/A	N/A	TM-4ST14
Snorkel Termination 36"	46DVA-HC	N/A	N/A	N/A	N/A	TM-4ST36

Restrictor Disk	46DVA-RD	N/A	N/A	N/A	N/A	TM-4DS
Extended Vertical Termination Cap	46DVA-VCE	N/A	N/A	N/A	N/A	N/A
Chimney Conversion Kit A (USA only)	46DVA-KCA	N/A	N/A	N/A	N/A	TM-4CA6
Chimney Conversion Kit B (USA only)	46DVA-KCB	N/A	N/A	N/A	N/A	TM-4CA7
Chimney Conversion Kit C (USA only)	46DVA-KCC	N/A	N/A <td N/A	N/A	TM-4CA8	
Chimney Conversion Kit Masonry (USA only)	46DVA-KMC	N/A	N/A	N/A	N/A	N/A
Wall Firestop	46DVA-WFS	N/A	N/A	N/A	N/A	TM-4TR
Colinear Flex Connectors	46DVA-ADF	N/A	N/A	N/A	N/A	N/A

FPI			
946-506/P	Vent Guard (Optional) for AstroCap	946-205	Vinyl Siding Shield for Riser Vent Terminal
510-994	Rigid Pipe Adaptor (Must use with all rigid piping)	946-208/P	Vent Guard (Optional) for Riser Vent Terminal
640-530/P	Riser Vent Terminal	946-523/P	AstroCap Horizontal Cap
946-605	Starter Collar Increaser 4" x 6-5/8" to 5" x 8"	946-206	Vinyl Siding Standoff for AstroCap

Note: When using Metal-Fab Sure Seal Rigid Piping - please note that the Adaptor (4DDA) must be used in conjunction with FPI Rigid Pipe Adaptor (510-994).

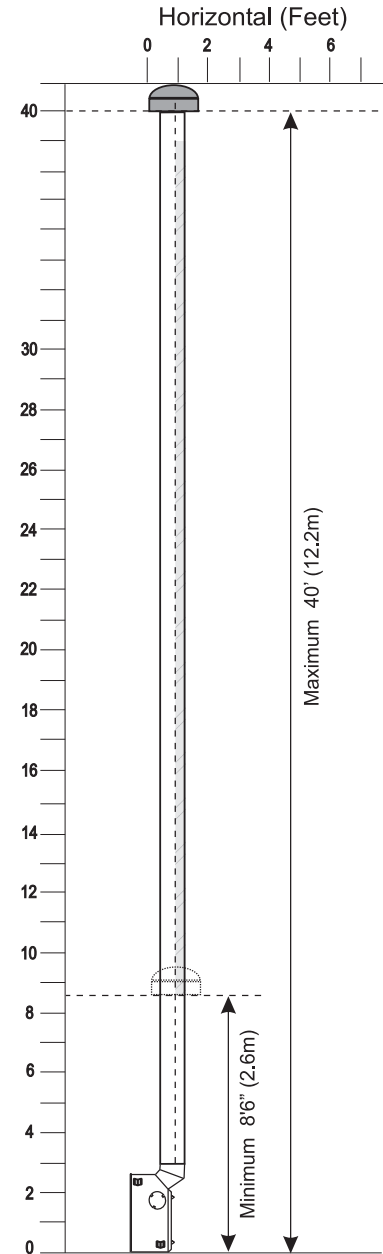
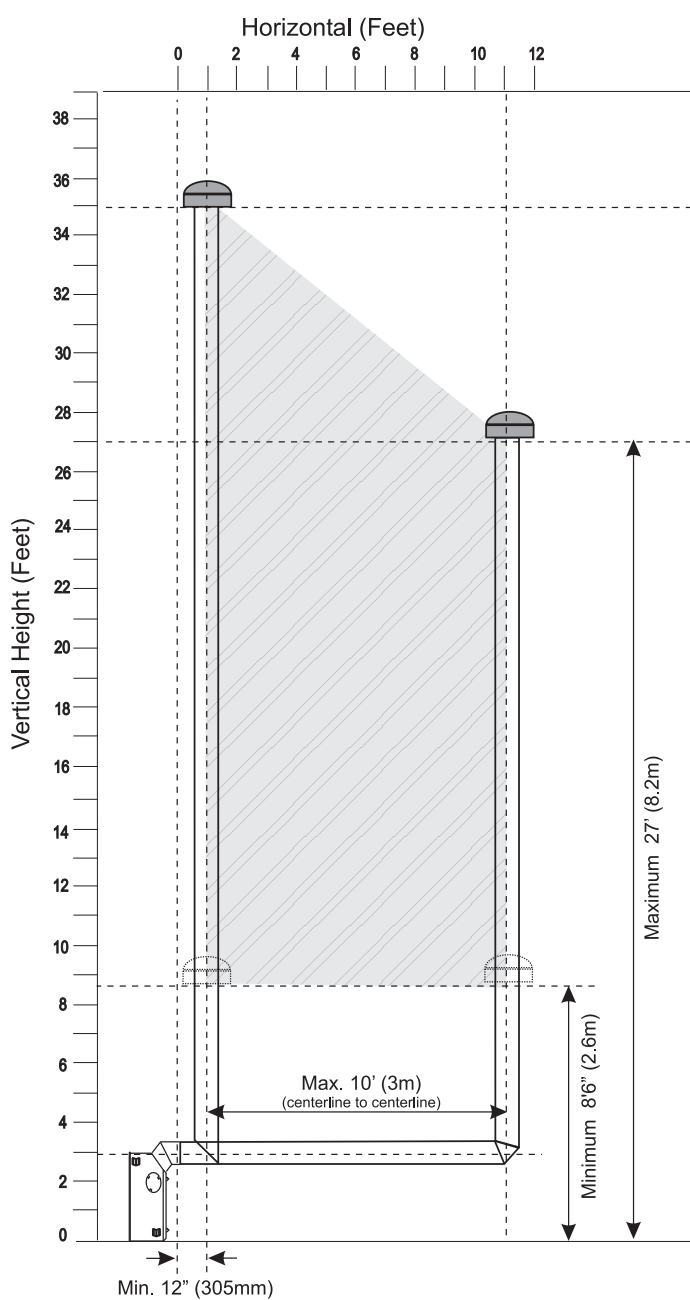
Offset Pipe Selection: Use this table to determine offset pipe lengths.				
Pipe Length (L)	4" x 6-5/8" Venting			For specific instructions on venting components - visit the manufacturers website listed below. Simpson Direct Vent Pro: www.duravent.com Selkirk Direct-Temp: www.selkirkcorp.com American Metal Products: www.americanmetalproducts.com Metal-Fab Sure Seal: www.mtfab.com Security Secure Vent: www.securitychimneys.com Industrial Chimney Company: www.icc-rsf.com
	Run (X)	Rise (Y)		
0" (0mm)	4-7/8" (124mm)	13-7/8" (340mm)		
6" (152mm)	8" (203mm)	16-1/2" (419mm)		
9" (229mm)	10-1/8" (257mm)	18-5/8" (473mm)		
12" (305mm)	12-1/4" (311mm)	20-3/4" (527mm)		
24" (610mm)	20-5/8" (524mm)	29-1/8" (740mm)		
36" (914mm)	29" (737mm)	37-1/2" (953mm)		
48" (1219mm)	37-7/16" (951mm)	45-15/16" (1167mm)		

Note: Horizontal runs of vent must be level, or have a 1/4" rise for every 1 foot of run towards the termination.
Never allow the vent to run downward - this could cause high temperatures and may present a possible fire hazard.

INSTALLATION

RIGID PIPE VENTING ARRANGEMENTS Vertical Terminations (Propane & Natural Gas)

The shaded area in the diagram shows all allowable combinations of straight vertical and offset to vertical terminations, using one 90° elbow, with rigid pipe vent systems for Propane and Natural Gas.



- Unit must be raised 1".
- Firestops are required at each floor level and whenever passing through a wall.
- Maintain clearances to combustibles.
- Vent must be supported at offsets.

Note: Must use optional rigid pipe adapter when using rigid vent systems (Part # 510-994).

VERTICAL TERMINATION WITH CO-LINEAR FLEX SYSTEM

THE APPLIANCE MUST NOT BE CONNECTED TO A CHIMNEY FLUE SERVING A SEPARATE SOLID FUEL BURNING APPLIANCE.

Masonry chimneys may take various contours which the flexible liner will accommodate. However, **keep the flexible liner as straight as possible**, avoid unnecessary bending.

The Air Intake pipe must be attached to the inlet air collar of the termination cap.

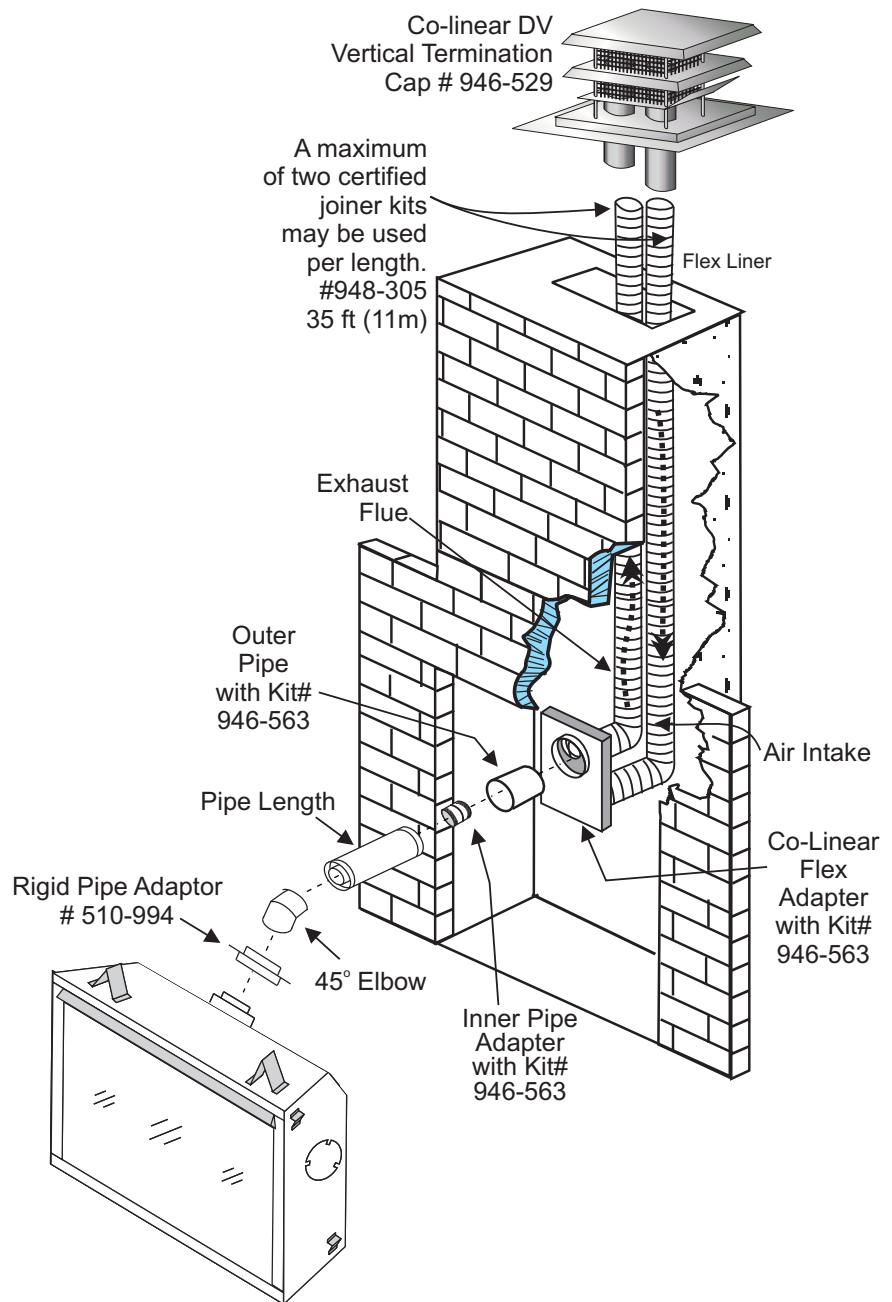
This appliance is designed to be attached to two 3" (76mm) co-linear aluminium flex running the full length of the chimney. See the "Venting Arrangements - Vertical Terminations" Section for minimum and maximum heights.

Required Parts:

Part #	Description
946-529	Co-linear DV Vertical Termination Cap
948-305	3" Flex - 35 ft.
946-563	Co-Axial to Co-Linear Adapter Kit which contains the following: Co-linear Flex Adapter Outer Pipe Inner Pipe Adapter
510-994	Rigid Pipe Adaptor
46DVA-E45	45° Elbow

Alternate Approved Caps

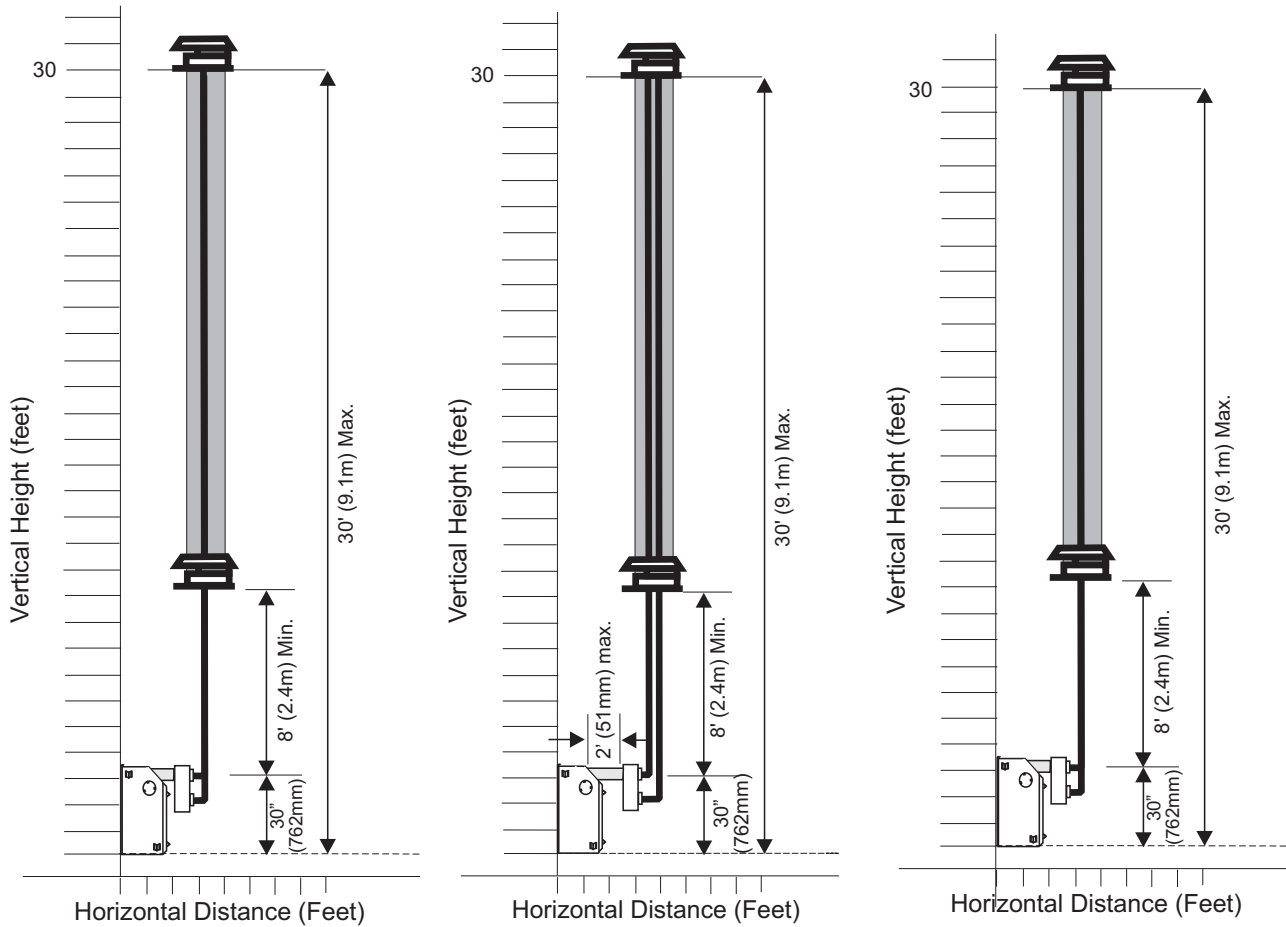
46DVA-VC	Vertical Termination Cap
46DVA-VCH	High Wind Cap
46DVAGK	3" Co-linear Adapter with flashing



INSTALLATION

VENTING ARRANGEMENTS - VERTICAL TERMINATIONS

with Co-linear Flex System for both
Residential & Manufactured Homes
into Masonry Fireplaces



The shaded area in the diagrams show
the allowable vertical terminations.

RIGID PIPE VENTING ARRANGEMENTS

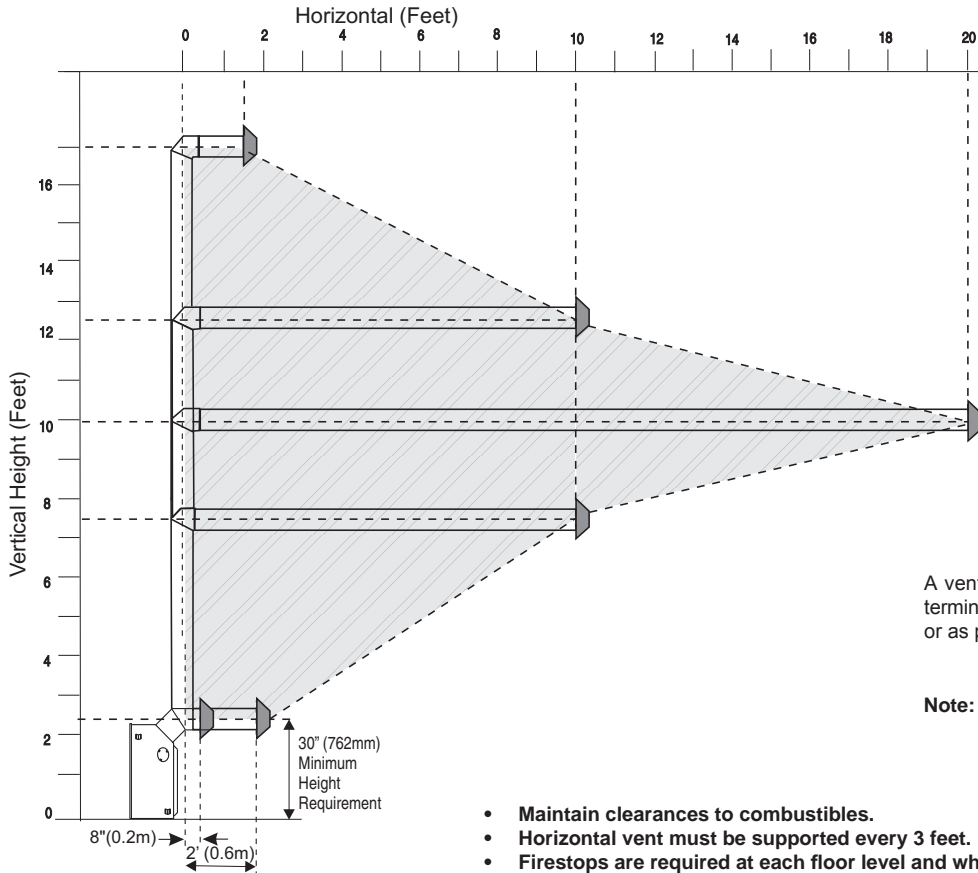
Horizontal Terminations

REGENCY® DIRECT VENT SYSTEM (FLEX)

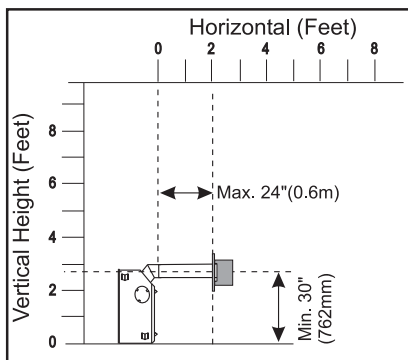
(Propane & Natural Gas)

This diagram shows all allowable combinations of vertical runs with horizontal terminations, using one 45° and one 90° elbow (two 45° elbows equal one 90° elbow).

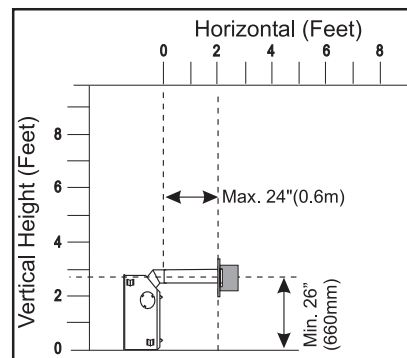
Note: Must use optional rigid pipe adaptor (Part # 510-994) when using rigid pipe vent systems. (Refer "Rigid Pipe Venting Systems" Section)



Minimum
Simpson Dura-Vent Center-Line



Minimum
Flex Kit Center-Line

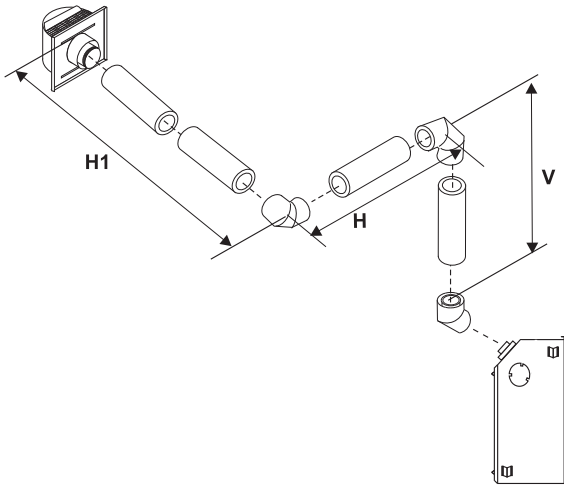


INSTALLATION

Horizontal Venting with Two (2) 90° Elbows

One 90° elbow = Two 45° elbows.

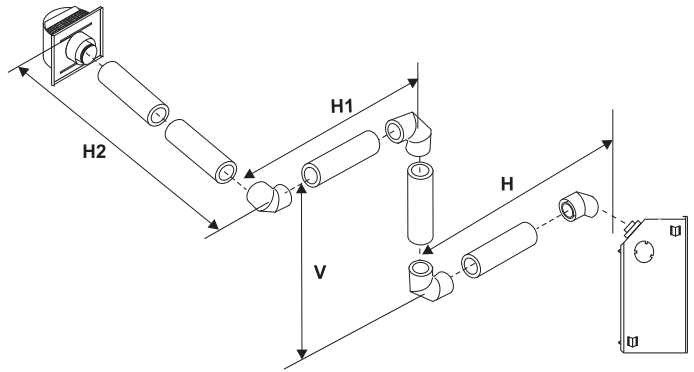
Option	V	H + H1	With these options, maximum total pipe length is 30 feet with minimum of 6 feet total vertical and maximum 8 feet total horizontal. <i>Please note minimum 1 foot between 90° elbows is required.</i>
A)	1' Min.	3' Max.	
B)	2' Min.	4' Max.	
C)	3' Min.	5' Max.	
D)	4' Min.	6' Max.	
E)	5' Min.	7' Max.	
F)	6' Min.	8' Max.	



Horizontal Venting with Three (3) 90° Elbows

One 90° elbow = Two 45° elbows.

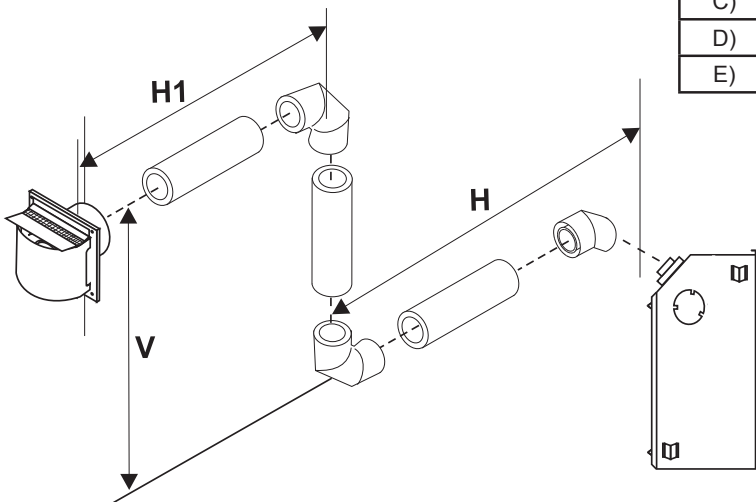
Option	H	V	H+H1+H2	With these options, maximum total pipe length is 30 feet with minimum of 11 feet total vertical and maximum 9 feet total horizontal. <i>Please note minimum 1 foot between 90° elbows is required.</i>
A)	1' Max.	1' Min.	3' Max.	
B)	2' Max.	3' Min.	5' Max.	
C)	3' Max.	5' Min.	6' Max.	
D)	4' Max.	7' Min.	7' Max.	
E)	5' Max.	9' Min.	8' Max.	
F)	6' Max.	11' Min.	9' Max.	



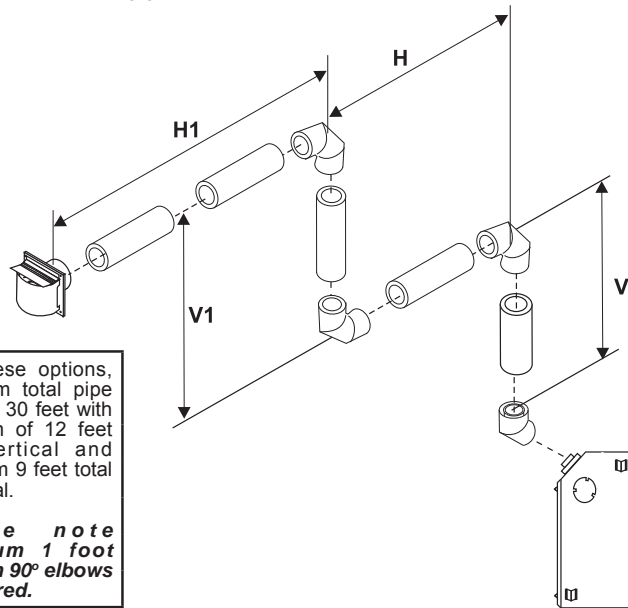
Horizontal Venting with Two (2) 90° Elbows

One 90° elbow = Two 45° elbows.

Option	H	V	H+H1	With these options, maximum total pipe length is 30 feet with minimum of 8 feet total vertical and maximum 8 feet total horizontal. <i>Please note minimum 1 foot between 90° elbows is required.</i>
A)	1' Max.	1' Min.	3' Max.	
B)	2' Max.	2' Min.	5' Max.	
C)	3' Max.	4' Min.	6' Max.	
D)	4' Max.	6' Min.	7' Max.	
E)	5' Max.	8' Min.	8' Max.	



Horizontal Venting with Three (3) 90° Elbows



One 90° elbow = Two 45° elbows.

Option	V	H	V+V1	H+H1
A)	2' Min.	1' Max.	3' Min.	4' Max.
B)	3' Min.	2' Max.	4' Min.	5' Max.
C)	4' Min.	3' Max.	6' Min.	6' Max.
D)	5' Min.	4' Max.	8' Min.	7' Max.
E)	6' Min.	5' Max.	10' Min.	8' Max.
F)	7' Min.	6' Max.	12' Min.	9' Max.

With these options, maximum total pipe length is 30 feet with minimum of 12 feet total vertical and maximum 9 feet total horizontal.

Please note minimum 1 foot between 90° elbows is required.

Vertical Venting with Two (2) 90° Elbows

One 90° elbow = Two 45° elbows.

Option	V	H	V+V1
A)	1' Min.	4' Max.	2' Min.
B)	2' Min.	5' Max.	3' Min.
C)	3' Min.	6' Max.	4' Min.
D)	4' Min.	7' Max.	5' Min.
E)	5' Min.	8' Max.	6' Min.

With these options, maximum total pipe length is 30 feet with minimum of 6 feet total vertical and maximum 8 feet total horizontal.

Please note minimum 1 foot between 90° elbows is required.

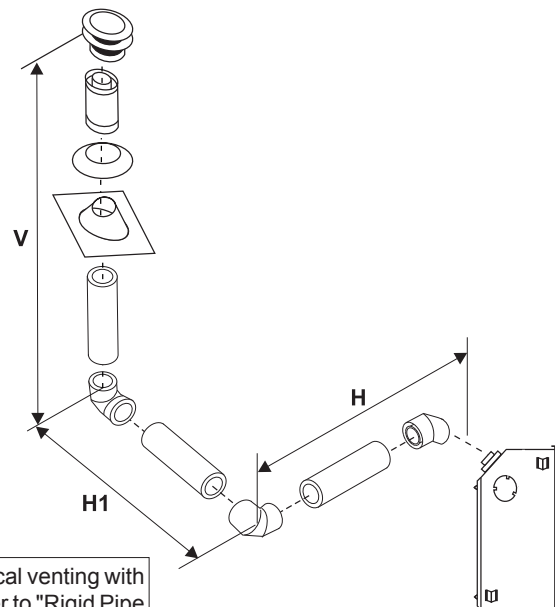
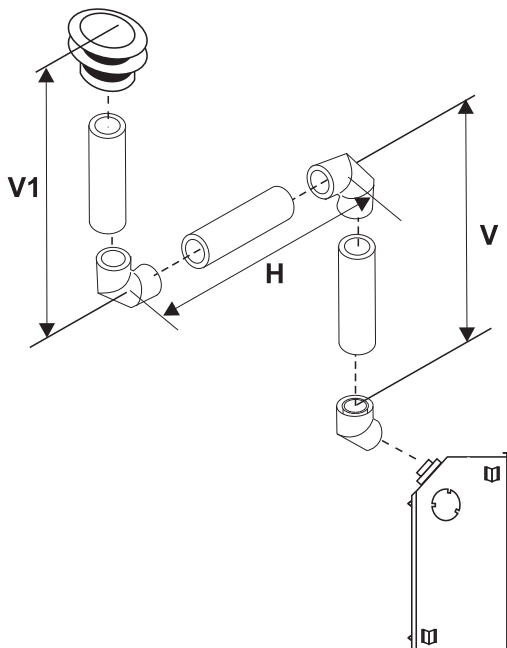
Vertical Venting with Two (2) 90° Elbows

One 90° elbow = Two 45° elbows.

Option	H + H1	V
A)	2' Max.	2' Min.
B)	3' Max.	3' Min.
C)	4' Max.	4' Min.
D)	5' Max.	5' Min.
E)	6' Max.	6' Min.

With these options, maximum total pipe length is 30 feet with minimum of 6 feet total vertical and maximum 6 feet total horizontal.

Please note minimum 1 foot between 90° elbows is required.



For additional vertical venting with 2 x 90° elbows, refer to "Rigid Pipe Venting Arrangements" Section.

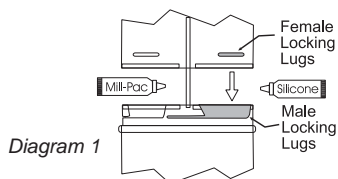
UNIT INSTALLATION WITH HORIZONTAL TERMINATION

Install the vent system according to the manufacturer's instructions included with the components.

- 1) Set the unit in its desired location. Check to determine if wall studs or roof rafters are in the way when the venting system is attached. If this is the case, you may want to adjust the location of the unit. Rough in the gas preferably on the right side of the unit and the electrical (junction block is on the left side) on the left.
- 2) Direct Vent pipe and fittings are designed with special twist-lock connections to connect the venting system to the appliance flue outlet. A twist-lock appliance adaptor is an available option that must be used in conjunction with the Simpson Dura-Vent Direct Vent system.
- 3) Put a bead of silicone inside the outer section of the adapter and a bead of Fireplace Mate on the inner collar. Slip the adapter over the existing inner and outer flue collar and fasten to the outer collar only with the 3 supplied screws (drilling pilot holes will make this easier). Level the fireplace and fasten it to the framing using nails or screws through the nailing strips.
- 4) Assemble the desired combination of pipe and elbows to the appliance adaptor and twist-lock for a solid connection.

Note:

- a) Twist-lock procedure: Four indentations, located on the female ends of pipes and fittings, are designed to slide straight onto the male ends of adjacent pipes and fittings, by orienting the four pipe indentations so they match and slide in to the four entry slots on the male ends, Dia. 1. Push the pipe sections completely together, then twist-lock one section clockwise approximately one-quarter turn, until the two sections are fully locked. The female locking lugs will not be visible from the outside, on the Black Pipe or fittings. They may be located by examining the inside of the female ends.

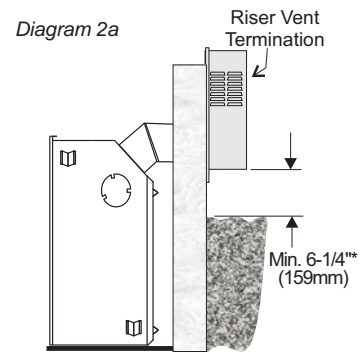
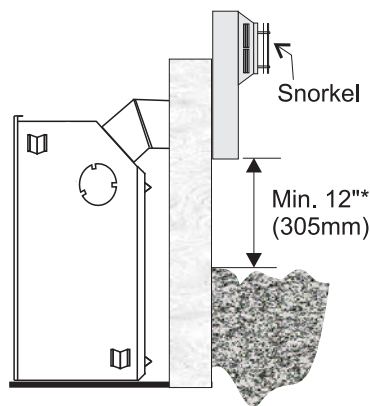


NOTE: For best results and optimum performance with each approved venting system, it is highly recommended to apply "Mill-Pac" sealant (supplied) to every inner pipe connection. Failure to do so may result in drafting or performance issues not covered under warranty. Silicone (red RTV) is optional.

- b) Horizontal runs of vent must be supported every three feet. Wall straps are available for this purpose.
- 5) Mark the wall for a 10" x 10" square hole. The center of the square hole should line up with the centerline of the horizontal pipe. Cut and frame the 10 inch square hole in the exterior wall where the vent will be terminated. If the wall being penetrated is constructed of non-combustible material, i.e. masonry block or concrete, a 7" (178mm) diameter (7-1/2" (191mm) dia. for flex) hole is acceptable.

Note:

- a) The horizontal run of vent must be level, or have a 1/4 inch rise for every 1 foot of run towards the termination. Never allow the vent to run downward. This could cause high temperatures and may present the possibility of a fire.
- b) The location of the horizontal vent termination on an exterior wall must meet all local and national building codes, and must not be blocked or obstructed. See "Exterior Vent Terminal Locations" Section.
- c) **Snorkel Terminations:**
For installations requiring a vertical rise on the exterior of the building, 14-inch and 36-inch tall Snorkel Terminations and the Riser Vent as shown in Dia. 2 & 2a are available. Follow the same installation procedures as used for standard Horizontal Termination. NEVER install the snorkel upside down.



Below Grade Snorkel Installation

If the Snorkel Termination must be installed below grade, i.e. basement application, proper drainage must be provided to prevent water from entering the Snorkel Termination. Refer to Snorkel Installation instructions for details. Do not attempt to enclose the Snorkel within the wall, or any other type of enclosure.

- 6) The arrow on the vent cap should be pointing up. Insure that the 1-1/2" clearances to combustible materials are maintained (Dia. 3). Install the termination cap. **AstroCap™** or all other approved Horizontal Termination Caps may be used.

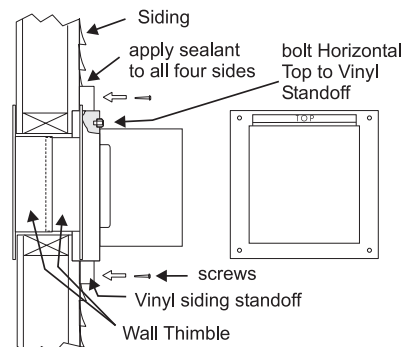


Diagram 3

The four wood screws provided should be replaced with appropriate fasteners for stucco, brick, concrete, or other types of sidings.

Note: If installing termination on a siding covered wall, a vinyl siding standoff or furring strips must be used to ensure that the termination is not recessed into the siding.

- 7) Before connecting the horizontal run of vent pipe to the vent termination, slide the Wall Thimble (Part # 620-926) over the vent pipe.

*As specified in CGA B149 Installation Code. Local codes or regulations may require different clearances.

INSTALLATION

- 8) Slide the appliance and vent assembly towards the wall carefully inserting the vent pipe into the vent cap assembly. It is important that the vent pipe extends into the vent cap sufficient distance so as to result in a minimum pipe overlap of 1-1/4 inches. Secure the connection between the vent pipe and the vent cap 3 sheet metal screws.
- 9) Install wall thimble in the center of the 10" square and attach with wood screws (Diagram 4).

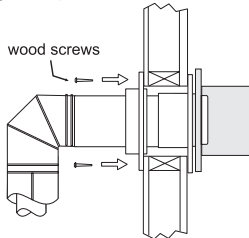


Diagram 4

UNIT INSTALLATION WITH VERTICAL TERMINATION

- 1) Maintain the 1-1/2" clearances (air spaces) to combustibles when passing through ceilings, walls, roofs, enclosures, attic rafter, or other nearby combustible surfaces. Do not pack air spaces with insulation. Check "Venting" Sections for the maximum vertical rise of the venting system and the maximum horizontal offset limitations.
- 2) Set the gas appliance in its desired location. Drop a plumb bob down from the ceiling to the position of the appliance flue exit, and mark the location where the vent will penetrate the ceiling. Drill a small hole at this point. Next, drop a plumb bob from the roof to the hole previously drilled in the ceiling, and mark the spot where the vent will penetrate the roof.
- 3) A Firestop spacer must be installed in the floor or ceiling of every level. To install the Firestop spacer in a flat ceiling or wall, cut a 10 inch square hole. Frame the hole as shown in Diagram 2 and install the firestop.

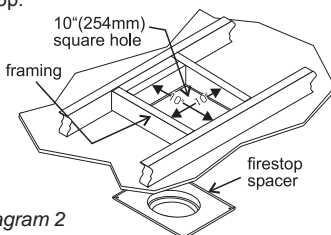
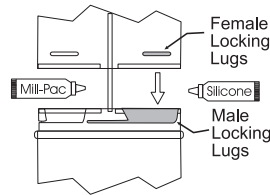


Diagram 2

- 4) Assemble the desired lengths of pipe and elbows. Ensure that all pipes and elbow connections are in the fully twist-locked position and sealed.



NOTE: For best results and optimum performance with each approved venting system, it is highly recommended to apply "Mill-Pac" sealant (supplied) to every inner pipe connection. Failure to do so may result in drafting or performance issues not covered under warranty. Silicone (red RTV) is optional.

- 5) Cut a hole in the roof centered on the small drilled hole placed in the roof in Step 2. The hole should be of sufficient size to meet the minimum requirements for clearance to combustibles of 1-1/2". Slip the flashing under the shingles (shingles should overlap half the flashing) as per Diagram 3.

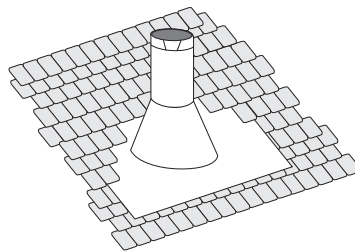


Diagram 3: The upper half of the flashing is installed under the roofing material and not nailed down until the chimney is installed. This allows for small adjustments.

- 6) Continue to assemble pipe lengths.

Note: If an offset is necessary in the attic to avoid obstructions, it is important to support the vent pipe every 3 feet, to avoid excessive stress on the elbows, and possible separation. Wall straps are available for this purpose.

Galvanized pipe is desirable above the roof line due to its higher corrosion resistance. Continue to add pipe sections through the flashing until the height of the vent cap meets the minimum height requirements specified in Dia. 4 or local codes. Note that for steep roof pitches, the vertical height must be increased. A poor draft, or down drafting can result from high wind conditions near big trees or adjoining roof lines, in these cases, increasing the vent height may solve the problem.

- 7) Ensure vent is vertical and secure the base of the flashing to the roof with roofing nails, slide storm collar over the pipe section and seal with a mastic.

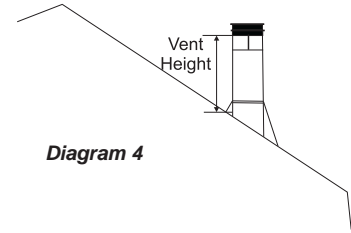


Diagram 4

Roof Pitch	Minimum Vent Height	
	Feet	Meters
flat to 7/12	2	0.61
over 7/12 to 8/12	2	0.61
over 8/12 to 9/12	2	0.61
over 9/12 to 10/12	2.5	0.76
over 10/12 to 11/12	3.25	0.99
over 11/12 to 12/12	4	1.22
over 12/12 to 14/12	5	1.52
over 14/12 to 16/12	6	1.83
over 16/12 to 18/12	7	2.13
over 18/12 to 20/12	7.5	2.29
over 20/12 to 21/12	8	2.44

- 8) Install the vertical termination cap by twist-locking it.

Note: Any closets or storage spaces, which the vent passes through must be enclosed.

GAS LINE INSTALLATION

The gas line is brought through the right side of the appliance. The gas valve is situated on the right hand side of the unit and the gas inlet is on the right hand side of the valve.

The gas line connection may be made of rigid pipe, copper pipe or an approved flex connector. (If you are using rigid pipe, ensure that the valve can be removed for servicing.) Since some municipalities have additional local codes it is always best to consult with your local authorities and the CAN/CGA B149 installation code.

For USA installations follow local codes and/ or the current National Fuel Gas Code, ANSI Z223.1.

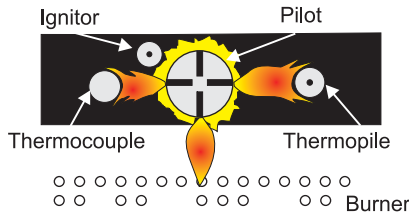
When using copper or flex connectors use only approved fittings. Always provide a union so that gas lines can be easily disconnected for servicing. Flare nuts for copper lines and flex connectors are usually considered to meet this requirement.

Important: Always check for gas leaks with a soap and water solution or gas leak detector. Do not use open flame for leak testing.

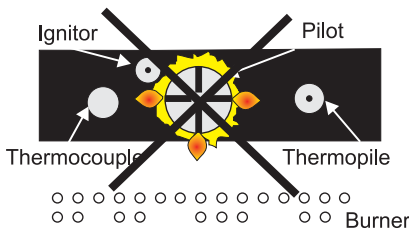
PILOT ADJUSTMENT

Periodically check the pilot flames. Correct flame pattern has three strong blue flames: 1 flowing around the thermopile, 1 around the thermocouple and 1 flowing across the burner (it does not have to be touching the burner).

Note: If you have an incorrect flame pattern, contact your FPI dealer for further instructions.



Incorrect flame pattern will have small, probably yellow flames, not coming into proper contact with the rear burner or thermopile or thermocouple.



HIGH ELEVATION

This unit is approved in Canada for altitude to 4500 ft. (CAN/CGA-2.17-M91). For Natural Gas installations above 4500 ft. follow current CAN/CGA-B149.1.

P33S-NG4 System Data	
Conversion Kit#	434-970 (NG to LP)
For 0 to 4500 feet altitude Burner Inlet Orifice Sizes:	#47
Max. Input Rating	17,000 Btu/h
Min. Input Rating	12,000 Btu/h
Supply Pressure	min.5.0" w.c.
Manifold Pressure (High)	3.5"+/- 0.3" w.c.

P33S-LP4 System Data	
For 0 to 4500 feet altitude Burner Inlet Orifice Sizes:	#56
Max. Input Rating	15,500 Btu/h
Min. Input Rating	12,000 Btu/h
Supply Pressure	min.11.0" w.c.
Manifold Pressure (High)	10"+/- 0.4"w.c.

GAS PIPE PRESSURE TESTING

The appliance must be isolated from the gas supply piping system by closing its individual manual shut-off valve during any pressure testing of the gas supply piping system at test pressures equal to or less than 1/2 psig. (3.45 kPa). Disconnect piping from valve at pressures over 1/2 psig.

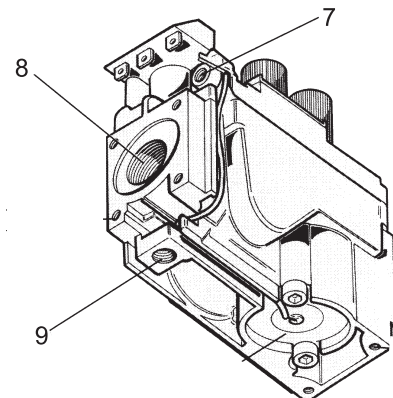
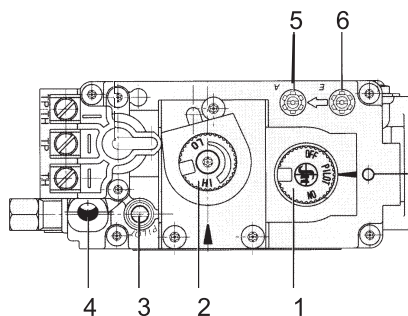
The manifold pressure is controlled by a regulator built into the gas control, and should be checked at the pressure test point.

Note: To properly check gas pressure, both inlet and manifold pressures should be checked using the valve pressure ports on the valve.

- 1) Make sure the valve is in the "OFF" position.
- 2) Loosen the "IN" and/or "OUT" pressure tap(s), turning counterclockwise with a 1/8" wide flat screwdriver.
- 3) Attach manometer to "IN" and/or "OUT" pressure tap(s) using a 5/16" ID hose.
- 4) Light the pilot and turn the valve to "ON" position.
- 5) The pressure check should be carried out with the unit burning and the setting should be within the limits specified on the safety label.
- 6) When finished reading manometer, turn off the gas valve, disconnect the hose and tighten the screw (clockwise) with a 1/8" flat screwdriver. **Note: Screw should be snug, but do not over tighten.**

S.I.T. VALVE DESCRIPTION

- 1) Gas on/off knob
- 2) Manual high/low adjustment
- 3) Pilot Adjustment
- 4) Thermocouple Connection - option
- 5) Outlet Pressure Tap
- 6) Inlet Pressure Tap
- 7) Pilot Outlet
- 8) Main Gas Outlet
- 9) Alternative TC Connection Point



INSTALLATION

CONVERSION KIT# 434 - 970 FROM NG TO LP For P33 Sunrise™ Using SIT 820 NOVA Gas Valve

THIS CONVERSION MUST BE DONE BY A QUALIFIED GAS FITTER IF IN DOUBT DO NOT DO THIS CONVERSION !!

Each Kit contains one LPG Conversion Kit # 434-970

LPG Conversion Kit Contains:

Qty.	Part #	Description
1	904-241	Burner Orifice #56
1	918-590	Decal "Converted to LPG"
1	908-528	Red "LPG" label
1	904-529	5/32" Allen Key
1	910-037	LPG Injector (Pilot Orifice)
1	918-770	Instruction Sheet

Installation of the LPG Conversion Kit:

- 1) Shut off the gas supply.
- 2) a) Remove the Faceplate by lifting it off of the flush door
b) Remove the flush door (see page 37).
c) Remove the Colbalt Glass Crystals or Ceramic Stones. Also remove Stainless Steel Panels (if installed - see page 35).
d) Remove the 2 screws holding the Burner Assembly to the firebox base. Lift out the burner assembly. (See Diagrams 1 & 2)

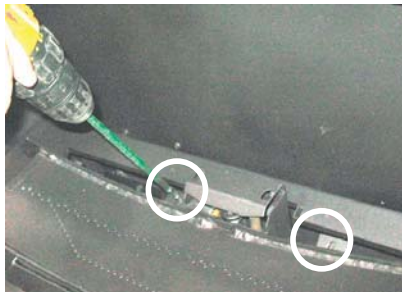


Diagram 1



Diagram 2

- 3) Remove the pebble retainer bar by lifting it out from the front of the firebox base (See Diagram 3).

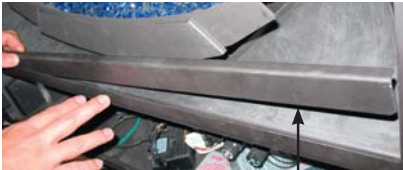


Diagram 3 Pebble Retainer Bar

- 4) With Burner Assembly removed, lift out firebox base. (See Diagram 4)



Diagram 4 Firebox base

- 5) Pull off the pilot cap to expose the pilot orifice. (Diagram 5)



Pilot Orifice Diagram 5 Pilot Cap

- 6) Unscrew the pilot orifice with the Allen key and replace with the LPG pilot orifice in the kit and replace pilot cap. (See Diagram 6)



Diagram 6

- 7) Remove burner orifice with a 1/2" wrench and discard. Use another wrench to hold on to the elbow below the orifice. (See Diagram 7)



Diagram 7 Burner Orifice

- 8) Reinstall new burner orifice LPG stamped #56 and tighten.

- 9) Turn control knob to the "OFF" position.
- 10) Remove the black protection cap by hand from the high-low knob (Fig.1).

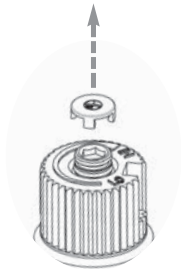


Fig. 1

- 11) Insert a 5/32" or 4mm Allen wrench into the hexagonal key-way of the screw (Fig. 2), rotate it counter-clockwise until it is free and extract it.

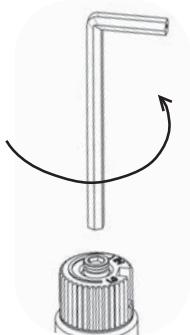


Fig. 2

- 12) Check that the screw is clean and if necessary remove dirt.
- 13) Flip the screw (Fig. 3).

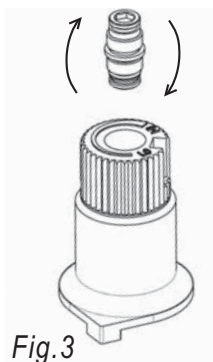


Fig. 3

- 14) Using the Allen wrench as shown in Fig.4, rotate the screw clockwise until snug, do not overtighten.

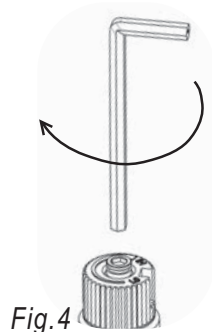


Fig. 4

WARNING!

**Do not overtighten the screw.
Recommended to grip
the wrench by the short side.**

- 15) Verify that if the conversion is from NG to LPG, the screw must be re-assembled with the red o-ring visible (Fig. 5).

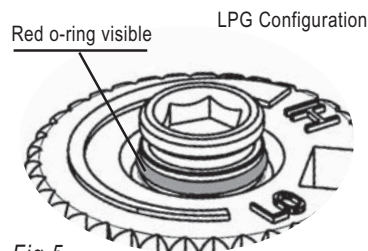


Fig. 5

- 16) Re-assemble the black protection cap (Fig. 6).

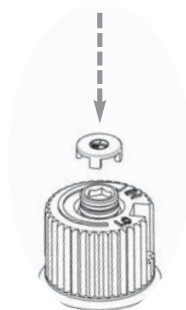


Fig. 6

WARNING!

**Also check that the pilot and
main burner injectors
are appropriate for the gas type.**

- 17) Attach the label "This unit has been converted to LPG" near or on top of the serial # decal.
- 18) Replace yellow "NG" label with red "LPG" label.
- 19) Check for gas leaks.
- 20) Check inlet and outlet pressures.
- 21) Check operation of flame control.
- 22) Check for proper flame appearance.
- 23) Reverse step 2.

INSTALLATION

DC SPARK BOX BATTERY REPLACEMENT

- 1) Remove the faceplate by lifting it up off the flush door.
- 2) Remove the battery cover from the DC Spark Box.
- 3) Remove the AA battery and replace with a new one.



Diagram 1

DC Spark Box



Diagram 2

- 4) Reinstall battery cover on DC Spark Box.
- 5) Reinstall faceplate (refer to steps 5 and 6 of the faceplate installation instructions).

DC SPARK BOX REPLACEMENT

- 1) Shut the power off.
- 2) Remove the faceplate by lifting it up off flush door.
- 3) Remove the screw securing the control assembly plate to the left side of fire box (Diagram 1).



Diagram 4

Wire Locations

- 4) Disconnect the 2 DC spark generator wires from the DC Spark box from location shown in Diagram 4.
- 5) Remove the 2 Phillips screws securing DC Spark Box to control panel assembly. (Diagram 5)

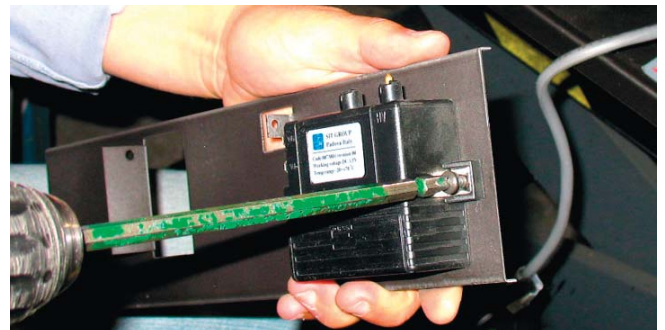


Diagram 5

- 6) Replace DC Spark Box and reverse steps.

Optional WALL THERMOSTAT

A wall thermostat may be installed if desired, connect the wires as per the wiring diagram. Use table below to determine the maximum wire length.

Note: Preferable if the thermostat is installed on an interior wall.

Regency® offers an optional programmable thermostat but any 250-750 millivolt rated non-anticipator type thermostat that is CSA, ULC or UL approved may be used.

CAUTION
Do not wire millivolt wall thermostat wires to 120V wire.

Thermostat Wire Table

Recommended Maximum Lead Length (Two-Wire) When Using Wall Thermostat (CP-2 System)	
Wire Size	Max. Length
14 GA.	50 Ft.
16 GA.	32 Ft.
18 GA.	20 Ft.
20 GA.	12 Ft.
22 GA.	9 Ft.

Optional REMOTE CONTROL

Use the Regency® Remote Control Kit approved for this unit. Use of other systems may void your warranty.

The remote control kit comes with a hand held transmitter, a receiver and a wall mounting plate.

- 1) Choose a convenient location on the wall to install the receiver and the receptacle box (protection from extreme heat is very important). Run wires from the fireplace to that location. Use Thermostat Wire Table.
- 2) Connect the two wires to the gas valve. See diagram below.

CAUTION
Do not wire millivolt remote control wires to 120V wire.

- 3) Install 3 AAA alkaline batteries in transmitter and 4 AA alkaline batteries in the receiver. Install the receiver and its cover in the wall. Switch the remote receiver to "remote" mode. The remote control is now ready for operation.

WALL SWITCH

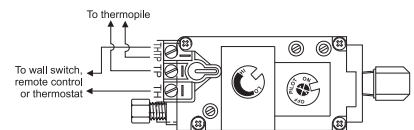
- 1) Run the supplied wire through the right or left side gas inlet opening. Be careful not to damage wire.

Note: We recommend a maximum of 15' of wire but if you wish to go with a longer run, use the Thermostat Wire Table.

- 2) Connect the wire to the wall switch and install into the receptacle box. Also attach wires to the valve as shown below.

CAUTION

Do not wire millivolt wall switch wire to 120V wire.



GT REMOTE FEATURES

Feature	Icon	Proflame GT
Room Temperature Display		X
Child Lock		X
Low Battery		X
On/Off Thermostat		X
Flame On/Off Only		X
Flame ON/Off & Modulation (5 Levels)		
Smart Thermostat		
Fan Speed Control (5 Levels)		
On/Off Auxiliary Outlet (110V)		
Constant (110V) Outlet		

(X) Indicates Included Feature



Note: Regency Proflame systems include a white and black wall cover & switch.

INSTALLATION

AERATION ADJUSTMENT

The burner aeration is factory set but may need adjusting due to either the local gas supply or altitude. Open the air shutter for a blue flame or close for a more yellow flame.

Minimum Air Shutter Opening:

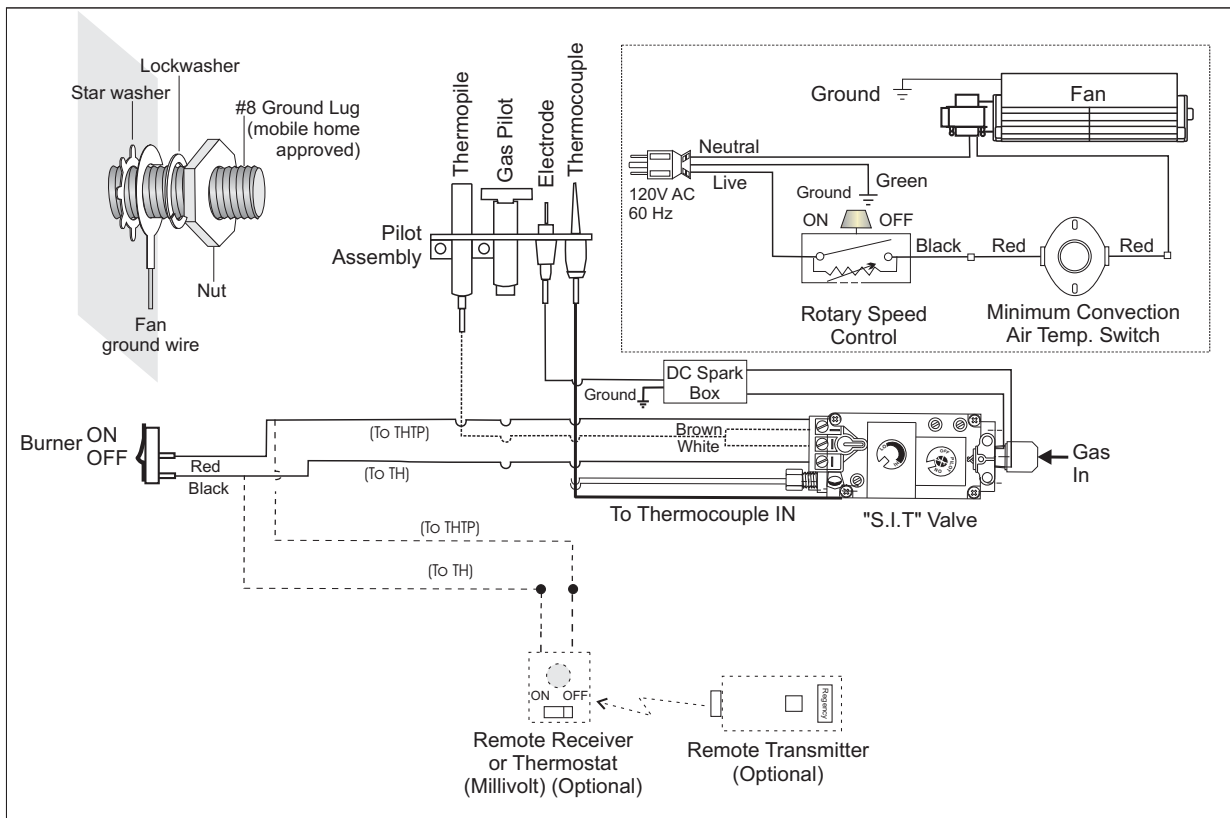
NG	1/16"
LP	1/4"

CAUTION: Carbon will be produced if air shutter is tightly closed.

Note: Any damage due to carboning resulting from improperly setting the aeration controls is NOT covered under warranty.

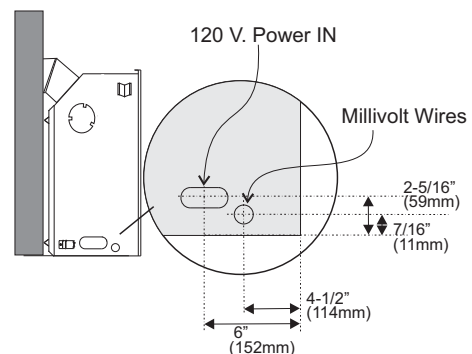
WIRING DIAGRAM

Caution: Ensure that the wires do not touch any hot surfaces and are away from sharp edges.



CAUTION: Label all wires prior to disconnection when servicing controls. Wiring errors can cause improper and dangerous operation.

Openings for electrical connections



GT REMOTE WIRING DIAGRAM

IMPORTANT INSTALLATION NOTE:

The SIT Proflame GT REMOTE Receiver must be placed inside the supplied (Low Voltage) junction type wall box and installed into the wall only.

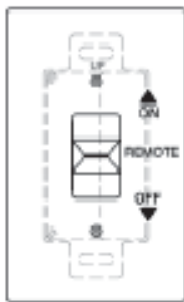
DO NOT INSTALL WITHIN THE CONFINES OF THE FIREPLACE.

Wall Mounting

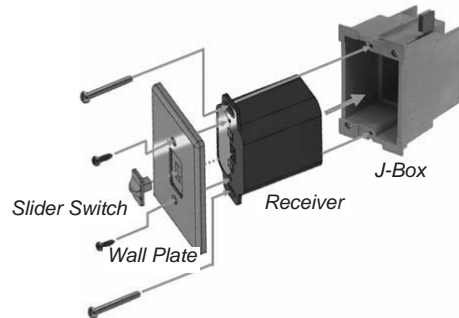
1. Add two male spade connectors to the end of the 10 foot 2-wire harness (Black & Red) installed with P33S.
2. Install the J-Box to the framing, at desired location within 10ft from fireplace.
3. Feed the 2ft wire harness through the opening at back of J-Box, Connect the black & red wires to the two wires from the (2 foot) SIT Proflame GTMF wire harness, (TH green) & (TP/TH White) other wires will not be used.
4. Connect the wiring harness to the back of the receiver.
5. Install the Receiver in the Low Voltage Junction box, supplied with P33S.
6. Insert the 4 AA type batteries in the battery compartment with the correct polarity.
7. Place the slider into the cover plate.
8. Put the Receiver switch in the "OFF" position, to allow correct lineup for slider switch.
9. Make sure the Receiver and cover plate words "ON" and "UP" are on the same side.
10. Align the slider with the switch on the Receiver and couple the switch into the slider.
11. Align the screw holes.
12. Using the two (2) screws provided secure the cover plate to the Receiver.



Low Voltage Junction Box



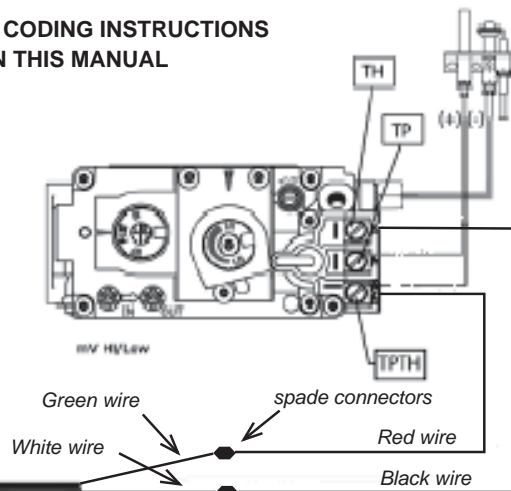
Receiver Wall Mount



REFER TO CODING INSTRUCTIONS
IN THIS MANUAL

Receiver 12 Pin Connector
for mV GT System
TH/TP/TH Connections Only

Extra wires
not used



INSTALLATION

INSTALLING THE OPTIONAL FAN

120 Volt AC power is needed for the fan switch and blower. The fan can be hard wired if desired. The grounded duplex receptacle should be installed into the supplied receptacle box by a qualified electrician. The neutral (wider) slot of the polarized receptacle should be at the top.

Unit must be grounded at all times. Do not cut the ground terminal off under any circumstances.

- 1) Shut the power off.
- 2) Remove the faceplate and *and lift out* standard flush door
- 3) Turn the fan base on its side (with the base facing towards you) and then slide the fan in towards the rear of the unit. Turn the fan upright and slip it over the two mounting

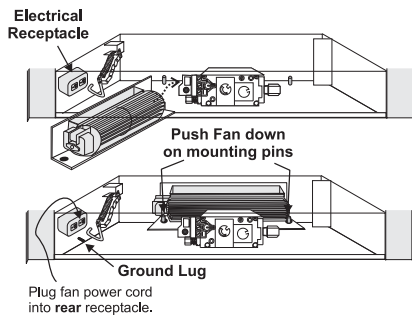


Diagram 1

studs. Take care not to damage the insulation on the fan base. **Ensure that the fan blades do not rub against the valve tubing.** Diagram 1.

- 4) Connect fan ground cable to ground lug. Refer to wiring diagram.
- 5) Slide the thermdisc/cover assembly into the bracket clip on the underside of the firebox. Check that no wire will touch the hot surfaces. Diagram 2.

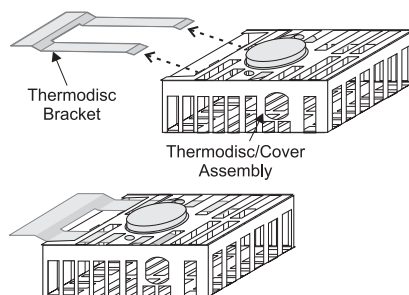


Diagram 2

- 6) Attach the fan control box to the Control Plate. (Diagram 3 & 4)

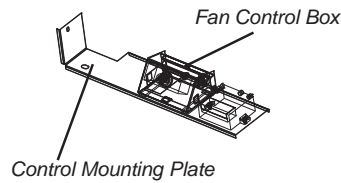


Diagram 3



Diagram 4

- 7) Position the control plate assembly on the left hand side of the firebox. Diagram 5



Diagram 5

- 8) Secure the control plate assembly with 1 screw as shown in Diagram 6.



Diagram 6



Diagram 7

- 9) Secure the fan wires and power cord by attaching one of the adhesive backed wire holder clips (Part #910-199) onto the Fireplace base. Use the second clip to bundle up the wires approximately 4" from the control box. Ensure that there is no interference with the wires when the faceplate and trim are installed and that no wire will touch the hot metal surfaces or sharp edges.
- 10) Plug the fan power cord into the rear end of the receptacle box to provide the maximum clearance.

TO REMOVE THE FAN

- 1) Shut the power off.
- 2) Reverse the above instructions.

Note: The bearings are lubricated for life. Do not lubricate them. Make sure you vacuum the fan area on a regular basis.

IMPORTANT:

These fans collect a lot of dust from within your home. Ensure you maintain these fan motors on a regular basis by vacuuming out the fan blades and housing using a soft brush nozzle.

OPTIONAL REFLECTIVE PANEL INSTALLATION

Before installation, panels must be handled and cleaned as per instructions noted below:

Stainless Steel Panels	Black Enamel Panels
<ul style="list-style-type: none"> Stainless panels must be inspected for scratches and dimples prior to installation. All claims to be recorded at this time. Claims for damage after installation will not receive consideration. 	<ul style="list-style-type: none"> Black Enamel panels must be inspected for scratches and dimples prior to installation. All claims to be recorded at this time. Claims for damage after installation will not receive consideration.
<ul style="list-style-type: none"> To protect the finish during installation and handling - cotton gloves MUST be worn at all times while handling the panels (even when removing protective coating). 	
<ul style="list-style-type: none"> Use a hair dryer to remove the protective coating from the panels. 	
<ul style="list-style-type: none"> Stainless panels will discolor a little during normal operation. This is normal and should not be considered a defect. 	<ul style="list-style-type: none"> Black Enamel panels will discolor a little during normal operation. This is normal and should not be considered a defect.
<p>* All hand and finger marks MUST be cleaned off with a soft cloth and a stainless steel cleaner. Most stainless steel cleaners leave a film/residue on the surface of the panels. Use an ammonia based cleaner (ie. glass cleaner) to remove this film before applying heat to the unit. Failure to do this will result in burn stains on panels which you will be unable to remove. Not protected by product warranty.</p>	<p>* All hand and finger marks MUST be cleaned off with a soft cloth. Use an ammonia based cleaner (ie. glass cleaner) to remove any fingerprints before applying heat to the unit. Failure to do this will result in burn stain on panels which you will be unable to remove. Not protected by product warranty.</p>

1) If already installed, remove the burner assembly and firebox base (See installation manual for instructions).

2) Remove 4 screws prior to top panel installation.



Diagram 1

3) Place the top panel in first, secure with 4 screws. (See Diagram 1 for screw locations)



Diagram 2

4) With the top panel in place - install back panel. The back panel fits under the top panel, push the top panel up to fit back panel into position. (Diagrams 3)



Back Panel

Diagram 3

5) The side panels are installed last, slide in as shown in Diagram 6. **Note:** The bend in the metal on the side panels should face outward (toward inside of firebox - see Diagram 5). If the side panels have been installed incorrectly the firebox base will not fit.



Diagram 5



Diagram 6

6) Reinstall the firebox base and burner assembly.

Completed Panel Installation



INSTALLATION

GLASS CRYSTAL INSTALLATION ON BURNER

Spread the supplied Glass Crystals (or optional Ceramic Spa Stones) evenly over the burner. Ensure the crystals (stones) do not overlap too much as this will effect the flame pattern.

NOTE: When installing, use either the supplied Glass Crystals or optional Ceramic Spa Stones - DO NOT combine the two. Only the supplied approved Cobalt Blue Glass or optional Ceramic Spa Stones (50 pieces recommended) are to be used with this fireplace. Use of any other type of glass crystals or stones can alter the unit's performance, any damage caused by the use of any unapproved glass or stones will not be covered under warranty.

NOTE: When using Ceramic Stones, DO NOT cover burner ports that lead to pilot flame.



Glass Crystals shown on Burner



Optional Ceramic Stones shown on Burner

Cobalt Glass Crystals/Ceramic Spa Stones Quantity		
	Cobalt Crystals	Ceramic Spa Stones
P33S	1 bag	70*
E33S	1 bag	70
L676S	1 bag	70

*Recommended - use only 50 of the 70 ceramic stone on the **P33S** burner.

OPTIONAL PEBBLE INSTALLATION ON FIREBOX BASE



White River Pebbles shown surrounding the Burner

There are 2 optional pebble packages to choose from:

- 1) White River Pebbles
- 2) Natural River Pebbles

Spread the pebbles evenly on the exposed base of the firebox. Pebbles are **NOT** to be placed anywhere on the burner or over top of the Cobalt Blue Glass Crystals or optional Ceramic Spa Stones.

NOTE:

- * Only the supplied and approved pebbles are to be used.
- * Use of any other type of pebbles or material can create a danger and will void warranty.

STANDARD FLUSH DOOR INSTALLATION

The standard flush door comes with a black frame. To install the frame and glass door, simply hook the top door flange onto the top of the unit and swing the door towards the unit, diagram 1. Be careful that the glass gasket does not roll up; there must be a gap between the gasket and the door lip to ensure that the door sits securely on the unit. See Diagram 2.

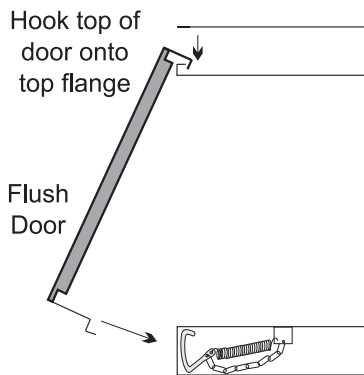
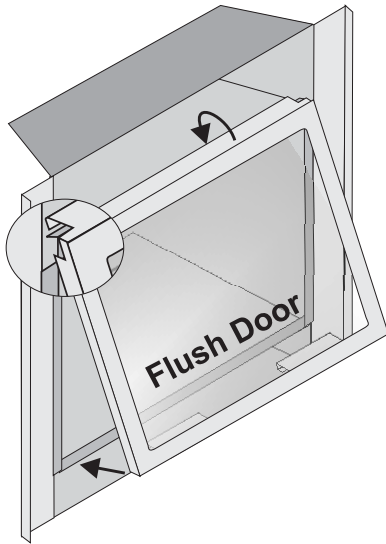


Diagram 1

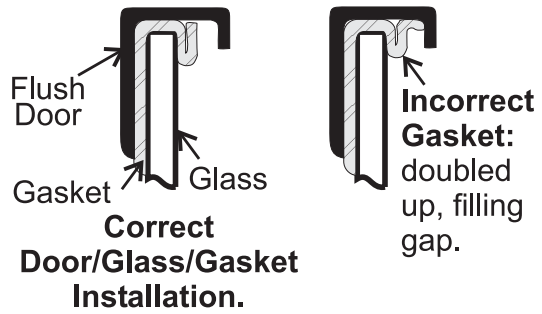


Diagram 2

Use the hook to pull the spring out until you can put the hook into the slot on the bottom door bracket. Repeat for 2nd spring. See diagram 3. To remove the flush door, reverse the above steps.

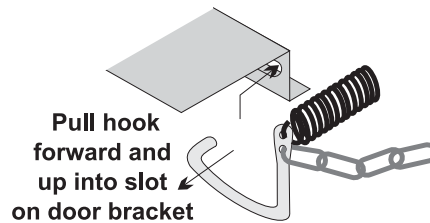


Diagram 3

OPERATING INSTRUCTIONS

FACEPLATE INSTALLATION

P33S Faceplate	
434-033	Mounting Plate
434-514	Faceplate Support
434-032	Control Shield
434-018F	Heat Deflector
434-516	Faceplate - Black
434-516BL	Faceplate - Blue
434-516R	Faceplate - Red
434-517	Faceplate - Stainless Steel

- 1) Install the control shield with 2 #8 - 1/2" Phillips screws to the bottom of the flush door as shown in Diagram 1.

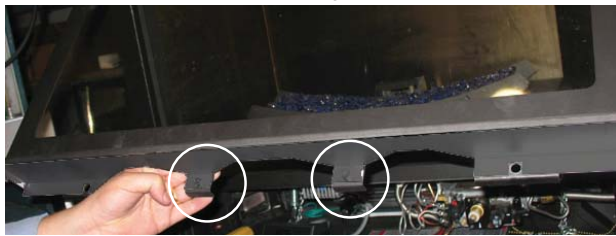
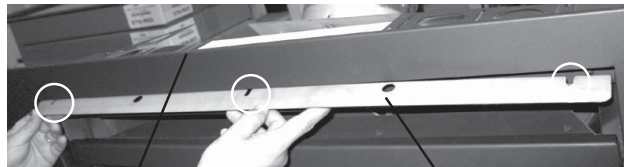


Diagram 1

- 2) Install the heat deflector on the fire box as shown in Diagrams 2 & 3. Loosen 3 Phillips head screws already in firebox, slide heat deflector on to screws and retighten.



Top of Firebox

Diagram 2

Heat Deflector

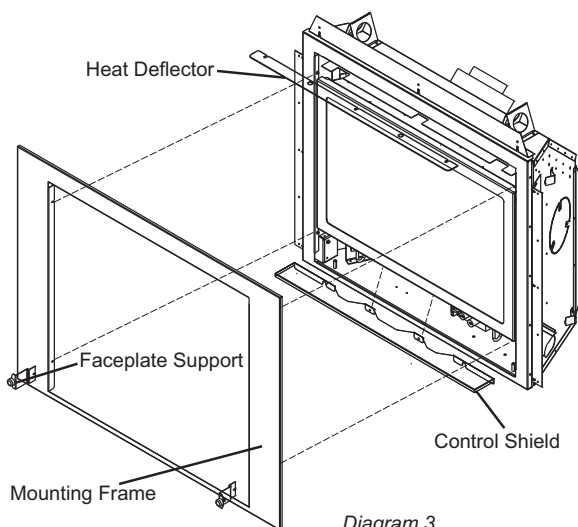


Diagram 3

- 3) Loosen 4 phillips head screws located inside firebox, for screw locations see Diagram 4. Install mounting frame and retighten screws.



Diagram 4

- 4) After the frame has been installed, locate the 2 phillips head screws on lower part of the mounting frame- see Diagram 3 for location. Slide on the 2 faceplate supports and retighten the screws.

Important: Position of bracket must be as shown in Diagram 5, with bend away from fireplace.

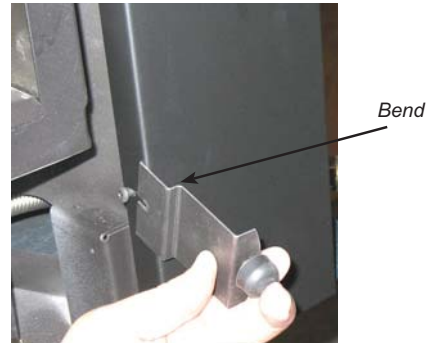


Diagram 5

- 5) The top of the faceplate has a flange that hooks over the top of the flush door.

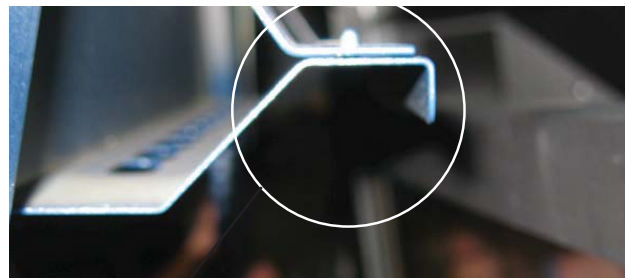


Diagram 6

OPERATING INSTRUCTIONS

- 6) Hook the flange on the faceplate over the top of the flush door and gently lower the faceplate into place until it rests against the faceplate supports as shown in Diagrams 7 & 8.



Diagram 7

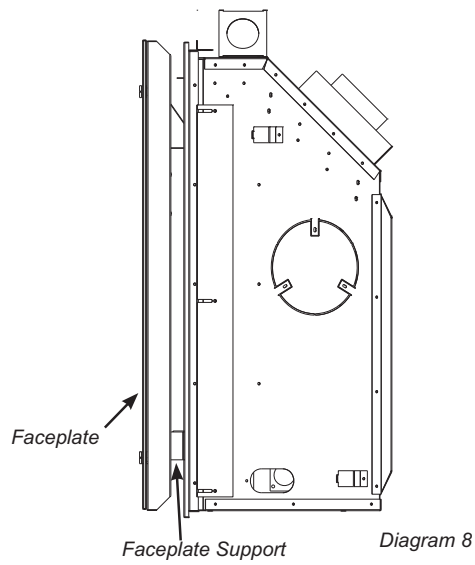


Diagram 8



Diagram 9

OPERATING INSTRUCTIONS

OPERATING INSTRUCTIONS

- 1) Read and understand these instructions before operating this appliance.
- 2) Check to see that all wiring is correct and enclosed to prevent possible shock.
- 3) Check to ensure there are no gas leaks.
- 4) Make sure the glass in the glass door frame is properly positioned. Never operate the appliance with the glass removed.
- 5) Verify that the venting and cap are unobstructed.
- 6) The unit should never be turned off, and on again without a minimum of a 60 second wait.

FIRST FIRE

The **FIRST FIRE** in your heater is part of the paint curing process. To ensure the paint is properly cured, it is recommended you burn your fireplace for at least four (4) hours the first time.

When first operated, the unit will release an odour caused by the curing of the paint and the burning off of any oils remaining from manufacturing. Smoke detectors in the house may go off at this time. Open a few windows to ventilate the room for a couple of hours. The glass may require cleaning.

NOTE: When the glass is cold and the appliance is lit, it may cause condensation and fog the glass. This condensation is normal and will disappear in a few minutes as the glass heats up.

DO NOT ATTEMPT TO CLEAN THE GLASS WHILE IT IS STILL HOT!

DO NOT BURN THE UNIT WITHOUT THE GLASS DOOR IN PLACE.

During the first few fires, a white film may develop on the glass front as part of the curing process. The glass should be cleaned after the unit has cooled down or the film will bake on and become very difficult to remove. Use a non-abrasive cleaner and **DO NOT ATTEMPT TO CLEAN THE GLASS WHILE IT IS HOT.**

LIGHTING PROCEDURE

IMPORTANT

To ignite or reignite the pilot, you must first remove the glass door.

NOTE: The Gas ON/OFF knob cannot be turned from "ON", "PILOT" or "OFF" unless it is partially depressed.

- 1) Ensure the wall mounted switch or remote is in the "OFF" position.
- 2) Turn the gas control knob so the indicator points to the "OFF" position and wait 5 minutes for any gas in the combustion chamber to escape.
- 3) Turn the gas control knob counterclockwise so the indicator points to the "PILOT" position. Depress the gas control knob fully. Depress the igniter button until the pilot lights. After approximately one minute, release the gas control knob. The pilot flame should continue to burn.

Only when the pilot holds, without pressure being applied to the gas control knob, re-install the glass door to the unit. The unit **must not** be operated without the glass door in place.

If the pilot does not remain lit, repeat operation allowing a longer period before releasing gas control knob.

- 4) When the pilot stays lit, turn the gas control knob to the "ON" position.
- 5) Use the wall switch or remote control to turn the unit ON.

NOTE: When using the remote control refer to the remote manual.

NOTE: If there is no spark present at the pilot when depressed, the AA battery may be weak. Refer to "DC Spark Battery Replacement" section.

SHUTDOWN PROCEDURE

- 1) Turn the wall mounted switch or remote to the "OFF" position.
- 2) Press "OFF" on the remote control.
- 3) Turn the gas control knob to the "OFF" position to turn off the pilot.

NORMAL OPERATING SOUNDS OF GAS APPLIANCES

It is possible that you will hear some sounds from your gas appliance. This is perfectly normal due to the fact that there are various gauges and types of steel used within your appliance. Listed below are some examples. All are **normal operating sounds** and should not be considered as defects in your appliance.

Burner Tray:

The burner tray is positioned directly under the burner and is made of a different gauge material from the rest of the firebox and body. Therefore, the varying thicknesses of steel will expand and contract at slightly different rates which can cause "ticking" and "cracking" sounds. You should also be aware that as there are temperature changes within the unit these sounds will likely re-occur. Again, this is normal for steel fireboxes.

Pilot Flame:

While the pilot flame is on it can make a very slight "whisper" sound.

Gas Control Valve:

As the gas control valve turns ON and OFF, a dull clicking sound may be audible, this is normal operation of a gas regulator or valve.

Unit Body/Firebox:

Different types and thicknesses of steel will expand and contract at different rates resulting in some "cracking" and "ticking" sounds will be heard throughout the cycling process.

COPY OF LIGHTING PLATE INSTRUCTIONS

FOR YOUR SAFETY READ BEFORE LIGHTING

This appliance must be installed in accordance with local codes, if any; if none, follow the National Fuel Gas Code, ANSI Z223.1/NFPA 54, or Natural Gas and Propane Installation Codes, CSA B149.1. (Australia: AS5601-2004, New Zealand: NZS 5261)


WARNING: If you do not follow these instructions exactly, a fire or explosion may result causing property damage, personal injury or loss of life. Improper installation, adjustment, alteration, service or maintenance can cause injury or property damage. Refer to the owner's information manual provided with this appliance. For assistance or additional information consult a qualified installer, service agency or gas supplier.

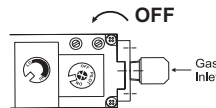
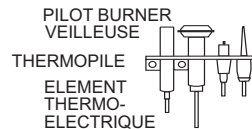
- A) This appliance has a pilot which must be lighted by hand. When lighting the pilot, follow these instructions exactly.
- B) BEFORE LIGHTING smell all around the appliance area for gas. Be sure to smell next to the floor because some gas is heavier than air and will settle on the floor.
 WHAT TO DO IF YOU SMELL GAS
 - Do not try to light any appliance.
 - Do not touch any electric switch, do not use any phone in your building.
 - Immediately call your gas supplier from a neighbour's phone. Follow the gas supplier's instructions.
 - If you cannot reach your gas supplier, call the fire department.
- C) Use only your hand to push in or turn the gas control knob. Never use tools. If the knob will not push in or turn by hand, don't try to repair it, call a qualified service technician. Forced or attempted repair may result in a fire or explosion.
- D) Do not use this appliance if any part has been under water. Immediately call a qualified service technician to inspect the appliance and to replace any part of the control system and any gas control which has been under water.
- E) This appliance needs fresh air for safe operation and must be installed so there are provisions for adequate combustion and ventilation air.


CAUTION: Hot while in operation. Do not touch. Severe Burns may result. Due to high surface temperatures keep children, clothing and furniture, gasoline and other liquids having flammable vapors away. Keep burner and control compartment clean. See installation and operating instructions accompanying appliance.

LIGHTING INSTRUCTIONS


STOP! Read the safety information above on this label.

- 1) Push in gas control knob slightly and turn clockwise  to "OFF". Knob cannot be turned from "PILOT" to "OFF" unless knob is pushed in slightly. Do not force.



- 2) Wait five (5) minutes to clear out any gas. If you then smell gas STOP! Follow step "B" in the Safety Information above on this label. If you don't smell gas, go to the next step.
- 3) Turn knob on gas control counterclockwise  to "PILOT".
- 4) Push in control knob all the way and hold in until the pilot lights up. Continue to hold the control knob in for about 20 seconds after the pilot is lit. Release knob and it will pop back up. Pilot should remain lit. If it goes out, repeat steps 1) to 4). If knob does not pop up when released, stop and immediately call your service technician or gas supplier. If the pilot will not stay lit after several tries, turn the gas control knob to "OFF" and call your service technician or gas supplier.
- 5) Turn gas control knob counterclockwise to "ON".
- 6) Turn the unit on.

TO TURN OFF GAS APPLIANCE

- 1) Turn off the unit.
- 2) Push in the gas control knob slightly and turn clockwise  to "OFF". Do not force.
- 3) Turn off all electric power to the appliance if service is to be performed.
 You may shut off the pilot during prolonged non use periods to conserve fuel.

DO NOT REMOVE THIS INSTRUCTION PLATE

918-583

MAINTENANCE

MAINTENANCE INSTRUCTIONS

- 1) Always turn off the gas valve before cleaning. For relighting, refer to lighting instructions. Keep the burner and control compartment clean by brushing and vacuuming at least once a year.
- 2) Clean appliance and door with a damp cloth (never when unit is hot). Never use an abrasive cleaner. The glass should be cleaned with a gas fireplace glass cleaner. **The glass should be cleaned when it starts looking cloudy.**
- 3) The faceplate is finished in a heat resistant paint and should only be refinished with heat resistant paint. Regency® uses StoveBright Paint - Metallic Black #6309.
- 4) Make a periodic check of burner for proper position and condition. Visually check the flame of the burner periodically, making sure the flames are steady; not lifting or floating. If there is a problem, call a qualified service person.
- 5) The appliance and venting system must be inspected before use, and at least annually, by a qualified field service person, to ensure that the flow of combustion and ventilation air is not obstructed.

Note: Never operate the appliance without the glass properly secured in place.

- 6) Do not use this appliance if any part has been under water. Immediately call a qualified service technician to inspect the appliance and to replace any part of the control system and any gas control which has been under water.
- 7) In the event this appliance has been serviced check that the vent-air system has been properly resealed & reinstalled in accordance with the manufacturer's instructions.
- 8) Verify operation after servicing.

GENERAL VENT MAINTENANCE

Conduct an inspection of the venting system semi-annually. Recommended areas to inspect as follows:

- 1) Check the Venting System for corrosion in areas that are exposed to the elements. These will appear as rust spots or streaks, and in extreme cases, holes. These components should be replaced immediately.
- 2) Remove the Cap, and shine a flashlight down the Vent. Remove any bird nests, or other foreign material.
- 3) Check for evidences of excessive condensation, such as water droplets forming in the inner liner, and subsequently dripping out the joints. Continuous condensation can cause corrosion of caps, pipe, and fittings. It may be caused by having excessive lateral runs, too many elbows, and exterior portions of the system being exposed to cold weather.
- 4) Inspect joints, to verify that no pipe sections or fittings have been disturbed, and consequently loosened. Also check mechanical supports such as Wall Straps, or plumbers' tape for rigidity.

THERMOPILE / THERMOCOUPLE

- 1) Shut the power off.
- 2) Remove the Faceplate by lifting up off flush door.
- 3) Remove the control assembly plate.
- 4) Remove the standard flush door.
- 5) Remove the Cobalt Glass Crystals or Ceramic Stones.
- 6) Remove the 2 screws holding the pilot cover.
- 7) Loosen the thermocouple or thermopile with a 7/16" wrench.
- 8) Disconnect thermocouple by loosening nut from the valve with 9mm wrench. Disconnect thermopile by loosening 2 screws marked TP on the valve.
- 9) Drop the thermocouple or thermopile down from the bracket and pull it out of the unit.
- 10) Reinstall the new ones in reverse order.

GLASS GASKET

If the glass gasket requires replacement use a tadpole glass gasket (Part # 936-155).

GLASS DOOR

Your Regency® fireplace is supplied with high temperature 5mm-Ceramic glass. If your glass requires cleaning, we recommend using an approved glass cleaner available at all authorized dealers. Do not use abrasive materials.

CAUTION & WARNINGS:

- * Do not clean when the glass is hot.
- * The use of substitute glass will void all product warranties.
- * Care must be taken to avoid breakage of the glass.
- * Do not strike or abuse the glass.
- * Do not operate this fireplace without the glass front or with a cracked or broken glass front.
- * Wear gloves when removing damaged or broken glass.
- * Replacement of the glass panel(s) should be done by a licensed or qualified service person.

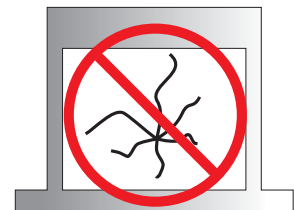
GLASS REPLACEMENT

In the event that you break your glass by impact, purchase your replacement from an authorized Regency® dealer only.

Replacement glass is shipped already installed into the door frame.

CAUTION: Wear gloves when removing damaged or broken glass.

WARNING: Do not operate the appliance with the glass panels removed, cracked or broken. Replacement of the glass panels should be done by a licensed or qualified service person.



VALVE TRAY REPLACEMENT

REMOVING VALVE

- 1) **Shut off the gas supply.**
- 2) Remove the faceplate.
- 3) Open the flush door and remove the door.
- 4) Remove the burner assembly by removing the two Phillips head screws and then lift the burner assembly out. (See Diagram 1)



Diagram 1: Remove the 2 screws and then lift out the burner assembly.

- 5) Remove the retainer bar. (Diagram 2)



Diagram 2

- 6) Remove the fire box base. (Diagram 3)



Diagram 3

- 7) Disconnect the inlet gas line.
- 8) Disconnect the 2 TP wires and the 2 TH wires from the valve (Refer to wiring diagram on page 33).
- 9) Remove the 10 Phillips head screws securing the valve tray assembly in place (Diagram 4) and then lift the entire assembly out (Diagram 5).

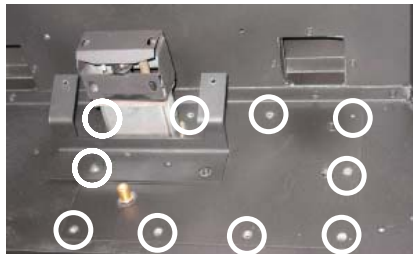


Diagram 4



Diagram 5: Lift out Valve Tray Assembly

- 10) Undo the pilot tube from the valve with a 7/16" wrench.
- 11) Undo the quick drop out thermocouple nut on the valve with a 9mm (metric) wrench.
- 12) Disconnect the 2 DC Spark generator wires from the DC spark box located in front of the valve.
- 13) Undo the "gas out" flare nut with a 13/16" wrench.
- 14) Undo the "gas out" flare fitting with an 11/16" wrench.

INSTALLING VALVE

- 1) Install new Valve Tray Assembly. (Diagram 6)
- 2) Reinstall 10 hold down screws (see Diagram 4 for locations).
- 3) Install Burner assembly. See Step 4 in Removing Valve for screw locations.
- 4) Reinstall firebox base.

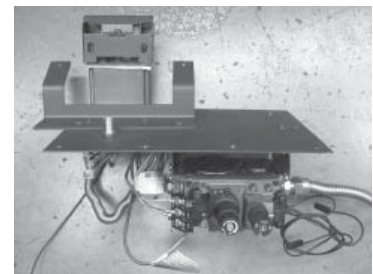


Diagram 6

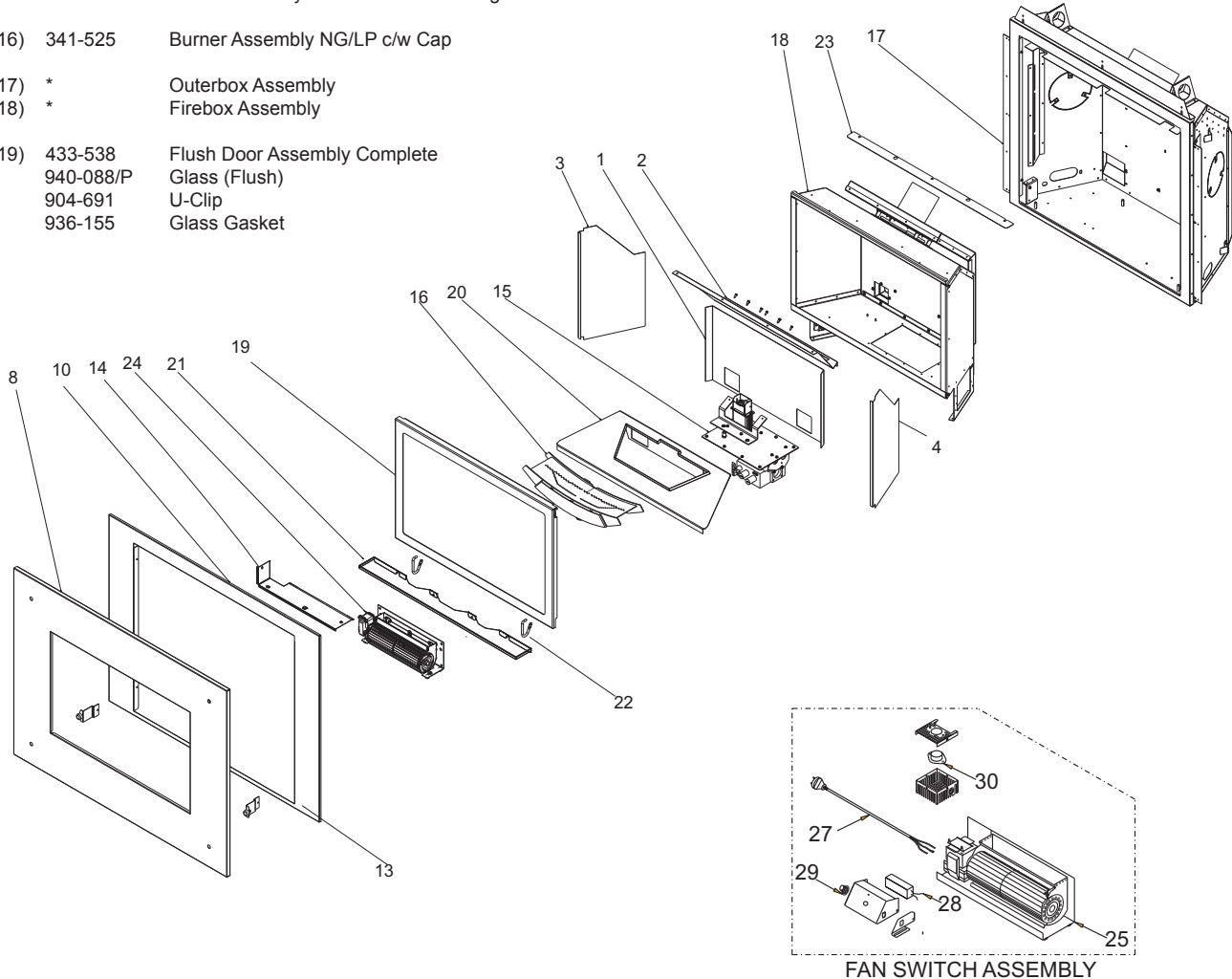
- 5) Hook up the gas line and check for gas leaks with a soap and water solution or a gas leak detector. (Do not use open flame for leak testing.)
- 6) Fire up the unit temporarily.
- 7) Check the manifold pressure.
- 8) Reinstall the Glass Crystals / Ceramic Stones, and Pebbles as needed.
- 9) Reinstall the flush door.
- 10) Fire up the unit again and check for proper flame appearance.
- 11) Reinstall the faceplate.

PARTS LIST

MAIN ASSEMBLY

Part #	Description	Part #	Description
434-907	Reflective Panel Stainless Steel (Optional)	20)	434-011 Fire box base
434-908	Reflective Panel Black Enamel (Optional)	21)	434-032 Control Shield
1) *	Panel Rear P33S (SS / Black Enamel)	22)	948-247 Door Handle
2) *	Panel Top P33S (SS / Black Enamel)	23)	434-018F Heat Deflector
3) *	Panel Side Left P33S (SS / Black Enamel)	24)	432-917 Fan Assembly
4) *	Panel Side Right P33S (SS / Black Enamel)	25)	910-331/P Fan Motor (120 Volts)
8)	434-913 Faceplate Assembly Complete Painted Blue		432-966 Fan Switch Assy (120 Volts)
	434-914 Faceplate Assembly Complete Black	27)	910-813 Power Cord (120 Volts)
	434-915 Faceplate Assembly Complete Painted Red	28)	910-330 Fan Speed Control
	434-916 Faceplate Assembly Complete Sunset Bronze	29)	904-586 Knob - Speed Control
	434-917 Faceplate Assembly Complete Stainless Steel	30)	910-142 Thermodisc - Fan Auto ON/OFF
10)	434-023 Mounting Plate	31)	918-757 Manual
13)	434-514 Faceplate Support Bracket Assembly - Set		
	909-924 Bumper Rubber W/Machine Screw 8-32 x 3/8"		
	904-925 Cap Assy Brushed Stainless 3/4" diameter.		
14)	434-033 Control Mounting Plate		
15)	434-574/P Valve Assembly P33S-NG4 SIT Packaged		
	434-576/P Valve Assembly P33S-LP4 SIT Packaged		
16)	341-525 Burner Assembly NG/LP c/w Cap		
17)	* Outerbox Assembly		
18)	* Firebox Assembly		
19)	433-538 Flush Door Assembly Complete		
	940-088/P Glass (Flush)		
	904-691 U-Clip		
	936-155 Glass Gasket		

* Not available as a replacement part.





Regency® Fireplace Products are designed with reliability and simplicity in mind. In addition, our internal Quality Assurance Team carefully inspects each unit thoroughly before it leaves our facility. FPI Fireplace Products International Ltd. is pleased to extend this limited lifetime warranty to the original purchaser of a Regency® Product. This warranty is not transferable.

The Warranty: Limited Lifetime

The combustion chamber, heat exchanger, burner tubes/pans, logs, glass crystals, ceramic spa stones, pebbles, brick panels and gold plating (against defective manufacture only) are covered under the Limited Lifetime Warranty for five (5) years for parts and subsidized labour* and parts only thereafter.

Glass is covered for lifetime against thermal breakage only, parts and subsidized labour* for five (5) years and parts only thereafter from date of purchase.

External casting, surrounds and grills are covered against cracks and warps resulting from manufacturer defects, parts and subsidized labour* for three (3) years from the date of purchase and parts only thereafter.

Special Finishes - One year on stainless steel panels, nickel overlays, nickel faceplates, brushed nickel and antique copper full screens and doors. You can expect some changes in color as the product "ages" with constant heating and cooling. FPI warranties the product for any manufacturing defects on the original product. However, the manufacturers warranty does not cover changing colors and marks, ie. finger prints, etc applied after the purchase of the product. Damage from the use of abrasive cleaners is not covered by warranty.

Electrical and mechanical components such as blowers, switches, wiring, thermodiscs, FPI remote controls, spill switches, thermopiles, thermocouples, pilot assembly components, and gas valves are covered for two years parts and one year subsidized labour* from the date of purchase. Blowers and valves replaced under warranty are considered repairs and continue as if new with appliance. ie. twelve (12) months from original purchase date of appliance with a minimum of three (3) months coverage from date of replacement.

FPI venting components are covered parts and subsidized labour* for three (3) years from date of purchase.

Simpson Dura-Vent venting components (Direct Vent units) are covered by Simpson Dura-Vent Inc. warranty.

Repair/replacement parts purchased by the consumer from FPI after the original coverage has expired on the unit will carry a 90 day warranty, valid with a receipt only. Any item shown to be defective will be repaired or replaced at our discretion. No labor coverage is included with these parts.

Conditions:

Any part or parts of this unit which in our judgement show evidence of such defects will be repaired or replaced at FPI's option, through an accredited distributor or agent provided that the defective part be returned to the distributor or agent **Transportation Prepaid**, if requested.

Porcelain/Enamel - Absolute perfection is either guaranteed nor commercially possible. Any chips must be reported and inspected by an authorized dealer within three days of installation. Reported damage after this time will be subject to rejection.

It is the general practice of FPI to charge for larger, higher priced replacement parts and issue credit once the replaced component has been returned to FPI and evaluated for manufacturer defect.

The authorized selling dealer is responsible for all in-field service work carried out on your Regency® product. FPI will not be liable for results or costs of workmanship from unauthorized service persons or dealers.

At all times FPI reserves the right to inspect product in the field which is claimed to be defective.

All claims must be submitted to FPI by authorized selling dealers. It is essential that all submitted claims provide all of the necessary information including customer name, purchase date, serial #, type of unit, problem, and part or parts requested, without this information the warranty will be invalid.

Exclusions:

This limited Lifetime Warranty does not extend to or include paint, door or glass gasketing or trim.

At no time will FPI be liable for any consequential damages which exceed the purchase price of the unit. FPI has no obligation to enhance or modify any unit once manufactured. ie. as products evolve, field modifications or upgrades will not be performed.

FPI will not be liable for travel costs for service work.

Installation and environmental problems are not the responsibility of the manufacturer and therefore are not covered under the terms of this warranty policy.

Embers, rockwool, gaskets, door handles and paint are not covered under the terms of this warranty policy.

Any unit which shows signs of neglect or misuse is not covered under the terms of this warranty policy.

The warranty will not extend to any part which has been tampered with or altered in any way, or in our judgment has been subject to misuse, improper installation, negligence or accident, spillage or downdrafts caused by environmental or geographical conditions, inadequate ventilation, excessive offsets, negative air pressure caused by mechanical systems such as furnaces, fans, clothes dryer, etc.

Freight damage to stoves and replacement parts is not covered by warranty and is subject to a claim against the freight carrier by the dealer.

FPI will not be liable for acts of God, or acts of terrorism, which cause malfunction of the appliance.

Performance problems due to operator error will not be covered by this warranty policy.

Products made or provided by other manufacturers and used in conjunction with the operation of this appliance without prior authorization from FPI, may nullify your warranty on this product.

Any alteration to the unit which causes sooting or carboning that results in damage to the interior / exterior faceplate is not the responsibility of FPI.

* Subsidy according to job scale as predetermined by FPI.

Regency® fireplaces are designed with reliability and simplicity in mind. In addition, our internal Quality Assurance Team carefully inspects each unit thoroughly before it leaves our door.

Regency Fireplace Products is pleased to extend this Limited Lifetime Warranty to the original purchaser of a Regency® Product.

See the inside back cover for details.

**Register your Regency® online at
<http://www.regency-fire.com>**

Installer: Please complete the following information

Dealer Name & Address: _____

Installer: _____

Phone #: _____

Date Installed: _____

Serial No.: _____