

City Series® Zero Clearance Direct Flue Gas Fireplace

Owners & Installation Manual



LISTINGS AND CODE APPROVALS

These gas appliances have been tested in accordance with AS/NZS 5263.0 & AS/NZS 5263.1.8 and have been certified by IAPMO for installation and operation as described in these Installation and Operating Instructions.

Must be installed as per AS/NZS5601.

Your unit should be serviced annually by an authorised service person.

www.regency-fire.com.au

STYLE

Left Corner
Right Corner

MODEL

ACC40LENG / ACC40LELP / ACC40LEULPG
ACC40RENG / ACC40RELP / ACC40REULPG

Warning

Fire or explosion Hazard

failure to follow safety warnings exactly could result in serious injury, death, or property damage.

PRIMARILY A DECORATIVE AND NOT A HEATING APPLIANCE.

DO NOT MODIFY THIS APPLIANCE.

- Do not store or use gasoline or other flammable vapors and liquids in the vicinity of this or any other appliance.

- WHAT TO DO IF YOU SMELL GAS

- Do not try to light any appliance.
- Do not touch any electrical switch: do not use any phone in your building. Leave the building immediately.
- Immediately call your gas supplier from a neighbour's phone. Follow the gas supplier's instructions.
- If you cannot reach your gas supplier, call the fire department.

- Installation and service must be performed by a qualified installer, service agency or the gas supplier.

Tested by:



Installer: Please complete the details on the back cover and leave this manual with the homeowner.
Homeowner: Please keep these instructions for future reference.

To the New Owner:

Congratulations!

You are the owner of a state-of-the-art Gas Fireplace by REGENCY®. The City Series are hand crafted appliances and have been designed to provide you with all the warmth and charm of a wood fireplace at the flick of a switch. The ACC40LE /ACC40RE City Series have been approved by IAPMO for both safety and efficiency. As it also bears our own mark, it promises to provide you with economy, comfort and security for many trouble free years to follow. Please take a moment now to acquaint yourself with these instructions and the many features of your Regency® Fireplace.

WARNING

DO NOT turn your fireplace on via any means or allow to be turned on unless you have conducted a thorough inspection of the area surrounding the fireplace immediately prior to its use, and you have satisfied yourself that there are no materials or other items in proximity to the fireplace which could present a fire risk.

DO NOT turn your fireplace on via any means or allow to be turned on if there are any unsupervised children, infirm or pets in the area surrounding the fireplace.

DO NOT use this fireplace, unless you have read this Manual, and strictly adhere to the user requirements and warnings set out in this Manual.

RELEASE

Without limiting any other acknowledgement, release or indemnity given by you, or limitation of liability, in favour of Fireplace Products Pty Ltd ("Company"), you irrevocably and unconditionally acknowledge and agree that failure to comply with, or strictly adhere to, the requirements and warnings set out in this Manual ("User Requirements") may result in:

1. damage to the fireplace;
2. damage to property;
3. a house fire;
4. severe burns or other personal injury; and/or
5. death.

Subject to any remedy, guarantee, term, condition, warranty, undertaking, inducement or representation, implied or imposed by any legislation which cannot lawfully be excluded or limited, and to the maximum extent permitted by law:

1. the Company will not be liable for any damage, personal injury or death arising out of or in connection with your failure to comply with any User Requirement; and
2. you release the Company from all claims, actions, proceedings, liabilities, losses and damages in relation to death, any personal injury or property damage arising out of or in connection with your failure to comply with any User Requirement.

table of contents

Owner's Information

Copy of Data Badge	5
Dimensions (Left Corner)	6
Dimensions (Right Corner)	7
Important Message	8
Before You Start.....	8
General Safety Information	9
Lighting Procedure	10
Shutdown Procedure	10
Copy of the Lighting Plate Instructions.....	11
Proflame II Remote Control Operating Instructions	12
Proflame II Battery Holder Battery Replacement.....	16
Inner Glass Panel Installation / Removal	17
Outer Safety Glass Panel Installation / Removal	19
Maintenance Instructions	21
General Flue Maintenance.....	21
Log Replacement	21
Glass Gasket	21
Glass.....	21

Installer's Information

Glass Replacement	21
Locating Your Gas Fireplace	22
Unit Assembly Prior to Installation	22
Installation Checklist.....	23
Nailing strips.....	24
Ventilation Openings.....	25
Chase Enclosure.....	26

Installation

Clearances.....	27
Mantel Clearances	29
Framing Dimensions (Left Corner)	30
Framing Dimensions (Right corner).....	31
Wall Board/Plasterboard Installation	32
Framing and Finishing Inset Installations	33
Optional Framing Kit Installation.....	34
Building Additional Framing Off of the Framing Kit	37
TV Recessed into Wall- Typical Installs.....	38
Maximum TV Recess.....	38
TV Flush with Hearth.....	38
Exterior Flue Termination Locations	39
Wall Mount On / Off Switch and Installation	41
Flue Restrictor Position	42
Horizontal Terminations	43
Venting Introduction.....	44
Flueing Arrangement for Horizontal Terminations.....	44
Horizontal Terminations	45
Horizontal Terminations	45
Vertical Terminations	47
Flueing Arrangement for Vertical Terminations.....	48
Vertical Terminations	49

Unit Installation with Horizontal Termination	50
Dura-vent Vertical Termination	52
Vertical Termination 102mm x 175mm Flueing - Vertical Flex Flue Kit	53
Vertical Flue Extension Kit.....	55
Ceiling Firestop / Firestop Spacer	55
System Data	56
High Elevation.....	56
Gas Line Installation	56
Pilot Adjustment.....	56
Gas Pipe Pressure Testing	56
885 S.I.T. Valve Description.....	56
Wiring Diagrams	57
Optional Fan Ducting Kit Installation	58
Fan Duct Extension Kit.....	60
Wiring Diagram	60
Inner Glass Panel I(Firebox Glass) Installation / Removal.....	61
Outer Safety Glass Panel (Barrier Glass) Installation / Removal.....	63
Propane/ULPG Conversion Instructions	65
Painted Panel Installation.....	67
Enamel Panel Installation.....	68
Burner and Firebox Media Options.....	70
Optional Driftwood Log Set Installation	71
Removable Plasterboard Guides.....	73

Operation

First Fire.....	74
Normal Operating Sounds of Gas Appliances	74
Aeration Adjustment.....	74

Maintenance

Bulb Replacement	75
Valve Replacement	76
Gas Appliance Maintenance.....	77

Parts

Main Assembly.....	78
--------------------	----

Warranty	84
-----------------------	-----------

This is a copy of the label that accompanies Direct Flue Gas Fireplace. We have printed a copy of the contents here for your review. The safety label is located on the front inside base of the unit, visible when the outer front panel is removed.

NOTE: Regency® units are constantly being improved. Check the label on the unit and if there is a difference, the label on the unit is the correct one.

Copy of Data Badge

Regency Gas Fireplace			
Gas Type	NG	Propane	ULPG
Model	<input type="radio"/> ACC40LENG <input type="radio"/> ACC40RENG	<input type="radio"/> ACC40LELP <input type="radio"/> ACC40RELP	<input type="radio"/> ACC40LEULPG <input type="radio"/> ACC40REULPG
Gas Consumption High	30 MJ/h	30 MJ/h	24 MJ/h
Gas Consumption Low	17.1 MJ/h	16.0 MJ/h	11.7 MJ/h
Supply Pressure (Min.)	1.13 kPa	2.75 kPa	2.75 kPa
Manifold Pressure High	0.96 kPa	2.60 kPa	2.60 kPa
Manifold Pressure Low	0.30 kPa	0.70 kPa	0.63 kPa
Injector Size	2.40 mm	1 x #53 1.51 mm	1 x #54 1.39 mm
Approval No. GMK10594 AS/NZS 5263.0 & AS/NZS 5263.1.8			
Electrical: 240V 50/60 Hz		PRIMARILY A DECORATIVE AND NOT A HEATING APPLIANCE	
<small>920-123g</small>		Distributed by: Western Australia: Air Group Australia 131 Bannister Rd Canning Vale WA 6155 Eastern Australia Fireplace Products Australia Pty. Ltd. 99 Colemans Road Dandenong South, Vic. Australia 3175 New Zealand Aber Holdings 17 Main Street Place Te Rapa, HA 3200 To be installed by an authorised person in accordance with installation instructions provided with the appliance.	
		Serial Number 528	



DO NOT OPERATE THIS APPLIANCE BEFORE READING THE INSTRUCTIONS BOOKLET.

DO NOT PLACE ARTICLES ON OR AGAINST THIS APPLIANCE

DO NOT STORE CHEMICALS OR FLAMMABLE MATERIALS NEAR THIS APPLIANCE.

DO NOT OPERATE WITH PANELS, COVERS OR GUARDS REMOVED FROM THIS APPLIANCE.

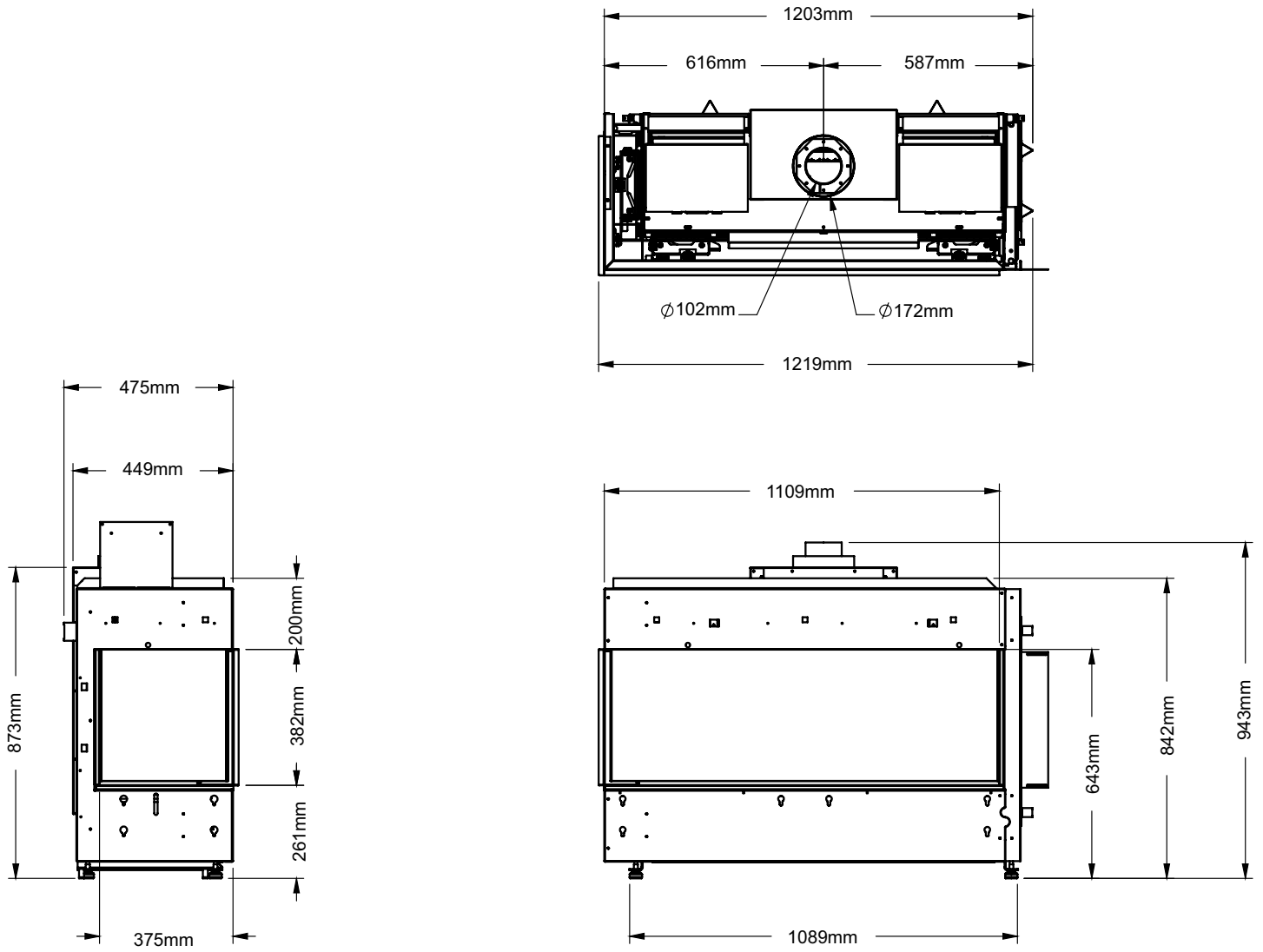
908-602c

THE GUARD IS FITTED TO THIS APPLIANCE TO REDUCE THE RISK OF FIRE OR INJURY FROM BURNS AND NO PART OF IT SHOULD BE PERMANENTLY REMOVED.

FOR PROTECTION OF YOUNG CHILDREN OR THE INFIRM, A SECONDARY GUARD IS REQUIRED.

dimensions

Dimensions (Left Corner)

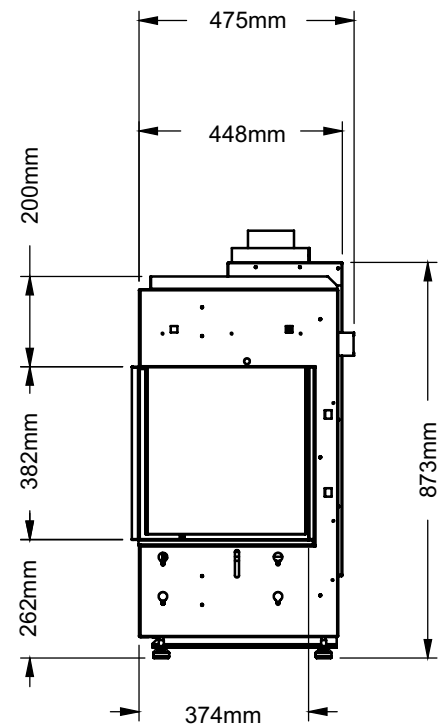
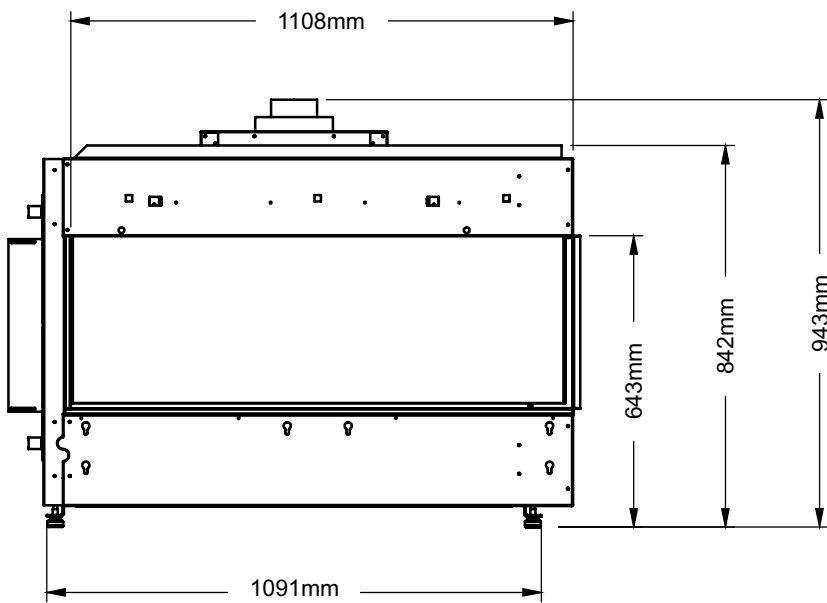
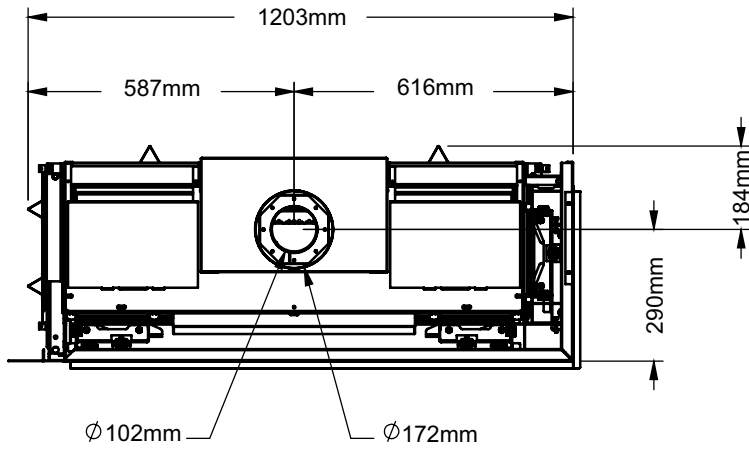


Note: Height dimension may vary depending on the height of the leveling legs.

Note: These units are non-load bearing.

ALL PICTURES / DIAGRAMS SHOWN THROUGHOUT THIS MANUAL ARE FOR ILLUSTRATION PURPOSES ONLY. ACTUAL PRODUCT MAY VARY DUE TO PRODUCT ENHANCEMENTS.

Dimensions (Right Corner)



Note: Height Dimension may vary depending on the height of the leveling legs.

Note: These units are non-load bearing.

owner's information

Important Message

SAVE THESE INSTRUCTIONS

City Series Direct Flue Fireplaces must be installed in accordance with these instructions. Carefully read all the instructions in this manual first. Consult the "authority having jurisdiction" to determine the need for a permit prior to starting the installation. It is the responsibility of the installer to ensure this fireplace is installed in compliance with manufacturer's instructions and all applicable codes.

Before You Start

Safe installation and operation of this appliance requires common sense, however, we are required by the Canadian Safety Standards and ANSI Standards to make you aware of the following:

INSTALLATION AND REPAIR SHOULD BE DONE BY AN AUTHORIZED SERVICE PERSON. THE APPLIANCE SHOULD BE INSPECTED BEFORE USE AND AT LEAST ANNUALLY BY A PROFESSIONAL SERVICE PERSON. MORE FREQUENT CLEANING MAY BE REQUIRED DUE TO EXCESSIVE LINT FROM CARPETING, BEDDING MATERIAL, ETC. IT IS IMPERATIVE THAT CONTROL COMPARTMENTS, BURNERS AND CIRCULATING AIR PASSAGEWAYS OF THE APPLIANCE BE KEPT CLEAN.

DUE TO HIGH TEMPERATURES, THE APPLIANCE SHOULD BE LOCATED OUT OF TRAFFIC AND AWAY FROM FURNITURE AND DRAPERIES.

WARNING: FAILURE TO INSTALL THIS APPLIANCE CORRECTLY WILL VOID YOUR WARRANTY AND MAY CAUSE A SERIOUS HOUSE FIRE.



CHILDREN AND ADULTS SHOULD BE ALERTED TO THE HAZARDS OF HIGH SURFACE TEMPERATURES, ESPECIALLY THE FIREPLACE GLASS, AND SHOULD STAY AWAY TO AVOID BURNS OR CLOTHING IGNITION.

YOUNG CHILDREN SHOULD BE CAREFULLY SUPERVISED WHEN THEY ARE IN THE SAME AREA AS THE APPLIANCE. TODDLERS, YOUNG CHILDREN AND OTHERS MAY BE SUSCEPTIBLE TO ACCIDENTAL CONTACT BURNS. A PHYSICAL BARRIERS IS RECOMMENDED IF THERE ARE AT RISK INDIVIDUAL IN THE HOUSE. TO RESTRICT ACCESS TO A FIREPLACE OR STOVE, INSTALL AN ADJUSTABLE SAFETY GATE TO KEEP TODDLERS, YOUNG CHILDREN AND OTHER AT RISK INDIVIDUALS OUT OF THE ROOM AND AWAY FROM HOT SURFACES.

CLOTHING OR OTHER FLAMMABLE MATERIAL SHOULD NOT BE PLACED ON OR NEAR THE APPLIANCE.

A BARRIER DESIGNED TO REDUCE THE RISK OF BURNS FROM THE HOT VIEWING GLASS IS PROVIDED WITH THIS APPLIANCE AND SHALL BE INSTALLED FOR THE PROTECTION OF CHILDREN AND OTHER AT-RISK INDIVIDUALS

ANY SAFETY SCREEN, GUARD, OR BARRIER REMOVED FOR SERVICING THE APPLIANCE, MUST BE REPLACED PRIOR TO OPERATING THE APPLIANCE.

IF THE BARRIER BECOMES DAMAGED, THE BARRIER SHALL BE REPLACED WITH THE MANUFACTURER'S BARRIER FOR THIS APPLIANCE.

WE RECOMMEND REMOVING THE GLASS WITH THE GLASS VACUUM HOLDERS SUPPLIED BY THE MANUFACTURER. LOWER THE GLASS TO REST IN A SAFE PLACE. THIS IS TO PREVENT DAMAGE TO THE GLASS EDGES. EXTRA CARE MUST BE TAKEN WHEN REMOVING/INSTALLING THE GLASS. BREAKAGE OR DAMAGE TO THE EDGE OF THE GLASS WHICH OCCURS AS A RESULT OF CARELESS HANDLING WILL NOT BE COVERED UNDER WARRANTY.

"THIS UNIT MUST ALWAYS TERMINATE / FLUE DIRECTLY TO THE OUTDOORS."

"DO NOT USE AN UNLINED MASONRY CHIMNEY AS THE FLUE FOR THIS APPLIANCE."

General Safety Information

1. The appliance installation must conform with local codes or, in the absence of local codes, with the current Installation and Building Codes.
2. The appliance when installed, must be electrically grounded in accordance with local codes.
3. See general construction and assembly instructions. The appliance and flue should be enclosed.
4. This appliance must be connected to the specified flue and termination cap to the outside of the building envelope. Never flue to another room or inside a building. Make sure that the flue is fitted as per Flueing instructions.
5. Inspect the flueing system annually for blockage and any signs of deterioration.
6. Flueing terminals shall not be recessed into a wall or siding.
7. Any safety glass removed for servicing must be replaced prior to operating the appliance.
8. To prevent injury, do not allow anyone who is unfamiliar with the operation to use the fireplace.
9. Wear gloves and safety glasses for protection while doing required maintenance.
10. Be aware of electrical wiring locations in walls and ceilings when cutting holes for termination.
11. Under no circumstances should this appliance be modified. Parts that have to be removed for servicing should be replaced prior to operating this appliance.
12. Installation and any repairs to this appliance should be done by an authorized service person. A professional service person should be called to inspect this appliance annually. Make it a practice to have all of your gas appliances checked annually.
13. Do not slam shut or strike the glass door.
14. Under no circumstances should any solid fuels (wood, paper, cardboard, coal, etc.) be used in this appliance.
15. The appliance area must be kept clear and free of combustible materials (gases and other flammable vapours and liquids).

owner's information

Lighting Procedure

IMPORTANT: The remote control system supplied with this appliance has several options for starting/operating the appliance using the battery holder and ON/OFF key on the hand held transmitter. Prior to operating this appliance, please read the remote control operating instructions (packaged with remote control) to understand how to operate this remote control system.

1. Ensure the battery holder switch is in the Remote position and / or wall mounted battery holder (if equipped) is in the <REMOTE> position.
2. Press and release the ON/OFF button on the remote handheld transmitter (see Diagram 1). An audible beep should be heard from the receiver. If not using the remote, the unit can also be turned on by sliding the battery holder switch to the <ON> position (if equipped).



Diagram 1
Remote shown in Manual Mode on Hi

3. After approximately 4 seconds the spark ignition system will spark for 60 seconds to light the pilot.
4. The unit will turn on.



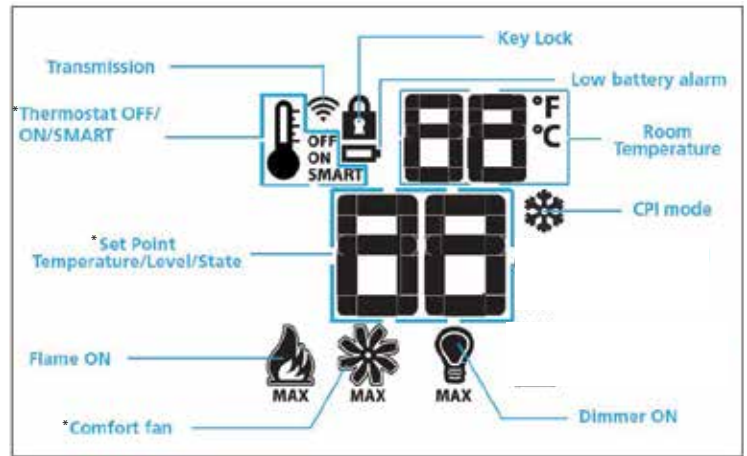
Note: The first try for ignition will last approximately 60 seconds. If there is no flame ignition (rectification) the board will stop sparking for approximately 35 seconds. After wait time, the board will start second try for ignition by sparking for approximately 60 seconds. If there is still no positive ignition the board will go into lock out.

The system will need to be reset as follows:

- a) Turn the system off by pressing the ON/OFF button on the remote.
- b) Wait 5 minutes then repeat from step 2.

Shutdown Procedure

1. Press the ON/OFF button on the remote
2. If service is to be performed, you must disconnect power and shut off gas to the unit.



* Not offered on all models.

Continuous Pilot/Intermittent Pilot (CPI/IPI) selection

See remote control instructions for details.

Copy of the Lighting Plate Instructions

FOR YOUR SAFETY READ BEFORE LIGHTING**SUITABLE ONLY FOR INDOOR INSTALLATION**

This appliance must be installed in accordance with local codes, if any. If none, follow the current AS/INZS 5601.

WARNING: If you do not follow these instructions exactly, a fire or explosion may result causing property damage, personal injury or loss of life. Improper installation, adjustment, alteration, service or maintenance can cause injury or property damage. Refer to the owner's information manual provided with this appliance. For assistance or additional information consult a qualified installer, service agency, or gas supplier.

A) BEFORE LIGHTING smell all around the appliance area for gas. Be sure to smell next to the floor because some gas is heavier than air and will settle on the floor.

WHAT TO DO IF YOU SMELL GAS

- Do not try to light any appliance
- Do not touch any electric switch, do not use any phone in your building
- Immediately call your gas supplier from a neighbors phone. Follow the gas supplier's instructions.
- If you cannot reach your gas supplier, call the fire department.

B) Do not use this appliance if any part has been under water. Immediately call a qualified service technician to inspect the appliance and to replace any part of the control system and any gas control which has been under water.

This appliance needs fresh air for safe operation and must be installed so there are provisions for adequate combustion and ventilation air.

CAUTION: Hot while in operation. Do not touch. Severe Burns may result. Due to high surface temperatures keep children, clothing and furniture, gasoline and other liquids having flammable vapors away. Keep burner and control compartment clean. See installation and operating instructions accompanying appliance.

LIGHTING INSTRUCTIONS

STOP! Read the safety information above on this label.

- 1) Ensure the Main switch is in the ON position and/or the wall mounted battery holder (if equipped) is in the <REMOTE> position.
- 2) Press and release the ON/OFF button on the remote handheld transmitter. An audible beep should be heard from the receiver. If not using the remote, the unit can also be turned on by sliding the battery holder switch to the <ON> position (if equipped).
- 3) After approximately 4 seconds the spark ignition system will spark for 60 seconds to light the main burner.
- 4) The unit will turn on.

Note: The first attempt to ignition will last approximately 60 seconds. If there is no flame ignition (rectification) the board will stop sparking for approximately 35 seconds. After this wait time, the board will start a second try for ignition by sparking for approximately 60 seconds. If there is still no positive ignition after the second attempt the board will go into lock out.

The system will need to be reset as follows (after going into lock out mode):

- a) Wait 5 minutes - turn the system off by pressing the ON/OFF button on the remote.
- b) After approximately 2 seconds, press the ON/OFF button again.
- c) Unit will repeat step 2.

TO TURN OFF GAS APPLIANCE

1. Press the ON/OFF button once.
2. Turn off all electric power to the unit if service is to be performed.

DO NOT REMOVE THIS INSTRUCTION PLATE

owner's information

Proflame II Remote Control Operating Instructions

IMPORTANT:The Proflame Transmitter 2 is an integrated part of the Proflame 2 System, which consists of these elements:

- Proflame 2 Transmitter, to be used in conjunction with:
- Integrated Fireplaces Control (Proflame 2 IFC)

The Proflame 2 Transmitter provides for controlling the following hearth appliance functions:

1. Main Burner On/Off
2. Main Burner flame modulation (6 levels)
3. Choice of standing or intermittent pilot (CPI/IPI)
4. Thermostat and Smart thermostat functions
5. Accent light modulation (6 levels)**
6. Split flow valve**
7. Comfort Fan speed modulation (6 levels)**

** This feature is not available on any City Line gas fireplaces.

The Proflame Transmitter uses a streamline design with a simple button layout and informative LCD display (Fig. 1). A Mode Key is provided to index between the features and a Thermostat Key is used to turn on/off or index through Thermostat functions (Fig. 1 & 2). Additionally, a Key Lock feature is provided (Fig. 22).



Figure 1: Proflame Transmitter

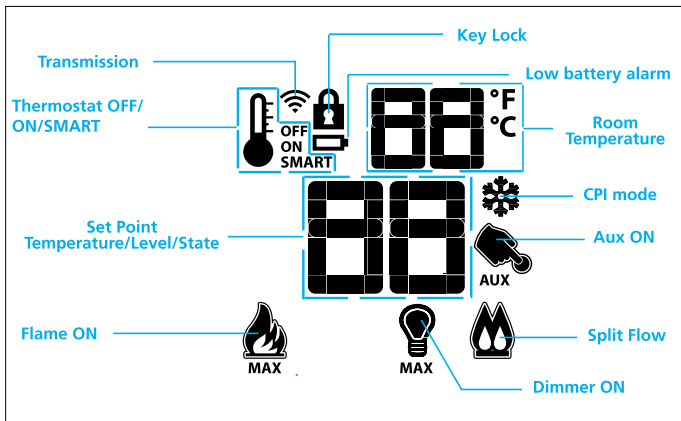


Figure 2: Transmitter LCD Display



TECHNICAL DATA REMOTE CONTROL	
Supply Voltage	4.5V (three 1.5V AAA batteries)
Ambient temperature ratings	0 - 50°C (32 - 122°F)
Radio Frequency	433.92 MHZ

WARNING: THE TRANSMITTER AND RECEIVER ARE RADIO FREQUENCY DEVICES. PLACING THE RECEIVER IN OR NEAR METAL MAY SEVERELY REDUCE THE SIGNAL RANGE.

ATTENTION!

- Turn "OFF" the main gas supply of the appliance during installation or maintenance of the Receiver device.
- Turn "OFF" main gas supply to the appliance prior to removing or reinserting the batteries.
- In case of remote control malfunction, turn off the IFC device using the "ON/OFF" main switch.
- For installation / maintenance, switch off the IFC device removing main power supply plug.

Operating Procedure

Pairing the remote control to remote receiver / battery holder (If required)

Power the receiver. Press the PRG button located on the top right hand corner of receiver, see the receiver instruction (*). The Receiver will "beep" three (3) times to indicate that it is ready to synchronize with a Transmitter. Install the 3 AAA type batteries in the Transmitter battery bay, located on the base of the Transmitter. (fig. 3) With the batteries already installed in the Transmitter, push the On button. The Receiver will "beep" four times to indicate the Transmitter's command is accepted and sets to the particular code of that Transmitter. The system is now initialized.

(*) The receiver may be independent or integral to the IFC hearth appliance control module. The receiver instruction may not be independent when part of the IFC.



Figure 3: Battery Compartment

Temperature Indication Display

With the system in the "OFF" position, press the Thermostat Key and the Mode Key at the same time. Look at the LCD screen on the transmitter to verify that a C or F is visible to the right of the room temperature display (Figures 4 & 5).

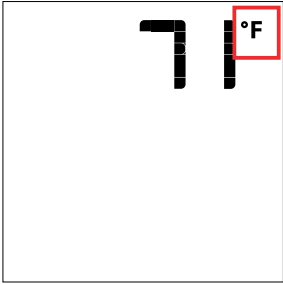


Figure 4: Remote Control Display in Fahrenheit.

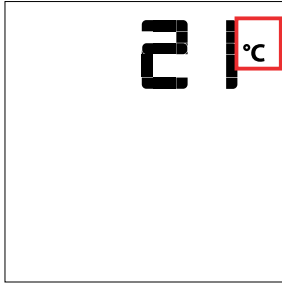


Figure 5: Remote Control Display in Celsius.

Turn on the Appliance

With the system OFF, press the ON/OFF Key on the Transmitter. The Transmitter display will show some other active Icons on the screen. At the same time the Receiver will activate the appliance. A single "beep" from the Receiver will confirm reception of the command.

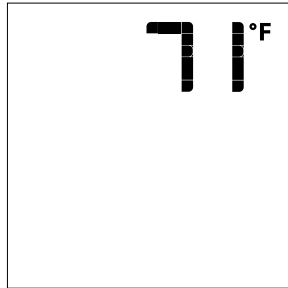


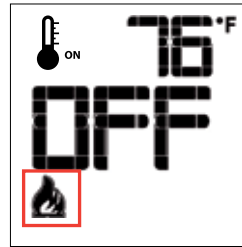
Figure 6: Remote Control Display

Turn off the Appliance

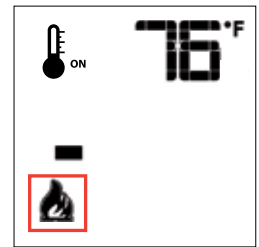
With the system ON, press the ON/OFF Key on the Transmitter. The Transmitter LCD display will only show the room temperature (Fig. 6). At the same time the Receiver will turn off the appliance. A single "beep" from the Receiver confirms reception of the command.

Remote Flame Control

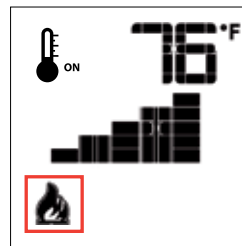
The Proflame has six (6) flame levels. With the system on, and the flame level at the maximum in the appliance, pressing the Down Arrow Key once will reduce the flame height by one step until the flame is turned off. The Up Arrow Key will increase the flame height each time it is pressed. If the Up Arrow Key is pressed while the system is on but the flame is off, the flame will come on in the high position. (Fig. 7 & 8) A single "beep" will confirm reception of the command.



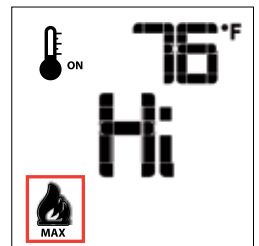
Flame Off



Flame Level 1



Flame level 5



Flame Level Maximum

Fig. 7

Fig. 8

Room Thermostat (Transmitter Operation)

The Remote Control can operate as a room thermostat. The thermostat can be set to a desired temperature to control the comfort level in a room. To activate this function, press the Thermostat Key (Fig. 1). The LCD display on the Transmitter will change to show that the room thermostat is "ON" and the set temperature is now displayed (Fig. 9). To adjust the set temperature, press the Up or Down Arrow Keys until the desired set temperature is displayed on the LCD screen of the Transmitter.

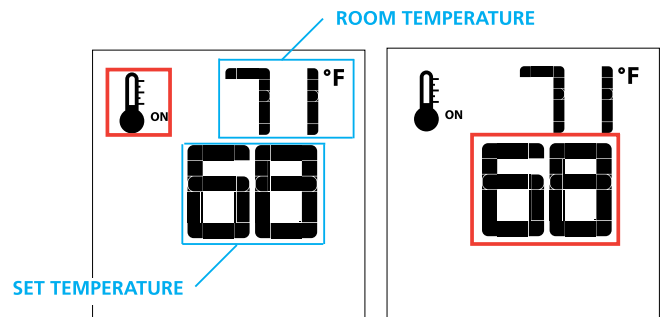


Figure 9

Figure 10

owner's information

Smart Thermostat (Transmitter Operation)

The Smart Thermostat function adjusts the flame height in accordance to the difference between the set point temperature and the actual room temperatures. As the room temperature gets closer to the set point the Smart Function will modulate the flame down.

To activate this function, press the Thermostat Key (Fig. 1) until the word "SMART" appears to the right of the temperature bulb graphic (Fig. 11).

To adjust the set temperature, press the Up or Down Arrow Keys until the desired set temperature is displayed on the LCD screen of the Transmitter (Fig. 12).

Note. When Smart Thermostat is activated, manual flame height adjustment is disabled.

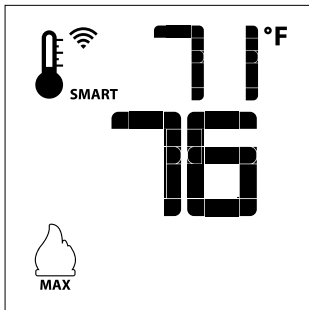


Figure 11: Smart Flame Function

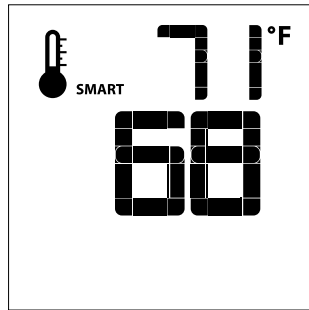


Figure 12

Fan Speed Control**

If the appliance is equipped with a hot air circulating fan, the speed of the fan can be controlled by the Proflame system. The fan speed can be adjusted through six (6) speeds. To activate this function use the Mode Key (fig.1) to index to the fan control icon (Fig. 13). Use the Up/Down Arrow Keys (fig.1) to turn on, off or adjust the fan speed (fig. 14). A single "beep" will confirm reception of the command.

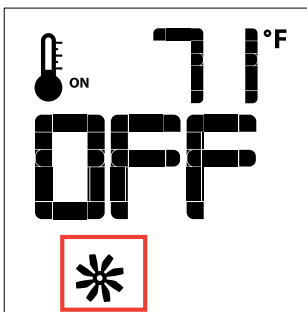


Figure 13

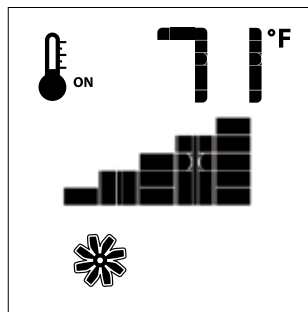


Figure 14

Remote Dimmer Control (Light)**

The auxiliary function controls the AUX power outlet by the dimmable light control. To activate this function use the Mode Key (fig. 1) to index to the AUX icon (fig. 15 & 16).

The intensity of the output can be adjusted through six (6) levels. Use the Up/Down Arrow Keys (Fig.1) adjust the output level (Fig. 16). A single "beep" will confirm reception of the command.

Note: This function is available only with the IFC Control Module.

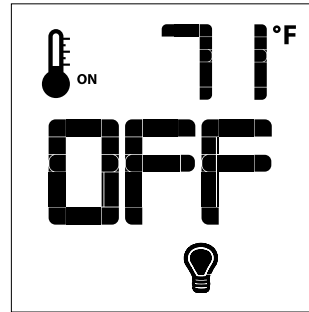


Figure 15

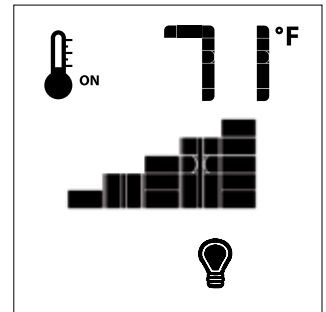


Figure 16

Split Flow Control**

The secondary burner is controlled by the split Flow. To activate this function use the Mode Key (fig. 1) to index to the SPLIT FLOW mode icon (fig. 17 & 18).

Pressing the Up Arrow Key will activate the secondary burner. Pressing the Down Arrow Key will turn the secondary burner off. A single "beep" will confirm the reception of the command.

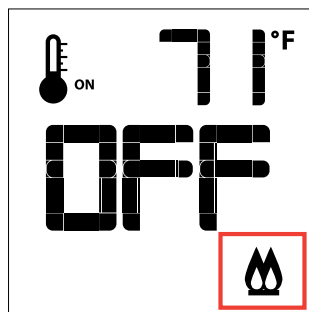


Figure 17

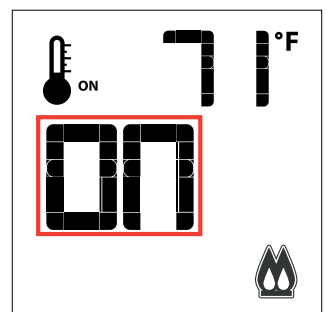


Figure 18

Continuous Pilot/Intermittent Pilot (CPI/IPI) Selection

Note: Power vent models do not have a Continuous Pilot option.

With the system in "OFF" position press the Mode Key (fig. 1) to index to the CPI mode icon (fig. 19 & 20). Pressing the Up Arrow Key will activate the Continuous Pilot Ignition mode (CPI). Pressing the Down Arrow Key will return to IPI. A single "beep" will confirm the reception of the command.

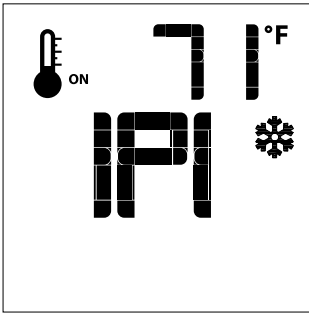


Figure 19

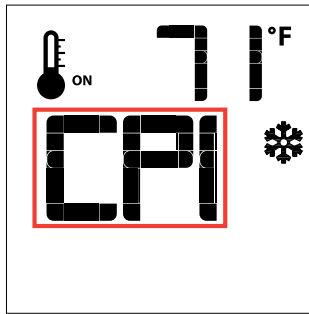


Figure 20

CPI/IPI Switch

This appliance comes equipped with a CPI/IPI switch. The functions of both the CPI/IPI switch are as follows:

Continuous pilot (CPI) - A pilot that when in operation, is intended to remain continuously ignited until it is manually interrupted.

Intermittent pilot (IPI) - A pilot that is automatically ignited when an appliance is called on to operate and which remains continuously ignited during each period of main burner operation. The pilot is automatically extinguished when each main burner operating cycle is completed. The mode of the fireplace is easily changed from an intermittent pilot ignition system (IPI) to a continuous pilot ignition system (CPI) by using remote control as noted above.

The benefits of having as CPI are as follows:

- Keeps venting primed for trouble free start-up under colder weather conditions or inversions.
 - Keeps the unit glass warm, which decreases the amount of condensation on start-up
 - Provides owners with flexibility to choose a traditional continuous pilot.
- The primary benefit of having the IPI function is a significant savings on fuel as the pilot will only run when there is a call for heat.

Thermostat Icon: If the thermostat icon is not present on the remote transmitter, follow instructions noted below:

1. Remove one battery from the remote.
2. Press and hold down the Thermostat button on the remote.
3. Reinstall the battery (removed in Step 1) while still holding down thermostat button.
4. If you see "Set" the thermostat option is now enabled. If you see "Clr" the thermostat option is now disabled.
5. Repeat the procedure if the "Set" or "Clr" to remove or add the option back to the remote did not appear.

Enable all other functions if not present on the remote transmitter, follow instructions noted below:

1. Remove one battery from remote.
2. Press and hold both the **ON/OFF** and **MODE** button at the same time .
3. Reinstall battery removed in Step 1 while holding both buttons—keep holding buttons, then release the **MODE** button only.
4. The screen will show either "Clr" or "Set" as the first option available is to disable or enable a mode.

5. "**Clr**" will remove a mode—use the up or down arrow while holding down **ON/OFF** and **MODE** (mode icon will disappear once removed).
6. Use the "**MODE**" button to move to the next function.
7. "**Set**" will add a mode —use the up or down arrow while holding down **ON/OFF** and **MODE** (mode icon will appear when added).
8. Use the "**MODE**" button to move to the next function.

Note: You should never program out the fan (if installed) or CPI/IPI mode on the remote.

Key Lock

This function will lock the keys to avoid unsupervised operation. To activate this function, press the MODE and UP Keys at the same time (fig. 21). To de-activate this function, press the MODE and UP Keys at the same time.

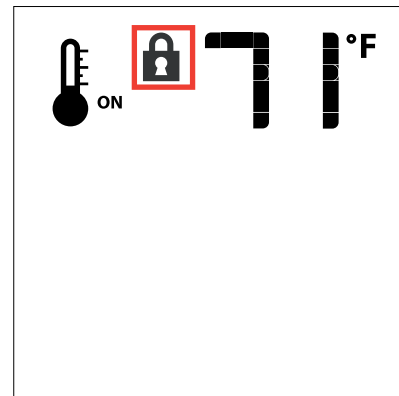


Figure 21

Low Battery Power Detection Transmitter

The life span of the remote control batteries depends on various factors: quality of the batteries used, the number of ignitions of the appliance, the number of changes to the room thermostat set point, etc. When the Transmitter batteries are low, a Battery Icon will appear on the LCD display of the Transmitter (Fig. 22) before all battery power is lost. When the batteries are replaced this Icon will disappear.

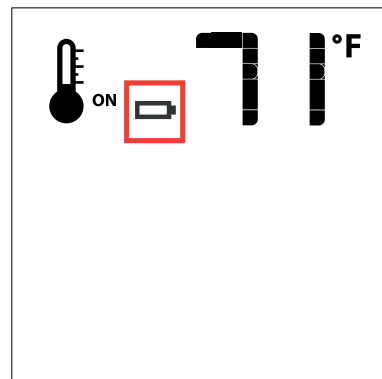


Figure 22

owner's information

Proflame II Battery Holder Battery Replacement & Battery Back Up if 240 Volt Power is lost

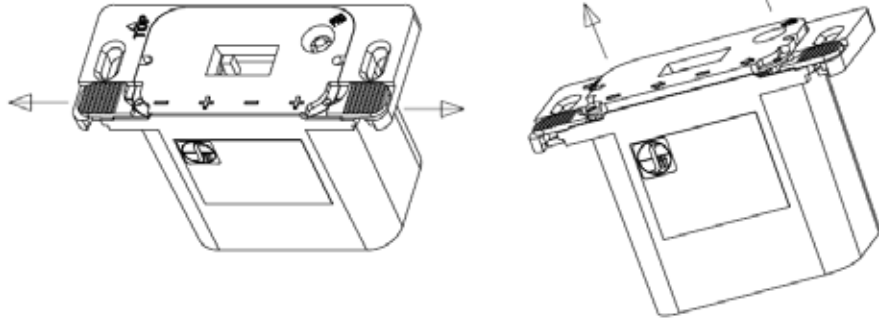
How to replace/add the batteries on battery holder (Proflame 2).

Note : If a wall switch cover plate is installed, first remove cover plate by removing 2 small phillips head screws

STEP 1

Move both the left/right slides as shown below.

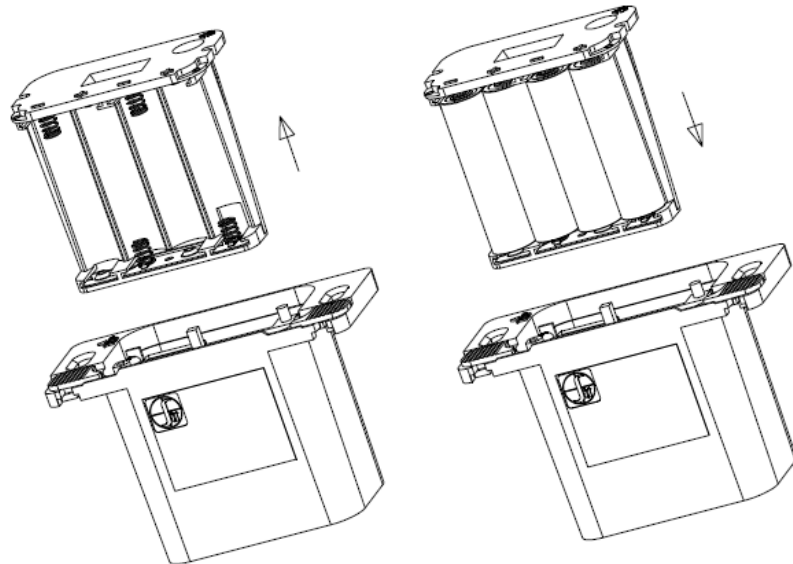
The battery compartment will be pushed out slightly, to allow to easily extract it



STEP 2

Extract the battery compartment from the remote receiver/battery holder

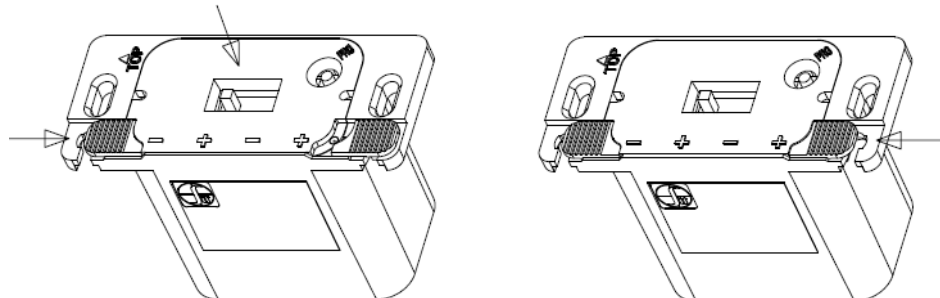
Replace 4 x AA batteries and insert the battery compartment back into remote receiver/battery holder



STEP 3

Keeping the battery compartment pressed in, close the left slide

Close the right slide



STEP 4 Reinstall wall cover plate with 2 Phillips head screws.

Inner Glass Panel (Firebox Glass) Installation / Removal

To watch the firebox installation video click here <http://bit.ly/2qfQwST>

Note: glass panels must be installed to operate fireplace

WARNING: GLASS HANDLING

We recommend using the glass vacuum holders supplied by the manufacturer. Lower the glass to rest in a safe place, this is to prevent damage to the glass edges. Extra care must be taken when removing/installing the glass. Breakage or damage to the edge of the glass which occurs as a result of careless handling will not be covered under warranty.

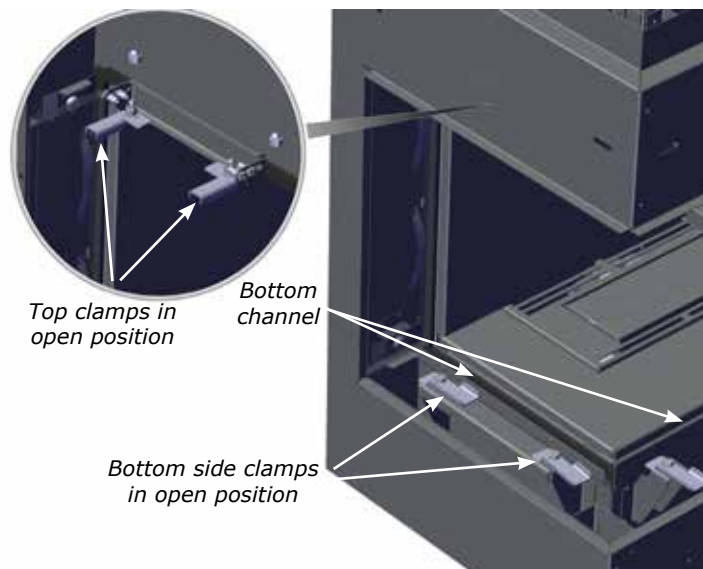
- We recommend handling the glass with supplied vacuum clamps
- When removing glass—prepare a soft, scratch resistant surface to place the glass
- Never clean or remove hot glass

Note: The suction cups may leave a round film on the glass when used. Ensure that the glass is cleaned using a fireplace glass cleaner prior to operating the appliance.

Important:

Prior to installing the inner glass, ensure that there is no media present in the bottom channel as this can cause damage to the glass. Remove any media from bottom channel prior to installing the glass.

1. Remove outer safety glass panels if previously installed—see instructions in this manual.
 2. **ACC40LE/ACC40RE Single sided & ACC40LE/ACC40RE 3 Sided Units**—Remove outer panels installed in units - see panel removal section in this manual.
- Single sided units**—proceed to Step 5.
3. Ensure all 4 clamps on each side are open to allow clearance for the glass. Lift up side panel using supplied vacuum clamp and tilt inward and upward positioning into a top channel and lowering gently into the lower glass channel—slide the side glass panel firmly towards the back wall until the springs at the back wall are compressed.

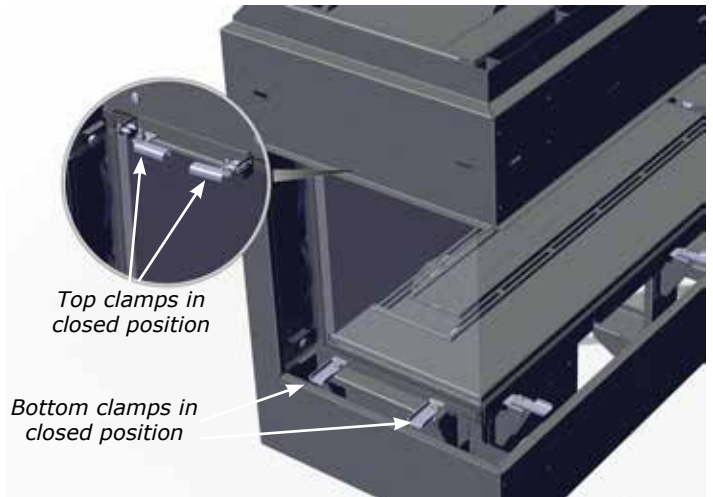


ACC40LE/ACC40RE shown

Push side glass panel firmly to back wall until springs are compressed—then close clamps.



4. With the springs compressed, close the 2 clamps at the bottom and 2 clamps at the top, by turning inward, to secure the glass in position. For the 3 sided unit, repeat on the opposite side.

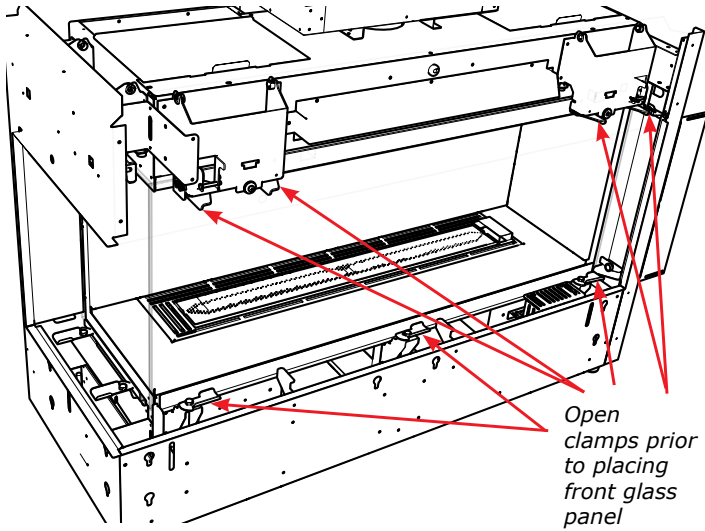


ACC40LE/ACC40RE shown

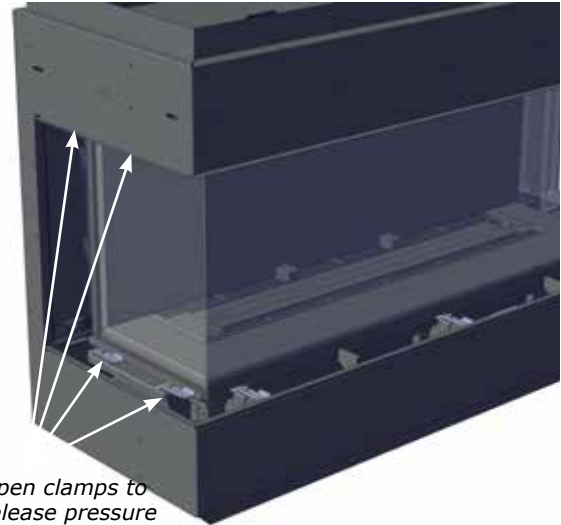
owner's information

5. Ensure all 7 front clamps are in the open position to allow clearance for the glass.

Note: Ensure that the front glass is centered and evenly spaced with side glass (3 sided unit) - open to release glass clamps to remove from surface of glass.



ACC40LE shown



6. Lift up the front panel using the supplied vacuum clamps and position into the lower front channel—ensure the front panel is accurately centered—with the front panel in position—secure in place by closing the 3 lower clamps and 4 upper clamps.

7. Return to the side panel(s), and release the upper and lower clamps. The springs will release and push the glass side panel forward slightly—this will create a seal between the front and side panels. When the junction between the front and side glass panels is sealed, close the clamps to secure the side panel(s) in place.

Press glass vacuum clamps in open position firmly onto surface of glass. Bring handles together to close.

8. To remove the glass panels—always remove the side panel(s) (for 3 sided units) before removing the front panel.

9. Reverse steps to remove glass.



Open



Closed



Handle front panel with supplied vacuum clamps

Outer Safety Glass Panel (Barrier Glass) Installation / Removal

▶ To watch the safety barrier glass installation video click here <http://bit.ly/2ryq0c0>

Note: safety glass panels must be installed to operate fireplace

WARNING: GLASS HANDLING

We recommend using the glass vacuum holders supplied by the manufacturer. Lower the glass to rest in a safe place, this is to prevent damage to the glass edges. Extra care must be taken when removing/installing the glass. Breakage or damage to the edge of the glass which occurs as a result of careless handling will not be covered under warranty.

- We recommend handling the glass with supplied vacuum clamps
 - When removing glass—prepare a soft, scratch resistant surface to place the glass
 - Never clean or remove hot glass
- Note:** The suction cups may leave a round film on the glass when used. Ensure that the glass is cleaned using a fireplace glass cleaner prior to operating the appliance.

Outer glass safety panels to be installed during the initial installation after the unit is in the final position.

Note: The outer safety panels come with plastic corners to protect these against damage. These should be kept in place until such time the outer safety panels are installed. Ensure these are removed prior to operating the appliance. Keep the plastic corners in a safe place if ever removing the outer panels for servicing.

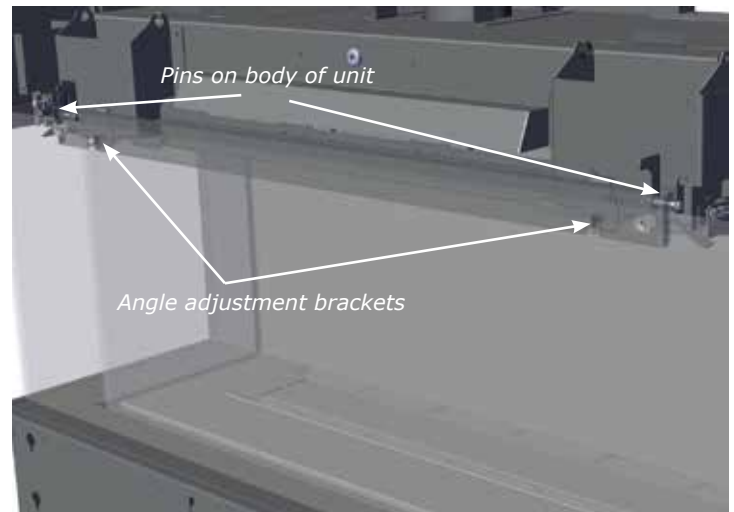
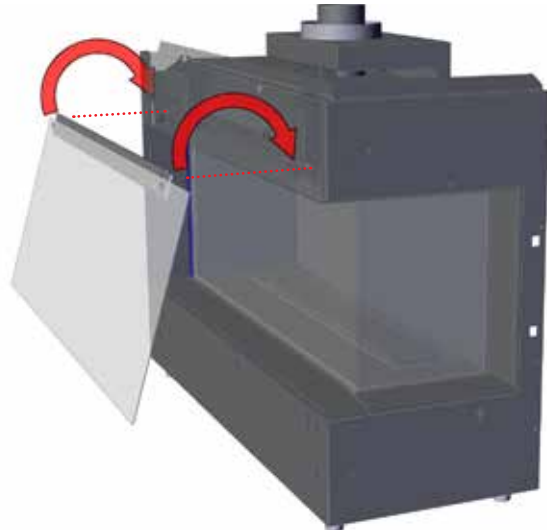
1. Carefully remove glass safety panels from packaging. Press glass vacuum clamp in open position firmly onto surface of glass. Bring handles together to close.



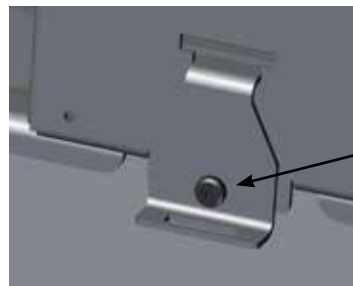
NOTE: Inner glass panel shown in image - depicting proper handling of glass.

2. Using the supplied vacuum clamps, lift the large front glass panel and position it front and centre by manoeuvring up and underneath the front of the unit frame.

3. Tilt the top of the glass panel inward and lift up and underneath the upper front panel of the outside frame. Hook the glass panel onto the pins and also onto the two angle adjustment brackets located on the frame in two locations as shown in the diagram below. **Note:** The front frame upper panel is shown as transparent to better illustrate the install (this area is not visible when installing glass).



Note: If the outer safety glass panels do not sit at 90° and angle too far inward or outward, remove the glass panel and adjust the screw of the panel angle bracket. Turn the panel angle bracket screw in 1/4 increments—reinstall panel to check.



Panel angle bracket—to adjust, turn screw:
 Clockwise = bring panel in
 Counter clockwise = bring panel out

owner's information

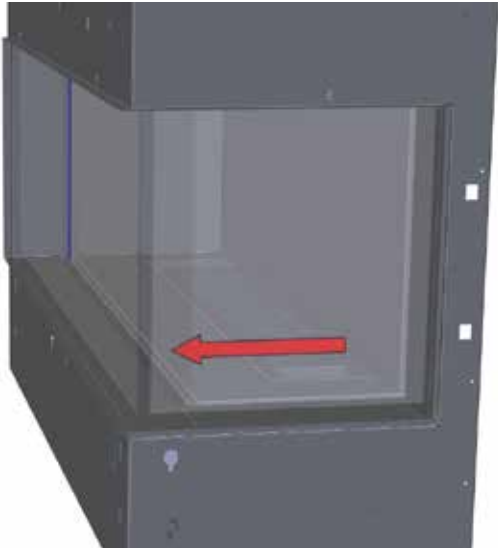
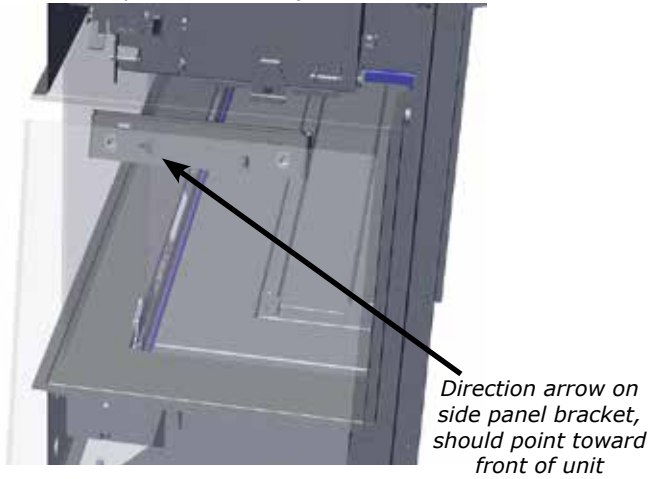
Outer Safety Glass Panel (Barrier Glass) Installation / Removal

Note: safety glass panels must be installed to operate fireplace.

With front panel installed, proceed to install the side panel(s). Identify the left and right side panels before installing. Facing the front of the unit, the right panel will show an arrow pointing to the front of the unit as shown in the diagram below.

Note: After the side panel has been adjusted so it is installed at 90° to the

unit and not flaring in or out, check to ensure there is no gap between the front and side panel. If there is a gap as shown below, slide the side panel to adjust the position and close the gap.



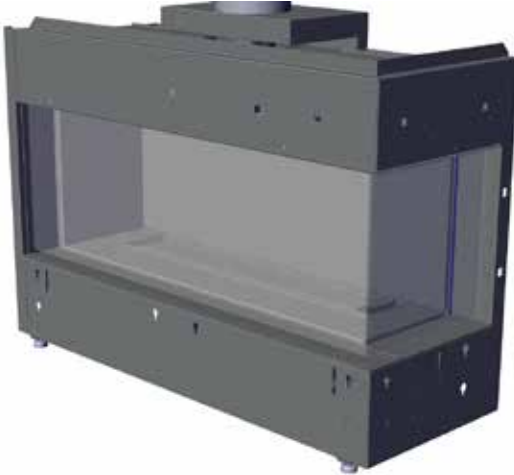
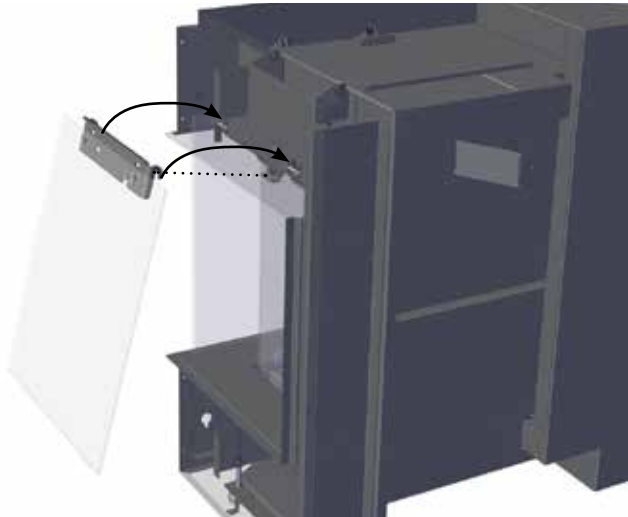
5. Lift up the side panel with the supplied glass clamps (see procedure on previous page). Tilt the side of the glass panel inward and lift up and underneath the upper side panel and hook the 2 outer hooks on to the pins, there is also a panel angle adjustment bracket for the third hook.

Note: The side frame upper panel is shown as transparent to better illustrate the install (this area is not visible when installing glass).

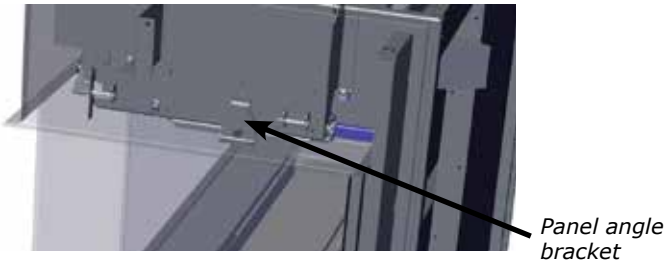
6. Repeat Steps 4 and 5 to install the opposite side panel.

7. Reverse Steps to remove all panels.

Note: When removing panels, we recommend using the supplied glass clamps.



Note: If the outer safety glass side panels angle too far inward or outward, remove the side glass panel and adjust on the panel angle bracket, see details on previous page.



Maintenance Instructions

1. Always turn off the gas valve before cleaning. For relighting, refer to lighting instructions. Keep the burner and control compartment clean by brushing and vacuuming at least once a year. When cleaning the logs, use a soft clean paint brush as the logs are fragile and easily damaged.
2. Clean appliance and door with a damp cloth (never when unit is hot). Never use an abrasive cleaner. The glass should be cleaned with a gas fireplace glass cleaner. **The glass should be cleaned when it starts looking cloudy.**
3. The fireplace is finished in a heat resistant paint and should only be refinished with heat resistant paint. Regency® uses StoveBright Paint - Metallic Black #6309.
4. Make a periodic check of burner for proper position and condition. Visually check the flame of the burner periodically, making sure the flames are steady; not lifting or floating. If there is a problem, call a qualified service person.
5. The appliance and venting system must be inspected before use, and at least annually, by a qualified field service person, to ensure that the flow of combustion and ventilation air is not obstructed.

Note: Never operate the appliance without the glass properly secured in place.

6. Do not use this appliance if any part has been under water. Immediately call a qualified service technician to inspect the appliance and to replace any part of the control system and any gas control which has been under water.
7. In the event this appliance has been serviced check that the flue-air system has been properly resealed & reinstalled in accordance with the manufacturer's instructions.
8. Verify operation after servicing.

General Flue Maintenance

Conduct an inspection of the venting system semi-annually. Recommended areas to inspect as follows:

1. Check the Venting System for corrosion in areas that are exposed to the elements. These will appear as rust spots or streaks, and in extreme cases, holes. These components should be replaced immediately.
2. Remove the Cap, and shine a flashlight down the Flue. Remove any bird nests, or other foreign material.
3. Check for evidences of excessive condensation, such as water droplets forming in the inner liner, and subsequently dripping out the joints. Continuous condensation can cause corrosion of caps, pipe, and fittings. It may be caused

by having excessive lateral runs, too many elbows, and exterior portions of the system being exposed to cold weather.

4. Inspect joints, to verify that no pipe sections or fittings have been disturbed, and consequently loosened. Also check mechanical supports such as Wall Straps, or plumbers' tape for rigidity.

Log Replacement

The unit should never be used with broken logs. Turn off the gas valve and allow the unit to cool before opening door and carefully remove the logs. (The pilot light generates enough heat to burn someone.) If for any reason a log should need replacement, you must use the proper replacement log. The position of these logs must be as shown in the diagrams under Log Installation.

Note: Improper positioning of logs may create carbon build-up and will severely alter the unit's performance which is not covered under warranty.

Glass Gasket

If the glass gasket requires replacement use a tadpole glass gasket (Part # 846-696).

Glass

Your Regency® fireplace is supplied with high temperature 5mm-Tempered outer glass & 5mm-Ceramic inner glass. If your glass requires cleaning, we recommend using an approved glass cleaner available at all authorized dealers. Do not use abrasive materials.

CAUTION & WARNINGS:

- * Do not clean when the glass is hot.
- * The use of substitute glass will void all product warranties.
- * Care must be taken to avoid breakage of the glass.
- * Do not strike or abuse the glass.
- * Do not operate this fireplace without the glass front or with a cracked or broken glass front.
- * Wear gloves when removing damaged or broken glass.
- * Replacement of the glass panels should be done by a licensed or qualified service person.

Glass Replacement

In the event that you break your glass by impact, purchase your replacement from an authorized Regency dealer only. Replacement glass is shipped already installed into the door frame. Reinstall as per Glass Installation in the "Glass Installation" section.

REPLACEMENT GLASS:

ACC40LE/ACC40RE

Inner Glass Front - Ceramic (Part# 940-436/P)
Inner Glass Side - Ceramic (Part# 940-437/P)

ACC40LE

Outer Safety Glass Side - Tempered Large #940-486/P
Outer Safety Glass Side - Tempered Small # 940-440/P

ACC40RE

Outer Safety Glass Side - Tempered Large #940-485/P
Outer Safety Glass Side - Tempered Small #940-439/P

installer's information

Locating Your Gas Fireplace

1. When selecting a location for your fireplace, ensure that the clearances are met.
2. The appliance must be installed on a flat, solid, continuous surface. For example a wood, metal or concrete floor or in a raised (on the wall) application. The appliance must be installed on a metal or wood panel extending the full width and depth of the appliance.
3. The ACC40LE/ACC40RE Direct Flue Gas Fireplace can be installed in a recessed position or framed out into the room as in A and B. See Diagram 1.

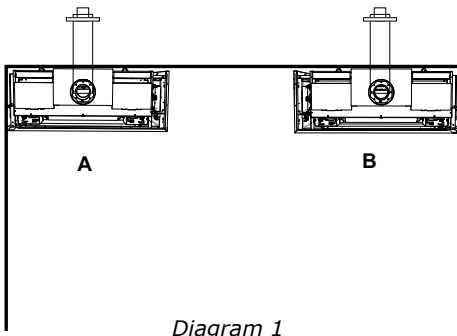


Diagram 1

- A)** Corner Left
B) Corner Right

4. For bedroom installations, check with local codes before installation. This appliance is offered with a remote control.
5. The ACC40LE/ACC40RE Direct Flue Gas Fireplace is approved for alcove installations, see "Clearances" section for details.
6. We recommend that you plan your installation on paper using exact measurements for clearances and floor protection before actually installing this appliance. Have an authorized inspector, dealer, or installer review your plans before installation.

Note: For flue terminations refer to "Exterior Flue Termination Locations" section.

Unit Assembly Prior to Installation

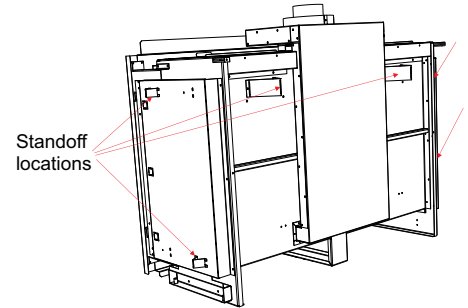
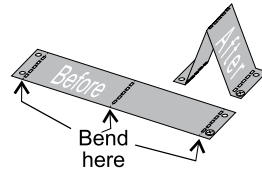
Before you start

The ACC40LE/ACC40RE has 4 standoffs, 2 on one side and 2 at the back that need assembly before installation.

Side and Back Standoff Assembly ACC40LE/ACC40RE

The standoffs are shipped in a flat position and must be folded into shape and attached.

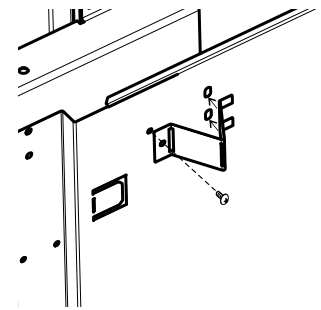
Take each standoff off the unit by removing one screw and bend into the correct shape. Slot the 2 tabs of the stand off into the slots in the unit and attach the other end with one screw.



ACC40LE/ACC40RE

Back Standoff Assembly ACC40LE/ACC40RE

Take each standoff off the unit by removing one screw. Bend into the correct shape (see above). Slot the 2 tabs of the stand off into the slots in the unit and attach the other end with one screw.



ACC40LE/ACC40RE

Installation Checklist

1. Locate appliance. Refer to the following sections:
 - a) Locating Your Fireplace
 - b) Clearances
 - c) Combustible Mantel Clearances
 - d) Framing & Finishing
 - e) Venting. See the "Venting Introduction" to "Venting Arrangements" sections.

2. If required, adjusting the primary air to ensure that the flame does not carbon. First allow the unit to burn for 15-20 min. to stabilize.

CAUTION: Any alteration to the product that causes sooting or carboning that results in damage is not the responsibility of the manufacturer.

2. Assemble Standoffs. Refer to the "Unit Assembly Prior to Installation" section. (NOTE: must be done before installing unit into fireplace.)

3. Install flue. See the "Horizontal Installations" to "Installation Procedures" sections.

4. Install 4 AA batteries into receiver battery box. Connect receiver to wiring marked receiver, this will enable operation of the appliance manually when position in "ON" position.

Note: The wire harness (marked receiver) is located near the gas valve and will need to be routed to the exterior of the fireplace from either the left or right hand side of the appliance prior finishing.

5. Supply 240 volt power to appliance. This will be required to operate lights and highly recommended to operate gas valve. AA Batteries serve as back up only if 240 volt power is lost.

6. Make gas connections. Test the pilot. Must be as per diagram. Refer to the "Gas Line Installation" & "Pilot Adjustment" sections.

7. Install standard and optional features. Refer to the following sections where applicable:

- a. Safety Glass
- b. Firebox (inner) glass
- c. Log Set
- d. Fireglass
- e. Ceramic stones or other approved media
- f. Painted or enamel (panels required)
- g. Optional Framing Kit
- h. HeatWave Kit

8. Plug 3 prong plug into the receptacle.

9. Final check.

Before leaving this unit with the customer, the installer must ensure that the appliance is firing correctly and operation fully explained to customer.

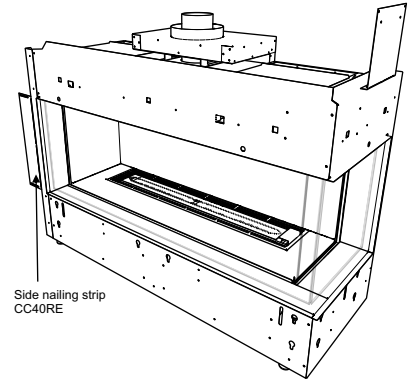
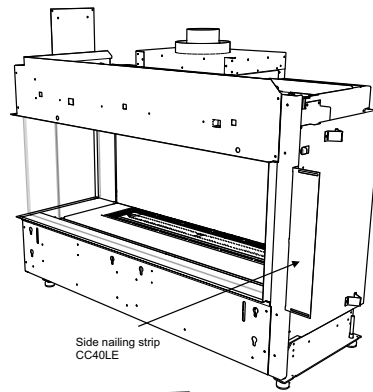
This includes:

1. Clocking the appliance to ensure the correct firing rate (rate noted on label 28,500 Btu/h NG/LP) after burning appliance for 15 minutes.

installation

Nailing Strips

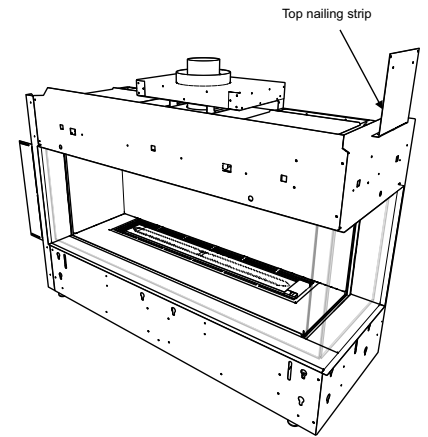
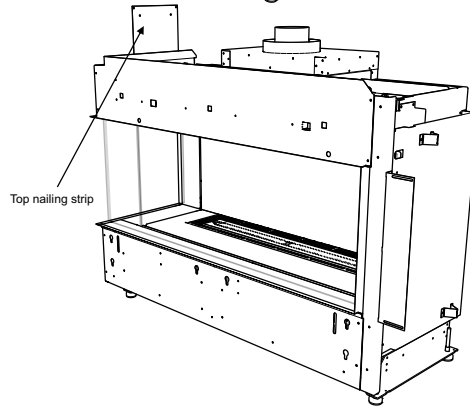
Nailing strips are shipped folded flat against the unit. Fold nailing strips out 90° before installing unit. Secure nailing strips to framing using wood or metal screws.



Top Nailing Strip

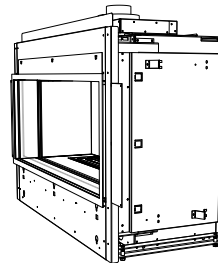
Nailing strip is shipped with the appliance and will need to be attached. Note that the nailing strips are not required if using the optional chase or extended framing kit and may be recycled.

1. Secure nailing strip to appliance with 2 screws.
2. Secure nailing strips to framing using wood or metal screws.



Levelling Bolts

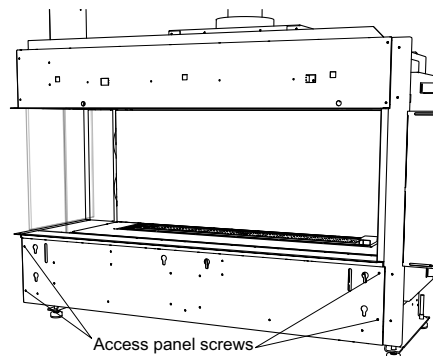
There are four levelling bolts - two on each side that can be adjusted if required.



Access Panel Removal

The front access panel may be removed for ease of hooking up gas and electrical. Once complete ensure that the access panel is reinstalled prior to any finishing.

The ACC40LE/ACC40RE has 4 screws to remove access cover. See locations in diagram to the right.



Ventilation Openings (Corner)

Regency's patented Cool Wall system releases warmth at ceiling level. This system reduces excessive radiant heat in front of the fireplace so you can enjoy your fireplace more often.

- Design your own chase vent solution to suit your home
- Use optional front or left & right side chase vent grills
- Release warmth into the room discreetly

Ventilation Opening Locations

The following are examples of how the ventilation openings may be placed above the fireplace.

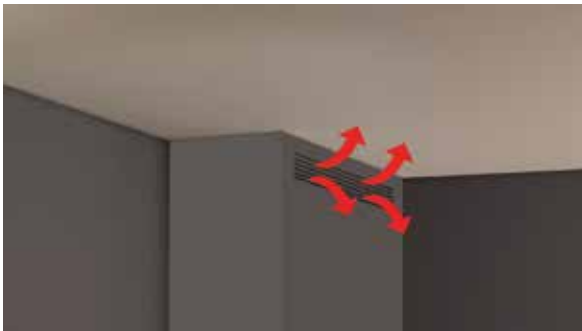
The air travelling through the heat exchanger is heated by the fireplace and then directed out the back of the fireplace. The combined warmed air is then vented back into the room.

If using the optional heat wave kit, this does not reduce the size of the ventilation opening. The ventilation opening(s) must be a minimum 774cm² regardless.



Front Exit

The ventilation opening may be placed in front ensuring it meets the 774cm² opening & is located 0 - 76mm from the enclosure ceiling.



Side/Front Exit

Ventilation openings, when placed on the side, must also have the same size ventilation opening in front. They must have an equal split (50/50) free air opening to balance air flow. A ventilation opening may never be on one side only.

The side ventilation opening cannot be any smaller than 152mm wide to equal the total area of 774cm² of free open area.

The ventilation openings must be located 0 - 76mm from the enclosure ceiling.



Top Exit

The ventilation opening may be short of the ceiling as shown below. Minimum width/depth of chase x height is measured from top of enclosure to the ceiling and must be in open in front and side to meet the minimum 774cm² free open air requirement.



The ventilation opening may be fully open at the top of the enclosure. This type of ventilation opening would be used when the top of the enclosure is not visible from above and where the ceiling within the room is higher than normal. When creating this type of ventilation opening, measures should be in place to avoid having objects of any type falling or be thrown into the ventilation opening. Mesh screen or other preventative measures should be put into place.



The ventilation opening may be placed on top ensuring it meets the 774cm² opening. This type of ventilation opening would be used when the top of the enclosure is visible from above and where the ceiling within the room is higher than normal.



installer's information

Chase Enclosure

When choosing to install the ventilation openings from the front or both sides, The top of the ventilation opening cannot be any lower than 0 - 76mm from the top of the chase enclosure for all installations.

Minimum height of enclosure from base of appliance is 1600mm.

A minimum 774cm² opening in the enclosure is required to maintain safe operating temperatures. This can be achieved in a number of ways including the examples shown in this manual.

IMPORTANT: Exterior wall/Alcove enclosure: When installing into an exterior cavity or alcove enclosure (ceiling, back and sides), regardless of where appliance is placed within the home, requires the use of either plasterboard or other means such as wood, wood studs, etc. to prevent heat from escaping anywhere above/through the enclosure other than the required grill/ventilation openings.

Internal chase: When installing as an internal chase framing installation, regardless of where appliance is placed within the home, requires the use of either plasterboard or other means such as wood, on the rear wall of the chase to eliminate heat escaping into the rear wall cavity. If the chase is extended to the ceiling, the ceiling will also need to be finished in a manner to prevent heat escaping into floor joist/attic space.

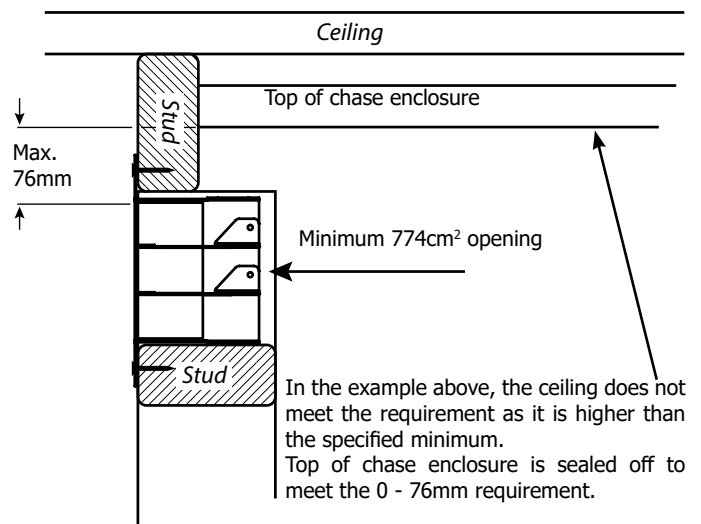
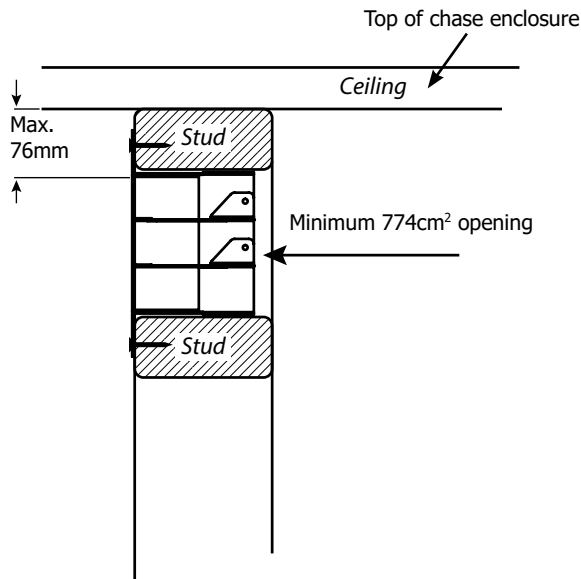
One of the following methods must be used to prevent the heat from escaping:

- If choosing plasterboard, ensure that the plasterboard is butt up tight with no gaps.
- Wood, wood studs, etc. installed tightly with no gaps.

As this appliance has been designed with all hot air escaping through the chase enclosure ventilation / grill openings only, if hot air is trapped as a result of the hot air escaping through joints, crevasses, open studs, or other openings within the enclosure above, this will change the clearances within the enclosure causing the enclosure to overheat. It is vital that all the hot air from within the enclosure exits through the ventilation openings only.

Ensure that the ventilation openings are made as such to prevent debris, objects from falling into the enclosure.

Warning: DO NOT cover or place objects in front of the ventilation opening air outlet(s).



Clearances

The clearances listed below are minimum distances unless otherwise stated:

A major cause of chimney related fires is failure to maintain required clearances (air space) to combustible materials. It is of the greatest importance that this fireplace and flue system be installed only in accordance with these instructions.

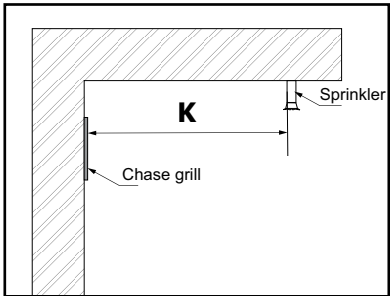
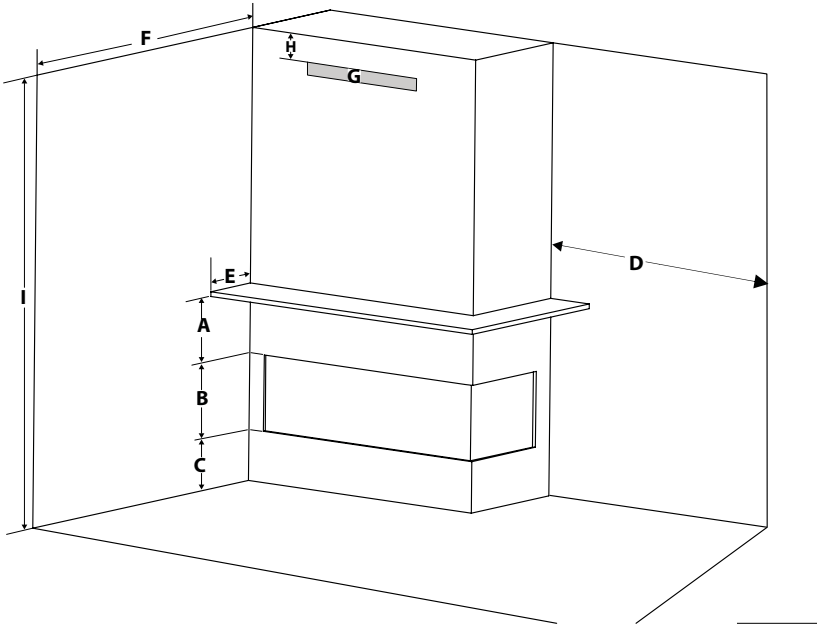
Note: ACC40LE shown in illustration. Clearances will be the same for the ACC40RE.

Clearance: single sided	Dimension	Measured From:
A: Mantel Height (min.)	**	Top of Fireplace Opening
B: Opening Height	382mm	Bottom/Top of Fireplace Opening
C: From Floor	Min. 0mm	Bottom of Fireplace Opening
D: Sidewall (on one side)	Min. 914mm	Side of Fireplace Opening
E: Mantel Depth (Max.)	**	Front of Fireplace Opening
F: Alcove Depth	Min. 914mm	Front of Fireplace Opening
G: Convection Air Outlet	*	Top of Enclosure
H: Convection Air Outlet Opening Offset	0-76mm	Max. offset from top of chase enclosure
I: Chase Enclosure (Min.)	1600mm	From Base of Unit
K: Clearance to sprinkler head (Min.)	914mm	Perpendicular from chase grill
Hearth	0mm	No hearth required

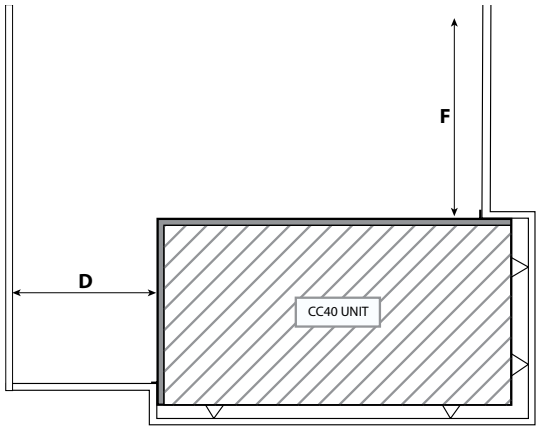
** See mantel clearances chart in this manual.

Flue Clearances to Combustibles	
Horizontal - Top	76mm
Horizontal - Side	51mm
Horizontal - Bottom	51mm
Vertical	51mm
Passing through wall/floor/ceiling - when firestop is used.	38mm

*A minimum of 774 square centimetres of open area, not lower than 76mm from top of enclosure, required for all installations.



Side View



Top View Alcove

The **HeatWave** Duct Kit has different clearance and framing requirements, check the **HeatWave** manual for details.

Caution Requirements

The top, back and sides of the fireplace are defined by standoffs. The metal ends of the standoff may **NOT** be recessed into combustible construction.

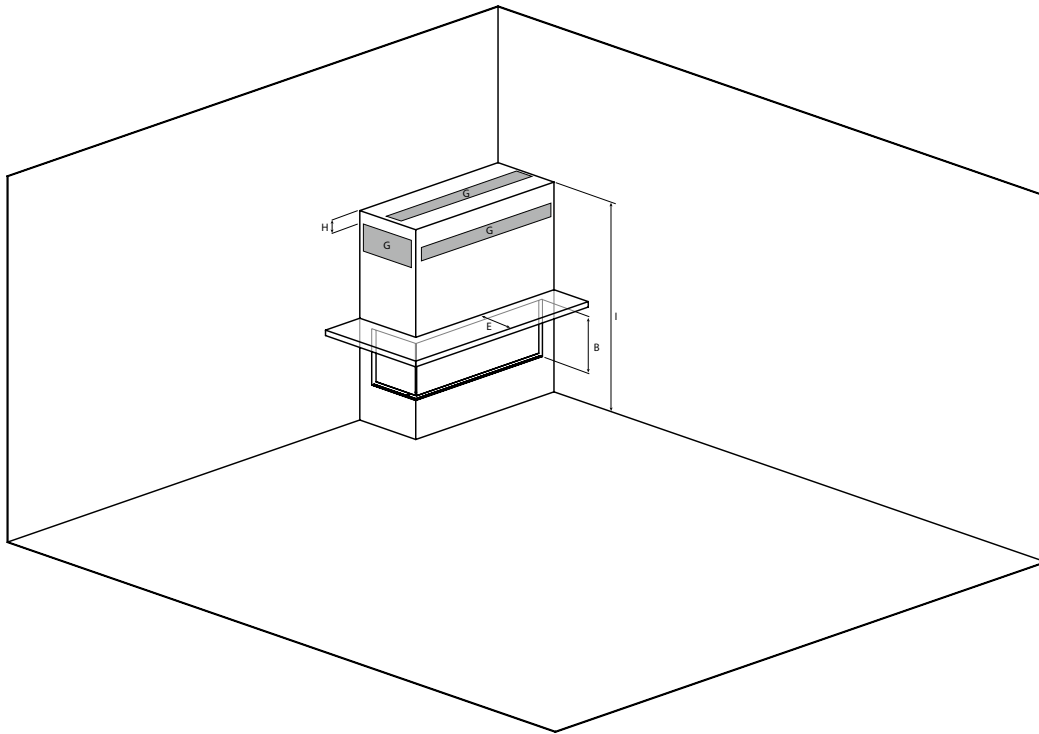
WARNING

Fire hazard is an extreme risk

if these clearances (air space) to combustible materials are not adhered to. It is of greatest importance that this fireplace and flue system be installed only in accordance with these instructions.

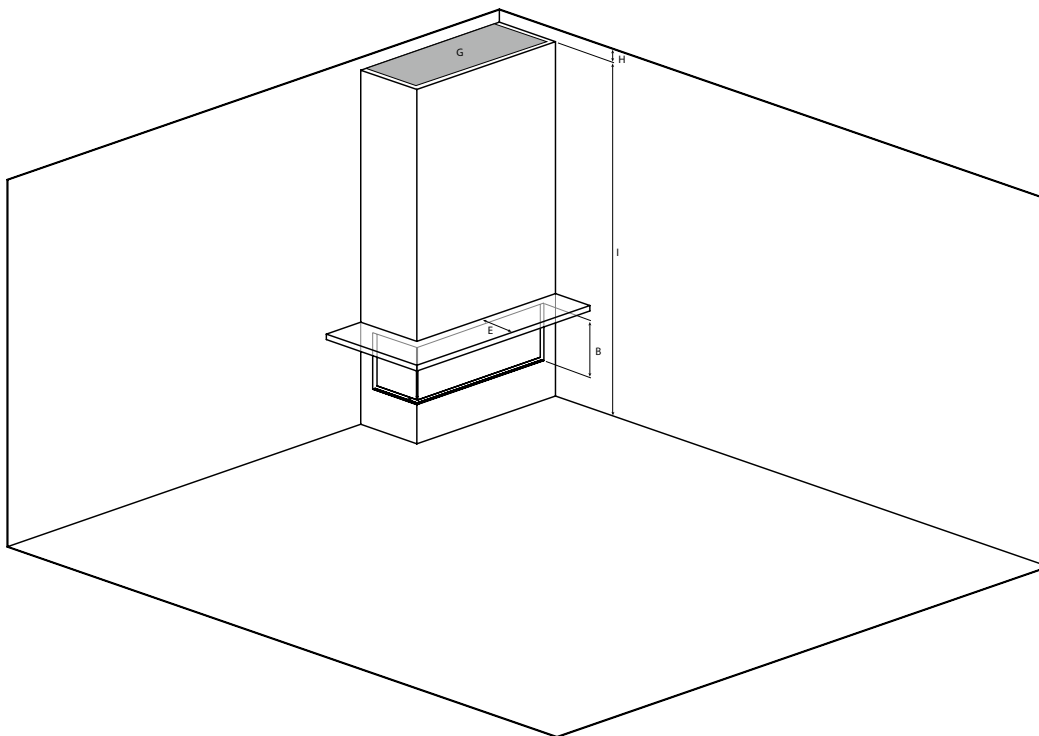
installation

Clearances



Low framing with vents in front/sides or top

ACC40LE shown



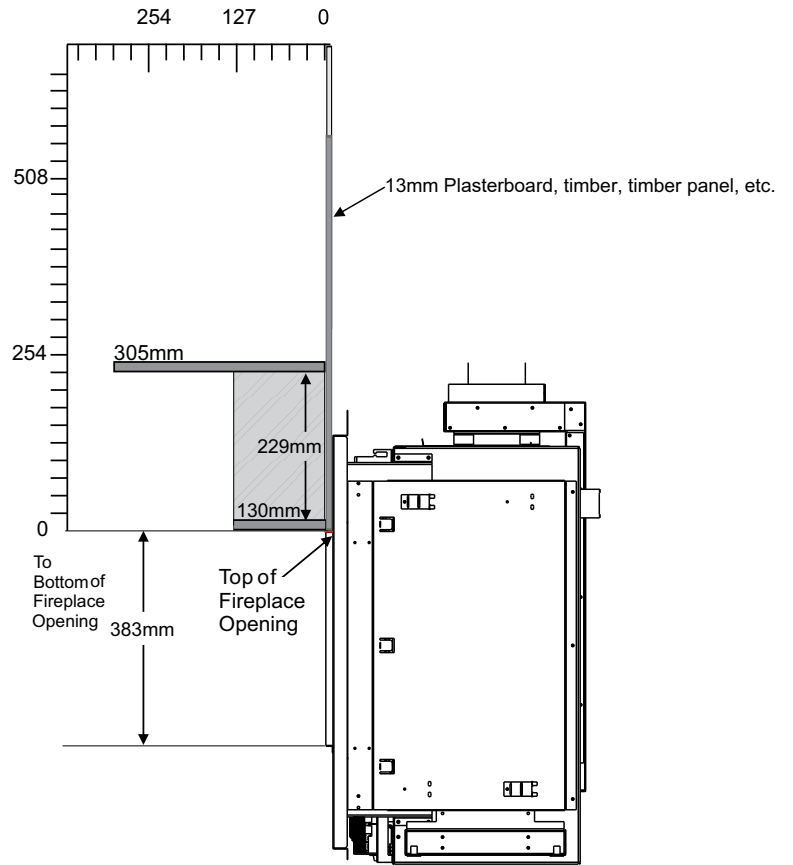
Floor to ceiling with top opening

ACC40LE shown

installation

Mantel Clearances

Combustible mantel clearances from top of front facing are shown in the diagram on the right.



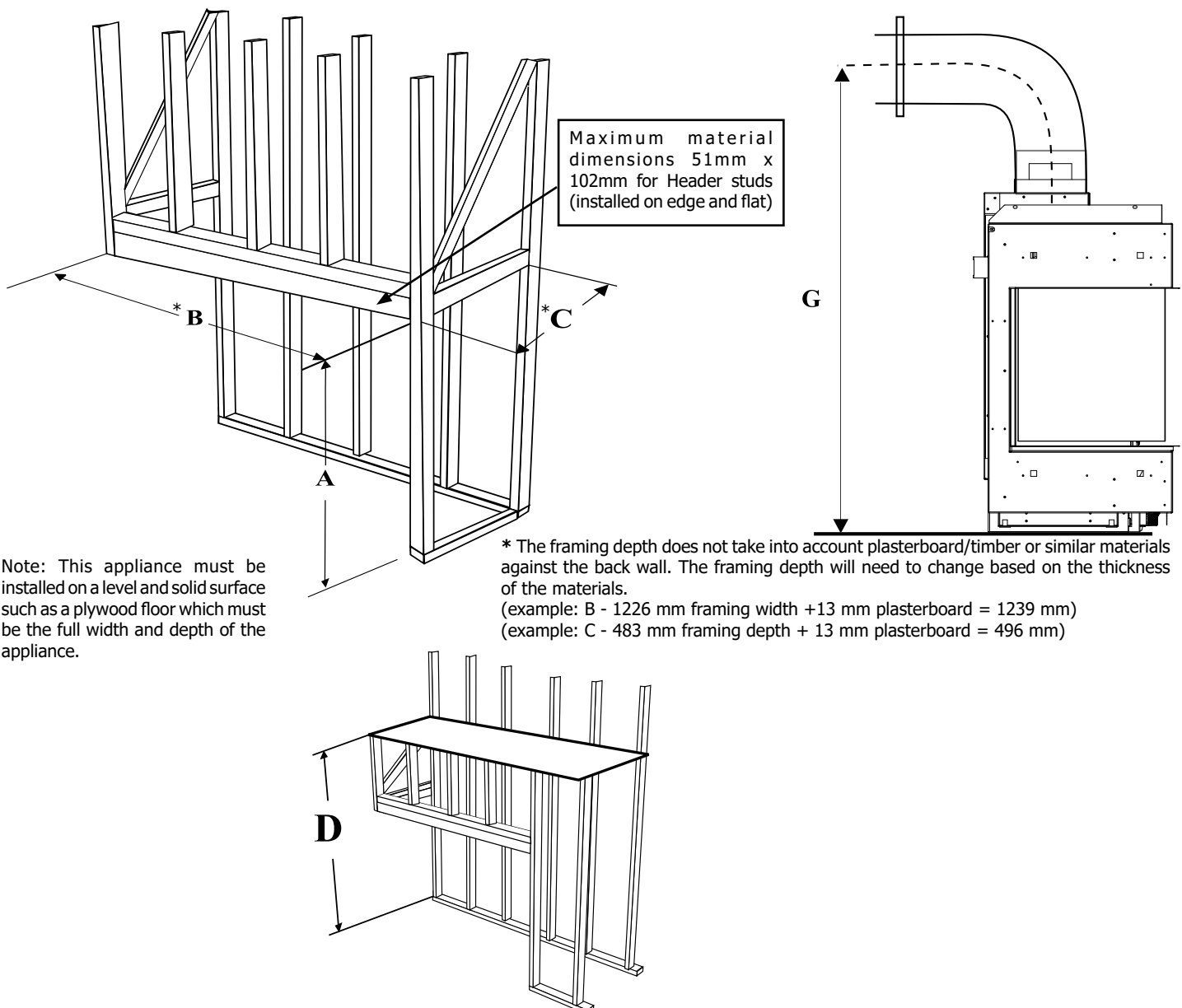
Framing Dimensions (Left Corner)

NOTE: Framing may be constructed of combustible material (ie. 51mm x 102mm) and does not require steel studs.

Framing Dimensions	Description	ACC40LE
A	Framing Height	949mm
B*	Framing Width	1226mm
C*	Framing Depth	483mm
D	Unit Base to Top Enclosure (Min.)	1600mm
G	Flue Centerline Height	1429mm

Note: A combined minimum of 774 square centimetres of open area is required for the convection air outlet to cool the enclosure. Ensure clearances for Convection Air Outlets are met. See clearances ACC40LE/ACC40RE (single sided) in this manual as there are different methods as to how this can be achieved.

NOTE: Unit cannot be load-bearing. All finishing materials must be supported by the framing.



installation

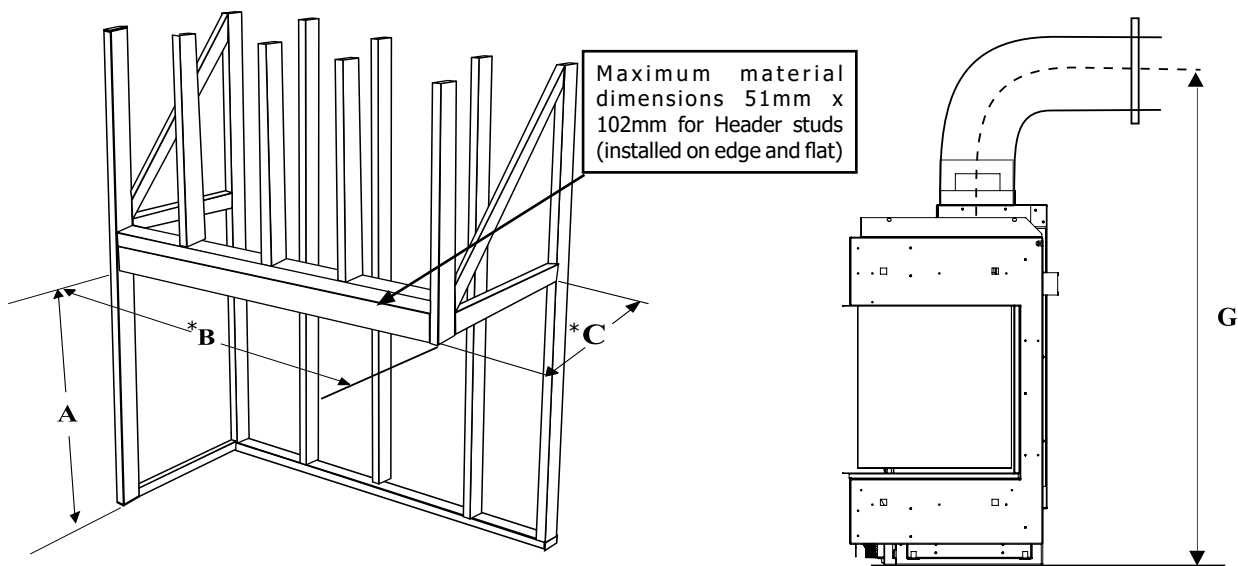
Framing Dimensions (Right Corner)

NOTE: Framing may be constructed of combustible material (ie. 51mm x 102mm) and does not require steel studs.

Framing Dimensions	Description	ACC40RE
A	Framing Height	949mm
B*	Framing Width	1226mm
C*	Framing Depth	483mm
D	Unit Base to Top Enclosure (Min.)	1600mm
G	Flue Centerline Height	1429mm

Note: A combined minimum of 774 square centimetres of open area is required for the convection air outlet to cool the enclosure. Ensure clearances for Convection Air Outlets are met. See clearances ACC40RE (in this manual) as there are different methods as to how this can be achieved.

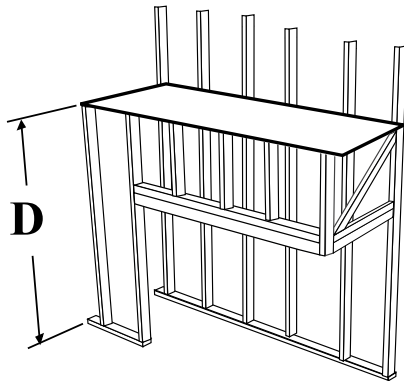
NOTE: Unit cannot be load-bearing. All finishing materials must be supported by the framing.



Note: This appliance must be installed on a level and solid surface such as a plywood floor which must be the full width and depth of the appliance.

* The framing depth does not take into account plasterboard/timber or similar materials against the back wall. The framing depth will need to change based on the thickness of the materials.

(example: B - 1226 mm framing width + 13 mm plasterboard = 1239 mm)
 (example: C - 483 mm framing depth + 13 mm plasterboard = 496 mm)



Wall Board/Plasterboard Installation

WARNING! Risk of Fire! Comply with all minimum clearances to combustibles as specified.

Finishing Instructions

It is important to follow the framing and finishing instructions to ensure proper placement of fireplace into the surrounding framing/finishing materials. Wall board materials 13mm thick are specified in this installation manual to properly align with the optional finishing methods offered with this appliance. The ACC40LE/ACC40RE may be finished to the appliance opening with 13mm thick plasterboard.

- Ensure that the back and side clearances are maintained.

WARNING! Risk of Fire! Maintain specified air space clearances to combustibles. Inadequate air space could cause overheating and fire.

DO NOT use screws more than 20 mm length on the lower access cover panel. Longer screws may penetrate gas line or damage valve or electrical components.

Note: It is acceptable to use a high temperature silicone sealant to adhere plasterboard to lower access cover panel.

The appliance is designed to be used with 13mm wall sheathing materials such as drywall, plywood, wood composites, or non-combustible materials. Thicker materials may be used. Refer to facing and finishing details in this manual.

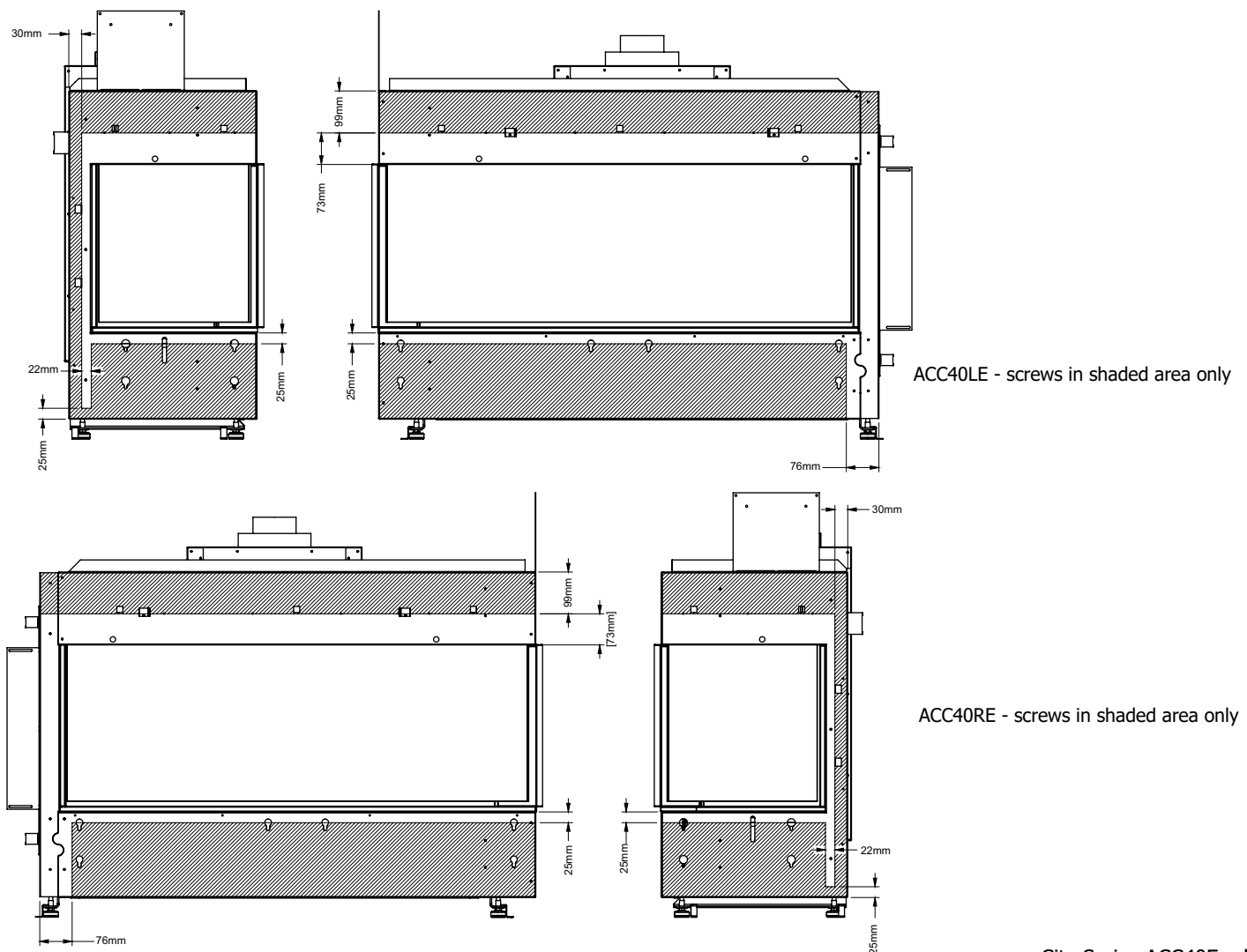
Facing Material

- Facing and/or finishing materials must never overhang into the glass opening.
- Facing materials may be combustible or non-combustible

WARNING! Risk of Fire! DO NOT apply combustible materials beyond the minimum clearances. Comply with all minimum clearances to combustibles as specified in this manual. Overlapping materials could ignite and will interfere with proper operation.

PAINTING

If desired finishing includes a painted wall, 100% acrylic latex, oil-based or standard acrylic paints may be used. Follow paint manufacturer's instructions for paint and primer application.



installation

Framing and Finishing Inset Installations

1. Frame in the enclosure for the unit with framing material

Note: When constructing the framed opening ensure there is sufficient access to install the gas lines, electrical. Also the wiring harness must be wall mounted using the receptacle provided with the appliance. The wiring harness will be located on the right hand side of the appliance if facing the unit from the front. This must be done prior to any finishing.

2. For exterior walls, insulate the enclosure to the same degree as the rest of the house, apply vapour barrier and plasterboard, as per local installation codes. (Do not insulate the fireplace itself.)

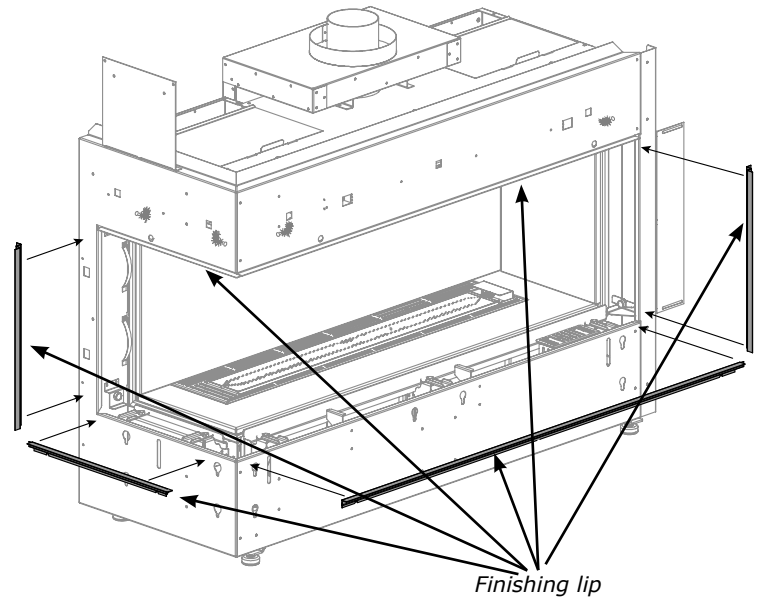
WARNING: Failure to insulate and add vapor barriers to the inside of the exterior wall will result in operational and performance problems including, but not limited to: excessive condensation on glass doors, poor flame package, carbon, blue flames etc. These are not product related issues.

3. **IMPORTANT:** The interior chase (back and sides) regardless where appliance is placed within the home also requires the use of plasterboard. All seams/joints MUST be sealed using plasterboard tape and mud. As this appliance has been designed with all hot air escaping through the enclosure using the ventilation grills, if hot air is trapped as a result of the hot air escaping through joints or other openings within the enclosure, this will change the clearances within the enclosure causing the enclosure to over heat.

Note that in all applications while there is a zero clearance to combustibles to the unit, all clearances to combustibles from the venting inside the chase still applies. Please see venting clearances in the specific product manual.

4. Combustible material (plasterboard, wood, wood panels, etc.) may be brought up to this appliance (top, bottom and sides)
5. Ensure that the material being used does not encroach anywhere in the area of the glass. This would cause dangerous operating conditions.
6. This appliance comes with a 13mm lip at top, sides and bottom to hide the ends of the drywall. The 13mm side and bottom, front and bottom side lips supplied with the appliance can alternatively be removed and replaced with J Style Trim or Metal Corner Bead purchased at your local hardware store to cover cut/exposed edges of the combustible facing material or any other finishing materials being used. Six (6) screws secure the bottom front lip. Two (2) secure the bottom side lips and 2 secure the side if deciding to remove these. These will be hidden so the outer panels (if installed) will need to be removed to access the screws. See outer panel removal in this manual.
7. This appliance can also be recessed (using combustible materials) with a hearth in front of the appliance. This can also extend to the top.
8. The wall behind the unit must be closed off.

**Combustible material may extend a minimum of 13mm and to a maximum of 130mm from the Front top. See mantle clearance chart for details. The base and side (with smaller glass) have no limit when it comes to how far the combustible material may extend out from the appliance. Ensure that no material encroaches anywhere in the area of the glass as these are defined by the finishing lip above, below and to the sides of this appliance.



Note: an offset screwdriver is provided with the appliance for ease of removal/ installation.

Optional Framing Kit Installation

To watch the framing kit installation video click here <http://bit.ly/2qvHIsE>

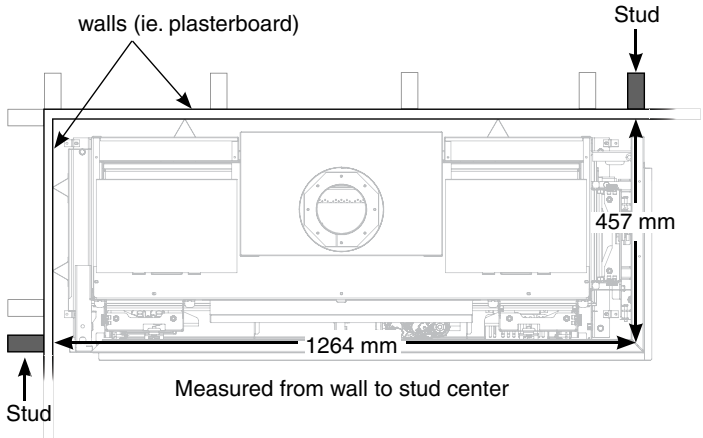
This framing kit is for the CC40LE/CC40RE. The parts are adaptable so the same kit can be installed on either the right or left side units.

NOTE: CC40RE SHOWN IN DIAGRAMS

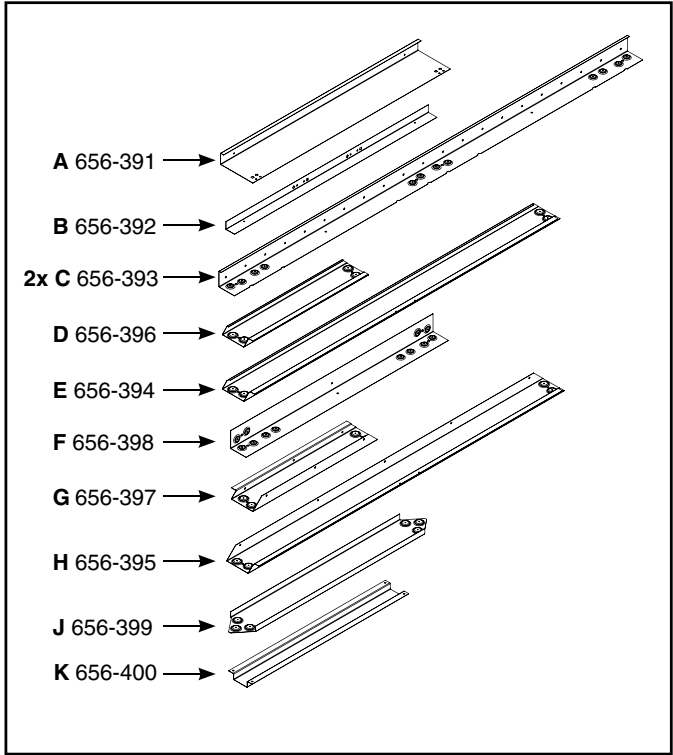
Installation is the same for CC40LE, please note that images will appear flipped.

- 1. This framing kit requires the installation of two studs at locations shown below. Be sure to install studs and walls to enclose chase (see Unit Manual) prior to moving the unit into position.

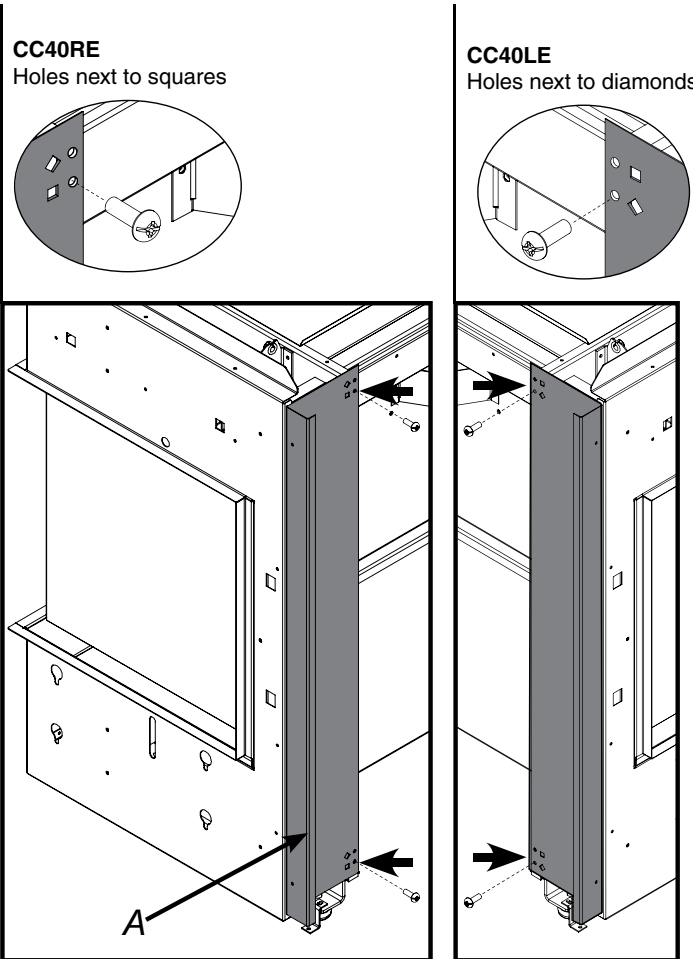
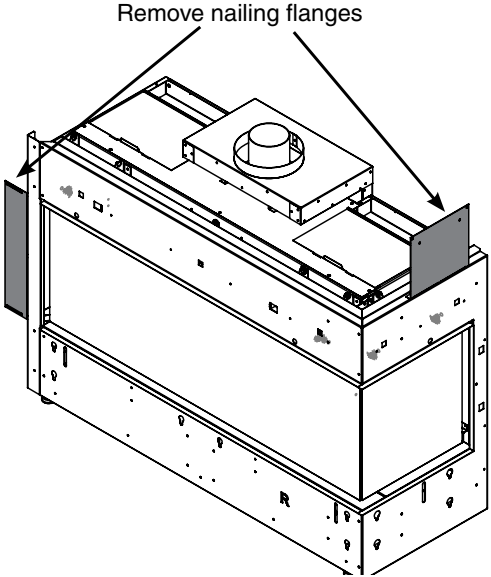
Shown for CC40RE



- 2. Begin with the unit away from the wall. Install part A to the back of the unit using holes next to appropriate shape (diamond or square depending on which unit you have) using the diagrams below. Attach to the back of the unit using 2 screws in locations shown below.



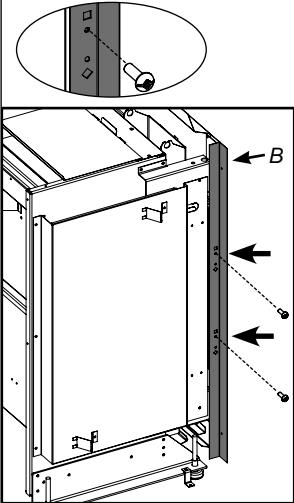
Unit nailing strips are not required and can be recycled when using the framing kit.



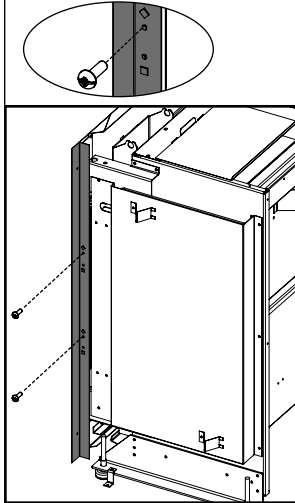
installation

3. Install B to the side of the unit, use the holes corresponding with the appropriate shape (diamond or square depending on which unit you have) using the diagrams below. Attach B to the side of the unit and install 2 screws in locations shown below.

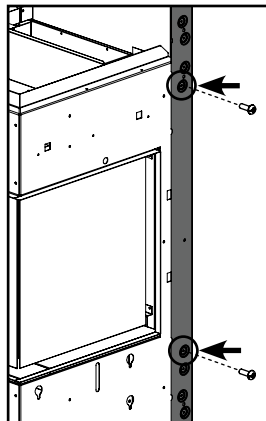
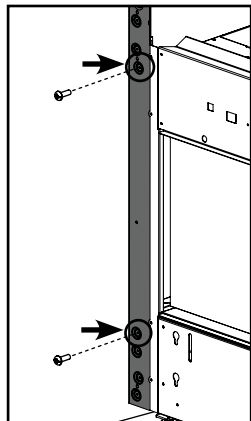
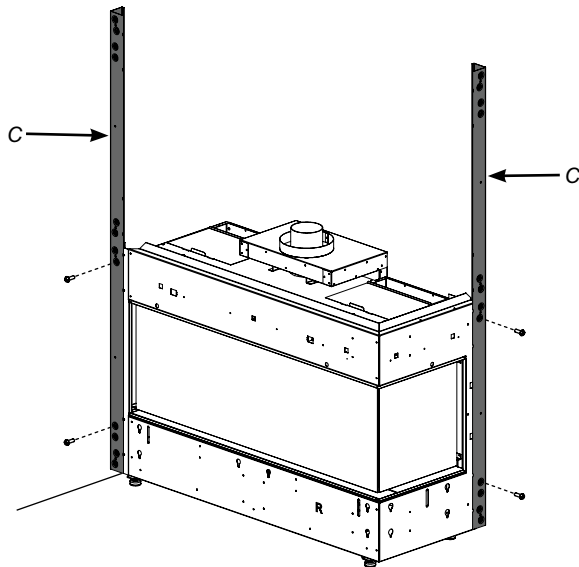
CC40RE
Holes next to squares



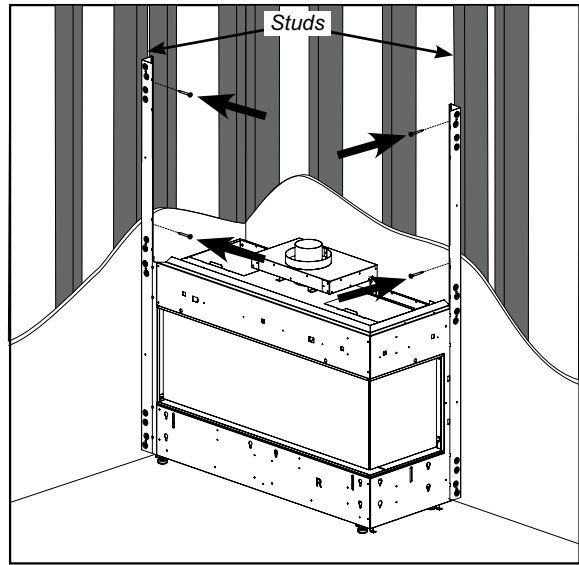
CC40LE
Holes next to diamonds



4. Install 2 x part C's onto parts A & B respectively, identify the holes to be used, attach to the unit with 2 screws each.

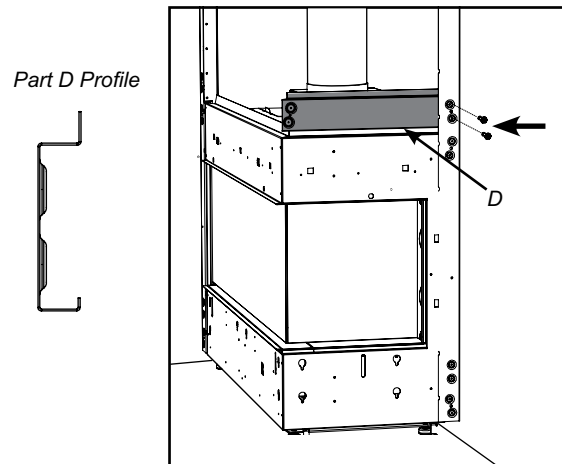


5. Slide unit against wall and line up part C's with studs in the wall. Attach both part C's to studs with at least two screws each; one at the top, and one near the unit (as seen below).

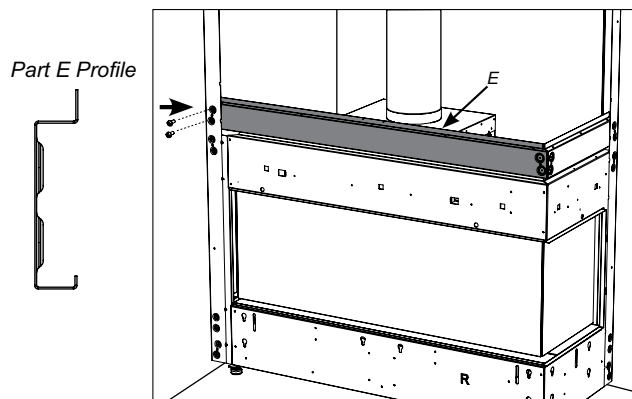


6. Install venting before proceeding further with framing kit construction. Refer to manual for venting instructions.

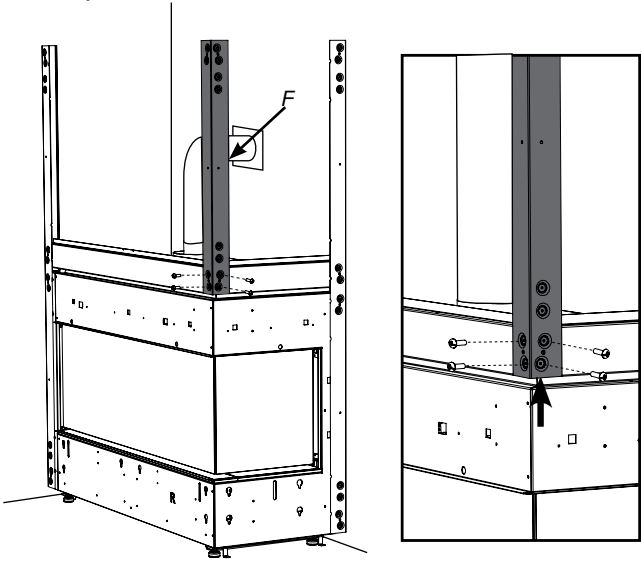
7. Identify D, attach to back corner C with 2 screws as shown below.



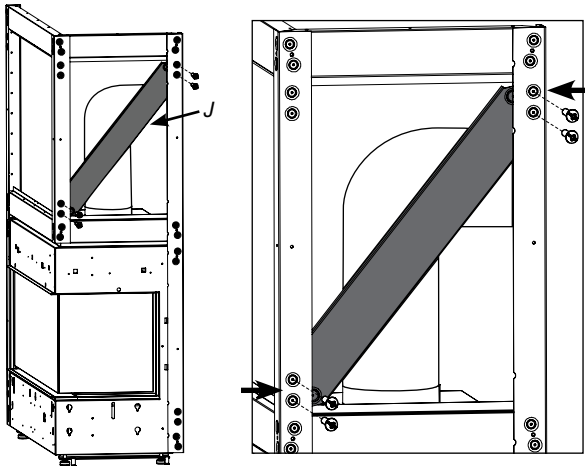
8. Identify E (see diagram below), attach E to front corner C with 2 screws as shown below.



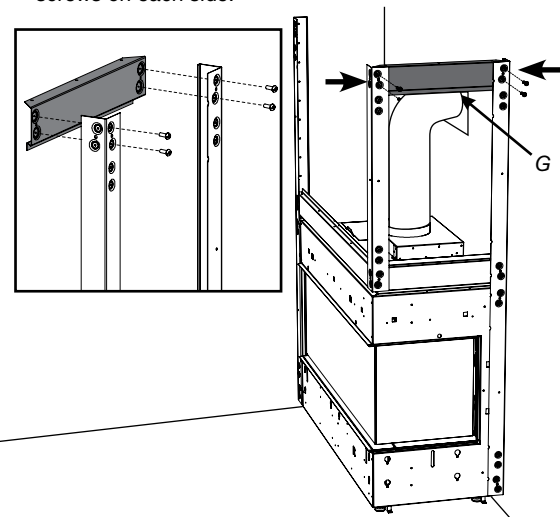
9. Identify F and attach to both E and D with 2 screws on each side.



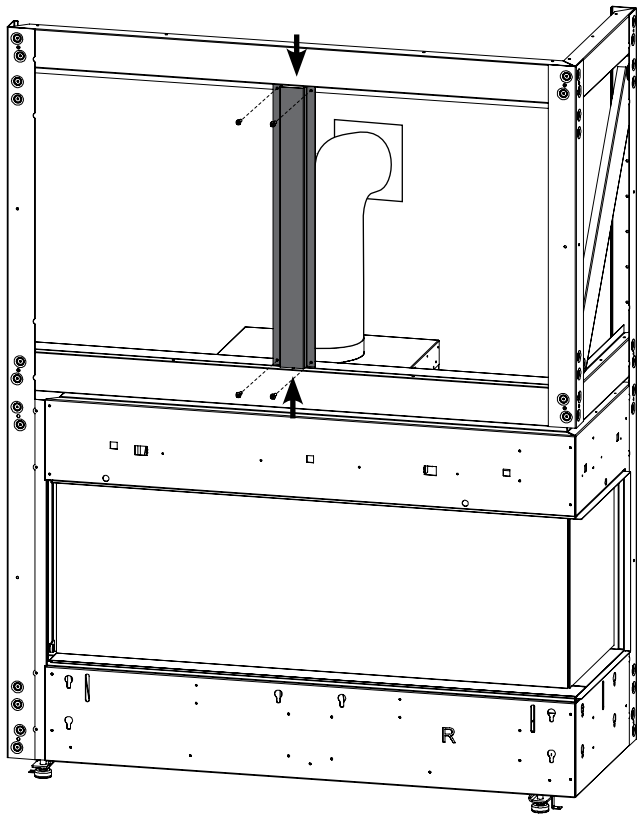
12. Identify J (diagonal support) and attach to back corners C and front corner F with 2 screws on each side.



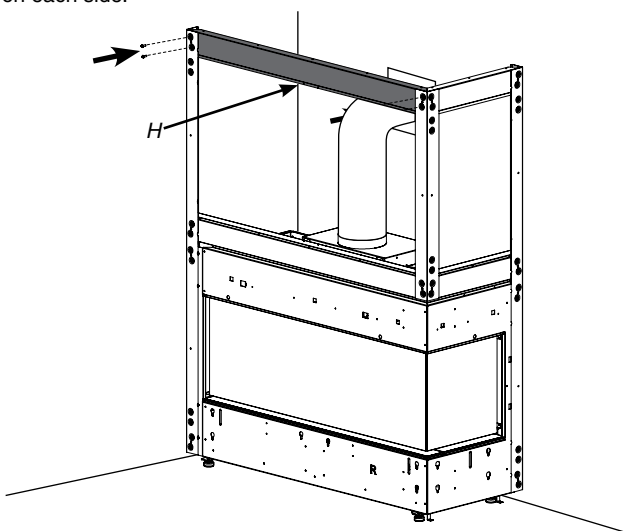
10. Identify G and attach to back corner C and front corner F with 2 screws on each side.



13. Attach K (center support) to E and H with 2 screws each.



11. Identify H and attach to both front corners C and F with 2 screws on each side.

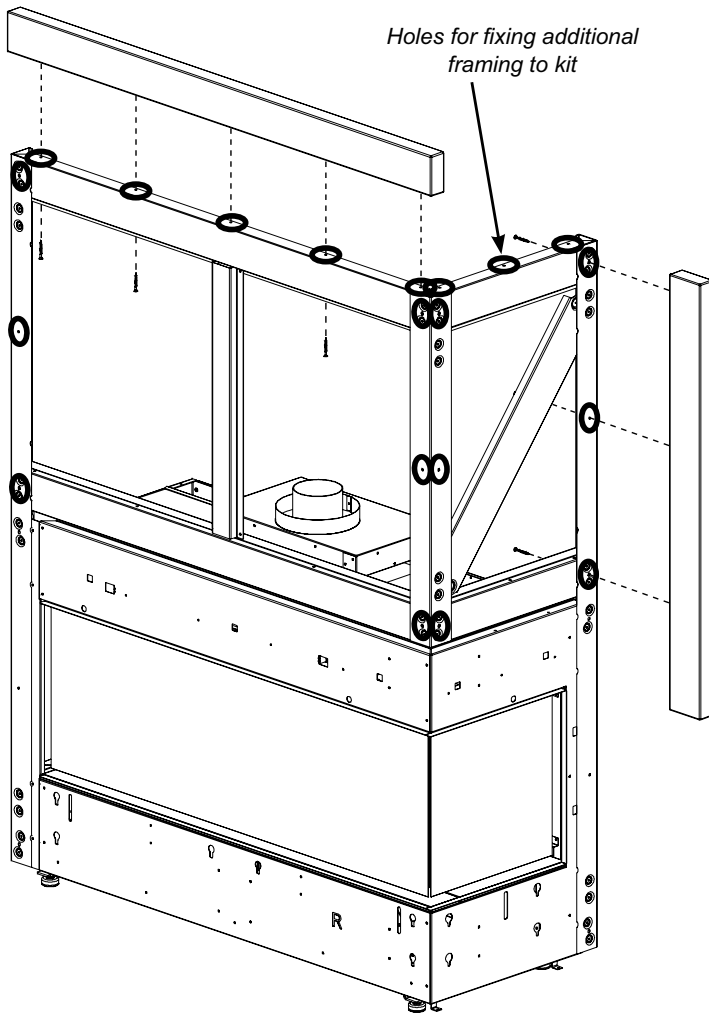


installation

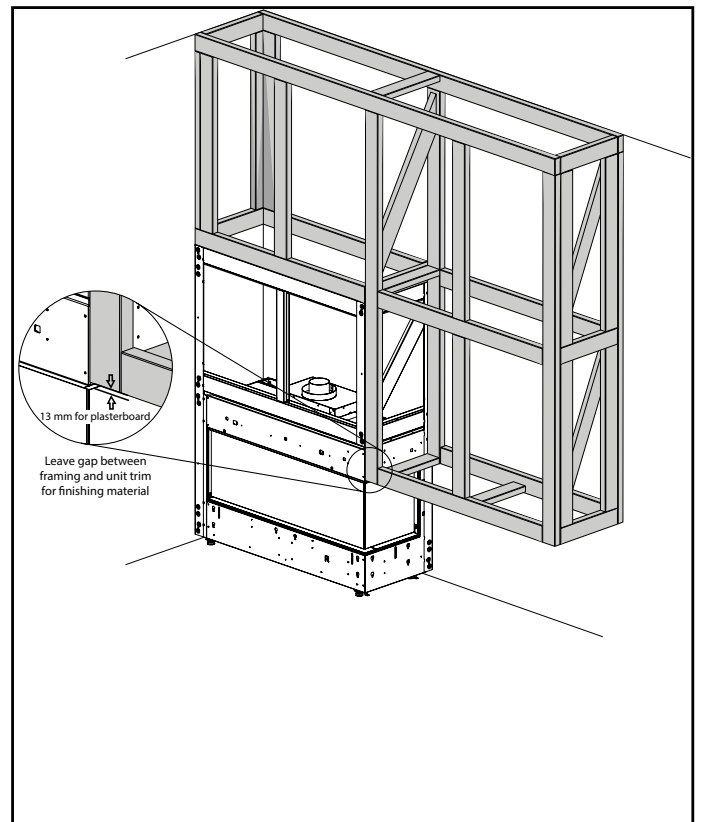
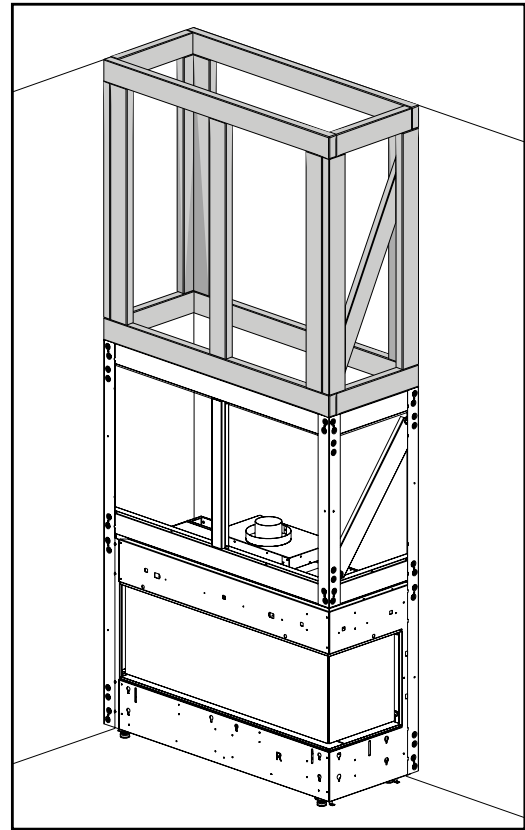
Building Additional Framing Off of the Framing Kit

This framing kit is designed as a base in which to build additional framing. Studs can be affixed to all outer faces using the holes identified below. This will provide a stable surface that is flush with the front of the fireplace, ready for or plasterboard or other finishing material.

The framing must be strong enough to support the weight of all finishing material and must not put any weight on the fireplace.

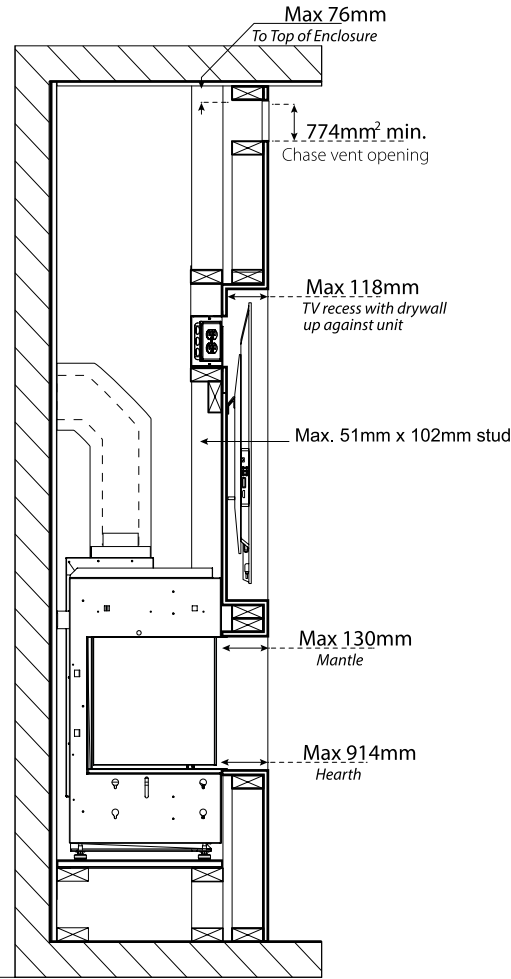


Potential Wood Framing installs



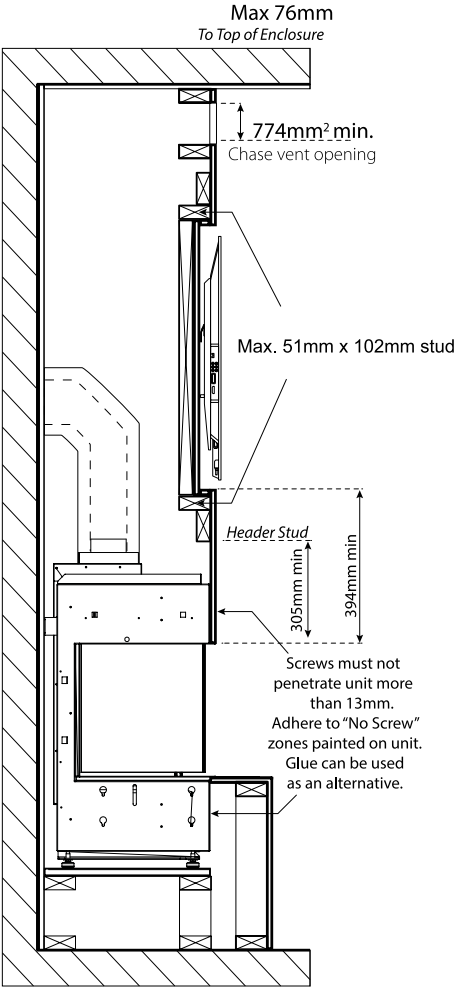
TV Recessed Into Wall - Typical Installs

Maximum TV Recess



118mm maximum TV recess using 13mm drywall

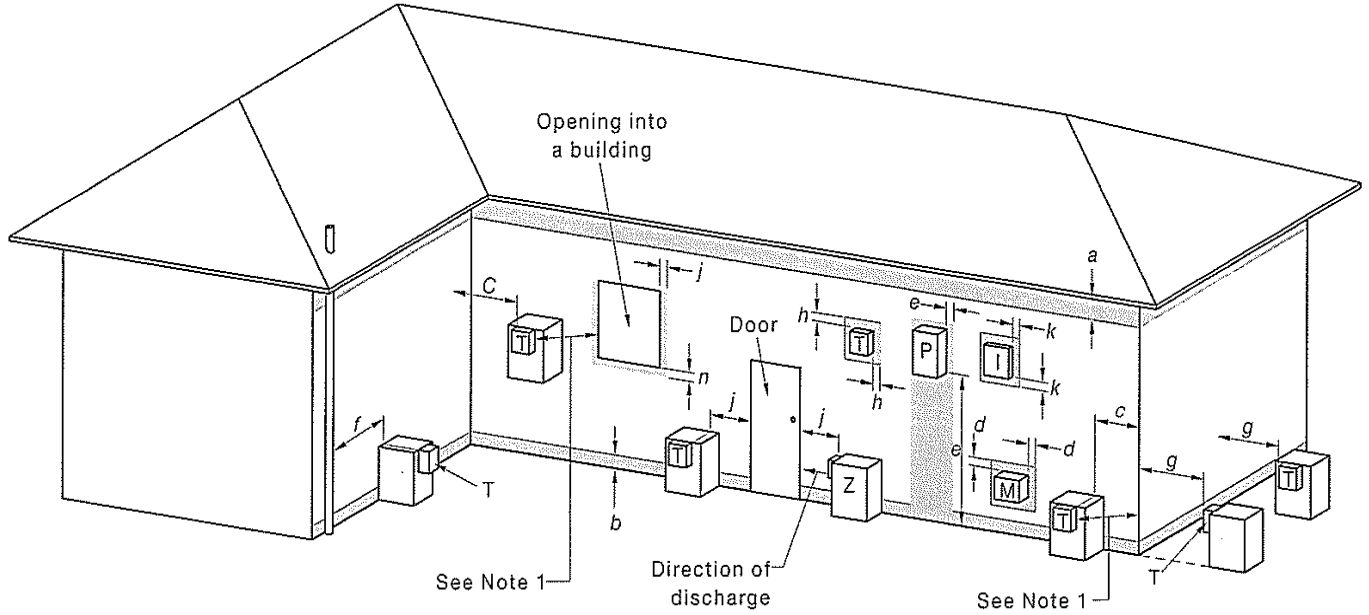
TV Flush with Hearth



Flush wall TV recess using 13mm drywall

installation

Exterior Flue Termination Locations



I = Mechanical air inlet M = Gas meter P = Electricity meter or fuse box T = Flue terminal Z = Fan-assisted appliance only


 Shading indicates prohibited area for flue terminals

FIGURE 6.2 (in part): LOCATION OF FLUE TERMINALS OF BALANCED FLUE AS/NZ 5601, ROOM-SEALED, FAN ASSISTED OR OUTDOOR APPLIANCE

Ref.	Item	Minimum clearances (mm)	
		Natural Draught	Fan Assisted
<i>a</i>	Below eaves, balconies and other projections:		
	<i>Appliances</i> up to 50 MJ/h input	300	200
	<i>Appliances</i> up to 50 MJ/h input	500	300
<i>b</i>	From the ground, above a balcony or other surface*	300	300
<i>c</i>	From a return wall or external corner*	500	300
<i>d</i>	From a <i>gas meter</i> (M) (see Note 5) (see Clause 5.11, 5.9 for vent terminal location of regulator) (see Table 6.7 for New Zealand requirements)	1000	1000
<i>e</i>	From an <i>electricity meter</i> or <i>fuse box</i> (P) [†] (see Note 5)	500	500
<i>f</i>	From a drain or soil pipe	150	75
<i>g</i>	Horizontally from any building structure* or obstruction facing a terminal	500	500
<i>h</i>	From any other <i>flue terminal</i> , <i>cowl</i> , or combustion air intake	500	300
<i>j</i>	Horizontally from an openable window, door, non-mechanical air inlet, or any other opening into a building with the exception of sub-floor ventilation:		
	<i>Appliances</i> up to 150MJ/h input*	500	300
	<i>Appliances</i> over 150MJ/h input up to 200 MJ/h input*	1500	300
	<i>Appliances</i> over 200MJ/h input up to 250 MJ/h input**	1500	500
	<i>Appliances</i> over 250MJ/h input*	1500	1500
	All fan-assisted <i>flue appliances</i> , in the direction of discharge	-	1500
<i>k</i>	From a mechanical air inlet, including a spa blower	1500	1000
<i>n</i>	Vertically below an openable window, non-mechanical air inlet, or any other opening into a building with the exception of sub-floor ventilation:		
	Space heaters up to 50MJ/h input	150	150
	Other appliances up to 50 MJ/h input	500	500
	Appliance over 50 MJ/h input and up to 150 MJ/h input	1000	1000
	Appliances over 150 MJ/h input	1500	1500
<p>* Unless <i>appliance</i> is <i>certified</i> for closer installation. † Prohibited area below electricity meter or fuse box extends to ground level.</p> <p>NOTES: 1 Where dimension c, j or k cannot be achieved an equivalent horizontal distance measured diagonally from the nearest discharge point of the terminal to the opening may be deemed by the <i>Technical Regulator</i> to comply. 2 See Clause 6. 9. 4 for restriction on the <i>flue terminal</i> under a covered area. 3 See Figure J3 for clearances required from a flue terminal to an LP Gas cylinder. A flue terminal is considered to be a source of ignition. 4 For appliance not addressed above acceptance should be obtained from the Technical Regulator. 5 Minimum clearance d and e also apply to any combustion air intake openings of appliances.</p>			

installation

Wall Mount On / Off Switch and Battery Holder Installation

Required for all installations

IMPORTANT INSTALLATION NOTE:

The Battery Holder must be placed inside the supplied (Low Voltage) junction type wall box and installed into the wall only.

**DO NOT INSTALL WITHIN THE CONFINES OF THE FIREPLACE
SWITCH MUST BE ACCESSIBLE**

Battery Holder Installation

1. Install the low voltage junction box to the framing, at desired location within 3.2m from fireplace.
2. Feed the 6 pin connector wiring harness through the opening at back of junction box. The wiring harness is located near the gas valve and will need to be routed to the exterior of the fireplace from either the left or right hand side prior to finishing.
3. Connect the 6 pin connector to the back of the Battery Holder.
4. Install the Battery Holder in the Low Voltage Junction box.
5. Install batteries only if 240 volt power will not be used. Batteries are only used if power is lost within the home and serve as a secondary power source. Insert the 4 AA type batteries in the battery compartment with the correct polarity.
6. Place the slider into the cover plate.
7. Put the Battery Holder switch in the "OFF" position, to allow correct lineup for slider switch.
8. Make sure the Battery Holder and cover plate words "ON" and "UP" are on the same side.
9. Align the slider with the switch on the Battery Holder and couple the switch into the slider.
10. Align the screw holes.
11. Using the two (2) screws provided secure the cover plate to the Battery Holder.
12. For coding instructions, see full details in this manual.



Low Voltage Junction Box

Proflame Battery Holder

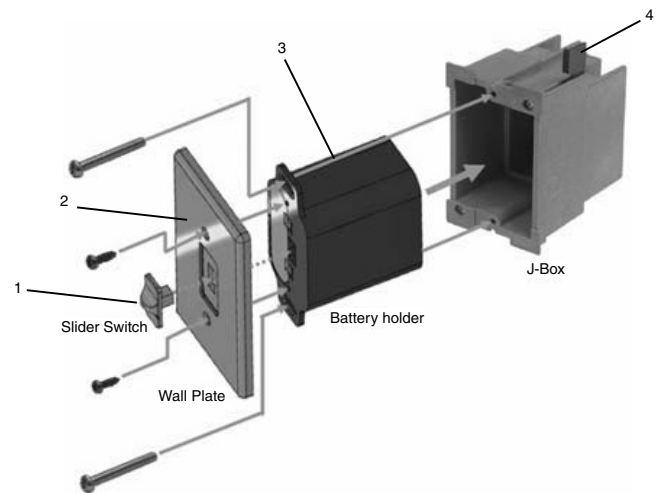
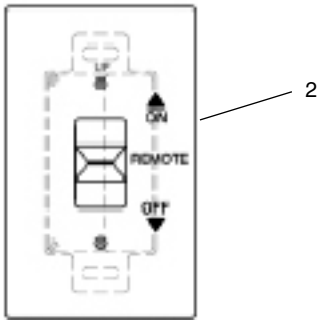
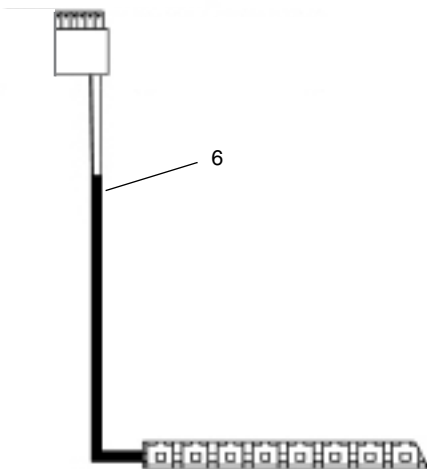


Diagram 1



Item	Part No.	Description
1	N/A	Slider Switch (included with wall plate)
2	911-335	Wall Plate - White
	911-343	Wall Plate - Black
3	911-337/P	Battery Holder
4	N/A	J-Box
5	910-369	Low Voltage Junction Box
6	911-181	Battery Holder Wire Harness

Flue Restrictor Position

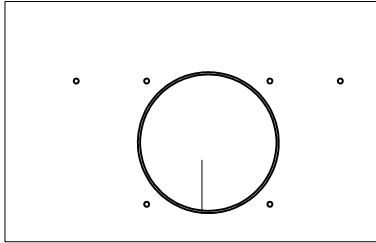
Flue restriction is required for certain venting installations, see the diagrams in the "Venting Arrangements" section to determine if they are required for your installation.

The Flue Restrictor plate is packed in the instruction manual package.

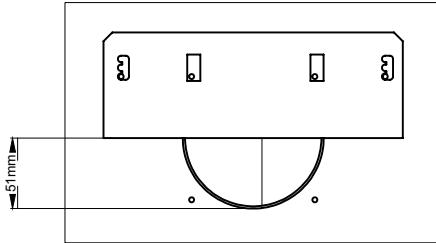
To set the flue restriction as indicated in the venting arrangements diagrams, refer to the following instructions;

- 1. Remove the safety glass and firebox glass - see instructions in this manual.
- 2. Remove the screws that hold the flue restrictor plate in place (see Diagram 1)
- 3. Adjust the flue restrictor plate to the required flue restrictor position as per the diagrams shown.
- 4. Once the flue restrictor plate is in the required position, secure with screws.

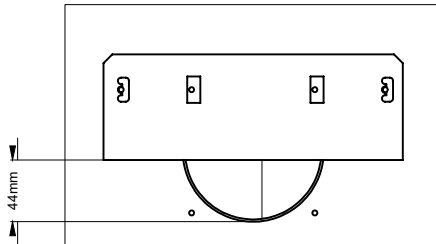
Flue Restrictor Positions:



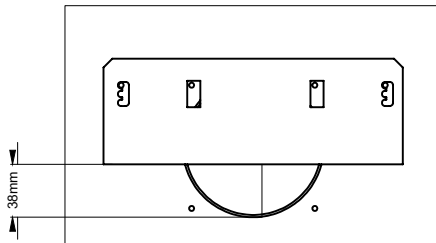
Set 0 (Full open) Factory set



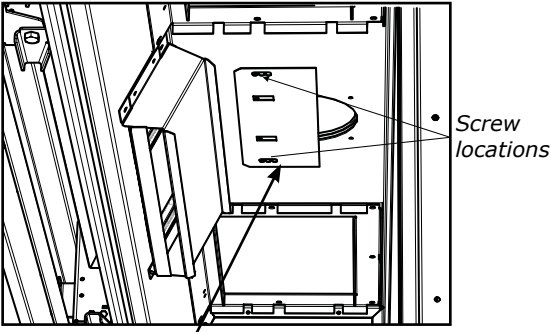
Set 1 (Vent restrictor at 51mm)



Set 2 (Vent restrictor at 44mm)



Set 3 (Vent restrictor at 38mm)



Flue restrictor location - inside top of firebox
Diagram 1

Screw locations

installation

Horizontal Terminations

Flex Flue 102mm x 175mm

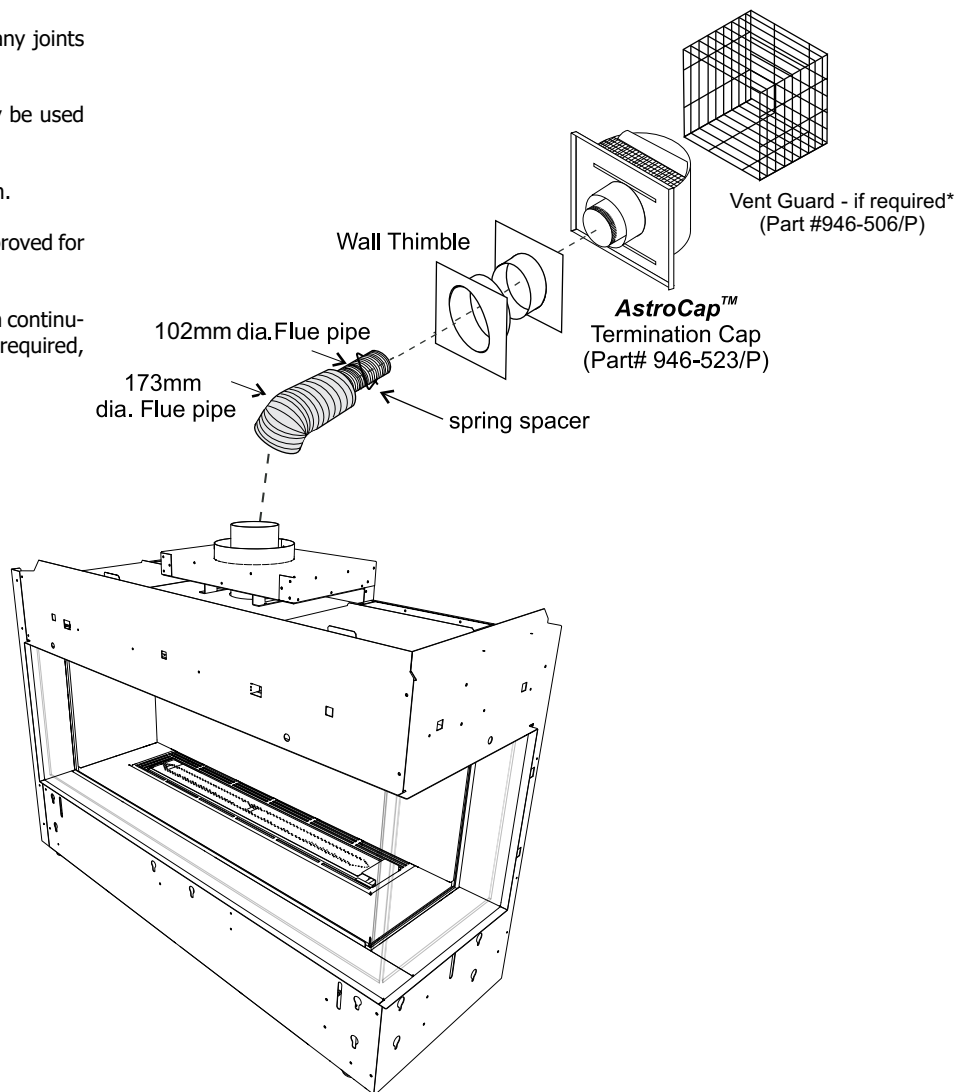
These venting systems, in combination with the ACC40LE/ACC40RE Direct Flue Gas Fireplace, have been tested and listed as a direct flue heater system by Warnock Hersey/ Intertek. The location of the termination cap must conform to the requirements in the Flue Terminal Locations diagram in "Exterior Flue Termination Locations" section.

Regency® Direct Flue (Flex) System Termination Kits includes all the parts needed to install the ACC40LE/ACC40RE using a flexible flue.

FPI Kit #	Length	Contains:
#946-515	1.2m	<ol style="list-style-type: none"> 1. 175mm flexible outer liner (Kit length) 2. 102mm flexible inner liner (Kit length) 3. spring spacers 4. thimble 5. AstroCap termination cap 6. screws
#946-516	3m	<ol style="list-style-type: none"> 7. tube of Mill Pac 8. plated screws 9. S.S. screws #8 x 38mm drill point

Notes:

1. Liner sections should be continuous without any joints or seams.
2. Only Flex pipe purchased from Regency® may be used for Flex installations
3. Horizontal vent must be supported every 0.9m.
4. Regency® Direct Vent System (Flex) is only approved for horizontal terminations.
5. Flex system can only be used up to a maximum continuous vent length of up to 3m. If longer runs are required, rigid pipe must be used.



Venting Introduction

The ACC40LE/ACC40RE uses the "balanced flue" technology Co-Axial system. The inner liner vents products of combustion to the outside while the outer liner draws outside combustion air into the combustion chamber thereby eliminating the need to use heated room air for combustion and losing warm room air up the chimney.

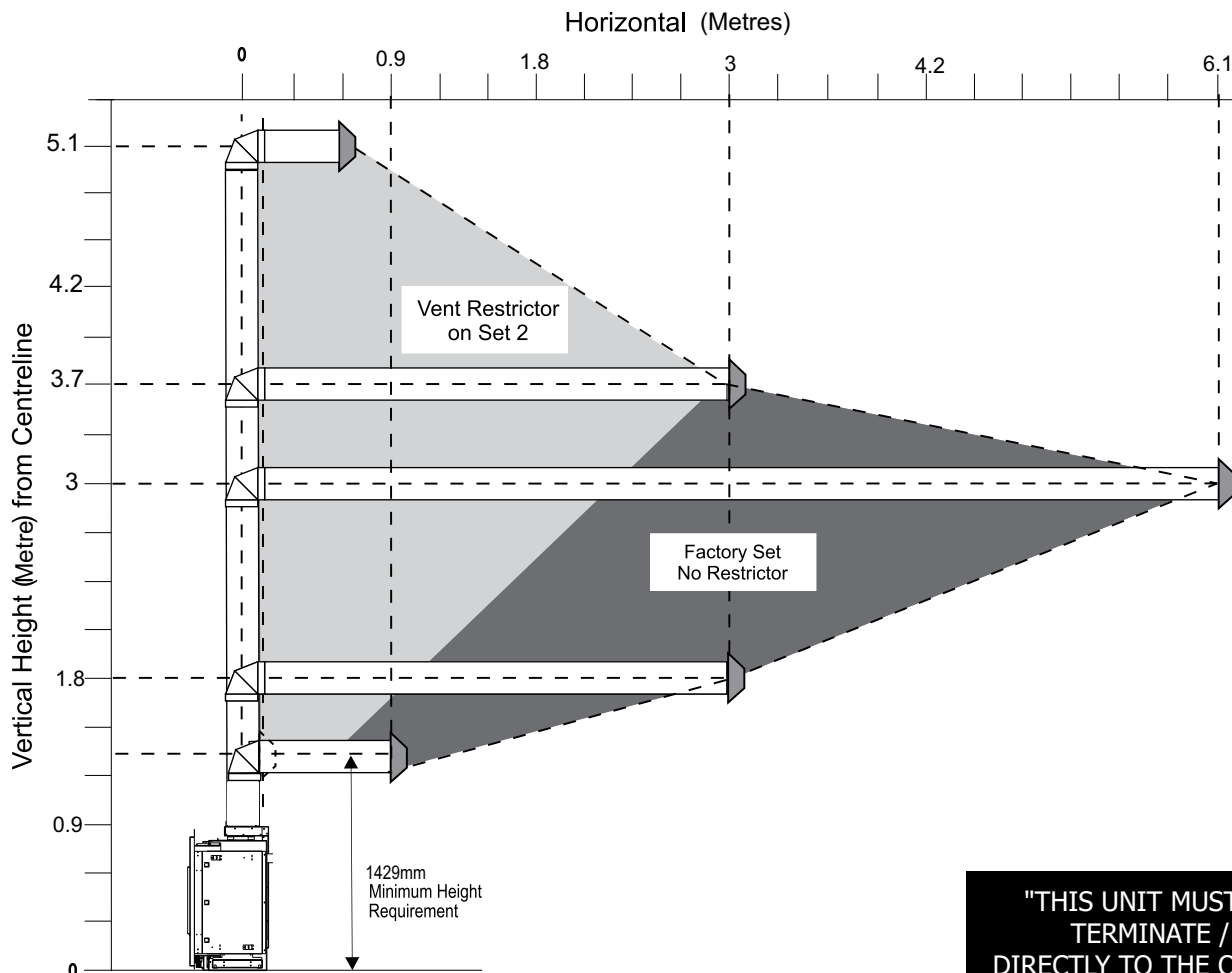
Note: These flue pipes must not be connected to any other appliance.

The gas appliance and flue system must be vented directly to the outside of the building, and never be attached to a chimney serving a separate solid fuel or gas burning appliance. Each direct flue gas appliance must use it's own separate flue system. Common flue systems are prohibited.

Flueing Arrangement for Horizontal Terminations

The diagram shows all allowable combinations of vertical runs with horizontal terminations, using one 90° (two 45° elbows equal one 90° elbow).

Note: Must use optional rigid pipe adapter (Part# 510-994) when using Rigid Pipe Flueing Systems.



Flue RESTRICTOR SETTING:

Flue restrictor factory set at Set 0.

Refer to the "Flue Restrictor Position" section for details on how to change the flue restrictor from the factory setting of Set 0 to Set 2 if required.

Note: For horizontal terminations the Regency Direct Flue Flex System may be used for installations with a maximum continuous flue length of up to 3m. If longer runs are required, rigid pipe must be used.

- Maintain clearances to combustibles as listed in "Clearances" section
- Horizontal flue must be supported every 0.9m.
- Firestops are required at each floor level and whenever passing through a wall.
- A flue guard should be used whenever the termination is lower than the specified minimum or as per local codes.
- Flex system can only be used up to 3m - otherwise rigid flueing must be used.

installation

Horizontal Terminations Rigid Pipe 102mm x 175mm

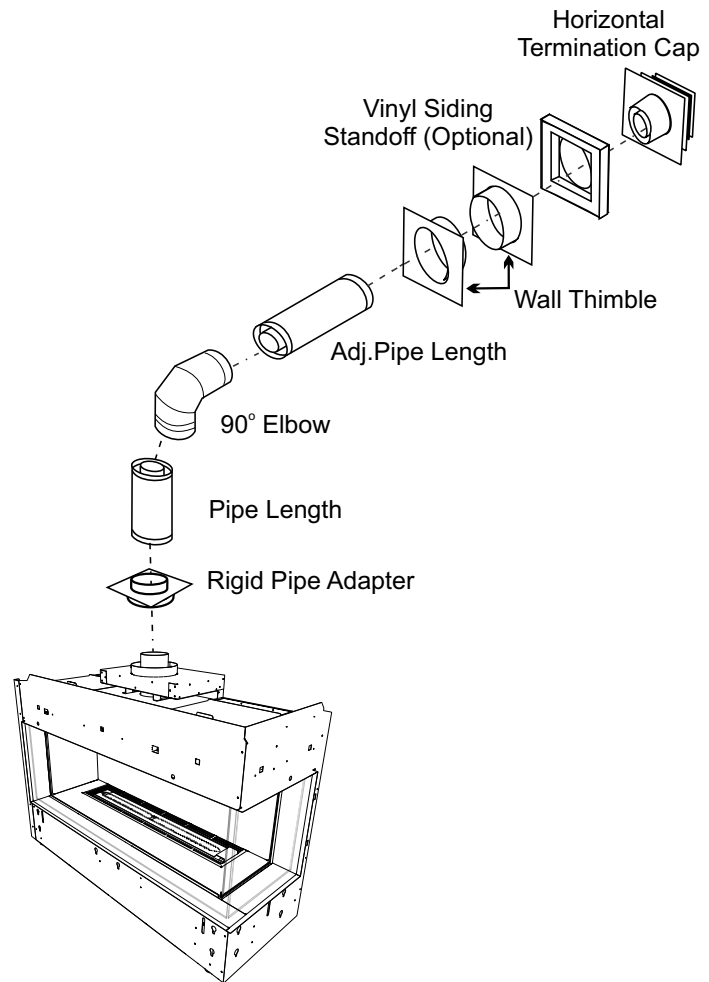
The minimum components required for a basic horizontal termination are:

- 1 Horizontal Termination Cap
- 1 Rigid Pipe Adaptor (510-994)
- 1 Wall Thimble
- 1 Length of pipe to suit wall thickness (see chart)

Wall thickness is measured from the back standoffs to the inside mounting surface of termination cap. For siding other than vinyl furring strips may be used instead of the vinyl siding standoff, to create a level surface to mount the flue terminal. The Terminal must not be recessed into siding. Measure the wall thickness including furring strips.

If a Vinyl Siding Standoff is required (it must be used with vinyl siding), measure to outside surface of wall without siding and add 51mm.

Flat Wall Installation	
Wall Thickness (mm)	Vent Length Required (mm)
102mm-140mm	152mm
178mm-216mm	229mm
254mm-292mm	305mm
229mm-368mm	279mm-371mm Adj. Pipe
381mm-597mm	432mm-610mm Adj. Pipe



WARNING:

Do not combine venting components from different venting systems.

Use of the the AstroCap™ and FPI Riser is acceptable with all systems.

This product has been evaluated by Intertek for using a Rigid Pipe Adaptor in conjunction with DuraVent Direct-Flue, Selkirk Direct-Temp, Ameri Flue Direct Venting, ICC Excel Direct, Olympia Chimney and Security Secure Flue systems. Use of these systems with the Rigid Pipe adaptor is deemed acceptable and does not affect the Intertek WHI listing of components.

When using Rigid Flue other than Simpson Dura-Flue, 3 screws must be used to secure rigid pipe to adaptor.

The FPI AstroCap™ and FPI Riser Flue terminal are certified for installations using FPI venting systems as well as Simpson Dura-Vent® Direct Flue, American Metal Products Ameri Flue Direct Flue, Security Secure Vent®, ICC Excel, Selkirk Direct-Temp and Olympia Chimney. AstroCap™ is a proprietary trademark of FPI Fireplace Products International Ltd. Dura-Vent® and Direct Flue are registered and/or proprietary trademarks of Simpson Dura-Flue Co. Inc.

Horizontal Terminations Rigid Pipe 102mm x 175mm

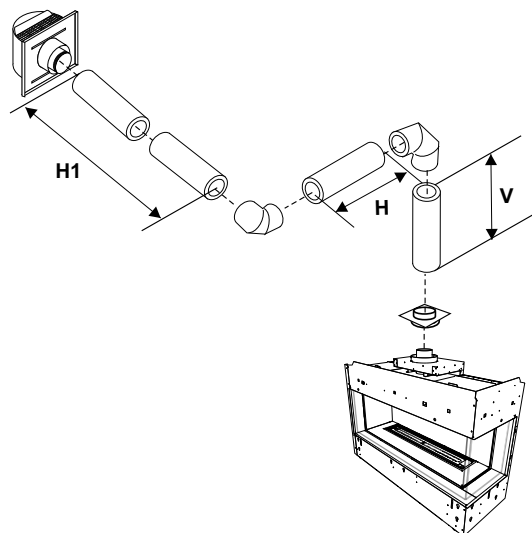
The diagrams below show examples of horizontal termination arrangements using one, two, or three 90° elbows (two 45° elbows equal one 90° elbow)

1. A maximum of three 90° elbows are permitted.
 2. Minimum distance between elbows is 305mm.
- Maintain clearances to combustibles as listed in the "Clearances" section.
 - Horizontal flue must be supported every 0.9m.
 - Firestops are required at each floor level and whenever passing through a wall.
 - Must use optional rigid pipe adaptor (Part# 510-994) when using rigid pipe flue systems.
 - A flue guard should be used whenever the termination is lower than the specified minimum or as per local codes.
 - Flex system can only be used up to 3m - otherwise rigid flueing must be used.

Horizontal Venting with Two (2) 90° Elbows

One 90° elbow = Two 45° elbows.

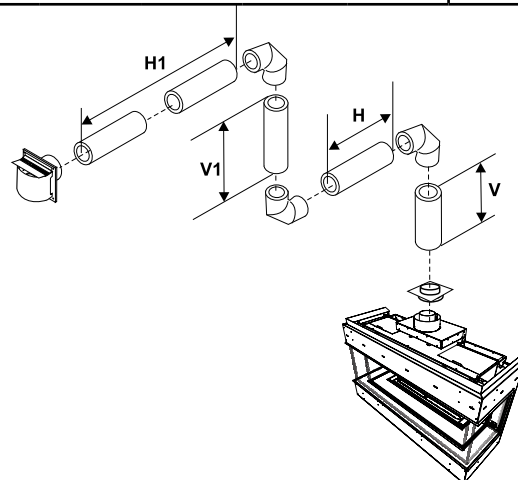
Option	V	H + H1	With these options, maximum total pipe length is 9.1m with minimum of 1.8m feet total vertical and maximum 2.4m total horizontal. Please note minimum 0.3m between 90° elbows is required.
	Min.	Max.	
A)	0.3m	0.6m	
B)	0.6m	1.2m	
C)	0.9m	1.5m	
D)	1.2m	1.8m	
E)	1.5m	2.1m	
F)	1.8m	2.4m	
Restrictor Set 0 - Factory Setting			



Horizontal Venting with Three (3) 90° Elbows

One 90° elbow = Two 45° elbows.

Option	V	H	V + V1	H + H1	With these options, max. total pipe length is 9.1m with min. of 3.6m total vertical and max. 2.7m total horizontal. Please note min. 0.3m between 90° elbows is required.
	Min.	Max.	Min.	Max.	
A)	0.3m	0.3m	0.6m	0.6m	
B)	0.3m	0.6m	0.9m	0.9m	
C)	0.6m	0.6m	1.5m	1.2m	
D)	0.9m	0.6m	2.1m	1.5m	
E)	1.2m	0.9m	2.7m	1.8m	
F)	1.5m	1.2m	3m	2.1m	
G)	1.8m	1.5m	3.3m	2.4m	
H)	2.1m	1.8m	3.6m	2.7m	
Restrictor Set 0 - Factory Setting					



installation

Vertical Terminations Rigid Pipe 102mm x 175mm

The minimum components required for a basic vertical termination are:

- 1 Vertical Termination Cap
- 1 Rigid Pipe Adaptor (510-994)
- 1 Ceiling Firestop
- 1 Flashing
- 1 Storm Collar
- 1 Length of pipe to suit wall thickness (see chart)

Galvanized pipe is desirable above the roofline due to its higher corrosion resistance. Continue to add pipe sections through the flashing until the height of the flue cap meets the minimum height requirements specified in diagram 2 or local codes. Note that for steep roof pitches, the vertical height must be increased. A poor draft, or down drafting can result from high wind conditions near big trees or adjoining roof lines, in these cases, increasing the flue height may solve the problem.

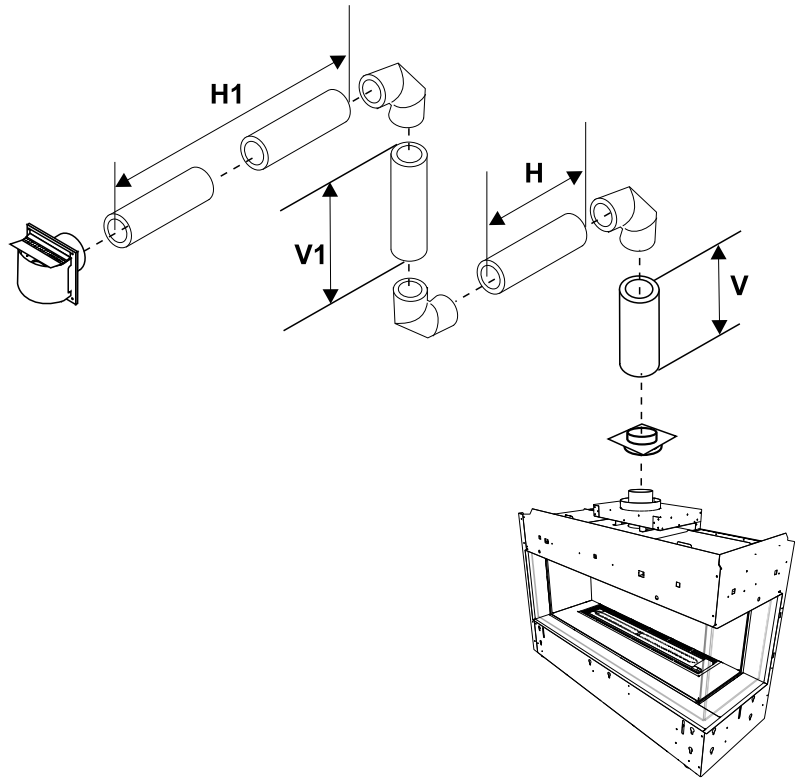


Diagram 1

Roof Pitch	Minimum Flue Height
	Meters
flat to 7/12	0.61
over 7/12 to 8/12	0.61
over 8/12 to 9/12	0.61
over 9/12 to 10/12	0.76
over 10/12 to 11/12	0.99
over 11/12 to 12/12	1.22
over 12/12 to 14/12	1.52
over 14/12 to 16/12	1.83
over 16/12 to 18/12	2.13
over 18/12 to 20/12	2.29
over 20/12 to 21/12	2.44

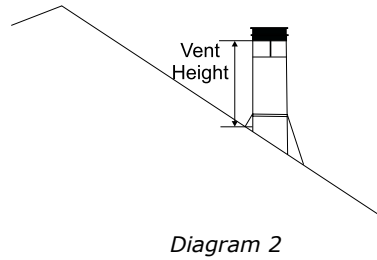


Diagram 2

WARNING:

Do not combine venting components from different venting systems.

Use of the the AstroCap™ and FPI Riser is acceptable with all systems.

This product has been evaluated by Intertek for using a Rigid Pipe Adaptor in conjunction with Duravent Direct-Flue, Selkirk Direct-Temp, Ameri Flue Direct Venting, ICC Excel Direct, Olympia Chimney, and Security Secure Flue systems. Use of these systems with the Rigid Pipe adaptor is deemed acceptable and does not affect the Intertek WHI listing of components.

When using Rigid Flue other than Simpson Dura-Flue, 3 screws must be used to secure rigid pipe to adaptor.

The FPI AstroCap™ and FPI Riser Flue terminal are certified for installations using FPI venting systems as well as Simpson Dura-Vent® Direct Flue, American Metal Products Ameri Flue Direct Flue, Security Secure Vent®, ICC Excel, Selkirk Direct-Temp and Olympia Chimney. AstroCap™ is a proprietary trademark of FPI Fireplace Products International Ltd. Dura-Vent® and Direct Flue are registered and/or proprietary trademarks of Simpson Dura-Flue Co. Inc.

Flueing Arrangement for Vertical Terminations

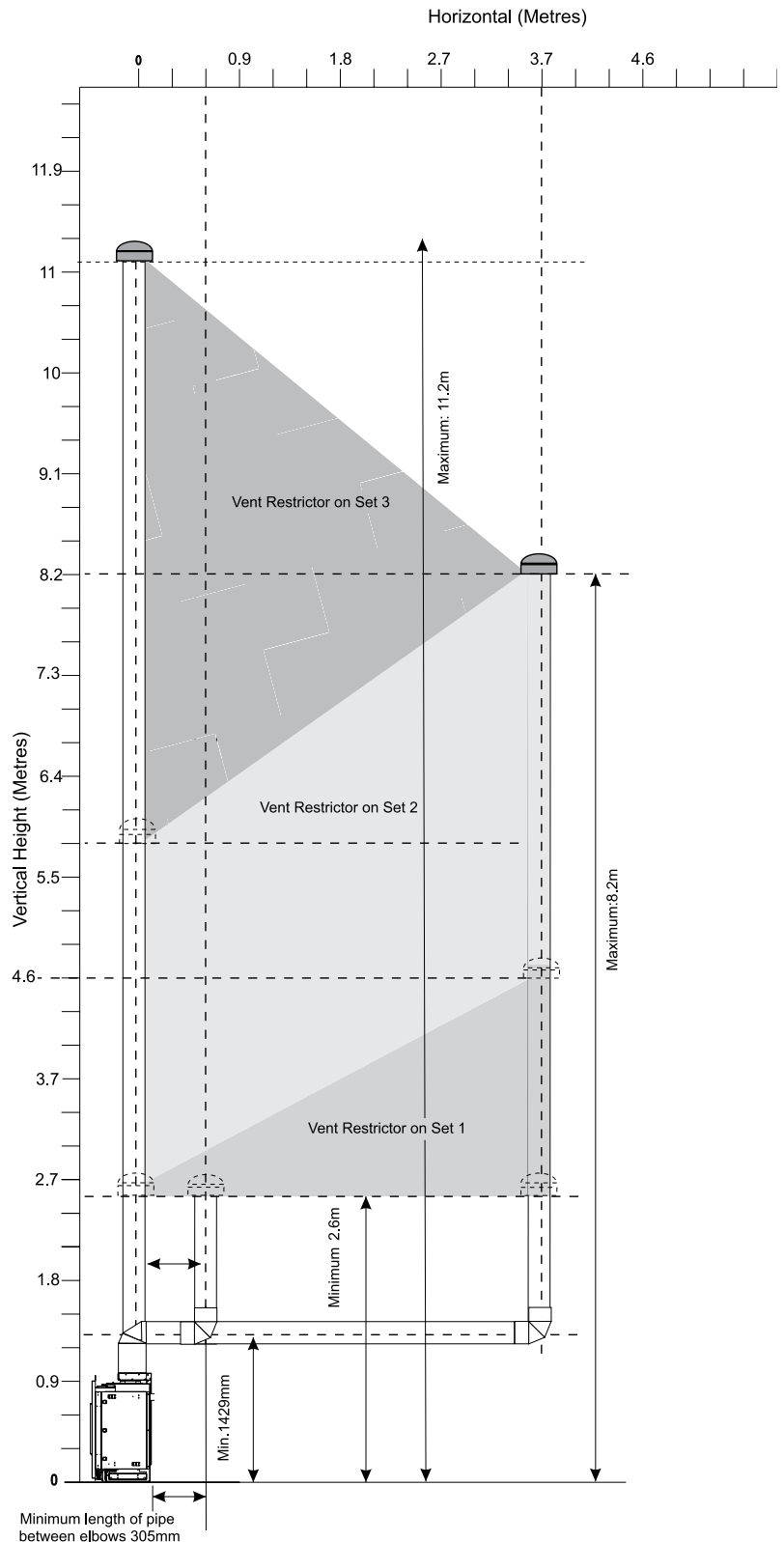
Vertical Flueing with Straight Vertical Flueing and or with a max. of two (2) 90° Elbows (1 - 90° = 2 - 45°)

The shaded area in the diagram shows all allowable combinations of straight vertical and offset to vertical terminations, using two 90° elbows, with **Rigid Pipe Flueing Systems**.

Two 45° elbows equal to one 90° elbow.

- Vent must be supported at offsets.
- Minimum distance between elbows is 305mm.
- Maintain clearances to combustibles as listed in the "Clearances" section.
- Horizontal vent must be supported every 0.9m.
- Firestops are required at each floor level and whenever passing through a wall.
- Horizontal vent must be supported every 0.9m.
- Firestops are required at each floor level and whenever passing through a wall.
- Must use optional rigid pipe adaptor (Part# 510-994) when using rigid pipe vent systems.
- Refer to the "Vent Restrictor Position" section for details on how to change the vent restrictor from the factory setting of Set 0 through to Set 3 if required.

**"THIS UNIT MUST ALWAYS
TERMINATE / FLUE
DIRECTLY TO THE OUTDOORS."**



installation

Vertical Terminations

Rigid Pipe 102mm x 175mm

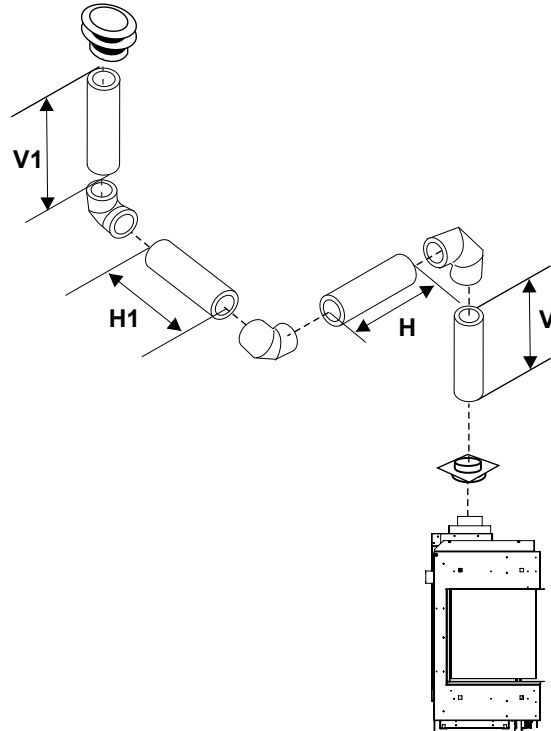
- Two 45° elbows equal to one 90° elbow. Maximum of six 45° elbows allowed.
- Flue must be supported at offsets.
- Minimum distance between elbows is 305mm.
- Maintain clearances to combustibles as listed in the "Clearances" section.
- Horizontal flue must be supported every 0.9m.
- Firestops are required at each floor level and whenever passing through a wall.
- Must use optional rigid pipe adaptor (Part# 510-994 when using rigid pipe flue systems)

Vertical Flueing with Three (3) 90° Elbows

One 90° elbow = Two 45° elbows.

Option	V	H + H1	V + V1	With these options, max. total pipe length is 9.1m with min. of 3m total vertical and max. 2.4m total horizontal. Please note min. 0.3m between 90° elbows is required.
	Min.	Max.	Min.	
A)	0.3m	0.6m	0.9m	
B)	0.6m	0.9m	1.2m	
C)	0.9m	1.2m	1.8m	
D)	1.2m	1.5m	2.1m	
E)	1.5m	1.8m	2.4m	
F)	1.8m	2.1m	2.7m	
G)	2.1m	2.4m </td <td>3.0m</td> <td></td>	3.0m	

Lengths do not include elbow indicated



Unit Installation with Horizontal Termination

102mm x 175mm Flueing (Rigid Flue Systems)

Minimum Flue Clearances to Combustibles

* Clearances noted below must be maintained; except when passing through a wall, ceiling or at the termination where the use of a firestop or wall thimble reduces clearance to 38mm.

Horizontal Top*	76mm*
Horizontal Side	51mm
Horizontal Bottom	51mm
Vertical Flue	51mm

Below are the recommended framing dimensions (inside measurements) for the 102mm x 168mm rigid flue terminations - for use with a firestop or wall thimble.

Recommended Framed Opening Size	
Flue Size	Framing Size
102mm x 175mm	254mm x 254mm

Install the flue system according to the manufacturer's instructions included with the components.

- Set the unit in its desired location. Check to determine if wall studs or roof rafters are in the way when the flueing system is attached. If this is the case, you may want to adjust the location of the unit. Rough in the gas preferably on the right side of the unit and the electrical (junction block is on the left side) on the left.
- Direct Flue pipe and fittings are designed with special twist-lock connections to connect the flueing system to the appliance flue outlet. A twist-lock appliance adaptor is required.
- In conjunction with the Approved Flue system, install the adaptor after the unit is set in its desired location. Put a bead of Mill-Pac inside the outer section of the adaptor and a bead of Mill-Pac on the inner collar. Slip the adaptor over the existing inner and outer flue collar. Fasten to the outer collar only with the 3 supplied screws (drilling pilot holes will make this easier).
- Level the fireplace and fasten it to the framing using nails or screws through the top and side nailing strips.

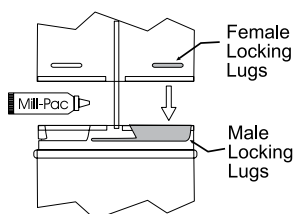


Diagram 1

- Assemble the desired combination of pipe and elbows to the appliance adaptor and twist-lock for a solid connection.

Note: For best results and optimum performance with each approved flueing system, it is highly recommended to apply Mill-Pac sealant (supplied) to every inner pipe connection. Failure to do so may result in drafting or performance issues not covered under warranty.

Horizontal runs of flue must be supported every 0.9 meter. Wall straps are available for this purpose.

- Mark the wall for a square hole - see chart to left for size. The center of the square hole should line up with the center-line of the horizontal pipe. Cut and frame the square hole in the exterior wall where the flue will be terminated. See diagram 2 for center line requirements.

If the wall being penetrated is constructed of non-combustible material, i.e. masonry block or concrete, an 203mm diameter hole is acceptable.

Note:

- The horizontal run of flue must be level, or have a 6 mm rise for every 305 mm of run towards the termination. Never allow the flue to run downward. This could cause high temperatures and may present the possibility of a fire.
- The location of the horizontal flue termination on an exterior wall must meet all local and national building codes.

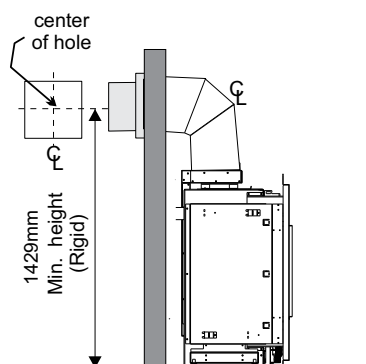


Diagram 2

- Ensure that the pipe clearances to combustible materials are maintained (Diagram 3). Install the termination cap.

Note: If installing termination on a vinyl siding covered wall, a vinyl siding standoff or furring strips must be used to ensure that the termination is not recessed into the siding.

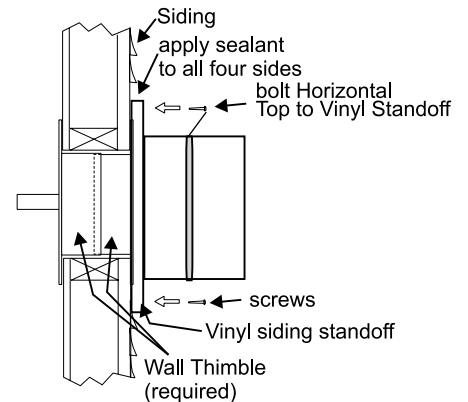


Diagram 3

The four wood screws provided should be replaced with appropriate fasteners for stucco, brick, concrete, or other types of sidings.

- Before connecting the horizontal run of flue pipe to the flue termination, slide the Wall Thimble over the flue pipe. The wall thimble is required for all horizontal terminations.
- Slide the appliance and flue assembly towards the wall carefully inserting the flue pipe into the flue cap assembly. It is important that the flue pipe extends into the flue cap sufficient distance so as to result in a minimum pipe overlap of 32mm. Secure the connection between the flue pipe and the flue cap.
- Install wall thimble in the center of the framed hole and attach with wood screws (Diagram 4).

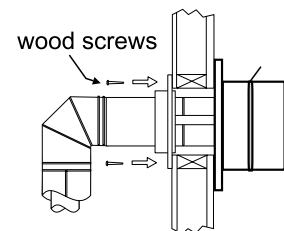


Diagram 4

installation

Unit Installation with Horizontal Termination 102mm x 175mm Flueing (Flex Flue Systems)

Minimum Flue Clearances to Combustibles

* Clearances noted below must be maintained; except when passing through a wall, ceiling or at the termination where the use of a firestop or wall thimble reduces clearance to 25mm.

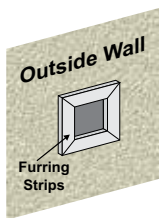
Horizontal Top*	76mm*
Horizontal Side	51mm
Horizontal Bottom	51mm
Vertical Flue	51mm

Below are the recommended framing dimensions (inside measurements) for the 102mm x 168mm rigid flue terminations - for use with a firestop or wall thimble.

Recommended Framed Opening Size	
Flue Size	Framing Size
102mm x 175mm	254mm x 254mm

1. Locate the unit in the framing, rough in the gas (preferably on the right side of the unit). Locate the centerline of the termination and mark wall accordingly. Cut a square hole in the wall - see chart (inside dimension).

Note: If installing termination on a siding covered wall, a vinyl siding standoff or vinyl furring strips must be used to ensure that the termination is not recessed into the siding.



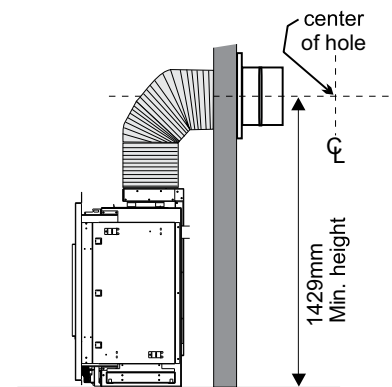
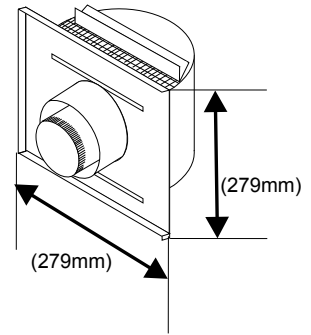
2. Level the fireplace and fasten it to the framing using nails or screws through the nailing strips.
3. Assemble the flue assembly by applying Mill-Pac to the inner flue collar of the termination and slipping the inner flex liner over it at least 35mm. Fasten with the 3 screws (drilling pilot holes will make this easier). Apply Mill-Pac to the outer flex pipe and slip it over the outer flue collar of the flue terminal at least 35mm and fasten with the 3 screws.

NOTE: Horizontal sections must be supported at intervals not exceeding 0.9 meter. (Flame picture and performance will be affected by sags in the liner).

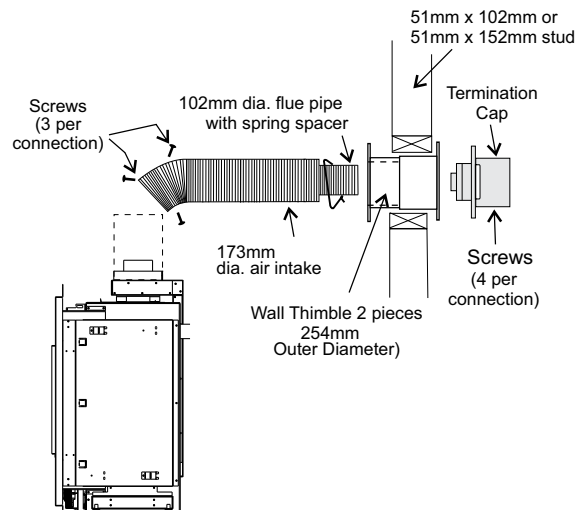
4. Separate the 2 halves of the wall thimble and securely fasten the one with the tabs to the outside wall making sure that the tabs are on top and bottom. Fasten the other thimble half to the inside wall. The thimble halves slip inside each other and can be adjusted for 2 x 4 or 2 x 6 walls.
5. Slip the assembled liner and termination assembly through the thimble making sure the termination cap faces up (there are markings on the cap indicating which way is up). This will position the termination cap with proper down slope for draining water. Fasten the cap to the outer wall with the 4 supplied screws.
6. Pull the centre inner and outer flex liner out enough to slip over the flue collars of the fireplace. (You may wish to cut the liner shorter to make it more workable.) Do not bend liner more than 90°. The liners must slip over the collars a minimum of 35mm.
7. Apply Mill Pac over the fireplace inner flue collar and slip the inner flex liner down over it and attach with 3 supplied screws.
8. Do the same with the outer flue collar and outer flex liner.
9. Apply a bead of silicone between the thimble and termination and around the outer edge of the terminal at the wall in order to keep the water out.

IMPORTANT: Do not locate termination hood where excessive snow or ice buildup may occur. Be sure to check flue termination area after snow falls, and clear to prevent accidental blockage of flueing system. When using snow blowers, make sure snow is not directed towards flue termination area.

ASTROCAP DIMENSIONS (946-523/P)



NOTE: A minimum of 305mm vertical off the top of the unit is required before any horizontal runs can start.



Dura-vent Vertical Termination 102mm x 175mm Flueing (Rigid Flue Systems)

1. Maintain the 38mm clearances (air spaces) to combustibles when passing through ceilings, walls, roofs, enclosures, attic rafter, or other nearby combustible surfaces. Do not pack air spaces with insulation. Check "Flueing" Sections for the maximum vertical rise of the flueing system and the maximum horizontal offset limitations.

2. Set the gas appliance in its desired location. Drop a plumb bob down from the ceiling to the position of the appliance flue exit, and mark the location where the flue will penetrate the ceiling. Drill a small hole at this point. Next, drop a plumb bob from the roof to the hole previously drilled in the ceiling, and mark the spot where the flue will penetrate the roof.

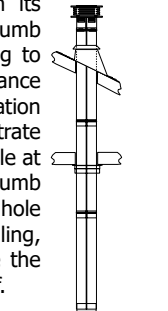


Diagram 1

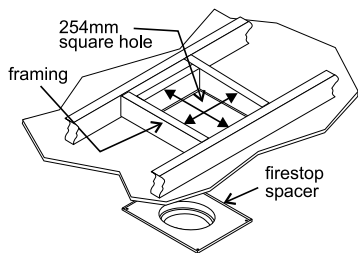
3. A Firestop spacer must be installed in the floor or ceiling of every level. To install the Firestop spacer in a flat ceiling or wall, cut a 305 mm square hole. Frame the hole as shown in Diagram 2 and install the firestop.



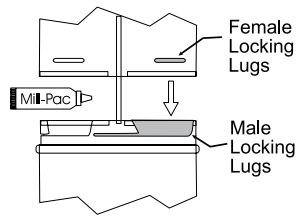
Diagram 2

Note: All vertical terminations are flued using 102mm x 175mm flueing and rigid pipe adaptor #510-994.

4. Assemble the desired lengths of pipe and elbows. Ensure that all pipes and elbow connections are in the fully twist-locked position and sealed.



5. Cut an opening in the roof centered on the small drilled hole placed in the roof in Step 2. The hole should be of sufficient size to meet the minimum requirements for clearance to combustibles of 38mm.



NOTE: For best results and optimum performance with each approved flueing system, it is highly recommended to apply "Mill-Pac" sealant (supplied) to every inner pipe connection. Failure to do so may result in drafting or performance issues not covered under warranty.

Slip the flashing under the shingles (shingles should overlap half the flashing) as per Diagram 3.

6. Continue to assemble pipe lengths.

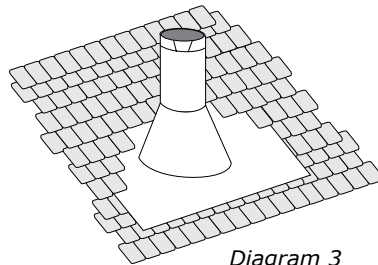


Diagram 3

Diagram 3: The upper half of the flashing is installed under the roofing material and not nailed down until the chimney is installed. This allows for small adjustments.

Note: If an offset is necessary in the attic to avoid obstructions, it is important to support the flue pipe every 3 feet, to avoid excessive stress on the elbows, and possible separation. Wall straps are available for this purpose.

Galvanized pipe is desirable above the roofline due to its higher corrosion resistance. Continue to add pipe sections through the flashing until the height of the flue cap meets the minimum height requirements specified in Diagram 4 or local codes. Note that for steep roof pitches, the vertical height must be increased. A poor draft, or down drafting can result from high wind conditions near big trees or adjoining roof lines, in these cases, increasing the flue height may solve the problem.

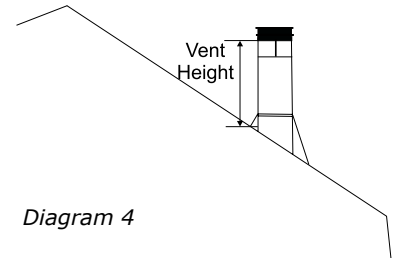


Diagram 4

Roof Pitch	Minimum Flue Height
	Meters
flat to 7/12	0.61
over 7/12 to 8/12	0.61
over 8/12 to 9/12	0.61
over 9/12 to 10/12	0.76
over 10/12 to 11/12	0.99
over 11/12 to 12/12	1.22
over 12/12 to 14/12	1.52
over 14/12 to 16/12	1.83
over 16/12 to 18/12	2.13
over 18/12 to 20/12	2.29
over 20/12 to 21/12	2.44

7. Ensure flue is vertical and secure the base of the flashing to the roof with roofing nails, slide storm collar over the pipe section and seal with a mastic.

8. Install the vertical termination cap by twist-locking it.

Note: Any closets or storage spaces, which the flue passes through must be enclosed.

installation

Vertical Termination 102mm x 175mm Flueing - Vertical Flex Flue Kit (946-755)

Note: The roof flashing is not included with this kit and must be purchased separately.

Must choose 1 of the following:

Part #	Description
46DVA-F12	Flashing 7/12-12/12
46DVA-F8	Flashing 0/12-6/12
46DVA-FF	Flast Roof Flashing

1. Maintain the 38mm clearance (air space) to combustibles when passing through ceilings, walls, floors, enclosures, attic rafters or other nearby combustibles. Do not pack air spaces with insulation. Check Venting sections for the maximum vertical rise of the venting system and the maximum horizontal offset limitations.

Ensure that you maintain clearances around enclosures, walls, below or above floors, floor joists, etc. Each appliance has different clearance requirements (top,sides,bottom). See specific appliance manual for details.

2. Set the appliance in its desired position. Drop a plumb bob down from the ceiling/floor joist to the position of the appliance flue exit and mark the location where the vent will penetrate the ceiling. Drill a small hole at this point. Next drop a plumb bob from the roof to the hole previously drilled at the ceiling level and mark the spot where the vent will penetrate the roof.
3. Cut a hole in the roof centered on the small hole placed in the roof in the previous steps. The hole should be a minimum of 260 mm. The hole may be round or square.
4. Slip the flashing under the shingles and line up flashing so it is centered to the hole (shingles should overlap half of the flashing) as per Diagram

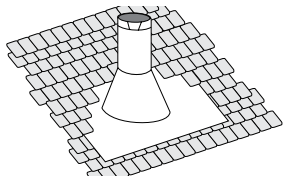


Diagram 1 The upper half of the flashing is installed under the roofing material and not nailed down until the chimney is installed. This allows for small adjustments.

Diagram 1

5. A ceiling firestop/firestop spacer must be installed when passing through each floor or ceiling level. To install the ceiling firestop/firestop spacer in a flat ceiling or floor joist cut a 260mm square hole. Frame the hole as show in Diagram 2 and install the ceiling firestop. Slide the top attic insulation spacer onto the top of the attic insulation shield/firestop - See Diagram 2a. Secure with 4 screws/nails. If more than one is required, these can be purchased separately.

Note: The ceiling firestop/firestop spacer may be cut down to size if this shield is too high for the application.

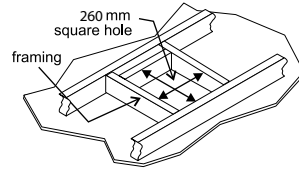


Diagram 2

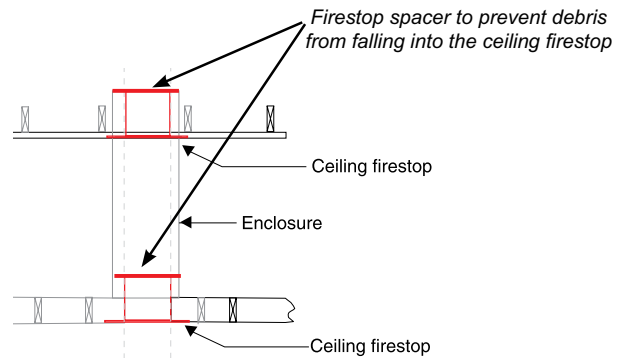


Diagram 2a

6. Determine the overall height of the chimney from the top of the appliance to the underside of the flashing. If required cut the flexible inner and outer pipe to the desired length up to a maximum of 6.1m.
 7. Put a bead of Mill-Pac around the 100mm collar on the appliance and slide the inner flex pipe over the inner collar of the appliance and secure with a minimum of 3 screws.
 8. Install 102 mm spacers around 102 mm flex.
 9. Repeat Step 7 to install the outer pipe to the outer collar of the appliance
- Note:** If an offset is necessary in the attic or floor joists it is important to support the vent pipe every 0.9m to avoid excessive stress and sagging of the vent pipe. Wall straps are provided (3 in total) for this purpose. All round/plumbers strapping may also be used if further supports are required.
10. Attach the rigid pipe section to the adaptor by using Mill-Pac on the inner/ outer pipe. Use 3 screws to secure outer pipe.
 11. Secure inner flex pipe to pipe adaptor by using Mill-Pac over the adaptor. Slide the inner pipe over adaptor and secure with 3 screws.
 12. Repeat Step 11 to secure outer flex.

13. Slide the finished length up towards the flashing ensuring the length of pipe is a minimum of 0.6m measured from the top of the roof. Level the chimney and secure using the roof support provided with kit to bottom side of the roof as shown using a minimum of 2 screws per side- see Diagram 3b. See Diagram 4 for roof pitch and height requirements. See Diagram 3a for securing method if 0.6m is insufficient and additional lengths are required, this may be purchased separately. See Simpson Duravent components list in the instruction manual for part numbers.

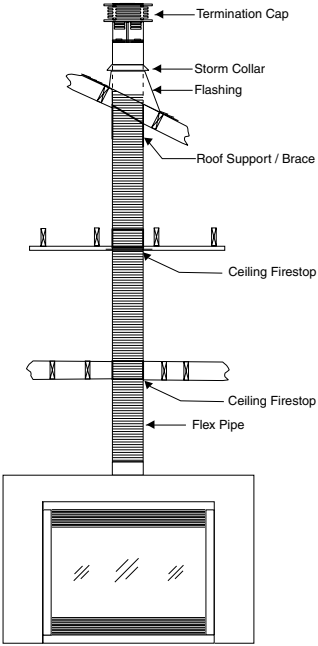
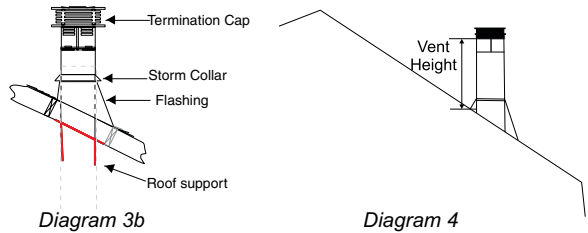


Diagram 3

Roof Pitch	Minimum Vent Height
	Meters
flat to 7/12	0.61
over 7/12 to 8/12	0.61
over 8/12 to 9/12	0.61
over 9/12 to 10/12	0.76
over 10/12 to 11/12	0.99
over 11/12 to 12/12	1.22
over 12/12 to 14/12	1.52
over 14/12 to 16/12	1.83
over 16/12 to 18/12	2.13
over 18/12 to 20/12	2.29
over 20/12 to 21/12	2.44

- 14. Put a bead of caulking on the exterior between the outer pipe and flashing to prevent water from penetrating the chimney system.
- 15. Slide storm collar over pipe length until it reaches the flashing.
- 16. Install termination cap by twist locking it.
- 17. Secure the flashing to the roof using screws

Note: Any closets or storage spaces which the vent passes through must be enclosed.

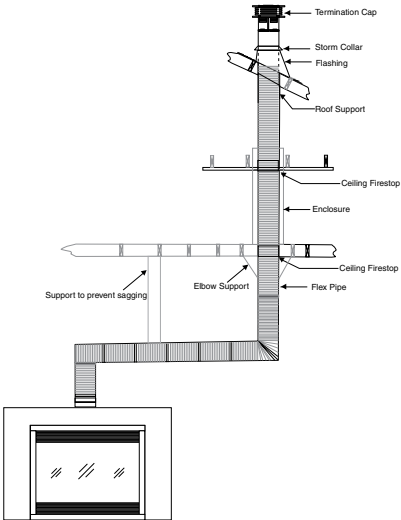


Diagram 3a

installation

Vertical Flue Extension Kit (Part #946-756)

6.1m Flex pipe Extension

Used in conjunction with the 946-755 Vertical Flex kit for vertical installations or for horizontal installations when using the power vent option only where a maximum of 2 x 946-756 may be used up to a maximum of 12.2m.

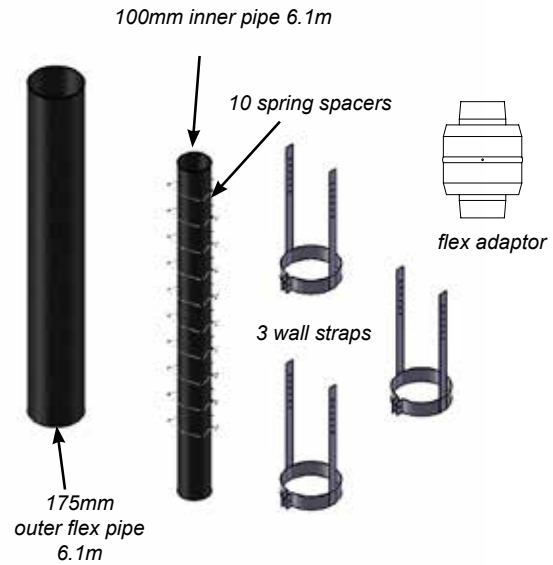
1. Stretch out both inner 100 mm and outer 175mm pipe up to a maximum of 6.1m.

Note : The inner and outer pipes may be cut if only a short length is required.

2. Install spring spacers around 100mm inner pipe as shown.
Slide outer flex pipe over and all the way down the 100 mm pipe.
3. Apply a bead of Mill Pac around the perimeter of the 100mm inner collar of the flex adaptor and slip the 100mm inner flex pipe from the Vertical termination kit over the flex adaptor ensuring that the inner flex pipe overlaps the collar by at least 35mm. Fasten with 3 screws.
4. Apply a bead of Mill Pac around the perimeter of the 175mm outer collar of the flue adaptor and slip it over the 175 mm outer flex pipe from the vertical termination kit ensuring that the outer flex pipe overlaps the collar by at least 35mm. Fasten with the 3 screws.
5. Repeat steps to secure the other end of the flex adaptor using the flex kit.
6. See Vertical Vent installation instructions or horizontal power vent installation instructions for installation of the complete vent system.

Note: If an offset is necessary in the attic or floor joists it is important to support the vent pipe every 0.9m to avoid excessive stress and sagging of the vent pipe. Wall straps are provided (3 in total) for this purpose.

All round/plumbers strapping may also be used if further supports are required.

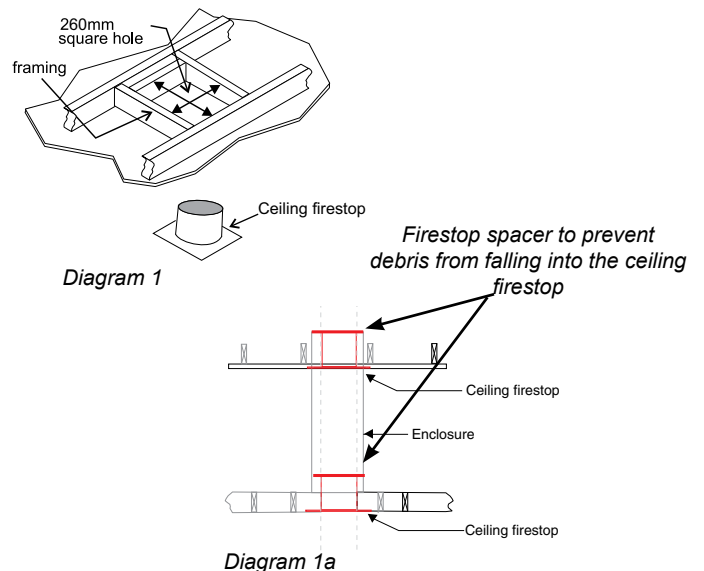


Ceiling Firestop / Firestop Spacer (Part #946-757)

Used in conjunction with the 946-755 Vertical flex kit and 946-756 kit Vertical flex extension kit/Horizontal power vent kit.

A ceiling firestop/firestop spacer must be installed when passing through each floor or ceiling level. To install the ceiling firestop/firestop spacer in a flat ceiling or floor joist cut a 260mm square hole. Frame the hole as show in Diagram 1 and install the ceiling firestop. Slide the top attic insulation spacer onto the top of the attic insulation shield/firestop - See Diagram 1a. Secure with 4 screws/nails. If more than one is required, these can be purchased separately.

Note: The ceiling firestop/firestop spacer may be cut down to size if this shield is too high for the application.



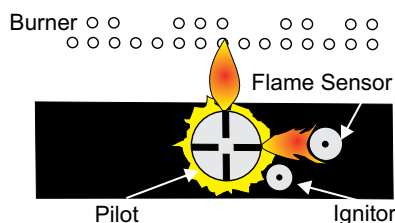
ACC40ENG SYSTEM DATA	
Min. Supply Pressure	1.13 kPa
Manifold Pressure High	0.96 kPa
Manifold Pressure Low	0.30 kPa
Orifice Size	2.40 mm
Maximum Input	30 MJ/h
Minimum Input	17.1 MJ/h

ACC40ELP SYSTEM DATA	
Min. Supply Pressure	2.75 kPa
Manifold Pressure High	2.60 kPa
Manifold Pressure Low	0.70 kPa
Orifice Size	#53 DMS
Maximum Input	30 MJ/h
Minimum Input	16.0 MJ/h

ACC40EULPG SYSTEM DATA	
Min. Supply Pressure	2.75 kPa
Manifold Pressure High	2.60 kPa
Manifold Pressure Low	0.63 kPa
Orifice Size	#54 DMS
Maximum Input	24 MJ/h
Minimum Input	11.7 MJ/h

Pilot Adjustment

Periodically check the pilot flames. Correct flame pattern has two strong blue flames: 1 flowing around the flame sensor and 1 flowing across the burner (it does not have to be touching the burner).



Note: If you have an incorrect flame pattern, contact your Regency® dealer for further instructions.

Incorrect flame pattern will have small, probably yellow flames, not coming into proper contact with the rear burner or flame sensor.

Gas Pipe Pressure Testing

The appliance must be isolated from the gas supply piping system by closing its individual manual shut-off valve during any pressure testing of the gas supply piping system at test pressures equal to or less than 1/2 psig. (3.45 kPa). Disconnect piping from valve at pressures over 1/2 psig.

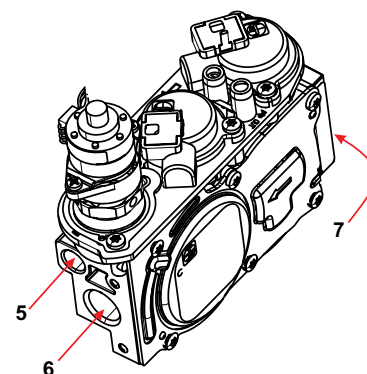
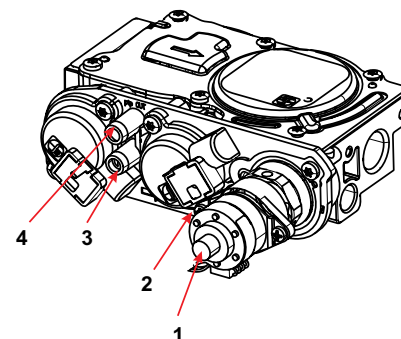
The manifold pressure is controlled by a regulator built into the gas control, and should be checked at the pressure test point.

Note: To properly check gas pressure, both inlet and manifold pressures should be checked using the valve pressure ports on the valve.

- 1 Make sure the unit is in the "OFF" position.
- 2 Loosen the "IN" and/or "OUT" pressure tap(s), turning counterclockwise with a flat screwdriver.
- 3 Attach manometer to "IN" and/or "OUT" pressure tap(s) using a 8mm ID hose.
- 4 Turn the unit on with the remote or wall switch
- 5 The pressure check should be carried out with the unit burning and the setting should be within the limits specified on the safety label.
- 6 When finished reading manometer, turn off the unit, disconnect the hose and tighten the screw (clockwise) with a flat screwdriver. **Note: Screw should be snug, but do not over tighten.**

885 S.I.T. Valve Description

- 1) 6 Stage flame adjustment
- 2) Pilot adjustment
- 3) Inlet Pressure Tap
- 4) Outlet Pressure Tap
- 5) Pilot Outlet
- 6) Main Gas Outlet
- 7) Main Gas Inlet



High Elevation

This unit is approved for altitude 0 to 1372m.

Gas Line Installation

Since some municipalities have additional local codes it is always best to consult with your local authorities. When using copper or flex connectors use only approved fittings. Always provide a union so that gas lines can be easily disconnected for servicing. Flare nuts for copper lines and flex connectors are usually considered to meet this requirement.

NOTE: A shutoff / dante valve should be supplied in or near the unit (or as per local codes) for ease of servicing this appliance.

IMPORTANT: Always check for gas leaks with a soap and water solution or gas leak detector. Do not use open flame for leak testing.

installation

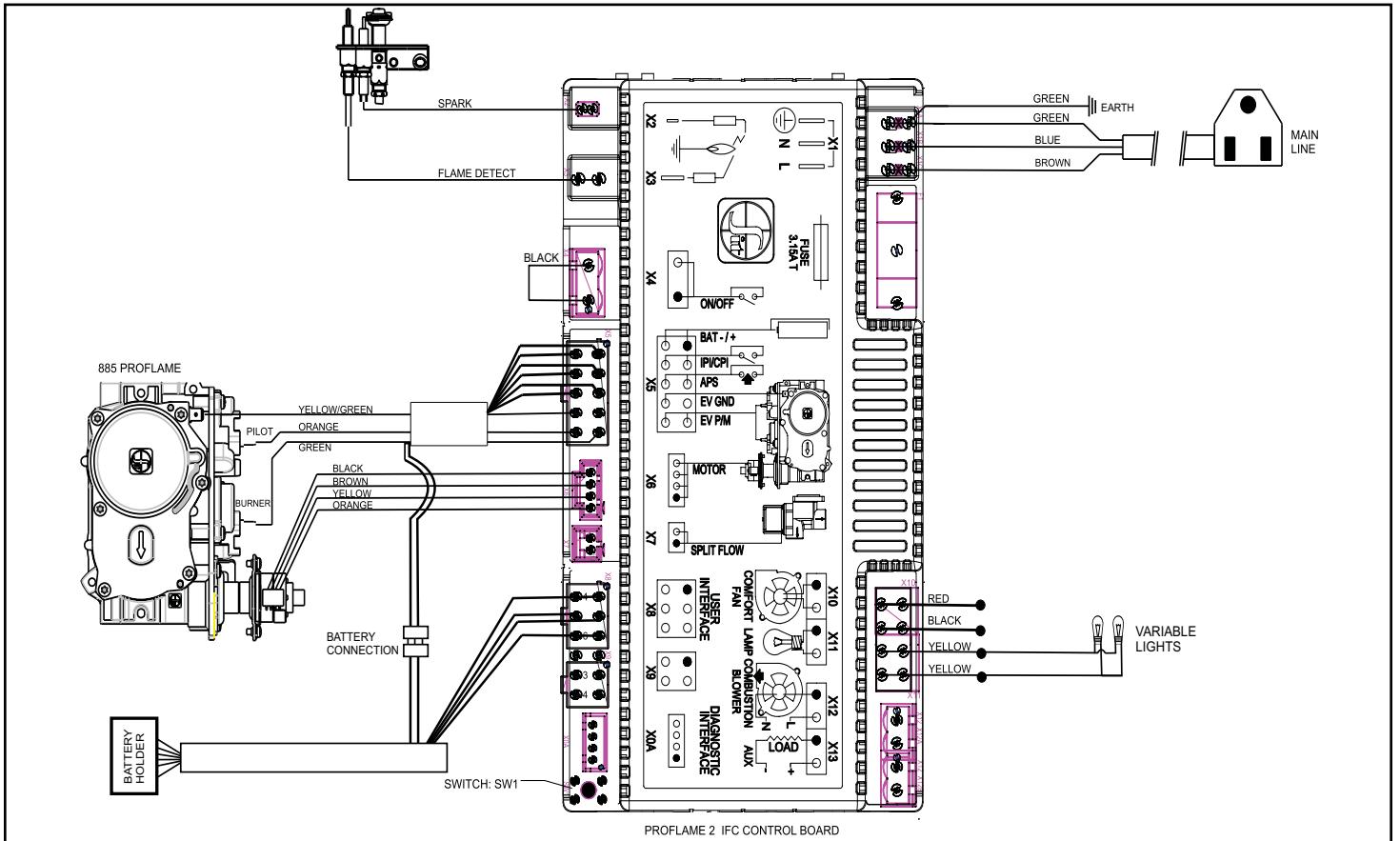
Wiring Diagrams

No electrical power supply is required for the gas control to operate. 240 Volt AC power is needed for the lights.

(Do not cut the earth terminal off under any circumstances.)

Caution: Ensure that the wires do not touch any hot surfaces and are away from sharp edges.

Electrical power must be brought to the appliance by a licensed electrician.



CAUTION: Label all wires prior to disconnection when servicing controls. Wiring errors can cause improper and dangerous operation.

This appliance is equipped with a three-prong (earthing) plug for your protection against shock hazard and should be plugged directly into a properly grounded three-prong receptacle. Do not cut or remove the earthing prong from this plug.

Optional Fan Ducting Kit Installation

Note: The 656-995 HeatWave adapter and 946-596 Aluminum flex (4.5m) must be purchased separately.

LISTINGS AND CODE APPROVALS

This Fan Kit has been approved for use with ACV40E / ACB40E / ACC40LE / ACC40RE.

NOTE: ENERGY LABEL RATINGS DO NOT REFLECT INSTALL OF OPTIONAL FAN KIT.

Check with your local building code agency before you begin your installation to ensure compliance with local codes, including the need for "permits" and follow-up inspections. If any problems are encountered regarding code approvals, or if you wish clarification on any of the instructions contained here, contact your local dealer.

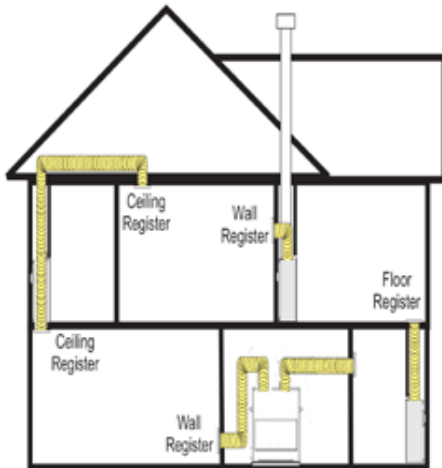


Diagram 1: Guide for possible air duct runs and locations. Keep duct length and number of bends to a minimum. Maximum duct length is 9.0m.

The Extension Kit contains a maximum of up to 4.5m. Please purchase the Fan Duct Extension Kit to increase the 9.0m

Item No.	Description	No	Description
1	240V Fan Assembly	7	Aluminum Flex 4.5m
2	Duct Flange-Fan		
3	Adapter Round to Oval	8	Duct Flange-Stove
4	Angle Bracket	9	Sidewall Grille
5	Junction Box	10	Connector Clamp
6	Wall Adapter Plate		

NOTE: The fan kit (946-591) does not contain any ducting. The optional extension duct kit (7 in the noted table) is 4.5 metres in length and its part number is 946-596.

GENERAL INFORMATION

The Fan Kit increases the effectiveness of your fireplace by dispersing warm air from the fireplace to remote locations in the same room or other rooms in your home.

Up to two kits may be installed on the fireplace.

Important Installation Notes

1. The appliance installation must conform with local codes and installation codes.
2. The appliance when installed, must be electrically grounded in accordance with local codes.
3. This kit is tested and safe when installed in accordance with this installation manual. Please read all instructions before starting installation and follow all instructions carefully during installation.
4. Installation of this kit must be performed by a qualified service technician.
5. The Fan Kit must be installed only as specified. Any modifications of the kit or components will void the warranty and may cause a fire hazard.
6. Plan the location of the fireplace and the warm air duct runs, see diagram 1 as a guide for possible duct runs and locations.

Maximum Duct Run: 9.0m
Kit Contains 4.5m

If you require more than 4.5m please purchase Fan Duct Extension Kit.

NOTE: Airflow through the duct system is affected by the duct length and number of bends. Keep the length and bends to a minimum to maximize performance.

MINIMUM FRAMING CLEARANCES

* Wall studs must be 407mm on center for mounting fan housing.

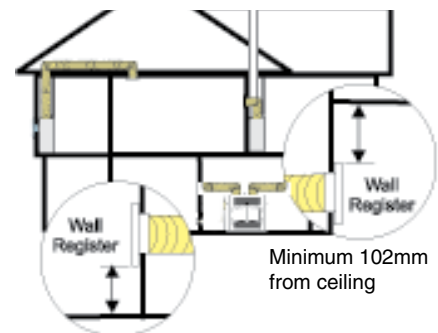
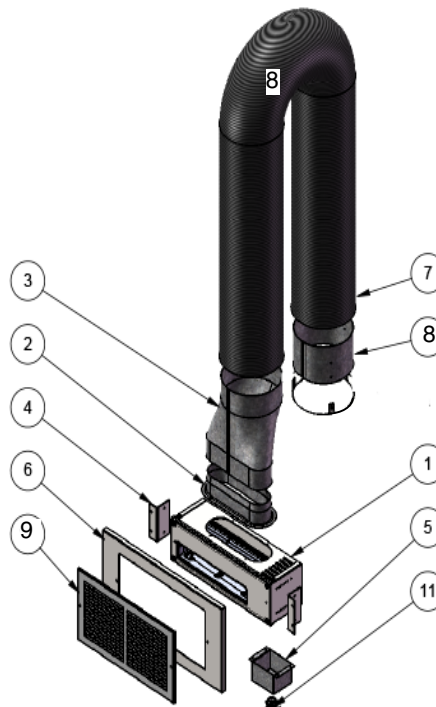
* Fan Housing: Maintain a 6mm clearance from fan housing to combustible material.

* Wall Registers must be 102mm above floor and / or 102mm below ceiling.

1. Determine the location of the air register/fan housing assembly. Cut a 121mm x 406mm hole between framing members (wall studs or floor joists). Maintain a 6mm clearance from fan housing to combustible material. See Framing Clearances section.

MINIMUM FAN DUCT CLEARANCES

The fan ducting requires a minimum of 25mm clearance to combustibles.



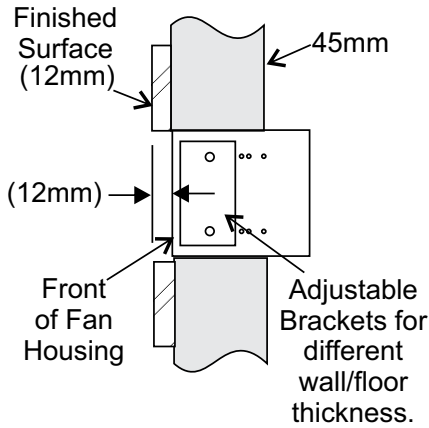
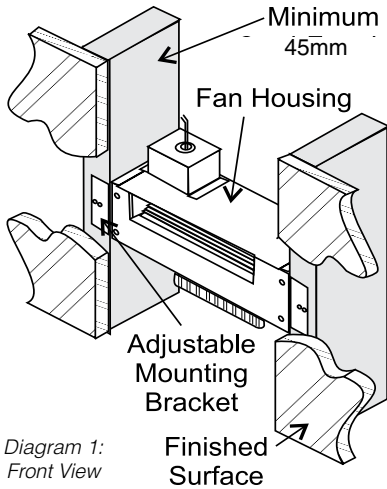
Minimum 102mm from floor

installation

NOTE: Installation of Fan Kit should be done prior to installation of the wall.

2) Mount and secure the fan housing assembly to framing members, the front of the fan housing will protrude 12.7mm out of the wall so it may be finished with drywall, etc. See diagram 2

3. Install the air duct run. Secure the duct to the duct collar on the unit and the fan housing with 3 screws per end and aluminum duct tape.



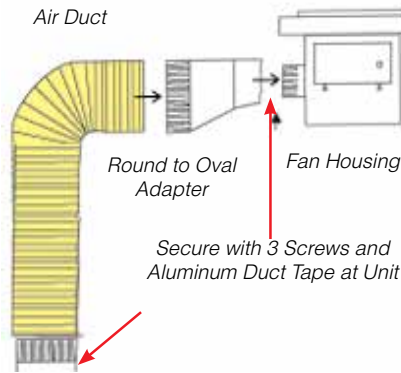
Round Air Duct: Attach the 152.4mm round air duct (supplied) to the fireplace collar and run the duct to the fan housing. Attach the round-to-oval adapter to the fan housing and the air duct to the adapter.

4. Install the On/Off switch in a convenient location. This switch controls the fan operation.

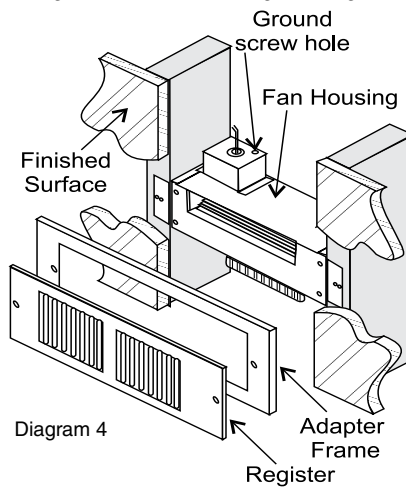
NOTE: Variable speed or Rotary 3 speed switch can be fitted.

5. Wire up the the fan, wall switch and power supply per local codes. See wiring diagram as reference. *Electrician to supply wiring.

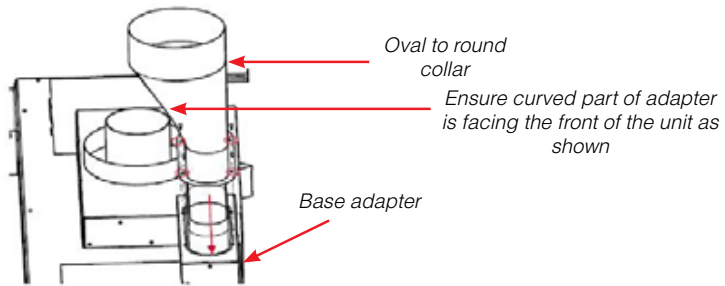
6. Screw fan junction box to the fan housing.



7. Screw the Register Adapter Frame and the Air Register to the Fan Housing See diagram 4.

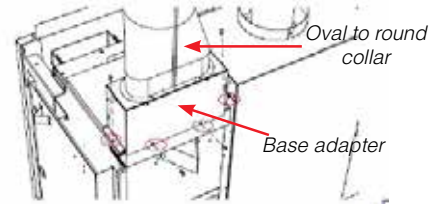


8. HeatWave adapter installation Kit (part #656-995) includes a base adapter, oval to round collar & hardware. Attach oval to round collar to base adapter with 4 screws as shown below.



9. Attach oval to round collar/base adapter assembly (assembled in step 8) to unit in location shown below with 4 screws.

NOTE: HeatWave adapter may be installed on either left or right side.



Fan Duct Extension Kit

In order to use the fan extension duct kit, you must have fan kit. This kit allows you to extend the fan duct to 9m.

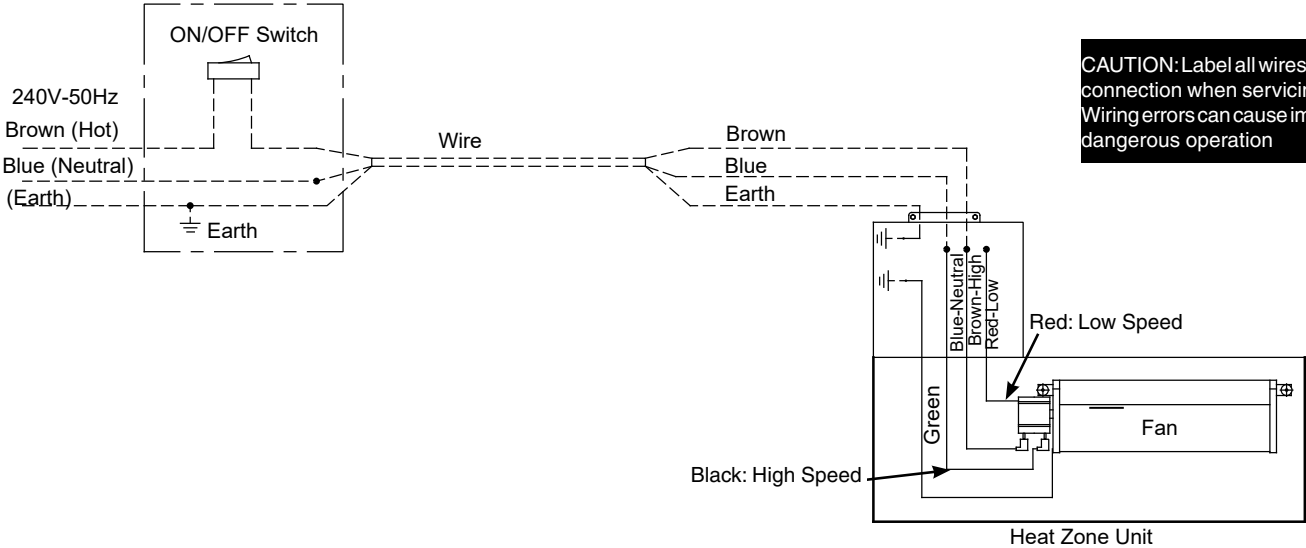
1. Attach the connecting collar to the duct that came with the duct kit. Use the screws provided.



2. Attach the 4.5m duct within this kit to the connecting collar on the opposite end with the screws provided. Extend the flex to the desired length.



WIRING DIAGRAM



Caution: Ensure that the wires do not touch any hot surfaces and are away from sharp edges.

Alternate Switches: May use the following. Check with local authorities and electrician.
CLIPSAL 203 2E45 OUD - Dimmer
CLIPSAL 2031 VF3CSF - 3 Speed

installation

Inner Glass Panel (Firebox Glass) Installation / Removal

▶ To watch the firebox installation video click here <http://bit.ly/2qfQwST>

Note: glass panels must be installed to operate fireplace

WARNING: GLASS HANDLING

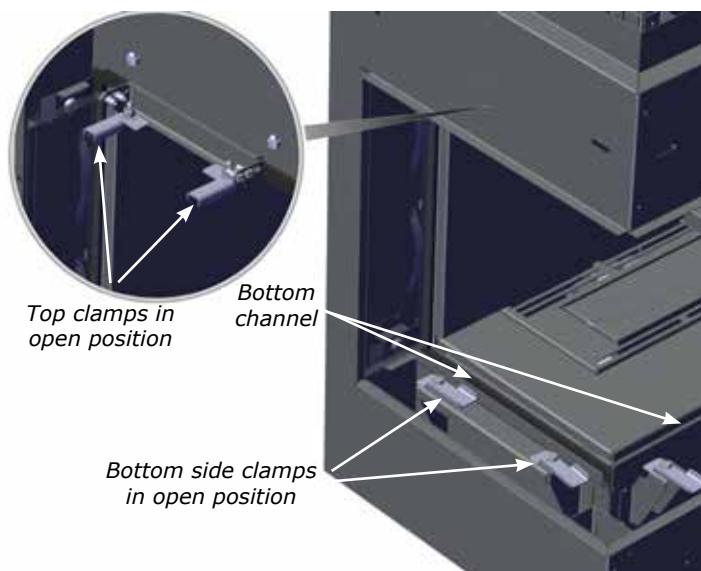
We recommend using the glass vacuum holders supplied by the manufacturer. Lower the glass to rest in a safe place, this is to prevent damage to the glass edges. Extra care must be taken when removing/installing the glass. Breakage or damage to the edge of the glass which occurs as a result of careless handling will not be covered under warranty.

- We recommend handling the glass with supplied vacuum clamps
 - When removing glass—prepare a soft, scratch resistant surface to place the glass
 - Never clean or remove hot glass
- Note:** The suction cups may leave a round film on the glass when used. Ensure that the glass is cleaned using a fireplace glass cleaner prior to operating the appliance.

Important:

Prior to installing the inner glass, ensure that there is no media present in the bottom channel as this can cause damage to the glass. Remove any media from bottom channel prior to installing the glass.

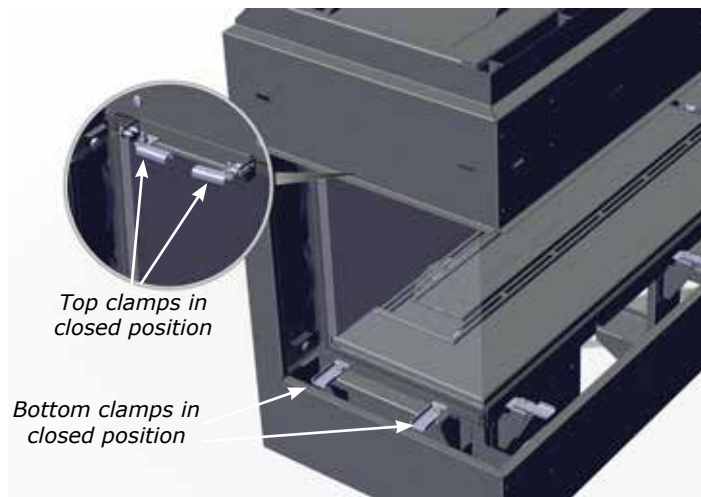
1. Remove outer safety glass panels if previously installed—see instructions in this manual.
2. **ACC40LE/ACC40RE**—Remove outer panels installed in units - see panel removal section in this manual.
3. Ensure all 4 clamps on each side are open to allow clearance for the glass. Lift up side panel using supplied vacuum clamp and tilt inward and upward positioning into a top channel and lowering gently into the lower glass channel—slide the side glass panel firmly towards the back wall until the springs at the back wall are compressed.



Push side glass panel firmly to back wall until springs are compressed—then close clamps.



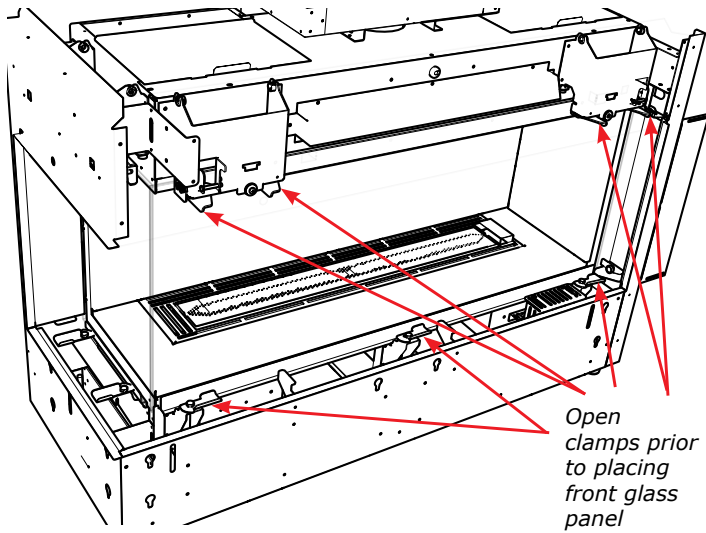
4. With the springs compressed, close the 2 clamps at the bottom and 2 clamps at the top, by turning inward, to secure the glass in position. For the 3 sided unit, repeat on the opposite side.



ACC40LE/ACC40RE shown

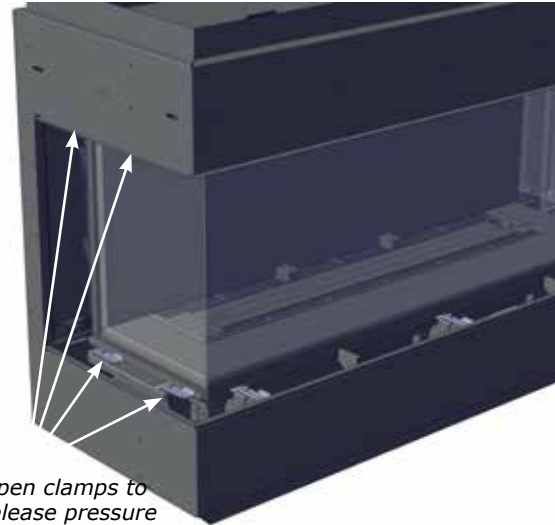
5. Ensure all 7 front clamps are in the open position to allow clearance for the glass.

Note: Ensure that the front glass is centered and evenly spaced with side glass (3 sided unit) - open to release glass clamps to remove from surface of glass.



ACC40LE shown

Open clamps prior to placing front glass panel



Open clamps to release pressure on the springs

6. Lift up the front panel using the supplied vacuum clamps and position into the lower front channel—ensure the front panel is accurately centered—with the front panel in position—secure in place by closing the 3 lower clamps and 4 upper clamps.

Press glass vacuum clamps in open position firmly onto surface of glass. Bring handles together to close.



Open



Closed

7. Return to the side panel(s), and release the upper and lower clamps. The springs will release and push the glass side panel forward slightly—this will create a seal between the front and side panels. When the junction between the front and side glass panels is sealed, close the clamps to secure the side panel(s) in place.

8. To remove the glass panels—always remove the side panel(s) (for 3 sided units) before removing the front panel.

9. Reverse steps to remove glass.



Handle front panel with supplied vacuum clamps

installation

Outer Safety Glass Panel (Barrier Glass) Installation / Removal

📺 To watch the safety barrier glass installation video click here <http://bit.ly/2ryq0c0>

Note: safety glass panels must be installed to operate fireplace

WARNING: GLASS HANDLING

We recommend using the glass vacuum holders supplied by the manufacturer. Lower the glass to rest in a safe place, this is to prevent damage to the glass edges. Extra care must be taken when removing/installing the glass. Breakage or damage to the edge of the glass which occurs as a result of careless handling will not be covered under warranty.

- We recommend handling the glass with supplied vacuum clamps
 - When removing glass—prepare a soft, scratch resistant surface to place the glass
 - Never clean or remove hot glass
- Note:** The suction cups may leave a round film on the glass when used. Ensure that the glass is cleaned using a fireplace glass cleaner prior to operating the appliance.

Outer glass safety panels to be installed during the initial installation after the unit is in the final position.

Note: The outer safety panels come with plastic corners to protect these against damage. These should be kept in place until such time the outer safety panels are installed. Ensure these are removed prior to operating the appliance. Keep the plastic corners in a safe place if ever removing the outer panels for servicing.

1. Carefully remove glass safety panels from packaging.

Press glass vacuum clamp in open position firmly onto surface of glass. Bring handles together to close.



Open



Closed

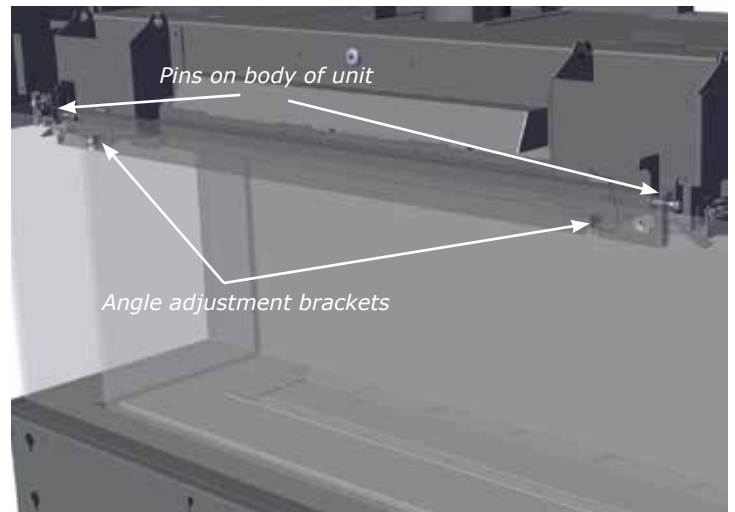
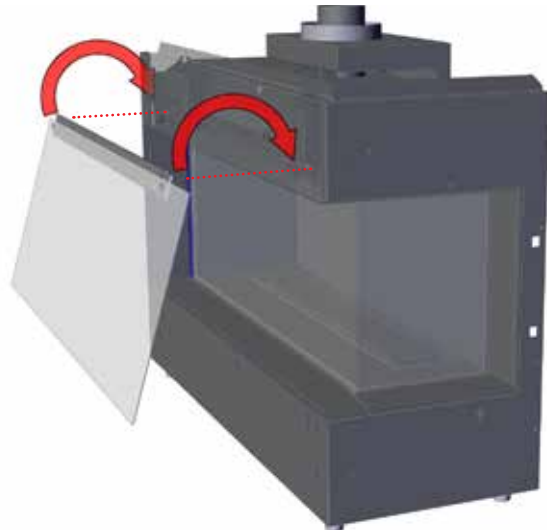


NOTE: Inner glass panel shown in image - depicting proper handling of glass.

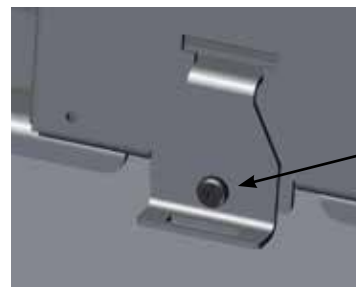
2. Using the supplied vacuum clamps, lift the large front glass panel and position it front and centre by manoeuvring up and underneath the front of the unit frame.

3. Tilt the top of the glass panel inward and lift up and underneath the upper front panel of the outside frame. Hook the glass panel onto the pins and also onto the two angle adjustment brackets located on the frame in two locations as shown in the diagram below.

Note: The front frame upper panel is shown as transparent to better illustrate the install (this area is not visible when installing glass).



Note: If the outer safety glass panels do not sit at 90° and angle too far inward or outward, remove the glass panel and adjust the screw of the panel angle bracket. Turn the panel angle bracket screw in 1/4 increments—reinstall panel to check.



Panel angle bracket—to adjust, turn screw:

Clockwise = bring panel in

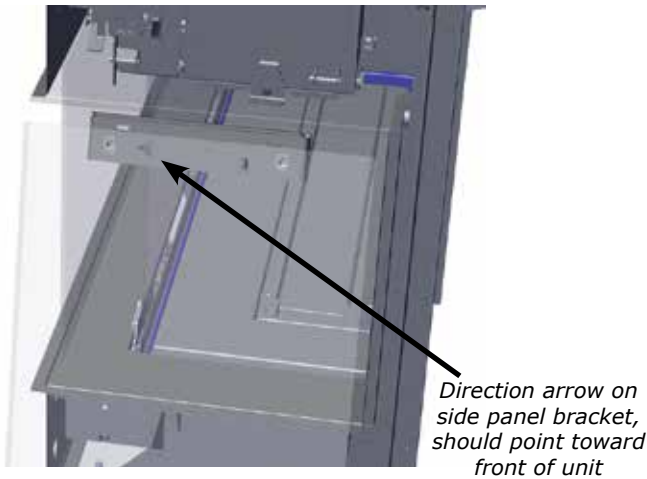
Counter clockwise = bring panel out

Outer Safety Glass Panel (Barrier Glass) Installation / Removal

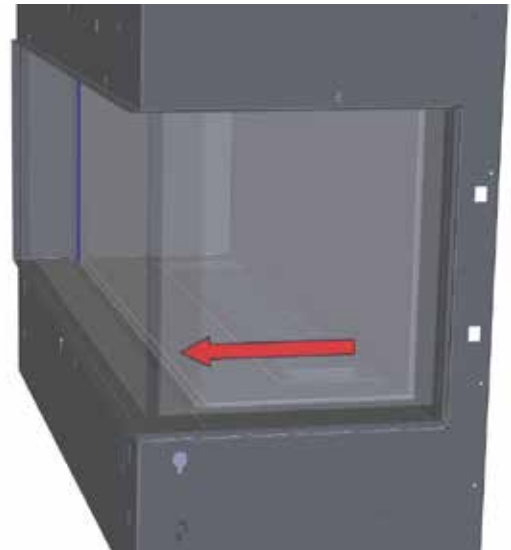
Note: safety glass panels must be installed to operate fireplace.

4. For 3 sided and corner units only:

With front panel installed, proceed to install the side panel(s). Identify the left and right side panels before installing. Facing the front of the unit, the right panel will show an arrow pointing to the front of the unit as shown in the diagram below.

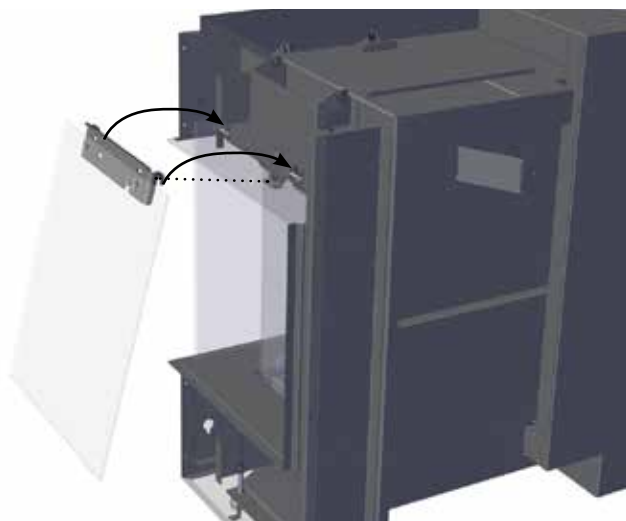


Note: After the side panel has been adjusted so it is installed at 90° to the unit and not flaring in or out, check to ensure there is no gap between the front and side panel. If there is a gap as shown below, slide the side panel to adjust the position and close the gap.



5. Lift up the side panel with the supplied glass clamps (see procedure on previous page). Tilt the side of the glass panel inward and lift up and underneath the upper side panel and hook the 2 outer hooks on to the pins, there is also a panel angle adjustment bracket for the third hook.

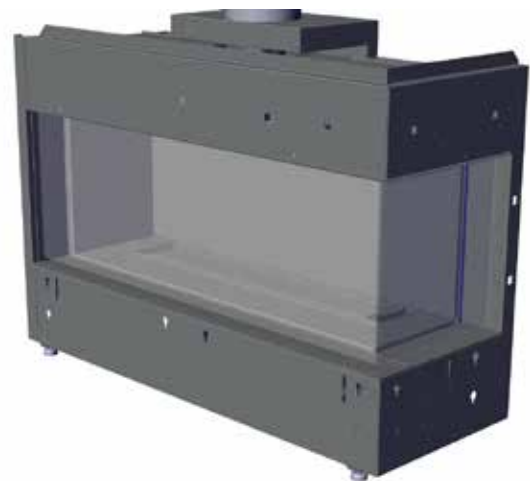
Note: The side frame upper panel is shown as transparent to better illustrate the install (this area is not visible when installing glass).



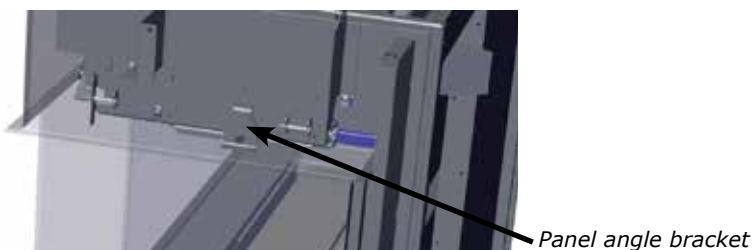
6. Repeat Steps 4 and 5 to install the opposite side panel.

7. Reverse Steps to remove all panels.

Note: When removing panels, we recommend using the supplied glass clamps.



Note: If the outer safety glass side panels angle too far inward or outward, remove the side glass panel and adjust on the panel angle bracket, see details on previous page.



installation

Propane/ULPG Conversion Instructions

Using SIT 885 NOVA Gas Valve

**THIS CONVERSION MUST BE DONE BY A QUALIFIED GAS FITTER
IF IN DOUBT DO NOT DO THIS CONVERSION!**

WARNING

This conversion kit shall be installed by a qualified service agency in accordance with the manufacturer's instructions and all applicable codes and requirements of the authority having jurisdiction. If these instructions are not followed exactly, a fire, explosion or production of carbon monoxide may result causing property damage, personal injury or loss of life. The qualified service agency is responsible for the proper installation of this kit. The installation is not proper and complete until the operation of the converted appliance is checked as specified in the manufacturer's instructions supplied with the kit.

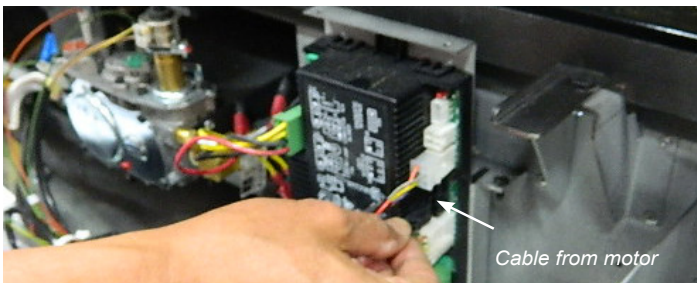
Conversion Kit includes:

1	911-191	Stepper Motor LP for 885 SIT
1	904-947	Propane Orifice #53
1	910-037	Pilot Orifice #30
1	918-590	Decal - Conversion to LP
1	919-728	Orange "PROPANE" Label
1	905-039	ULPG Orifice #54
1	918-272	Conversion to ULPG decal
1	919-727	Red "UNIVERSAL LPG" Label
1	904-529	4mm Allen Key
1	920-217	Instruction Sheet

Caution: The gas supply shall be shut off prior to disconnecting the electrical power, before proceeding with the conversion.

Always let the appliance cool to room temperature before servicing.

1. Remove the outer panels and safety glass — see manual.
2. Remove inner ceramic glass — see manual.
3. Remove inner panels — see manual.
4. Remove all media installed on burner (glass, logs or stones, etc).
5. Disconnect the Cable coming from the Pressure Regulator Motor.

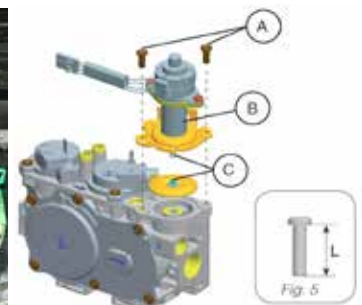
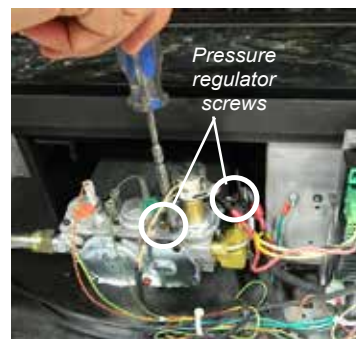


6. If unable to access this Cable - undo 2 screws securing the IFC Board and slide out of unit to access cable.

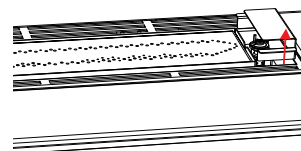


7. Remove and discard 2 Pressure regulator screws (A) using a (T20 or slot screwdriver,) Pressure Regulator (B) and Spring and Diaphragm (C) (see below).
8. Ensure the rubber gasket, which is prefitted as part of the Assembly, is properly positioned. Install the new Pressure Regulator using the 2x M4 x .7 screws supplied. Tighten the screws to 25lb-in. In the event that the screw threads are cross threaded or stripped, replace the valve assembly.

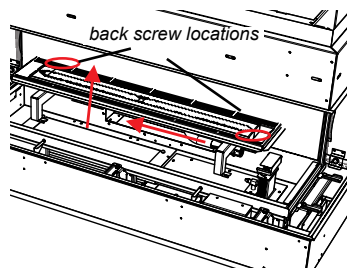
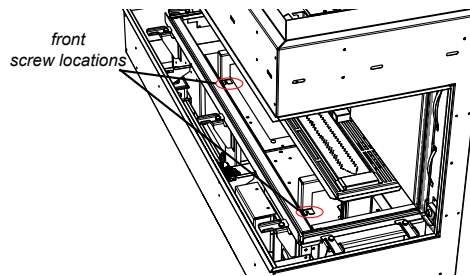
Install the enclosed propane identification label to the valve body where it can be easily seen.



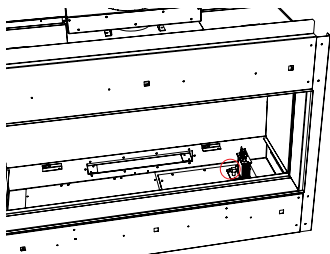
9. Re-attach the Pressure Regulator wire (disconnected in Step 6), and re-situate the IFC, secure the screws that fasten the IFC Mounting Brackets.
10. Remove pilot hood by lifting up and off.



11. Loosen 4 screws in locations shown below (2 at front and 2 at rear)—slide burner to the left away from the orifice and lift out.



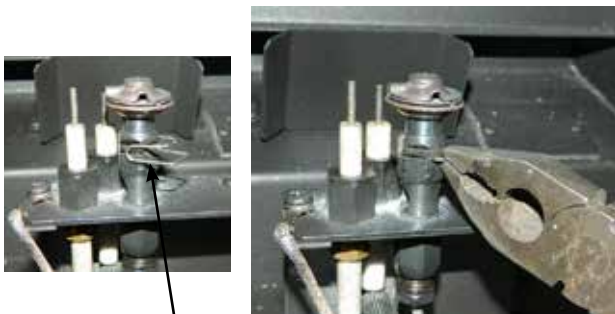
12. Remove burner orifice with a 9.5mm spanner. Use another wrench to hold on to the elbow behind the orifice. Discard orifice. Reinstall new burner orifice LP stamped #53 (or #54 ULPG) and tighten.



CV40E shown

Burner Orifice Location

13. Remove pilot retainer clip with pliers and pull off the pilot cap to expose the pilot orifice.



Pilot retainer clip



14. Unscrew the pilot orifice with the allen key; then replace with the LPG pilot orifice and the pilot cap, provided in the kit.



15. Reinstall pilot cap and pilot retainer clip.

16. Prior to installing burner—adjust aerations settings:

- 7 mm for Propane
- Fully open for ULPG

Reinstall burner (see Step 13).

17. Ensure the pilot light is in the correct orientation to the Burner. Reconnect the gas and electrical supply to the appliance. Start the appliance. (see section on Lighting Instructions) Ensure that pilot and burner ignition is completed without delay. Check both your inlet and outlet pressures at full load. With a soapy solution, leak test the entire system. Verify both the correct flame and pilot appearance.

18. See Gas Pipe Pressure Testing in manual.

PROPANE SYSTEM DATA	
Min. Supply Pressure	2.75 kPa
Manifold Pressure High	2.60 kPa
Manifold Pressure Low	0.70 kPa
Orifice Size	#53 DMS
Maximum Input	30 MJ/h
Minimum Input	16.0 MJ/h

ULPG SYSTEM DATA	
Min. Supply Pressure	2.75 kPa
Manifold Pressure High	2.60 kPa
Manifold Pressure Low	0.63 kPa
Orifice Size	#54 DMS
Maximum Input	24 MJ/h
Minimum Input	11.7 MJ/h

Installer Notice:
These instructions must be left with the appliance.

installation

Painted Panel Installation

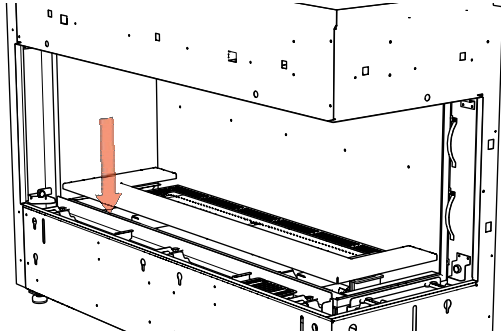
Inner Panels

The CC40RE/CC40LE can be equipped with optional steel inner panels. There are 4 outer panels and 3 inner panels.

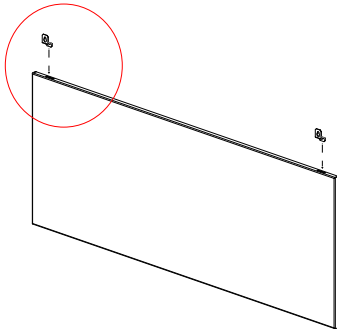
NOTE: CC40RE shown in diagrams—CC40LE panels install in the same order. Installed panels for the CC40LE will appear as mirror images of diagrams shown below.

Turn off unit and allow to cool to room temperature. Remove the safety glass and firebox glass — see manual for instructions.

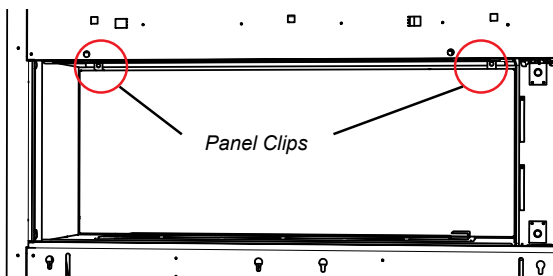
1. Install inner lower base panel.



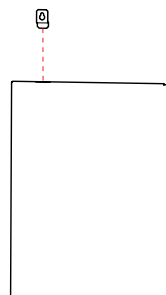
2. Install panel clips into the slots at the top of the back panel as shown.



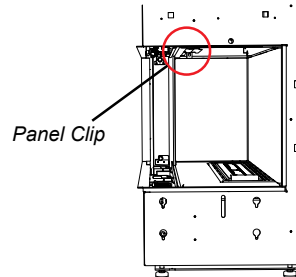
3. Manoeuvre in back panel to the back wall of the unit—secure in place with 2 panel clips and 2 screws.



4. Install panel clip into the slots at the top of the side panel as shown.



5. Manoeuvre in side panel to the side wall of the unit—secure in place with 1 panel clips and 1 screws.

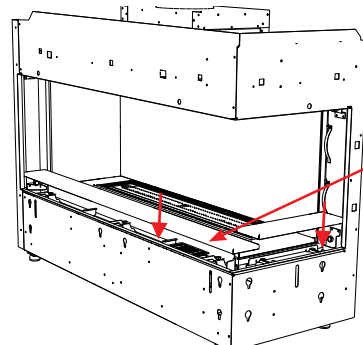


6. Reverse steps to remove panels.

Outer Panels

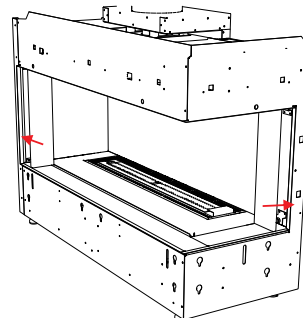
Note: Install inner safety glass prior to installation of outer panels—see instructions in manual

1. Attach Regency logo to the right hand side of outer front panel. The magnets will be positioned under the outer front base panel to secure the logo. The logo should be about 76 mm from the right hand corner of the outer base. Install outer front and side base panel.



Outer base panel install

2. Install side panels - the side panels are secured in place by existing magnets in the unit.



Outer side panel install

3. Install outer safety glass.
4. Reverse steps to remove panels.

Enamel Panel Installation

Black Enamel Panels — Handling Instructions

• Black Enamel panels must be inspected for scratches and dimples prior to installation. All claims to be recorded at this time. Claims for damage after installation will not receive consideration.

• Black Enamel panels will discolor a little during normal operation. This is normal and should not be considered a defect.

★ All hand and finger marks **MUST** be cleaned off with a soft cloth. Use an ammonia based cleaner (ie. glass cleaner) to remove any fingerprints before applying heat to the unit.
Failure to do this will result in burn stain on panels which you will be unable to remove and will not be protected by product warranty.

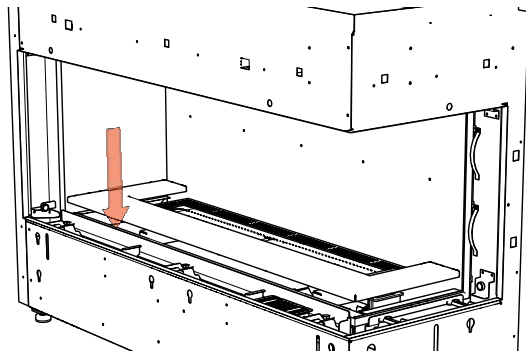
The CC40RE/CC40LE can be equipped with optional enamel panels. There are 4 outer panels and 3 inner panels.

NOTE: CC40RE shown in diagrams—CC40LE panels install in the same order. Installed panels for the CC40LE will appear as mirror images of diagrams shown below.

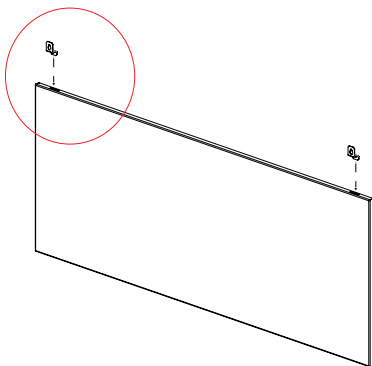
Turn off unit and allow to cool to room temperature. Remove the safety glass and firebox glass — see manual for instructions

INNER PANELS

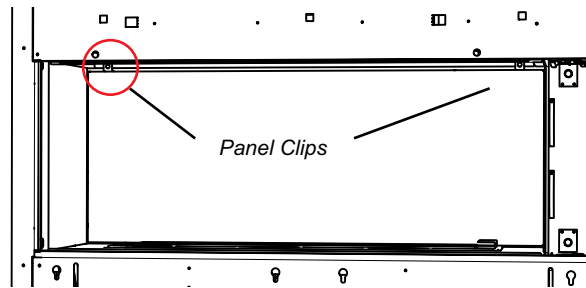
1. Install inner lower base panel.



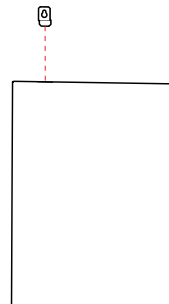
2. Install panel clips into the slots at the top of the back panel as shown.



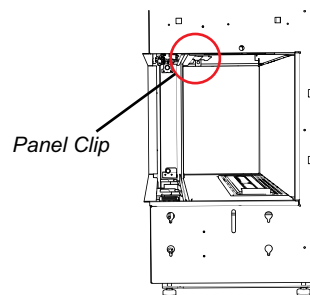
3. Manoeuvre in back panel to the back wall of the unit—secure in place with 2 panel clips and 2 screws.



4. Install panel clip into the slots at the top of the side panel as shown.



5. Manoeuvre in side panel to the side wall of the unit—secure in place with 1 panel clip and 1 screw.

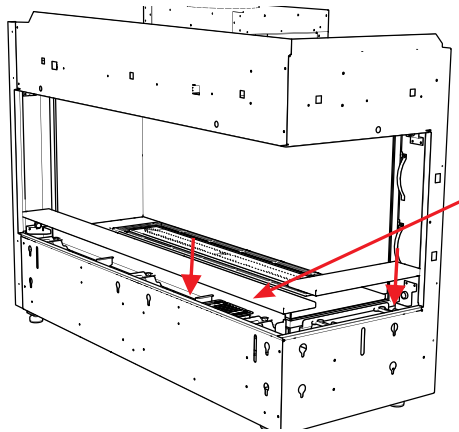


6. Reverse steps to remove panels.

maintenance

Note: Install inner safety glass prior to installation of outer panels-see instructions in manual

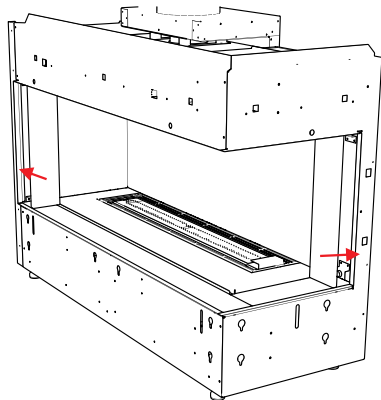
1. Attach Regency logo to the right hand side of outer front panel. The magnets will be positioned under the outer front base panel to secure the logo. The logo should be about 76 mm from the right hand corner of the outer base. Install outer front and side base panel.



*Location of
Regency Logo*

Outer base panel install

2. Install side panels - the side panels are secured in place by existing magnets in the unit.



Outer side panel install

3. Install outer safety glass.
4. Reverse steps to remove panels.

Burner and Firebox Media Options

Spread the media evenly over the burner. Ensure the glass/stones do not overlap excessively as this will affect the flame pattern.

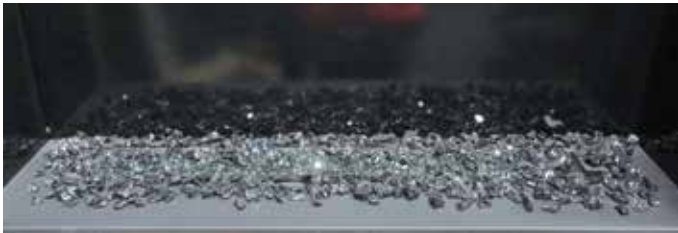
IMPORTANT NOTE:

Only the supplied approved media are to be used with these fireplaces. Use of any other type of glass or stones can alter the unit's performance. Any damage caused by the use of any unapproved glass or stones will not be covered under warranty.

When using Ceramic Spa/Volcanic Stones ensure required glass crystals/beads are used as a base. **DO NOT** overstack Ceramic Spa Stones or Volcanic Stones on burner or in the pilot area. Media must be installed on and around burner only in amounts noted below.

ACB40E Approved Media*	Where Used	Quantity
Fireglass (starfire, copper or black)	On burner	454g
Glowing embers/sea wool (supplied with unit)	On burner	1 bag
Natural Stones	Around burner	1 box = 6.8kg
Ivory Natural Stones	Around burner	1 box = 6.8kg
19mm Crushed black glass	Around burner	1.6kg
Crushed Iceberg chips	Around burner	1.6kg

* Media **not supplied** with unit - must be purchased separately.



19mm Crushed black glass + Black Fireglass



Natural / Ivory Stones + Fireglass



Starfire Fireglass + Iceberg chips

installation

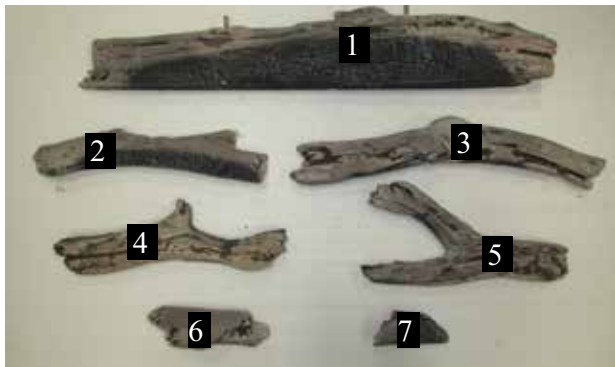
Optional Driftwood Log Set Installation

Read the instructions below carefully and refer to the images. If the logs are broken do not use the unit until they are replaced. Broken logs can interfere with pilot operation.

Improper positioning of the logs may create carbon build-up and can alter the unit's performance which is not covered under warranty.

*Dark brown paint is included if touch ups are required.

1	Rear Log
2	Left Log
3	Right Log
4	Left Cross Log
5	Right Cross Log
6	Front Left Log Piece
7	Front Right Log Piece
	Log Brackets (3)
	Lava rock (purchased separately from log set)
	454g Black Fireglass (purchased separately from log set)
	Glowing wool (supplied with unit)
	19mm Crushed black glass or iceberg chips (purchased separately from log set)

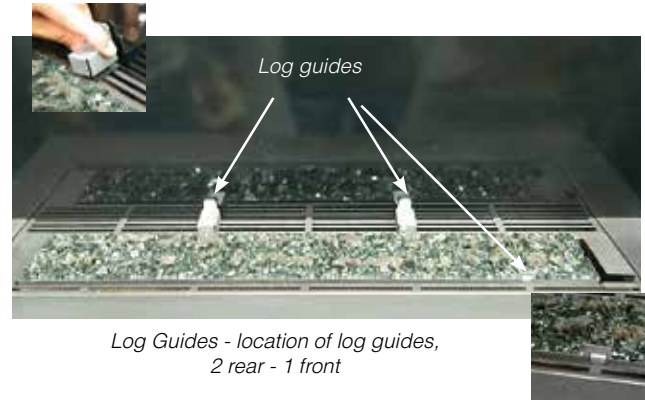


1. Shut off gas and electrical supply, allow unit to cool to room temperature.
2. Remove safety glass and firebox glass (see manual).
3. Carefully remove the logs from the packaging and unwrap them. The logs are fragile, handle with care—never force into position.
4. Install Black Fireglass (680g) and glowing wool on the burner as shown below.

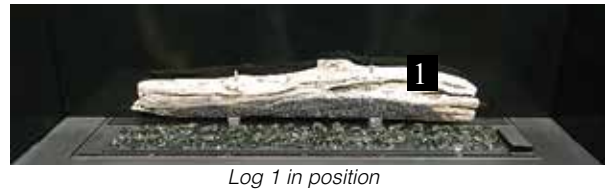


Burner covered with Fireglass and glowing wool

5. Clip on the log guides - position the rear guides by centering over the second and fourth vertical lines at the back of the burner. The front log guide clips on to the front edge of the burner on the right side as shown below.



6. Centre Log 1 and rest on installed rear log guides—with pins facing up.



7. Position Log 2 on the burner—the left edge should be 19mm away from the edge of the burner. The other end of the log on a slight diagonal to the front of the firebox as shown.



Log 2 in position

8. Place the split end of Log 3 to the right front corner of the burner—angle the log so that the other end is sitting approximately 13mm from the edge of the burner tray.



Log 3 placement

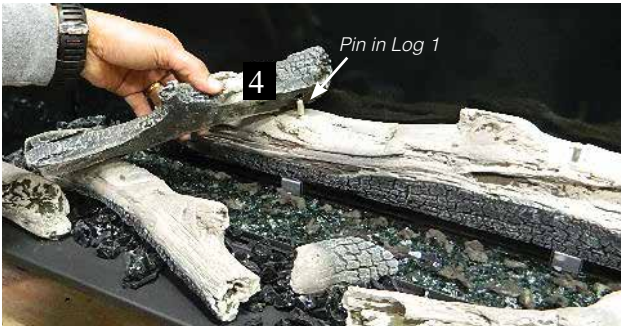
9. Place Log 6 and Log 7 on the burner locations shown below.
10. Before placing the next log—spread the optional media evenly throughout the burner tray as shown.



NOTE: Ensure the installed optional media doesn't completely block the air flow—ensure more than 50% of the airflow is open (shown with 19mm crushed black glass).



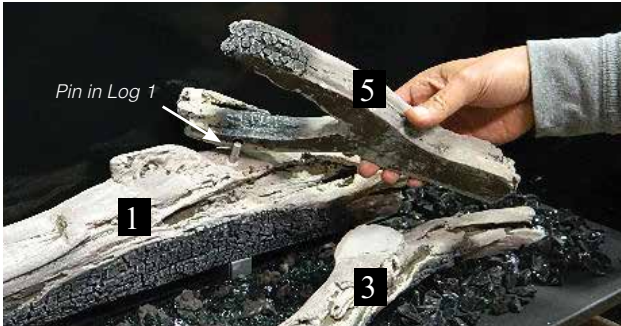
11. Place Log 4—identify the pin locator and match with the left side pin on Log 1.



Rest the other end of Log 4 on the indent in Log 2 as shown below.



12. Place Log 5—identify the pin locator and match with the right side pin on Log 1.



Rest the other end of Log 5 on the indent in Log 3 as shown below.



Add lava rock sparsely around the perimeter of the burner.



Completed Install

installation

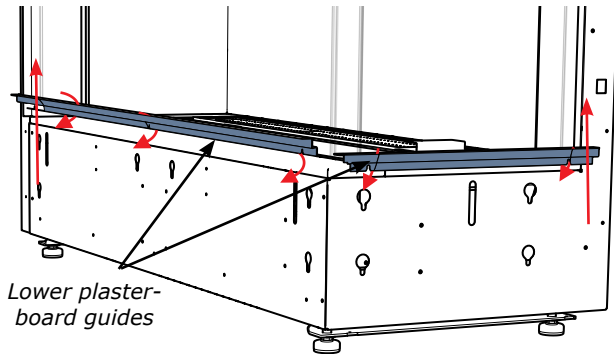
Removable Plasterboard Guides (when using 13 mm plasterboard)

An optional finishing trim is available to finish the edges of the installation on the ACC40RE/ACC40LE unit. Installation is as follows:

1. Remove the outer safety glass and outer front and side panels - see instructions in manual.
2. Loosen 3 screws inside the lower front edge of the unit to release existing lower plasterboard guide and remove guide.

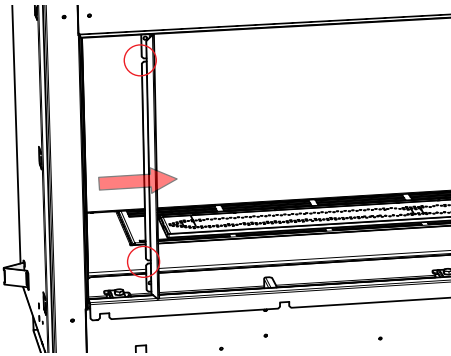
5. Reverse steps to reinstall plasterboard guides (if applicable). If discarding, please recycle.

Note : an offset screwdriver is provided with the appliance for ease of removal/installation of the lip and finishing trim.

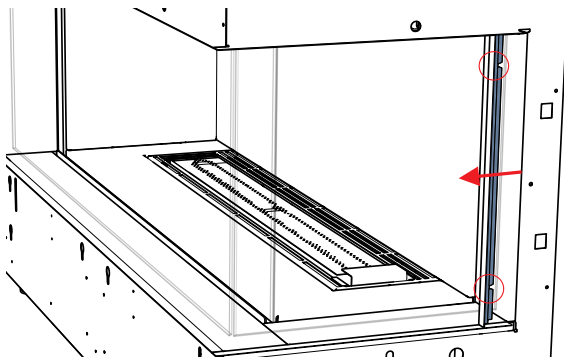


Loosen and tighten screws on drywall guide from inside front panel

3. Loosen 2 screws from inside the firebox to release the existing side plasterboard guide, remove guide and recycle.



4. Loosen 2 screws from inside the firebox to release the existing side plasterboard guide, remove guide and recycle.



Loosen 2 screws from inside the firebox to remove the side plasterboard trim pieces

First Fire

The **FIRST FIRE** in your fireplace is part of the paint curing process. To ensure the paint is properly cured, it is recommended you burn your fireplace for at least four (4) hours the first time.

When first operated, the unit will release an odour caused by the curing of the paint and the burning off of any oils remaining from manufacturing. Smoke detectors in the house may go off at this time. Open a few windows to ventilate the room for a couple of hours. The glass may require cleaning.

NOTE: When the glass is cold and the appliance is lit, it may cause condensation and fog the glass. This condensation is normal and will disappear in a few minutes as the glass heats up.

DO NOT ATTEMPT TO CLEAN THE GLASS WHILE IT IS STILL HOT!

DO NOT BURN THE UNIT WITHOUT THE GLASS IN PLACE.

During the first few fires, a white film may develop on the glass front as part of the curing process. The glass should be cleaned after the unit has cooled down or the film will bake on and become very difficult to remove. Use a non-abrasive cleaner and DO NOT ATTEMPT TO CLEAN THE GLASS WHILE IT IS HOT.

Normal Operating Sounds of Gas Appliances

It is possible that you will hear some sounds from your gas appliance. This is perfectly normal due to the fact that there are various gauges and types of steel used within your appliance. Listed below are some examples. All are **normal operating sounds** and should not be considered as defects in your appliance.

Burner Tray:

The burner tray is positioned directly under the burner tube(s) media and logs and is made of a different gauge material from the rest of the firebox and body. Therefore, the varying thicknesses of steel will expand and contract at slightly different rates which can cause "ticking" and "cracking" sounds. You should also be aware that as there are temperature changes within the unit these sounds will likely re-occur. Again, this is normal for steel fireboxes.

Pilot Flame:

While the pilot flame is on it can make a very slight "whisper" sound.

Gas Control Valve:

As the gas control valve turns ON and OFF, a dull clicking sound may be audible, this is normal operation of a gas regulator or valve.

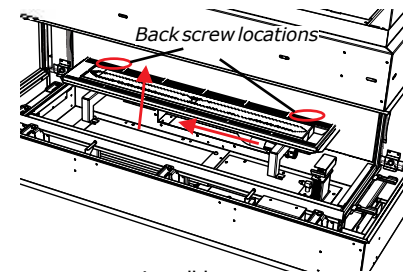
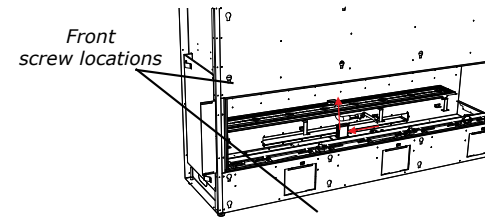
Unit Body/Firebox:

Different types and thicknesses of steel will expand and contract at different rates resulting in some "cracking" and "ticking" sounds will be heard throughout the cycling process.

Aeration Adjustment

The burner aeration is factory set but may need adjusting due to either the local gas supply or altitude. Open the air shutter for a blue flame or close for a more yellow flame.

1. Remove outer safety glass and inner glass panels plus outer and inner base panels - see instructions in this manual.
2. Loosen 4 screws in locations shown below (2 at front and 2 at rear)—slide burner to the left away from the orifice and lift out.



3. Reverse steps to reinstall burner.

Minimum Air Shutter Opening:

NG	2 mm
NG with Logs	2 mm
NG with Stones	2 mm
Propane	7 mm
Propane with Logs	7 mm
Propane with Stones	7 mm
ULPG	Fully Open

Note: Any damage due to carboning resulting from improperly setting the aeration controls is **NOT** covered under warranty.

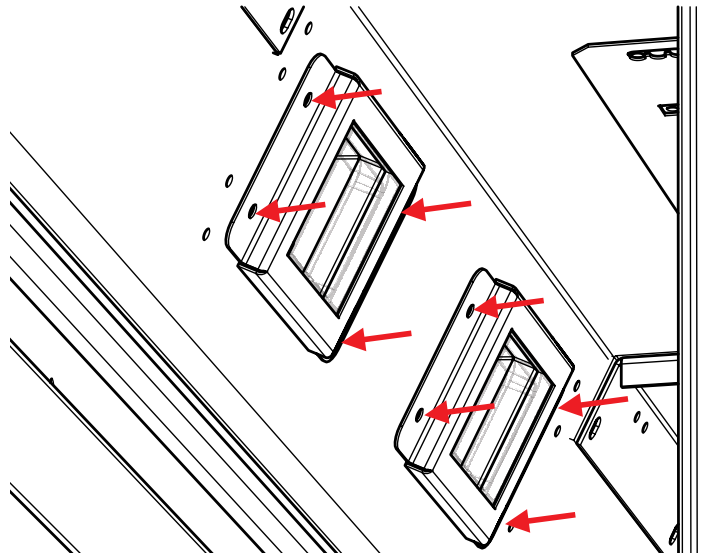
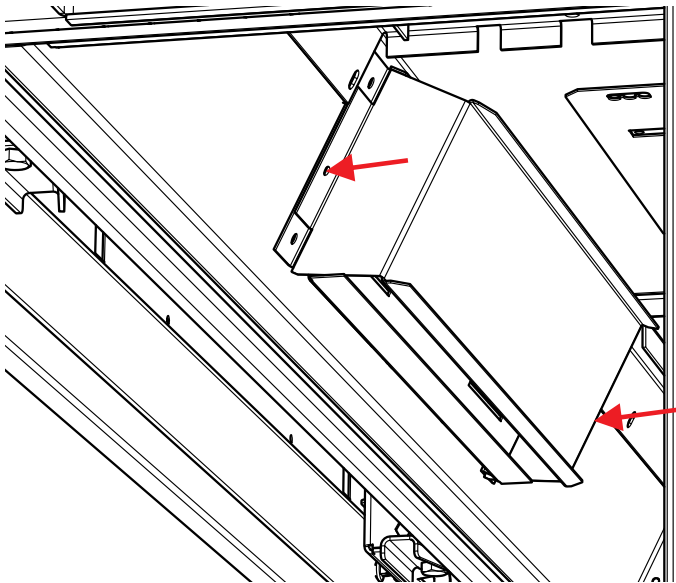
maintenance

Bulb Replacement

1. Turn off unit and allow to cool to room temperature.
2. Remove outer safety glass panels and inner panels (firebox glass)—see instructions in this manual.
3. Loosen 2 outer screws on each side to remove outer light cover — located in the upper inside front of the firebox and remove.
4. Loosen 2 screws on each side of individual inner light cover and remove.
5. Remove glass cover by using a flat head screwdriver to pry the tab securing the glass assembly in place.
6. Replace bulb and reverse steps to complete procedure.

NOTE: Do not handle bulb with bare hands. Use packaging or a tissue to hold new bulb when replacing.

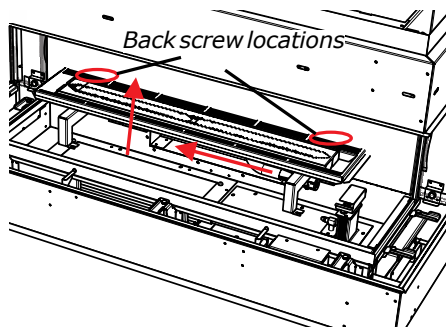
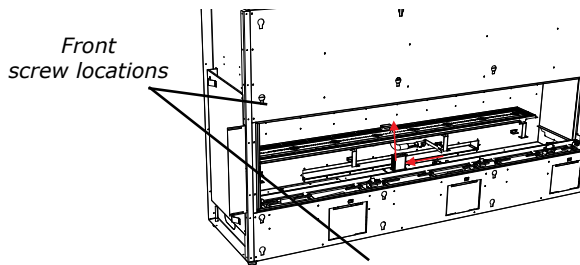
Regency Part# 911-208 Oven Lamp Assembly G9 120V/25W
Regency Part# 911-072 Replacement Bulb G9 120 Volt/25 watt



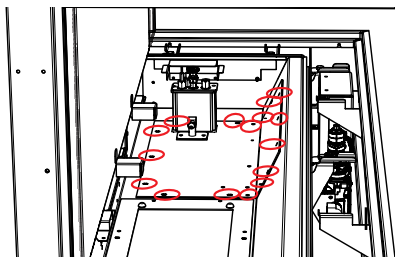
Valve Replacement

Important: Always shut off gas supply/240 volt power prior to servicing the gas valve.

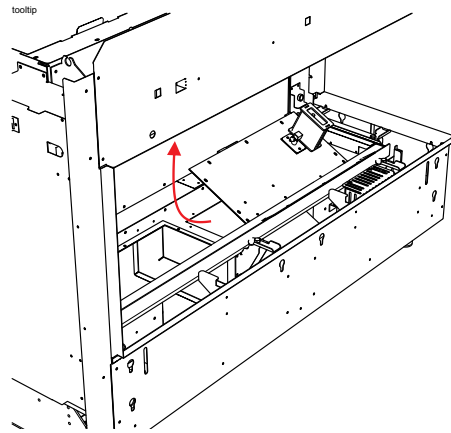
1. Turn off unit and allow to cool to room temperature.
2. Remove outer enamel or steel panels—see instructions in the panel removal section in this manual
3. Remove outer safety glass panels and inner panels (firebox glass)—see instructions in this manual.
4. Remove all media and logs (if installed) — set aside.
5. Loosen 4 screws in locations shown below (2 at front and 2 at rear)—slide burner to the left away from the orifice and lift out.



6. Remove 16 screws in locations shown below.



7. Lift valve tray by out partially and disconnect flexible gas connection on the valve inlet side, remove valve tray- replace with new valve tray.



8. Reverse steps 6-1 to complete.

maintenance

Gas Appliance Maintenance

In order for your Regency appliance to continue to provide comfort to your home periodic maintenance must be performed to ensure it is operating at peak efficiency. The items in the list should be checked by a licensed gas service technician during the annual service check. Your unit may require more frequent maintenance checks if you notice any changes in how it operates. Operational changes to look for can include, but are not limited to, extended start up time, increased fan noise, residue/carbon build up, white build up on the glass/firebox, increased operating noise etc. Should any of these or other conditions arise, discontinue use and schedule a service check with your local licensed gas technician. The list below shows items your licensed service technician will need to check and service at least annually.

Clean

- Glass
- Interior bricks / panels
- Burner ports & burner air shutter
- Fan blades
- Log set
- Pilot orifices
- Pilot hood (change as needed)
- Flame sensor (electronic ignition models)
- Flame electrode
- Burner orifice
- Thermocouple (millivolt models)
- Thermopile (millivolt models)

Inspect

- Pilot assembly
- Burner
- Pressure relief gaskets/doors
- Flue connector gasket if present
- Door seal
- Firebox
- Venting
- Batteries (remote handheld, remote receiver, DC sparker, change as needed)
- Burner media (change as needed)
- Air shutter setting
- Wiring

Check

- Voltage on thermocouple/thermopile (millivolt models)
- Ohms reading on flame sense (electronic ignition models)
- Inlet/outlet fuel pressures as per rating plate
- Voltage/ohms readings on gas valve
- Ohms reading to on/off switch circuit (Millivolt models)

Gas Leak Tests

- Check main gas line connection to valve
- Check shut off valve connections
- Check connection at gas valve outlet
- Check connection at main burner orifice
- Check pilot fuel line at valve and at pilot assembly

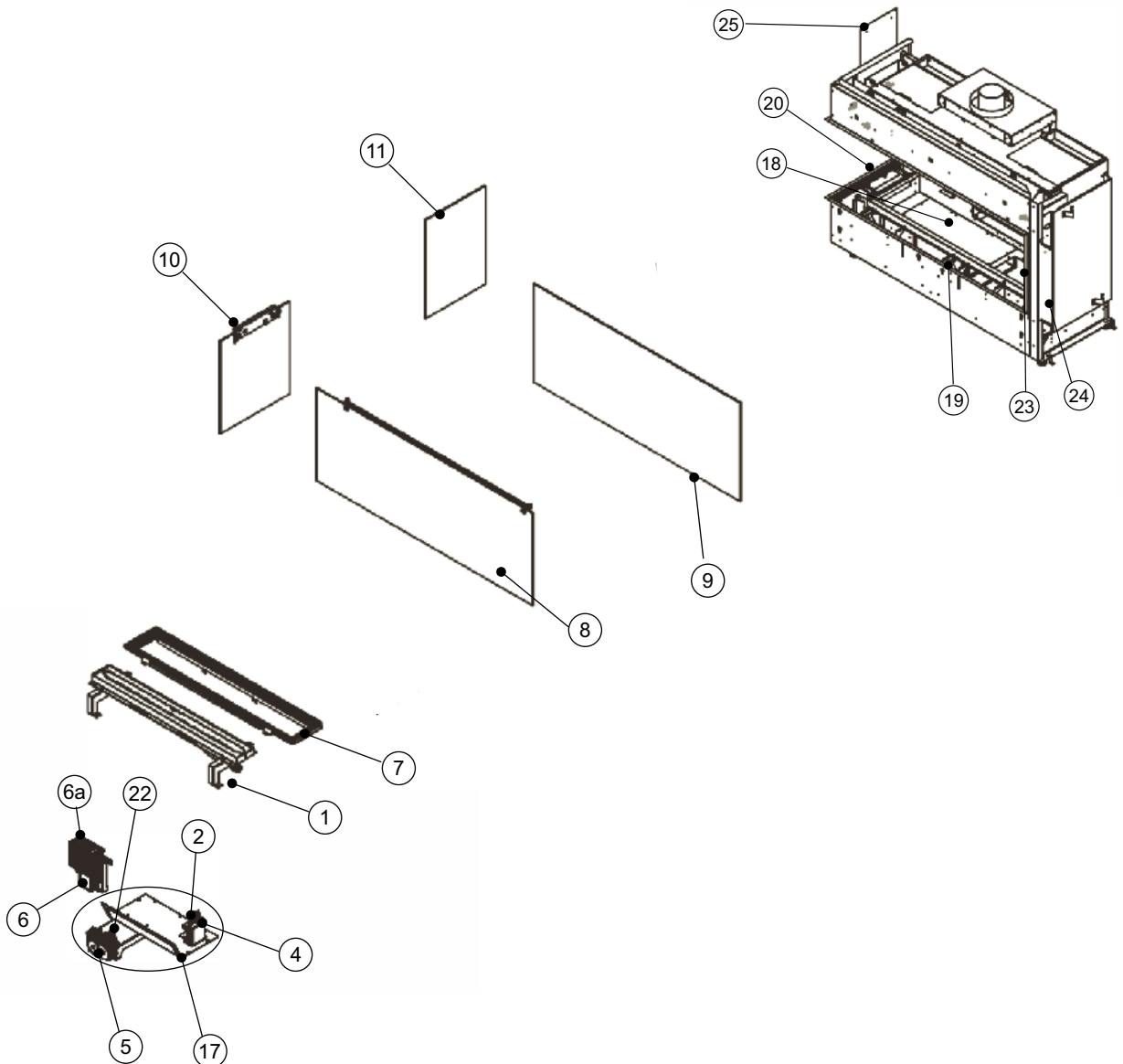
Main Assembly - ACC40LE (Left Corner)

	905-039	Burner Orifice #54 ULPG
1	657-525	Burner Assembly - NG/LP
2	656-046	Pilot Cover/Shield
4	911-006	Pilot Assembly IPI NG 2 Flame 0.199.050
4	911-277	Pilot Assembly IPI LP 2 Flame
5	911-188	Novasit Valve Only - NG 885 SIT IPI 0.885.009
5	911-189	Novasit Valve Only - LP 885 SIT IPI
6	657-276	IFC Cover/Shield
6A	911-298	IFC Board SIT Proflame II CE 0.584.316
7	656-045	Burner Surround
8	940-486/P	Outer Barrier Tempered Glass Assembly - Large
9	940-436/P	Flush Inner Ceramic Glass - Large
N/S	656-062	Outer Base Cover Black
10	940-440/P	Outer Safety Glass Side - Tempered Small
11	940-437/P	Flush Inner Ceramic Glass Small
17	656-574/P	Valve Assembly - NG
17	656-776/P	Valve Assembly - LP
18	656-033F	Bottom Cover Access Plate
18	656-034	Bottom Cover Access Gasket
19	656-309	Removable Plasterboard Finishing
20	656-124	Removable Plasterboard Finishing Trim
22	911-190	Stepper Motor NG SIT 0.907.015
22	911-191	Stepper Motor LP SIT 0.907.015
23	656-125	Removable Plasterboard Vertical Finishing Trim Left/Right
24	656-241F	Nailing Strip Side
25	656-247F	Nailing Strip Top
N/S	846-694	16 mm Sewn Rope Graphite 19 mm PSA Gasket (14.2 m)(936-219)
N/S	904-943	Bracket Dormont Orifice Mount 10-BZ001-19.5
N/S	846-696	Gasket Tape 52 mm Wide Graphite (2.4 m) (936-220)
N/S	656-051	Baffle Cover (Each)
N/S	904-996	Burner Orifice 2.40 mm (PO512)
N/S	904-947	Burner Orifice #53 LP (PO512)
N/S	910-100	Pilot Orifice SIT - NG #62 977.166
N/S	910-037	Pilot Orifice SIT - LP #30 977.167
N/S	911-037	Flame Sensor 0.915.905
N/S	911-038	Flame Electrode 0.915.020
N/S	910-432	Novasit Pilot Tubing With Nuts
N/S	911-039	Two Way Pilot Hood
N/S	911-137	Pilot Hood Clip
N/S	904-658	Inlet Flex Line Gas SS Steel 610 mm
N/S	904-606	Fitting 90 Street Elbow Extruded
N/S	904-165	Fitting 3/8 Male Flarex Mpt Strt Adaptor
N/S	W840470	Pilot Assembly Gasket
N/S	656-040	Valve Assembly Gasket
N/S	656-039	Burner Orifice Mount Gasket
N/S	911-299	Remote Control GTMFL CE SIT 0.584.052
N/S	911-337/P	Remote Receiver/Battery Holder 584.103
N/S	911-335	Cover Wall Mount White 0.584.813

N/S	911-343	Cover Wall Mount Black 0.584.812
N/S	911-173	Wire Harness IFC No CPI Switch 584.924
N/S	911-177	Wire 4 Position IFC Fan & Light
N/S	911-181	Wire Harness Battery Box Proflame II
N/S	911-243-ASM	Power Cord 240 Volts With Connector
N/S	911-193	Connector With Jumper
N/S	911-209	Wire 2 Position IFC to Lights
N/S	910-369	Receptacle Box Low Voltage SC100A
N/S	910-428	Receptacle Duplex White
N/S	910-429	Receptacle Box Duplex Metal
N/S	910-430	Receptacle Cover Duplex Metal
N/S	904-687	Connector Clamp 3/8 CI-804
N/S	948-078	Glass Suction Cup (Each)
N/S	904-790	Magnet Round 13 mm (Each)
N/S	904-970	Magnet Cup 13 mm (Each)
N/S	948-223	Logo Plate Plastic Regency/Flame Silver
N/S	656-550	Logo Mounting Bracket
N/S	656-017F	Restrictor Plate
N/S	656-018	Pressure Relief Base
N/S	656-023	Pressure Relief Base Gasket
N/S	656-019	Pressure Relief Bracket Right
N/S	656-020	Pressure Relief Bracket Left
N/S	656-021F	Pressure Relief Door
N/S	656-022	Pressure Relief Door Gasket
N/S	656-075F	Rear Standoff (Each)
N/S		Oven Lamp Assembly G9 120V 25W
N/S	656-086	Light Glass Bracket
N/S	911-300	Replacement Bulb G9 120 Volt/25 watt
N/S	656-087	Light Rear Louver
N/S	656-088	Light Cover Plate
N/S	656-089	Light Deflector Shield
N/S	656-085	Gasket Light Cover Gasket
N/S	656-079	Top Glass Clamp Left (Each)
N/S	656-080	Top Glass Clamp Right (Each)
N/S	656-269	Lower Glass Clamp (Each)
N/S	656-052	Lower Glass Clamp Bracket (Each)
N/S	656-617	Pressure Relief Door Frame Assembly/Includes Gasket
		Optional Accessories
N/S	656-927*	Inner Panel Black (Painted)
N/S	656-928*	Inner Panel Enamel Black
*		Sold only as complete sets
N/S	656-291	Inner Top Panel Clip (Used on the 656-927)
N/S	656-059	Inner Top Panel Clip (Used on the 656-928)
N/S	656-930/P	Driftwood Log Set
N/S	657-968	Conversion Kit - Propane ULPG
N/S	656-991	Chase Flue Front Black
N/S	656-995	Adaptor Heat Wave
N/S	946-591	Heatwave Fan Kit

parts list

N/S	946-675	Fireglass Black Reflective 6mm /454g Pkg
N/S	946-676	Fireglass Copper 6mm /454g Pkg
N/S	946-677	Fireglass Starfire 6mm /454g Pkg
N/S	946-596	Heatwave Duct Kit
N/S	946-780	Crushed Glass Coal Black 19mm / 1.6kg
N/S	946-739	Firebeads Black 2.3kg Pkg
N/S	946-710	Stones -Slate/Grey Basalt Natural 6.8kg
N/S	946-711	Stones - Ivory/Tan Basalt Natural 6.8kg
N/S	657-991	Chase Flue Flush Front White
N/S	656-953	Chase Steel Framing Kit



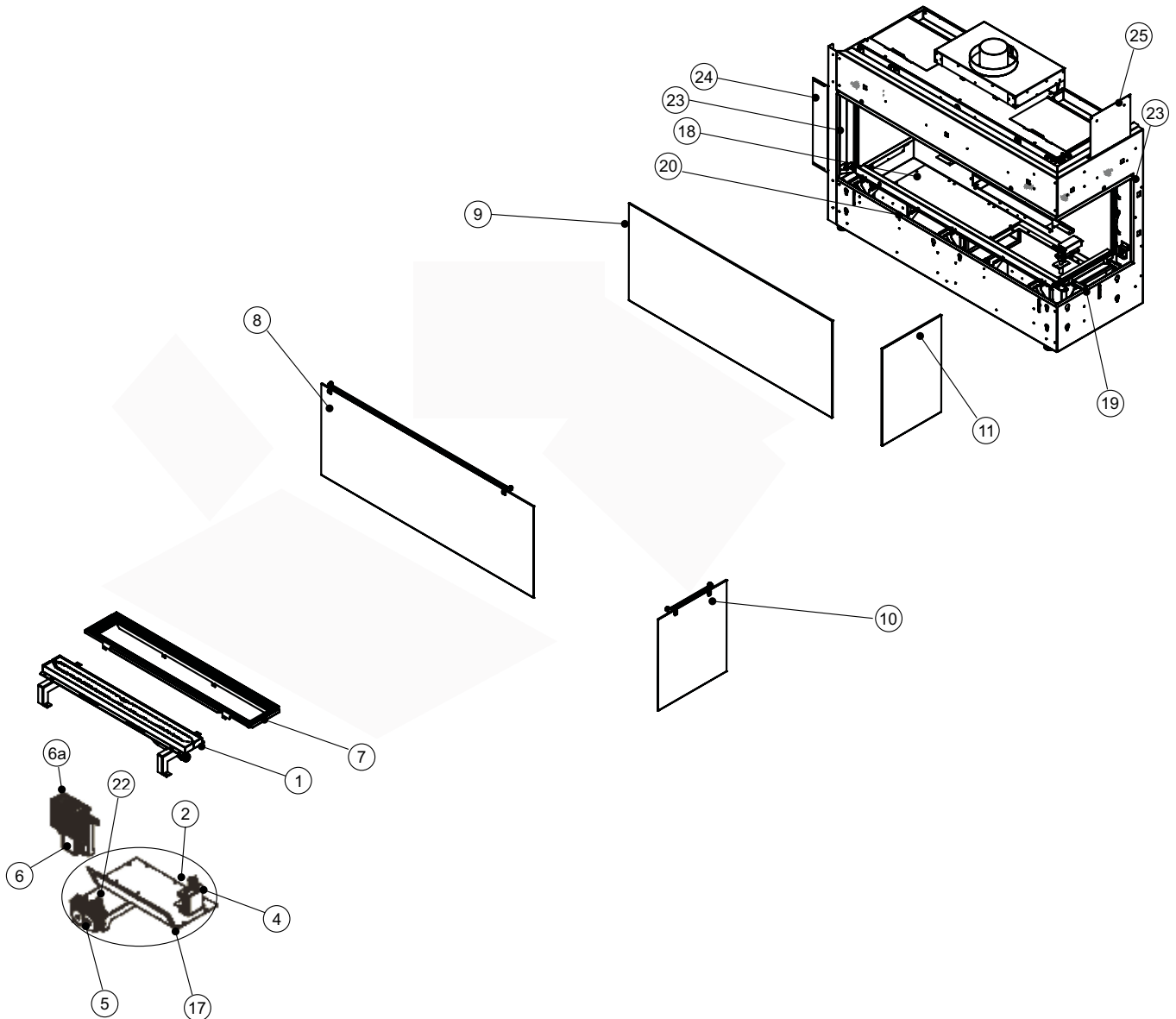
Main Assembly - ACC40RE (Right Corner)

	905-039	Burner Orifice #54 ULPG
1	657-525	Burner Assembly - NG/LP
2	656-046	Pilot Cover/Shield
4	911-276	Pilot Assembly IPI NG 2 Flame
4	911-277	Pilot Assembly IPI LP 2 Flame
5	911-188	Novasit Valve Only - NG 885 SIT IPI 0.885.009
5	911-189	Novasit Valve Only - LP 885 SIT IPI
6	657-009	IFC Cover/Shield
6A	911-298	IFC Board SIT Proflame II CE 0.584.316
7	656-045	Burner Surround
8	940-485/P	Outer Barrier Tempered Glass Assembly - Large
9	940-436/P	Flush Inner Ceramic Glass - Large
N/S	656-062	Outer Base Cover Black
10	940-439/P	Outer Safety Glass Side - Tempered Small
11	940-437/P	Flush Inner Ceramic Glass Small
12	846-694	16 mm Sewn Rope Graphite 19 mm PSA Gasket (14.2 m) (936-219)
N/S	846-696	Gasket Tape 52 mm Wide Graphite (2.4 m) (936-220)
17	657-774/P	Valve Assembly - NG
17	657-776/P	Valve Assembly - LP
18	656-033F	Bottom Cover Access Plate
18	656-034	Bottom Cover Access Gasket
19	656-127	Removable Plasterboard Finishing Trim
20	656-293	Removable plasterboard Finishing Trim
22	911-190	Stepper Motor NG SIT 0.907.015
22	911-191	Stepper Motor LP SIT 0.907.015
23	656-125	Removable Drywall Vertical Finishing Trim Left/Right
24	656-241F	Nailing Strip Side
25	656-247F	Nailing Strip Top
N/S	904-943	Bracket Dormont Orifice Mount 10-BZ001-19.5
N/S	656-051	Baffle Cover (Each)
N/S	904-996	Burner Orifice #42 NG (PO512)
N/S	904-947	Burner Orifice #53 LP (PO512)
N/S	910-036	Pilot Orifice SIT - NG #51 977.165
N/S	910-037	Pilot Orifice SIT - LP #30 977.167
N/S	911-037	Flame Sensor 0.915.905
N/S	911-038	Flame Electrode 0.915.020
N/S	910-432	Novasit Pilot Tubing With Nuts
N/S	911-039	Two Way Pilot Hood
N/S	911-137	Pilot Hood Clip
N/S	904-658	Inlet Flex Line Gas SS Steel 610 mm
N/S	904-606	Fitting 90 Street Elbow Extruded
N/S	904-165	Fitting 3/8 Male Flarex Mpt Strt Adaptor
N/S	W840470	Pilot Assembly Gasket
N/S	656-040	Valve Assembly Gasket
N/S	656-039	Burner Orifice Mount Gasket
N/S	911-299	Remote Control GTMFL CE SIT 0.584.052
N/S	911-337/P	Remote Receiver/Battery Holder 584.103
N/S	911-335	Cover Wall Mount White

N/S	911-343	Cover Wall Mount Black
N/S	911-173	Wire Harness IFC No CPI Switch 584.924
N/S	911-177	Wire 4 Position IFC Fan & Light
N/S	911-181	Wire Harness Battery Box Proflame II
N/S	911-243-ASM	Power Cord 240 Volts With Connector
N/S	911-193	Connector With Jumper
N/S	911-209	Wire 2 Position IFC to Lights
N/S	948-078	Glass Suction Cup (Each)
N/S	904-790	Magnet Round 13 mm (Each)
N/S	904-970	Magnet Cup 13 mm (Each)
N/S	948-223	Logo Plate Plastic Regency/Flame Silver
N/S	656-131	Logo Mounting Bracket
N/S	656-017F	Restrictor Plate
N/S	656-018	Pressure Relief Base
N/S	656-023	Pressure Relief Base Gasket
N/S	656-019	Pressure Relief Bracket Right
N/S	656-020	Pressure Relief Bracket Left
N/S	656-021F	Pressure Relief Door
N/S	656-022	Pressure Relief Door Gasket
N/S	656-075F	Rear Standoff (Each)
N/S		Oven Lamp Assembly G9 240V 25W
N/S	656-086	Light Glass Bracket
N/S	911-300	Replacement Bulb G9 240 Volt/25 watt
N/S	656-087	Light Rear Louver
N/S	656-088	Light Cover Plate
N/S	656-089	Light Deflector Shield
N/S	656-085	Gasket Light Cover Gasket
N/S	656-079	Top Glass Clamp Left (Each)
N/S	656-080	Top Glass Clamp Right (Each)
N/S	656-269	Lower Glass Clamp (Each)
N/S	656-052	Lower Glass Clamp Bracket (Each)
N/S	656-617	Pressure Relief Door Frame Assembly/Includes Gasket
		Optional Accessories
N/S	656-927*	Inner Panel Black (Painted)
N/S	656-928*	Inner Panel Enamel Black
*		Sold only as complete sets
N/S	656-291	Inner Top Panel Clip (Used on the 656-927)
N/S	656-059	Inner Top Panel Clip (Used on the 656-928)
N/S	656-930/P	Driftwood Log Set

parts list

N/S	657-968	Conversion Kit - Propane ULPG
N/S	656-991	Chase Flue Front Black
N/S	656-995	Adaptor Heat Wave
N/S	656-953	Chase Steel Framing Kit
N/S	657-991	Chase FLue Flush Front White
N/S	946-591	Heatwave Fan Kit
N/S	946-675	Fireglass Black Reflective 6.35 mm 454g Pkg
N/S	946-676	Fireglass Copper 6 mm / 454g Pkg
N/S	946-677	Fireglass Starfire 6mm / 454g Pkg
N/S	946-596	Heatwave Duct Kit
N/S	946-780	Crushed Glass Coal Black 19 mm / 1.6 kg
N/S	946-710	Stones -Slate/Grey Basalt Natural 6.8 kgs
N/S	946-711	Stones - Ivory/Tan Basalt Natural 6.8 kgs



warranty

Limited Lifetime Warranty

FPI Fireplace Products International Ltd. (“the manufacturer”) through its wholly owned subsidiary, Fireplace Products Australia Pty Ltd (for Australia and New Zealand customers) and sold under the Regency® brand of fireplace products (collectively referred to herein as “FPI”), extends this Limited Lifetime Warranty to the original purchaser of this appliance provided the product remains in the original place of installation. The items covered by this limited warranty and the period of such coverage is set forth in the table below.

Some conditions apply (see below).

The policy is not transferable, amendable or negotiable under any circumstances.

Indoor Gas Products Warranty Coverage Parts and Labor	Part				Supplier	Labor Coverage
	Lifetime	5 years	2 years	1 year	Warranty	(Years)
Firebox and Heat Exchanger	✓					3
Steel Burner Tube	✓					3
Glass Thermal breakage only	✓					3
All Surrounds/Inlays Finishes		✓				3
Brick Panels/Log sets/Ceramic Burners		✓				3
All Castings		✓				3
Valve assembly and all gas control components (Pilot assembly, flame sensors, Spark Electrode, Pilot Tubing, Orifices, Thermocouple, Thermopile)			✓			2
All Other Electrical components with the exception of WIFI Dongle (Ignition Control Boards, Wiring, Switches, Fans, Fan Control Module, Battery Pack, Remote Control Systems)			✓			1
Enamel Panels			✓			1
Venting/Venting Components			✓			1
All Stainless steel surrounds				✓		1
All Firebox Media (Crystals, Fire beads, Volcanic, Ceramic & Spa Stones)				✓		1
All hardware				✓		1
Mesh/Glass Safety Barriers				✓		1
Accent Light Bulbs				✓		1
Glass (Crazing)				✓		1
WIFI Dongle (Applicable Models)				✓		1

After the original warranty coverage for any of the parts above have expired, any repair and/or replacement parts purchased by the consumer from FPI or through an accredited distributor or dealer will carry a ninety (90) day warranty (valid only with an original copy of the tax invoice). No labor coverage is included with any repair and/or replacement part.

Replacement parts are limited to one per warranty term.

Conditions:

Warranty protects against defect in manufacture or FPI factory assembled components only, unless herein specified otherwise. This warranty will only apply to those products which are acquired at the time of this warranty being effective. FPI will not be liable for any damage or loss that falls outside the scope of the warranty.

Any part(s) found to be defective during the warranty period as outlined above will be repaired or replaced at FPI's option through an accredited distributor, dealer or pre-approved and assigned agent provided that the defective part is returned to the distributor, dealer or agent for inspection if requested by FPI. Alternatively, FPI may at its own discretion fully discharge all of its obligations under the warranty by refunding the verified purchase price of the product to the original purchaser. The purchase price must be confirmed by an original copy of the tax invoice.

The authorised selling dealer, or an alternative authorised FPI dealer if pre-approved by FPI, is responsible for all in-field diagnosis and service work related to all warranty claims. This warranty does not cover dealer travel costs for diagnostic or service work. Dealers may charge homeowner for travel and additional time. Check with your selling dealer in advance for any costs to you when arranging a warranty call. FPI is not responsible for results or costs of workmanship of unauthorised FPI dealers or agents in the negligence of their service work. Additional service fees may apply if you are seeking warranty service from a dealer other than the dealer from whom you originally purchased the product.

At all times FPI reserves the right to inspect reported complaints on location in the field claimed to be defective and determine whether the warranty will apply prior to processing or authorising of any claim. Failure to allow this upon request will void the warranty.

All warranty claims must be submitted by the dealer servicing the claim, including an original copy of the tax invoice (proof of purchase by you). All claims must be complete and provide full details as requested by FPI to receive consideration for evaluation, including proof of maintenance records. Incomplete claims may be rejected. FPI has absolute discretion to assess and determine any warranty claim and may accept or reject a claim as it considers appropriate. Any part or parts of the unit found to be defective will be repaired or replaced at FPI's option, through an accredited distributor or service agent provided that the defective part be returned to the distributor or agent, Transportation Prepaid, if requested. **It is the general practice of FPI to charge for larger, higher priced replacement parts and issue credit once the replaced component has been returned to FPI and evaluated for manufacturer defect.**

If a consumer has a unit installed outside an accredited distributor, dealer or pre-approved service agent's service area, or the closest approved service agent is situated more than thirty (30) kilometres from the installation, FPI is not obliged to arrange warranty repairs or shipping/transportation costs. In these cases, the consumer must arrange warranty service with its selling dealer, and shipping, travel and/or additional labor charges will apply.

Unit must be installed according to all manufacturers' instructions as per the manual.

All Local and National required codes must be met.

The installer is responsible to ensure the unit is operating as designed at the time of installation.

The original purchaser is responsible for annual maintenance of the unit, as outlined in the owner's manual. As outlined below, the warranty may be voided due to problems caused by lack of maintenance. Annual maintenance records should be retained.

Repair/replacement parts purchased by the consumer from FPI after the original coverage has expired on the unit will carry a 90 day warranty, valid with a receipt only. Any item shown to be defective will be repaired or replaced at our discretion. No labor coverage is included with these parts.

Exclusions:

This Limited Lifetime Warranty does not extend to paint, rust or corrosion of any kind due to a lack of maintenance or improper venting, combustion air provision, corrosive chemicals (i.e. chlorine, salt, air, etc.), door or glass gasket.

Malfunction, damage or performance based issues as a result of environmental conditions, location, chemical damages, downdrafts, installation error, installation by an unqualified installer, incorrect chimney components (including but not limited to cap size or type), operator error, abuse, misuse, use of improper fuels, accidents, lack of regular maintenance and upkeep, acts of God, weather related problems from hurricanes, tornados,

warranty

earthquakes, floods, lightning strikes/bolts or acts of terrorism or war, which result in malfunction of the appliance are not covered under the terms of this Limited Lifetime Warranty.

FPI has no obligation to enhance or modify any unit once manufactured (i.e. as products evolve, field modifications or upgrades will not be performed on existing appliances).

Any unit showing signs of neglect or misuse will not be covered under the terms of this warranty policy and may void this warranty. This includes units with rusted or corroded fireboxes which have not been reported as rusted or corroded within three (3) months of installation/purchase. Any alteration to the unit which causes sooting or carboning that results in damage to the exterior fascia or over firing that can cause component or firebox/heat exchanger failure will not be covered by this warranty.

Units which show evidence of being operated while damaged, or with problems known to the purchaser and causing further damages will void this warranty.

Units where the serial no. has been altered, deleted, removed or made illegible will void this warranty.

Minor movement, expansion and contraction of the steel is normal and is not covered under the terms of this warranty.

Freight damages for products or parts are not covered under the terms of the warranty.

Porcelain/Enamel: Absolute perfection is neither guaranteed nor commercially possible. Any chips must be reported and inspected by the authorised selling dealer within three (3) days of installation. Any damage of this type not reported after this time period will be subject to rejection and any related warranty will not apply.

Special Finishes: Expect some changes in color as the product "ages" with constant heating and cooling. The manufacturer warranty does not cover tarnishing, changing colors and/or marks (i.e. finger prints, etc.) after the purchase of the product. Damage from the use of abrasive cleaners is not covered by warranty.

Products made or provided by other manufacturers and used in conjunction with the FPI appliance without prior authorisation from FPI may void this warranty.

INCORRECT INSTALLATION OR GAS PRESSURE SETTINGS ARE NOT COVERED BY WARRANTY. A SERVICE OR CALLOUT FEE WILL BE CHARGED IN THESE CIRCUMSTANCES.

Limitations of Liability:1. Exclusion of implied terms

The customer may have the benefit of consumer guarantees under the Australian Consumer Law. To the maximum extent permitted by law, all terms, conditions or warranties that would be implied into this Warranty or in connection with the supply of any goods or services by the supplier under law or statute or custom or international conventions are excluded.

2. Limitation of liability

(a) To the maximum extent permitted by law and subject to clauses 1 and 3, the supplier's total liability arising out of or in connection with its performance or its obligations pursuant to this Warranty, or arising out of or in connection with the supply of specific goods or services (including pursuant to or for breach of this Warranty, under statute, in equity or for tort, including negligent acts or omissions) is limited as follows: (i) the supplier shall have no liability to the customer for any Consequential Loss; (ii) without limiting the effect of clause 2(a)(i), the supplier's total aggregate liability for Loss, however arising, shall not exceed the GST exclusive aggregate price paid by the customer to the supplier for the specific goods or services that gave rise to the Loss in question.

(b) The limitations and exclusions in this sub-clause do not apply to the extent that any Loss is directly attributable to: (i) the personal injury or death caused by the supplier's default, breach of this Warranty or negligence; or (ii) fraud by the supplier.

(c) Each party must take reasonable steps to mitigate any Loss it suffers or incurs.

3. Limitation of liability under Australian Consumer Law Guarantees

(a) To the extent that goods supplied by the supplier are not goods of a kind ordinarily acquired for personal, domestic or household use and the customer is deemed to be a consumer for the purposes of section 64A of the Australian Consumer Law, the customer agrees that the supplier's liability for a failure to comply with a consumer guarantee that the customer may have a benefit under the Australian Consumer Law (other than a guarantee under sections 51 (title), 52 (undisturbed possession) and 53 (undisclosed securities)), is limited to, at the option of the supplier, one or more of the following: (i) replacement of the goods or the supply of equivalent goods; (ii) the repair of the goods; (iii) the payment of the cost of replacing the goods or of acquiring equivalent goods; or (iv) equivalent goods; or (v) the payment of the cost of having the goods repaired.

(b) To the extent that services supplied by the supplier are services other than services of a kind ordinarily acquired for personal, domestic or household use or consumption, the supplier's liability for failure to comply with a consumer guarantee that the customer may have the benefit of is limited to, at the option of the supplier: (i) the supply of the services again; or (ii) the payment of the cost of having the services supplied again.

4. Subject to Change

This Limited Warranty is given at the time of sale and purchase of the relevant fireplace product. The terms of this Limited Warranty may be amended from time to time by FPI in accordance with changes to business practices, consumer laws or other legal requirements. The rights and protections granted under the Limited Warranty are those in force in relation to a fireplace product at the time and in the place of sale of that product, and only those terms will be applicable in respect of that product.

5. Severability

Any term of this Limited Warranty that is invalid or unenforceable in any jurisdiction is to be read down for the purposes of that jurisdiction, if possible, so as to be valid and enforceable, and is otherwise capable of being severed to the extent of the invalidity or unenforceability, without affecting the remaining provisions of this Limited Warranty or affecting the validity or enforceability of that provision in any other jurisdiction.

6. Definitions

For purposes of clauses 1, 2 and 3:

(a) Consequential Loss means loss of expected savings, loss of use, loss of opportunity, loss of profit, loss of revenue, increased financing costs, loss arising from delay, or any consequential, special or indirect loss or damage, whether or not the possibility or potential extent of the loss or damage was known or foreseeable, and whether arising from a claim under indemnity, contract, tort (including negligence), statute or otherwise.

(b) Loss means any expense, cost or damage of any kind and includes Consequential Loss and a fine or penalty imposed by a statutory or other authority.

warranty

How to Obtain Warranty Service:

Customers should contact the authorised selling dealer to obtain warranty service. In the event the authorised selling dealer is unable to provide warranty service, please contact FPI by mail at the address listed below. Please include your name, address, purchase date, selling dealer, serial #, type of unit, a brief description of the problem, email and telephone contact information, and a copy of your original tax invoice. A representative will contact you to make arrangements for an inspection and/or warranty service. (See below for Western Australia and/or New Zealand)

Please note Fireplace Products Australia Pty Ltd does not provide installation services.

Fireplace Products Australia Pty Ltd

99 Colemans Road
Dandenong, VIC
Australia, 3175
Phone: +61 3 9799 7277
Fax: +61 3 9799 7822

To obtain warranty service in Western Australia and/or New Zealand, please contact one of our authorised distributors in those areas:

Western Australia:

Air Group Australia
131 Bannister Rd
Canning Vale WA
Australia, 6155
Phone: (08) 9350 2200
Fax: (08) 9353 4225

New Zealand:

Aber Holdings Ltd
PO Box 10095
Te Rapa, Hamilton

New Zealand, 3241

Freephone: 0800 161 161

Product Registration and Customer Support:

Thank you for choosing a Regency Fireplace. Regency strives to be a world leader in the design, manufacture, and marketing of hearth products. To provide the best support for your product, we request that you complete a product registration form at <http://www.regency-fire.com.au/Customer-Care/Warranty-Registration.aspx> within ninety (90) days of purchase.



Product Registration and Customer Support:

Thank you for choosing a Regency Fireplace. Regency strives to be a world leader in the design, manufacture, and marketing of hearth products. To provide the best support for your product, we request that you complete a product registration form found on our Web Site under Customer Care within ninety (90) days of purchase.

For purchases made in **CANADA or the UNITED STATES:**

<http://www.regency-fire.com/Customer-Care/Warranty-Registration.aspx>

For purchases made in **AUSTRALIA:**

<http://www.regency-fire.com.au/Customer-Care/Warranty-Registration.aspx>

You may also complete the warranty registration form below to register your Regency Fireplace Product and mail and/or fax it back to us, and we will register the warranty for you. It is important you provide us with all the information below in order for us to serve you better.

Warranty Registration Form (or Register online immediately at the above Web Site):

Warranty Details	
Serial Number (required):	
Purchase Date (required) (mm/dd/yyyy):	
Product Details	
Product Model (required):	
Dealer Details	
Dealer Name (required):	
Dealer Address:	
Dealer Phone #:	
Installer:	
Date Installed (mm/dd/yyyy):	
Your Contact Details (required)	
Name:	
Address:	
Phone:	
Email:	

For purchases made in **CANADA:**

FPI Fireplace Products International Ltd.
6988 Venture St.
Delta, British Columbia
Canada, V4G 1H4

Phone: 604-946-5155
Fax: 1-866-393-2806

For purchases made in the **UNITED STATES:**

Fireplace Products US, Inc.
PO Box 2189 PMB 125
Blaine, WA
United States, 98231

Phone: 604-946-5155
Fax: 1-866-393-2806

For purchases made in **AUSTRALIA:**

Fireplace Products Australia Pty Ltd
99 Colemans Road
Dandenong South, Vic. 3175
Australia

Phone: +61 3 9799 7277
Fax: +61 3 9799 7822

For fireplace care and tips and answers to most common questions please visit our Customer Care section on our Web Site. Please feel free to contact your selling dealer if you have any questions about your Regency product.

warranty

Installer: Please complete the following information

Dealer Name & Address: _____

Installer: _____

Phone #: _____

Date Installed: _____

Serial #: _____