



Alterra Pro™ i3000A/i3000R Wood Fireplace Insert

Owners & Installation Manual



MODEL: i3000A/i3000R

Tested & listed by:



Installer: Please complete the details on the back cover
and leave this manual with the homeowner.
Homeowner: Please keep these instructions for future reference.

Thank you for purchasing a
REGENCY FIREPLACE PRODUCT.

The pride of workmanship that goes into each of our products will give you years of trouble-free enjoyment. Should you have any questions about your product that are not covered in this manual, please contact the **REGENCY DEALER** in your area.

"This wood heater has a manufacturer set minimum low burn rate that must not be altered. It is against federal regulations to alter this setting or otherwise operate this wood heater in a manner inconsistent with operating instructions in this manual." Failure to follow the manual details can lead to smoke and CO emissions spilling into the home. It is recommended to have monitors in areas that are expected to generate CO such as heater fueling areas.

"U.S. ENVIRONMENTAL PROTECTION AGENCY Certified to comply with 2020 particulate emission standards using crib wood." Tested & listed to Method 28R, E2780 - 10, E2515 - 11. Model Regency i3000A/i3000R 0.95 g/hr.

"This manual describes the installation and operation of the Regency i3000A/i3000R wood heater. This heater meets the 2020 U.S. Environmental Protection Agency's cord wood emission limits for wood heaters. Under specific test conditions, this heater has been shown to deliver heat at rates ranging from 13,794 Btu/hr to 33,155 Btu/hr." Efficiency is determined using the B415 method, resulting in lower and higher heat values. This heater generates the best efficiency when operated using well-seasoned wood and installed in the main living areas where the majority of the chimney is within the building envelope. "

It is against federal regulation to operate this wood heater in a manner inconsistent with the operating instructions in this manual, or if elements are deactivated or removed."

"This heater is designed to burn natural wood only. Higher efficiencies and lower emissions generally result when burning air-dried, seasoned hardwoods, as compared to softwoods or to green or freshly cut hardwoods."

CAUTION Burn untreated wood only. Other materials such as wood preservatives, metal foils, coal, plastic, garbage, sulphur, or oil may damage the heater.

DO NOT BURN:

- Treated wood
- Coal
- Garbage
- Cardboard
- Solvents
- Colored Paper
- Bio Bricks
- Trash
- Lawn clippings or yard waste
- Materials containing rubber including tires
- Materials containing plastic
- Waste petroleum products , paints or paint thinners or asphalt products
- Materials containing asbestos
- Construction or demolition debris
- Railroad ties
- Manure or animal remains
- Saltwater driftwood or other previously salt water saturated materials
- Unseasoned wood
- Paper products, cardboard, plywood, or particle board. The prohibition against burning these materials does not prohibit the use of fire starters made from paper, cardboard, saw dust, wax and similar substances for the purpose of starting a fire in a wood heater.

Burning these materials may result in release of toxic fumes or render the heater ineffective and cause smoke.

The authority having jurisdiction (such as Municipal Building Department, Fire Department, Fire Prevention Bureau, etc.) should be consulted before installation to determine the need to obtain a permit.

ULC628-2022 - Canada

This fireplace insert must be installed with a continuous chimney liner of 5.5 or 6 inch diameter extending from the fireplace insert to the top of the chimney. The chimney liner must conform to the class 3 requirements of CAN/ULS-S635 Standard for lining systems for existing Masonry or factory built chimneys and vents or to the requirements of CAN/ULC-S640, Standard for lining systems for new masonry chimneys.

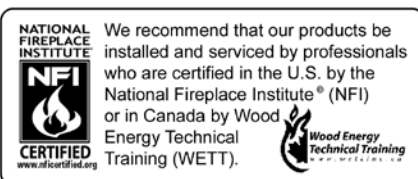
UL1482-2022 - U.S.A

A chimney complying with the requirement for type HT chimneys in the standard for chimneys, factory built residential and building heating appliance UL103 or a code approved masonry chimney liner with a flue liner.

This fireplace insert must be installed with a continuous chimney liner of 5.5 or 6 inch diameter extending from the fireplace insert to the top of the chimney. When this room heater is not properly installed, a house fire may result. To reduce the risk of fire follow the installation instructions. Contact local building or fire official as about restrictions and installation requirements in your area.

i3000A/i3000R is tested and certified to CAN/ULC 628:2022 and UL 1482-2022.

SAVE THESE INSTRUCTIONS



CAUTION To avoid burns or wood splinters, when opening/closing the fuel door or adding wood to the fire, You should always wear appropriate protective gloves to protect your hands from the heat being emitted from this fireplace.

WARNING: Cancer and Reproductive Harm
www.P65Warnings.ca.gov

919-874

Safety Label for i3000A/i3000R 4
 Location of Safety Label..... 4

Dimensions

Contemporary Faceplate Options 5
 Classic & Arched Faceplate Options..... 6
 Faceplate with Traditional Extrusion and Premium Surround Option... 7
 Oversize Faceplate Options 9

Installation

Masonry Fireplace Clearances 10
 How To Determine If Alternate Floor Protection Materials Are
 Acceptable..... 11
 Installation into a Masonry Fireplace..... 11
 Before Installing Your Insert..... 11
 Chimney Specifications 11
 Draft 11
 Refacing of i3000A/i3000R Using Steel Studs and Concrete Board Over
 Masonry Fireplace Front Only 12
 Installing Your Unit..... 13
 Hardwire Kit..... 14
 Catalytic Combustor Digital Display Monitor..... 18
 Contemporary/Classic/Arched/Custom Faceplate Installation..... 19
 Fan Installation 21
 Fan Operation 22
 Leveling Bolt Installation 23
 Andiron Installation 23
 Brick Panel Installation 24
 Seasoned Wood 25

Operation

Operating Instructions 26
 Draft Control 26
 First Fire..... 26
 Ash Disposal 27
 Fan Operation 27
 Creosote..... 27
 Removal for Cleaning..... 27
 Ways to Prevent and Keep Unit Free of Creosote 27
 Wood Storage 27
 Safety Guidelines and Warnings..... 27
 Troubleshooting Guide..... 28
 Catalytic Combustor (Part #166-543)..... 29
 Combustor Assembly Removal / Replacement..... 30
 Bypass Door Gasket Replacement..... 31
 Glass Cleaning 32
 Glass Replacement 32

Maintenance

Door Removal 32
 Glass Removal..... 33
 Maintenance 33
 Annual Maintenance 34
 Secondary Air Tube Removal / Installation..... 35
 Cast Bypass Top Plate Removal / Installation..... 36
 Fan Operation Into Auto Mode 36
 Sweeping the Flue From the Top Down 37
 Door Gasket..... 38
 Glass Cleaning 38
 Handle Replacement..... 38
 Door Latch Maintenance 38
 Glass Removal..... 39
 Door Adjustment..... 40
 Door Adjustment - Angle 40

Parts

Main Assembly & Options - i3000A/i3000R 41
 Brick Panels (Part #166-960) 43
 Faceplates and Surrounds 44

Warranty46

Recycling50

ALL PICTURES / DIAGRAMS SHOWN THROUGHOUT THIS MANUAL ARE FOR ILLUSTRATION PURPOSES ONLY. ACTUAL PRODUCT MAY VARY DUE TO PRODUCT ENHANCEMENTS.

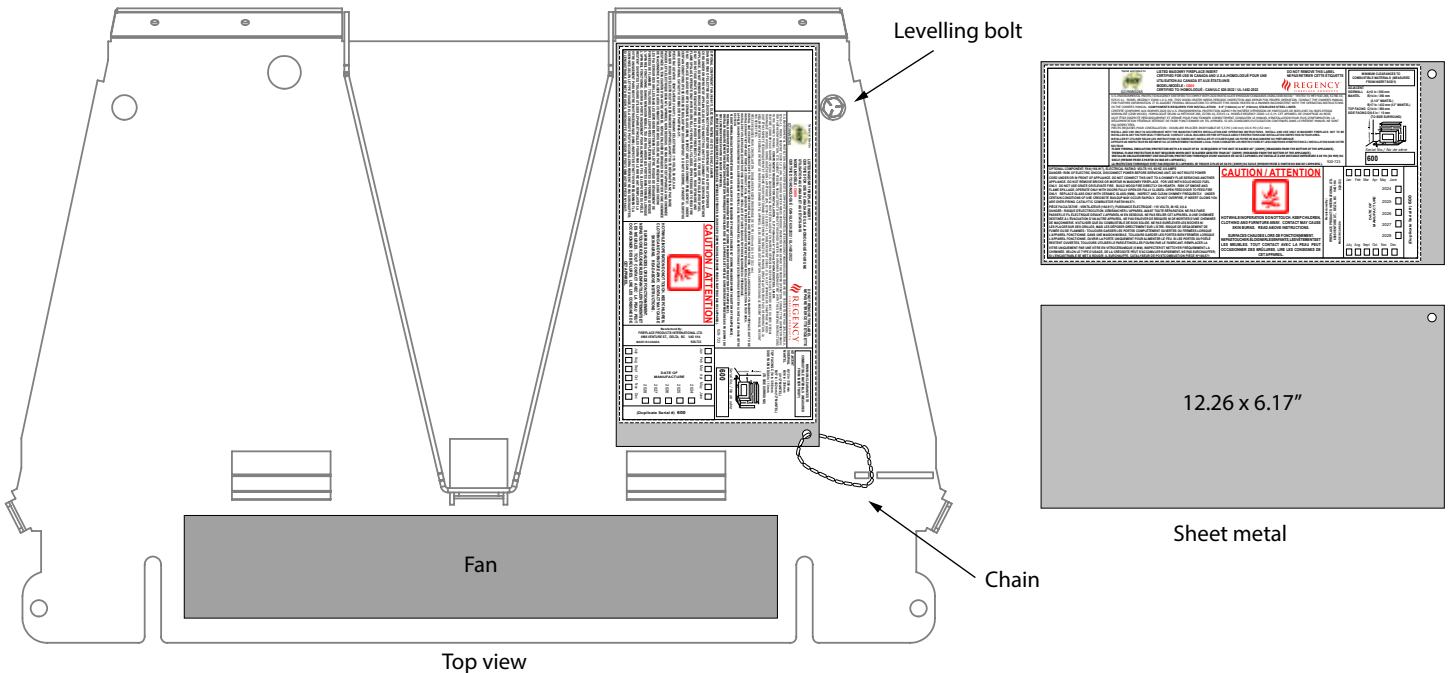
Safety Label for i3000A/i3000R

This is a copy of the label that accompanies your **Regency Insert**. We have printed a copy of the contents here for your review.

NOTE Regency units are constantly improved. Check the label on the unit and if there is a difference, the label on the unit is the correct one.

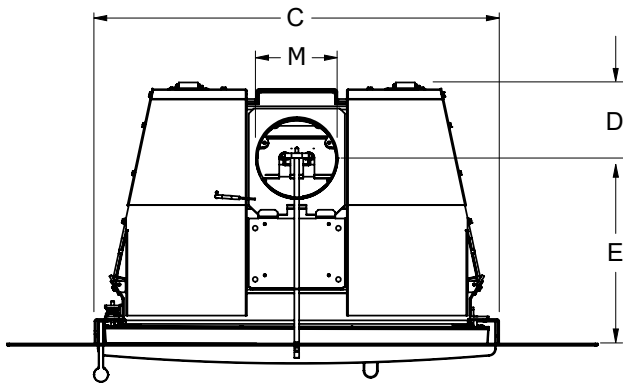
<p>Tested and listed to:</p> <p>0219WN0325</p>	<p>LISTED MASONRY FIREPLACE INSERT CERTIFIED FOR USE IN CANADA AND U.S.A./HOMOLOGUÉ POUR UNE UTILISATION AU CANADA ET AUX ÉTATS-UNIS MODEL/MODÈLE : I3000A/I3000R CERTIFIED TO/HOMOLOGUÉ : CAN/ULC 628:2022 / UL-1482-2022 PFS PROJECT #23-229</p> <p>DO NOT REMOVE THIS LABEL NE PAS RETIRER CETTE ÉTIQUETTE</p>	<p>MINIMUM CLEARANCES TO COMBUSTIBLE MATERIALS (MEASURED FROM INSERT DOOR)</p> <p>ADJACENT SIDEWALL A)15-1/2 in / 394 mm MANTEL B)15 in / 381 mm (3"76 mm MANTEL) B)20-1/2 in / 521 mm (12 in/305 mm MANTEL) TOP FACING C)13-3/4 in / 349 mm SIDE FACING D)11-3/4 in / 298 mm</p> <p>Serial No. / No de série 600</p>																																																																				
<p>U.S. ENVIRONMENTAL PROTECTION AGENCY CERTIFIED TO COMPLY WITH 2020 PARTICULATE EMISSION STANDARDS USING CRIB WOOD.* TESTED TO METHOD 28R, E2780-10, E2515-11. MODEL REGENCY I3000 0.95 G /HR. THIS WOOD HEATER NEEDS PERIODIC INSPECTION AND REPAIR FOR PROPER OPERATION. CONSULT THE OWNER'S MANUAL FOR FURTHER INFORMATION. IT IS AGAINST FEDERAL REGULATIONS TO OPERATE THIS WOOD HEATER IN A MANNER INCONSISTENT WITH THE OPERATING INSTRUCTIONS IN THE OWNER'S MANUAL. COMPONENTS REQUIRED FOR INSTALLATION: 5.5" (140mm) or 6" (152mm) STAINLESS STEEL LINER. CERTIFIÉ CONFORME AUX NORMES 2020 DU U.S. ENVIRONMENTAL PROTECTION AGENCY EN MATIÈRE D'ÉMISSION DE PARTICULES DE BOIS AVEC DU BOIS D'ESSAI NORMALISÉ (CRIB WOOD). HOMOLOGUÉ SELON LA MÉTHODE 28R, E2780-10, E2515-11. MODÈLE REGENCY I3000 0.95 G /H. CET APPAREIL DE CHAUFFAGE AU BOIS DOIT ÊTRE INSPECTÉ PÉRIODIQUEMENT ET RÉPARÉ POUR FONCTIONNER CORRECTEMENT. CONSULTER LE MANUEL D'INSTALLATION POUR PLUS D'INFORMATION. LA RÉGLEMENTATION FÉDÉRALE INTERDIT DE FAIRE FONCTIONNER UN TEL APPAREIL SI LES CONSIGNES D'UTILISATION CONTENUES DANS LE PRÉSENT MANUEL NE SONT PAS RESPECTÉES.</p> <p>PIÈCES REQUISES POUR L'INSTALLATION : DOUBLURE EN ACIER INOXYDABLE DE 5,5 PO (140 mm) OU 6 PO (152 mm).</p> <p>INSTALL AND USE ONLY IN ACCORDANCE WITH THE MANUFACTURER'S INSTALLATION AND OPERATING INSTRUCTIONS. INSTALL AND USE ONLY IN MASONRY FIREPLACE. NOT TO BE INSTALLED IN ANY FACTORY-BUILT FIREPLACE. CONTACT LOCAL BUILDING OR FIRE OFFICIALS ABOUT RESTRICTIONS AND INSTALLATION INSPECTION IN YOUR AREA.</p> <p>INSTALLER ET UTILISER SELON LES INSTRUCTIONS DU FABRICANT. INSTALLER ET UTILISER DANS UN FOYER DE MAÇONNERIE SEULEMENT. NE PAS INSTALLER DANS UNE CHEMINÉE PRÉFABRIQUÉE. APPELER UN INSPECTEUR EN BÂTIMENT OU LE DÉPARTEMENT INCENDIE LOCAL POUR CONNAÎTRE LES RESTRICTIONS ET LES CONDITIONS D'INSPECTION À L'INSTALLATION DANS VOTRE SECTEUR.</p> <p>FLOOR THERMAL INSULATION/PROTECTION WITH A R VALUE OF 2.8 IS REQUIRED IF THE UNIT IS RAISED TO 6" (152 MM) (MEASURED FROM THE BOTTOM OF THE APPLIANCE). THERMAL FLOOR PROTECTION IS NOT REQUIRED WHEN UNIT IS RAISED GREATER THAN 6" (152 MM) (MEASURED FROM THE BOTTOM OF THE APPLIANCE). INSTALLER OBLIGATOIREMENT UNE ISOLATION/PROTECTION THERMIQUE D'UNE VALEUR R DE 2,8 SI L'APPAREIL EST INSTALLÉ À UNE DISTANCE INFÉRIEURE À 6 PO (152 MM) DU SOCLE (MESURE PRISE À PARTIR DU BAS DE L'APPAREIL). LA PROTECTION THERMIQUE N'EST PAS REQUISE SI L'APPAREIL SE TROUVE À PLUS DE 6 PO (152 MM) DU SOCLE (MESURE PRISE À PARTIR DU BAS DE L'APPAREIL).</p> <p>920-723</p>																																																																						
<p>OPTIONAL COMPONENT: FAN (I66-917). ELECTRICAL RATING: VOLTS 115, 60 HZ, 0.6 AMPS DANGER: RISK OF ELECTRIC SHOCK. DISCONNECT POWER BEFORE SERVICING UNIT. DO NOT ROUTE POWER CORD UNDER OR IN FRONT OF APPLIANCE. DO NOT CONNECT THIS UNIT TO A CHIMNEY FLUE SERVICING ANOTHER APPLIANCE. DO NOT REMOVE BRICKS OR MORTAR IN MASONRY FIREPLACE. FOR USE WITH SOLID WOOD FUEL ONLY. DO NOT USE GRATE OR ELEVATE FIRE. BUILD WOOD FIRE DIRECTLY ON HEARTH. RISK OF SMOKE AND FLAME SPILLAGE. OPERATE ONLY WITH DOORS FULLY OPEN OR FULLY CLOSED. OPEN FEED DOOR TO FEED FIRE ONLY. REPLACE GLASS ONLY WITH CERAMIC GLASS (5MM). INSPECT AND CLEAN CHIMNEY FREQUENTLY. UNDER CERTAIN CONDITIONS OF USE CREOSOTE BUILDUP MAY OCCUR RAPIDLY. DO NOT OVERFIRE, IF INSERT GLOWS YOU ARE OVER-FIRING. CATALYTIC COMBUSTOR PART#I66-543.</p> <p>PIÈCE FACULTATIVE : VENTILATEUR (I66-917); PUISSANCE ÉLECTRIQUE : 115 VOLTS, 60 HZ, 0.6 A DANGER : RISQUE D'ÉLECTROCUTION. DÉBRANCHER L'APPAREIL AVANT TOUTE RÉPARATION. NE PAS FAIRE PASSER LE FIL ÉLECTRIQUE DEVANT L'APPAREIL NI EN DESSOUS. NE PAS RELIER CET APPAREIL À UNE CHEMINÉE DESTINÉE À L'ÉVACUATION D'UN AUTRE APPAREIL. NE PAS ENLEVER DE BRIQUES NI DE MORTIER D'UNE CHEMINÉE DE MAÇONNERIE. N'UTILISER QUE DU COMBUSTIBLE DE BOIS SOLIDE. NE PAS SURÉLÉVER LES BÛCHES NI LES PLACER SUR DES GRILLES, MAIS LES DÉPOSER DIRECTEMENT SUR L'ÂTRE. RISQUE DE DÉGAGEMENT DE FUMÉE OU DE FLAMMES : TOUJOURS GARDER LES PORTES COMPLÈTEMENT OUVERTES OU FERMÉES LORSQUE L'APPAREIL FONCTIONNE. OUVRIR LA PORTE UNIQUEMENT POUR ALIMENTER LE FEU. SI LES PORTES DU POÊLE RESTENT OUVERTES, TOUJOURS UTILISER LE PARE-ÉTINCELLES FOURNI PAR LE FABRICANT. REMPLACER LA VITRE UNIQUEMENT PAR UNE VITRE EN VITROCÉRAMIQUE (5 MM). INSPECTER ET NETTOYER FRÉQUEMMENT LA CHEMINÉE. SELON LE TYPE D'USAGE, DE LA CRÉOSOTE PEUT S'ACCUMULER RAPIDEMENT. NE PAS SURCHAUFFER; SI L'ENCASTRABLE SE MET À ROUGIR, IL SURCHAUFFE. CATALYSEUR DE POSTCOMBUSTION PIÈCE N°I66-543</p>																																																																						
<p>CAUTION / ATTENTION</p> <p>HOT WHILE IN OPERATION DO NOT TOUCH. KEEP CHILDREN, CLOTHING AND FURNITURE AWAY. CONTACT MAY CAUSE SKIN BURNS. READ ABOVE INSTRUCTIONS.</p> <p>SURFACES CHAUDES LORS DE FONCTIONNEMENT. NE PAS TOUCHER ÉLOIGNER LES ENFANTS, LES VÊTEMENTS ET LES MEUBLES. TOUT CONTACT AVEC LA PEAU PEUT OCCASIONNER DES BRÛLURES. LIRE LES CONSIGNES DE CET APPAREIL.</p>																																																																						
<p>Manufactured By: FIREPLACE PRODUCTS INTERNATIONAL LTD. 6888 VENTURE ST., DELTA, BC V4G 1H4 MADE IN CANADA 920-723</p>																																																																						
<table style="width:100%; border-collapse: collapse;"> <tr> <td style="width:10%;"></td> <td style="width:10%; text-align: center;"> <input type="checkbox"/> Jan </td> <td style="width:10%; text-align: center;"> <input type="checkbox"/> Feb </td> <td style="width:10%; text-align: center;"> <input type="checkbox"/> Mar </td> <td style="width:10%; text-align: center;"> <input type="checkbox"/> Apr </td> <td style="width:10%; text-align: center;"> <input type="checkbox"/> May </td> <td style="width:10%; text-align: center;"> <input type="checkbox"/> June </td> <td style="width:10%;"></td> </tr> <tr> <td></td> <td colspan="5" style="text-align: center;">DATE OF MANUFACTURE</td> <td style="text-align: center;">2024</td> <td style="text-align: center;"><input type="checkbox"/></td> <td rowspan="4" style="text-align: center; vertical-align: middle;">(Duplicate Serial #) 600</td> </tr> <tr> <td></td> <td colspan="5"></td> <td style="text-align: center;">2025</td> <td style="text-align: center;"><input type="checkbox"/></td> </tr> <tr> <td></td> <td colspan="5"></td> <td style="text-align: center;">2026</td> <td style="text-align: center;"><input type="checkbox"/></td> </tr> <tr> <td></td> <td colspan="5"></td> <td style="text-align: center;">2027</td> <td style="text-align: center;"><input type="checkbox"/></td> </tr> <tr> <td></td> <td colspan="5"></td> <td style="text-align: center;">2028</td> <td style="text-align: center;"><input type="checkbox"/></td> <td></td> </tr> <tr> <td></td> <td style="text-align: center;">July</td> <td style="text-align: center;">Aug</td> <td style="text-align: center;">Sept</td> <td style="text-align: center;">Oct</td> <td style="text-align: center;">Nov</td> <td style="text-align: center;">Dec</td> <td></td> <td></td> </tr> <tr> <td></td> <td style="text-align: center;"><input type="checkbox"/></td> <td style="text-align: center;"><input type="checkbox"/></td> <td style="text-align: center;"><input type="checkbox"/></td> <td style="text-align: center;"><input type="checkbox"/></td> <td style="text-align: center;"><input type="checkbox"/></td> <td style="text-align: center;"><input type="checkbox"/></td> <td></td> <td></td> </tr> </table>				<input type="checkbox"/> Jan	<input type="checkbox"/> Feb	<input type="checkbox"/> Mar	<input type="checkbox"/> Apr	<input type="checkbox"/> May	<input type="checkbox"/> June			DATE OF MANUFACTURE					2024	<input type="checkbox"/>	(Duplicate Serial #) 600							2025	<input type="checkbox"/>							2026	<input type="checkbox"/>							2027	<input type="checkbox"/>							2028	<input type="checkbox"/>			July	Aug	Sept	Oct	Nov	Dec				<input type="checkbox"/>	<input type="checkbox"/>	<input type="checkbox"/>	<input type="checkbox"/>	<input type="checkbox"/>	<input type="checkbox"/>		
	<input type="checkbox"/> Jan	<input type="checkbox"/> Feb	<input type="checkbox"/> Mar	<input type="checkbox"/> Apr	<input type="checkbox"/> May	<input type="checkbox"/> June																																																																
	DATE OF MANUFACTURE					2024	<input type="checkbox"/>	(Duplicate Serial #) 600																																																														
						2025	<input type="checkbox"/>																																																															
						2026	<input type="checkbox"/>																																																															
						2027	<input type="checkbox"/>																																																															
						2028	<input type="checkbox"/>																																																															
	July	Aug	Sept	Oct	Nov	Dec																																																																
	<input type="checkbox"/>	<input type="checkbox"/>	<input type="checkbox"/>	<input type="checkbox"/>	<input type="checkbox"/>	<input type="checkbox"/>																																																																

Location of Safety Label

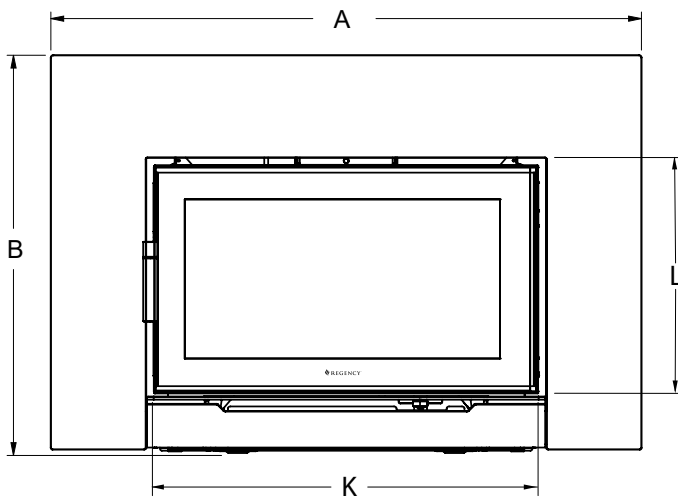


Contemporary Faceplate Option

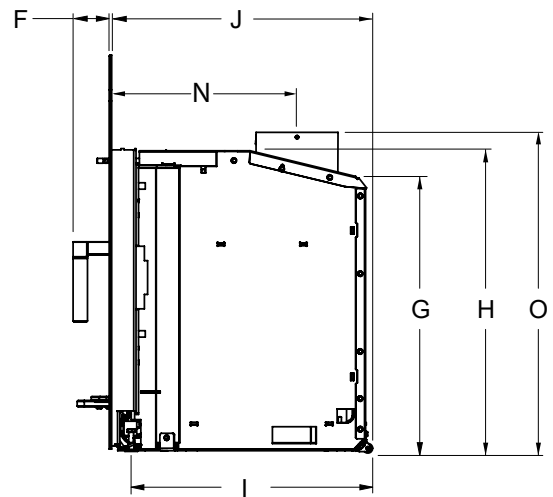
Top View



Front View



Side View

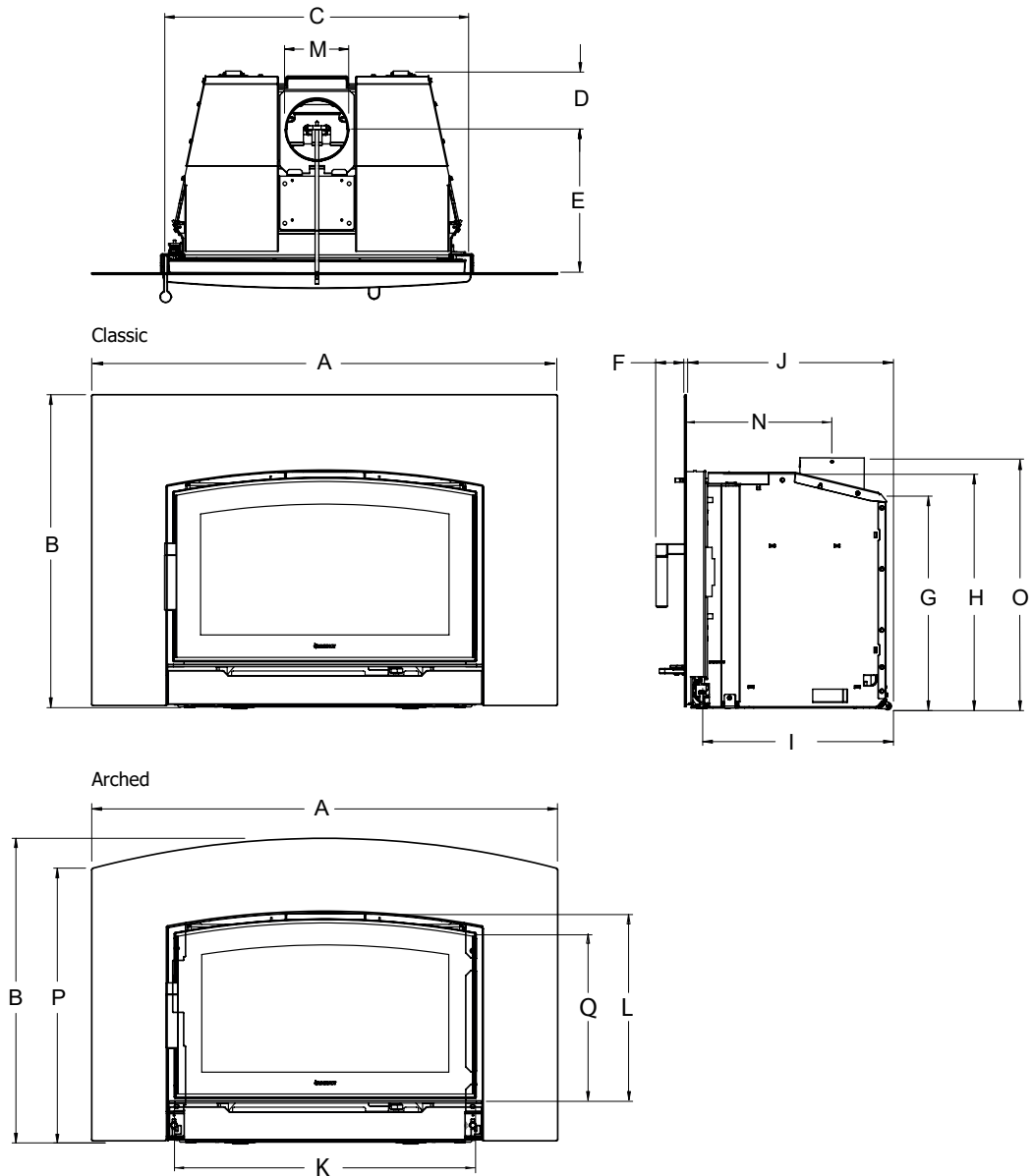


A	45-3/4" (1162 mm)
B	31" (787 mm)
C	31-5/8" (803 mm)
D	5-13/16" (147 mm)
E	14-9/16" (370 mm)
F	2-5/16" (59 mm)
G	21-5/8" (549 mm)
H	23-13/16" (605 mm)

I	18-7/8" (479 mm)
J	20-3/8" (517 mm)
K	30" (762 mm)
L	17-13/16" (452 mm)
M	6" (152 mm)
N	14-9/16" (370 mm)
O	25" (635 mm)

6 | dimensions

Classic & Arched Faceplate Options



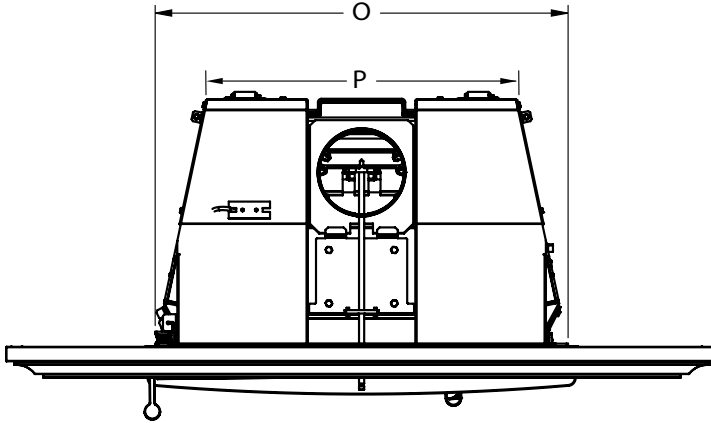
A	46-1/8" (1172 mm)
B	31" (787 mm)
C	31-5/8" (803 mm)
D	5-13/16" (147 mm)
E	14-9/16" (370 mm)
F	2-15/16" (74 mm)
G	21-5/8" (549 mm)
H	23-13/16" (604 mm)
I	18-7/8" (479 mm)

J	20-3/8" (518 mm)
K	30" (762 mm)
L	18-7/16" (468 mm)
M	6" (152 mm)
N	14-9/16" (370 mm)
O	25" (635 mm)
P	28" (711 mm)
Q	17" (432 mm)

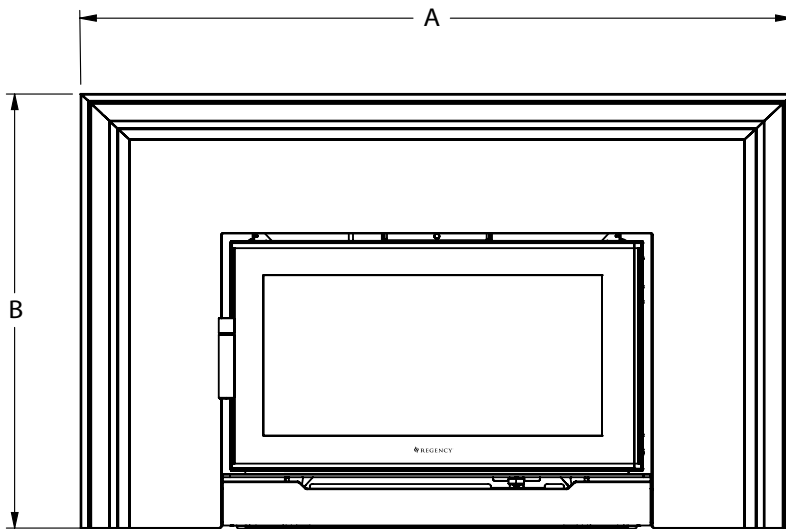
Faceplate with Traditional Extrusion

Faceplate with Traditional Extrusion Option

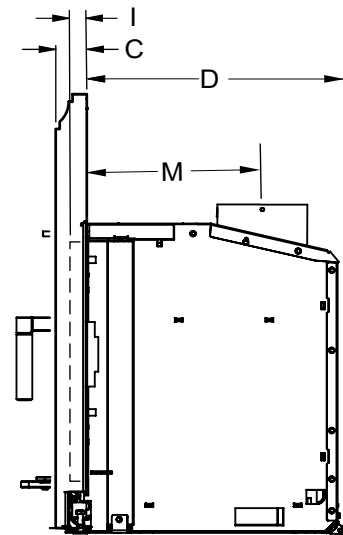
Top View



Front View



Side View



*Allows unit to fit into a 30 1/2" wide and 19" deep opening.

A	51-3/4" (1314 mm)
B	33-7/8" (860 mm)
C	2-1/4" (57 mm)
D	18-1/2" (470 mm)

E	46-3/4" (1187 mm)
F	31-1/8" (790 mm)
G	1-3/4" (45 mm)
H	19" (483 mm)

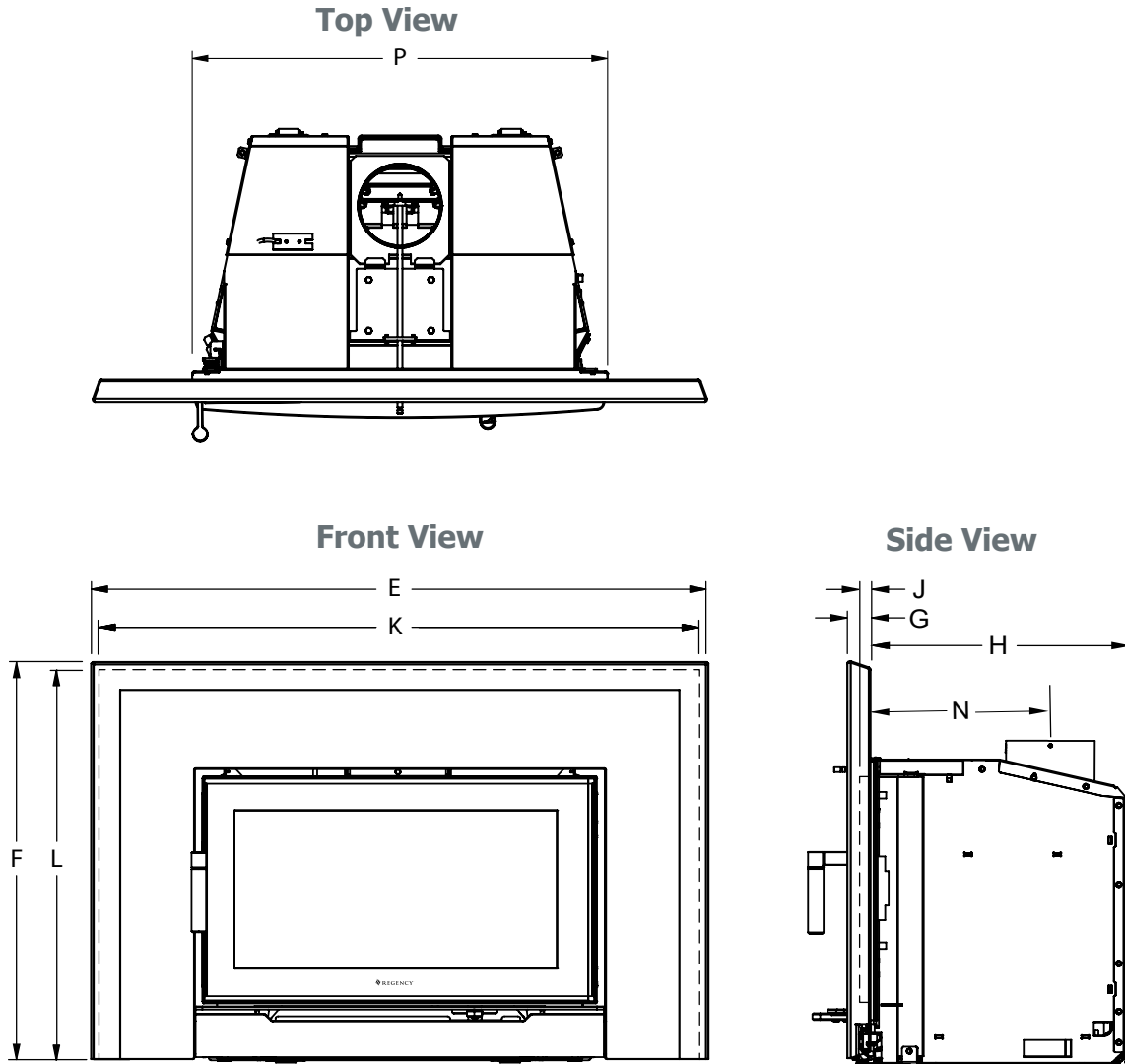
I**	2" (51 mm)
J**	1-1/2" (38 mm)
K	44-3/4" (1136 mm)
L	30-1/4" (768 mm)
M	13-3/16" (335 mm)
N	12-11/16" (322 mm)
O	30" (762 mm)
P	22-5/8" (575 mm)

NOTE: These can only be installed on Contemporary or Classic Faceplates

**The dotted lines refer to fuel door opening from back of traditional extrusion

Faceplate with Premium Surround Option

Faceplate with Premium Surround Option



*Allows unit to fit into a 32" wide and 19" deep opening.

A	51-3/4" (1314 mm)
B	33-7/8" (860 mm)
C	2-1/4" (57 mm)
D	18-1/2" (470 mm)

E	46-3/4" (1187 mm)
F	31-1/8" (790 mm)
G	1-3/4" (45 mm)
H	19" (483 mm)

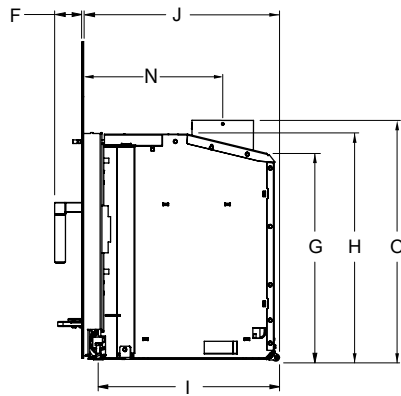
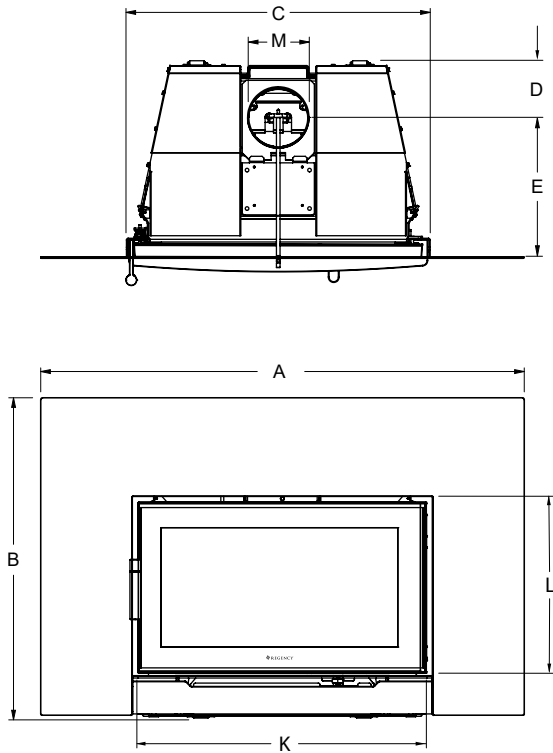
I**	2.0" (51 mm)
J**	1-1/2" (38 mm)
K	44-3/4" (1136 mm)
L	30-1/4" (768 mm)
M	13-3/16" (335 mm)
N	12-11/16" (322 mm)
P	31-5/8" (803mm)

NOTE: These can only be installed on Contemporary or Classic Faceplates

**The dotted lines refer to fuel door opening from back of the premium surround.

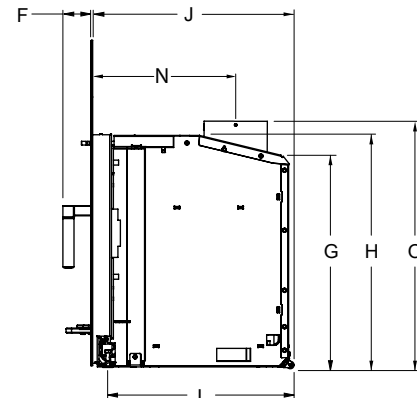
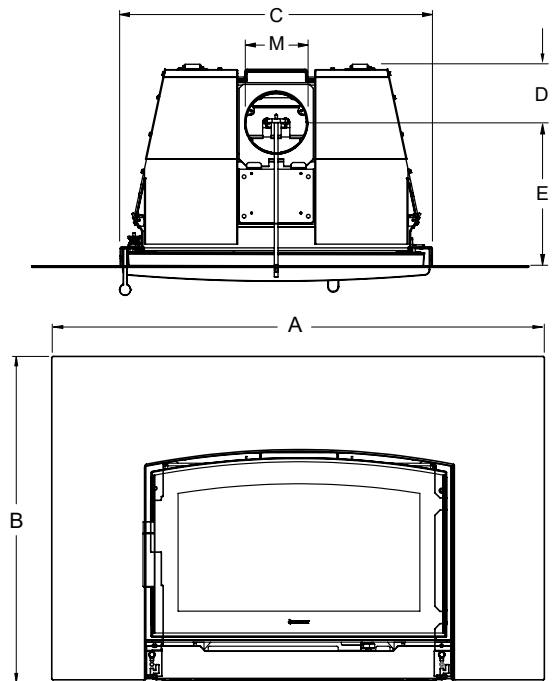
OverSize Faceplate Options

Contemporary



A	50-1/4" (1276 mm)
B	33-1/4" (845 mm)
C	31-5/8" (803 mm)
D	5-13/16" (147 mm)
E	14-9/16" (370 mm)
F	2-5/16" (59 mm)
G	21-5/8" (549 mm)
H	23-13/16" (605 mm)
I	18-7/8" (479 mm)
J	20-3/8" (517 mm)
K	30" (762 mm)
L	17-13/16" (452 mm)
M	6" (152 mm)
N	14-9/16" (370 mm)
O	25" (635 mm)

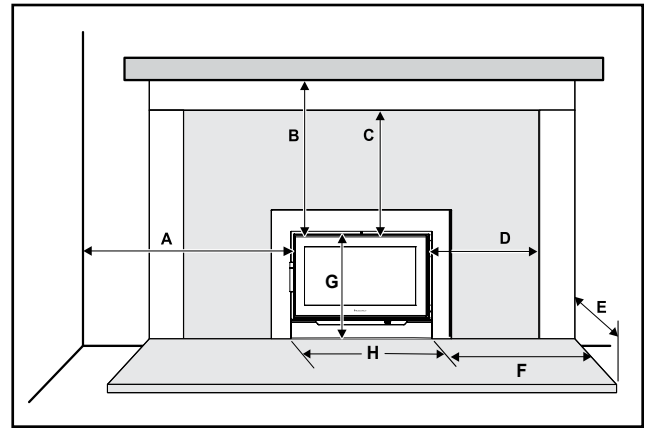
Classic



Masonry Fireplace Clearances

The minimum required clearances to combustible materials when installed into a masonry fireplace are listed below.

ITEM	MEASUREMENT	DESCRIPTION
A	15-1/2" (394 mm)	Adjacent side wall to side of door
B	15" (381 mm) for 3" (78 mm) mantel 20-1/2" (521 mm) for 12" (305 mm) mantel	Mantel** to top of Door
C	13-3/4" (349 mm)	Top facing to top of Door*
D	11-3/4" (298 mm)	Side facing to side of Door*
E	16" (406 mm) USA 18" (457 mm) Canada	Minimum hearth extension***
F	8" (203 mm)	Minimum hearth side extension***
G	23-1/2" (597 mm)	To top of Door (Reference Dimension Only)
H	30" (762 mm)	From Side of Door (Reference Dimension Only)



Clearance diagram for installations

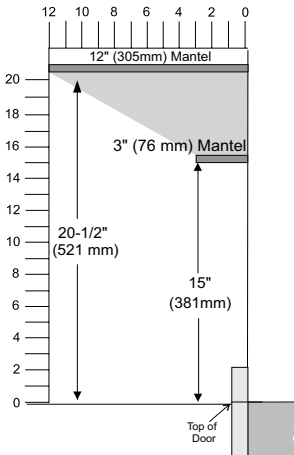
Note: Shown with rectangular door. Arch door clearances are exactly the same.

*****Both Canada/USA:**

Minimum Hearth Extension for the front (E) is measured from the fuel door opening.

(F) measurement (minimum hearth side extension) is taken from the side of the door.

**The mantel can be installed anywhere in the shaded area or higher, using the above scale.



- NOTES**
- *If there is only a top facing (C) and no side facing (D), refer to (B) mantel (to top of unit) clearance requirements. Side facing (D) and top facing (C) is 1-1/2" (38 mm) thick, maximum.
 - Ensure the paint that is used on the mantel and the facing is heat resistant, or the paint may discolour.

Floor Protection

Floor thermal insulation/protection with an R value of 2.8 is required if the unit is raised 0 to 6" (152 mm) measured from the bottom of the appliance.

Thermal floor protection is not required when unit is raised greater than 6" (152 mm) measured from the bottom of the appliance.

However ember protection is still required. Non-combustible material such as brick, tile, concrete board, etc. or certified to UL-1618 Type 1 or as defined by local codes. Type 1 Hearth pad extensions typically provide protection from embers only, but won't provide thermal protection from the heat of the appliance.

Please check to ensure that your floor protection and hearth will meet the standards for clearance to combustibles. Your hearth extension must be made from a non-combustible material extending 16" (406 mm) for US and 18" (457 mm) for Canada—measured from the fuel loading door.

Wood Insert Specifications

Your fireplace opening requires the following minimum sizes:

Dimensions	Contemporary/Classic/Arched Faceplates	Classic/Contemporary Faceplate with Traditional Extrusion	Classic/Contemporary Faceplate with Premium Surround
Height	24" (610 mm)	24" (610 mm)	24" (610 mm)
Width	32" (813 mm)	30-1/2" (775 mm)	32" (813 mm)
Depth	21" (533 mm)	19" (483 mm)	19-1/2" (496 mm)

Model # Reference

i3000A = Wood Fireplace Insert with Arched Door

i3000R = Wood Fireplace Insert with Rectangular Door

How To Determine If Alternate Floor Protection Materials Are Acceptable

The specified floor protector should be 3/8" (18mm) thick material with a K - factor of 0.84.

The proposed alternative is 4" (100mm) brick with a C-factor of 1.25 over 1/8" (3mm) mineral board with a K-factor of 0.29.

Step (a):

Use formula above to convert specification to R-value.

$$R = 1/k \times T = 1/0.84 \times .75 = 0.893.$$

Step (b):

Calculate R of proposed system.

4" brick of C = 1.25, therefore

$$R_{brick} = 1/C = 1/1.25 = 0.80$$

1/8" mineral board of k = 0.29, therefore

$$R_{min.bd.} = 1/0.29 \times 0.125 = 0.431$$

$$\text{Total } R = R_{brick} + R_{mineral\ board} =$$

$$0.8 + 0.431 = 1.231.$$

Step (c):

Compare proposed system R of 1.231 to specified R of 0.893. Since proposed system R is greater than required, the system is acceptable.

DEFINITIONS

Thermal Conductance:

$$C = \frac{\text{Btu}}{(\text{hr})(\text{ft}^2)(\text{°F})} = \frac{W}{(\text{m}^2)(\text{K})}$$

Thermal Conductivity:

$$k = \frac{\text{Btu}(\text{inch})}{(\text{hr})(\text{ft}^2)(\text{°F})} = \frac{W}{(\text{m})(\text{K})} = \frac{\text{Btu}}{(\text{hr})(\text{ft})(\text{°F})}$$

Thermal Resistance:

$$R = \frac{(\text{ft}^2)(\text{hr})(\text{°F})}{\text{Btu}} = \frac{(\text{m}^2)(\text{K})}{W}$$

Installation into a Masonry Fireplace

Regency Inserts are constructed with the highest quality materials and assembled under strict quality control procedures that ensure years of trouble-free, reliable performance. It is important that you read this manual thoroughly and fully understand safe installation and operating procedures. The more you understand the way your Regency Insert operates, the more enjoyment you will experience from knowing that your unit is operating at peak performance.

WARNING: The room heater shall not be installed in a factory-built fireplace.

Before Installing Your Insert

1. Please read this entire manual before you install and use your new wood insert. Failure to follow instructions may result in property damage, bodily injury, or even death. Install and use only in accordance with manufacturer's installation and operating instructions.

2. Check your local building codes - Building Inspection Department. You may need a permit before installing your insert. Be aware that local codes and regulations may override some items in the manual.
3. Notify your home insurance company that you plan to install a fireplace insert or hearth heater.
4. Your fireplace insert is heavy and requires two or more people to move it safely. The insert can be badly damaged by mishandling.

WARNING Careless installation is the major cause of safety hazard. Check all local building and safety codes before installation of unit.

5. If your existing fireplace damper control is inaccessible with your Regency Insert installed, you should either remove or secure it in the open position.
6. Inspect your fireplace and chimney prior to installing your insert to ensure it is free from cracks, loose mortar, or other signs of damage. If repairs are required, they should be completed before installing your insert. Do not remove bricks or mortar from your masonry fireplace.
7. Do not connect the insert to a chimney system servicing another appliance or an air distribution duct.

When referencing installation or connection to masonry fireplaces or chimneys, the masonry construction must be code compliant.

Chimney Specifications

Before installing, check and clean your chimney system thoroughly. If in doubt about its condition, seek professional advice. Your Regency Insert is designed for installation into a masonry fireplace that is constructed in accordance with the requirements of "The Standard for Chimneys, Fireplaces, Vents, and Solid Fuel Burning Appliance", N.F.P.A. 211, the National Building Code of Canada, or the applicable local code requirements.

The appliance, when installed, must be electrically grounded in accordance with local codes or, in the absence of local codes, with the National Electrical Code, ANSI/NFPA 70, or the Canadian Electrical code, CSA C22.1. Regency Inserts are designed to use either a 5-1/2" (140 mm) or 6" (152 mm) flue. This insert must be connected to a code-approved masonry chimney or listed factory-built fireplace chimney with a direct flue connector into the first chimney liner section. The chimney size should not be larger or smaller than three times greater than the cross-sectional area of the flue collar.

ULC628-2022 - Canada

This fireplace insert must be installed with a continuous chimney liner liner of 5.5 or 6 inch diameter extending from the fireplace insert to the top of the chimney. The chimney liner must conform to the class 3 requirements of CAN/ULS-S635 Standard for lining systems for existing Masonry or factory built chimneys and vents or to the requirements of CAN/ULC-S640, Standard for lining systems for new masonry chimneys.

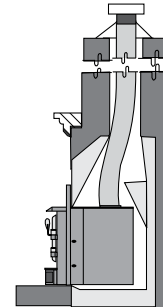
UL1482-2022 - U.S.A

A chimney complying with the requirement for type HT chimneys in the standard for chimneys, factory built residential and building heating appliance UL103 or a code approved masonry chimney liner with a flue liner.

This fireplace insert must be installed with a continuous chimney liner liner of 5.5 or 6 inch diameter extending from the fireplace insert to the top of the chimney. When this room heater is not properly installed, a house fire may result. To reduce the risk of fire follow the installation instructions. Contact local building or fire official as about restrictions and installation requirements in your area.

Draft

Draft is the force which moves air from the appliance up through the chimney. The amount of draft in your chimney depends on the length of the chimney, local geography, nearby obstructions and other factors. Too much draft may cause excessive temperatures in the appliance, resulting in damage. An uncontrollable burn or excessive temperature indicates excessive draft. Inadequate draft may cause back puffing into the room and plugging of the chimney. Inadequate draft will cause the appliance to leak smoke into the room through appliance and chimney connector joints. Ensure the heater is installed in areas that are not too close to neighbors, or in valleys that would cause unhealthy air quality or nuisance conditions.



Recommended chimney height from top of flue collar:
Minimum 15 feet (4.6 meters)

Note: If the fireplace has been modified to accommodate a fireplace liner, the installer is to attach the metal tag to the fireplace using screws or nails, in a location readily visible should the fireplace insert be removed. A metal tag is supplied with this wood insert.

IMPORTANT:

Smoke and CO Detectors:

Make sure your home has a working smoke and CO detector, especially near any bedrooms. We recommend having a smoke and CO detector in the same room as the wood appliance for additional safety. Location of both detectors should be chosen wisely to avoid false alarms when reloading the appliance.

Fire Extinguisher:

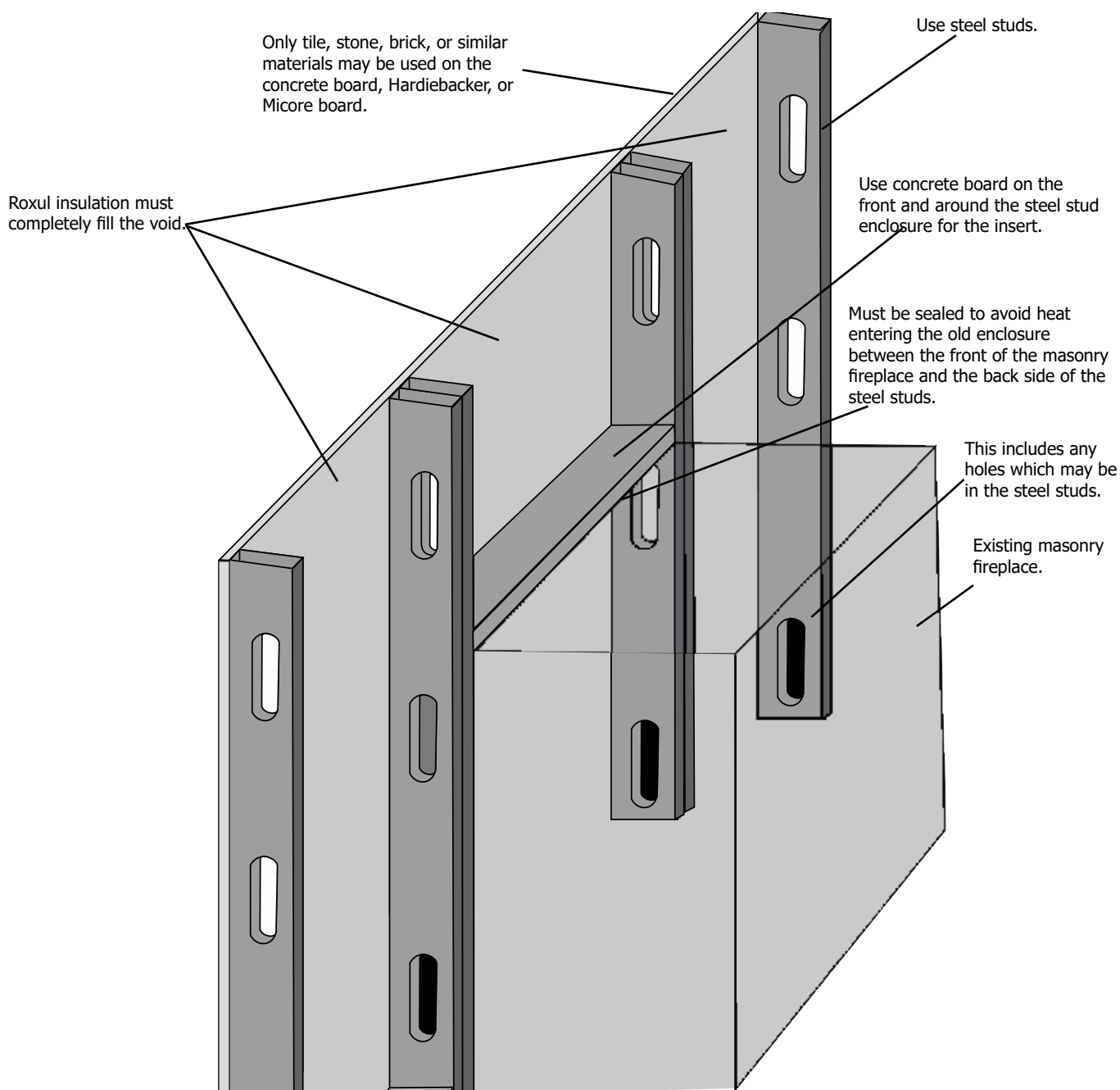
A fire extinguisher should be installed in the home. The location of the fire extinguisher should be known by all family members.

Refacing of i3000A/i3000R Using Steel Studs and Concrete Board Over Masonry Fireplace Front Only

The front brick facing may be removed and replaced with non-combustible materials such as steel studs and concrete board/durarock/micor board, or other similar non combustible materials. The opening between the firebox and non-combustible materials must be sealed to ensure that heat from the wood insert cannot exit between the insert's face and the re-facing materials. Roxul insulation must be used to fill the void between the steel stud work, concrete board, durarock/micor board, or similar materials and brick face. Use finishing materials such as tile, stone, brick, or similar non combustible materials only. Use only non combustible materials that are uniform so that when the unit is positioned, there are no visible gaps on the sides and or top of the surround.

Non combustible material must run the full width and height of the masonry chimney. No portion of this addition may be constructed with combustible material. Steel studs must be anchored either to the masonry chimney structure and secured above at ceiling level and below on the hearth, or a finished floor depending on the hearth (flush or raised up).

NOTE Be aware that local codes and regulations may override some items in the manual.



Installing Your Unit

Important: The catalytic monitor probe which is supplied with this appliance must be installed prior to sliding the unit into final position in the masonry fireplace. See next page.

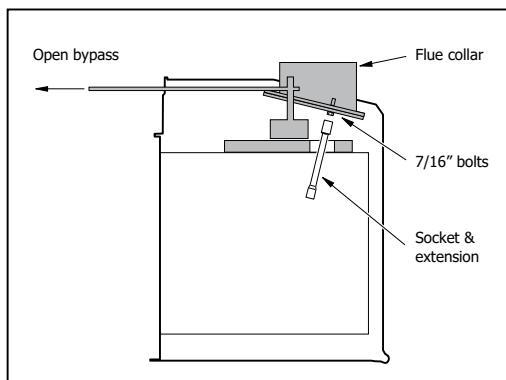
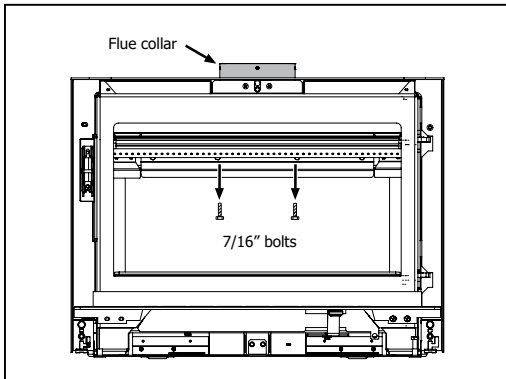
Your insert is very heavy and will require two or three people to move it into position. The insert can be made lighter by opening the cast iron door and lifting it off its hinges. Be sure to protect your hearth extension with a heavy blanket or carpet scrap during the installation.

Evaluate the minimum cavity opening. If the cavity is high enough to install the insert without removing the flue collar, slide the unit into place, position the liner within the flue collar, and secure.

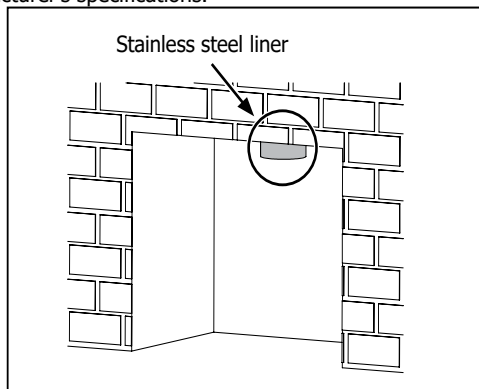
If the cavity is too small and the flue collar needs to be removed, please follow the steps below.

1. Remove the door, manual package, bricks, and C-Cast baffle packages from inside the unit.
2. From inside the firebox, remove the two 7/16" bolts holding the flue collar; using a socket with an extension is ideal. Slide the collar off the unit. See following 2 diagrams.

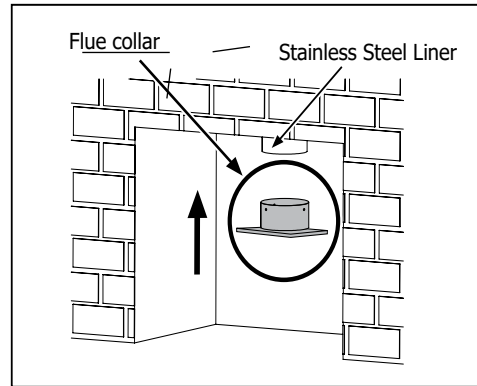
NOTE: Bypass door must be fully open to gain access to the 2 bolts.



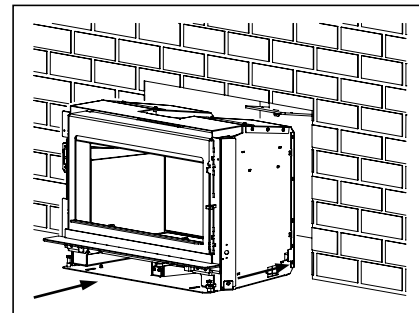
3. Install the stainless steel flex liner into the existing chimney per manufacturer's specifications.



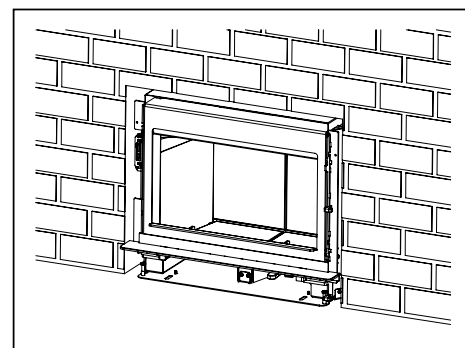
4. Install the flue collar removed in Step 2 onto the end of the flex liner. Secure the collar using 3 screws - 1 on the front, and 1 on the left and right sides.



5. Start by setting the rear of the unit into the fireplace. Ensure that the unit is centered in the existing fireplace and lined up with the flue collar. Gently slide unit inward into final position being careful not to damage the hearth. If correctly installed, the flue collar will be in same position when removed in step 2. Check for alignment as the bolts holes must line up.



6. Once the unit is in its final position, secure the flue collar by attaching the two 7/16" bolts that were removed in step 2.



Hardwire Kit Installation

IMPORTANT

- Electrical power must be brought to the appliance by a licensed electrician.
- This kit must be installed in accordance with local electrical codes. Consult your local building official for any requirements that must be met in your area.
- Make sure the electrical lead leading to the insert has been disabled prior to installing this kit.

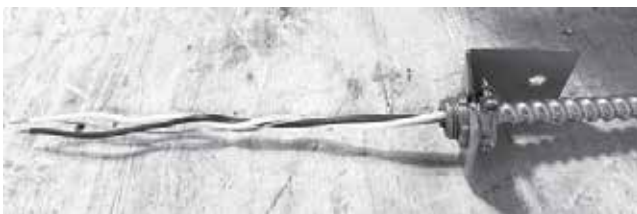
The 946-855 Hardwire Kit contains the following:

	Part #	Description	Qty
1	911-434	Armored Cable - 12/2 AC90 10ft (3m)	1
2	905-114	Adapter Right Angle Zinc 3/8"	1
3	904-687	Connector Clamp 3/8 CI-804	1
4	911-433	Wire Harness Wood Hardwire Kit	1
5	910-199	Clip Wire Holder	1
6	166-186	Bracket Hardwire Kit i3000	1
7	911-252	Twist-On Wire Connector	3
8	911-249	Anti Short Bushing #0 Red	2
9	920-835	Instruction Sheet Hardwire Install i3000	1
10	904-187	Cable Tie Black (CV100W)	2
11	166-452	Heat Shield Right i3000	1

There are two locations that the hardwire kit can be installed in, front & mid sections of the insert.

Front Install:

1. Install armored cable onto 90 degree bracket. (strip 10" of the armor).



2. Remove the screw from the right front side of the unit and mount the bracket to the unit.
3. Route the wires to the front behind the height adjustment bolt.



Mid Section Install:

1. Remove the bracket from the right side of the unit (2 screws).

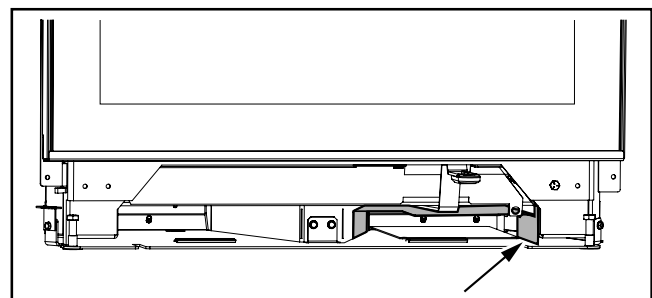


2. Remove the knock out and install the armored cable onto the bracket.
3. Feed the wires through the opening then secure the bracket back onto the unit. Armor will need to be stripped back a minimum of 14".

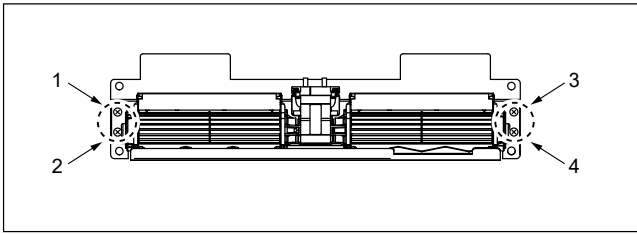


Front/Mid Section Install continued:

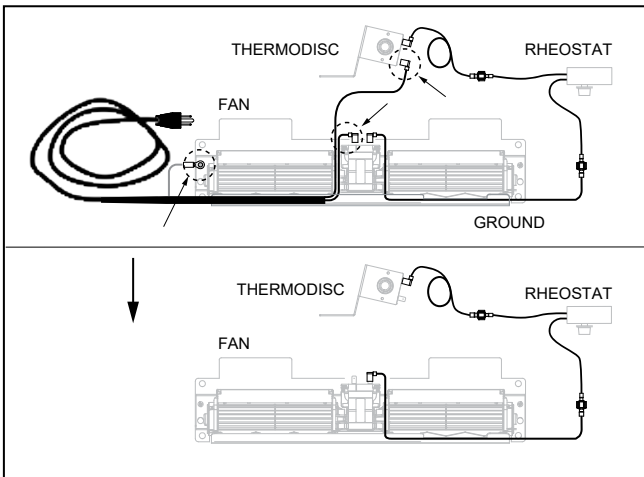
4. Install heat shield on the right under the firebox. Ensure the wires are under the shield.



5. From the fan kit, remove the fan from its base (4 screws) to access the wires.



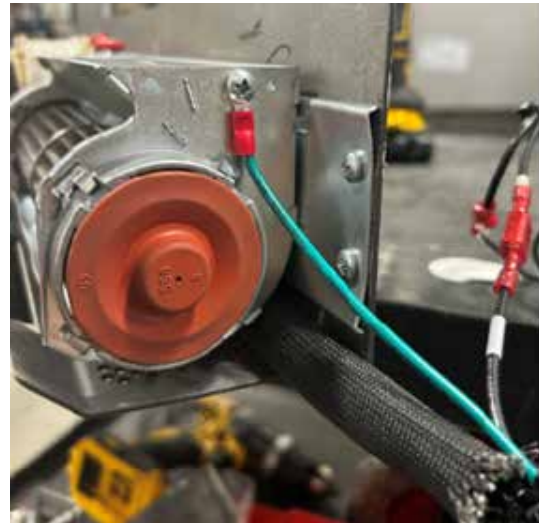
6. Remove the power cord from the fan kit. Disconnect the fan motor, thermodisc and ground leads.



7. Pull the white (neutral) wire of the harness provided through the sleeve and plug the spade connector into the fan motor. Connect the black wire (live) to the thermodisc wire.



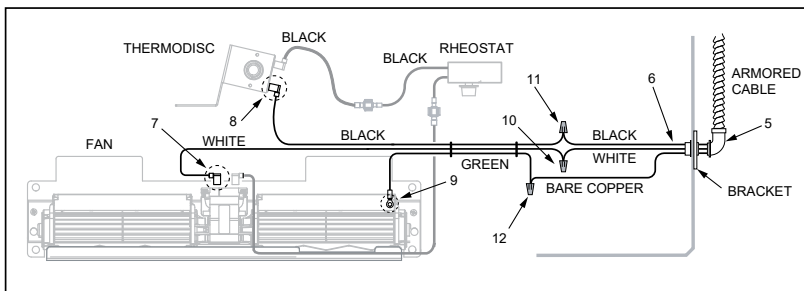
8. Screw the ground wire of the harness to the right side of the fan.
 9. Re-install the fan back onto the base. Be careful not to pinch the wires and sleeve between the fan and base.



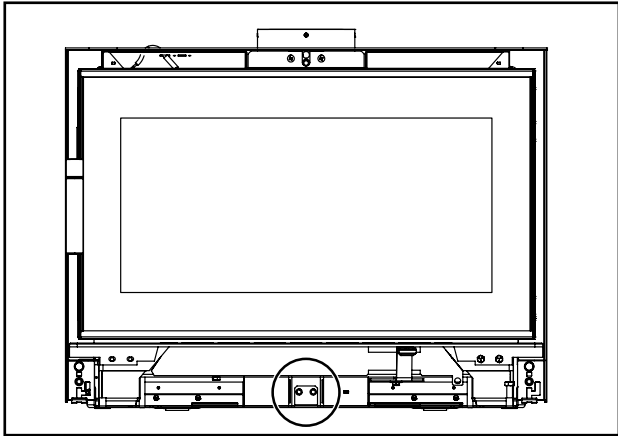
10. Connect the stripped ends of the harness to the armored cable. Make the connections according to color code; neutral (white), live (black) and ground wires (green & bare copper) between the harness and the armored cable.



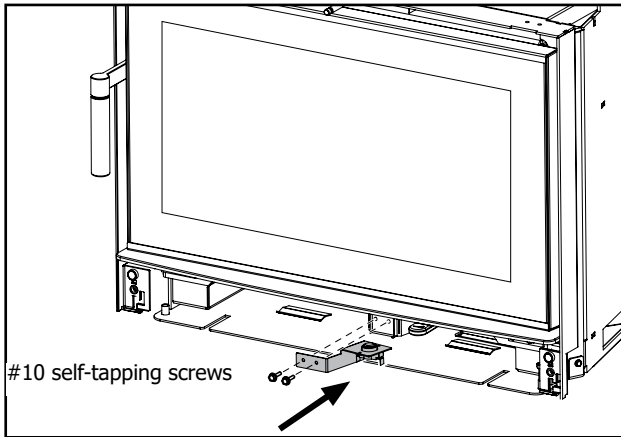
11. Tuck the wires neatly under the heat shield.



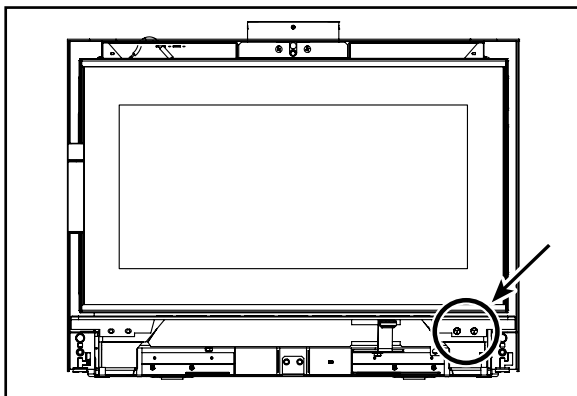
12. Remove the two #10 self-tapping screws located at the bottom of the unit.



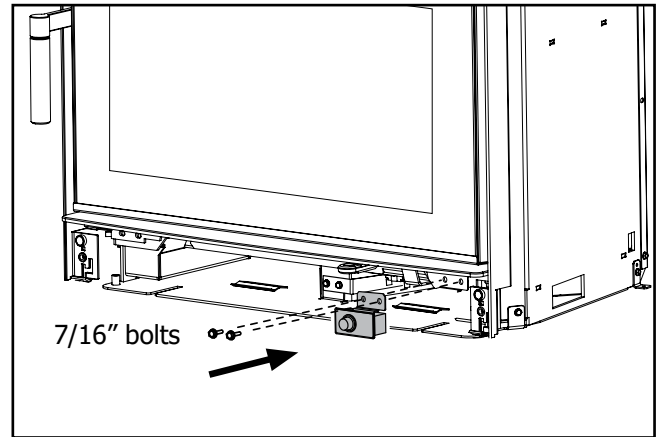
13. Install the thermodisc using the two screws removed in step 1. Make sure the thermostat is pressed up against the bottom of the firebox.



14. Remove the two 7/16" (11 mm) bolts on the right side of the ash lip.

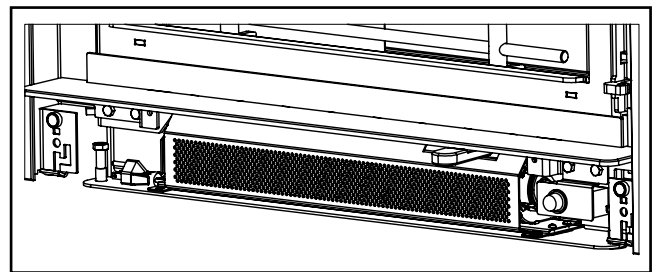
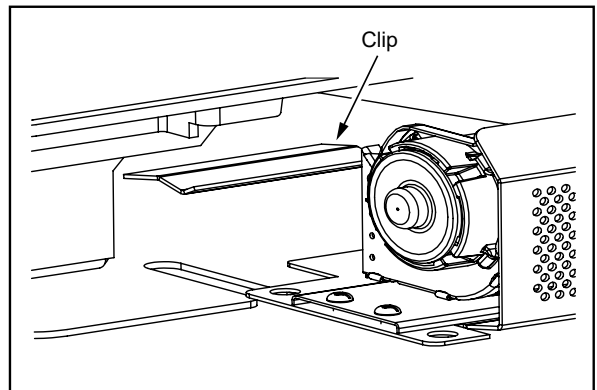


15. Install the rheostat using the two 7/16" (11 mm) bolts removed in step 3.

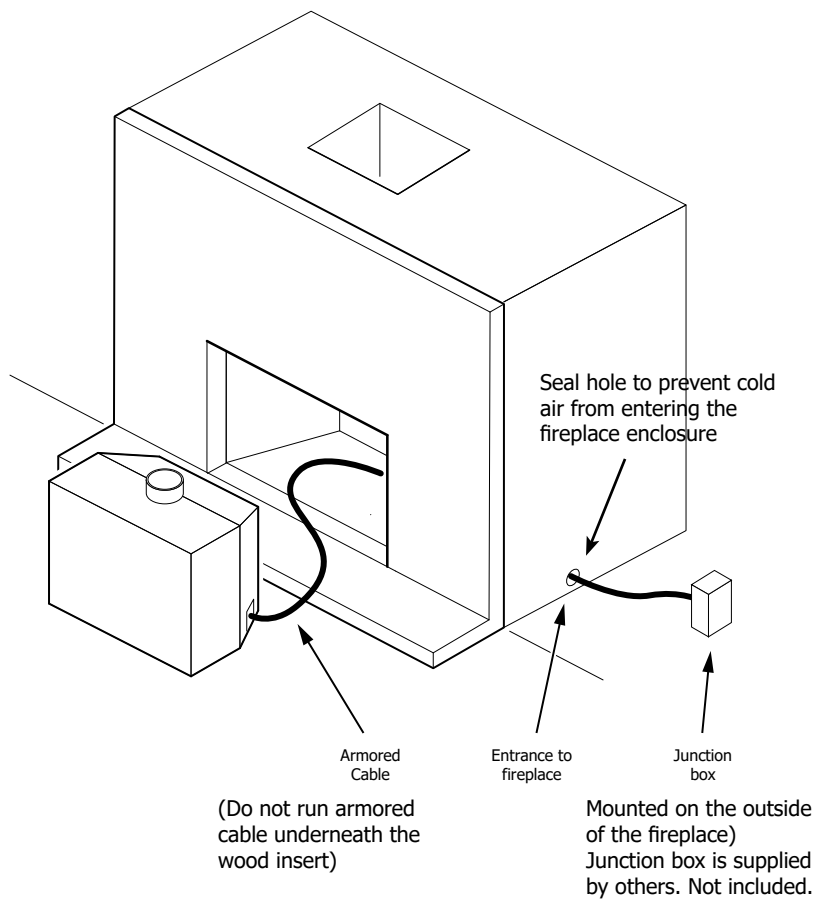


16. Tuck all the wires under the heat shield.

17. Attach the fan assembly by sliding it into the welded clip on either side of the unit. The power plug will come out on the left side. It can come out on the right side by placing it between the fan cover and fan.



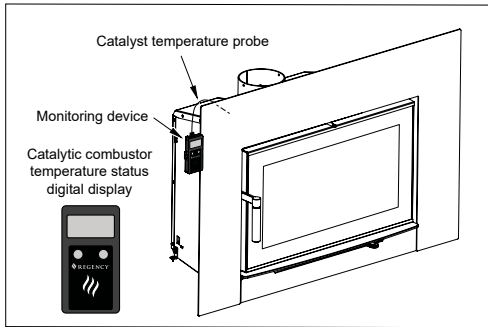
18. The wood insert should be placed on the fireplace hearth in position to access the right side of the insert.
19. Route the conduit on the wiring harness through the fireplace to a junction box outside of the fireplace.
 NOTE: Leave extra slack in the conduit to allow for servicing of the wood insert. When placing the wood insert into place, route the conduit away from the insert to prevent it from contacting or being pinched by the insert.
20. Install stainless steel liner and optional accessories to complete the installation.



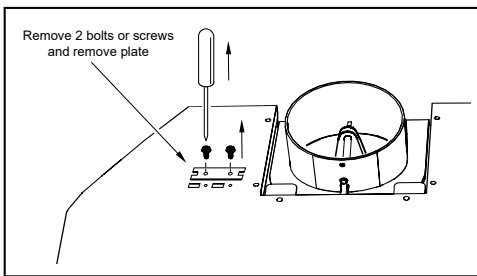
Catalytic Combustor Digital Display Monitor

There is a catalytic temperature monitoring device with a digital display. Please follow instructions below for the installation of the probe. Follow the user instructions of the catalytic monitoring device for product set up and details.

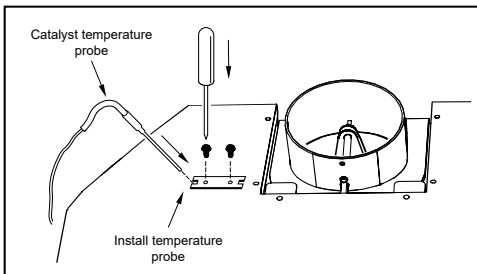
Important: The catalytic monitor probe which is supplied with this appliance must be installed prior to sliding the unit into final position in the masonry fireplace.



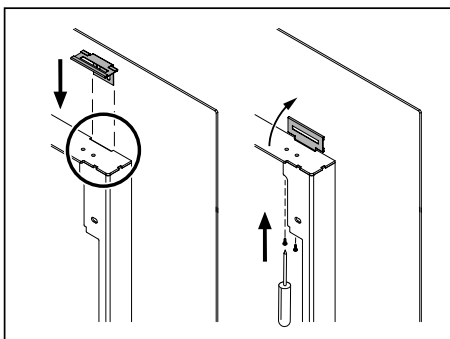
1. Remove two (2) bolts from the top of the unit to remove plate as shown below.



2. Insert the temperature probe through the plate and into the hole at an angle and reinstall the plate removed in step 1.

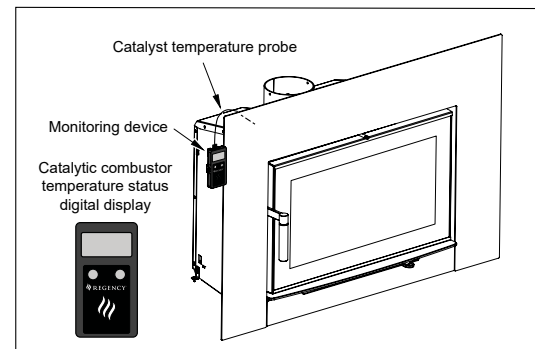
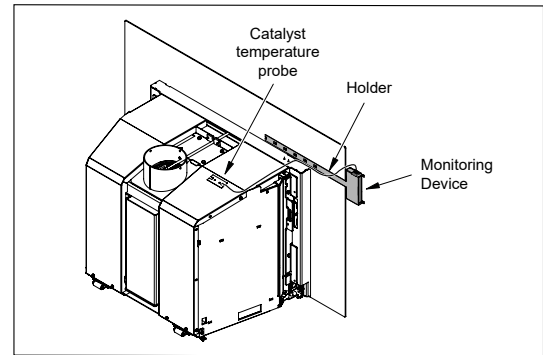
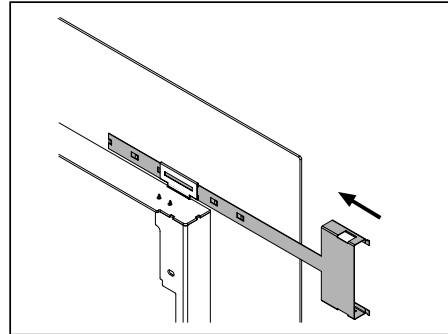


3. Ensure temperature probe wire is routed behind the faceplate and to the left side of the unit. To attach the catalyst monitor holder bracket to the faceplate, slide into the slot and pivot up. Install 2 screws through the bracket from below. (Install bracket and screws on the top surface if using a Premium or Traditional Surround trim).



4. Slide monitor holder into the bracket until it is aligned with the faceplate edge. Bend of the tabs to lock the holder into position.

Note: The monitor holder bracket, monitor holder and 2 screws can be found in the manual package.



5. Install 9 Volt battery into the back side of the monitor, slide the monitor into the holder, and plug in the probe.

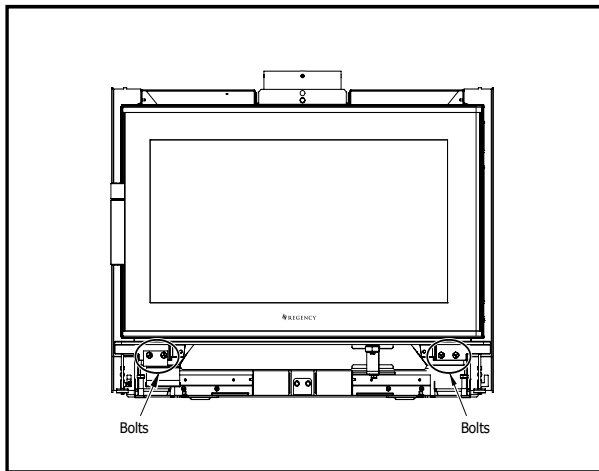
See instruction user guide that accompanies the digital monitor.

Contemporary/Classic/Arched/Custom Faceplate Installation

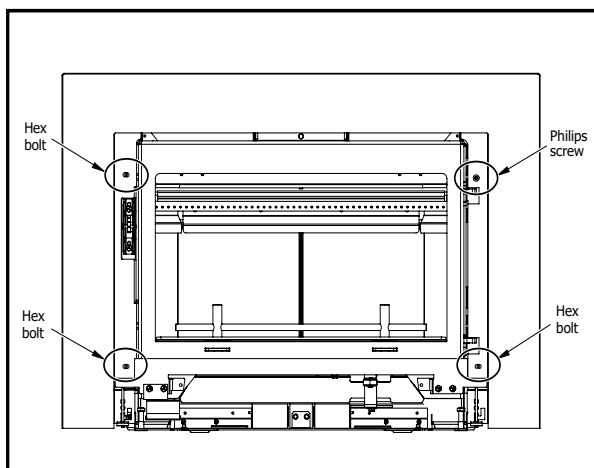
These instructions are for use with the following products:

PART #	Description
166-910	Contemporary Faceplate
166-911	Contemporary Faceplate Oversize
166-912	Classic Faceplate
166-913	Classic Faceplate Oversize
166-914	Arched Faceplate
166-937	Custom Faceplate

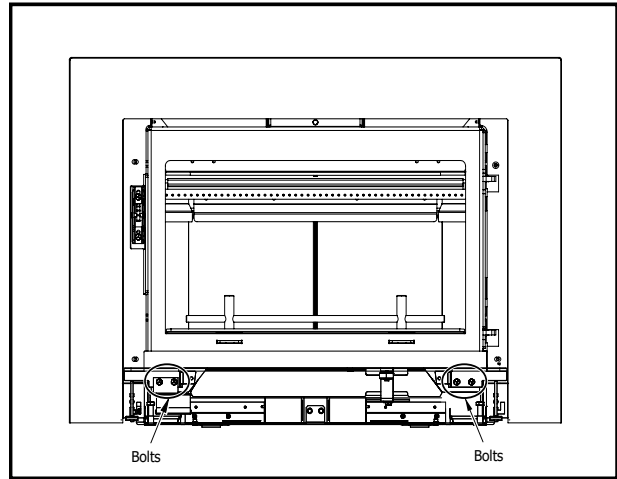
1. Remove the door by lifting up and out, then remove the four 7/16" bolts.



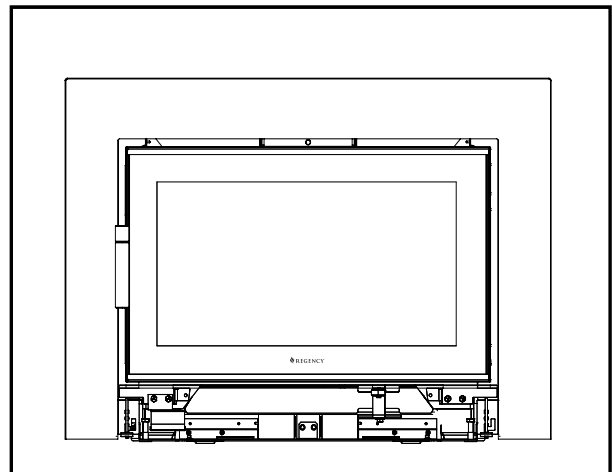
2. If the unit has either a premium surround or traditional extrusion accessory, attach it to the faceplate before mounting.
3. Install the faceplate by screwing in three 7/16" hex head bolts and a Phillips countersunk screw at the top right.



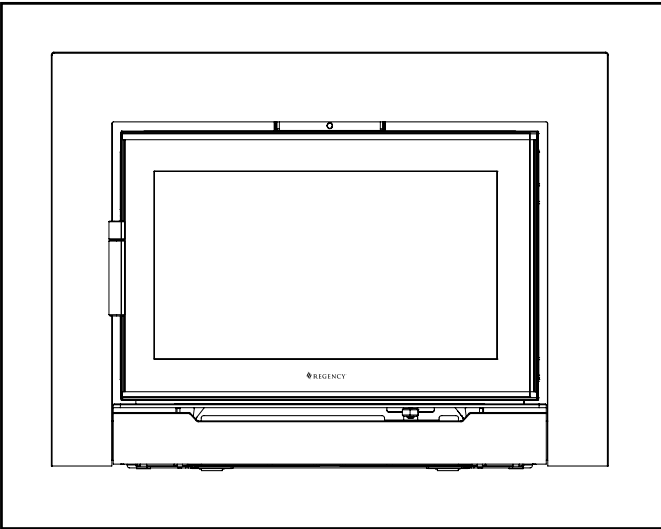
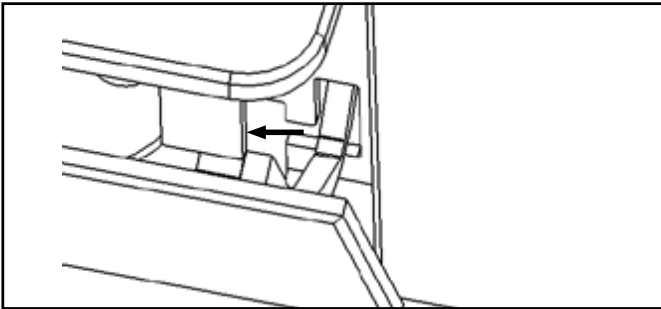
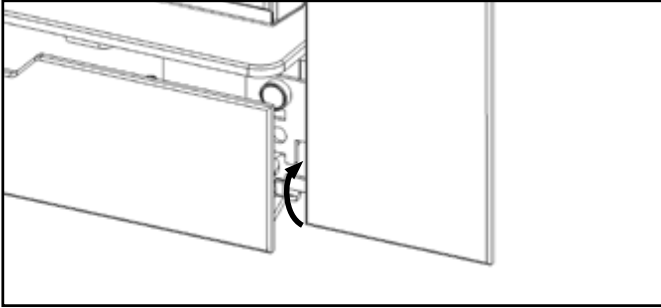
4. Install the ash lip on the unit using the bolts that were removed in Step 1.



5. Gently attach the door onto the unit.



6. Install the fan cover by tilting it slightly so the hooks can fit into the side slots in the faceplate. Once hooks are inside the slots, slide the fan cover left to its final position.



Fan Installation

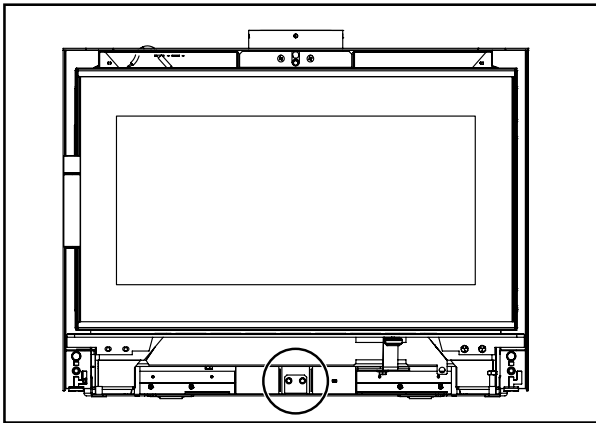
NOTES The fan should only be installed once the unit is in place in order to prevent damage.

Installer: Record unit serial number here before installing blower.

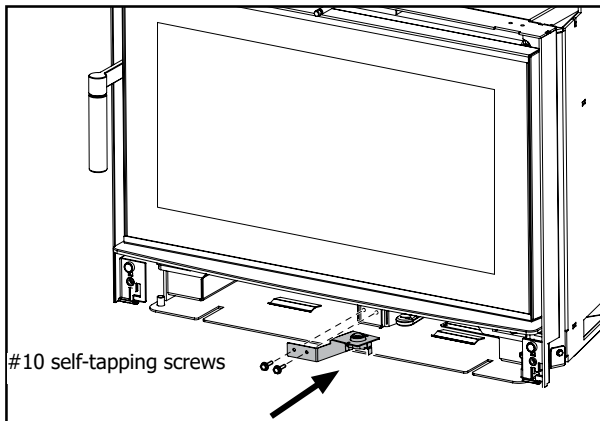
Serial No. _____

This fan assembly can only be installed in a heater that is marked to allow its use. Install your fan once the unit is in place in order to prevent damage.

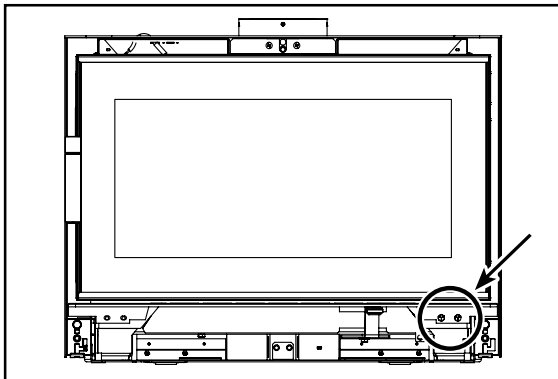
1. Remove the two #10 self-tapping screws located at the bottom of the unit.



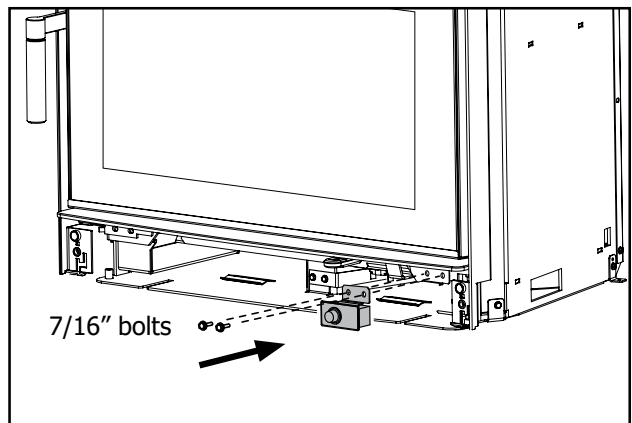
2. Install the thermodisc using the two screws removed in step 1. Make sure the thermostat is pressed up against the bottom of the firebox.



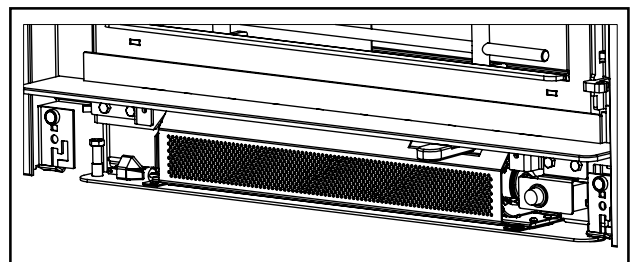
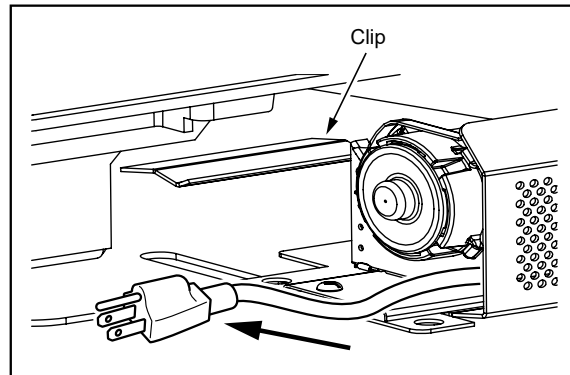
3. Remove the two 7/16" bolts on the right side of the ash lip.



4. Install the rheostat using the two 7/16" bolts removed in step 3.



5. Attach the fan assembly by sliding it into the welded clip on either side of the unit. The power plug will come out on the left side. It can come out on the right side by placing it between the fan cover and fan.



Fan Operation

The fan is controlled by a rheostat which regulates heat output.

The fan will turn on as the stove comes up to operating temperature. The rheostat will also shut the fan system off after the fire has gone out and the unit has cooled to below a useful heat output range.

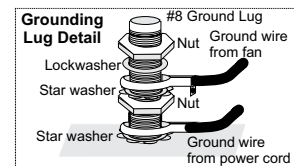
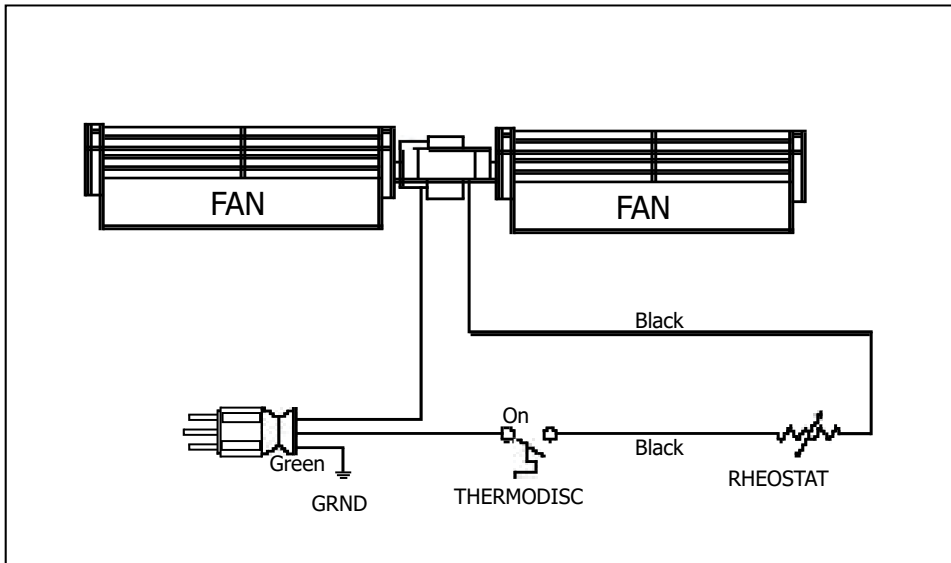
If the fan cycles on and off continuously, the thermo switch sensor is not making contact with the stove body. Remove the fan, bend the bracket closer to the stove, and re-install the fan.

Operate the fan in the <LOW> position when burning in the <LOW-MED> heat output setting, and on <HIGH> when burning in the <MED-HIGH> settings.

Electrical Grounding Instructions

WARNING

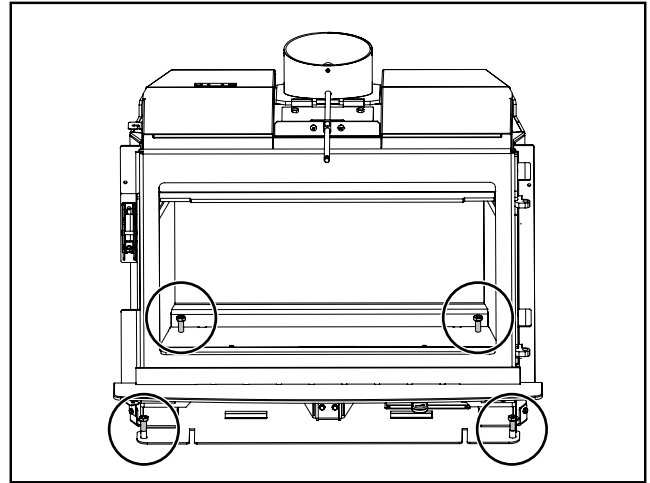
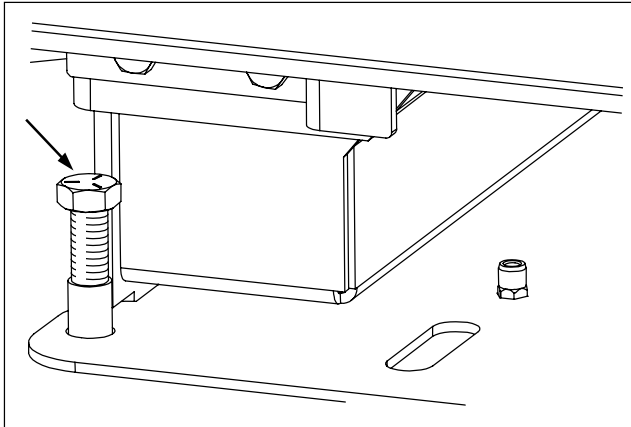
- This appliance is equipped with a three-prong plug for your protection against shock hazard and should be plugged directly into a properly grounded three-prong receptacle. Do not cut or remove the grounding prong from this plug.
- Label all wires prior to disconnection when servicing controls. Wiring errors can cause improper and dangerous operation.
- Fan assembly must be disconnected from the source of electrical supply before attempting the installation.



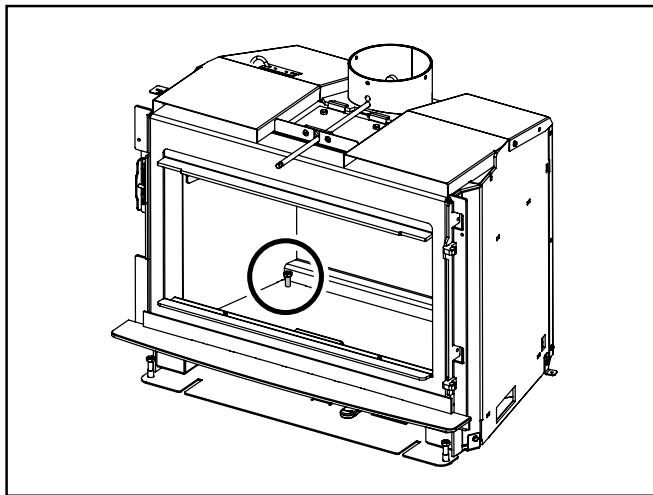
Levelling Bolt Installation

1. Use a 9/16" wrench to adjust the front leveling bolts located on the right and left side of the firebox.

Note: The leveling bolts add 3/4" (19 mm) to the overall height when adjusted all the way down = 25-3/4" (654 mm).

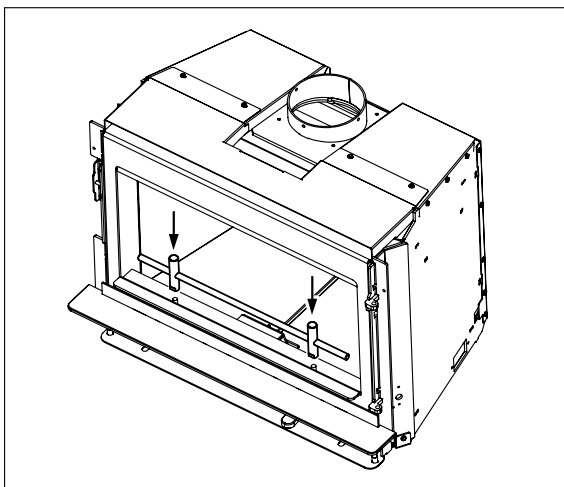


2. Remove the bottom refractory panels, then the side panels to gain access to the rear levelling bolts. You can adjust them using a 9/16" (14 mm) wrench or socket.



Andiron Installation

Install the andirons by sliding them on top of the pins located at the front of the unit.



Brick Panel Installation

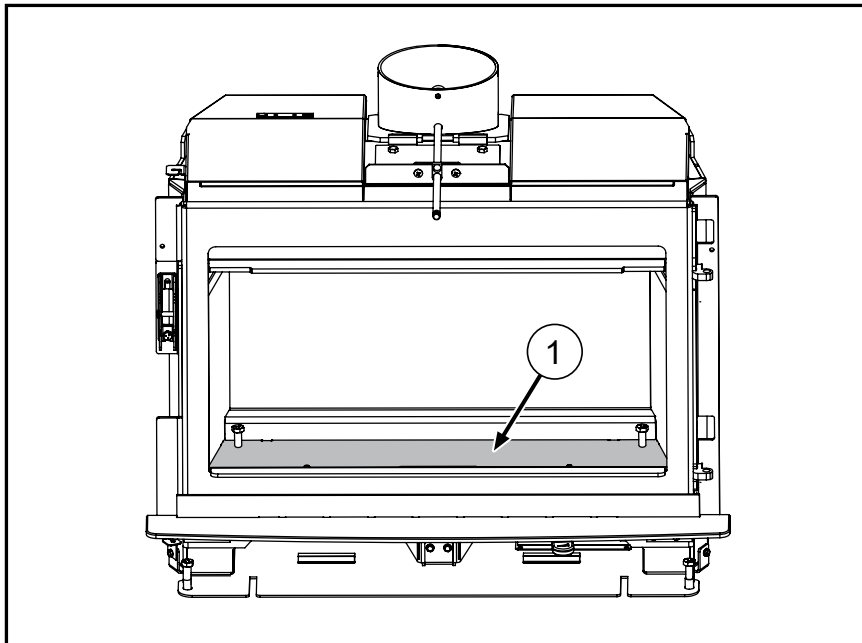
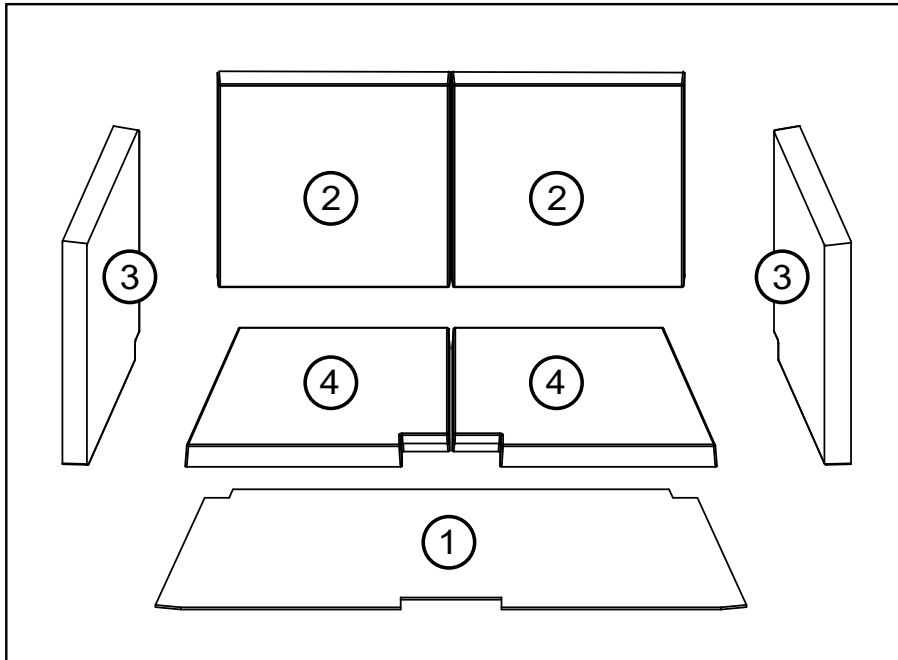
166-960 Firebrick - Complete Set in Order of Installation

Item	Part #	Description
1	166-085	Firebox Floor - Lytherm Sheet
2	166-303/P	Rear Refractory Bricks
3	166-304/P (Right), 166-305/P (Left)	Right and Left Side Bricks
4	166-302/P (Right), 166-301/P (Left)	Bottom Right and Left Refractory Bricks

Bricks will be installed in the unit. Remove bricks to reduce unit weight when installing the unit and to access rear leveling bolts.

- A) Install Lytherm sheet (1) onto firebox floor
- B) Install rear refractory bricks (2)
- C) Install right brick (3) & left brick (3)
- D) Install the bottom refractory bricks (4) onto the Lytherm sheet (1)

NOTE The brick retainers do not need to be removed to install this brick kit.



Seasoned Wood

Whether in a fireplace, stove, or insert, good quality firewood is the key to fire efficiency and safety. Wet wood and pieces that are not the right size and shape for your wood burner can be frustrating, burn inefficiently and deposit creosote that can fuel a dangerous chimney fire. Good seasoning and storage of the firewood supply are essential to successful wood burning.

- Stack the wood in separate rows in an open location where the summer sun can warm it and breezes can carry away the moisture.
- Do not stack unseasoned wood tightly in an unvented storage area.
- Do not allow firewood to lie on the ground for more than a couple of days before stacking. Mould and rot can set in quickly.
- Stack the wood off the ground on poles, lumber rails, or pallets.
- The top of the pile can be covered, not the sides.

Softer woods like pine, spruce, and poplar/aspens that are cut, split, and stacked properly in the early spring may be ready for burning in the fall. Hard woods like oak and maple and large pieces of firewood may take a minimum of one year to dry. Drying may also take longer in damp climates.

Here are a few ways to tell if your wood is dry enough to burn efficiently. Use as many indicators as possible to judge the dryness of your firewood.

- Using a moisture meter, penetrate the pins into a split piece of wood. The ideal moisture level of seasoned firewood is less than 20%.
- Checks or cracks in the end grain can be an indication of dryness, but may not be a reliable indicator. Some wet wood has checks and some dry wood has no checks.
- The wood tends to darken from white or cream colour to grey or yellow as it dries.
- Two dry pieces banged together sound hollow; wet pieces sound solid and dull.
- Dry wood weighs much less than wet wood.
- Split a piece of wood. If the exposed surface feels damp, the wood is too wet to burn.

Operating Instructions

With your unit now correctly installed and safety inspected by your local authority, you are now ready to start a fire. Before establishing your first fire, it is important that you fully understand the operation of your Catalytic combustor and draft control.

WARNING

Fireplace Inserts equipped with doors should be operated only with doors fully closed. If doors are left partly open, gas and flame may be drawn out of the fireplace insert opening, creating risks from both fire and smoke.

Load wood in the area between the andirons and the back of the firebox. Do not load in front, between the andirons and the door glass.

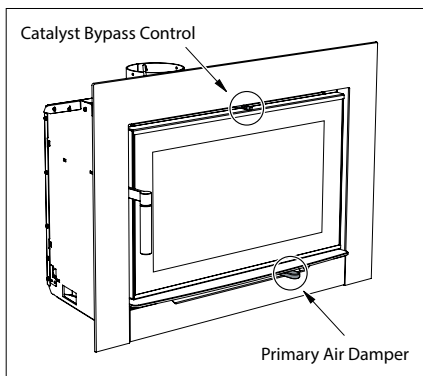
Draft Control

Both the primary and air wash drafts are controlled by the control slide located on the front right side of the unit (when facing the unit). To increase your draft - slide to the right to open, and to decrease - slide to the left to close. The i3000A/i3000R Wood Insert has a secondary draft system that continually allows combustion air to the induction ports at the top of the firebox, just in front of the catalytic combustor.

Draft is the force which moves air from the appliance up through the chimney. The amount of draft in your chimney depends on the length of the chimney, local geography, nearby obstructions and other factors. Too much draft may cause excessive temperatures in the appliance and may damage the catalytic combustor. Inadequate draft may cause back puffing into the room and plugging of the chimney or catalyst.

Catalyst Bypass Control

In - Closed Out - Open



Primary Air Damper

Left - Closed Right - Open

WARNING: To build a fire in ignorance or to disregard the information contained in this section can cause serious permanent damage to the unit and void your warranty!!

First Fire

When your installation is completed and inspected you are ready for your first fire.

THIS UNIT IS DESIGNED TO BURN SEASONED CORDWOOD ONLY. COAL, BRIQUETTES AND ALL OTHERS LISTED ON PAGE 2 ARE NOT APPROVED. SEASONED CORDWOOD SHOULD BE LESS THAN 20% MOISTURE CONTENT.

START UP AND OPERATING PROCEDURES:

- For the first few days, the wood insert will give off an odour from the paint. This is to be expected as the high temperature paint becomes seasoned. Windows and/or doors should be left open to provide adequate ventilation while this temporary condition exists. Burning the wood insert at a very high temperature the first few times may damage the paint. During the first few fires, keep the combustion rate at a moderate level and avoid a large fire. Only after 5 or 6 such fires can you operate the wood insert at its maximum setting, and only after the metal has been warmed.
- Do not place anything on the wood insert top during the curing process. This may result in damage to your paint finish. Prepare 3 batches of kindling. Split the batches of kindling as follows:
Batch 1: Fine split, pieces roughly ¾" x ¾" (around 7lbs)
Batch 2: Medium split 1 - 1.5 in. (around 7lbs)
Batch 3: Course split 2 - 2.5 in. (around 7lbs)

- When starting the fire, ensure the bypass is in the fully open position (pulled out) and air control is in the fully open position (far right). Crumble 2-5 pieces of newspaper and add approx. 7lbs of kindling (first batch) stacked in a manner that allows air flow on the firebrick hearth (Teepee style or other). **DO NOT USE A GRATE TO ELEVATE THE FIRE.**

Light the newspaper and adjust the door if it is slightly ajar for less smoke roll out. Keep the door in that position for 4-5 minutes to establish a good fire.

- When ~2lb remains (roughly 20-30min), rake the coals so any unburnt pieces are left on top, and then add Batch 2 of kindling on top in a crisscross pattern. Close the door immediately after loading, and then close the bypass 5 minutes later or when the combustor is active. It shows a temperature above 500°F.

CAUTION: Never leave unit unattended if door is left open. This procedure is for fire start-up only, as unit may overheat if door is left open for too long.

- When ~2lb - 2.5lb remains (roughly another 20-30min), open the by-pass, then open the door to rake the coals so any unburnt pieces are left on top, and then add Batch 3 on top in a crisscross pattern. Close the door and by-pass immediately after loading.

NOTE: These steps are crucial to ensure proper charcoalization and coal bed prior to loading the main wood loads for Low, medium low, medium high or high burn fire loads.

- Once this has burned down, open the door and the bypass, and rake the coals to create a uniform charcoal bed. The load consists of 5

logs 17 in. to 20 in. long: Load in an East West orientation 2 pieces 17" long in the back one on top of each other, 2 pieces 18.5" long stacked in the middle and 2 logs 20" long in front one on top of each other, and ensure all pieces are behind the log retainers. Once loaded, close the door and the bypass right away. Burn on high setting (air control to the far right when facing the unit) for 10-15 minutes. After the 10-15 minutes, adjust the air control to your desired position.

High fire: Air control to far right

Low fire: Air control to far left

Medium low fire: air control 1/4" or less to the right of the low fire setting

Medium high fire: approx 0.5" or more to the right of the low fire setting.

- IMPORTANT:** The temperature in the wood insert and the gases entering the combustor must reach between 500°F - 700°F (260°C - 371°C) for catalytic activity to start. From the start up of a cold wood insert, a medium to high firing rate must be maintained for 30 min. This ensures that the wood insert, catalyst and fuel are all stabilized at proper operating temperatures. Even though it is possible to have temperatures at 600°F (315°C) within minutes after a fire has been started, if the fire is allowed to die down immediately it may go out or the combustor may stop working. Once the combustor starts working, heat generated in it by burning the smoke will keep it working. During re-fueling and rekindling of the cool fire, or a fire that has burned down to the charcoal phase, operate the wood insert at a medium to high firing rate for about 10 minutes to ensure that the catalyst reaches operating temperatures.

WARNING: Never build a roaring fire in a cold wood insert. Always warm your wood insert up slowly!

- When re-fueling, always open by-pass control, and primary air damper, load fuel, then wait for at least 10-15 minutes before closing the by-pass. Reason for the 10-15 min. is the fresh fuel and the opening of the door will cause the catalyst to drop in temperature as well as the moisture within the wood which is the first thing to be released. This will also minimize any smoking (spilling) back into the room.
- During the first few days it may be more difficult to start the fire. As you dry out your firebrick and your masonry flue, your draft will increase.
- For those units installed at higher elevations or into sub-standard masonry fireplaces, drafting problems may occur. Consult an experienced dealer or mason on methods of increasing your draft.
- Some cracking and popping noises may be experienced during the heating up process. These noises will be minimal when your unit reaches temperature.
- All fuel burning appliances consume oxygen during operation. It is important that you supply a source of fresh air to your unit while burning. A slightly opened window is sufficient for the purpose. If you also have another fireplace in your home, a downdraft may be created by your Regency wood insert causing a draft down your

chimney. If this occurs, slightly open a window near your unit.

CAUTION: If the body of your wood insert, or any part of the chimney connector starts to glow, you are over firing. Stop loading fuel immediately and close the draft control until the glow has completely subsided.

13. Green or wet wood is not recommended for your unit. If you must add wet or green fuel, open the draft control fully until all moisture has been dispersed by the intense fire. Once all moisture has been removed, the draft control may be adjusted to maintain the fire.

14. If you have been burning your stove on a low draft, use caution when opening the door. After opening the damper, open the door a crack, and allow the fire to adjust before fully opening the door.

15. The controls of your unit or the air supply passages should not be altered to increase firing for any reason.

16. If you burn the unit too slowly or at too low a setting your unit will not be operating as efficiently as it can. An easy rule of thumb says that if your glass is clean, catalytic thermostat is active, then your flue is clean and your exhaust is clean. Burn the stove hot enough to keep your glass clean and catalytic combustor, you won't need to clean your flue as often.

HOT WHILE IN OPERATION. KEEP CHILDREN, CLOTHING AND FURNITURE AWAY. CONTACT MAY CAUSE SKIN BURNS.

Ash Disposal

During constant use, ashes should be removed every few days. Please take care to prevent the build-up of ash around the start-up air housing located inside the firebox, under the loading door lip.

DO NOT ALLOW ASHES TO BUILD UP TO THE LOADING DOORS.

Only remove ashes when the fire has died down. Even then, expect to find a few hot embers. Always leave 1 to 2 inches of ash in the bottom of the firebox. This helps in easier starting and a more uniform burn of your fire.

Ashes should be placed in a metal container with a tight fitting lid. The closed container of ashes should be placed on a noncombustible floor or on the ground, well away from all combustible materials, pending final disposal. If the ashes are disposed of by burial in soil or otherwise locally dispersed, they should be retained in the closed container until all cinders have thoroughly cooled. Other waste should not be placed in the ash container.

Fan Operation

AUTOMATIC

To operate the fan, turn on the rheostat. This will allow the fan to turn on when the stove comes up to operating temperature. It will also shut the fan system off after the fire has gone out and the unit cools to below a useful heat output range.

Operate the fan in the low speed position when burning in the LOW-MED LOW heat output ranges, and operate it on the high setting for MED-HIGH to HIGH heat outputs. Route the power cord to the left or right behind the unit.

See draft control instructions for operation of air control. When the appliance is cool it is important to clean in and around the fan. Always ensure areas on the hearth are clean and ashes, debris etc. are not pushed towards the bottom of the fascia. Always brush and clean debris away from the unit, not towards.

Creosote

When wood is burned slowly, it produces tar and other organic vapors, which form creosote when combined with moisture. The creosote vapors condense in the relatively cool chimney flue of a slow-burning fire. As a result, creosote residue accumulates on the flue lining. When ignited, this creosote can make an extremely hot fire.

For wood-burning heaters, reference to the formation and removal of creosote buildup in the chimney connector and chimney as follows (the inspection frequency "once every two months" stated below may be a shorter time period at the manufacturer's or private labeler's options):

"Creosote - Formation and Need for Removal
The chimney connector and chimney should be inspected at least once every two months during the heating season to determine if a creosote buildup has occurred.
If creosote has accumulated it should be removed to reduce the risk of chimney fire.

Removal for Cleaning

Removal of your insert for cleaning purposes is usually not required if a proper installation has been done. In the event that removal is required, be sure not to damage any parts needed for re-installation. In most cases removal and replacement of the baffle system should allow full access for cleaning.

WARNING: In case of chimney fire:

- 1. Close draft control**
- 2. Call the Fire Department**

Ways to Prevent and Keep Unit Free of Creosote

- 1.** Burn insert with draft control wide open for about 45 minutes every morning during burning season. This helps to prevent creosote deposits within the heating system.
- 2.** Burn insert with draft control wide open for about 10 - 15 minutes every time you add fresh wood. This allows the wood to achieve the charcoal stage faster and burns up any wood vapors which might otherwise be deposited within the system.
- 3. Only burn seasoned wood!** Do not burn wet or green wood. Seasoned wood that has been dried at least one year must be used.

- 4.** A small hot fire is preferable to a large smouldering one that can deposit creosote within the system.
- 5.** Check the chimney at least twice a month during the burning season for creosote build-up.
- 6. Have chimney system and unit cleaned by competent chimney sweeps twice a year during the first year of use and at least once a year thereafter or when a significant layer of creosote has accumulated (3mm / 1/8" or more) it should be removed to reduce the risk of a chimney fire.**

Wood Storage

Store wood under cover, such as in a shed, or covered with a tarp, plastic, tar paper, sheets of scrap plywood etc., as uncovered wood can absorb water from rain or snow, delaying the seasoning process.

Safety Guidelines & Warnings

DO NOT USE CHEMICALS FOR FLUIDS TO START FIRE.

CAUTION

- 1.** Never use gasoline, gasoline type lantern fuels, kerosene, charcoal lighter fuel, or similar liquids to start or 'freshen up' a fire in your heater. Keep all such liquids well away from the heater while it is in use.
- 2.** Keep the door closed during operation and maintain all seals in good condition.
- 3.** Do not burn any quantities of paper, garbage, and never burn flammable fluids such as gasoline, naphtha or engine oil in your stove.
- 4.** If you have smoke detectors, prevent smoke spillage as this may set off a false alarm.
- 5.** Do not overfire heater. If the chimney connector, flue baffle or the stove top begin to glow, you are over firing. Stop adding fuel and close the draft control. Over firing can cause extensive damage to your stove including warping and premature steel corrosion. Over firing will void your warranty.
- 6.** Do not permit creosote or soot build-up in the chimney system. Check and clean chimney at regular intervals. Failure to do so can result in a serious chimney fire.
- 7.** Your Regency stove can be very hot. You may be seriously burned if you touch the stove while it is operating, keep children, clothing and furniture away. Warn children of the burn hazard.
- 8.** The stove consumes air while operating, provide adequate ventilation with an air duct or open a window while the stove is in use.
- 9.** Do not connect this unit to a chimney flue serving another appliance.
- 10.** Do not use grates, andirons or other methods for supporting fuel. Burn directly on the bricks.

Safety Guidelines & Warnings

- 11. Open the draft control fully for 10 to 15 seconds prior to slowly opening the door when refuelling the fire.
- 12. Do not connect your unit to any air distribution duct.
- 13. This heater is designed to burn natural wood only. Higher efficiencies and lower emissions generally result when burning air dried seasoned hardwoods, as compared to softwoods or to green or freshly cut hardwoods.
- 14. Do not store any fuel closer than 2 feet from your unit. Do not place wood, paper, furniture, drapes or other combustibles near the appliance.
- 15. Do not operate with cracked/broken, plugged, or glazing catalystr.

IMPORTANT : This wood heater contains a catalytic combustor, which needs periodic inspection and replacement for proper operation. It is against federal regulation to operate this wood heater in a manner inconsistent with operating instructions in this manual, or if the catalytic element is deactivated or removed.

- 16. The controls of your unit or the air supply passages should not be altered to increase firing for any reason.
- 17. If you burn the unit too slowly or at too low a setting your unit will not be operating as efficiently as it can. An easy rule of thumb says that if your glass is clean, catalytic thermostat is active, then your flue is clean and your exhaust is clean. Burn the stove hot enough to keep your glass clean and catalytic combustor, you won't need to clean your flue as often.

DO NOT BURN:

- Treated wood
- Coal
- Garbage
- Cardboard
- Solvents
- Colored Paper
- Trash
- Salt drift wood
- Cut lumber, plywood, mill ends.

Burning treated wood, garbage, solvents, colored paper or trash may result in release of toxic fumes and may poison or render ineffective the catalytic combustor. Burning coal, cardboard, or loose paper can produce soot, or large flakes of char or fly ash that can coat the combustor, causing smoke spillage into the room, and rendering the combustor ineffective.

DO NOT BURN GARBAGE OR FLAMMABLE LIQUIDS SUCH AS GASOLINE, NAPHTHA OR ENGINE OIL. SOME FUELS COULD GENERATE CARBON MONOXIDE AND ARE VERY DANGEROUS.

CAUTION: DO NOT CONNECT TO, OR USE IN CONJUNCTION WITH ANY AIR DISTRIBUTION DUCT WORK UNLESS SPECIFICALLY APPROVED FOR SUCH INSTALLATION.

Troubleshooting Guide		
PROBLEM	POSSIBLE CAUSE	SOLUTION
Crumbling Substrate	Extreme Thermal Shock Refueling with Wet Wood High Draft	Bypass combustor when the stove is running Use seasoned, dried wood. Do not exceed .06" of water draft. Install a manual damper and draft gauge or a barometric damper.
Fly-Ash Build-up Fly-Ash Masking Fly-ash Plugging	Combustor has not maintained light-off temperature. Combustor has not maintained light-off temperature. Burning materials that produce a lot of char and fly-ash. Closing the bypass too soon	Brush cold combustor with a soft bristled brush or vacuum lightly. Brush cold combustor with a soft bristled brush or vacuum lightly. Do not burn cardboard, gift wrap or garbage. Follow instructions for proper light-off.
Thermal Cracking	Uneven temperatures, flame impingement and heat spikes.	If cracking causes large pieces to fall out, replace combustor.
Mechanical Cracks	Combustor mishandled or abused. Distortion of combustor holder.	Handle combustor with care. Replace if necessary. Replace combustor is large pieces are missing, replace any warped stove parts as well.
Plugging (Creosote)	Burning wet, pitchy woods or burning large loads of small diameter wood with the combustor in the operating position without light-off ever occurring.	Burn dried seasoned wood. Make sure combustor has light-off before closing the bypass damper. It may be possible to burn off the soot or creosote accumulation by putting the combustor in a partially open and partially closed position after a hot fire has been started.
Masking (Soot)	Combustor has not maintained a light-off. Burning coal will cause a sulfur-based compound to coat the catalystr.	Place combustor in a partially open and partially position after a hot fire has been started to burn off the soot accumulation. Revert to burning wood and fire the combustor to elevated temperatures for one hour.

Catalytic Combustor (Part # 166-543)

This wood heater contains a catalytic combustor, which needs periodic inspection and replacement for proper operation.

ACHIEVING AND MAINTAINING CATALYST LIGHT-OFF:

There are some obvious signs of trouble that your inspection may reveal. The temperature in the stove and the gases entering the combustor must be raised to between 500°F to 700°F (260°C to 371°C) for catalytic activity to be initiated. During the start up of a cold stove a medium to high firing rate must be maintained for about 30 minutes. This ensures that the stove, catalyst and fuel are all stabilized at proper operating temperatures. Even though it is possible to have temperatures at 600°F (315°C) within minutes after a fire has been started, if the fire is allowed to die down immediately it may go out or the combustor may stop working. Once the combustor starts working, heat generated in it by burning the smoke will keep it working. During re-fueling and rekindling of the cool fire, or a fire that has burned down to the charcoal phase, operate the stove at a medium to high firing rate for about 10 minutes to ensure that the catalyst reaches operating temperatures.

CATALYST MONITORING: It is important to periodically monitor the operation of the catalytic combustor to ensure that it is functioning properly and to determine when it needs to be replaced. A non-functioning combustor will result in a loss of heating efficiency, and an increase in creosote and emissions. Following is a list of items that should be checked on a periodic basis.

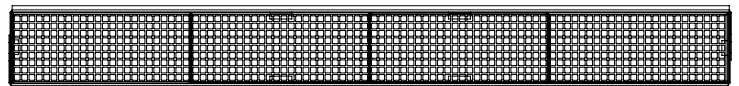
- Combustors should be visually inspected at least three times during the heating season to determine if physical degradation has occurred. Actual removal of the combustor is not recommended unless more detailed inspection is warranted because of decreased performance. If any of these conditions exist, refer to Catalyst trouble shooting section of this owner's manual.
- A good combustor is designed to withstand approximately 12,000 hours of continuous use. This will translate into five to ten years of use, depending on the length of your heating season and how often you use your stove. Proper maintenance will increase the combustor's effectiveness and prevent many problems. Inspect your combustor before each heating season, and during the season if your stove's performance seems to change.
- You can get an indication of whether the catalyst is working by comparing the amount of smoke leaving the chimney when the smoke is going through the combustor and catalyst light – off has been achieved, to the amount of smoke leaving the chimney when the smoke is not routed (by-pass open) through the combustor.

- Step 1:** Light the stove in accordance with instructions within this manual.
- Step 2:** With smoke routed through the catalyst (by-pass closed) go outside and observe the emissions leaving the chimney.
- Step 3:** Engage the bypass mechanism and move to by-pass open position. And again observe the emission leaving the chimney. Significantly more smoke should be seen when the smoke is not routed through the combustor (by-pass open). Be careful not to confuse smoke with steam.

ACHIEVING PROPER DRAFT: Draft is the force which moves air from the appliance up through the chimney. The amount of draft in your chimney depends on the length of the chimney, local geography, nearby obstructions and other factors. Too much draft may cause excessive temperatures in the appliance and may damage the catalytic combustor. Inadequate draft may cause back puffing into the room and plugging of the chimney or catalyst.

CATALYTIC COMBUSTOR CLEANING:

Method #1
A vacuum cleaner may be used, but never use high pressured air to blow the cells free of any build-up. This can damage the cell walls. Any cell blockage can be removed with the use of a pipe cleaner or a cotton swab as well.
Method #2
Should the combustor's cells become covered with fly-ash, use a paintbrush or soft-bristled brush and dust the combustor gently. Never use anything abrasive to clean the combustor.
Method #3
Normally the catalytic combustor requires little or no maintenance, it generates such high temperatures and therefore is basically self-cleaning. However, should the combustor become covered with soot or creosote, it is possible to burn the accumulation off by opening the bypass and building a hot fire. Once the hot fire is created, close the bypass halfway and burn for 30 to 60 minutes with the bypass left in this position. Never use cleaning solvents to clean it. Check and clean the combustor, if necessary, before each burning season and inspect the flue system for any signs of creosote buildup.
A clean flue helps prevent chimney flue fires.

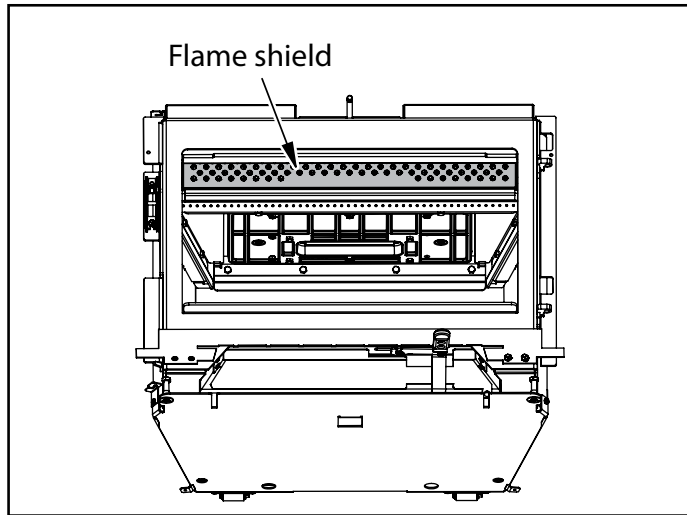


Catalyst Combustor

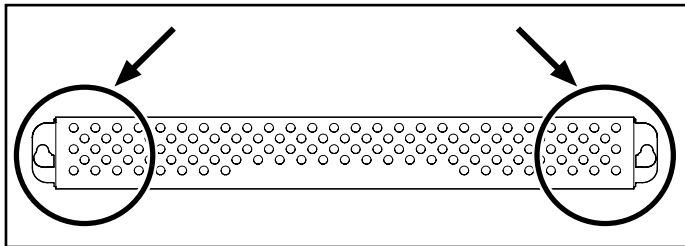
Combustor Assembly Removal / Replacement

If the combustor must be examined or replaced, follow this procedure:

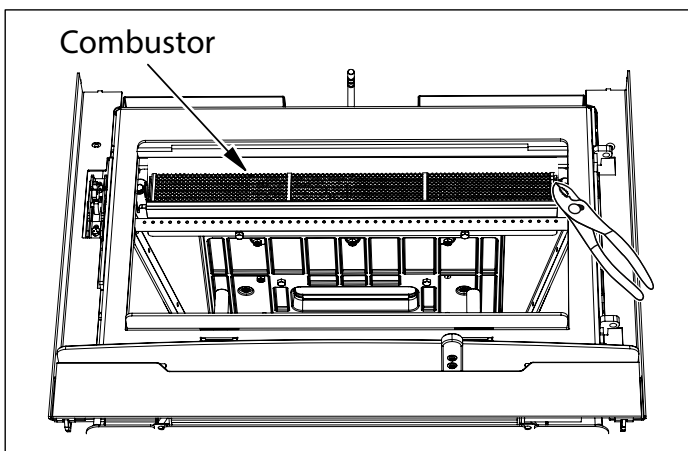
1. Allow the stove to burn out and cool down.
2. Open the door to access flame shield.



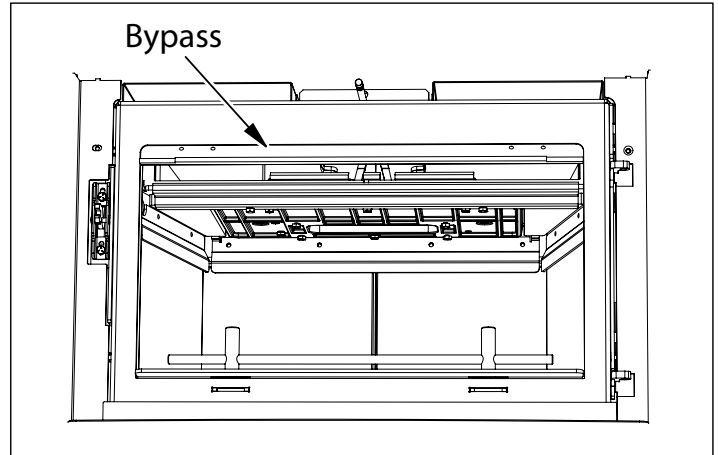
3. Lift flame shield slightly upwards in keyhole slot and pull it forward and down.



4. Use a pair of pliers and gently slide out the band at each end. The assembly will loosen enough that it can be pulled forward, lowered, and pulled out through the door.



NOTE: If also replacing the gasket in the bypass door (see next page), remove the lid of the bypass door while it is accessible and complete steps in Bypass Door Gasket Replacement.



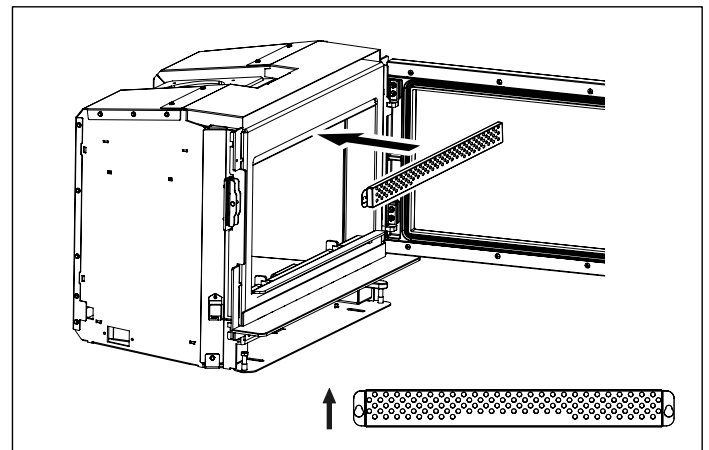
TO REPLACE THE COMBUSTOR:

First clean the combustor area and the area around the by-pass, use a vacuum cleaner.

Lift the new combustor into position, with the stainless flanges on each end facing forward.

The combustor should slide easily into position, you may need to pinch down the top center with your finger to start, gently push as far to the back of the stove as possible.

Replace the flame shield in the orientation shown below.



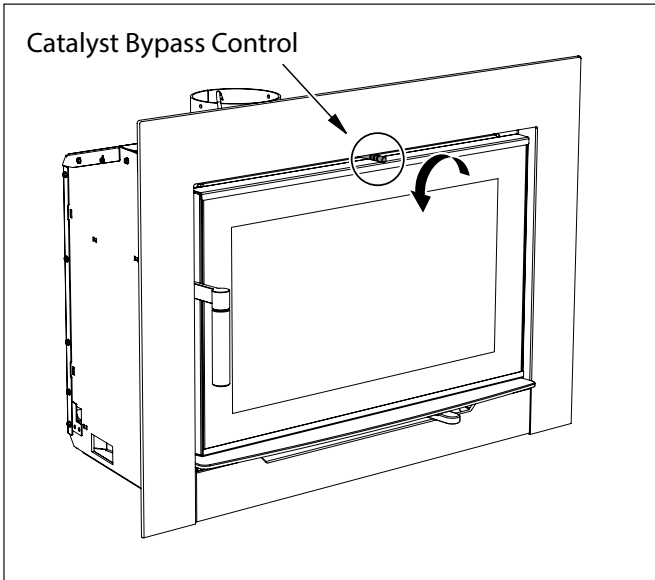
Lift it into position, place the key slot opening over the bolt and push the flame shield down to seat. Tighten the bolt till its SNUG only, do not over tighten. The flame shield should rest at an angle (about 45 degrees) with the thin end at the bottom and the thick end near the top of the stove.

NOTE: Replacement combustors can be retrieved from Applied Ceramics or Contact your local Regency Dealer for details.

DO NOT OPERATE THE APPLIANCE IF COMBUSTOR BECOMES INACTIVE - DO NOT OPERATE WITHOUT COMBUSTOR.

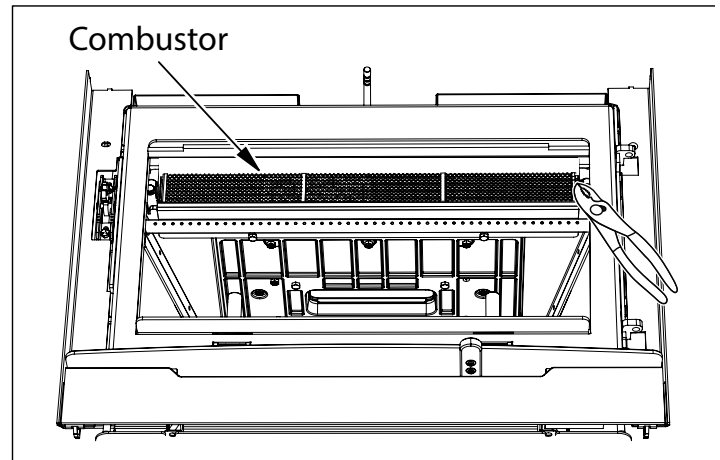
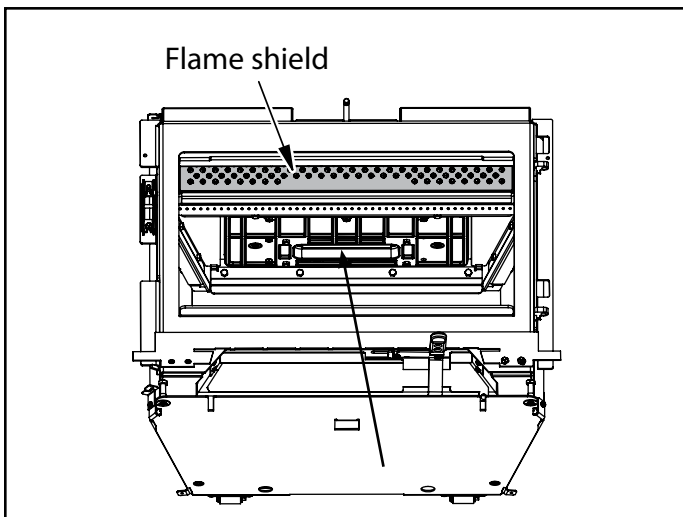
Bypass Door Gasket Replacement

1. Remove bypass rod - turn counter clockwise.

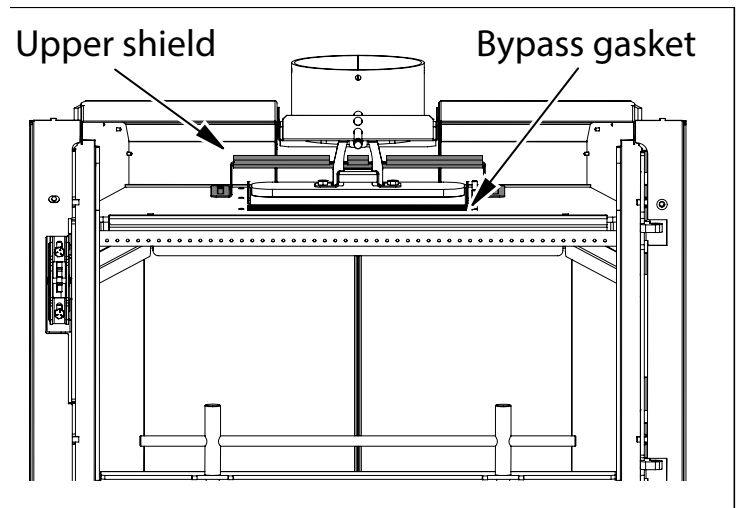


2. The following parts must be removed to allow access and a positive connection.

- a) Combustor Flame Shield
- b) Combustor
- c) Upper Shield

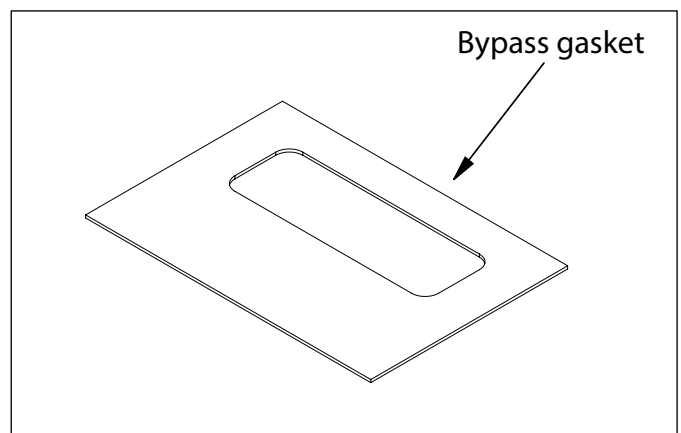


B- Combustor- remove with pliers
Tilt down and forward to ease removal.

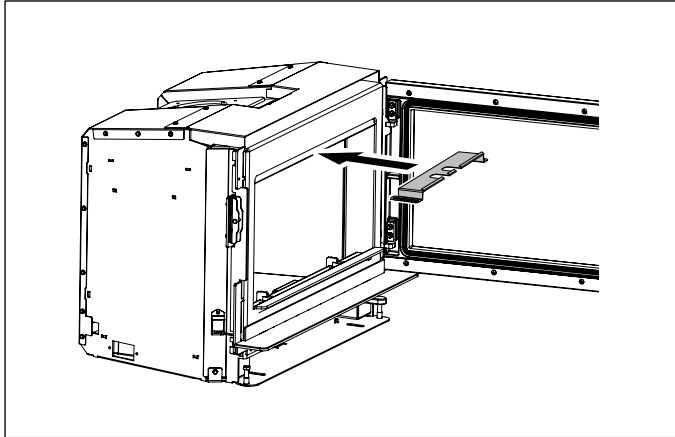


C- Upper Shield - slide forward and lift up to remove.

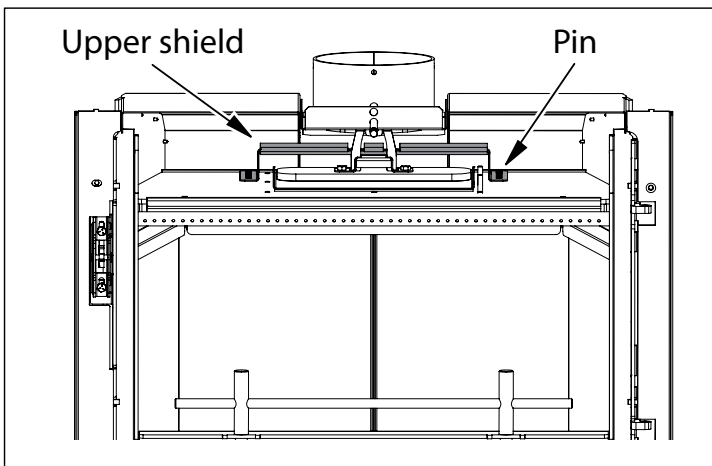
3. Lift off bypass plate, remove bypass gasket and replace with a new one.



- 4. Reinstall bypass plate.
- 5. Reinstall the Upper Shield removed in Step 2c.
 Ensure Upper Shield is centered in between 2 (two) vertical pins from front to back.
 When positioning the upper shield locate the vertical pins by feel.
 When the shield parts are in place - slide to the back.



A- Upper Shield - orientation for reinstall



B- Upper Shield - center between 2 vertical pins

- 6. Reinstall Combustor and Flame Combustor Shield.



Cleaning & Maintaining Your Wood Stove

Glass Cleaning

Only clean your glass window when it is cool. Your local retailer can supply you with special glass cleaner if plain water and a soft cloth does not remove all deposits. Regular cleaning will prevent the build up of carbon and allow full view of fire.

- CAUTION:** Do not build fire too close to glass window.
- WARNING:** Do not use abrasive cleaners.
- WARNING:** Do not clean glass when hot.
- WARNING:** Do not operate unit with broken glass

Glass Replacement

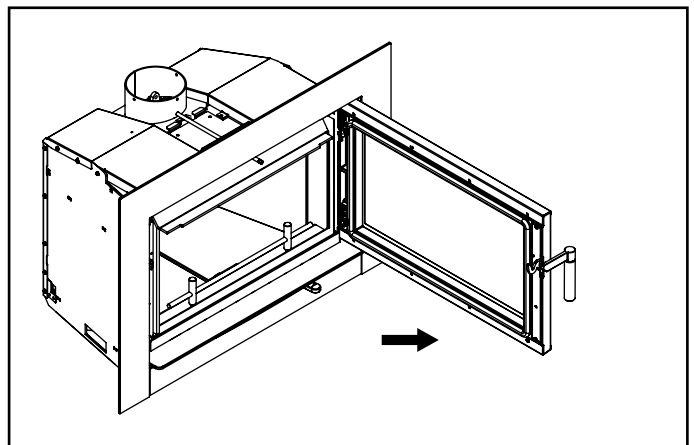
Your Regency Insert is supplied with 5mm Neoceram ceramic glass (Part #940-528/P for the rectangular door glass or 920-529/P for the arched door glass) that will withstand the highest heat that your unit will produce. In the event that you break your glass by impact - purchase your replacement from an authorized Regency dealer only, and follow our step-by-step instructions.

WARNING: Do not use substitute materials.

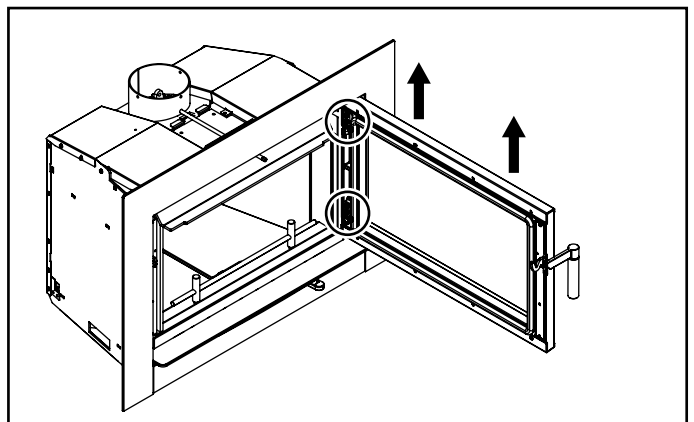
Door Removal

The i3000A/i3000R door can be removed if required. Follow the steps below.

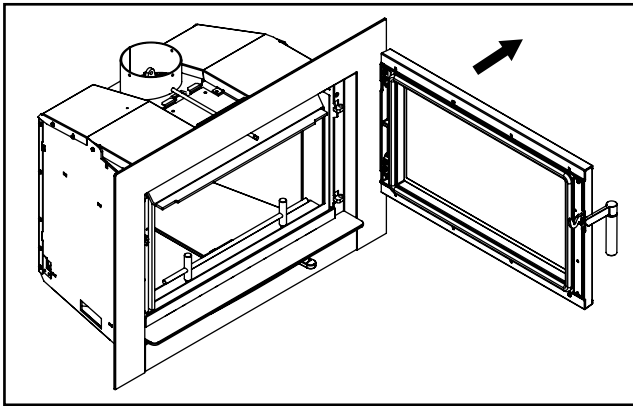
- 1. Open door to fully open position.



- 2. Lift door vertically in a straight line to disengage the hinge pins. Caution: the door is heavy.



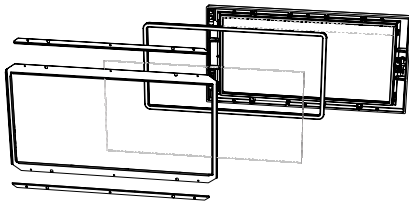
3. Remove door and place in a safe place:



Glass Removal

Allow the stove to cool before removing or replacing glass. Remove the door from the insert and remove the glass retainer. Use caution when removing broken glass to prevent injury.

When placing the replacement glass in the door, make sure the glass gasket will properly seal your unit. Replace the retainer and tighten securely, but do not wrench down on the glass as this may cause breakage. Do not substitute materials. If your glass door does break, do not continue to use your unit until it has been replaced.



WARNING: Avoid impact on glass doors such as striking or slamming shut.

Maintenance

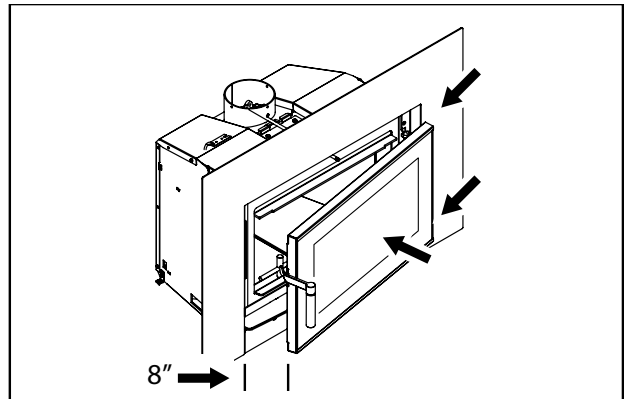
It is very important to maintain your fireplace stove, burning seasoned wood and maintaining a clean stove and chimney system. Have the chimney cleaned before the burning season and as necessary during the season, as creosote deposits may build up rapidly. Moving parts of your stove require no lubrication.

Door Installation

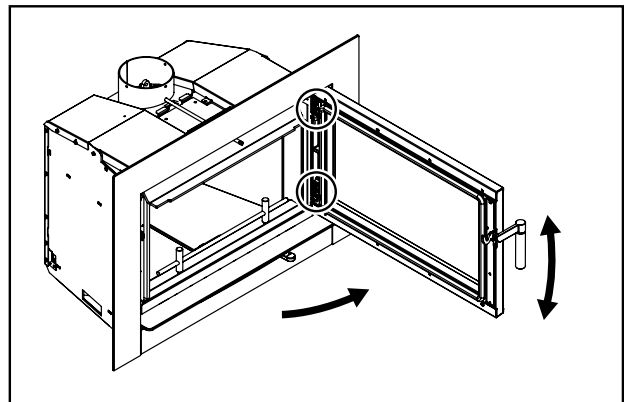
Follow the steps below for door installation.

CAUTION: Door is very heavy

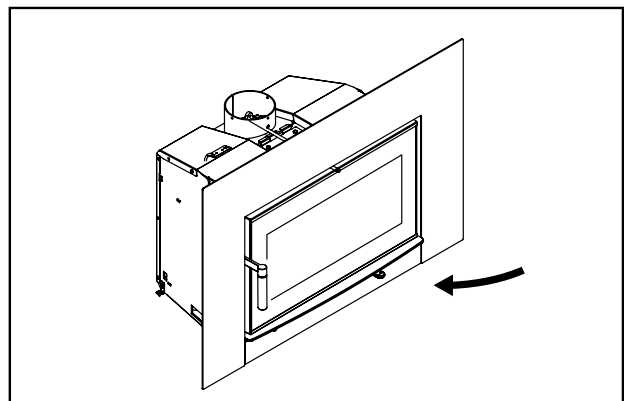
1. Hold the door from the inside top left and outside bottom right edges. Position the door in front of the firebox as if it were slightly open, with the pins positioned higher than the tabs on the receiving bracket. Maintain a small gap between the top of the door and the inside of the faceplate. Protect this edge with tape to prevent any damage to the door or faceplate edges.
2. Position the door 8" open, move inward, keep the vertical edge parallel to the opening, and rest the hinge pins onto the hinge tabs on the unit.



3. Slowly rotate the door out wider, align hinges over the pins and lower the pins into the hinge tabs. Rocking the door can help align the pins.



4. Close the door slowly, ensuring the pins are located properly.



Annual Maintenance	
Completely clean out entire unit	Annually
Inspect air tubes, baffles and bricks	Replace any damaged parts.
Adjust door catch / latch	If unable to obtain a tight seal on the door - replace door gasket seal. Readjust latch after new gasket installed.
Inspect condition and seal of: Glass Gasket Door Gasket Bypass Door Gasket	Perform paper test - replace gasket if required
Paper Test	Test the seal on the loading door and bypass door with a paper bill. Place a paper bill in the gasketed area of the door on a cold stove—close the door. Try to remove the paper by pulling. The paper should not pull out easily; if it does, try adjusting the door latch (loading door only). If that doesn't solve the problem, replace the door gasket, bypass gasket, or both.
Check and lubricate door hinge + latch	Use only high temperature anti seize lube. (ie. never seize)
Check glass for cracks	Replace if required.
Clean blower motor	Disconnect power supply. Remove and clean blower. *DO NOT LUBRICATE*
Inspect and clean chimney	Annual professional chimney cleaning recommended.
Thermostat Probe	The thermostat probe that is inserted into the opening above the insert must be cleaned at least once a year. Use 220 sand paper to clean probe. Access to the probe can be done in 2 ways. - by removing the catalyst as this will be exposed once the catalyst is removed. - by removing the faceplate. However, there must be clearance above the insert to be able to remove the probe from the top of the insert. See specific details in this manual.

NOTE: Chimney Cleaning

When cleaning the chimney system, the catalytic combustor should be removed so this can also be cleaned at the same time following the guide lines found in this manual.

The bypass should be moved all the way outward so any creosote will fall onto the firebox floor when being cleaned.

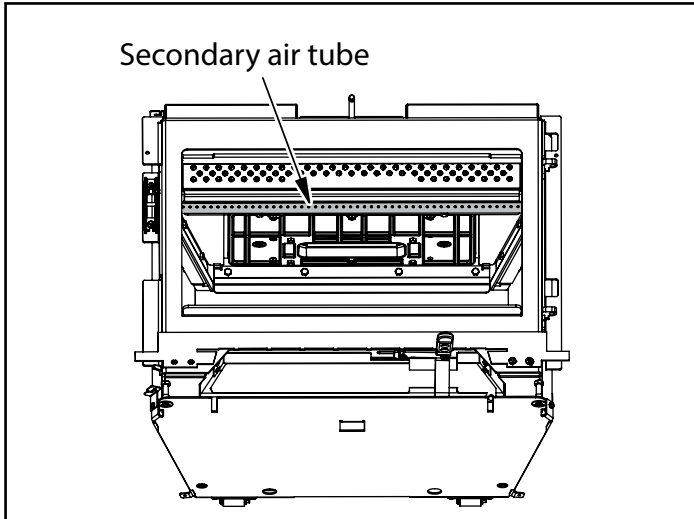
We highly recommend that the chimney cleaning be done by a professional as they will have the necessary tools such as a proper sized brush and special vacuum cleaner designed to deal with fine particles.

IMPORTANT:

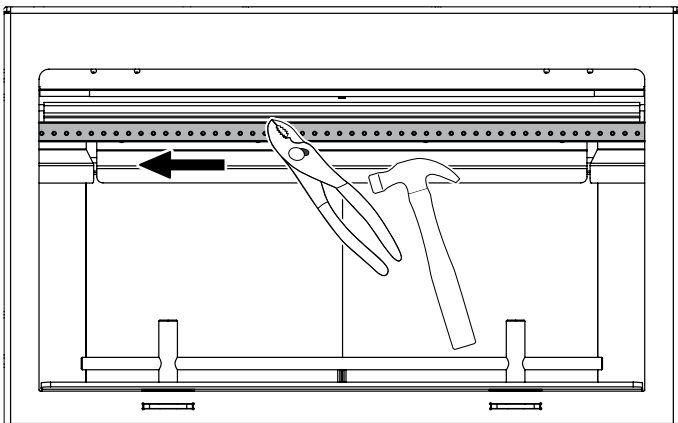
Before attempting to loosen or remove any screw, bolt from the interior of a wood stove, insert or factory built fireplace that has had a fire burned in it, we highly recommend to liberally spray the screw/bolt with a good-quality penetrating oil, one that does not have flammable properties contained within the penetrating oil being used. Allow it to set, then tap or vibrate the screw or bolt to help loosen it before attempting to remove it. For best results, follow the instructions that are provided with the penetrating oil.

Secondary Air Tube Removal / Installation

1. Allow the stove to burn out and cool down, until cool to touch.
2. Open stove door to access secondary air tube.



3. Grasp secondary air tube firmly with vise grips, using a hammer tap vise grips from right to left until air tube is released from grip.



4. To reinstall or replace, first slide left side of tube into hole on left side air channel. Align tab on right side air channel with notch on right hand end of air tube. Firmly grip center of air tube with vise grips, use hammer to tap vise grips from left to right until the tube bottoms out into the air channel on right.

NOTE If air tube is locked into place correctly there should be slight movement when moving the air tube back and forth.

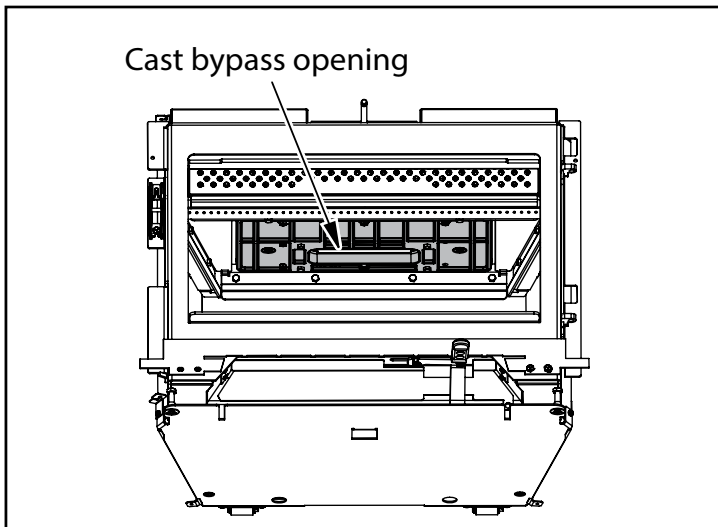
Cast Bypass Top Plate Removal / Installation

IMPORTANT:

Only remove the top cast bypass top plate if it is damaged/cracked. **DO NOT** remove for any other reason. Servicing of the appliance can be completed without having to remove this cast bypass top plate.

Before attempting to loosen or remove any screw, bolt from the interior of a wood stove, insert or factory built fireplace that has had a fire burned in it, we highly recommend to liberally spray the screw/bolt with a good-quality penetrating oil, one that does not have flammable properties contained within the penetrating oil being used. Allow it to set, then tap or vibrate the screw or bolt to help loosen it before attempting to remove it. For best results, follow the instructions that are provided with the penetrating oil.

1. Allow the stove to burn out and cool down, until cool to touch.
2. Open stove door to access secondary air tube.
3. Remove secondary air tube—(see previous page).
4. 8 bolts secure the cast bypass top plate to the roof of the stove.
Before removing the bolts securing the cast bypass - support the cast up with 2 X 12-1/4" 2 x 4 's. The cast bypass opening weighs 30lbs - **DO NOT REMOVE** the bolts on the cast bypass prior to supporting the weight to avoid damage and injury.



View of inside top of stove

5. Remove the cast bypass opening top plate and replace.
6. Reverse steps to reinstall.

Fan Operation Into Auto Mode

If fan will not come on in auto mode see the following possible causes and solutions:

Possible causes:

- Bypass damper is open
- Brand new unit or first burn of the season
- No ember bed established (embers or coals, not to be mistaken with ashes)
- Primary damper is set to low (all the way to the left)
- There are only a couple small logs on fire or fire is almost out
- Mechanical issues or defects

Solutions:

- Close bypass once unit is at optimum temperature
- Establish a two inch ember bed
- Set damper between medium to high (middle or all the way to the right)
- Add a few more logs onto the fire
- See your authorized dealer

NOTE: The temperature displayed on the catalyst monitor has nothing to do with the activation temperature in auto for the fan.

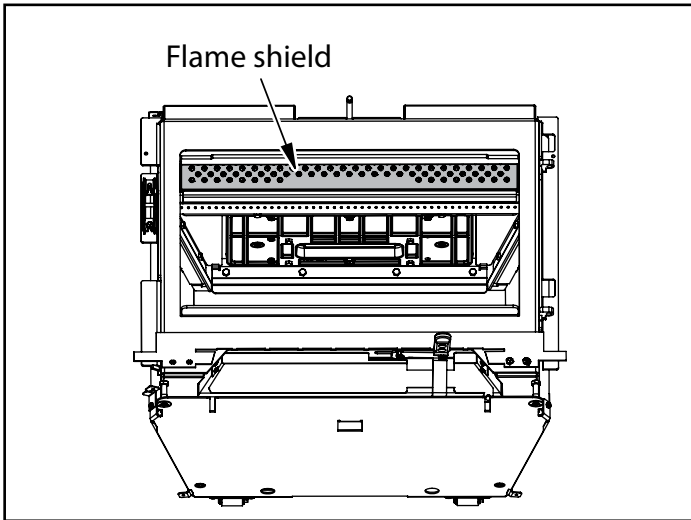
The automatic sensor for this appliance is located at the firebox base. If the temperature at this location is not met, the fan will not come on. It is crucial on this appliance to get this up to operating temperature so that the catalyst is activated and bypass may be closed to retain heat within the firebox.

Sweeping the Flue From the Top Down

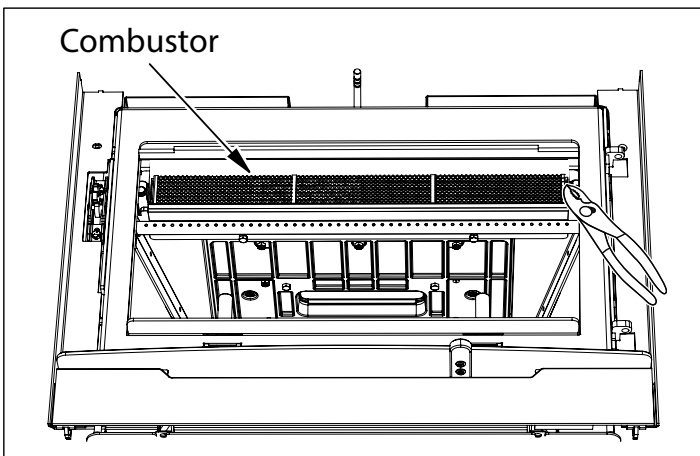
Note: The chimney system on this appliance cannot be cleaned from below.

IMPORTANT: It is imperative that the area around the exterior of the fireplace insert is protected with blankets, drop clothes to prevent any creosote, ash from falling on the finished floor.

1. Remove the combustor flame shield.

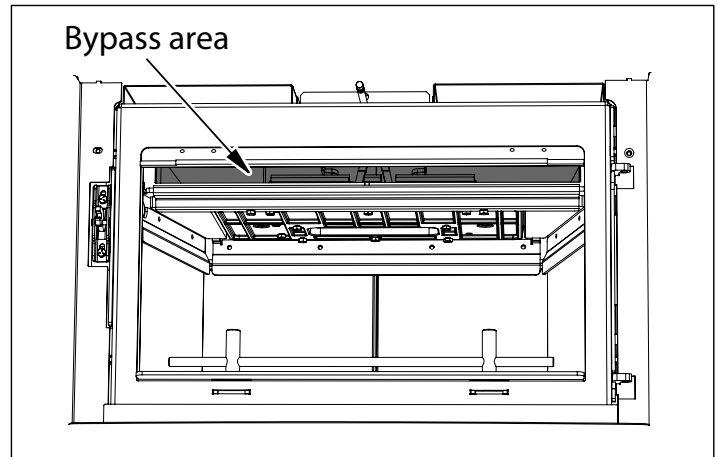


2. Remove the catalyst combustor.



Combustor - remove with pliers tilt down and forward to ease removal.

4. Close the door of the insert and open the bypass rod fully and sweep the flue from the top of the chimney down into the bypass area.
5. After allowing the debris to settle slowly open the door to prevent spillage. Using an ash vacuum and extensions clean the area behind the catalyst combustor and bypass area.



6. Check that the bypass is moving freely after cleaning the area. Do additional cleaning and make adjustments as needed.
7. Reverse steps 1-2 to reinstall the combustor and combustor flame shield.

Door Gasket

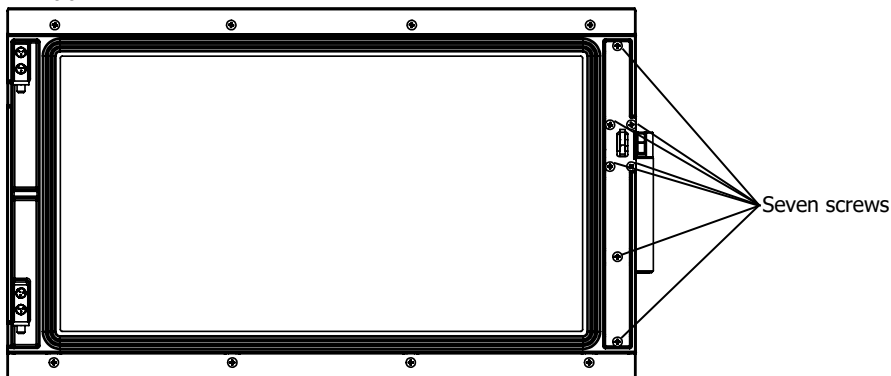
If the door gasket requires replacement, 7/8" diameter material must be used. A high temperature gasket adhesive is required. A gasket repair kit, (part #846-570) is available from your local dealer.

Glass Cleaning

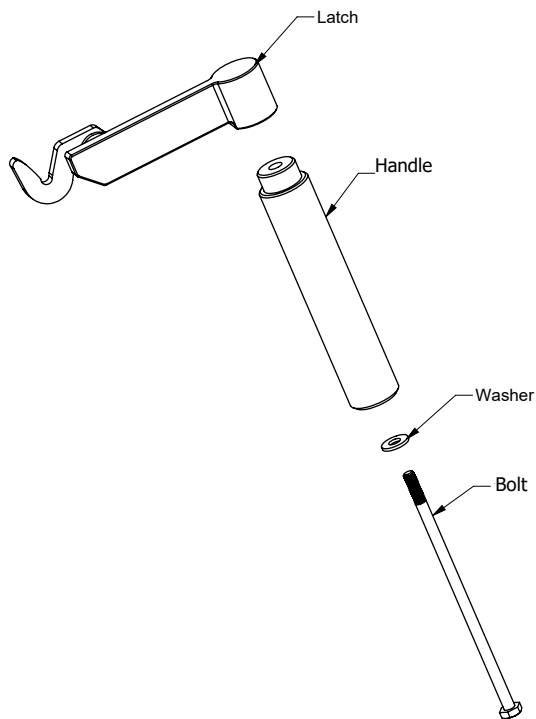
Clean your glass window when it is cool. Your local retailer can supply you with special glass cleaner if plain water and a soft cloth does not remove all deposits.

Handle Replacement

1. Remove the seven screws on the right side of the door; the panel should lift off.



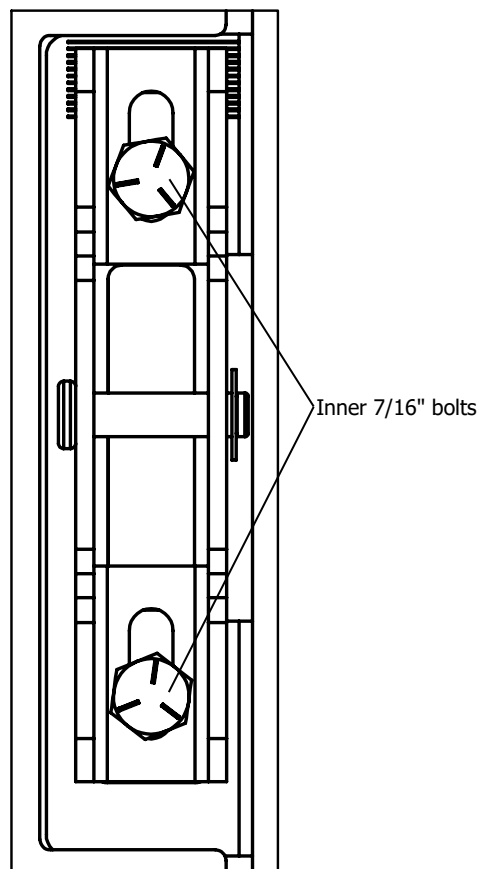
2. Place the new door handle in position and reattach the panel using the seven screws that were removed.
3. The handle can be removed by undoing the bolt at the bottom.



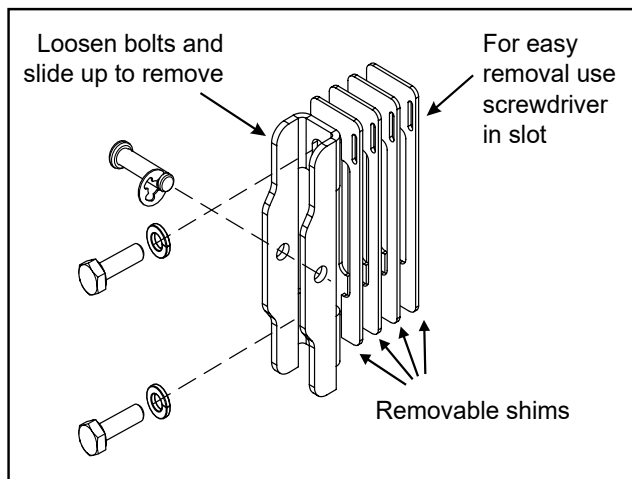
Door Latch Maintenance

The door latch or door alignment may require adjustment as the door gasket material compresses after a few fires. Removal of spacers will move the latch closer to the door frame, creating a tighter seal and the ability to raise or lower the latch assembly.

1. Raise or lower the latch by loosening the inner two 7/16" bolts. Adjust to the desired location and retighten the bolts. Make sure the door catch closes freely and makes a good seal. Do a paper test to confirm the seal.

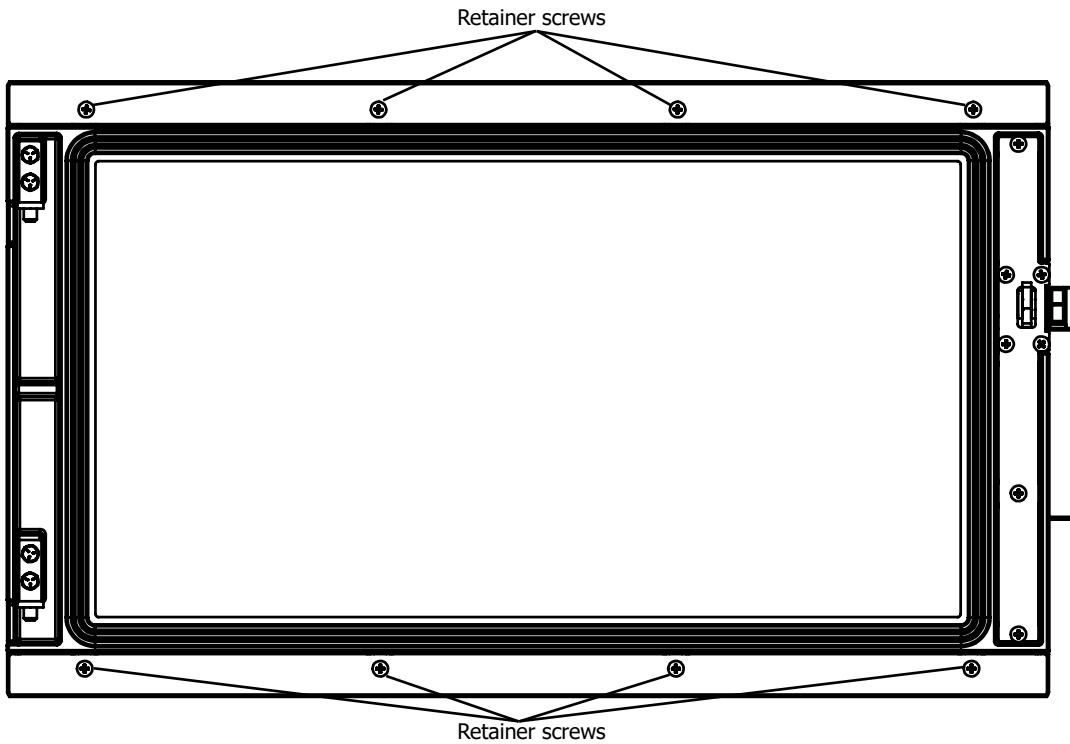


2. To remove a shim, loosen the two bolts and remove the door catch by sliding up. Place a screwdriver in the slot of the shim and slide out. Reinstall door catch and retighten the bolts.

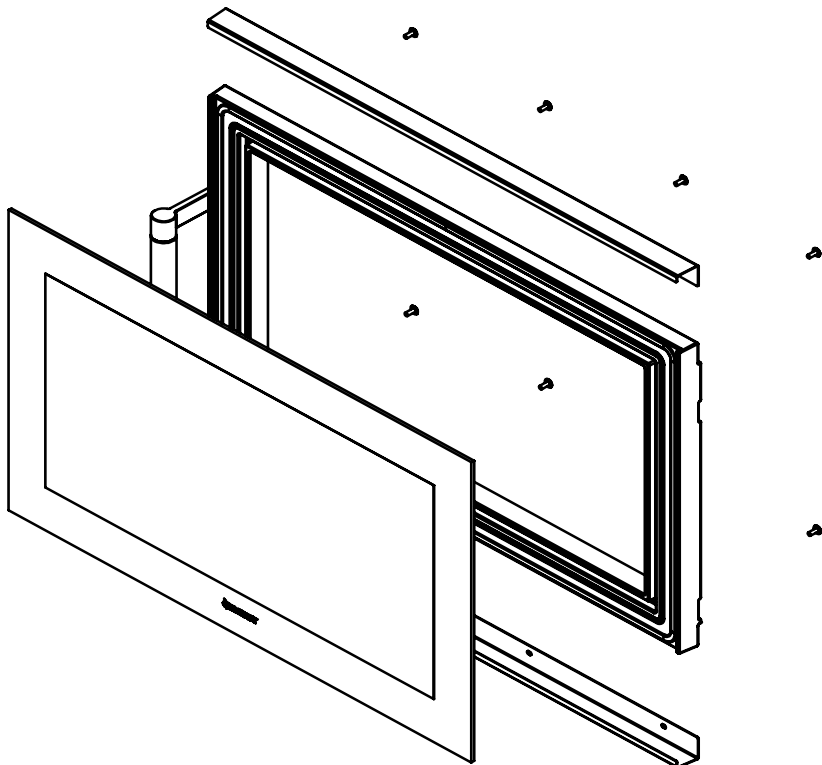


Glass Removal

1. To remove the glass, remove the eight retainer screws (4 top & 4 bottom) and slide the retainers off.

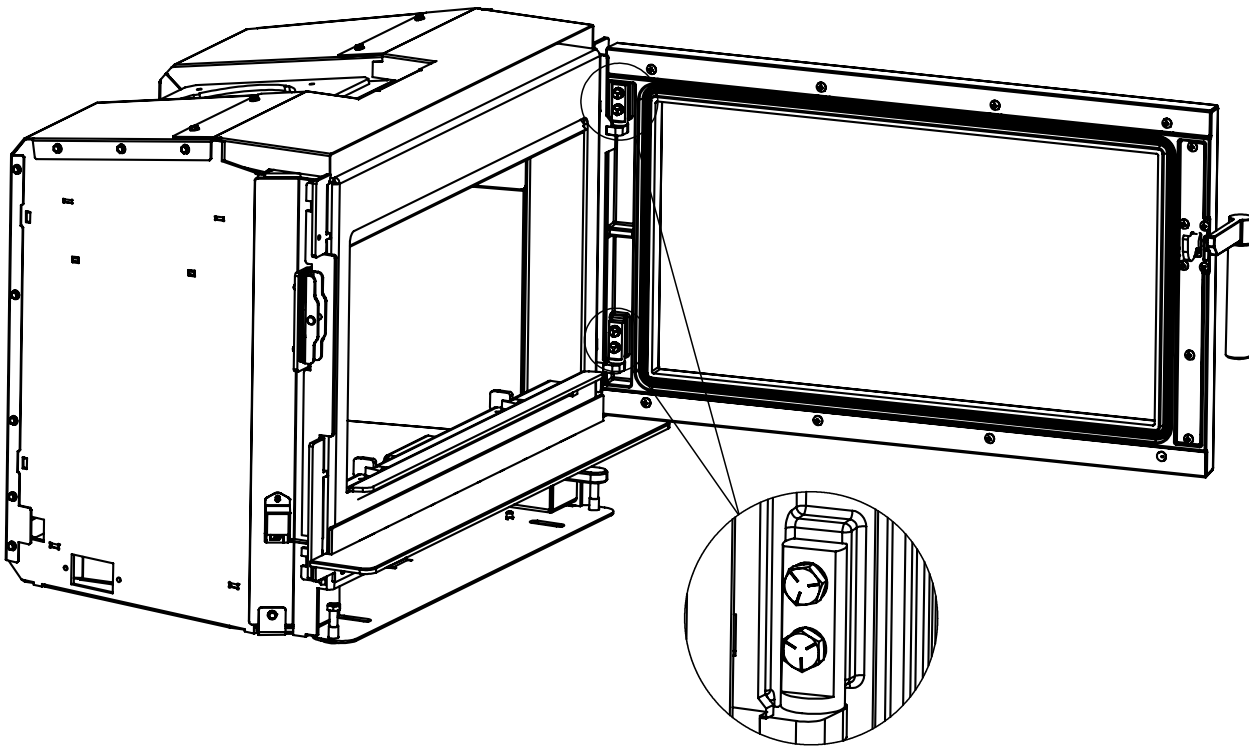


2. Carefully lift the door up and remove the glass.
3. Place the new piece of glass under the door.
4. Carefully slide the glass retainers back onto the door.
5. Re-install the eight retainer screws removed in step 1.



Door Adjustment

The door can be adjusted by loosening the four 7/16" screws (shown in the image below).

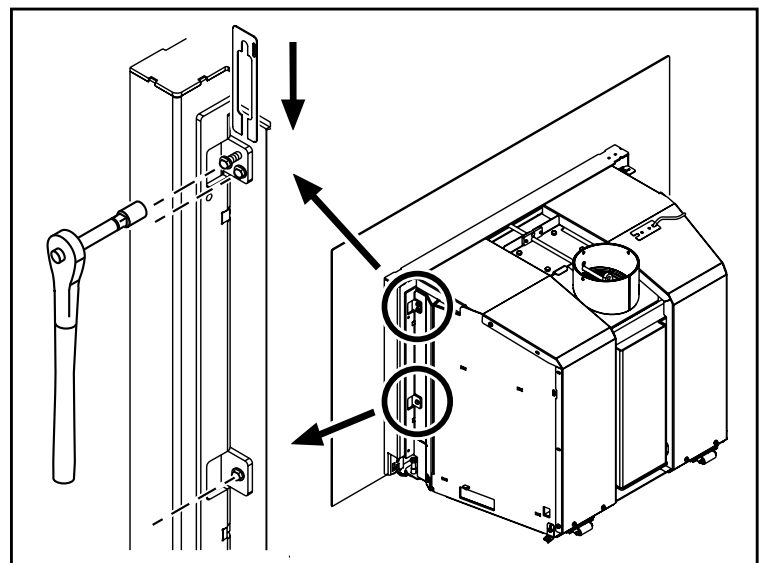


1. Lift the door upwards and tighten the bolts to raise the door.
2. Push the door downwards and tighten the bolts to lower the door.

Door Adjustment - Angle

To make fine adjustments to the door angle, follow the steps below:

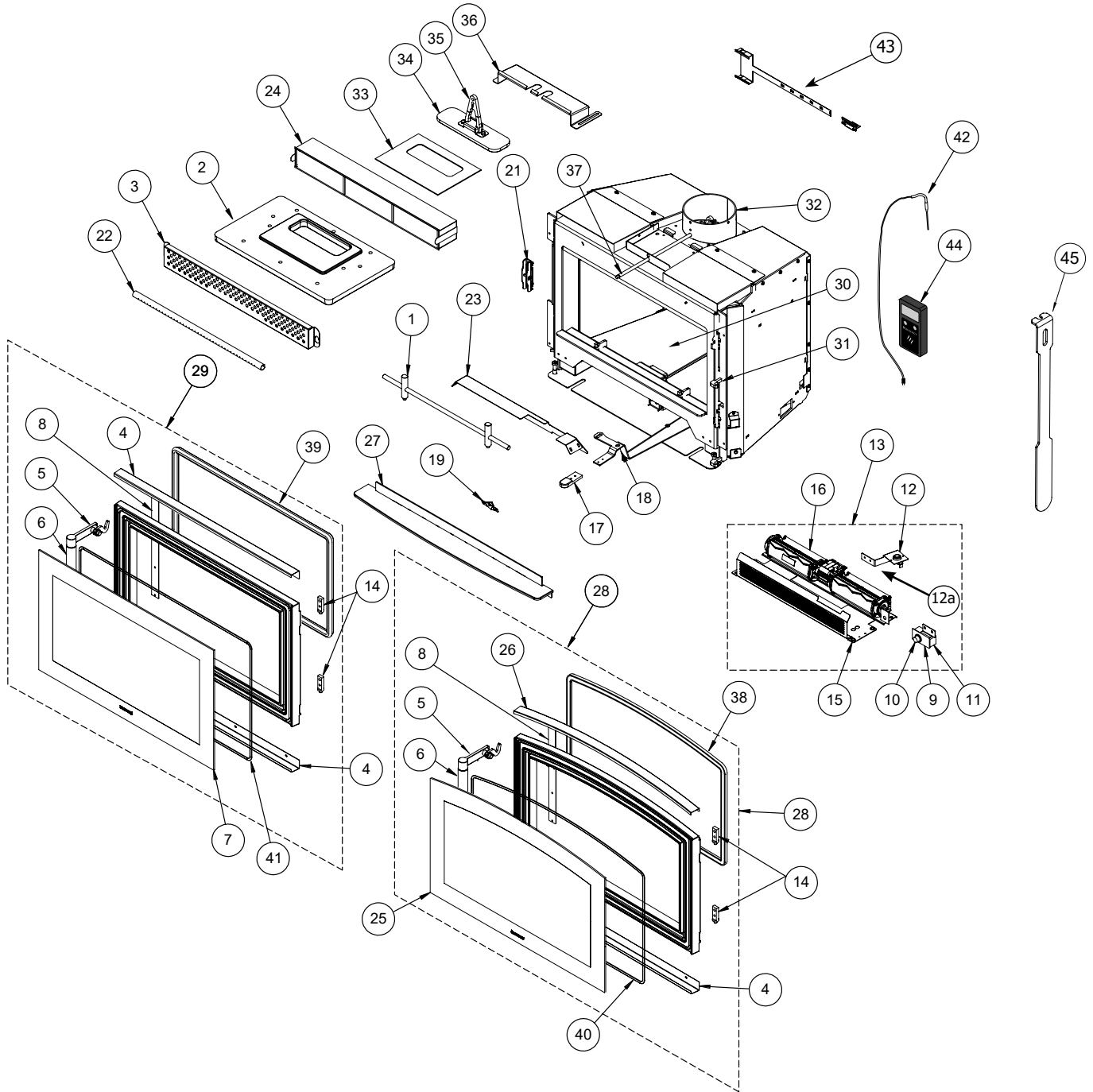
1. Open the door.
2. Loosen the two hinge bolts with a 7/16" wrench.
3. Tighten the upper adjustment bolt 1/2 turn to raise the left side of the door.
4. Close the door and check the door angle.
5. Repeat steps 3-4 until the desired angle is obtained.
6. Adjust latch height (see Latch Maintenance section)
7. Install shim(s) as required and re-tighten hinge bolts that were loosened in step 2.



Main Assembly & Options - i3000A/i3000R

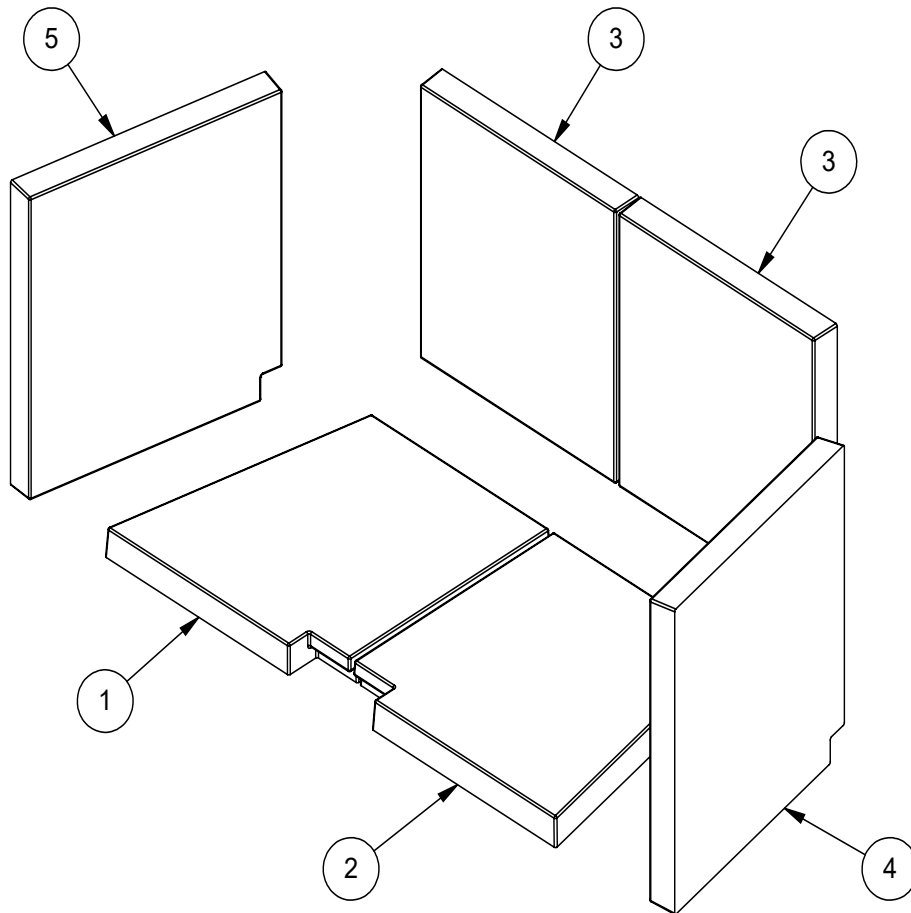
ITEM	PART #	DESCRIPTION
1	166-558	Andiron Assembly
2	106-351	Cast Horizontal Baffle
3	166-163	Flame Shield
4	166-077	Rectangular Door Retainer
5	166-518	Door Latch Assembly (Does not include handle)
6	166-385	Door Handle
7	940-528/P	Rectangular Door Glass
8	166-219	Latch Cover Plate
N/S	166-220F	Latch Cover Plate Reinforcement
9	166-060	Fan Speed Controller Mounting Bracket
10	904-586	Fan Control Knob
11	910-330	Fan Speed Controller
12	910-142	Fan Thermodisc (110°F)
12a	166-136	Fan Thermodisc Bracket
13	166-917	Fan Assembly (Complete Kit)
14	948-183	Hinge Pin (Each)
15	166-034	Fan Shield
16	911-334/P	Replacement Fan Motor
17	166-392	Draft Handle
18	166-292	Lever Draft Arm
19	166-087	Obround 4 Pilot
21	166-522	Door Catch Assembly
22	166-953	Secondary Air Large Tube
23	166-071	Fan Heat Shield
24	166-543	Catalyst Combustor Assy Metal 50 Cell
25	940-529/P	Arched Door Glass
26	166-266	Arched Retainer
27	166-532/P	Ash Lip

28	166-519	Arched Door Assembly
29	166-520	Rectangular Door Assembly
30	166-085	Firebox Floor - Lytherm Sheet
N/S	166-038	Right Brick Retainer
N/S	166-036	Left Brick Retainer
N/S	166-037	Rear Brick Retainer
31	166-291	Door Hinge Bracket
32	166-512	Flue Collar Assembly (i3000R)
32	166-564	Flue Collar Assembly (i3000A)
33	106-018	Bypass Gasket
34	166-098F	Bypass Slide
35	166-092	Bypass Threaded Fork Connector
36	106-060	Bypass Flame Shield
37	166-372	Bypass Rod
38	846-570	Arched Door Gasket Kit
39	846-570	Rectangular Door Gasket Kit
40	846-686	Arched Glass Gasket
41	846-686	Rectangular Glass Gasket
42	911-186	Catalyst Temperature Monitor Probe
43	166-190 166-192	Accessory Holder Slide Accessory Bracket
44	911-185	Digital Catalyst Temperature Monitor
45	166-396-SBK	Bypass Tool
N/S	166-180	Andiron Holder (Each)
N/S	166-146F	Door Catch Shims (4 per Unit) (Each)
N/S	166-160	Baffle Edge Guard
N/S	920-383	Fan Control Decal
N/S	911-422-ASM	120 Volt Power Cord
N/S	905-104	Wooden Handle Bolt (Screw Socket Head 1/4"- 20 x 5" Long Black Oxide)



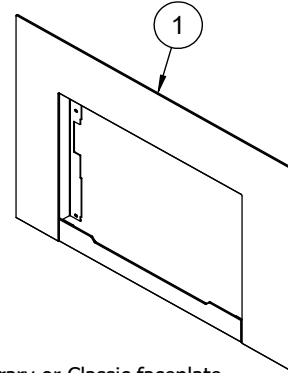
Brick Panels (Part #166-960)

ITEM	PART #	DESCRIPTION
1	166-301/P	Bottom Left Refractory Brick
2	166-302/P	Bottom Right Refractory Brick
3	166-303/P	Rear Refractory Brick (Each)
4	166-304/P	Right Refractory Brick
5	166-305/P	Left Refractory Brick

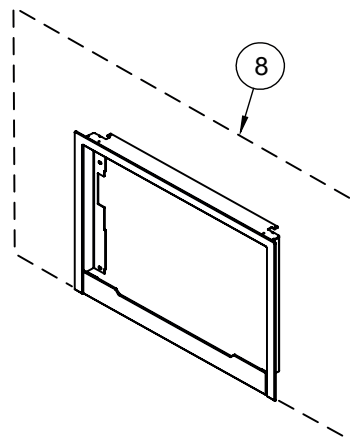
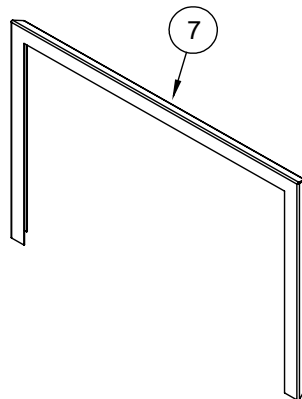
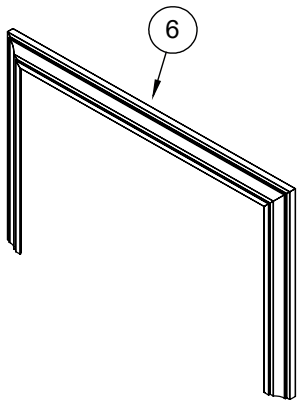
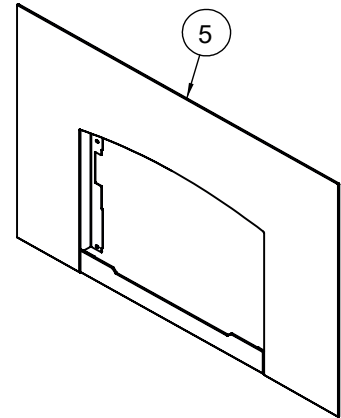
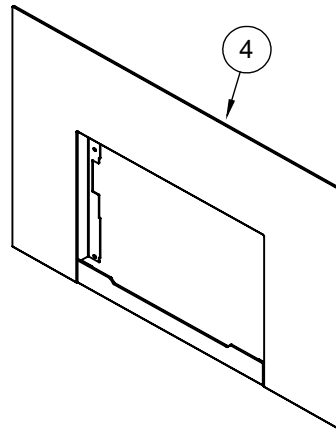
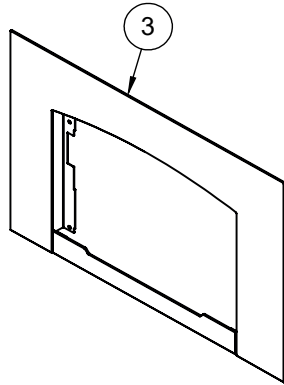
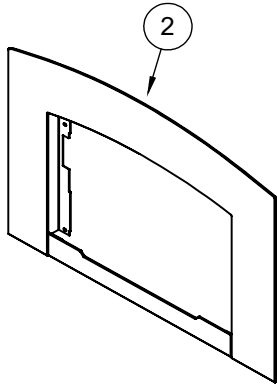


Faceplates and Surrounds

ITEM	PART #	DESCRIPTION
1	166-910	Faceplate - Contemporary
2	166-914	Faceplate - Arched
3*	166-912	Faceplate - Classic
4	166-911	Faceplate - Oversize Contemporary
5	166-913	Faceplate - Oversize Classic
6*	391-927 391-928	Traditional Extruded Surround - Black Traditional Extruded Surround - Brushed Antique Copper
7	391-920 391-921 391-922 391-923 391-924	Premium Faceplate Surround - Black Premium Faceplate Surround - Grey Premium Faceplate Surround - White Premium Faceplate Surround - Sunset Bronze Premium Faceplate Surround - Brushed Nickel
8	166-937	Faceplate - 3 Sided Custom



*Note: The traditional extruded surround and premium faceplate surround will only fit on the Contemporary or Classic faceplate.



Indoor Wood Product Warranty

Limited Lifetime Warranty

FPI Fireplace Products International Ltd. (for Canadian customers) and Fireplace Products U S, Inc. (for US customers) (collectively referred to herein as "FPI") extends this Limited Lifetime Warranty to the original purchaser of this Appliance provided the product remains in the original place of installation. The items covered by this Limited Lifetime Warranty and the period of such coverage are set forth in the table below.

An Appliance in this policy is defined as an Indoor wood insert or Indoor wood freestanding stove.

This Appliance has only been certified and listed for use indoors.

Note: This Wood Product Warranty does not apply to the Ri50 & CF780 models. See Ri50/CF780 policy for specific warranty details.

This Limited Lifetime Warranty starts on the day the Appliance was purchased.

The Limited Lifetime Warranty is not transferable, amendable or negotiable under any circumstances.

Indoor Wood Products	Component Coverage					Subsidized Labor Coverage*** (Years)
	Limited Lifetime	5 years	2 years	1 year	Warranty	
Components Covered						
Welded Firebox Steel	✓					5
All Stainless Steel Components, Smoke Deflectors, Heat Shields etc.	✓					3
Air Tubes	✓					3
Airmate	✓					3
Door handle and latch assembly, all hardware	✓					3
Glass Thermal Breakage Only	✓					3
Steel Faceplates, Accessory Housings	✓					3
All Plating	✓					3
Ash Drawer, Heatshields, Pedestal	✓					0
All Baffles, Steel, Ceramic, Vermiculite C-Baffles	✓					0
All castings, firebox, surrounds, doors, panels etc.		✓				3
All Electrical, Blower, wiring, switches, Catalytic Monitors, Probes, etc.			✓			2
Glass - Cracking				✓		1
Catalyst Combustor					**10 Years Prorated	0
Venting/Chimney				✓		1
Screens				✓		1

**See specific warranty details regarding the catalyst combustor in this manual.

Note: Warranty coverage noted above may not be applicable as components/options vary based on appliance purchased.

Conditions:

Warranty protects against defect in manufacture or FPI factory-assembled components only, unless herein specified otherwise.

*****This warranty does not cover dealer travel costs, mileage, fuel, tolls for diagnostic or service work. All labor rates paid to authorized dealers are subsidized, pre-determined rates. Dealers may charge you for travel and additional time beyond their subsidy.**

Any part(s) found to be defective during the warranty period as outlined above will be repaired or replaced at FPI's option through an accredited distributor, dealer or pre-approved and assigned agent provided that the defective part is returned to the distributor, dealer or agent for inspection if requested by FPI. Alternatively, FPI may, at its own discretion, fully discharge all of its obligations under warranty by refunding the verified purchase price of the product to the original purchaser. The purchase price must be confirmed by the original Bill of Sale.

The authorized selling dealer, or an alternative authorized FPI dealer if pre-approved by FPI, is responsible for all in-field diagnosis and service work related to all warranty claims. FPI is not responsible for results or costs of workmanship of unauthorized FPI dealers or agents in the negligence of their service work.

At all times, FPI reserves the right to inspect reported in the field/on location complaints of products claimed to be defective before processing or authorizing any claim. Failure to allow this upon request will void the warranty.

All warranty claims must be submitted by the dealer servicing the claim, including a copy of the Bill of Sale (proof of purchase by you). All claims must be complete and provide full details as requested by FPI to receive consideration for evaluation. **Incomplete claims may be rejected.**

Replacement Appliances to the original purchaser are limited to one per warranty term. Air tube and baffle replacements are limited to one replacement per warranty term.

The Appliance must be installed according to all manufacturers' instructions as per the manual. All Local and National required codes must be met.

The installer is responsible for ensuring the Appliance is operating as designed at the time of installation.

The original purchaser is responsible for the annual maintenance of the Appliance, as outlined in the owner's manual. As outlined below, the warranty may be voided due to problems caused by a lack of maintenance.

Purchased parts: Repair/replacement parts purchased by the consumer from FPI after the original coverage has expired on the Appliance will carry a **90-day** warranty from the purchase date, valid with a receipt only. Any item shown to be defective will be repaired or replaced at our discretion. No labor coverage is included with these parts.

If freight damage has been found either externally or internally, the dealer must be informed within 3 days. All claims as a result of damage must be submitted by the dealer servicing the claim, including a copy of the Bill of Sale (proof of purchase). All claims must be complete and provide full details as requested by FPI to receive consideration for evaluation. **Incomplete claims may be rejected.**

As this is a Limited Lifetime Warranty, if the Appliance needs to be replaced, the Appliance that was purchased at the time of sale might not be replaced with exactly the same model Appliance. In that case, FPI will replace your Appliance with one that is similar at the time of replacement under the terms of this Limited Lifetime Warranty, but **ONLY** in the event that an item covered by the Limited Lifetime Warranty is found to be defective. Please refer to the table on first page of this warranty for items covered by the Limited Lifetime Warranty. Product changes might be the result of the original Appliance being discontinued, changes in regulatory requirements, product advancements, etc., which are beyond the control of FPI. **This Limited Lifetime Warranty does not cover any installation costs, or costs associated with changes of required clearances for the replacement Appliance, hearth pads, mantles, facing and/or facing materials such as framing, completed walls made of drywall, wood, non-combustible board, tile, brick, stone, marble etc., venting/chimney systems, or components of the chimney system.**

If a suitable replacement is not available, FPI will refund **50%** of the purchase price of the Appliance and any applicable FPI accessories (faceplates, brick panels, media, etc.) purchased at the time of sale. **In no event will FPI refund any portion of the purchase price of, or reimburse costs associated with, any other items, including without limitation, installation of a new unit, changes of required clearances for a new unit, hearth pads, mantles, facing and/or facing materials such as framing, completed walls made of drywall, wood, non-combustible board, tile, brick, stone, marble etc., venting/chimney systems, or components of the chimney system. A copy of the receipt or bill of sale will be necessary to validate the purchase price.**

Exclusions:

This Limited Lifetime Warranty does not extend to paint, rust or corrosion of any kind due to a lack of maintenance or improper venting, combustion air provision, corrosive chemicals (i.e. chlorine, salt, air, etc.), firebrick (rear, sides or bottom), door or glass gasketing, vermiculite floor bricks, and iron assemblies/flue damper rod or any other additional factory fitted gasketing, batteries.

Malfunction, damage or performance-based issues as a result of environmental conditions, location, chemical damages, downdrafts, installation error, an installation by an unqualified installer, incorrect chimney components (including but not limited to cap size or type), operator error, abuse, misuse, use of improper fuels (such as unseasoned cordwood, mill-ends, construction lumber or debris, off-cuts, treated or painted lumber, metal or foil, plastics, garbage, solvents, cardboard, coal or coal products, oil-based products, waxed cartons, compressed pre-manufactured logs, kiln dried wood), lack of regular maintenance and upkeep, acts of God, weather-related problems from hurricanes, tornados, earthquakes, floods, lightning strikes/bolts or acts of terrorism or war, which result in a malfunction of the Appliance are not covered under the terms of this Limited Lifetime Warranty.

48 | warranty

FPI has no obligation to enhance or modify any Appliance once manufactured (i.e. as products evolve, field modifications or upgrades will not be performed on existing Appliances).

Any Appliance showing signs of neglect or misuse will not be covered under the terms of this warranty policy and may void this warranty, including Appliances with rusted or corroded fireboxes that have not been reported as rusted or corroded within **three (3)** months of installation/purchase.

Appliances which show evidence of being operated while damaged, or with problems known to the purchaser and causing further damages will void this warranty.

Appliances where the serial no. has been altered, deleted, removed or made illegible will void this warranty.

Minor movement, expansion and contraction of the steel is normal and is not covered under the terms of this warranty.

Freight damages for products or parts are not covered under the terms of the warranty.

Products made or provided by other manufacturers and used in conjunction with the FPI Appliance without prior authorization from FPI may void this warranty.

Limitations of Liability:

The original purchaser's exclusive remedy under this warranty, and FPI's sole obligation under this Limited Lifetime Warranty, express or implied, in contract or in tort, shall be limited to replacement, repair, or refund, as outlined above. IN NO EVENT WILL FPI BE LIABLE UNDER THIS WARRANTY FOR ANY INCIDENTAL OR CONSEQUENTIAL COMMERCIAL DAMAGES OR DAMAGES TO PROPERTY. TO THE EXTENT PERMITTED BY APPLICABLE LAW, FPI MAKES NO EXPRESS WARRANTIES OTHER THAN THE WARRANTY SPECIFIED HEREIN. THE DURATION OF ANY IMPLIED WARRANTY IS LIMITED TO DURATION OF THE EXPRESSED WARRANTY SPECIFIED ABOVE. IF IMPLIED WARRANTIES CANNOT BE DISCLAIMED, THEN SUCH WARRANTIES ARE LIMITED IN DURATION TO THE DURATION OF THIS WARRANTY.

Some US states do not allow limitations on how long an implied warranty lasts, or allow exclusion or limitation of incidental or consequential damages, so the above limitations or exclusions may not apply to you.

Customers located outside the US should consult their local, provincial or national legal codes for additional terms, which may be applicable to this warranty.

How to Obtain Warranty Service:

Customers should contact the authorized selling dealer to obtain warranty service. In the event the authorized selling dealer is unable to provide warranty service, please contact FPI by mail at the address listed below. Please include a brief description of the problem and your address, email and telephone contact information. A representative will contact you to make arrangements for an inspection and/or warranty service.

Canadian Warrantor:

FPI Fireplace Products International Ltd.
6988 Venture St.
Delta, British
Columbia Canada,
V4G 1H4

US Warrantor:

Fireplace Products U.S., Inc.
PO Box 2189 PMB 125
Blaine, WA
United States, 98231

Or contact the Regency Customer Care Centre at 1-800-442-7432 (phone) /604-946-4349 (fax) /customerservice@regency-fire.com (e-mail)

Product Registration and Customer Support:

Thank you for choosing a Regency Fireplace. Regency strives to be a world leader in the design, manufacture, and marketing of hearth products. To provide the best support for your product, we request that you complete a product registration form at <http://www.regency-fire.com/Customer-Care/Warranty-Registration.aspx> within **ninety (90)** days of purchase.

Warranty Registration Card



Product Registration and Customer Support:

Thank you for choosing a Regency Fireplace. Regency strives to be a world leader in the design, manufacture, and marketing of hearth products. To provide the best support for your product, we request that you complete a product registration form found on our Web Site under Customer Care within ninety (90) days of purchase.

For purchases made in **CANADA or the UNITED STATES:**

<http://www.regency-fire.com/Customer-Care/Warranty-Registration.aspx>

For purchases made in AUSTRALIA:

<http://www.regency-fire.com.au/Customer-Care/Warranty-Registration.aspx>

You may also complete the warranty registration form below to register your Regency Fireplace Product and mail and/or fax it back to us, and we will register the warranty for you. It is important you provide us with all the information below in order for us to serve you better.

Warranty Registration Form (or Register online immediately at the above Web Site):

Warranty Details	
Serial Number (required):	
Purchase Date (required) (mm/dd/yyyy):	
Product Details	
Product Model (required):	
Dealer Details	
Dealer Name (required):	
Dealer Address:	
Dealer Phone #:	
Installer:	
Date Installed (mm/dd/yyyy):	
Your Contact Details (required)	
Name:	
Address:	
Phone:	
Email:	

For purchases made in CANADA:

FPI Fireplace Products International Ltd.
6988 Venture St.
Delta, British Columbia
Canada, V4G 1H4

Phone: 604-946-5155
Fax: 1-866-393-2806

For purchases made in the UNITED STATES:

Fireplace Products US, Inc.
PO Box 2189 PMB 125
Blaine, WA
United States, 98231

Phone: 604-946-5155
Fax: 1-866-393-2806

For purchases made in AUSTRALIA:

Fireplace Products Australia Pty Ltd
99 Colemans Road
Dandenong South, Vic.
Australia, 3175

Phone: +61 3 9799 7277
Fax: +61 3 9799 7822

For fireplace care and tips and answers to most common questions please visit our Customer Care section on our Web Site. Please feel free to contact your selling dealer if you have any questions about your Regency product.

PRODUCT LIFE CYCLE:

By recycling your used appliances, you divert waste from your local landfills and help the environment. You also reduce the need for raw materials to manufacture new products. Contact your local municipality for appliance recycling services, local recycling programs, or appliance removal services to ensure your Regency appliance components, and packaging are properly recycled.

Installer: Please complete the following information

Dealer Name & Address: _____

Installer: _____

Phone #: _____

Date Installed: _____

Serial #: _____