



## Cascades™ Series Freestanding Woodstove

Owners &  
Installation Manual



French Manual Download: <https://bit.ly/3sXQtLI>  
Manuel en Français : <https://bit.ly/3sXQtLI>

[www.regency-fire.com](http://www.regency-fire.com)

**MODEL: F2500-1**

Tested by:



0219WS029S

**Installer:** Please complete the details on the back cover  
and leave this manual with the homeowner.  
**Homeowner:** Please keep these instructions for future reference.

Thank-you for purchasing a  
**REGENCY FIREPLACE PRODUCT.**

The pride of workmanship that goes into each of our products will give you years of trouble-free enjoyment. Should you have any questions about your product that are not covered in this manual, please contact the **REGENCY DEALER** in your area.

**"This wood heater has a manufacturer set minimum low burn rate that must not be altered. It is against federal regulations to alter this setting or otherwise operate this wood heater in a manner inconsistent with operating instructions in this manual." Failure to follow the manual details can lead to smoke and CO emissions spilling into the home. It is recommended to have monitors in areas that are expected to generate CO such as heater fueling areas.**

**"U.S. ENVIRONMENTAL PROTECTION AGENCY Certified to comply with 2020 particulate emission standards using crib wood." Tested to Method 28R, E2780 - 10, E2515 - 11. Model Regency F2500-1 - 1,4 g/hr.**

"This manual describes the installation and operation of the Regency F2500-1 catalytic equipped wood heater. This heater meets the 2020 U.S. Environmental Protection Agency's crib wood emission limits for wood heaters. Under specific test conditions this heater has been shown to deliver heat at rates ranging from 13,580 BTU/hr. to 29,795 BTU/hr." Efficiency is determined using the B415 method resulting in lower and higher heat values. This heater generates the best efficiency when operated using well-seasoned wood and installed in the main living areas where the majority of the chimney is within the building envelope. "This wood heater contains a catalytic combustor, which needs periodic inspection and replacement for proper operation.

It is against federal regulation to operate this wood heater in a manner inconsistent with operating instructions in this manual, or if the catalytic element is deactivated or removed."

CAUTION: BURN UNTREATED WOOD ONLY. OTHER MATERIALS SUCH AS WOOD PRESERVATIVES, METAL FOILS, COAL, PLASTIC, GARBAGE, SULPHUR OR OIL MAY DAMAGE THE CATALYST

"This heater is designed to burn natural wood only. Higher efficiencies and lower emissions generally result when burning air dried seasoned hardwoods, as compared to softwoods or to green or freshly cut hardwoods."

**DO NOT BURN:**

- Treated wood
- Coal
- Garbage
- Cardboard
- Solvents
- Colored Paper
- Bio Bricks
- Trash
- Lawn clippings or yard waste
- Materials containing rubber including tires
- Materials containing plastic
- Waste petroleum products , paints or paint thinners or asphalt products
- Materials containing asbestos
- Construction or demolition debris
- Railroad ties
- Manure or animal remains
- Saltwater driftwood or other previously salt water saturated materials
- Unseasoned wood
- Paper products, cardboard, plywood or particle board. The prohibition against burning these materials does not prohibit the use of fire starters made from paper, cardboard, saw dust, wax and similar substances for the purpose of starting a fire in a wood heater.

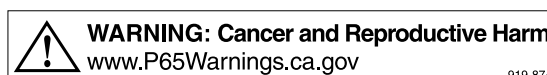
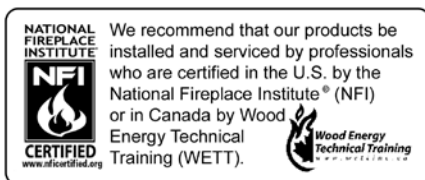
Burning these materials may result in release of toxic fumes or render the heater ineffective and cause smoke.

**The authority having jurisdiction (such as Municipal Building Department, Fire Department, Fire Prevention Bureau, etc.) should be consulted before installation to determine the need to obtain a permit.**

This unit must be connected to either a listed factory built chimney suitable for use with solid fuels and conforming to, ULC629 in Canada or UL-103HT in the United States of America. or code approved masonry chimney with flue liner.

F2500-1 is tested and certified to ULC-S627-2023 and UL 1482-2022.

**SAVE THESE INSTRUCTIONS**



919-874

Safety Label for F2500-1.....4

**Dimensions**

Unit Dimensions .....5  
 Outside Air Dimensions.....5

**Installation**

Modular Installation Options.....7  
 Stove Assembly Prior to Installation .....7  
 Thermostat Installation - F2500-1 .....7  
 Airmate Assembly for F2500-1.....7  
 Rear Heat Deflector Assembly for F2500-1 .....7  
 Pedestal Assembly Installation.....8  
 Logo Installation .....8  
 Bypass Operating Handle .....8  
 Bottom Heat Shield and Legs Installation .....9  
 Room Air - Important .....10  
 Minimum Clearance To Combustible Materials.....10  
 Minimum Alcove Clearance & Clearance to Combustible Materials.....11  
 Floor Protection.....11  
 Floor Protection (Corner Installation) .....12  
 Step-By-Step Chimney And Connector Installation .....13  
 Masonry Chimney.....14  
 Masonry Fireplace .....14  
 Factory Built Chimney.....14  
 Combustible Wall Chimney Connector Pass-throughs.. 15  
 Mobile Home Installation (USA only).....16  
 Recommended Heights For Woodstove Flue .....17  
 Optional Outside Air Kit .....18  
 Brick Installation .....19  
 Removing Wooden Handle .....20  
 Glass Installation.....20  
 Wood Handle & Door Assembly .....21  
 Flue Baffle & Secondary Air Tube Installation.....22  
 Fan Installation .....23  
 Stainless Steel Smoke Deflector Installation.....24

**Operation**

Seasoned Firewood .....25  
 Operating Instructions .....25  
 Draft Control.....25  
 Bypass Operating Handle .....25  
 First Fire.....26  
 Fan Operation .....27  
 Ash Disposal .....27  
 Ash Drawer Operating Guidelines .....27  
 Safety Guidelines and Warnings.....27

**Maintenance**

Troubleshooting Guide .....28  
 Maintenance .....29  
 Thermometer .....29  
 Creosote.....29  
 Ways to Prevent and Keep Unit Free of Creosote .....29  
 Door Gasket.....29  
 Glass Maintenance .....29  
 Wood Storage .....29  
 Catalytic Combustor Part#022-040 .....30  
 Bypass Rod Replacement .....31  
 Combustor Assembly Removal/Replacement.....32  
 Secondary Air Tube Removal/Installation.....33  
 Annual Maintenance .....33

**Parts**

Main Assembly .....34  
 Bases .....36  
 Brick Kit.....37  
 Catalytic Combustor .....38

**Warranty**

Warranty .....40  
 Catalytic Combustor Warranty Coverage.....43

**CAUTION:** To avoid burns or wood splinters, when opening/closing the fuel door or adding wood to the fire, you should always wear appropriate protective gloves to protect your hands from the heat being emitted from this fireplace.

# safety decal

This is a copy of the label that accompanies each Regency Freestanding Woodstove (F2500-1). We have printed a copy of the contents here for your review.

**NOTE:** Regency units are constantly being improved. Check the label on the unit and if there is a difference, the label on the unit is the correct one.

The serial # label will be affixed to the rear heat-shield and will be located on the right hand side if facing the unit from the front.

## Safety Label for F2500-1

duplicate serial number

**586**

DO NOT REMOVE THIS LABEL / NE RETIREZ PAS CETTE ÉTIQUETTE

**586**

**LISTED SPACE HEATER, SOLID FUEL TYPE, ALSO SUITABLE FOR MOBILE HOME INSTALLATION / APPAREIL DE CHAUFFAGE AMBIANT HOMOLOGUÉ À COMBUSTIBLE SOLIDE, CONVENANT AUSSI POUR INSTALLATION DANS UNE MAISON MOBILE**  
**MODEL: REGENCY MEDIUM FREESTANDING STOVE - F2500-1**  
**TESTED TO: ULC S627-2023 / UL 1482-2022**  
 Approved for mobile homes in the US and for transportable buildings in Canada / Cet appareil est homologué pour être installé dans une maison mobile aux États-Unis et pour les bâtiments transportables au Canada.

U.S. ENVIRONMENTAL PROTECTION AGENCY Certified to comply with 2020 particulate emission standards using crib wood. Tested and listed to Method 288, E2780-10, E2515-11. Model Regency F2500-1 - 1.4 gph. This wood heater needs periodic inspection and repair for proper operation. Consult the owner's manual for further information. It is against federal regulations to operate this wood heater in a manner inconsistent with the operating instructions in the owner's manual. Certifié conforme aux normes 2020 du U.S. ENVIRONMENTAL PROTECTION AGENCY en matière d'émission de particules de bois avec du bois d'essai normalisé (crib wood). Approuvé et testé à la méthode 288, E2780-10, E2515-11. Modèle Regency F2500-1 - 1,4 gph. Cet appareil de chauffage au bois doit être inspecté périodiquement et réparé pour un fonctionnement adéquat. Consultez le manuel d'installation pour plus d'information. La réglementation fédérale interdit de faire fonctionner un tel appareil si les consignes d'utilisation contenues dans le présent manuel ne sont pas respectées.

INSTALL AND USE ONLY IN ACCORDANCE WITH THE MANUFACTURER'S INSTALLATION AND OPERATING INSTRUCTIONS. CONTACT LOCAL BUILDING OR FIRE OFFICIALS ABOUT RESTRICTIONS AND INSTALLATION INSPECTION IN YOUR AREA. USE 150 MM (6 IN.) DIAMETER MINIMUM 24 MSG BLACK OR 26 MSG BLUED STEEL CONNECTOR WITH LISTED UL 103 HT FACTORY-BUILT CHIMNEY SUITABLE FOR USE WITH SOLID FUELS OR MASONRY CHIMNEY. SEE LOCAL BUILDING CODE AND MANUFACTURER'S INSTRUCTIONS FOR PRECAUTIONS REQUIRED FOR PASSING A CHIMNEY THROUGH A COMBUSTIBLE WALL OR CEILING. DO NOT PASS CHIMNEY CONNECTOR THROUGH COMBUSTIBLE WALL OR CEILING. DO NOT CONNECT THIS UNIT TO A CHIMNEY FLUE SERVING ANOTHER APPLIANCE.

INSTALLER ET UTILISER SEULEMENT SELON LES CONSIGNES D'INSTALLATION ET D'UTILISATION DU FABRICANT. CONTACTER LES RESPONSABLES DU BÂTIMENT OU DU SERVICE INCENDIE DE VOTRE RÉGION POUR CONNAÎTRE LES RESTRICTIONS ET EXIGENCES D'INSPECTION DANS VOTRE RÉGION. UTILISER UN CONNECTEUR D'UN DIAMÈTRE MINIMAL DE 150 MM (6 PO) 24 MSG EN ACIER NOIR OU 26 MSG EN ACIER BLEUI AVEC CHEMINÉE PRÉFABRIQUÉE HOMOLOGUÉE UL103 HT CONÇUE POUR ÊTRE UTILISÉE AVEC DES COMBUSTIBLES SOLIDES OU UNE CHEMINÉE EN MAÇONNERIE.

VOIR LE CODE DU BÂTIMENT LOCAL ET LES INSTRUCTIONS DU FABRICANT CONCERNANT LES PRÉCAUTIONS D'INSTALLATION D'UNE CHEMINÉE TRAVERSANT UN MUR OU UN PLAFOND EN MATÉRIAUX COMBUSTIBLES. NE PAS FAIRE TRAVERSER LE CONNECTEUR DE CHEMINÉE DANS UN MUR OU PLAFOND EN MATÉRIAUX COMBUSTIBLES. NE PAS RACCORDER CE POÈLE À BOIS À UN CONDUIT DE CHEMINÉE DESSERVANT UN AUTRE APPAREIL.

MINIMUM ALCOVE CEILING HEIGHT 2109 MM (8'3" MAXIMUM ALCOVE DEPTH: 1219 MM / 40"

MINIMUM CLEARANCES FOR HORIZONTAL CONNECTOR TO CEILING: 405 MM / 16"

THE SPACE BENEATH THE HEATER MUST NOT BE OBSTRUCTED. OPERATE ONLY WITH FIREBRICKS IN PLACE.

FOR USE WITH SOLID WOOD FUEL ONLY. USE OF OTHER FUELS MAY DAMAGE HEATER AND CREATE A HAZARDOUS CONDITION. DO NOT OBSTRUCT COMBUSTION AIR OPENINGS. OPERATE ONLY WITH FIREBRICKS IN PLACE. RISK OF SMOKE AND FLAME SPLASH. OPERATE ONLY WITH DOORS FULLY CLOSED. IF INSTALLED IN A MOBILE HOME OPERATE ONLY WITH DOORS FULLY CLOSED - OPEN FEED DOOR TO FEED FUEL ONLY. DO NOT USE GRATE OR FLAME SPLASH. BUILT WOOD FIRE DIRECTLY ON HEARTH. DO NOT OVERFIRE. IF HEATER OR CHIMNEY CONNECTOR GLOVES YOU ARE OVERFIRING. INSPECT AND CLEAN CHIMNEY AND CONNECTOR FREQUENTLY. UNDER CERTAIN CONDITIONS OF USE CREOSOTE BUILDUP MAY OCCUR RAPIDLY. KEEP FURNISHINGS AND OTHER COMBUSTIBLE MATERIAL AWAY FROM HEATER. REPLACE GLASS ONLY WITH RECREAM GLASS. COMBUSTIBLE FLOOR MUST BE PROTECTED BY NON-COMBUSTIBLE MATERIAL EXTENDING BENEATH THE HEATER AND TO THE FRONT AND SIDES AS INDICATED OR TO THE NEAREST PERMITTED COMBUSTIBLE MATERIAL.

OPTIONAL COMPONENT FAN PART # 866-915. ELECTRICAL RATING: VOLTS 115, 60 HZ, 2 AMP

WARNING: RISK OF ELECTRIC SHOCK. DISCONNECT POWER BEFORE SERVICING UNIT. DO NOT ROUTE POWER CORD UNDER OR IN FRONT OF APPLIANCE.

COMPONENTS REQUIRED FOR MOBILE HOME INSTALLATION OUTSIDE AIR KIT

IN CANADA LISTED UL629 CHIMNEY. USE CHIMNEY COMPONENTS AS SPECIFIED IN INSTALLATION INSTRUCTIONS

IN USA LISTED UL 103 HT CHIMNEY

WARNING: ONLY USE LISTED REGENCY OPTIONS SUCH AS LEGS, ARIMATE, FAN AS SHOWN IN THE INSTALLATION MANUAL.

CAUTION: BURNING OF MATERIALS OTHER THAN THE SPECIFIED FUEL MAY MAKE THE CATALYST IN THE COMBUSTOR INACTIVE.

CAUTION: THE COMBUSTOR IS FRAGILE. HANDLE CAREFULLY.

COMBUSTOR: PART # 022-040

CAUTION: MOVING PARTS MAY CAUSE INJURY

CAUTION: BURNING OF MATERIAL OTHER THAN THE SPECIFIED FUELS MAY TAKE THE CATALYST IN THE COMBUSTOR INACTIVE. THE COMBUSTOR IS FRAGILE. HANDLE CAREFULLY. THE PERFORMANCE OF THE CATALYTIC DEVICES OR ITS DURABILITY HAS NOT BEEN EVALUATED AS PART OF THE CERTIFICATION.

HAUTEUR MINIMALE DU PLAFOND DE LA COÛVE: 2109 MM / 83 PO PROFONDEUR MAXIMALE DE LA COÛVE: 1219 MM / 40 PO

DÉGAGEMENT MINIMAL DU PLAFOND POUR UN CONNECTEUR HORIZONTAL: 405 MM / 16 PO

L'ESPACE SOUS LE POÈLE NE DOIT PAS ÊTRE OBSTRUÉ. UTILISER SEULEMENT AVEC LES BRIQUES RÉFRACTAIRES EN PLACE.

À UTILISER AVEC DU BOIS SEULEMENT. L'UTILISATION D'AUTRES COMBUSTIBLES PEUT ENDOMMAGER LE POÈLE ET CRÉER UNE CONDITION DANGEREUSE. NE PAS OBSTRUER LES OUVERTURES D'AIR DE COMBUSTION. UTILISER SEULEMENT AVEC LA PORTÉE RÉFRAÏMÉE - OUVRIR SEULEMENT L'APORTE DE CHARGEMENT POUR ALIMENTER LE FEU. NE PAS UTILISER DE GRILLE À BÂTONS SUR LE FEU. MONTER LE FEU DE BOIS DIRECTEMENT SUR LÂTÈRE. NE PAS SURCHAUFFER - SI LE POÈLE OU LE CONNECTEUR DE CHEMINÉE SE MET À ROUGIR, RISQUE DE SURCHAUFFAGE. INSPECTER ET NETTOYER FRÉQUEMMENT LA CHEMINÉE ET LE CONNECTEUR. DANS CERTAINES CONDITIONS D'UTILISATION, UN DÉPÔT DE CRÉOSOTE PEUT SE FORMER RAPIDEMENT. GARDER LES MEUBLES ET AUTRES MATÉRIAUX COMBUSTIBLES ÉLOIGNÉS DU POÈLE. REMPLACER LA VITRE SEULEMENT PAR DU VERRRE EN NECESSAIRE. LE PLANCHER COMBUSTIBLE DOIT ÊTRE PROTÉGÉ PAR DES MATÉRIAUX NON COMBUSTIBLES DÉPASSANT SUR LE DESSOUS. LE DEVANT ET LES CÔTÉS DU POÈLE, TEL QU'INDIQUÉ, OU JUSQU'AU MATÉRIAU COMBUSTIBLE LE PLUS PRÈS PERMIS.

COMPONENTS EN OPTION: VENTILATEUR, ALIMENTATION ÉLECTRIQUE: 115 VOLTS, 60 HZ, 2 AMP

DANGER: RISQUE D'ÉLECTROCUTION. DÉCONNECTER L'ALIMENTATION ÉLECTRIQUE AVANT D'INTERFÉRER L'ENTRETIEN DU POÈLE. NE PAS INSTALLER LE CORDON ÉLECTRIQUE SOUS OU DEVANT L'APPAREIL.

COMPONENTS EXIGÉS POUR INSTALLATION DANS UNE MAISON MOBILE: KIT DE PRISE D'AIR EXTÉRIEUR.

AU CANADA: CHEMINÉE HOMOLOGUÉE ULCS 629. UTILISER LES PIÈCES DE LA CHEMINÉE TEL QUE SPÉCIFIÉ DANS LES CONSIGNES D'INSTALLATION.

AUX ÉTATS-UNIS: CHEMINÉE HOMOLOGUÉE UL-103HT.

**MINIMUM CLEARANCES TO COMBUSTIBLE MATERIALS**  
 DÉGAGEMENTS MINIMAUX PAR RAPPORT AUX MATÉRIAUX COMBUSTIBLES

F2500-1 WITH AIRMATE SHIELD				F2500-1 WITH REAR DEFLECTOR			
MEASURE FROM	HEATER	FLUE CENTER-LINE		MEASURE FROM	HEATER	FLUE CENTER-LINE	
RESIDENTIAL INSTALLATION USING SINGLE WALL CONNECTOR				RESIDENTIAL INSTALLATION USING SINGLE WALL CONNECTOR			
SIDEWALL	A 394 mm / 15.5 in	D 711 mm / 28 in		SIDEWALL	A 394 mm / 15.5 in	D 711 mm / 28 in	
BACKWALL	B 216 mm / 8.5 in	E 381 mm / 15 in		BACKWALL	B 267 mm / 10.5 in	E 432 mm / 17 in	
CORNER	C 172 mm / 6.75 in	F 483 mm / 19 in		CORNER	C 172 mm / 6.75 in	F 483 mm / 19 in	
INSTALLATION USING LISTED DOUBLE WALL CONNECTOR - MOBILE HOME				INSTALLATION USING LISTED DOUBLE WALL CONNECTOR - MOBILE HOME			
SIDEWALL	A 369 mm / 14.5 in	D 686 mm / 27 in		SIDEWALL	A 369 mm / 14.5 in	D 686 mm / 27 in	
BACKWALL	B 178 mm / 7 in	E 343 mm / 13.5 in		BACKWALL	B 229 mm / 9 in	E 394 mm / 15.5 in	
CORNER	C 121 mm / 4.75 in	F 432 mm / 17 in		CORNER	C 121 mm / 4.75 in	F 432 mm / 17 in	
INSTALLATION USING LISTED DOUBLE WALL CONNECTOR - RESIDENTIAL CLOSE CLEARANCE				INSTALLATION USING LISTED DOUBLE WALL CONNECTOR - RESIDENTIAL CLOSE CLEARANCE			
SIDEWALL	A 369 mm / 14.5 in	D 686 mm / 27 in		SIDEWALL	A 369 mm / 14.5 in	D 686 mm / 27 in	
BACKWALL	B 178 mm / 7 in	E 343 mm / 13.5 in		BACKWALL	B 229 mm / 9 in	E 394 mm / 15.5 in	
CORNER	C 121 mm / 4.75 in	F 432 mm / 17 in		CORNER	C 121 mm / 4.75 in	F 432 mm / 17 in	
INSTALLATION USING LISTED DOUBLE WALL CONNECTOR - ALCOVE				INSTALLATION USING LISTED DOUBLE WALL CONNECTOR - ALCOVE			
SIDEWALL	G 369 mm / 14.5 in	H 686 mm / 27 in		SIDEWALL	G 369 mm / 14.5 in	H 686 mm / 27 in	
BACKWALL	H 178 mm / 7 in	J 343 mm / 13.5 in		BACKWALL	H 229 mm / 9 in	J 394 mm / 15.5 in	

Type I FLOOR PROTECTION\*  
 PROTECTION DE PLANCHER\*

A	1245 mm / 49 in (Canada)
B	1194 mm / 47 in (USA)
C	457 mm / 18 in (Canada)
D	406 mm / 16 in (USA)
E	1026 mm / 40.38 in
F	203 mm / 8 in

\* In Canada, floor protection must extend 18" (457mm) to the front (16"/406mm for USA) and 8" (203mm) to each side and back of the stove. (For Canada and USA)

\* Au Canada, la protection de plancher doit dépasser de 18 po (457 mm) à l'avant (16 po/406 mm aux États-Unis) et de 8 po (203 mm) de chaque côté du poêle et derrière le poêle (pour le Canada et les États-Unis).

**CAUTION**  
**HOT WHILE IN OPERATION DO NOT TOUCH. KEEP CHILDREN, CLOTHING AND FURNITURE AWAY. CONTACT MAY CAUSE SKIN BURNS. READ NAMEPLATE AND INSTRUCTIONS.**

**ATTENTION**  
**CHAUD DURANT LE FONCTIONNEMENT. NE TOUCHEZ PAS. ÉLOIGNEZ LES ENFANTS, LES VÊTEMENTS ET LES MEUBLES. LE CONTACT PEUT CAUSER DES BRÛLURES. LISEZ LA PLAQUE SIGNALÉTIQUE ET LES INSTRUCTIONS**

MADE IN CANADA / FABRIQUÉ AU CANADA

920-644

DATE OF MANUFACTURE

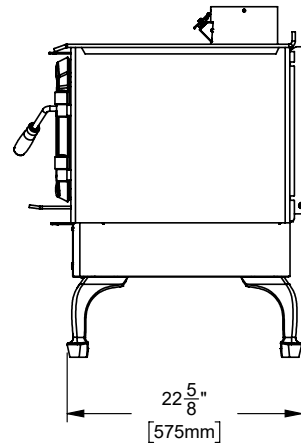
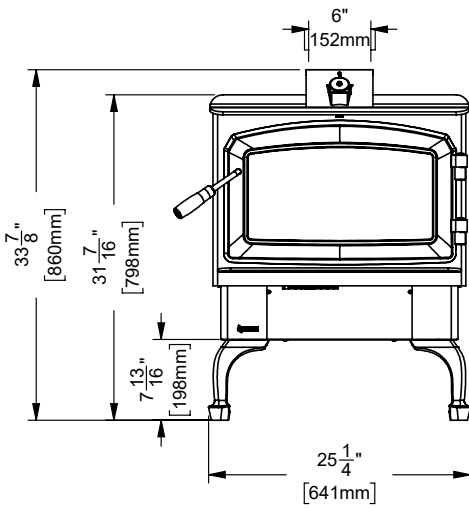
JAN FEB MAR APR MAY JUN JUL AUG SEPT OCT NOV DEC

2023 2024 2025 2026 2027

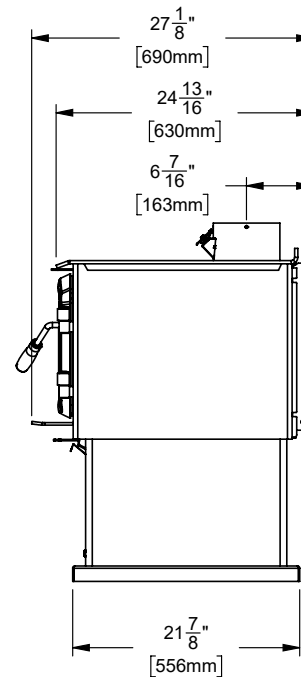
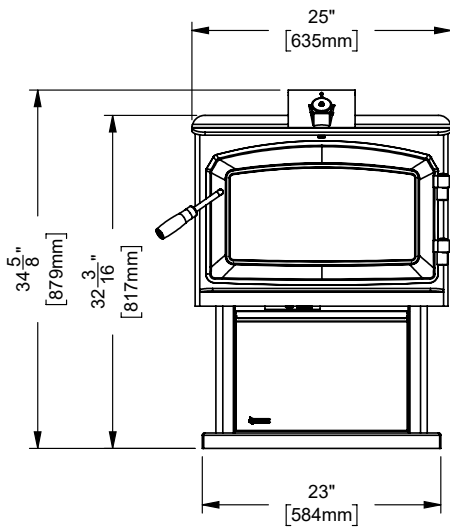
4

F2500-1 Regency Freestanding Woodstove

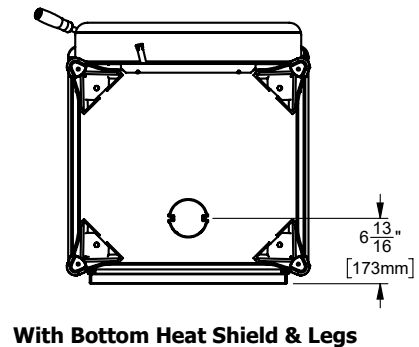
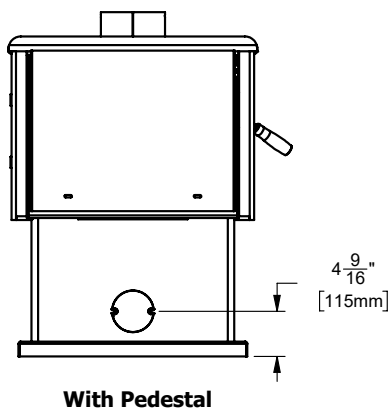
Unit Dimensions With Bottom Heat Shield & Cast Legs



Unit Dimensions With Pedestal



Outside Air Dimensions



# installation

1. Please read this entire manual before you install and use your new woodstove. Failure to follow instructions may result in property damage, bodily injury or even death. Be aware that local Codes and Regulations may override some items in this manual. Check with your local inspector.

## WARNING

**DO NOT INSTALL THE FREESTANDING WOODSTOVE IN ANY FIREPLACE.**

2. Select a position for your Regency Stove. Consult the minimum clearance chart for your model and set the stove in place. For installation use listed double wall connector systems only.
3. To insure vertical alignment, suspend a plumb bob from the ceiling over the exact center of your stove flue and mark a spot on the ceiling to indicate the center of the chimney.
4. Check that the area above the ceiling is clear for cutting. Re-confirm the clearance from the stove to combustibles to ensure that they are within the prescribed limits.
5. This woodstove must be connected to a UL 103 HT (ULC S629) listed chimney or a code approved masonry chimney with a flue liner.

Space heater is to be connected to a factory built chimney conforming to CAN/ULC-5629 standard for 650C factory built chimneys. The chimney requirement is 6" (152 mm), refer to appropriate sections in this manual for specifics.

6. Install chimney according to chimney manufacturers instructions. The performance of your woodstove is governed to a very large part by the chimney system. Too short a chimney can cause difficult start-up, dirty glass, back smoking when door is open, and even reduced heat output.

**WHEN THIS ROOM HEATER IS NOT PROPERLY INSTALLED, A HOUSE FIRE MAY RESULT. TO REDUCE THE RISK OF FIRE, FOLLOW THE INSTALLATION INSTRUCTIONS. CONTACT LOCAL BUILDING OR FIRE OFFICIALS ABOUT RESTRICTIONS AND INSTALLATION INSPECTION REQUIREMENTS IN YOUR AREA.**

**NOTE:** The room heater shall not be installed in any fireplace.

Too tall a chimney may prompt excessive draft which can result in very short burn times and excessive heat output. The use of an inexpensive flue pipe damper may be helpful in reducing excessive draft.

**CAUTION:** The chimney should be the same size as the 6" (152 mm) flue outlet on the stove. The chimney must be listed as suitable for use with solid fuels. For other types of chimneys check with your local building code officials. Do not confuse a chimney with a type "B" Venting System used for gas appliances as suitable for a wood burning appliance. For Mobile Home installations refer to that section within this manual.

7. Mark the location of the pedestal base or legs on the floor, then move the stove aside and mark the position of the floor protector.
8. The floor protector must be of Type 1 non-combustible material and must extend 16" (406mm) (USA), 18" (457 mm) (Canada) in front of the door opening and 8" (203mm) to the sides and rear of the unit (Canada/USA). Some areas may require a larger size floor protector. See your local inspector. For outside air installation refer to Mobile Home installation instructions within this manual.

**NOTE:** In Canada, floor protection must extend 18" (457mm) to the front and 8" (203mm) to each side and back of the stove.

9. When the floor protection is complete, position the stove with the flue collar centered under the installed chimney.
10. In areas with frequent seismic activity, Regency recommends that your unit is secured to the floor by using the bolt down holes inside the pedestal (the same ones used in Mobile Home installations).

**NOTE:** In Canada installation shall be in accordance with CSA B365, Installation Code for Solid-Fuel-Burning Appliances and Equipment, building codes, and standards that apply to the structure where the space heater is installed.

11. For residential installations 6" (152 mm) (single wall OK) double wall chimney, the chimney connector must be at least 24 gauge steel. Do not use galvanized pipe. For Mobile Home installation refer to the Mobile Home installation instructions within this manual.
12. **DO NOT CONNECT THIS UNIT TO A CHIMNEY SERVING ANOTHER APPLIANCE.**
13. A chimney connector cannot pass through an attic or roof space, closet or similar concealed space, or a floor, ceiling, wall or partition of combustible construction. In Canada, if passage through a wall, or partition of combustible construction is desired, the installation shall conform to CAN/CSA-B365, Installation Code for Solid-Fuel-Burning Appliances and Equipment.
14. Your Regency Woodstove is not to be connected to any air distribution duct.
15. To be installed as a freestanding space heater with the clearances in the manufacturer's installation instructions. "Not to be installed in any fireplace."

**NOTE:** In Canada, chimney must be removed for transportation of a transportable building.

**CAUTION:**  
Do not alter or makeshift chimney or install. Install as per Manual.

**IMPORTANT:**  
**Smoke and CO Detectors:**  
Make sure your home has a working smoke and CO detector, especially near any bedrooms. We recommend having a smoke and CO detector in the same room as the wood appliance for additional safety. Location of both detectors should be chosen wisely to avoid false alarms when reloading the appliance.  
**Fire Extinguisher:**  
A fire extinguisher should be installed in the home. The location of the fire extinguisher should be known by all family members.

## Modular Installation Options

WARNING: ONLY USE SPECIFIED COMPONENTS.

The following items are required when assembling your Regency Stove. F2500-1 unit - the Rear Heat Deflector is supplied with the stove, but if you choose not to use it you must use the Airmate instead

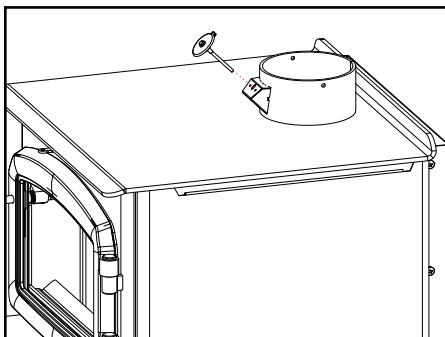
<b>Modular Part</b>	See the Minimum Clearance to Combustible Materials chart in the Installation section of this manual
<b>F2500-1 Airmate OR Rear Heat Deflector</b>	Convection heat with Airmate vs. Radiant Heat with Rear Heat Deflector. The Airmate pushes heat forward out into the room, the Rear Heat Deflector deflects the heat upward. Refer to the Installation sections within this manual.
<b>OPTIONS :</b>	
<b>Blower/ Fan</b>	Adding the blower will increase the area heated by the stove, it can move warm air beyond the room where the stove
<b>Ash Drawer Kit</b>	Adding the Ash Drawer Kit makes cleaning ashes out of the stove easier and cleaner (refer to Bottom Shield Ash Drawer Kit, Installation section)
<b>Outside Air Kit</b>	Allows outside combustion air to enter firebox
<b>Bottom heat shield + legs*</b>	Used instead of pedestal
<b>Pedestal*</b>	Used instead of heat shield and legs
<b>Cast Door</b>	Choose between black door or black with nickel accent door.
<b>* Must choose one of the options. Cannot be installed/operated without a pedestal and or bottom heat shield and legs.</b>	

## Stove Assembly Prior to Installation

The F2500-1 unit requires the pedestal (or heat shield and legs) to be attached to the base. The F2500-1 stove requires either the Airmate or Rear Heat Deflector on top of the stove. Clearances to combustible materials vary depending on whether the airmate or rear heat deflector is installed, so be sure to check the Minimum Clearances, Installation section.

## Thermometer Installation F2500-1

Install the supplied thermometer by inserting it into the bracket located at the front of the flue collar as shown below.



## Airmate Assembly for F2500-1

1. The airmate sits on top of the stove with the slots in the sides fitting over the curved deflector on the rear stove top. See diagram 1. Discard the Rear Heat Deflector that is supplied with the unit, it is not required if the airmate is installed.
2. Center the airmate and push it forward to the front of the stove. The back of the airmate should be level with the back and sides of the rear heat shield. See Diagrams 2 & 3.

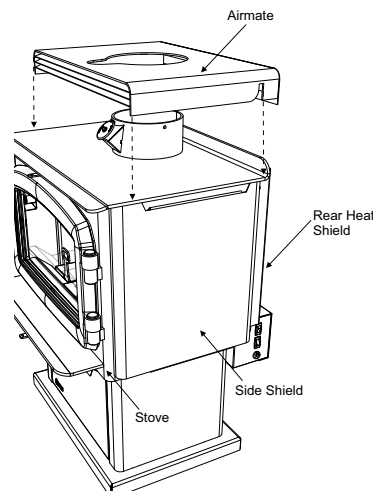


Diagram 1

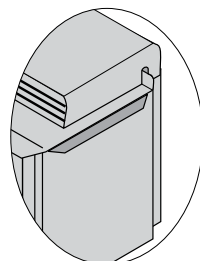


Diagram 2

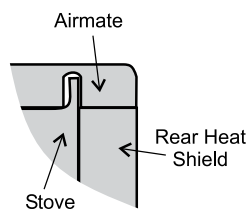


Diagram 3

## Rear Heat Deflector Assembly for F2500-1

The rear heat deflector is supplied with the stove and must be installed unless the optional airmate has been selected. It stops the heat radiated from the flue collar from overheating the rear wall. The rear heat deflector is installed on top of the rear heat shield, as shown in Diagram 4.

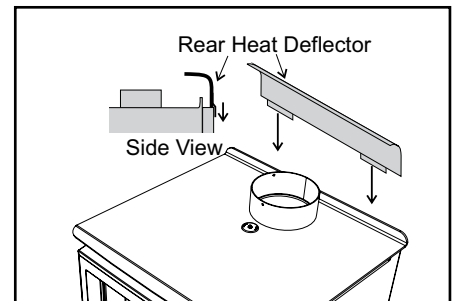


Diagram 4

# installation

## Pedestal Assembly Installation

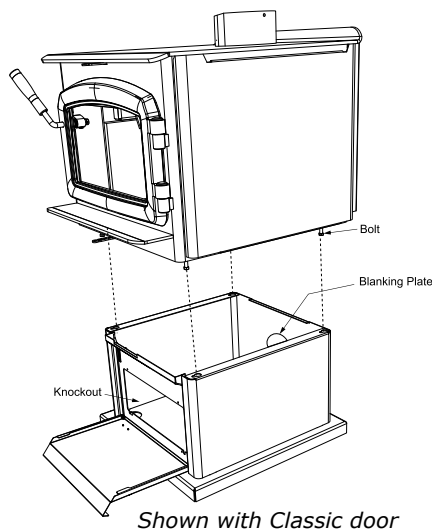
1. For easier assembly, tip the stove on its back (onto a soft surface to prevent scratching) and remove the front cover.

**Hint:** If you have chosen the Ash Drawer option, remove the ash dump cover plates before attaching the pedestal (refer to the Ash drawer Kit Installation section).

2. Important: Remove the blanking plate if:
  - a) you are not installing outside combustion air or
  - b) outside air is to be brought in from the rear of the stove (see below).

**Note:** If outside air is to be brought from underneath the appliance, the blanking plate would remain in place.

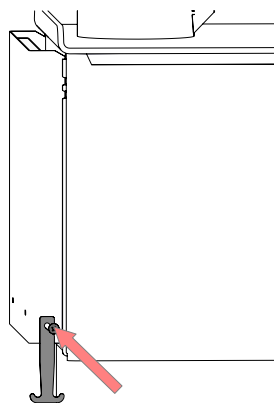
3. Using the 4 supplied 5/16" (8 mm) bolts in the under-side of the stove, insert the bolts loosely onto the threads located at all 4 corners at the base of the unit. Align the holes in the corners of the pedestal top with the corresponding bolts in the base of the stove. Tighten each bolt from inside the pedestal.



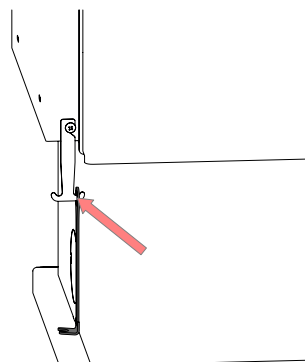
## Bypass Operating Handle

The F2500-1 is supplied with an air and bypass operating handle. The handle is used to open and close the by-pass and to adjust the air control for the desired heat output.

Install the operating handle storage bracket on the bottom right or left side screw that secures the side shield.



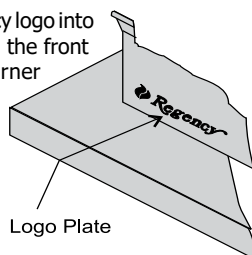
Loosen screw and insert storage bracket.



Hang operating handle after use

## Logo Installation

1. Push the Regency logo into the two holes in the front bottom left corner of the pedestal cover plate.



**Note:** Any paint touch up should be done prior to placing logo on pedestal.

2. If not using ash drawer, then the front cover must remain in place. If using ash drawer, then remove the front cover.



## Bottom Heat Shield and Legs Installation

The instructions below apply to the painted cast leg and the nickel plated cast leg. It will be easier to attach the legs to the stove if the stove is tipped on its back (preferably on a soft surface to prevent scratching). **Ensure to be extremely careful when tipping stove.**

- 1) Remove the 4 bolts from underside of the base of the stove and discard. Also remove cover plate (if installed) and put to the side.
- 2) Line up the heat shield with the bottom of the unit.
- 3) Start threading the bolt and metal washer (supplied with the bottom shield) for about 1/4 of the way through the leg with the washers being underneath the legs. Ensure that the legs are properly aligned with heat shield and tighten the bolts.
- 4) Level the stove by adjusting the levelling bolts in the bottom of each leg.
- 5) Reinstall cover plate.
- 6) Install logo plate onto heat shield by placing in 2 holes as shown in diagram.

The 4" knockout must be removed if using either room air and or outside air for combustion. Discard the knockout after removing.

If you are installing outside combustion air, bend the tabs out 90 degrees (diagram 4). Pipe fresh air into the bottom shield by using a minimum 4" duct pipe with a mesh grill at the outside termination. Attach the pipe to the 2 tabs with screws.

- 7) Affix the tool holder to either the right or left side of the appliance by loosening the screw and hooking the tool holder onto the screw and retighten as shown below.

Note: The tool holder will be with the manual package inside of the unit.

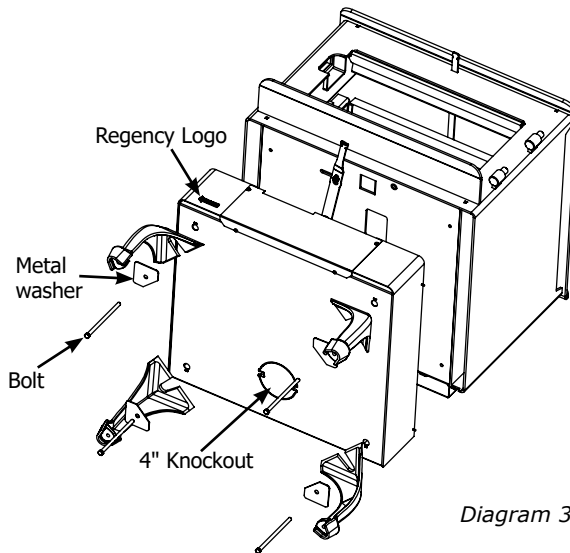


Diagram 3

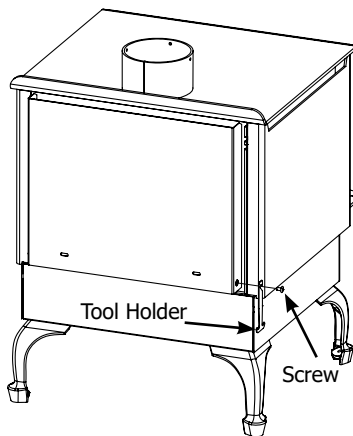


Diagram 1

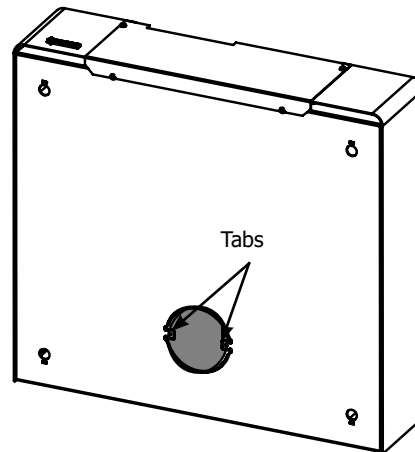


Diagram 4

- 8) Hook control tool onto tool holder as shown below.

Note : The control tool will be with the manual package inside of the unit.

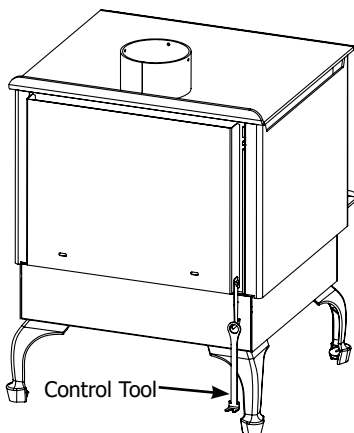


Diagram 2

# installation

## Room Air Important

For installation using room air for combustion, remove knockout from the pedestal, and/or from the bottom if using a heat shield.

Mobile home installations require the use of outside air.

On pedestal units there are two locations where outside air may be adapted to the unit. If using the bottom of the pedestal, do not remove knockout from the rear of the pedestal. Only remove rear knockout if outside air will be brought in from the rear.

On leg units outside air can only be brought in from the bottom of the heat shield.

**Note: Once the knockout is removed there are two tabs remaining. Bend both tabs out for ease of installation when attaching outside air.**

## Minimum Clearance To Combustible Materials

Please read the section below carefully as clearances depend on whether the airmate or the rear heat deflector is installed on the stove.

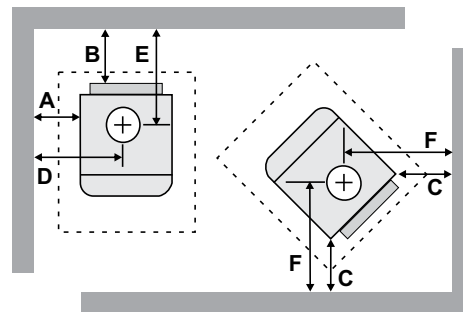
Measurements "From Unit" are from the top plate of the stove to a side wall or to a corner, and from the rear heat shield to a back wall.

**Clearances may only be reduced by means approved by the regulatory authority.**

Minimum ceiling height - 83" (2108mm) (Measured from base of appliance)

**NOTE:** This clearance is also required for air space between the appliance and wall/ceiling. Clearances to combustibles are for the safety of the property. To avoid overheating and damaging the appliance these clearances should be maintained for non-combustibles also.

**NOTE:** Be aware that local Codes and Regulations may override some clearances listed in this manual. Check with your local inspector.



Residential Installation "C" Vent (Single Wall)						
Unit	From Unit		From Corner		From Flue Center-Line	
	A	B	C	D	E	F
<b>Medium F2500-1 with Airmate</b>	15.5" (394mm)	8.5" (216mm)	6.75" (172mm)	28" (711mm)	15" (381mm)	19" (483mm)
<b>with Rear Deflector</b>	15.5" (394mm)	10.5" (267mm)	6.75" (172mm)	28" (711mm)	17" (432mm)	19" (483mm)
Residential Close Clearance (To be installed with required pipe components)						
When the stove is installed as a close clearance residential unit, a listed double wall connector is required from the stove collar to the ceiling level.						
Unit	From Unit		From Corner		From Flue Center-Line	
	A	B	C	D	E	F
<b>Medium F2500-1 with Airmate</b>	14.5" (369mm)	7" (178mm)	4.75" (121mm)	27" (686mm)	13.5" (343mm)	17" (432mm)
<b>with Rear Deflector</b>	14.5" (369mm)	9" (229mm)	4.75" (121mm)	27" (686mm)	15.5" (394mm)	17" (432mm)
Mobile Home Close Clearance (To be installed with required pipe components)						
"C" Vent single wall pipe is not approved for Mobile Home installations. (Refer to Mobile Home Instructions.)						
Unit	From Unit		From Corner		From Flue Center-Line	
	A	B	C	D	E	F
<b>Medium F2500-1 with Airmate</b>	14.5" (369mm)	7" (178mm)	4.75" (121mm)	27" (686mm)	13.5" (343mm)	17" (432mm)
<b>with Rear Deflector</b>	14.5" (369mm)	9" (229mm)	4.75" (121mm)	27" (686mm)	15.5" (394mm)	17" (432mm)

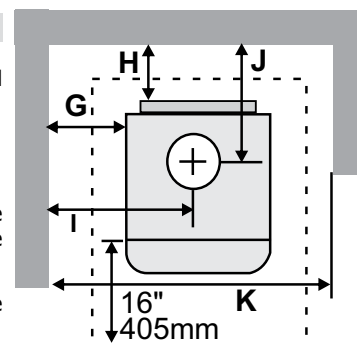
## Minimum Alcove Clearance and Clearance to Combustible Materials

The Regency Freestanding models have been alcove approved and must be installed with a listed double wall connector to the ceiling level.

**Note:** Minimum alcove ceiling height - 83" (2108 mm) (Measured from base of appliance)  
Maximum depth of alcove - 48" (1219 mm)

**NOTE:** This clearance is also required for air space between the appliance and wall/ceiling. Where the appliance is installed less than 8" (203 mm) from a rear wall, the ember pad only needs to extend to the base of the wall based on the clearances noted in this manual.

**NOTE:** The measurements for floor protection for front are taken from the fuel door opening and from the side of the stove for side clearances.



Unit	From Unit		From Flue Center-Line		From Wall
	G	H	I	J	K
<b>Medium F2500-1 with Airmate</b>	14.5" (369mm)	7" (178mm)	27" (686mm)	13.5" (343mm)	54" (1372mm)
<b>with Rear Deflector</b>	14.5" (369mm)	9" (229mm)	27" (686mm)	15.5" (394mm)	54" (1372mm)

## Floor Protection

### (Ember Protection only required)

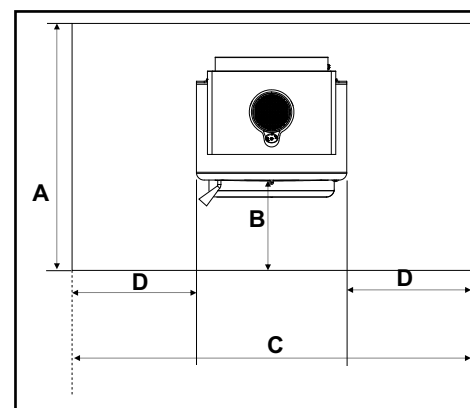
A combustible floor must be protected by a non-combustible material (like tile, concrete board, or certified to UL-1618 Type 1 (or as defined by local codes). Type 1 Hearth Pads typically provide protection from embers only, but won't provide thermal protection from the heat of the appliance.

Canada: Beneath the heater and extending to at least 18" (457 mm) on the fuel loading side and at least 8" (203 mm) on the sides and back.

USA: Beneath the heater and extending to at least 16" (406 mm) beyond the fuel loading side and ash removal opening and at least 8" (203 mm) on the sides and back and under the chimney connector extending 2" (51 mm) beyond each side for horizontal applications.

Note: The measurements for floor protection for front are taken from fuel door opening & sides are taken from the unit heat shield. Where the appliance is installed less than 8" (203 mm) from a rear wall, the ember pad only needs to extend to the base of the wall based on the clearances noted in this manual.

Minimum Overall Depth (Y) of Floor Protector					
Unit		A	Front of the stove to edge of hearth		Side of the stove (Both Sides)
			B	C	D
F2500-1	Canada	49" (1245mm)	18" (457mm)	40-3/8" (1026 mm)	8" (203mm)
	USA	47" (1194mm)	16" (406mm)	40-3/8" (1026 mm)	8" (203mm)



Minimum Overall Depth (Y) of Floor Protector					
Reference only when hearth pad is installed to rear wall at minimum pipe clearances.		Hearth Depth	Edge of Fuel door opening to edge of hearth	Hearth Width	Side of the Stove (Both Sides)
<b>Residential Installation "C" Vent (Single Wall)</b>					
Unit		A	B	C	D
F2500-1 with Airmate	Canada	49-1/2" (1257mm)	18" (457mm)	40-3/8" (1026mm)	8" (203mm)
	USA	47-1/2" (1207mm)	16" (406mm)	40-3/8" (1026mm)	8" (203mm)
F2500-1 with Rear Deflector	Canada	51-1/2" (1308mm)	18" (457mm)	40-3/8" (1026mm)	8" (203mm)
	USA	49-1/2" (1257mm)	16" (406mm)	40-3/8" (1026mm)	8" (203mm)
<b>Residential Close Clearance (To be installed with required pipe components)</b>					
Unit		A	B	C	D
F2500-1 with Airmate	Canada	48" (1219mm)	18" (457mm)	40-3/8" (1026mm)	8" (203mm)
	USA	46" (1168mm)	16" (406mm)	40-3/8" (1026mm)	8" (203mm)
F2500-1 with Rear Deflector	Canada	50" (1270mm)	18" (457mm)	40-3/8" (1026mm)	8" (203mm)
	USA	48" (1219mm)	16" (406mm)	40-3/8" (1026mm)	8" (203mm)

# installation

## Floor Protection (Corner Installation)

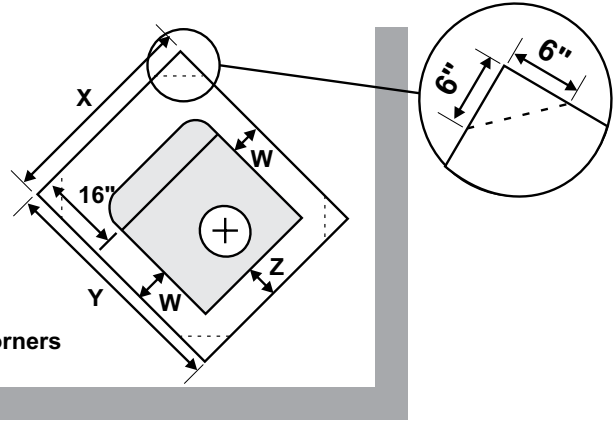
A combustible floor must be protected by non-combustible material (like tile, concrete board, or certified to UL-1618 or as defined by local codes) extending beneath the heater and a minimum of 8" (203 mm) from each side and minimum 16" (406 mm)\*\* from the front face of the stove and minimum 8" (203 mm) (or the rear clearance to combustibles whichever is smaller) from the rear of the stove.

When installed with horizontal venting, non-combustible floor protection must beneath the flue pipe and extend 2" (51 mm) beyond each side.

### Minimum Overall Width (X) of Floor Protector for all installations:

Stove F2500-1      40-3/8" (1026 mm)

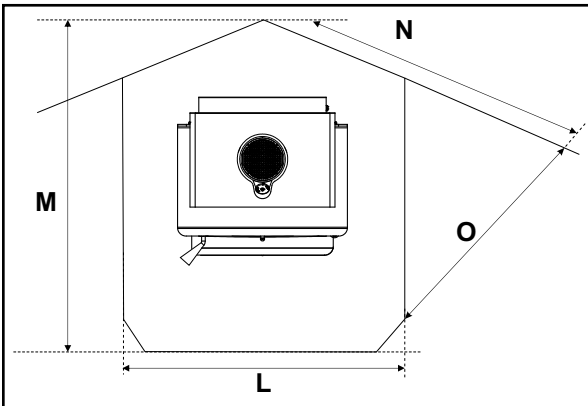
for angled corners



**\*\*NOTE: In Canada, floor protection must extend 18" (457mm) to the front.**

Minimum Overall Depth (Y) of Floor Protector			
Unit	Residential "C" Vent		From Side of Stove
	Y	Z	W
<b>Medium F2500-1</b>	Canada - 49" (1245mm) USA - 47" (1194mm)	8" (203mm)	8" (203mm)

Minimum Overall Depth (Y) of Floor Protector - Corner Hearth Reference only when hearth pad is installed to rear wall at minimum pipe clearances.				
	Hearth Depth			
F2500-1	L	M	N	O
<b>Residential Installation "C" Vent (Single Wall)</b>				
Canada	40-3/8" (1026mm)	61-5/8" (1566mm)	53-5/8" (1362mm)	25-1/16" (637mm)
USA	40-3/8" (1026mm)	59-5/8" (1515mm)	52-1/4" (1327mm)	23-11/16" (602mm)
<b>Residential Close Clearance (To be installed with required pipe components)</b>				
Canada	40-3/8" (1026mm)	58-13/16" (1494mm)	51-5/8" (1312mm)	23-1/16" (586mm)
USA	40-3/8" (1026mm)	56-13/16" (1443mm)	50-1/4" (1276mm)	21-11/16" (551mm)



This stove may be connected to a lined masonry chimney or a listed factory built chimney suitable for use with solid fuels and conforming to ULC629 in Canada or UL-103HT in the USA. Do not connect it to a chimney serving another appliance. To do so will affect the safe operation of both appliances, and will void the stove warranty. You must comply with the local authority having jurisdiction and/or in Canada, CSA installation standard B365-M87.

The chimney connector must be 6" (152 mm) diameter, 24 MSG Black/Blue steel. Do not use aluminum or galvanized steel, they cannot properly withstand the extreme temperatures of a wood fire. The chimney connector between the stove and the chimney should be as short and direct as possible.

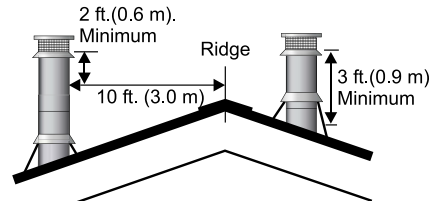
The chimney connector must be attached to either an approved masonry chimney or one of the listed factory built chimneys suitable for use with solid wood fuel. All joints must be tight and fastened with sheet metal screws.

## Step-By-Step Chimney And Connector Installation

**Note:** These are a generic set of chimney installation instructions. Always follow the manufacturers own instructions explicitly. Check the Minimum Recommended Flue Heights section (Table 1).

**Note:** Do not install the chimney directly at the outlet of the appliance. A chimney connector (flue pipe) is required unless the appliance is specifically approved for that type of installation.

1. With your location already established, cut and frame the roof hole. It is recommended that no ceiling support member be cut for chimney and support box installation. If it is necessary to cut them, the members must be made structurally sound.



2. Install radiant shield and support from above.
3. Stack the insulated pipe onto your finish support to a minimum height of 3 feet above the roof penetration, or 2 feet above any point within 10 feet measured horizontally. There must be at least 3 feet of chimney above the roof level.

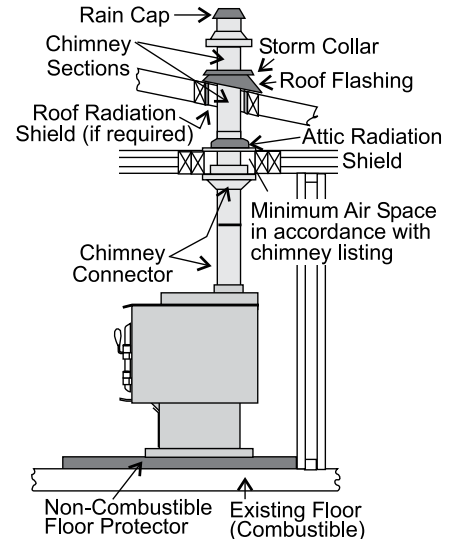
**Note:** Increasing the chimney height above this minimum level will sometimes help your unit to "breathe" better by allowing a greater draft to be created. This greater draft can decrease problems such as, difficult start-ups, back-smoking when door is open, and dirty glass. It might be sufficient to initially try with the minimum required height, and then if problems do arise add additional height at a later date.

4. Slide the roof flashing over your chimney and seal the flashing to the roof with roofing compound. Secure the flashing to your roof with nails or screws.
5. Place the storm collar over the flashing, sealing the joints with a silicone caulking.

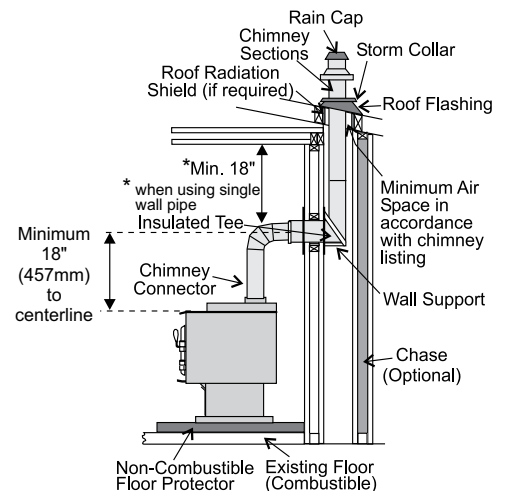
6. Fasten the raincap with spark screens (if required) to the top of your chimney.
7. To complete your chimney installation, install the double wall connector pipe from the stove's flue collar to the chimney support device.
8. If you are using a horizontal connector, the chimney connector should be as high as possible while still maintaining the 18" (457mm) minimum distance from the horizontal connector to the ceiling.

**NOTE:** Residential Close Clearance and Alcove installations require a listed double wall connector from the stove collar to the ceiling level.

The diagrams below illustrate one way to install your unit into a standard ceiling or with a horizontal connector. Check with your dealer or installer for information on other options available to you.



Standard Ceiling Installation



Horizontal Installation

**⚠ WARNING**

**THE CHIMNEY CONNECTOR IS TO BE USED ONLY WITHIN THE ROOM, BETWEEN THE STOVE AND CEILING/ WALL. NEVER USE A CHIMNEY CONNECTOR TO PASS THROUGH AN ATTIC OR ROOF SPACE, CLOSET OR SIMILAR CONCEALED SPACE, OR A FLOOR, OR CEILING. AN EFFECTIVE VAPOR BARRIER MUST BE MAINTAINED AT THE LOCATION WHERE THE CHIMNEY OR COMPONENT PENETRATES TO THE EXTERIOR OF THE STRUCTURE. ALWAYS MAINTAIN THE MINIMUM CLEARANCES TO COMBUSTIBLES AS REQUIRED BY THE APPLICABLE BUILDING CODES.**

# installation

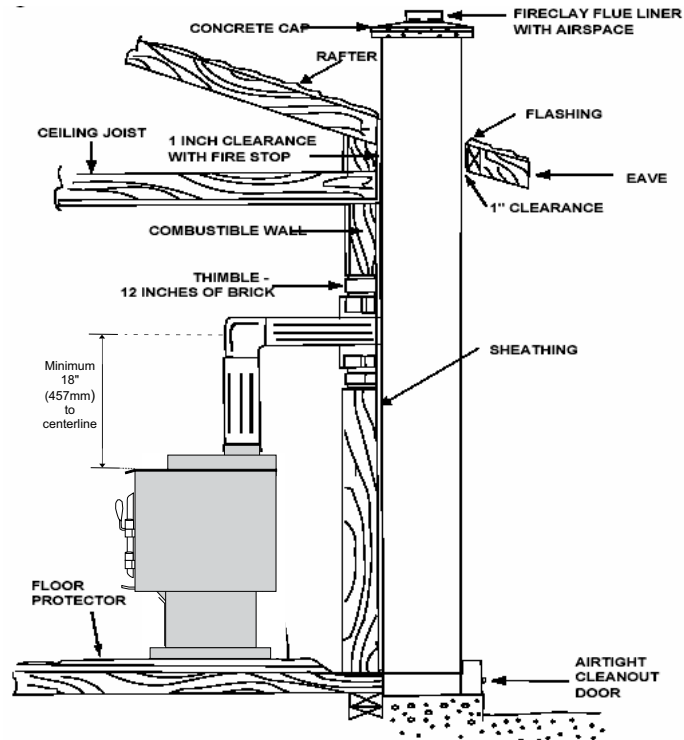
## Masonry Chimney

Ensure that a masonry chimney meets the minimum standards of the National Fire Protection Association (NFPA) by having it inspected by a professional. Make sure there are no cracks, loose mortar or other signs of deterioration and blockage. Have the chimney cleaned before the stove is installed and operated. When connecting the stove through a combustible wall to a masonry chimney, special methods are needed.

Ensure that an effective vapour barrier at the location where the chimney or other component penetrates to the exterior of the structure.

When referencing installation or connection to masonry fireplaces or chimneys, the masonry construction must or shall be code complying.

This unit is designed to use either a 5.5" (140mm) or 6" (152mm) flue liner only in the confines of the masonry chimney.



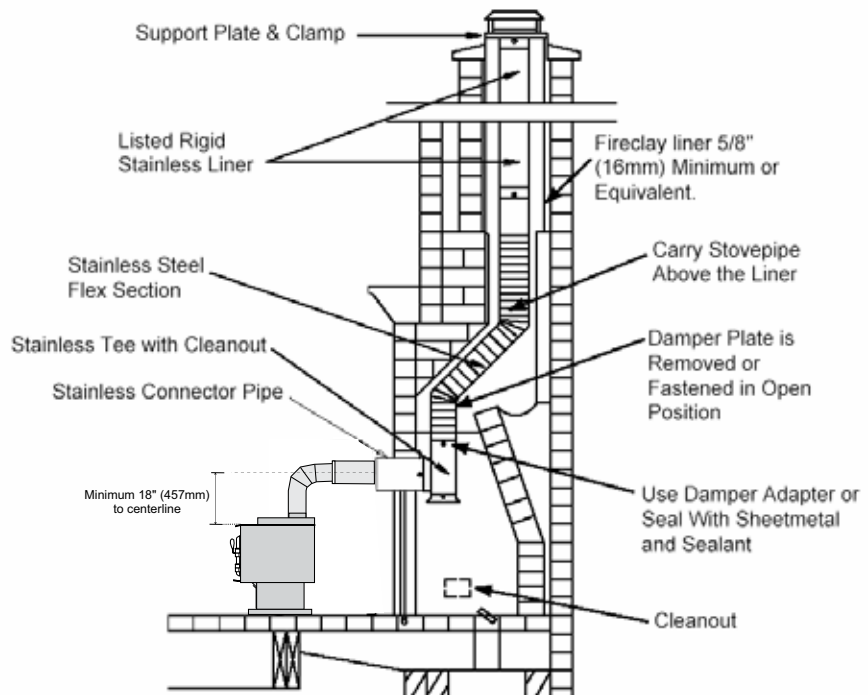
## Masonry Fireplace

There are listed kits available to connect a stove to a masonry fireplace. The kit is an adapter that is installed at the location of the fireplace damper. The existing damper may have to be removed to allow installation.

Ensure that an effective vapour barrier at the location where the chimney or other component penetrates to the exterior of the structure.

This unit is designed to use either a 5.5" (140mm) or 6" (152mm) flue liner only in the confines of the masonry chimney as shown.

When referencing installation or connection to masonry fireplaces or chimneys, the masonry construction must or shall be code complying.



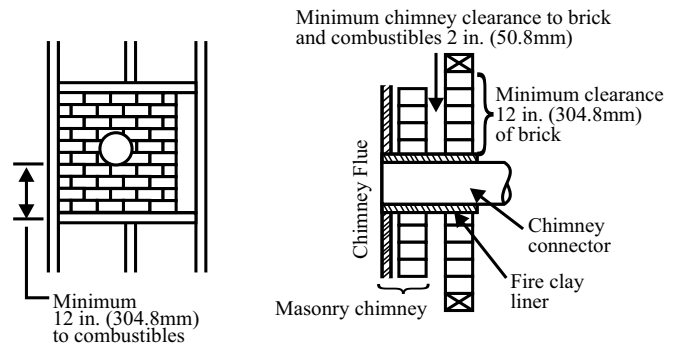
## Factory Built Chimney

When a metal prefabricated chimney is used, the manufacturer's installation instructions must be followed. You must also purchase and install the ceiling support package or wall pass-through and "T" section package, firestops (where needed), insulation shield, roof flashing, chimney cap, etc. Maintain proper clearance to the structure as recommended by the manufacturer. The chimney must be the required height above the roof or other obstructions for safety and proper draft operation. The space heater is to be connected to a factory-built chimney conforming to CAN/ULC-S629, Standard for 650°C Factory-Built Chimneys.

## Combustible Wall Chimney Connector Pass-throughs

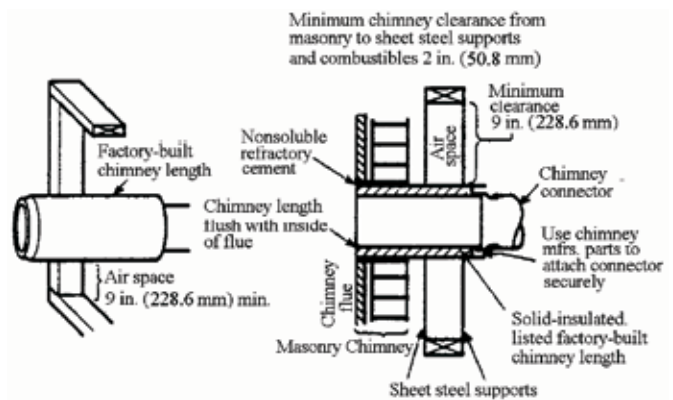
### Method A: 12" (304.8 mm) Clearance to Combustible Wall Member:

Using a minimum thickness 3.5" (89 mm) brick and a 5/8" (15.9 mm) minimum wall thickness clay liner, construct a wall pass-through. The clay liner must conform to ASTM C315 (Standard Specification for Clay Fire Linings) or its equivalent. Keep a minimum of 12" (304.8 mm) of brick masonry between the clay liner and wall combustibles. The clay liner shall run from the brick masonry outer surface to the inner surface of the chimney flue liner but not past the inner surface. Firmly grout or cement the clay liner in place to the chimney flue liner.



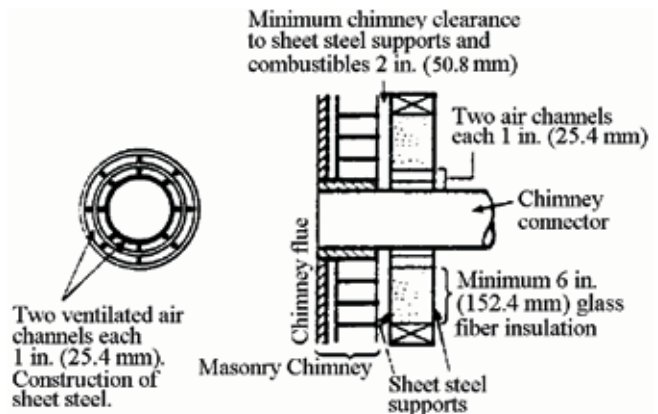
### Method B: 9" (228.6 mm) Clearance to Combustible Wall Member:

Using a 6" (152.4 mm) inside diameter, listed, factory-built Solid-Pak chimney section with insulation of 1" (25.4 mm) or more, build a wall pass-through with a minimum 9" (228.6 mm) air space between the outer wall of the chimney length and wall combustibles. Use sheet metal supports fastened securely to wall surfaces on all sides, to maintain the 9" (228.6 mm) air space. When fastening supports to chimney length, do not penetrate the chimney liner (the inside wall of the Solid-Pak chimney). The inner end of the Solid-Pak chimney section shall be flush with the inside of the masonry chimney flue, and sealed with a non-water soluble refractory cement. Use this cement to also seal to the brick masonry penetration.



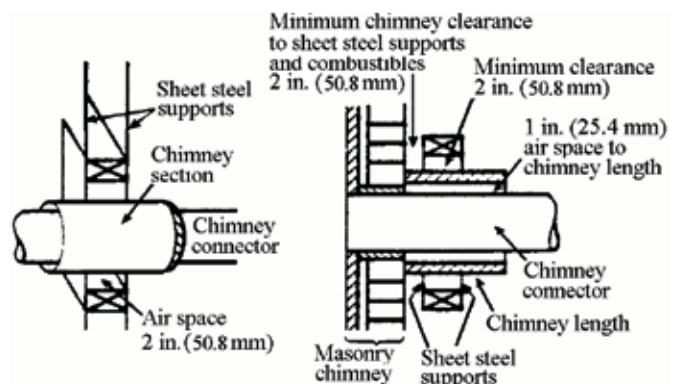
### Method C: 6" (152.4 mm) Clearance to Combustible Wall Member:

Starting with a minimum 24 gage (.024" [.61 mm]) 6" (152.4 mm) metal chimney connector, and a minimum 24 gage ventilated wall thimble which has two air channels of 1" (25.4 mm) each, construct a wall pass-through. There shall be a minimum 6" (152.4 mm) separation area containing fiberglass insulation, from the outer surface of the wall thimble to wall combustibles. Support the wall thimble, and cover its opening with a 24-gage minimum sheet metal support. Maintain the 6" (152.4 mm) space. There should also be a support sized to fit and hold the metal chimney connector. See that the supports are fastened securely to wall surfaces on all sides. Make sure fasteners used to secure the metal chimney connector do not penetrate chimney flue liner.



### Method D: 2" (50.8 mm) Clearance to Combustible Wall Member:

Start with a solid-pak listed factory built chimney section at least 12" (304 mm) long, with insulation of 1" (25.4 mm) or more, and an inside diameter of 6" (2 inches [51 mm] larger than the 6" [152.4 mm] chimney connector). Use this as a pass-through for a minimum 24-gage single wall steel chimney connector. Keep solid-pak section concentric with and spaced 1" (25.4 mm) off the chimney connector by way of sheet metal support plates at both ends of chimney section. Cover opening with and support chimney section on both sides with 24 gage minimum sheet metal supports. See that the supports are fastened securely to wall surfaces on all sides. Make sure fasteners used to secure the metal chimney connector do not penetrate chimney flue liner.



# installation

## Mobile Home Installation (USA only)

**For USA Installations** : see Outside Air Kit - Part # 846-502.

There are further requirements when installing this unit into a mobile home in the US Only.

Once you have properly marked the position of your unit and the floor protection as outlined in the Residential Installation items #1 through #8, a supply of fresh air has to be supplied to your unit.

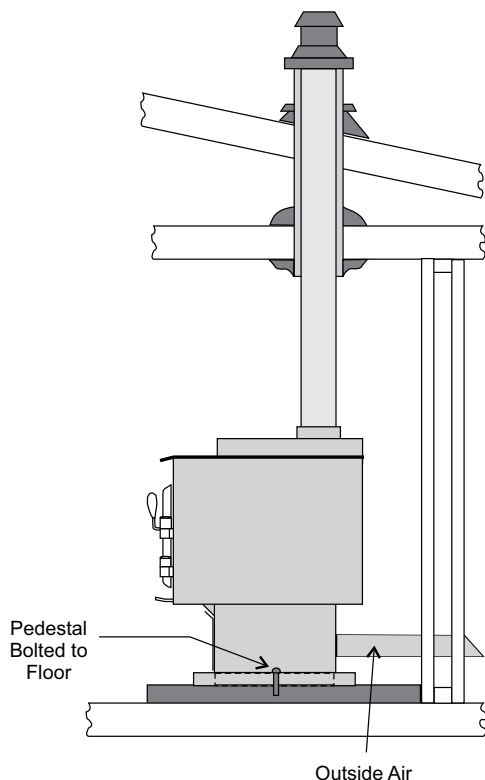
See Optional Outside Air Kit instructions in this manual.

Place your unit in position and secure it to the floor using two lag bolts 3/8" (10mm) x 3-1/2" (89mm) through the two holes inside the pedestal base. It is important to maintain the structural integrity of the Mobile Home floor, walls and roof when installing your unit.

For Mobile Home units installed in the U.S. the unit must be grounded using a #8 ground wire with approved termination and star washer.

**CAUTION: At no time use unlabelled parts, or substitute parts made for another chimney system.**

**Install as per chimney manufacturer's installation instructions.**



**WARNING: Operate only with door fully closed - open feed door to feed fire only.**

1. Identify the position of the outside air damper by the orientation of the metal handle that rests outside the galvanized pipe. The metal handle and the damper disc are in line with each other. This means that if the metal handle is in a horizontal position, the damper is flat and fully open.
2. Open the damper fully whenever you start a fire. This will allow the outside air to be drawn in the pedestal base eliminating any potential smoke escaping the stove and entering the room. (Negative air pressure)

In addition to standard installation instructions the following requirements are mandatory for installation in a mobile home.

1. **The stove must be permanently bolted to the floor of the Mobile Home using the floor screws provided.**
2. The stove must have a permanent outside air source for combustion.
3. The stove must be electrically grounded to the steel chassis of the Mobile Home.
4. A listed double-wall connector chimney system, roof thimble, spark arrestor and roof flashing kit suitable for use in Mobile Homes must be used.
5. If the chimney exits the Mobile Home at a location other than through the roof, and exits at a point 7ft. (2130mm) or less above the ground level on which the Mobile Home is positioned a guard or method of enclosing the chimney shall be fitted at the point of exit for a height up to 7ft. (2130mm).
6. The chimney shall be attached directly to the room heater and shall extend at least 3 ft. (914mm) above the part of the roof through which it passes. The top of the chimney should project at least 2ft. (610mm) above the highest elevation of any part of the Mobile Home within 10 ft. (3048mm) of the chimney.
7. The chimney system shall comply with Local Requirements.
8. Any openings in a chimney guard where required must not permit the entrance of 3/4" (19mm) diameter rod.
9. **CAUTION: THE STRUCTURAL INTEGRITY OF THE MOBILE HOME ROOF, FLOOR, WALLS AND CEILING MUST BE MAINTAINED.**
10. Check any other local building code as other local codes may apply.
11. **WARNING: DO NOT INSTALL IN A SLEEPING ROOM OF A MOBILE HOME.**
12. Use silicone to create an effective vapour barrier at the location where the chimney or other component penetrates to the exterior of the structure.



**TABLE 1**

<b>MINIMUM RECOMMENDED FLUE HEIGHTS IN FEET</b> (Measured from the top of the unit)							
<b>ELEVATION (FT) ABOVE SEA LEVEL</b>	<b># OF ELBOWS</b>						
	0	2 x 15°	4 x 15°	2 x 30°	4 x 30°	2 x 45°	4 x 45°
0-1000	12.0	13.0	14.0	15.0	18.0	16.0	20.0
1000-2000	12.5	13.5	14.5	15.5	19.0	16.5	21.0
2000-3000	13.0	14.0	15.0	16.0	19.5	17.0	21.5
3000-4000	13.5	14.5	15.5	17.0	20.0	18.0	22.5
4000-5000	14.0	15.0	16.0	17.5	21.0	18.5	23.0
5000-6000	14.5	15.5	17.0	18.0	21.5	19.0	24.0
6000-7000	15.0	16.0	17.5	18.5	22.5	20.0	25.0
7000-8000	15.5	16.5	18.0	19.0	23.0	20.5	25.5
8000-9000	16.0	17.0	18.5	20.0	24.0	21.0	26.5
9000-10000	16.5	17.5	19.0	20.5	24.5	22.0	27.0

**NOTE: No more than two offsets (four elbows) allowed. Two 45° elbows equal one 90° elbow.**

**Recommended Heights For Woodstove Flue**

Simple rules on draft. See Table 1.

- 1) At sea level minimum height is 12' straight.
- 2) Add the following vertical height to compensate for:  
 45 deg. elbow = 1 ft.  
 90 deg. elbow = 2 ft.  
 "T" = 3 ft.  
 Each foot of horizontal run = 2 ft.
- 3) Add 4% overall for each 1000' above sea level.

**Example: a)**  
 1-1/2 ft. of horizontal run = 3 ft.  
 one "T" = 3 ft.  
 Total Addition (at sea level) = 6 ft.

**Example: b)**  
 One 90 deg. elbow = 2 ft.  
 2 ft. of horizontal run = 4 ft.  
 one "T" = 3 ft.  
 Total Addition (at sea level) = 9 ft.

Elevation	Example a)	Recommended Flue Height Example b)
0'	18'	21'
1000'	18.72'	21.84'
2000'	19.44'	22.68'
5000'	21.60'	25.20'
8000'	23.76'	27.72'

Draft is the force which moves air from the appliance up through the chimney. The amount of draft in your chimney depends on the length of the chimney, local geography, nearby obstructions and other factors. Too much draft may cause excessive temperatures in the appliance and may cause damage. An uncontrollable burn or excessive temperature indicates excessive draft. Inadequate draft may cause back puffing into the room and plugging of the chimney. Inadequate draft will cause the appliance to leak smoke into the room through appliance and chimney connector joints. Ensure the heater is installed in areas that are not too close to neighbors or in valleys that would cause unhealthy air quality or nuisance conditions.

**WARNING:  
DO NOT INSTALL IN SLEEPING  
ROOM**

**CAUTION: The structural integrity of the mobile home  
floor, wall and ceiling/roof must be maintained.**

# installation

## Optional Outside Air Kit

The Outside Air Kit is an option for Freestanding Stoves. Outside air for combustion can be brought in either through the bottom of the pedestal or through the rear plate of the pedestal.

For both bottom and rear outside air the Pedestal Cover Plate must be installed. Loosen the 4 screws on the rear of the pedestal and slide the cover plate over them. Slide the plate to the left to center it and tighten down the 4 screws.

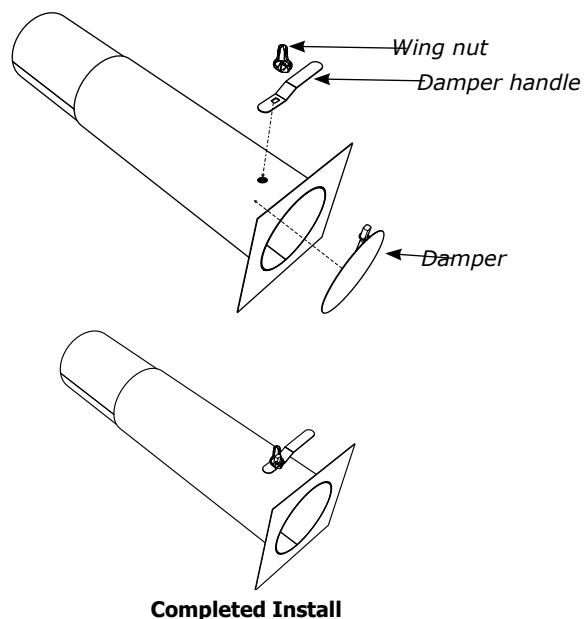
### Damper Installation

**NOTE:** The damper cannot be installed if attaching outside air to the bottom of the appliance.

Supplied damper allows the combustion air to be closed off when unit is not in operation.

Install the damper within the round pipe in an easily accessible location.

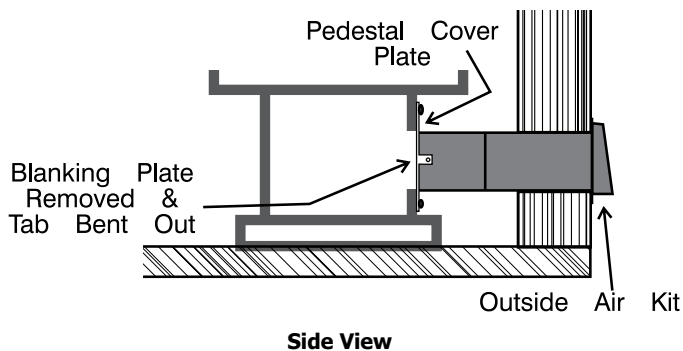
1. Drill a 5/16" (8 mm) hole in the desired location.
2. Insert damper with threaded section out.
3. Install damper handle and secure with wing nut.



### Outside Air Through Pedestal Rear

Remove the blanking plate from the rear of the pedestal and bend the two tabs out 90 degrees. Pipe fresh air into the pedestal area by using a minimum 4" (102 mm) metallic duct pipe with a mesh grill at the outside termination.

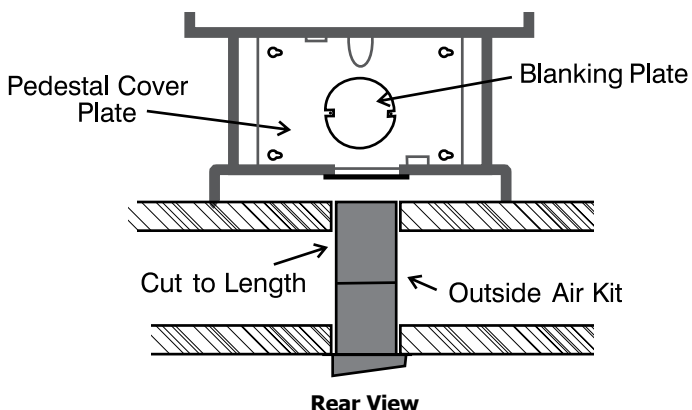
Fasten the pipe to the cover plate using the tabs and 2 screws.



### Outside Air Through Pedestal Bottom

Mark the position of your unit as outlined in the "General Information" and "Clearances to Combustibles" section of the manual. Pipe fresh air into the pedestal area by using a minimum 4" (102 mm) duct pipe with a mesh grill at the outside termination.

In this application, the blanking plate remains. Do not remove.



## Brick Installation

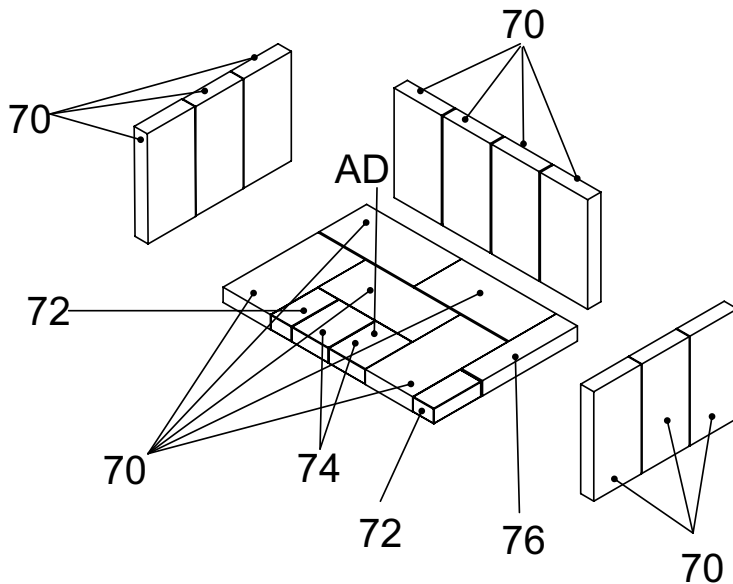
Firebrick is included to extend the life of your stove and radiate heat more evenly. Check to see that all firebricks are in their correct positions and have not become misaligned during shipping. Install all firebricks (if bricks were removed at install) per the diagram below and place in their correct positions. Do not use a grate.



LyTherm sheet

Order of firebrick install:

- a) Rear Firebrick
- b) Firebox floor - install brick over LyoTherm Sheet
- c) Right and left side Firebricks



020-960 Brick Kit Complete	
70)	Brick - Regular Full Size: 1-1/4" x 4-1/2" x 9"
72)	Brick Partial: 1-1/4" x 2" x 4-1/2"
74)	Brick Partial: 1-1/4" x 4-1/2" x 3-1/2"
76)	Brick Partial: 1-1/4" x 2" x 9"
NOTE: This kit contains one spare brick in case of breakage.	

**NOTE:** The "AD" brick covers the Ash Dump hole that is used when the Ash Drawer Kit is installed.

# installation

## Brick Installation

Firebrick is included to extend the life of your stove and radiate heat more evenly. Check to see that all firebricks are in their correct positions and have not become misaligned during shipping.

The "AD" brick in the drawings above is the brick covering the Ash Dump hole that is used when the Ash Drawer Kit is installed (refer to the Listed Components for Mobile Home Installation section).

## Removing Wooden Handle

1. To remove the wooden door handle from unit, firstly locate 7/64" Allen key hole at the bottom of wooden handle.



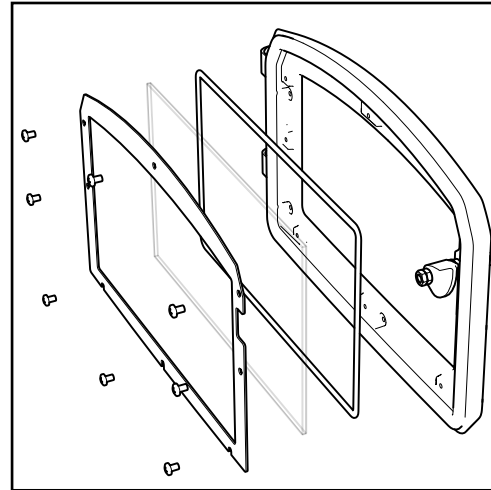
2. Unscrew 7/64" Allen Key screw counterclockwise. Once the screw is completely loose, remove and drop the handle down off the door handle shaft and replace with new handle.



## Glass Installation

Your Regency stove is supplied with 5 mm Neoceram ceramic glass that will withstand the highest heat that your unit will produce. In the event that you break your glass by impact, purchase your replacement from an authorized Regency dealer only.

Remove the door from the stove and remove the screws securing the glass retainer. Position the glass in the door, make sure that the glass gasketing will properly seal your unit, and replace the retainer, it should rest on the gasket not the glass. Tighten securely, but do not wrench down on the glass as this may cause the glass to break.



## Wood Handle & Door Assembly

1. In preparation of installing the door handle, the nuts, cam, washers and spacer must be removed as shown in Diagram 1.

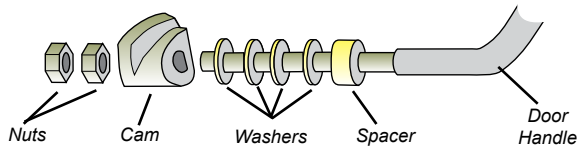


Diagram 1

### LATCH ADJUSTMENT

The door latch may require adjustment as the door gasket material compresses over time. Removal of 1 or 2 washers will allow the latch to move closer to the door frame, causing a tighter seal. (Refer to Diagram 1)

2. Place the door onto the hinges and then place the door handle through the opening on the door, as shown in Diagram 2.

Re-assemble and secure the door handle components in reverse order as removed in step 1, refer to Diagram 1.

3. Put the hinge cover caps on top of hinges to complete the door installation.

**Note:** The bottom of the door may scrape the ashlip. In this case place the spacers provided on the door hinges of the unit before placing the door.

4. Close door and ensure there is a tight seal. If door is too tight, a washer can be added. If the door is not creating a tight seal, a washer can be removed. Recheck door to ensure there is still a tight seal. Repeat steps if door seal is still not tight until a tight seal has been achieved. The handle should be approximately in the 8 o'clock position when door is fully closed. (Diagram 3)

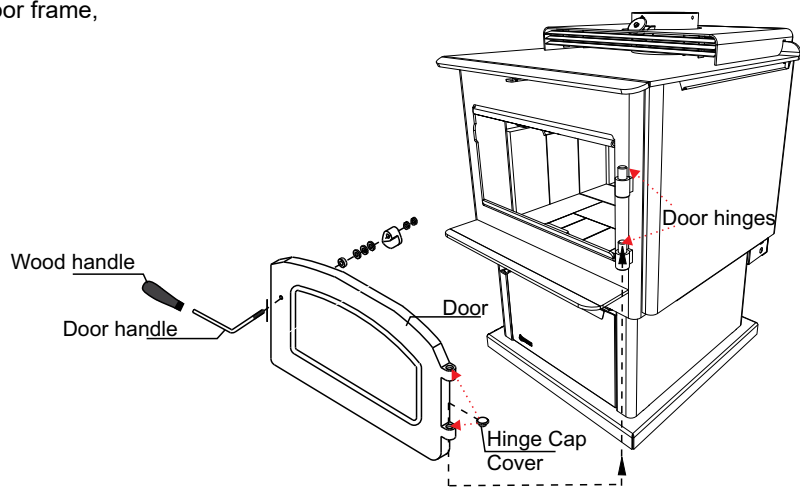


Diagram 2

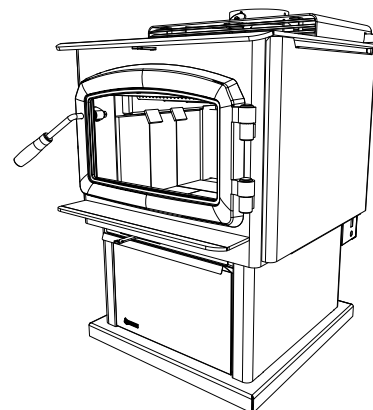


Diagram 3

# installation

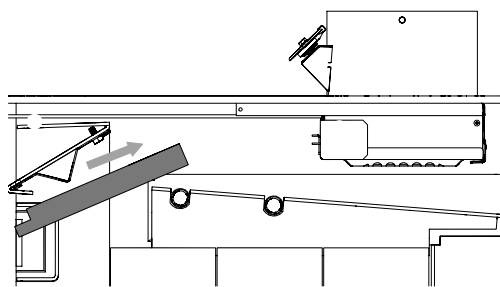
## Flue Baffle & Secondary Air Tube Installation

The flue baffle system located in the upper area of the firebox is removable to make cleaning your chimney system easier. The baffles must be installed prior to your first fire. **Smoke spillage and draft problems may occur if the baffles are improperly positioned.** Check the position of the baffles on a regular basis as they can be dislodged if too much fuel is forced into the firebox.

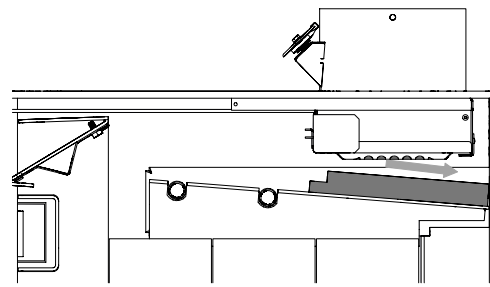
### Freestanding Stove F2500-1

The unit arrives with the 2 baffles on the floor of the firebox.

1. Open the door and slide the baffle over the 2 air tubes towards the back of the unit with the baffle lip facing upward as shown below which will allow second baffle to lock into place for step 2.

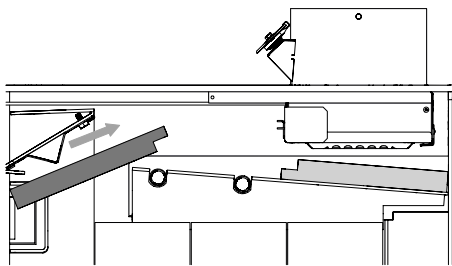


Side View

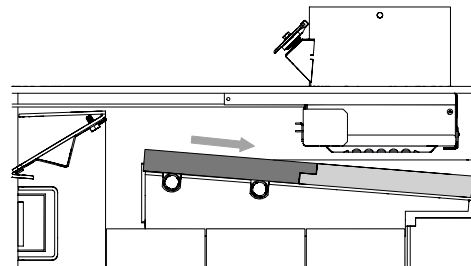


Side View

2. Tilt the second baffle on top of the 2 air tubes and lock it in place with the already placed baffle.

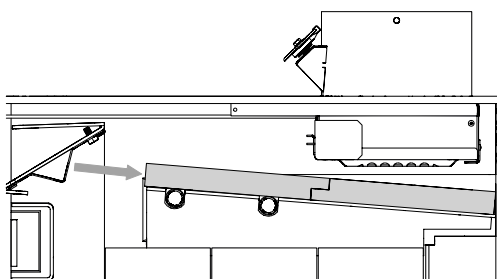


Front View



Front View

**Important:** Push both baffles so they are tight against the back wall.



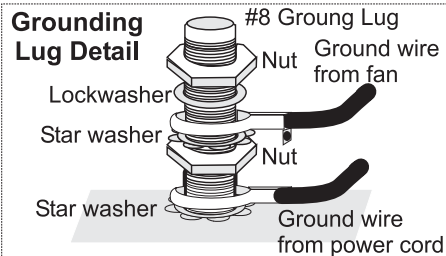
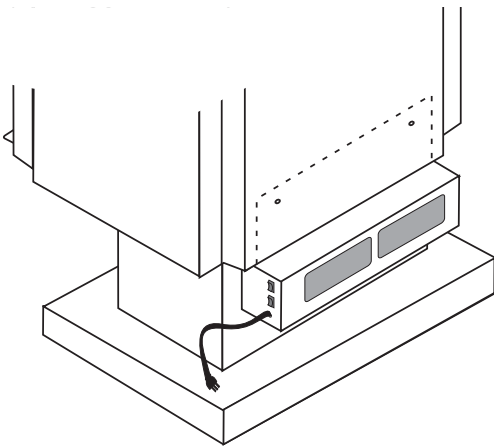
Front View

## Fan Installation

1. Remove the two screws from the top of the fan housing.
2. Slide the fan up into the rear heat shield.
3. After aligning holes, secure the fan to the rear heat shield using the two screws removed earlier.

**Note:** The connection cord should not be in contact with any hot surfaces.

**WARNING: FAN ASSEMBLY MUST BE DISCONNECTED FROM THE SOURCE OF ELECTRICAL SUPPLY BEFORE ATTEMPTING THE INSTALLATION.**



### AUTOMATIC

To operate the fan automatically, push the bottom switch on the side of the fan housing to "AUTO" and the top switch to either "HIGH" or "LOW" for fan speed.

This will allow the fan to turn on as the stove has come up to operating temperature. It will also shut the fan system off after the fire has gone out and the unit cooled to below a useful heat output range.

If the fan cycles on and off continuously the thermo switch sensor is not making contact with the stove body. Remove the fan, bend the bracket closer to the stove and re-install the fan.

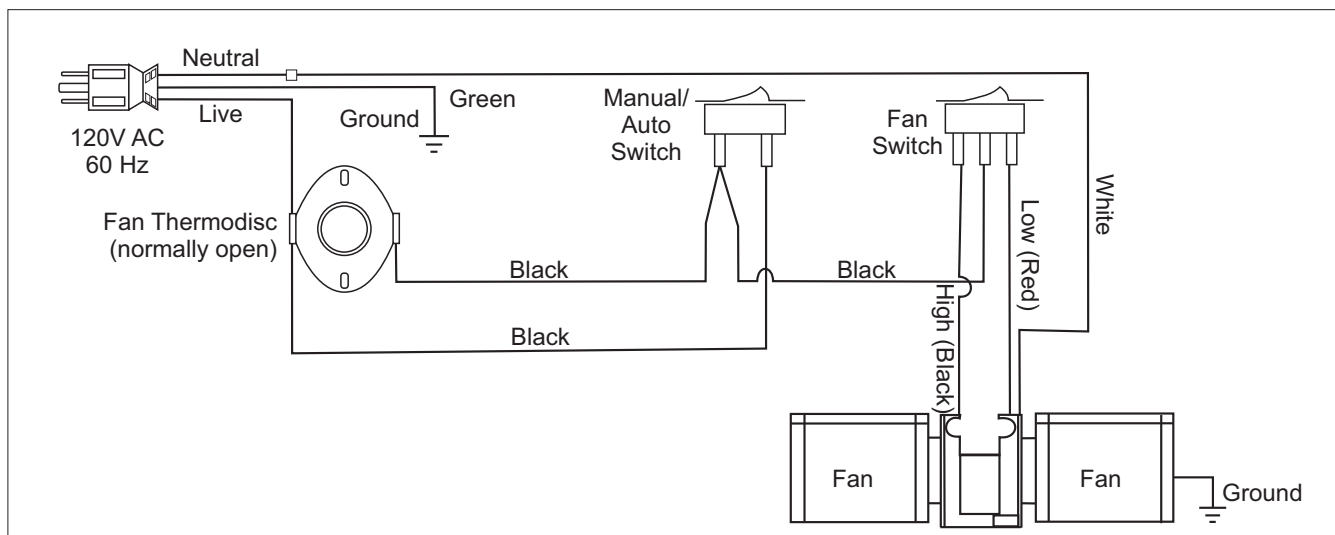
### MANUAL

To manually operate the fan system push the bottom switch to "MAN" and the top switch to either "HIGH" or "LOW". This will bypass the sensing device and allow full control of the fan.

Switching from "AUTO" to "MAN" or "HIGH" to "LOW" may be done anytime.

**WARNING: Electrical Grounding Instructions**  
This appliance is equipped with a three pronged (grounding) plug for your protection against shock hazard and should be plugged directly into a properly grounded three-prong receptacle. Do not cut or remove the grounding prong from this plug.

**CAUTION: Label all wires prior to disconnection when servicing controls. Wiring errors can cause improper and dangerous operation.**

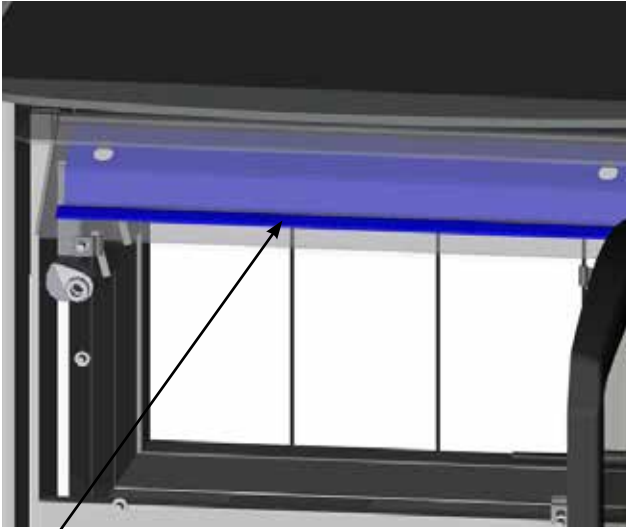


Wiring Diagram

# installation

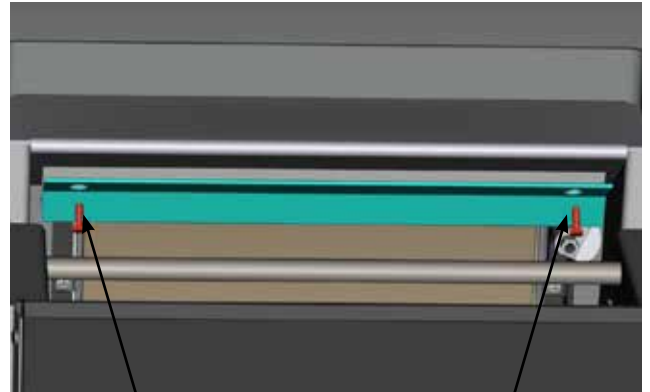
## Stainless Steel Smoke Deflector Installation

The stainless smoke deflector is located in the upper front area of the firebox. The deflector is held in place with 2 bolts. Prior to the first fire, ensure deflector is seated properly and secured with 2 hand tightened bolts.



Smoke deflector

Smoke deflector is installed through the door opening in location shown in diagram



Smoke deflector installed with 2 bolts.

**Note:** This is a view from the back of the unit through the top.

To replace the deflector, loosen off both bolts and slide deflector upward and out. Install new deflector and hand tighten bolts. Ensure positive location of the deflector prior to hand tightening.

**WARNING:** Operation of the unit with out proper installation of smoke deflector will void warranty.



Ensure deflector is seated so bolts are situated at the top of the keyhole before tightening.



## Seasoned Firewood

Whether you burn wood in a fireplace, stove or insert, good quality firewood is the key to convenience, efficiency and safety. Wet wood and pieces that are not the right size and shape for your wood burner can be frustrating, burn inefficiently and deposit creosote that can fuel a dangerous chimney fire. Good planning, seasoning and storage of the firewood supply are essential to successful wood burning.

- Stack the wood in separate rows in an open location where the summer sun can warm it and breezes can carry away the moisture. Do not stack unseasoned wood tightly in an unvented storage area.
- Do not allow firewood to lie on the ground for more than a couple of days before stacking. Mould and rot can set in quickly.
- Stack the wood up off the ground on poles, lumber rails or pallets.
- The top of the pile can be covered to keep off rain, but do not cover the sides.

Softer woods like pine, spruce and poplar/aspens that is cut, split and stacked properly in the early spring may be ready for burning in the fall. Extremely hard woods like oak and maple, and large pieces of firewood, may take a minimum of a full year to dry enough. Drying may also take longer in damp climates.

There are a few ways to tell if wood is dry enough to burn efficiently. Use as many indicators as possible to judge the dryness of the firewood you are considering. Here are ways to judge firewood moisture.

- Using a moisture meter, select the species of fuel and then penetrate the pins into a split piece. Ideal moisture and seasoned firewood should be less than 20% moisture content.
- Checks or cracks in the end grain can be an indication of dryness, but may not be a reliable indicator. Some wet wood has checks and some dry wood has no checks.
- The wood tends to darken from white or cream colour to grey or yellow as it dries.
- Two dry pieces banged together sound hollow; wet pieces sound solid and dull.
- Dry wood weighs much less than wet wood.
- Split a piece of wood. If the exposed surface feels damp, the wood is too wet to burn.

## Operating Instructions

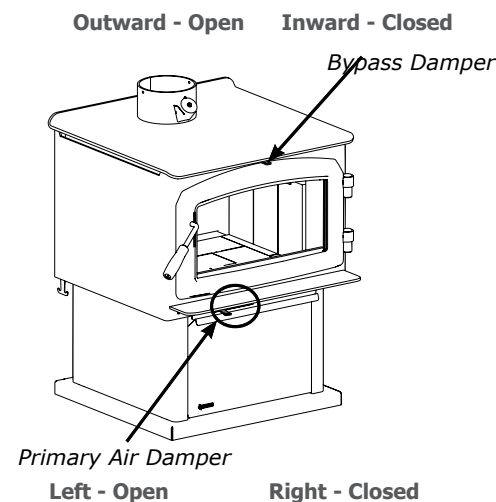
With your unit now correctly installed and safety inspected by your local authority, you are now ready to start a fire. Before establishing your first fire, it is important that you fully understand the operation of your Catalytic combustor and draft control.

**WARNING**  
**Fireplace stoves equipped with doors should be operated only with doors fully closed. If doors are left partly open, gas and flame may be drawn out of the fireplace stove opening, creating risks from both fire and smoke.**

## Draft Control

Both the primary and air wash drafts are controlled by the control slide located on the front left side of the unit, below the ashlip (when facing the unit). To increase your draft - slide to the left to open, and to decrease - slide to the right to close. The F2500-1 unit has a secondary draft system that continually allows combustion air to the induction ports at the top of the firebox (see catalytic combustor instructions in this manual).

Draft is the force which moves air from the appliance up through the chimney. The amount of draft in your chimney depends on the length of the chimney, local geography, nearby obstructions and other factors. Too much draft may cause excessive temperatures in the appliance and may damage the catalytic combustor. Inadequate draft may cause back puffing into the room and plugging of the chimney or catalyst.

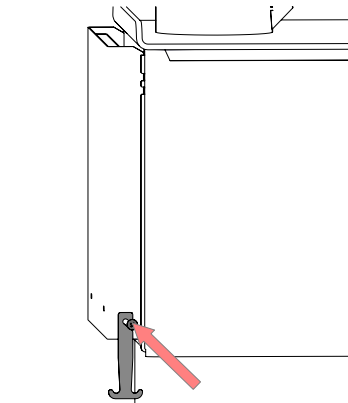


**WARNING: To build a fire in ignorance or to disregard the information contained in this section can cause serious permanent damage to the unit and void your warranty!!**

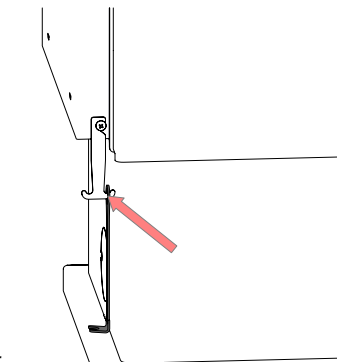
## Bypass Operating Handle

The F2500-1 is supplied with an air and bypass operating handle. The handle is used to open and close the by-pass and to adjust the air control for the desired heat output.

Install the operating handle storage bracket on the bottom right or left side screw that secures the side shield.

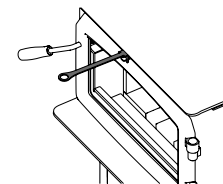


Loosen screw and insert storage bracket.

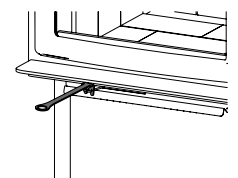


Hang operating handle after use

Using the operating handle:



Bypass located above door



Air control for heat output located below ashlip

# operating instructions

## First Fire

When your installation is completed and inspected you are ready for your first fire.

**THIS UNIT IS DESIGNED TO BURN SEASONED CORDWOOD ONLY. COAL, BRIQUETTES AND ALL OTHERS LISTED ON PAGE 2 ARE NOT APPROVED. SEASONED CORDWOOD SHOULD BE LESS THAN 20% MOISTURE CONTENT.**

### START UP AND OPERATING PROCEDURES:

1. For the first few days, the wood stove will give off an odour from the paint. This is to be expected as the high temperature paint becomes seasoned. Windows and/or doors should be left open to provide adequate ventilation while this temporary condition exists. Burning the wood stove at a very high temperature the first few times may damage the paint. During the first few fires, keep the combustion rate at a moderate level and avoid a large fire. Only after 5 or 6 such fires can you operate the wood stove at its maximum setting, and only after the metal has been warmed.
2. Do not place anything on the wood stove top during the curing process. This may result in damage to your paint finish.
3. When starting the fire, ensure the bypass is in the fully open position (pulled out) and air control is in the fully open position (far left). To start a good and clean fire you will need approx. 3 to 4 lb kindling and 2 loads of start up fuel weighing approximately 4 lb each, wood split slightly larger than kindling, approx. 2 inches thick.  
Load 5-6 pieces of crumpled paper in the center of the firebox and the kindling on top, stacked in a manner that allows air flow on the firebrick hearth (Tee pee style or other). **DO NOT USE A GRATE TO ELEVATE THE FIRE.**  
Light crumpled newspaper and leave the door cracked approx. 1 in to establish fire and for less smoke roll out. Keep the door in that position for approx. 4 minutes to establish a good fire. Once the door is closed, close the bypass.
4. Once most of the kindling has burned down but there are still flames, load the first load of start up on top. When a good fire is established close the door to keep the catalyst from cooling down.
5. While there are still flames, add the remainder of the start up fuel more to the back of the firebox. Close the door right away after loading.  
**NOTE:** These steps are crucial to ensure proper charcoaling and coal bed prior to loading High, Med and Low fire loads.
6. Once a nice coal bed is established and there are still good sized flames, open the door and the bypass, and rake the coals to create a uniform charcoal bed. Load 5 pieces of 16" long cord wood, front to back, North/South orientation. Once loaded, and strong flames are established, close the door and the bypass. Burn on high setting (air control to the far left when facing the unit) for 10-15 minutes.  
After the 10-15 minutes, adjust the air control to your desired position.  
After 20 minutes, the fan can be turned on.  
High Fire: Air control to far left.  
Low Fire: Air control to far right.

Med Low Fire: Air control slightly left of low fire setting.

Med High fire: Approx. 1" from low air setting. For low and medium fire, adjust the air gradually from high to the desired position.

7. **IMPORTANT:** The temperature in the wood stove and the gases entering the combustor must reach between 500°F - 700°F for catalytic activity to start. From the start up of a cold wood stove, a medium to high firing rate must be maintained for 30 min. This ensures that the wood stove, catalyst and fuel are all stabilized at proper operating temperatures. Even though it is possible to have temperatures at 600°F within minutes after a fire has been started, if the fire is allowed to die down immediately it may go out or the combustor may stop working. Once the combustor starts working, heat generated in it by burning the smoke will keep it working. During re-fueling and rekindling of the cool fire, or a fire that has burned down to the charcoal phase, operate the wood stove at a medium to high firing rate for about 10 minutes to ensure that the catalyst reaches operating temperatures.

**WARNING: Never build a roaring fire in a cold wood stove. Always warm your wood stove up slowly!**

8. When re-fueling, always open bypass control, and primary air damper, load fuel, then wait for at least 10-15 minutes before closing the by-pass. Reason for the 10-15 min. is the fresh fuel and the opening of the door will cause the catalyst to drop in temperature as well as the moisture within the wood which is the first thing to be released. This will also minimize any smoking (spilling) back into the room.
9. During the first few days it may be more difficult to start the fire. As you dry out your firebrick and your masonry flue, your draft will increase.
10. For those units installed at higher elevations or into sub-standard masonry fireplaces, drafting problems may occur. Consult an experienced dealer or mason on methods of increasing your draft.
11. Some cracking and popping noises may be experienced during the heating up process. These noises will be minimal when your unit reaches temperature.
12. All fuel burning appliances consume oxygen during operation. It is important that you supply a source of fresh air to your unit while burning. A slightly opened window is sufficient for the purpose. If you also have another fireplace in your home, a downdraft may be created by your Regency wood stove causing a draft down your chimney. If this occurs, slightly open a window near your unit.

**CAUTION: If the body of your wood stove, or any part of the chimney connector starts to glow, you are over firing. Stop loading fuel immediately and close the draft control until the glow has completely subsided.**

13. Green or wet wood is not recommended for your unit. If you must add wet or green fuel,

open the draft control fully until all moisture has been dispersed by the intense fire. Once all moisture has been removed, the draft control may be adjusted to maintain the fire.

14. If you have been burning your stove on a low draft, use caution when opening the door. After opening the damper, open the door a crack, and allow the fire to adjust before fully opening the door.
15. The controls of your unit or the air supply passages should not be altered to increase firing for any reason.
16. If you burn the unit too slowly or at a too low setting your unit will not be operating as efficiently as it can. An easy rule of thumb says that if your glass is clean, catalytic thermostat is active, then your flue is clean and your exhaust is clean. Burn the stove hot enough to keep your glass clean and catalytic combustor, you won't need to clean your flue as often.

**HOT WHILE IN OPERATION. KEEP CHILDREN, CLOTHING AND FURNITURE AWAY. CONTACT MAY CAUSE SKIN BURNS.**

**NOTE: Always stir the coal approximately half way through a burn cycle to ensure proper charcoaling.**

**CAUTION: Do not build the fire too close to the glass, unless/otherwise specified.**

How to Light and Maintain a Wood Stove Fire



## Fan Operation

The fan unit must not be turned on until a fire has been burning for at least 20 minutes and the unit is hot enough. As well, after each fuel loading the fan must be shut off until 20 minutes has elapsed. To operate fan automatically, push switch on side of fan housing to "Auto" and second switch to either "High" or "Low" for fan speed. The automatic temperature sensor will engage the blower when the unit is at temperature and will shut off the blower once the fire has gone out and the unit has cooled to below a useful heat output range.

To manually operate the fan system, push the first switch to "Man" and second switch to either "high" or "Low". This will bypass the sensing device and allow full control of the fan. Switching from "Auto" to "Manual" or "High" to "Low" may be done at any time.

For low and medium low burn operate the fan on low speed and for medium high and high burn operate the fan on high speed.

## Ash Disposal

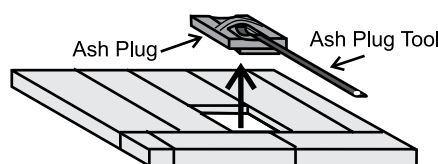
During constant use, ashes should be removed every few days. The Ash Drawer option features a convenient ash dump for easy removal of ash, refer to Modular Installation Options section.

## Safety Precautions

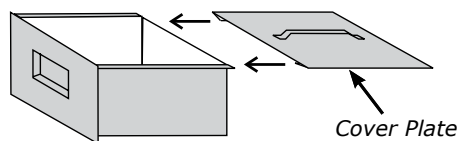
1. Do not allow ashes to build up to the loading doors! Only remove ashes when the fire has died down. Even then, expect to find a few hot embers.
2. Please take care to prevent the build-up of ash around the start-up air housing located inside the stove box, under the loading door lip.
3. Never start a fire if the ash plug and ash drawer are not in place. This will cause over firing which can cause excessive warping of the stove. Evidence of over firing can void the warranty on your stove.
4. The firebricks are brittle and can be damaged if the plug is replaced carelessly or pieces that are too large are forced through the hole.

## Ash Drawer Operating Guidelines

1. Only clean ashes out of the stove when the unit has cooled down. Remove the plug by lifting on the handle using the tool provided. The plug may still be warm, use caution. Push the ashes down the hole into the ash drawer, the large pieces can be left in the firebox and burned during the next fire or removed through the door opening.
2. Always leave 1/2 to 1 inch of ash in the bottom of the firebox. This helps in easier starting and a more uniform burn of your fire. Replace ash plug when ashes have been removed.



3. **Pedestal/Bottom Heat Shield Units:** To remove the drawer, lift slightly and slide it out. When the drawer is completely out, slide the cover plate (Only available on pedestal units) over the ash drawer and carry away.



**CAUTION: HOT WHILE IN OPERATION. KEEP CHILDREN, CLOTHING AND FURNITURE AWAY. CONTACT MAY CAUSE SKIN BURNS.**

4. When emptying the ash drawer, make sure the ashes are cold. Ashes should be placed in a metal container with a tight fitting lid. The closed container of ashes should be placed on a non-combustible floor or on the ground, well away from all combustible materials, pending final disposal. If the ashes are disposed of by burial in soil or otherwise locally dispersed, they should be retained in the closed container until all cinders have thoroughly cooled. Other waste should not be placed in the ash container.
5. Before putting the ash drawer back into place, make sure the ash plug is back in place.

Pedestal Units: make sure the cover lid is off.

## Safety Guidelines and Warnings

**CAUTION: do not use chemicals or fluids to start fire.**

1. **CAUTION:** Never use gasoline, gasoline type lantern fuels, kerosene, charcoal lighter fuel, or similar liquids to start or 'freshen up' a fire in your heater. Keep all such liquids well away from the heater while it is in use.
2. Keep the door closed during operation and maintain all seals in good condition.
3. Do not burn any quantities of paper, garbage, and never burn flammable fluids such as gasoline, naphtha or engine oil in your stove.
4. Do not store solid fuels by the appliance.
5. If you have smoke detectors, prevent smoke spillage as this may set off a false alarm.
6. Do not overfire heater. If the chimney connector, flue baffle or the stove top begin to glow, you are over firing. Stop adding fuel and close the draft control. Over firing can cause extensive damage to your stove including warping and premature steel corrosion. Over firing will void your warranty.
7. Do not permit creosote or soot build-up in the chimney system. Check and clean chimney at regular intervals. Failure to do so can result in a serious chimney fire.
8. Your Regency stove can be very hot. You may be seriously burned if you touch the stove while it is operating, keep children, clothing and furniture away. Warn children of the burn hazard.
9. The stove consumes air while operating, provide adequate ventilation with an air duct or open a window while the stove is in use.
10. Do not connect this unit to a chimney flue serving another appliance.
11. Do not use grates or andirons or other methods for supporting fuel. Burn directly on the bricks.
12. Open the draft control fully for 10 to 15 seconds prior to slowly opening the door when refuelling the fire.
13. Do not connect your unit to any air distribution duct.
14. This heater is designed to burn natural wood only. Higher efficiencies and lower emissions generally result when burning air dried seasoned hardwoods, as compared to softwoods or to green or freshly cut hardwoods.

# maintenance

## DO NOT BURN:

- Treated wood
- Coal
- Garbage
- Cardboard
- Solvents
- Colored Paper
- Trash
- Salt drift wood
- Cut lumber, plywood, mill ends
- Bio bricks

Burning treated wood, garbage, solvents, colored paper or trash may result in release of toxic fumes and may poison or render ineffective the catalytic combustor. Burning coal, cardboard, or loose paper can produce soot, or large flakes of char or fly ash that can coat the combustor, causing smoke spillage into the room, and rendering the combustor ineffective.

- CAUTION: Do not store fuel within space heater installation clearances or within the space required for charging and ash removal.**
- Do not place wood, paper, furniture, drapes or other combustibles near the appliance.
- WARNING: Do not operate without either the Ash Plug properly seated or the Ash Dump Plates screwed in place, excessive temperatures will result.**
- CAUTION: Do not operate with cracked/ broken, plugged, or glazing catalyst.**

**IMPORTANT: It is against federal regulation to operate this wood heater in a manner inconsistent with operating instructions in this manual, or if the catalytic element is deactivated or removed.**

**CAUTION: DO NOT BURN GARBAGE OR FLAMMABLE LIQUIDS SUCH AS GASOLINE, NAPHTHA OR ENGINE OIL. SOME FUELS COULD GENERATE CARBON MONOXIDE AND ARE VERY DANGEROUS.**

**CAUTION: DO NOT CONNECT TO, OR USE IN CONJUNCTION WITH ANY AIR DISTRIBUTION DUCT WORK UNLESS SPECIFICALLY APPROVED FOR SUCH INSTALLATION.**

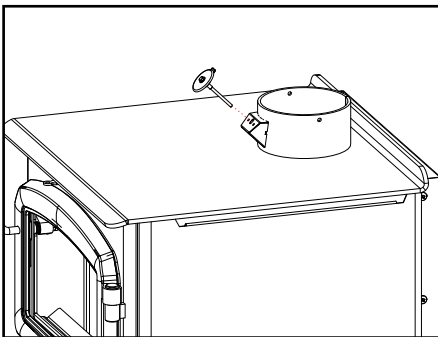
Troubleshooting Guide		
PROBLEM	POSSIBLE CAUSE	SOLUTION
Crumbling Substrate	Extreme Thermal Shock Refueling with Wet Wood High Draft	Bypass combustor when the stove is running Use seasoned, dried wood. Do not exceed .06" of water draft. Install a manual damper and draft gauge or a barometric damper.
Fly-Ash Build-up <b>Fly-Ash Masking</b> <b>Fly-ash Plugging</b>	Combustor has not maintained light-off temperature. Combustor has not maintained light-off temperature. <b>Burning materials that produce a lot of char and fly-ash.</b> <b>Closing the bypass too soon</b>	Brush cold combustor with a soft bristled brush or vacuum lightly.  Brush cold combustor with a soft bristled brush or vacuum lightly.  Do not burn cardboard, gift wrap or garbage. Follow instructions for proper light-off.
Thermal Cracking	Uneven temperatures, flame impingement and heat spikes.	If cracking causes large pieces to fall out, replace combustor.
Mechanical Cracks	Combustor mishandled or abused. Distortion of combustor holder.	Handle combustor with care. Replace if necessary. Replace combustor if large pieces are missing, replace any warped stove parts as well.
Plugging (Creosote)	Burning wet, pitchy woods or burning large loads of small diameter wood with the combustor in the operating position without light-off ever occurring.	Burn dried seasoned wood. Make sure combustor has light-off before closing the bypass damper. It may be possible to burn off the soot or creosote accumulation by putting the combustor in a partially open and partially closed position after a hot fire has been started.
Masking (Soot)	Combustor has not maintained a light-off.  Burning coal will cause a sulfur-based compound to coat the catalyst.	Place combustor in a partially open position after a hot fire has been started to burn off the soot accumulation.  Revert to burning wood and fire the combustor to elevated temperatures for one hour.

## Maintenance

It is very important to carefully maintain your fireplace stove, including burning seasoned wood and maintaining a clean stove and chimney system. Have the chimney cleaned before the burning season and as necessary during the season, as creosote deposits may build up rapidly. Moving parts of your stove require no lubrication.

## Thermometer

The catalyst thermometer is only an indication of the flue gas temperature as they pass through the catalyst. The thermostat probe that is inserted into the opening in front of the flue collar, must be cleaned at least once a year. Use 220 sand paper to clean probe.



## Creosote

When wood is burned slowly, it produces tar and other organic vapours combine with moisture to form creosote. The creosote vapours condense in the relatively cool chimney flue of a slow burning fire. As a result, creosote residue accumulates on the flue lining. When ignited, this creosote can result in an extremely hot fire.

Inspect and clean chimney frequently, as under certain conditions of use, creosote buildup may occur rapidly.

The chimney connector and chimney should be inspected at least once every two months during the heating season to determine if creosote build up has occurred. If creosote has accumulated it should be removed to reduce the risk of chimney fire.

### **CAUTION: Things to remember in case of a chimney fire:**

- 1. Close all draft and damper controls.**
- 2. CALL THE FIRE DEPARTMENT.**

### **Ways to Prevent and Keep Unit Free of Creosote**

1. Burn stove with the draft control wide open for about 10-15 minutes every morning during burning season.
2. Burn stove with draft control wide open for about 10 - 15 minutes every time you apply fresh wood. This allows the wood to achieve the charcoal stage faster and burns up any unburned gas vapours which might otherwise be deposited within the system.
3. Only burn seasoned wood! Avoid burning wet or green wood. Seasoned wood has been dried at least one year.
4. A small hot fire is preferable to a large smouldering one that can deposit creosote within the system.
5. Establish a routine for the fuel, wood burner and firing technique. Check daily for creosote buildup.
6. The chimney and chimney connector should be inspected at least once every two months during the heating season to determine if a creosote buildup has occurred.
7. **Have chimney system and unit cleaned by competent chimney sweeps twice a year during the first year of use and at least once a year thereafter or when a significant layer of creosote has accumulated (3 mm/1/8" or more) it should be removed to reduce the risk of a chimney fire.**

## Door Gasket

If the door gasket requires replacement 7/8" diameter material must be used. Regency uses a 7/8" gasket rope (Part #846-570). A proper high temperature gasket adhesive is required. See your Regency Dealer.

## Glass Maintenance

Your Regency stove is supplied with 5mm Neoceram ceramic glass (Part #846-308) that will withstand the highest heat that your unit will produce. In the event that you break your glass by impact, purchase your replacement from an authorized Regency dealer only, and follow our step-by-step instructions for replacement (refer to Glass Replacement section).

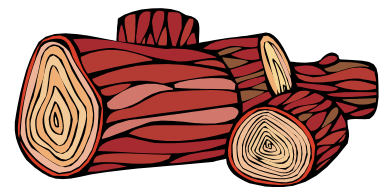
Note that the replacement glass includes the glass gasket.

Allow the stove to cool down before cleaning the glass. Cleaning the glass will prevent build up of carbon and allow full view of the fire.

- WARNING:** Do not clean the glass when it is hot.
- WARNING:** Do not use abrasive cleaners, a damp cloth and glass cleaner is effective.
- WARNING:** Do not use substitute materials.
- WARNING:** Do not abuse the glass door, such as striking of slamming shut.
- WARNING:** Do not operate with broken glass.

## Wood Storage

Store wood under cover, such as in a shed, or covered with a tarp, plastic, tar paper, sheets of scrap plywood, etc., as uncovered wood can absorb water from rain or snow, delaying the seasoning process.



## Catalytic Combustor Part# 022-040

### ACHIEVING AND MAINTAINING CATALYST LIGHT-OFF:

The temperature in the stove and the gases entering the combustor must be raised to between 500°F (260°C) to 700°F (371°C) for catalytic activity to be initiated. During the start up of a cold stove a medium to high firing rate must be maintained for about 30 minutes. This ensures that the stove, catalyst and fuel are all stabilized at proper operating temperatures. Even though it is possible to have temperatures at 600°F (316°C) within minutes after a fire has been started, if the fire is allowed to die down immediately it may go out or the combustor may stop working. Once the combustor starts working, heat generated in it by burning the smoke will keep it working. During re-fueling and rekindling of the cool fire, or a fire that has burned down to the charcoal phase, operate the stove at a medium to high firing rate for about 10 minutes to ensure that the catalyst reaches operating temperatures.

**CATALYST MONITORING:** It is important to periodically monitor the operation of the catalytic combustor to ensure that it is functioning properly and to determine when it needs to be replaced. A non-functioning combustor will result in a loss of heating efficiency, and an increase in creosote and emissions. Following is a list of items that should be checked on a periodic basis.

- Combustors should be visually inspected at least three times during the heating season to determine if physical degradation has occurred. Actual removal of the combustor is not recommended unless more detailed inspection is warranted because of decreased performance. If any of these conditions exist, refer to Catalyst trouble shooting section of this owner’s manual.
- A good combustor is designed to withstand approximately 12,000 hours of continuous use. This will translate into five to ten years of use, depending on the length of your heating season and how often you use your stove. Proper maintenance will increase the combustor’s effectiveness and prevent many problems. Inspect your combustor before each heating season, and during the season if your stove’s performance seems to change.
- This catalytic heater is equipped with a temperature probe to monitor catalyst operation. Properly functioning combustors typically maintain temperatures in excess of 500F and often reach temperatures in excess of 1000F. If catalyst temperatures are not in within, refer to Catalyst trouble shooting section of this manual.
- You can get an indication of whether the catalyst is working by comparing the amount of smoke leaving the chimney when the smoke is going through the combustor and catalyst light – off has been achieved, to the amount of smoke leaving the chimney when the smoke is not routed (by-pass open) through the combustor.

**Step 1:** Light the stove in accordance with instructions within this manual.

**Step 2:** With smoke routed through the catalyst (by-pass closed) go outside and observe the emissions leaving the chimney.

**Step 3:** Engage the bypass mechanism and move to by-pass open position. And again observe the emission leaving the chimney. Significantly more smoke should be seen when the smoke is not routed through the combustor (by-pass open). Be careful not to confuse smoke with steam.

**ACHIEVING PROPER DRAFT:** Draft is the force which moves air from the appliance up through the chimney. The amount of draft in your chimney depends on the length of the chimney, local geography, nearby obstructions and other factors. Too much draft may cause excessive temperatures in the appliance and may damage the catalytic combustor. Inadequate draft may cause back puffing into the room and plugging of the chimney or catalyst.

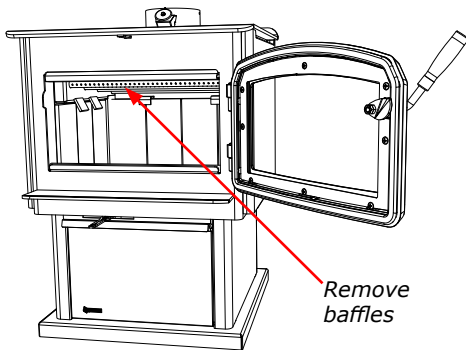
### CATALYTIC COMBUSTOR CLEANING:

<b>Method #1</b>
A vacuum cleaner may be used, but <b>never use high pressured air</b> to blow the cells free of any build-up. This can damage the cell walls. Any cell blockage can be removed with the use of a pipe cleaner or a cotton swab as well.
<b>Method #2</b>
Should the combustor’s cells become covered with fly-ash, use a paint-brush or soft-bristled brush and dust the combustor gently. Never use anything abrasive to clean the combustor.
<b>Method #3</b>
Normally the catalytic combustor requires little or no maintenance, it generates such high temperatures and therefore is basically self-cleaning. However, should the combustor become covered with soot or creosote, it is possible to burn the accumulation off by opening the bypass and building a hot fire. Once the hot fire is created, close the bypass halfway and burn for 30 to 60 minutes with the bypass left in this position. <b>Never use cleaning solvents to clean it.</b> Check and clean the combustor, if necessary, before each burning season and inspect the flue system for any signs of creosote buildup.
A clean flue helps prevent chimney flue fires.

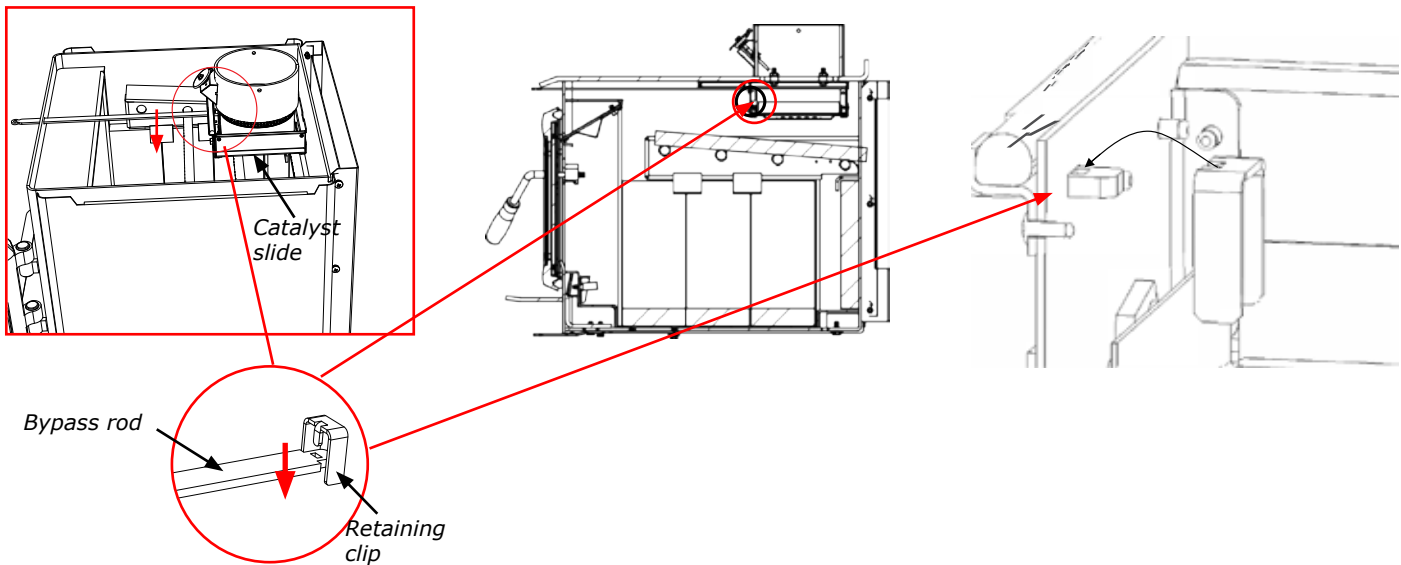
## **Bypass Rod Replacement**

If the bypass rod becomes damaged it will need to be replaced.

1. Allow the stove to burn out and cool down, until cool to touch.
2. Open the door and remove the baffles and catalyst from inside the unit. See sections in this manual for details.



3. From inside the unit, manoeuvre and slightly pull down on the bypass rod to release it from its retaining clip. This could also be removed by hand if reaching up into the catalyst slide and lifting up on the retaining clip.



4. Slide bypass rod out.
5. Replace with a new bypass rod.
6. Reverse Steps 3 and 2.

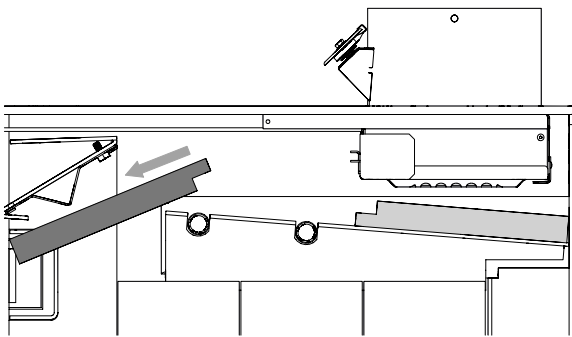
# maintenance

## Combustor Assembly Removal/Replacement

The catalytic thermometer on top of the stove should read in the active zone after the stove has been in operation for several hours. If the thermometer's indicator needle does not stay in the active zone, even with a hot fire, over a period of regular use, the catalyst may need to be cleaned. If this persists it may be necessary to replace it.

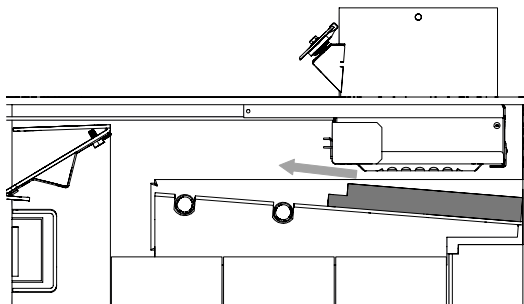
If the combustor must be examined or replaced, follow this procedure:

1. Allow the stove to burn out and cool down.
2. Remove baffles - Tilt the front baffle forward and carefully slide it out of the unit.



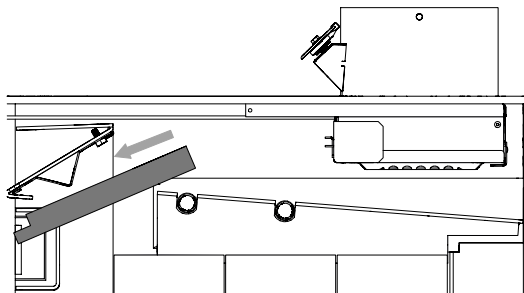
Front View

3. Slide the back baffle to the front of the unit.



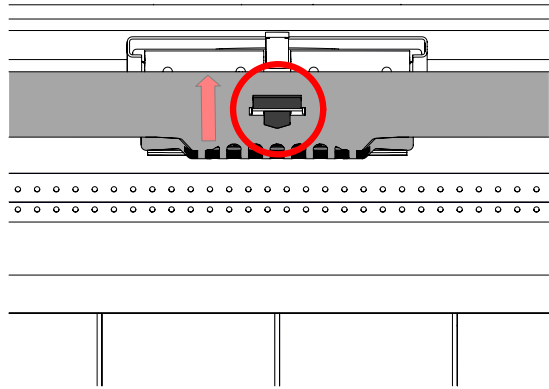
Front View

4. Tilt the second baffle forward and carefully slide it out of the unit in the same manner as step 2.

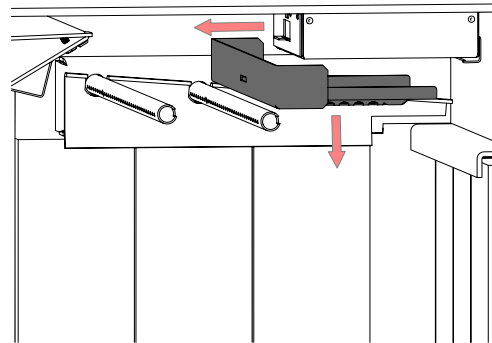


Side View

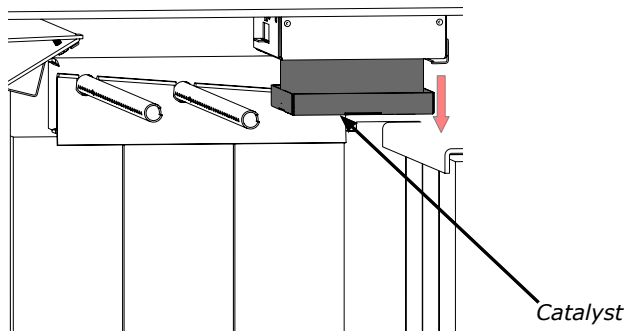
5. Remove locking clip from the front face of the Catalyst assembly by sliding up and out.



6. Pull the flame shield forward and tilt down, be prepared to support catalyst assembly.



7. Pull down catalyst assembly to remove.



8. Reverse steps to reinstall catalyst.

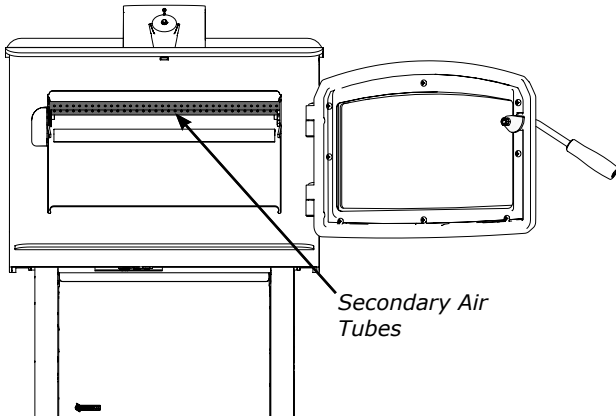


**NOTE:** Replacement combustors can be retrieved from Applied Ceramics or contact your local Regency Dealer—see warranty information at the back of this manual for details.

**DO NOT OPERATE THE APPLIANCE IF COMBUSTOR BECOMES INACTIVE - DO NOT OPERATE WITHOUT COMBUSTOR.**

## Secondary Air Tube Removal/Installation

1. Allow the stove to burn out and cool down, until cool to touch.
2. Open stove door to access secondary air tubes.



3. Remove the fragile two piece Baffles, then remove the 2 tubes.
4. Grasp front secondary air tube firmly with vise grips, using a hammer tap vise grips from right to left until air tube is released from grip. Remove. See diagram 1. Repeat step to remove second airtube from front.

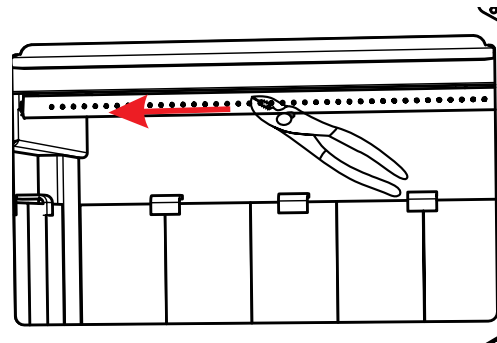


Diagram 1

5. To reinstall or replace, first slide left side of tube into hole on left side air channel. Align tab on right side air channel with notch on right hand end of air tube. Firmly grip center of air tube with vise grips, use hammer to tap vise grips from left to right until the tube bottoms out into the air channel on right.  
 Note : If air tube is locked into place correctly there should be slight movement when moving the air tube back and forth.

Annual Maintenance	
Completely clean out entire unit	Annually
Inspect air tube, Catalytic Combustor and bricks	Replace any damaged parts.
Adjust door catch assembly	If unable to obtain a tight seal on the door - replace door gasket seal. Readjust door catch after new gasket installed.
Inspect condition and seal of: Glass Gasket Door Gasket	Perform paper test - replace gasket if required
Paper Test	Test the seal on the loading door with a paper bill. Place a paper bill in the gasket area of the door on a cold stove. Close the door. Try to remove the paper by pulling. The paper should not pull out easily, if it does, try adjusting the door latch, if that doesn't solve the problem replace the door gasket.
Check and lubricate door hinge + latch	Use only high temperature anti seize lube. (ie. never seize)
Check glass for cracks	Replace if required.
Clean blower motor	Disconnect power supply. Remove and clean blower. <b>*DO NOT LUBRICATE*</b>
Inspect and clean chimney	Annual professional chimney cleaning recommended.
Thermostat Probe	The thermostat probe that is inserted into the opening, must be cleaned at least once a year. Use 220 sand paper to clean probe.

**NOTE:**  
**Chimney Cleaning**

When cleaning the chimney system the catalyst should be removed so this can also be cleaned at the same time following the guide lines found in this manual. The bypass should be open so any creosote will fall onto the firebox floor when being cleaned and door closed. The monitor should also be removed when cleaning is being done to prevent damage to the monitor.

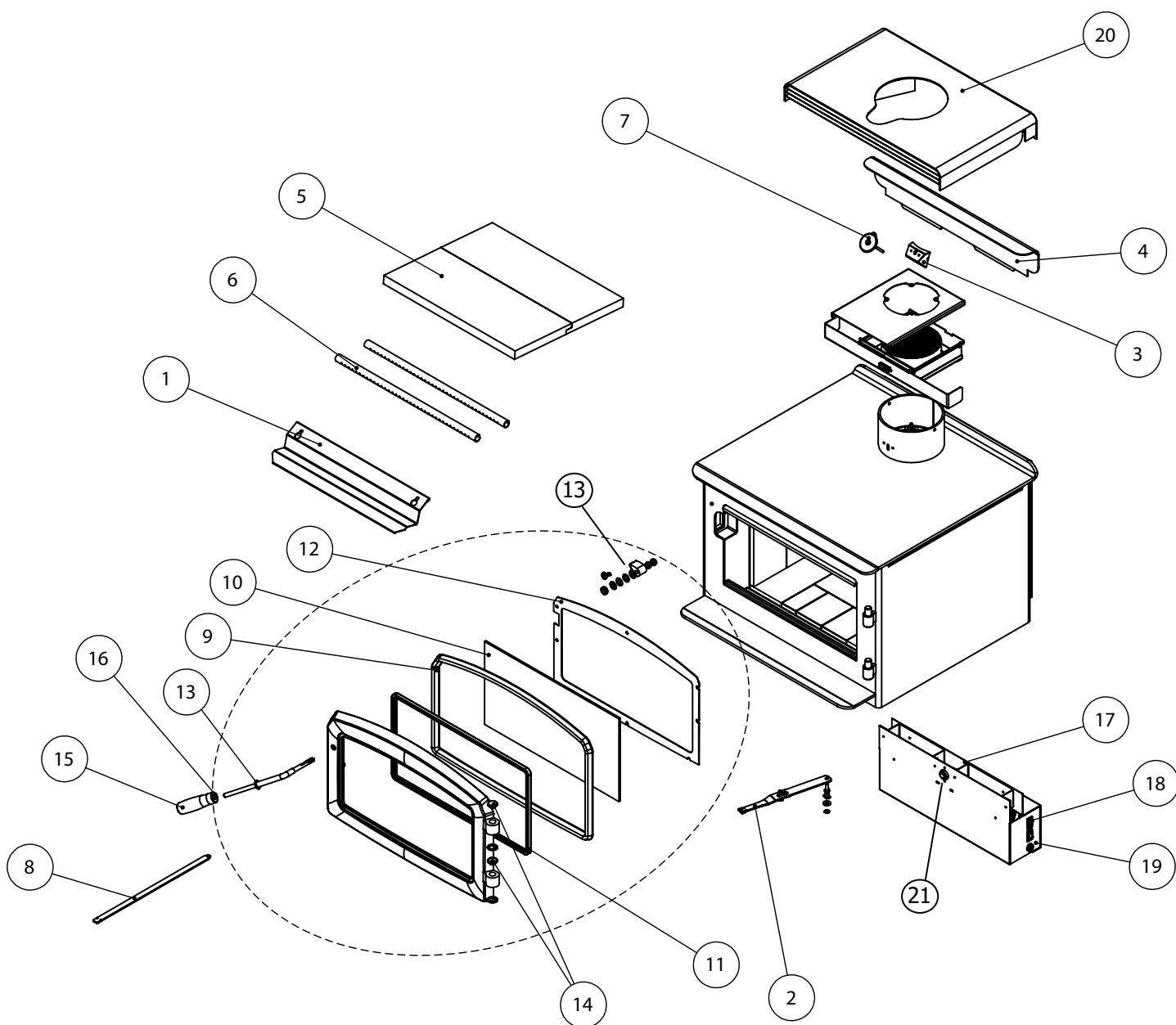
We highly recommend that the chimney cleaning be done by a professional as they will have the necessary tools such as a proper sized brush and special vacuum cleaner designed to deal with fine particles.

**IMPORTANT:** Before attempting to loosen or remove any screw, bolt from the interior of a wood stove, insert or factory built fireplace that has had a fire burned in it, we highly recommend to liberally spray the screw/bolt with a good-quality penetrating oil, one that does not have flammable properties contained within the penetrating oil being used. Allow it to set, then tap or vibrate the screw or bolt to help loosen it before attempting to remove it. For best results, follow the instructions that are provided with the penetrating oil.

# parts list

## Main Assembly

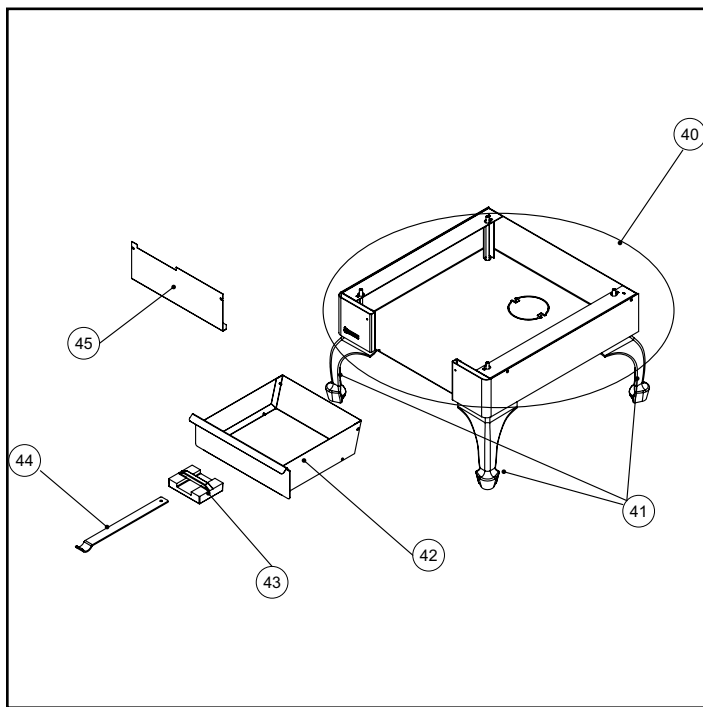
	<b>Part #</b>	<b>Description</b>
1	021-018	SS Smoke Deflector
2	021-020	Draft Control Lever
3	075-052	Bracket Probe
4	022-557	Rear Air Deflector
5	022-957	Baffle Bricks Complete (Set Of 2)
6	033-953	3/4 OD x 19-1/4 Air tube 2 Per Unit (Each)
7	075-028	Thermometer
8	021-028	Bypass Rod
9	846-570	7/8" Door Gasket Repair Kit
10	846-308	Glass - Replacement (Includes Glass Gasket)
11	846-692	1/8" x 3/4" Wide Graphite Gasket Tape (6') (936-241)
12	181-034F	Glass Retainer - Large
13	021-973	Door Handle Assembly Complete
14	948-079BN	Hinge Cap Brush Nickel (Each)
14	846-918	Hinge Cap - Black (Set of 2)
15	948-146	Long Black Handle
16	850-251	Black Door - Complete
16	850-253	Black with Nickel Accent Door - Complete
17	846-515	Fan Assembly Complete
18	910-138	2 Way Switch
19	910-140	3 way Switch
20	022-912	Airmate
21	910-142	Fan Thermodisc
N/S	075-073F	Tool Hanger
N/S	181-040	Control Tool
N/S	948-223	Regency Logo Plate
N/S	910-157/P	Fan Motor Only With Squirrel cage



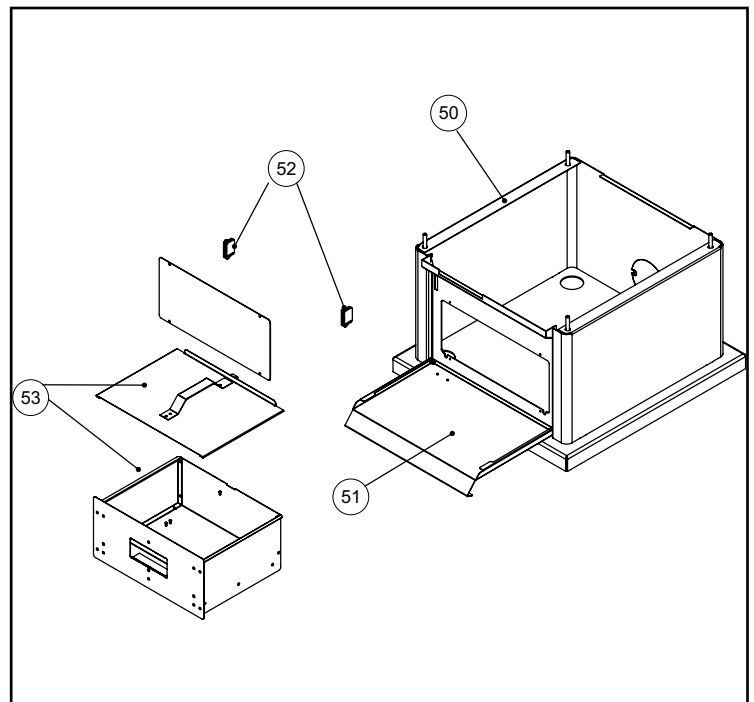
# parts list

## Bases

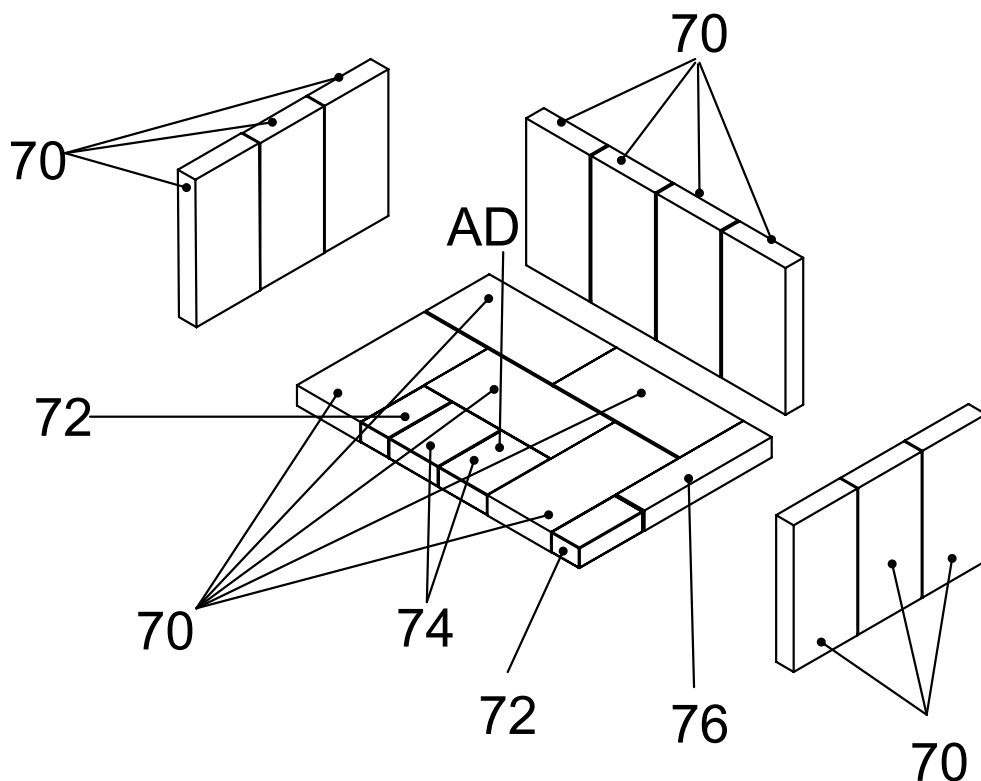
	Part #	Description
40	022-911	Bottom heat Shield
41	850-126	Black Cast legs (Set Of 4)
41	850-128	Nickel Cast legs (Set Of 4)
42	022-914	Ashdrawer Bottom Heat Shield
43	942-110	Ashplug
44	820-249	Ashplug Tool
45	022-023	Blanking Plate
N/S	904-100	5/16" x 6 1/2 " Long Hex Head Bolt (Each)
N/S	022-025	Metal Washer
N/S	820-456	Metal Spacer/Support Bracket (Each)



	Part #	Description
50	022-915	Pedestal Complete
51	022-011	Pedestal Door
52	904-257	Magnetic Catch (Each)
53	075-910	Ashdrawer Pedestal
N/S	904-023	5/16 x 1-1/2 Hex Head Bolt (Each)



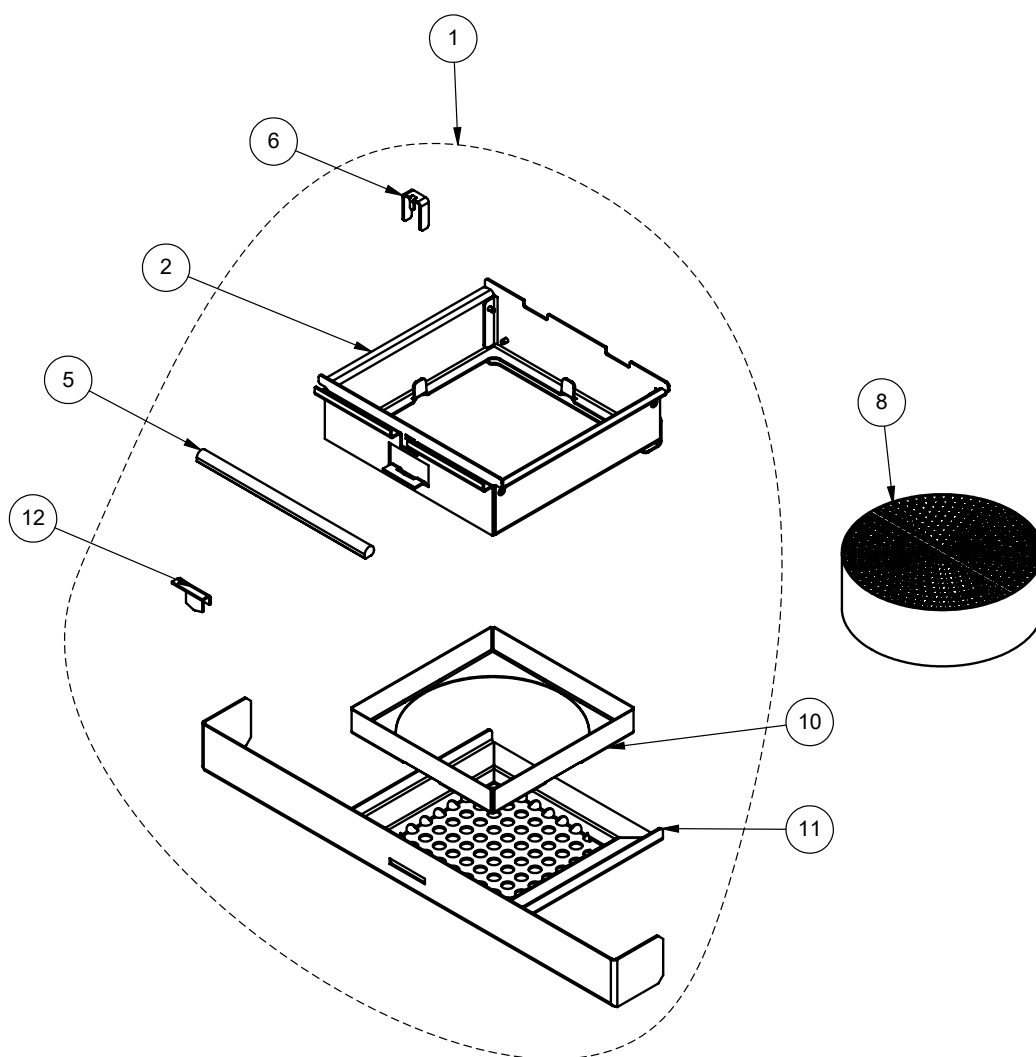
020-960 Brick Kit Complete	
70)	Brick - Regular Full Size: 1-1/4" x 4-1/2" x 9"
72)	Brick Partial: 1-1/4" x 2" x 4-1/2"
74)	Brick Partial: 1-1/4" x 4-1/2" x 3-1/2"
76)	Brick Partial: 1-1/4" x 2" x 9"
NOTE: This kit contains one spare brick in case of breakage.	



# parts list

## Catalytic Combustor

	Part #	Description
1	022-547/P	Complete catalyst assembly without the catalyst
2	022-546	Catalyst housing
5	846-689	Graphite Md-500 Rope Gasket (6') (936-236)
6	075-043	Rod Lock
8	022-040	5.83" diameter metal foil combustor
10	075-044	Cat cradle
11	022-033	Offset flame shield
12	075-103	Rod clip lock



---

---

---

---

---

---

---

---

---

---

---

---

---

---

---

---

---

---

---

---

---

---

---

---

---

---

---

---

## Indoor Wood Product Warranty

### Limited Lifetime Warranty

FPI Fireplace Products International Ltd. (for Canadian customers) and Fireplace Products U S, Inc. (for US customers) (collectively referred to herein as “FPI”) extends this Limited Lifetime Warranty to the original purchaser of this Appliance provided the product remains in the original place of installation. The items covered by this Limited Lifetime Warranty and the period of such coverage are set forth in the table below.

An Appliance in this policy is defined as an Indoor wood insert or Indoor wood freestanding stove.

**This Appliance has only been certified and listed for use indoors.**

**Note: This Wood Product Warranty does not apply to the Ri50 & CF780 models. See Ri50/CF780 policy for specific warranty details.**

This Limited Lifetime Warranty starts on the day the Appliance was purchased.

**The Limited Lifetime Warranty is not transferable, amendable or negotiable under any circumstances.**

Indoor Wood Products	Component Coverage					Subsidized Labor Coverage*** (Years)
	Limited Lifetime	5 years	2 years	1 year	Warranty	
Components Covered						
Welded Firebox Steel	✓					5
All Stainless Steel Components, Smoke Deflectors, Heat Shields etc.	✓					3
Air Tubes	✓					3
Airmate	✓					3
Door handle and latch assembly, all hardware	✓					3
Glass Thermal Breakage Only	✓					3
Steel Faceplates, Accessory Housings	✓					3
All Plating	✓					3
Ash Drawer, Heatshields, Pedestal	✓					0
All Baffles, Steel, Ceramic, Vermiculite C-Baffles	✓					0
All castings, firebox, surrounds, doors, panels etc.		✓				3
All Electrical, Blower, wiring, switches, Catalytic Monitors, Probes, etc.			✓			2
Glass - Crazing				✓		1
Catalyst Combustor					**10 Years Prorated	0
Venting/Chimney				✓		1
Screens				✓		1

\*\*See specific warranty details regarding the catalyst combustor in this manual.

**Note:** Warranty coverage noted above may not be applicable as components/options vary based on appliance purchased.

### Conditions:

Warranty protects against defect in manufacture or FPI factory-assembled components only, unless herein specified otherwise.

**\*\*\*This warranty does not cover dealer travel costs, mileage, fuel, tolls for diagnostic or service work. All labor rates paid to authorized dealers are subsidized, pre-determined rates. Dealers may charge you for travel and additional time beyond their subsidy.**

Any part(s) found to be defective during the warranty period as outlined above will be repaired or replaced at FPI’s option through an accredited distributor, dealer or pre-approved and assigned agent provided that the defective part is returned to the distributor, dealer or agent for inspection if requested by FPI. Alternatively, FPI may, at its own discretion, fully discharge all of its obligations under warranty by refunding the verified purchase price of the product to the original purchaser. The purchase price must be confirmed by the original Bill of Sale.



**The authorized selling dealer, or an alternative authorized FPI dealer if pre-approved by FPI, is responsible for all in-field diagnosis and service work related to all warranty claims. FPI is not responsible for results or costs of workmanship of unauthorized FPI dealers or agents in the negligence of their service work.**

At all times, FPI reserves the right to inspect reported in the field/on location complaints of products claimed to be defective before processing or authorizing any claim. Failure to allow this upon request will void the warranty.

All warranty claims must be submitted by the dealer servicing the claim, including a copy of the Bill of Sale (proof of purchase by you). All claims must be complete and provide full details as requested by FPI to receive consideration for evaluation. **Incomplete claims may be rejected.**

**Replacement Appliances to the original purchaser are limited to one per warranty term. Air tube and baffle replacements are limited to one replacement per warranty term.**

The Appliance must be installed according to all manufacturers' instructions as per the manual. All Local and National required codes must be met.

The installer is responsible for ensuring the Appliance is operating as designed at the time of installation.

The original purchaser is responsible for the annual maintenance of the Appliance, as outlined in the owner's manual. As outlined below, the warranty may be voided due to problems caused by a lack of maintenance.

Purchased parts: Repair/replacement parts purchased by the consumer from FPI after the original coverage has expired on the Appliance will carry a **90-day** warranty from the purchase date, valid with a receipt only. Any item shown to be defective will be repaired or replaced at our discretion. No labor coverage is included with these parts.

If freight damage has been found either externally or internally, the dealer must be informed within 3 days. All claims as a result of damage must be submitted by the dealer servicing the claim, including a copy of the Bill of Sale (proof of purchase). All claims must be complete and provide full details as requested by FPI to receive consideration for evaluation. **Incomplete claims may be rejected.**

As this is a Limited Lifetime Warranty, if the Appliance needs to be replaced, the Appliance that was purchased at the time of sale might not be replaced with exactly the same model Appliance. In that case, FPI will replace your Appliance with one that is similar at the time of replacement under the terms of this Limited Lifetime Warranty, but **ONLY** in the event that an item covered by the Limited Lifetime Warranty is found to be defective. Please refer to the table on first page of this warranty for items covered by the Limited Lifetime Warranty. Product changes might be the result of the original Appliance being discontinued, changes in regulatory requirements, product advancements, etc., which are beyond the control of FPI. **This Limited Lifetime Warranty does not cover any installation costs, or costs associated with changes of required clearances for the replacement Appliance, hearth pads, mantles, facing and/or facing materials such as framing, completed walls made of drywall, wood, non-combustible board, tile, brick, stone, marble etc., venting/chimney systems, or components of the chimney system.**

If a suitable replacement is not available, FPI will refund **50%** of the purchase price of the Appliance and any applicable FPI accessories (faceplates, brick panels, media, etc.) purchased at the time of sale. **In no event will FPI refund any portion of the purchase price of, or reimburse costs associated with, any other items, including without limitation, installation of a new unit, changes of required clearances for a new unit, hearth pads, mantles, facing and/or facing materials such as framing, completed walls made of drywall, wood, non-combustible board, tile, brick, stone, marble etc., venting/chimney systems, or components of the chimney system. A copy of the receipt or bill of sale will be necessary to validate the purchase price.**

#### **Exclusions:**

This Limited Lifetime Warranty does not extend to paint, rust or corrosion of any kind due to a lack of maintenance or improper venting, combustion air provision, corrosive chemicals (i.e. chlorine, salt, air, etc.), firebrick (rear, sides or bottom), door or glass gasketing, vermiculite floor bricks, andiron assemblies/flue damper rod or any other additional factory fitted gasketing, batteries.

Malfunction, damage or performance-based issues as a result of environmental conditions, location, chemical damages, downdrafts, installation error, an installation by an unqualified installer, incorrect chimney components (including but not limited to cap size or type), operator error, abuse, misuse, use of improper fuels (such as unseasoned cordwood, mill-ends, construction lumber or debris, off-cuts, treated or painted lumber, metal or foil, plastics, garbage, solvents, cardboard, coal or coal products, oil-based products, waxed cartons, compressed pre-manufactured logs, kiln dried wood), lack of regular maintenance and upkeep, acts of God, weather-related problems from hurricanes, tornados, earthquakes, floods, lightning strikes/bolts or acts of terrorism or war, which result in a malfunction of the Appliance are not covered under the terms of this Limited Lifetime Warranty.

# warranty

---

FPI has no obligation to enhance or modify any Appliance once manufactured (i.e. as products evolve, field modifications or upgrades will not be performed on existing Appliances).

Any Appliance showing signs of neglect or misuse will not be covered under the terms of this warranty policy and may void this warranty, including Appliances with rusted or corroded fireboxes that have not been reported as rusted or corroded within **three (3)** months of installation/purchase.

Appliances which show evidence of being operated while damaged, or with problems known to the purchaser and causing further damages will void this warranty.

Appliances where the serial no. has been altered, deleted, removed or made illegible will void this warranty.

Minor movement, expansion and contraction of the steel is normal and is not covered under the terms of this warranty.

Freight damages for products or parts are not covered under the terms of the warranty.

Products made or provided by other manufacturers and used in conjunction with the FPI Appliance without prior authorization from FPI may void this warranty.

## **Limitations of Liability:**

The original purchaser's exclusive remedy under this warranty, and FPI's sole obligation under this Limited Lifetime Warranty, express or implied, in contract or in tort, shall be limited to replacement, repair, or refund, as outlined above. IN NO EVENT WILL FPI BE LIABLE UNDER THIS WARRANTY FOR ANY INCIDENTAL OR CONSEQUENTIAL COMMERCIAL DAMAGES OR DAMAGES TO PROPERTY. TO THE EXTENT PERMITTED BY APPLICABLE LAW, FPI MAKES NO EXPRESS WARRANTIES OTHER THAN THE WARRANTY SPECIFIED HEREIN. THE DURATION OF ANY IMPLIED WARRANTY IS LIMITED TO DURATION OF THE EXPRESSED WARRANTY SPECIFIED ABOVE. IF IMPLIED WARRANTIES CANNOT BE DISCLAIMED, THEN SUCH WARRANTIES ARE LIMITED IN DURATION TO THE DURATION OF THIS WARRANTY.

Some US states do not allow limitations on how long an implied warranty lasts, or allow exclusion or limitation of incidental or consequential damages, so the above limitations or exclusions may not apply to you.

Customers located outside the US should consult their local, provincial or national legal codes for additional terms, which may be applicable to this warranty.

## **How to Obtain Warranty Service:**

Customers should contact the authorized selling dealer to obtain warranty service. In the event the authorized selling dealer is unable to provide warranty service, please contact FPI by mail at the address listed below. Please include a brief description of the problem and your address, email and telephone contact information. A representative will contact you to make arrangements for an inspection and/or warranty service.

### Canadian Warrantor:

**FPI Fireplace Products International Ltd.**  
6988 Venture St.  
Delta, British  
Columbia Canada,  
V4G 1H4

### US Warrantor:

**Fireplace Products U.S., Inc.**  
PO Box 2189 PMB 125  
Blaine, WA  
United States, 98231

Or contact the Regency Customer Care Centre at 1-800-442-7432 (phone) /604-946-4349 (fax) /customerservice@regency-fire.com (e-mail)

## **Product Registration and Customer Support:**

Thank you for choosing a Regency Fireplace. Regency strives to be a world leader in the design, manufacture, and marketing of hearth products. To provide the best support for your product, we request that you complete a product registration form at <http://www.regency-fire.com/Customer-Care/Warranty-Registration.aspx> within **ninety (90)** days of purchase.

## Warranty Registration Card



### Product Registration and Customer Support:

Thank you for choosing a Regency Fireplace. Regency strives to be a world leader in the design, manufacture, and marketing of hearth products. To provide the best support for your product, we request that you complete a product registration form found on our Web Site under Customer Care within ninety (90) days of purchase.

For purchases made in **CANADA or the UNITED STATES:**

<http://www.regency-fire.com/Customer-Care/Warranty-Registration.aspx>

For purchases made in **AUSTRALIA:**

<http://www.regency-fire.com.au/Customer-Care/Warranty-Registration.aspx>

You may also complete the warranty registration form below to register your Regency Fireplace Product and mail and/or fax it back to us, and we will register the warranty for you. It is important you provide us with all the information below in order for us to serve you better.

### Warranty Registration Form (or Register online immediately at the above Web Site):

<b>Warranty Details</b>	
Serial Number (required):	
Purchase Date (required) (mm/dd/yyyy):	
<b>Product Details</b>	
Product Model (required):	
<b>Dealer Details</b>	
Dealer Name (required):	
Dealer Address:	
Dealer Phone #:	
Installer:	
Date Installed (mm/dd/yyyy):	
<b>Your Contact Details (required)</b>	
Name:	
Address:	
Phone:	
Email:	

For purchases made in **CANADA:**

**FPI Fireplace Products  
International Ltd.**  
6988 Venture St.  
Delta, British Columbia  
Canada, V4G 1H4

Phone: 604-946-5155  
Fax: 1-866-393-2806

For purchases made in the **UNITED STATES:**

**Fireplace Products US, Inc.**  
PO Box 2189 PMB 125  
Blaine, WA  
United States, 98231

Phone: 604-946-5155  
Fax: 1-866-393-2806

For purchases made in **AUSTRALIA:**

**Fireplace Products Australia Pty  
Ltd**  
99 Colemans Road  
Dandenong South, Vic.  
Australia, 3175

Phone: +61 3 9799 7277  
Fax: +61 3 9799 7822

For fireplace care and tips and answers to most common questions please visit our Customer Care section on our Web Site. Please feel free to contact your selling dealer if you have any questions about your Regency product.



## CATALYTIC COMBUSTOR PARTS ONLY WARRANTY COVERAGE

### IMPORTANT WARRANTY INFORMATION FOR CATALYTIC COMBUSTOR

Effective March 1, 2019

Any and all claims for catalytic combustor must be filed **by the consumer** directly with their authorized Regency Dealer. FPI/Regency does not handle these claims directly with consumers.

Please follow the instructions below for your catalytic combustor under warranty. To learn more about the care and maintenance or the catalytic combustor, please visit our website: [www.firecatcombustors.com](http://www.firecatcombustors.com).

Any warranty coverage before this date will be covered by the original warranty when the appliance was purchased.

- (1) **10-year** coverage from Regency – not the supplier of the catalytic combustor.
- (2) All claims must be made through the dealer where the appliance had been purchased.
- (3) One no-charge replacement at any time within the **ten (10) year** period.
- (4) Second replacement at 50% off retail\* within the original **ten (10) years**.
- (5) Subsequent replacements or if **ten (10)-year** coverage has expired at full retail\* price.
- (6) The catalytic combustor must not have been mechanically abused, nor must the wrong fuels have been used in the appliance.
- (7) All claims must be accompanied by clear photos of the catalytic combustor showing all damage and also showing existing internal venting from the stove.

The consumer will be responsible for removal of the catalyst and any servicing required as there is no labour allowance. This warranty is REGENCY<sup>®</sup> exclusive warranty and REGENCY<sup>®</sup> disclaims any other express or implied warranty for the catalytic combustor, including any warranty or merchantability of fitness for a particular use.

THE CATALYTIC COMBUSTOR WARRANTY APPLIES TO PARTS ONLY, THERE IS NO LABOR WARRANTY ASSOCIATED WITH THE CATALYTIC COMBUSTOR.

All warranty claims must be sent to: Regency Fireplace Products

By Authorized Regency Dealer

\* Prices subject to change.

Regency reserves the right to reject any claim if it is determined the damage is a result of misuse, abuse or improper cleaning/ handling.

**PRODUCT LIFE CYCLE:**

By recycling your used appliances, you divert waste from your local landfills and help the environment. You also reduce the need for raw materials to manufacture new products. Contact your local municipality for appliance recycling services, local recycling programs, or appliance removal services to ensure your Regency appliance components, and packaging are properly recycled.



***Installer: Please complete the following information***

**Dealer Name & Address:** \_\_\_\_\_

\_\_\_\_\_  
**Installer:** \_\_\_\_\_

**Phone #:** \_\_\_\_\_

**Date Installed:** \_\_\_\_\_

**Serial #:** \_\_\_\_\_