



www.regency-fire.com

**ULTIMATE U39
Direct Vent Freestanding Gas Stove**

**Owners &
Installation Manual**



MODELS: U39-NG Natural Gas U39-LP Propane

WARNING:

If the information in these instructions are not followed exactly, a fire or explosion may result causing property damage, personal injury or loss of life.

FOR YOUR SAFETY

Do not store or use gasoline or other flammable vapors and liquids in the vicinity of this or any other appliance.

Installation and service must be performed by a qualified installer, service agency or the gas supplier.

FOR YOUR SAFETY

What to do if you smell gas:

- Do not try to light any appliance
- Do not touch any electrical switch: do not use any phone in your building.
- Immediately call your gas supplier from a neighbour's phone. Follow the gas supplier's instructions.
- If you cannot reach your gas supplier, call the fire department.

Tested by:



Installer: Please complete the details on the back cover and leave this manual with the homeowner.
Homeowner: Please keep these instructions for future reference.

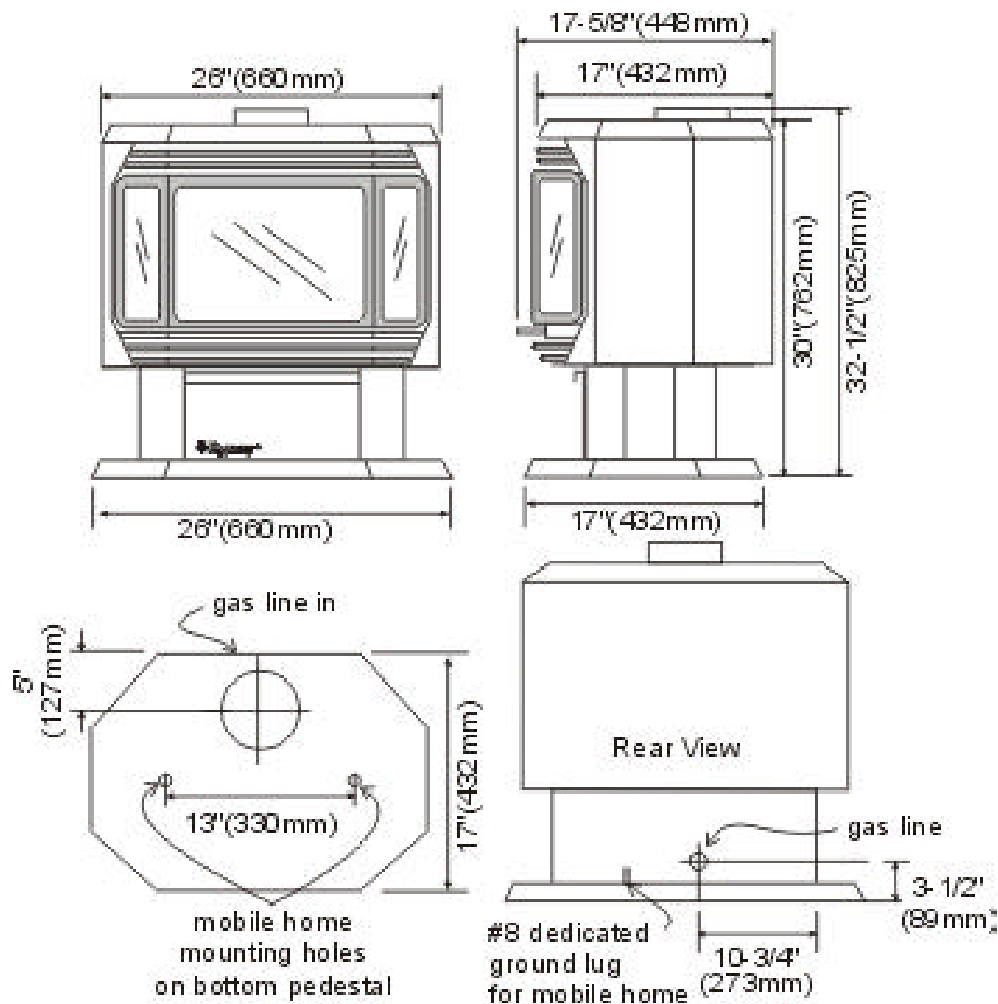
REGENCY

ULTIMATE Direct Vent Freestanding Gas Stove

To the New Owner:

Congratulations! You are the owner of a state-of-the-art ULTIMATE Direct Vent Gas Stove by FPI Fireplace Products International Ltd. The Regency Gas Series of hand crafted appliances has been designed to provide you with all the warmth and charm of a woodstove, at the flick of a switch. The models U39-NG, and U39-LP of this series has been approved by Warnock Hersey for both safety and efficiency. As it also bears our own mark, it promises to provide you with economy, comfort and security for many trouble free years to follow. Please take a moment now to acquaint yourself with these instructions and the many features of your ULTIMATE Direct Vent Freestanding Gas Stove.

UNIT SPECIFICATIONS





NATIONAL FIREPLACE INSTITUTE
CERTIFIED
www.nficertifed.org

We recommend that our products be installed and serviced by professionals who are certified in the U.S. by the National Fireplace Institute® (NFI) or in Canada by Wood Energy Technical Training (WETT).



Wood Energy
Technical Training

TABLE OF CONTENTS

| | Page | | Page |
|---|------|---|------|
| Safety Label | | | |
| Safety Labels | 4 | System Data Chart | 21 |
| Installation | | Gas Connection | 21 |
| Specifications | 5 | High Elevation | 21 |
| Information for Mobile/Manufactured Home | | Conversion from Natural Gas to Propane | 22 |
| After First Sale | 5 | Conversion to Lower BTU | 23 |
| Before You Start | 5 | Gas Pipe Pressure Testing | 23 |
| General Safety Information | 6 | Valve Description | 23 |
| Installation Checklist | 6 | Aeration Adjustment | 24 |
| Clearances to Combustibles | 6 | Log Installation | 24 |
| Manufactured Mobile Home Requirements | 7 | Front Door Installation | 25 |
| Locating Your ULTIMATE Gas Stove | 7 | Wiring Diagram | 26 |
| Louver Installation | 7 | Optional Wall Thermostat | 26 |
| Combustion and Ventilation Air | 7 | Optional Remote Control Installation | 26 |
| Venting | 7 | Final Check | 27 |
| Installation Precautions | 7 | Operating Instructions | |
| Exterior Vent Terminal Locations | 8 | Operating Instructions | 27 |
| Rigid Pipe Venting Components List | 9 | Lighting Procedure | 27 |
| Rigid Pipe Venting Systems | | Shutdown Procedure | 27 |
| Horizontal or Vertical Terminations | 10 | First Fire | 27 |
| Safety Precautions for the Installer | 11 | Convection Fan Operation | 28 |
| Venting Arrangements - Horizontal | | Copy of Lighting Plate Instructions | 28 |
| Terminations: All Systems | 11 | Adjusting Flame Height | 28 |
| Venting Arrangements - Vertical Terminations | 11 | Normal Operating Sounds of Gas Appliances | 28 |
| - Straight Vertical | 11 | Maintenance | |
| - Offset Vertical | 11 | Maintenance Instructions | 29 |
| Vent Restrictor Position | 11 | General Vent Maintenance | 29 |
| Horizontal and Vertical Venting With Two Elbows | 12 | Gold Plated Doors | 29 |
| DV Stove Horizontal Vent Kit | 13 | Log Replacement | 30 |
| Dura-Vent Termination Kits | 15 | Door Gasket | 30 |
| Planning Your Dura-Vent Installation | 15 | Latch Adjustment | 30 |
| Dura-Vent Venting Components Parts List | 15 | Glass Replacement | 30 |
| Dura-Vent Horizontal Installation | 16 | Fan Maintenance | 31 |
| Dura-Vent Vertical Termination Installation | 17 | Removing Valve | 32 |
| Offset Chart | 18 | Replacement Parts List | 33 |
| Cathedral Ceiling Installations | 18 | Warranty | |
| Support Extension - Round or Square | 19 | Warranty | 39 |
| Converting a Class-A Metal Chimney or Masonry | | | |
| Chimney to a Direct Vent System | 19 | | |
| - Instructions for Converting a Factory Built | | | |
| Metal Chimney | 19 | | |
| - Instructions for Converting a Masonry Chimney ... | 20 | | |


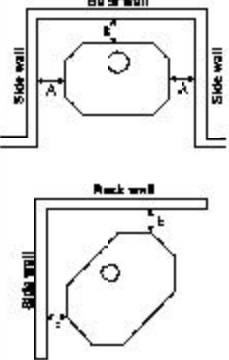
SAFETY LABEL

This is a copy of the label that accompanies each ULTIMATE Direct Vent Freestanding Gas Stove. We have printed a copy of the contents here for your review.

The safety label is located on the inside of the drop down pedestal door.

NOTE: Regency units are constantly being improved. Check the label on the unit and if there is a difference, the label on the unit is the correct one.

Copy of Safety Label for U39 Gas Stove

| | | |
|--|--|---|
|  | Listed: GAS FIRED VENTED ROOM HEATER Tested to: CGA 2.17-M91, ANSI Z21.88b-2003/ CSA 2.33b-2003 Certified for/Certifiée pour: CANADA and USA Report No. 476-1846-00 (Oct. 2000) | DO NOT REMOVE THIS LABEL / NE PAS ENLEVER CETTE ÉTIQUETTE 223 Serial No./No de serie |
| | MAY BE INSTALLED IN MANUFACTURED (MOBILE) HOMES AFTER FIRST SALE | |
| Model/Modèle: U39-NG | FACTORY EQUIPPED FOR NATURAL GAS: Model U39-NG ÉQUIPÉ À L'USINE POUR GAZ NATUREL: | |
| | Minimum supply pressure | 5" WC/C.E. (1.25KPa) Pression d'alimentation minimum |
| | Manifold pressure High | 3.8" WC/C.E. (0.94KPa) Pression tubulaire d'échappement élevée |
| | Manifold pressure Low | 1.1" WC/C.E. (0.27KPa) Pression tubulaire d'échappement basse |
| | Model U39-NG: Factory Equipped for Altitude 0-2000 ft. | |
| | Orifice size | #32 DMS Dimensions de l'orifice |
| | Altitude | 0-2000 ft/pi (0-610) L'altitude |
| | Maximum Input | 38,000 Btu/h (11.14Kwh) Débit calorifique maximum selon |
| | Minimum Input | 20,000 Btu/h (5.86Kwh) Débit calorifique minimum selon |
| | Model U39-NG: Convertible for Altitude 2000-4500 ft. Transforme en haute l'altitude Gaz Naturel: | |
| | Orifice size | #33 DMS Dimensions de l'orifice |
| | Altitude | 2000-4500ft/pi (610-1370m) L'altitude |
| Maximum Input | 36,100 Btu/h (10.57Kw) Débit calorifique maximum selon | |
| Minimum Input | 19,000 Btu/h (5.57Kwh) Débit calorifique minimum selon | |
| Model U39-NG: Convertible to 30,000 Btu for Altitude 0-4500 ft. | | |
| Orifice size | #37 DMS Dimensions de l'orifice | |
| Maximum Input | 30,000 Btu/h (8.73Kwh) Débit calorifique maximum selon | |
| Minimum Input | 16,000 Btu/h (4.69Kwh) Débit calorifique minimum selon | |
| Model/Modèle: U39-LP | FACTORY EQUIPPED FOR PROPANE GAS: Model U39-LP ÉQUIPÉ À L'USINE POUR GAZ PROPANE: | |
| | Minimum supply pressure | 12" WC/C.E. (3.00Kpa) Pression d'alimentation minimum |
| | Manifold pressure High | 11" WC/C.E. (2.74Kpa) Pression tubulaire d'échappement élevée |
| | Manifold pressure Low | 2.9" WC/C.E. (0.72Kpa) Pression tubulaire d'échappement basse |
| | Orifice size | 50 DMS Dimensions de l'orifice |
| | Altitude | 0-2,000 ft/pi (0-610m) L'altitude |
| | Maximum Input | 38,000 BTU/h (11.14Kw/h) Débit calorifique maximum selon |
| | Minimum Input | 20,000 BTU/h (5.86Kw/h) Débit calorifique minimum selon |
| | Model U39-LP: Convertible to 30,000 Btu for Altitude 0-4500 ft. | |
| | Orifice size | #52 DMS Dimensions de l'orifice |
| | Maximum Input | 30,000 Btu/h (8.73Kwh) Débit calorifique maximum selon |
| | Minimum Input | 16,000 Btu/h (4.69Kwh) Débit calorifique minimum selon |
| Minimum Clearances to Combustibles / Dégageement minimum des matériaux combustibles:  | | |
| A 7-1/2' / 190mm B 6" / 150mm C 2" / 50mm Min. Ceiling Height from top of unit / Min. Plafond Hauteur en haut de l'appareil: 36" / 914 mm | | |
| GAS FIRED VENTED ROOM HEATER: This appliance must be installed in accordance with local codes, if any; if not, follow: ANSI Z223.1 CAN/CGA-B149 Electrical Supply (115 V, 1.13 A, 60 Hz) Not for use with solid fuel. This appliance is only for use with the type of gas indicated on the rating plate and may be installed in an aftermarket, permanently located, manufactured home or mobile home, where not prohibited by local codes. See owner's manual for details. | | |
| FPI Fireplace Products International Ltd., Delta, BC, Canada | | Made in CANADA / FABRIQUE AU CANADA |
| | | 918-030b |

For the State of Massachusetts, installation and repair must be done by a plumber or gasfitter licensed in the Commonwealth of Massachusetts.

For the State of Massachusetts, flexible connectors shall not exceed 36 inches in length.

For the State of Massachusetts, the appliances individual manual shut-off must be a t-handle type valve.

IMPORTANT: SAVE THESE INSTRUCTIONS

The ULTIMATE Direct Vent Freestanding Gas Stove must be installed in accordance with these instructions. Carefully read all the instructions in this manual first. Consult the building authority having jurisdiction to determine the need for a permit prior to starting the installation.

Note: Failure to follow the instructions could cause a malfunction of the heater which could result in death, serious bodily injury, and/or property damage. Failure to follow these instructions may also void your fire insurance and/or warranty.

Note: These instructions take precedence over Simpson Dura-Vent instructions.

SPECIFICATIONS

Fuels: U39-NG is approved for use with natural gas.

U39-LP is approved for use with liquefied petroleum gases (propane).

Electrical: 120V A.C. system.

Circulation Fan: Variable speed, 125/75.

Log Sets: Ceramic fibre, 7 per set.

Vent System: Coaxial (6-5/8" outer / 4" inner liner) rigid flue and termination cap.

INFORMATION FOR MOBILE/ MANUFACTURED HOMES AFTER FIRST SALE

This Regency product has been tested and listed by Warnock Hersey as a Direct Vent Wall Furnace to the following standards: CAN/CGA-2.17-M91 and ANSI Z21.88b-2003/CSA 2.33b-2003.

This Direct Vent System Appliance must be installed in accordance with the manufacturer's installation instructions and the Manufactured Home Construction and Safety Standard, Title 24 CFR, Part 3280, or the current Standard of Fire Safety Criteria for Manufactured Home

Installations, Sites, and Communities ANSI/NFPA 501A, and with CAN/CSA Z240-MH Mobile Home Standard in Canada.

This appliance installation must comply with the manufacturer's installation instructions and local codes, if any. In the absence of local codes follow the current National Fuel Gas Code, ANSI Z223.1 and the current National Electrical Code ANSI/NFPA 70 in the U.S.A., and the current CAN/CGA B149 Gas Installation Code and the current Canadian Electrical Code CSA C22.1 in Canada.

This Regency Mobile/Manufactured Home Listed appliance comes factory equipped with a means to secure the unit.

This Regency Mobile/Manufactured Home listed appliance comes equipped with a dedicated #8 ground lug to which an 18 gauge copper wire from the steel chassis ground must be attached.

This appliance may only be installed in an aftermarket permanently located, manufactured (mobile) home, where not prohibited by local codes.

This appliance is only use with the type of gas indicated on the rating plate. This appliance is not convertible for use with other gases, unless a certified kit is used.

BEFORE YOU START

Safe installation and operation of this appliance requires common sense, however, we are required by the Canadian Safety Standards and ANSI Standards to make you aware of the following:

INSTALLATION AND REPAIRS SHOULD BE DONE BY A QUALIFIED SERVICE PERSON. THIS APPLIANCE SHOULD BE INSTALLED, REPAIRED, INSPECTED BEFORE USE AND AT LEAST ANNUALLY BY A QUALIFIED SERVICE PERSON. MORE FREQUENT CLEANING MAY BE REQUIRED DUE TO EXCESSIVE LINT FROM CARPETING, ETC. IT IS IMPERATIVE THAT THE CONTROL COMPARTMENT, BURNERS

AND CIRCULATING AIR PASSAGEWAYS OF THE APPLIANCE BE KEPT CLEAN.

DUE TO HIGH TEMPERATURES, THE APPLIANCE SHOULD BE LOCATED OUT OF TRAFFIC AND AWAY FROM FURNITURE AND DRAPERIES.

WARNING: FAILURE TO INSTALL THIS APPLIANCE CORRECTLY WILL VOID YOUR WARRANTY AND MAY CAUSE A SERIOUS HOUSE FIRE.

CHILDREN AND ADULTS SHOULD BE ALERTED TO THE HAZARDS OF HIGH SURFACE TEMPERATURES, ESPECIALLY THE FIREPLACE GLASS, AND SHOULD STAY AWAY TO AVOID BURNS OR CLOTHING IGNITION.

YOUNG CHILDREN SHOULD BE CAREFULLY SUPERVISED WHEN THEY ARE IN THE SAME ROOM AS THE APPLIANCE.

CLOTHING OR OTHER FLAMMABLE MATERIAL SHOULD NOT BE PLACED ON OR NEAR THE APPLIANCE.

- 1) Provide adequate clearances for servicing, proper operation and around the air openings into the combustion chamber.
- 2) The appliance may be installed on a flat, solid, continuous surface (e.g. wood, metal, concrete). This may be the floor, or it can be raised up on a platform to enhance its visual impact. The appliance may be installed on carpeting, tile, wood flooring or other combustible material, because the appliance's metal pedestal base extends the full width and depth of the appliance. The ULTIMATE Direct Vent Freestanding Gas Stove can be installed in a wide variety of ways and will fit nearly any room layout. It may be installed in a recessed position, framed out into the room, or across a corner.
- 3) The ULTIMATE Direct Vent Freestanding Gas Stove is approved for alcove installations, which meet the clearances listed on page 7. This unit is approved for manufactured home installations, see page 11 for the required vent arrangements. If installed

INSTALLATION

into a manufactured home the unit must be bolted down to the floor.

- 4) This appliance is Listed for bedroom installations when used with a Listed Millivolt Thermostat. Some areas may have further requirements, check local codes before installation.
- 5) This appliance is Listed for Alcove installations, maintain minimum Alcove clearances as follows, minimum width of 48" (1219mm), a maximum depth of 36" (914mm), and minimum ceiling height of 64"(1626mm).
- 6) We recommend that you plan your installation on paper using exact measurements for clearances and floor protection before actually installing this appliance. Have a qualified building inspector review your plans before installation.

GENERAL SAFETY INFORMATION

- 1) The appliance installation must conform with local Canadian Electrical Code.
- 2) The appliance when installed, must be electrically grounded in accordance with local codes, or in the absence of local codes with the current National Electrical Code, ANSI/NFPA 70 or CSA C22.1 Canadian Electrical Code.
- 3) The appliance should be inspected for shipping damage before use and **serviced annually by a professional service person**. More frequent cleaning may be required due to excessive lint from carpeting, bedding material, etc. It is imperative that control compartments, and circulating air passageways of the appliance be kept clean and free from excessive lint from carpeting.
- 4) See general construction and assembly instructions. The appliance and vent should be enclosed when installed in or passing through a living area, where children may come in contact with it.
- 5) This appliance must be connected to the specified vent and termination cap to the outside of the building envelope. Never vent to another room or inside a building. Make sure that the vent is fitted as per the instructions starting on page 7.
- 6) Inspect the venting system annually for blockage and any signs of deterioration.
- 7) Venting terminals shall not be recessed into a wall or siding.

- 8) Any safety glass removed for servicing must be replaced prior to operating the appliance.
- 9) To prevent injury, do not allow anyone who is unfamiliar with the operation to use the fireplace.

Emissions from burning wood or gas could contain chemicals known to the State of California to cause cancer, birth defects or other reproductive harm.

INSTALLATION CHECKLIST

- 1) Check Clearances to Combustibles (pages 6 and 7), location of unit (page 7) and venting requirements (pages 7 to 9).
- 2) Install Louvers, page 7.
- 3) Install venting, either with the DV Stove Horizontal Vent Kit (page 10) or the Dura-Vent Termination kits (page 12). Set Vent Restrictors, page 9. If converting a Class-A Metal Chimney or Masonry Chimney to a Direct Vent system, see instructions on pages 19 to 21.
- 4) Make gas connections, page 21. Test the pilot. Must be as per diagram, page 29.
- 5) If necessary, convert to Propane (page 22) or convert to lower Btu rating (page 23).
- 6) Test Gas Pressure, page 23.
- 7) Install log set, see page 24.
- 8) Install Front Door Front, page 25.
- 9) Install optional Remote Control, or Wall Thermostat, page 26.
- 10) Final check, page 27.

Before leaving this unit with the customer, the installer must ensure that the appliance is firing correctly and **operation fully explained to customer**.

This includes:

- 1) Locking the appliance to ensure the correct firing rate (rate noted on label) after burning appliance for 15 minutes.
- 2) If required, adjusting the primary air to ensure that the flame does not carbon. First allow the unit to burn for 15-20 min. to stabilize.

CAUTION: Any alteration to the product that causes sooting or carboning that results in damage is not the responsibility of the manufacturer.

CLEARANCES TO COMBUSTIBLES

The clearances listed are MINIMUM distances. Measure the clearance to both the appliance and the chimney connector. **The farthest distance is correct if the two clearances do not coincide.**

For example, if the appliance is set as indicated in one of the figures but the connector is too close, move the stove until the correct clearance to the connector is obtained.

This appliance may be installed only with the clearances as shown in the situations pictured. **Do not combine clearances from one type of installation with another in order to achieve closer clearances.**

This unit can be installed on a solid combustible surface like a wood floor. This unit can also be installed directly on carpeting or vinyl when the bottom pedestal cover plate (provided with unit) is installed.

Use the minimum clearances shown in the diagrams below:

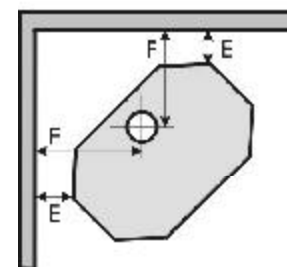
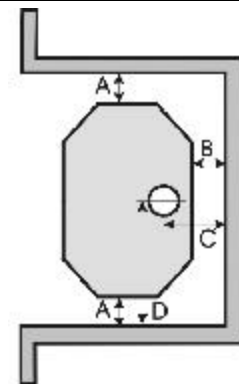
U39-NG & U39-LP Clearances

| | |
|---------------------|-----------------|
| A Side Wall to Unit | 7-1/2" / 190 mm |
| B Back Wall to Unit | 6" / 150 mm |
| E Side Wall to Unit | 2" / 50 mm |

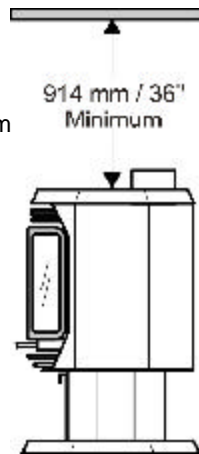
U39-NG & U39-LP Reference Dimensions

| | |
|--------------------------------|------------------|
| C Back Wall to Flue Centerline | 11" / 280 mm |
| D Side Wall to Flue Centerline | 20-1/2" / 521 mm |
| F Side Wall to Flue Centerline | 11" / 280 mm |

Minimum ceiling height is 36" / 914 mm from top of unit.



Minimum ceiling height is 36"/914mm from top of unit.



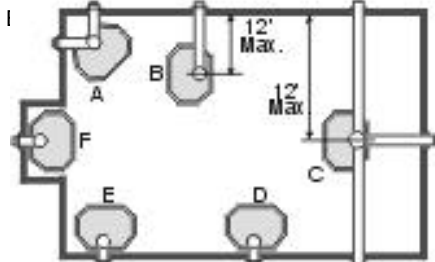
MANUFACTURED MOBILE HOME ADDITIONAL REQUIREMENTS

- 1) Ensure that structural members are not cut or weakened during installation.
- 2) Ensure proper grounding using the #8 ground lug provided.
- 3) Appliance must be anchored to the floor with the supplied anchoring methods.

LOCATING YOUR ULTIMATE GAS STOVE

When selecting a location for your stove, ensure that the clearances listed above are met as well as ensuring that there is adequate accessibility for servicing and proper operation.

A) Cross Corner

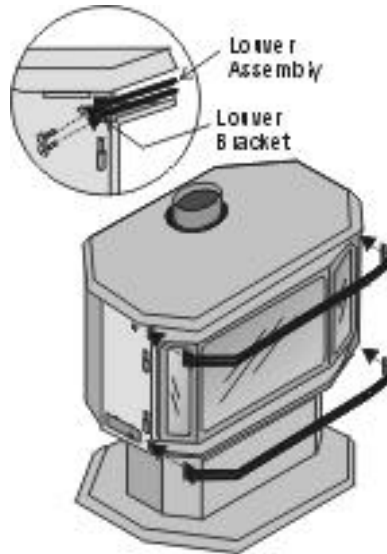


- C) Island
- D) Flat on Wall
- E) Flat on Wall Corner
- F) Flush with Wall/ Alcove

For Vent Termination requirements, see page 8.

LOUVER INSTALLATION

- 1) Attach the top & bottom louvers to the side stove panel using 2 screws per side.



COMBUSTION AND VENTILATION AIR

The combustion air from this appliance is drawn from outside the building through the outer flue. **Extra provision for combustion air inside the room is not required.**

VENTING INTRODUCTION

The DV Stove Horizontal Vent Kit and the Simpson Dura-Vent Direct Vent System Model DV-GS venting systems, in combination with the ULTIMATE Direct Vent Freestanding Gas Stove, U39-NG, and U39-LP, have been tested and listed as direct vent heater systems by Warnock Hersey. If converting a Class-A Metal Chimney or Masonry Chimney to a Direct Vent system, see instructions on pages 19 to 21.

These units use the "balanced flue" technology Co-Axial system. The inner liner vents products of combustion to the outside while the outer pipe draws outside combustion air into the combustion chamber thereby eliminating the need to use heated room air for combustion and losing warm room air up the chimney.

Note: These flue pipes must not be connected to any other appliance.

The gas appliance and vent system must be vented directly to the outside of the building, and never be attached to a chimney serving a separate solid fuel or gas burning appliance. Each direct vent gas appliance must use its own separate vent system. Common vent systems are prohibited.

IMPORTANT

Read all instructions carefully before starting the installation. Failure to follow these instructions may create a fire or other safety hazard, and will void the warranty. Be sure to check the venting and clearance to combustibles requirements. Consult your local building codes before beginning installation.

The location of the termination cap must conform to the requirements in the Exterior Vent Terminal Locations diagram on page 8.

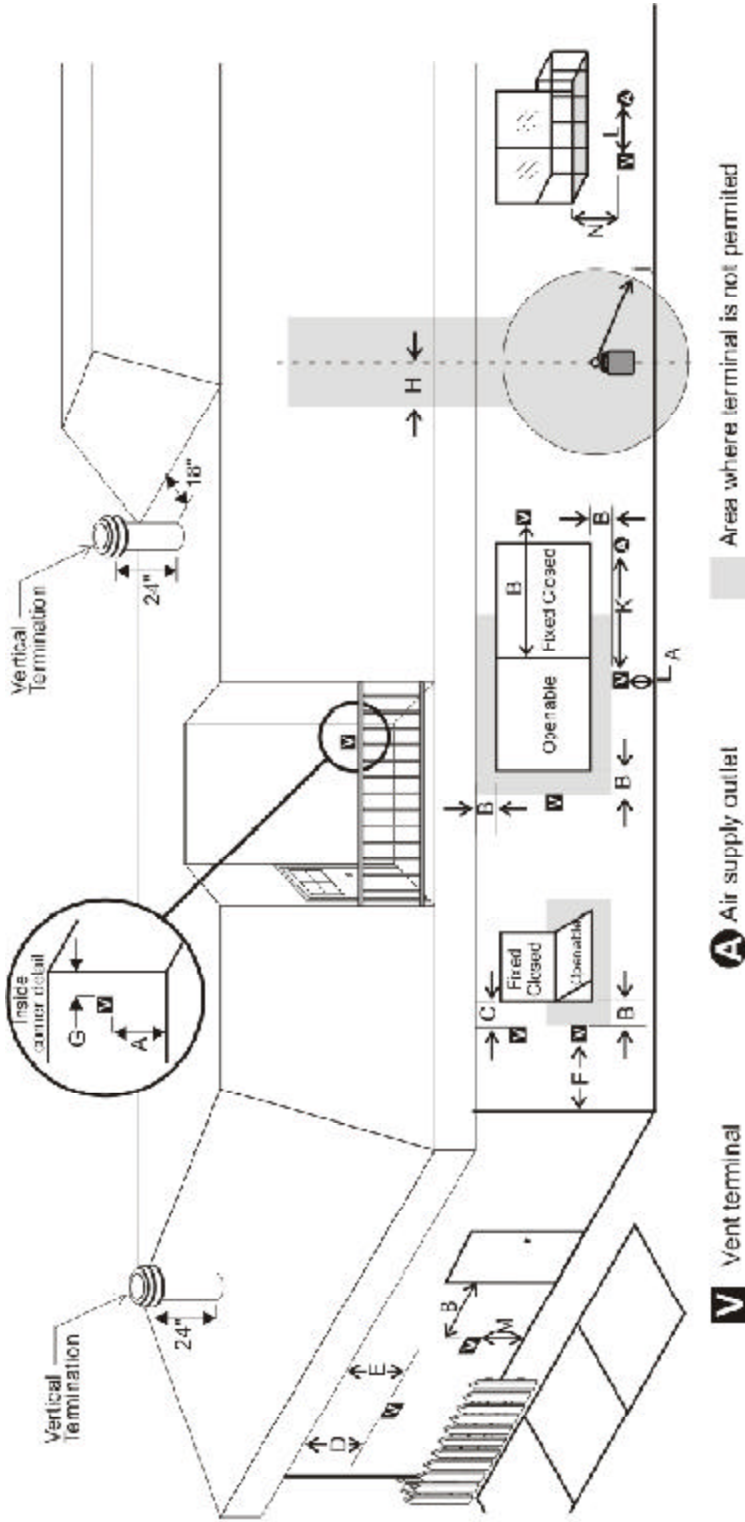
INSTALLATION PRECAUTIONS

These venting systems are engineered products that have been designed and tested for use with the U39-NG, and U39-LP. The warranty will be voided and serious fire, health or other safety hazards may result from any of the following actions:

- 1) Installation of any damaged Direct Vent component
- 2) Unauthorized modification of the Direct Vent System
- 3) Installation of any component part not manufactured or approved by Simpson Dura-

INSTALLATION

EXTERIOR VENT TERMINAL LOCATIONS



- A= Clearance above grade, veranda, porch, deck, or balcony * (min. 12"/30cm)
- B= Clearance to window or door that may be opened *(12"/30cm)
- C= Clearance to permanently closed window *(min. 12"/30cm)
- D= Vertical clearance to ventilated soffit located above the terminal within a horizontal distance of (24"/60cm) from the centerline of the terminal (min. 18"/46cm) check with local code.
- E= Clearance to unventilated soffit (min. 12"/30cm)
- F= Clearance to outside corner: with **AstroCap** Termination Cap (min. 6"/15cm), with **Dura-Vent** termination cap (min. 12"/30cm)
- G= Clearance to inside corner: with **AstroCap** Termination Cap (min. 6"/15cm), with **Dura-Vent** termination cap (min. 12"/30cm)
- H= Not to be installed above a meter/regulator assembly within (3'/90cm) horizontally from the centerline of the regulator.
- J= Clearance to service regulator vent outlet *(min. 36"/90cm)
- K= Clearance to non-mechanical air supply inlet to building or the combustion air inlet to any other appliance *(12"/30cm)
- L= Clearance to a mechanical air supply inlet *(min. 72"/1.8m)
- M= **Clearance above paved sidewalk or a paved driveway located on public property *(min. 84"/2.1m)
- N= Clearance under veranda, porch, deck, or balcony *(min. 12"/30cm)***

Note: * As specified in CGA B149 Installation Code. Note: Local codes or regulations may require different clearances.
 ** A vent shall not terminate directly above a sidewalk or paved driveway which is located between two single family dwellings and serves both dwellings.
 *** Only permitted if veranda, porch, deck, or balcony is fully open on a minimum of two sides beneath the floor.

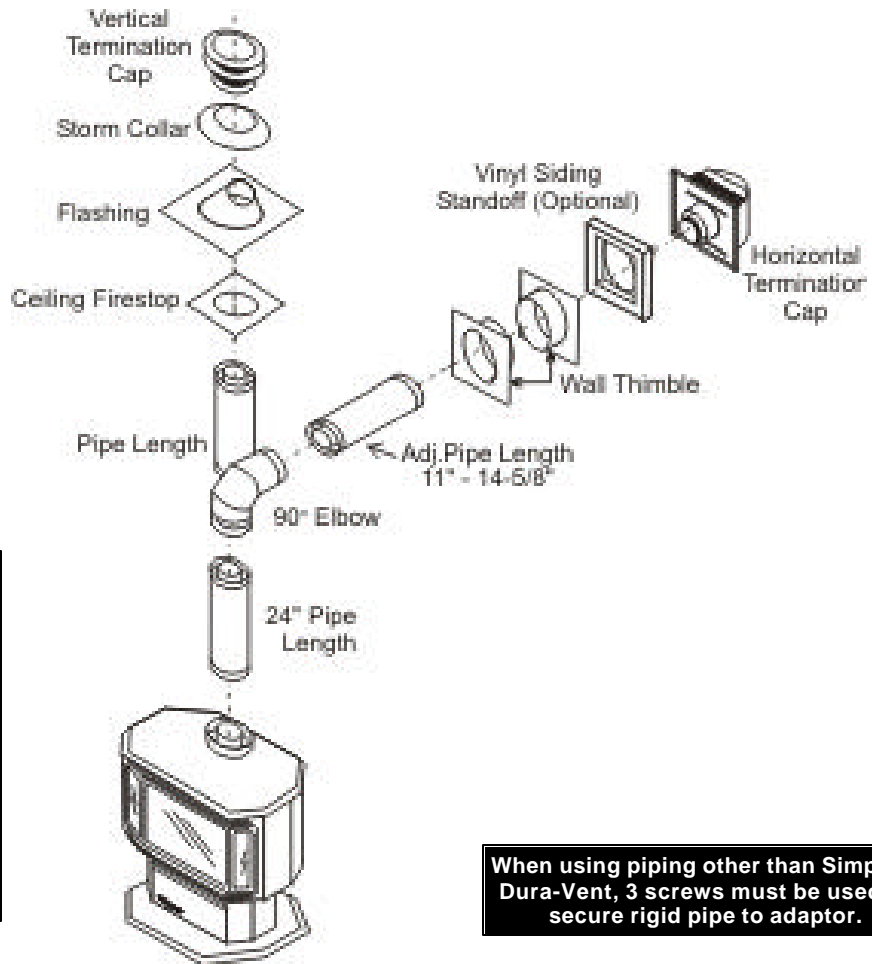
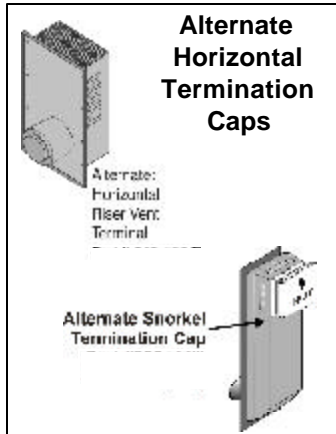
RIGID PIPE VENTING COMPONENTS LIST

All Simpson Dura-Vent components are available directly from FPI.

| Description | Simpson Dura-Vent Direct VentGS ^R | Selkirk Direct-Temp TM | Amerivent ^R Direct Vent |
|---|---|---|---------------------------------------|
| 6" Pipe Length, Galvanized | 908 | 4DT-6 | N/A |
| 6" Pipe Length, Black | 908B | 4DT-6B | N/A |
| 7" Pipe Length, Galvanized | N/A | N/A | 4D7 |
| 7" Pipe Length, Black | N/A | N/A | 4D7B |
| 9" Pipe Length, Galvanized | 907 | 4DT-9 | N/A |
| 9" Pipe Length, Black | 907B | 4DT-9B | N/A |
| 12" Pipe Length, Galvanized | 906 | 4DT-12 | 4D12 |
| 12" Pipe Length, Black | 906B | 4DT-12B | 4D12B |
| 18" Pipe Length, Galvanized | N/A | 4DT-18 | N/A |
| 18" Pipe Length, Black | N/A | 4DT-18B | N/A |
| 24" Pipe Length, Galvanized | 904 | 4DT-24 | 4D2 |
| 24" Pipe Length, Black | 904B | 4DT-24B | 4D2B |
| 36" Pipe Length, Galvanized | 903 | 4DT-36 | 4D3 |
| 36" Pipe Length, Black | 903B | 4DT-36B | 4D3B |
| 48" Pipe Length, Galvanized | 902 | 4DT-48 | 4D4 |
| 48" Pipe Length, Black | 902B | 4DT-48B | 4D4B |
| Adjustable Length, 11"-14", Galv. | 911 | 4DT-AJ | N/A |
| Adjustable Length, 11"-14", Black | 911B | 4DT-AJB | N/A |
| Adjustable Length, 17"-24", Black | 917B | N/A | N/A |
| Adjustable Length, 7" Galvanized | N/A | N/A | 4D7A |
| Adjustable Length, 7" Black | N/A | N/A | 4D7AB |
| Adjustable Length, 12" Galvanized | N/A | N/A | 4D12A |
| Adjustable Length, 12" Black | N/A | N/A | 4D12AB |
| 45° Elbow, Galvanized | 945 | 4DT-EL45 | 4D45L |
| 45° Elbow, Black | 945B | 4DT-EL45B | 4D45LB |
| 45° Elbow, Swivel, Galvanized | 945G | N/A | N/A |
| 45° Elbow, Swivel, Black | 945BG | N/A | N/A |
| 90° Elbow, Galvanized | 990 | 4DT-EL90S | 4D90LS |
| 90° Elbow, Black | 990B | 4DT-EL90SB | 4D90LBS |
| 90° Elbow, Swivel, Galvanized | 990G | N/A | N/A |
| 90° Elbow, Swivel, Black | 990BG | N/A | N/A |
| Ceiling Support | 949 - n/a from FPI | 4DT-CS | 4DFSP |
| Cathedral Support Box | 941 | 4DT-CSS | 4DRSB |
| Wall Support/Band | 988 | 4DT-WS/B | 4DWS |
| Offset Support | 989 - n/a from FPI | 4DT-OS | N/A |
| Wall Thimble, Black | 942 | 4DT-WT | 4DWT |
| Wall Thimble Support Box/Ceiling Support | 940 | N/A | N/A |
| Firestop Spacer | 963 | 4DT-FS | 4DFSP |
| Trim Plate, Black | N/A | 4DT-TP | 4DFPB |
| Brass Trim for Wall Thimble/Ceiling Support | 3951 | N/A | N/A |
| Attic Insulation Shield 12" | N/A | N/A | 4DAIS12 |
| Attic Insulation Shield - Cold Climates 36" | N/A | N/A | 4DAIS36 |
| Basic Horizontal Termination Kit (A) | 970 | 4DT-HKA | 4DHTK2 |
| Horizontal Termination Kit (B) | 971 | 4DT-HKB | 4DHTK1 |
| Vertical Termination Kit | 978 | 4DT-VKC | 4DVTK |
| High Wind Vertical Cap | 991 | N/A | N/A |
| High Wind Horizontal Cap | 985 | N/A | N/A |
| Horizontal Square Termination Cap | 984 | 4DT-HHC | 4DHC |
| Vertical Termination Cap | 980 | 4DT-HVC | 4DVC |
| Storm Collar | 953 | 4DT-SC | 4DSC |
| Adjustable Flashing, 0/12-6/12 | 943 | 4DT-AF6 | 4DF |
| Adjustable Flashing, 6/12-12/12 | 943S | 4DT-AF12 | 4DF12 |
| Vinyl Siding Standoff | 950 | 4DT-VS | N/A |
| Vinyl Siding Shield Plate | N/A | 4DT-VSP | N/A |
| Snorkel Termination 14" | 982 | 4DT-ST14 | 4D12S |
| Snorkel Termination 36" | 981 | 4DT-ST36 | 4D36S |
| 946-506/P Vent Guard (Optional) | | 946-208/P Vent Guard (Optional) - Riser Vent Terminal | |
| 640-530/P Riser Vent Terminal | | 946-523/P AstroCap Horizontal Cap | |
| 946-205 Vinyl Siding Shield for Riser Vent Terminal | | 946-206 Vinyl Siding Standoff - AstroCap | |

INSTALLATION

RIGID PIPE VENTING SYSTEMS Horizontal or Vertical Terminations



WARNING:

Do not combine venting components from different venting systems.

However use of the the AstroCap™ and FPI Riser is acceptable with all systems.

This product has been evaluated by Intertek for using a Dura-Vent Flue Adaptor in conjunction with Selkirk Direct-Temp and Ameri Vent Direct venting systems. Use of these systems with the Direct Vent GS starting collar is deemed acceptable and does not affect the Intertek WHI listing of components.

When using piping other than Simpson Dura-Vent, 3 screws must be used to secure rigid pipe to adaptor.

The FPI AstroCap™ and FPI Riser Vent terminal is certified for installations using FPI venting systems as well as Simpson Dura-Vent®, Direct Vent GS, American Metal Products, Ameri Vent Direct vent and Selkirk Direct-Temp. FPI™, and FPI AstroCap™ are the proprietary trademarks of FPI Fireplace Products International Ltd. Dura-Vent® and Direct Vent GS are registered and/or proprietary trademarks of Simpson Dura-Vent Co. Inc.

Vent or Fireplace Products International Ltd.

- Installation other than as instructed by Simpson Dura-Vent and Fireplace Products International Ltd.

Warning: Always maintain required clearances (air spaces) to nearby combustibles to prevent a fire hazard. Do not fill air spaces with insulation.

Be sure to check the vent termination clearance requirements from decks, windows, soffits, gas regulators, air supply inlets and public walkways as specified in the Exterior Vent Terminal Locations on page 8 and in your local building codes.

The gas appliance and vent system must be vented directly to the outside of the building, and never be attached to a chimney serving a separate solid fuel or gas-burning appliance. Each direct vent gas appliance must use its own separate vent system. Common vent systems are prohibited.

SAFETY PRECAUTIONS FOR THE INSTALLER

- Wear gloves and safety glasses for protection.
- Exercise extreme caution when using ladders or on roof tops.
- Be aware of electrical wiring locations in walls and ceilings.

RIGID PIPE VENTING ARRANGEMENTS

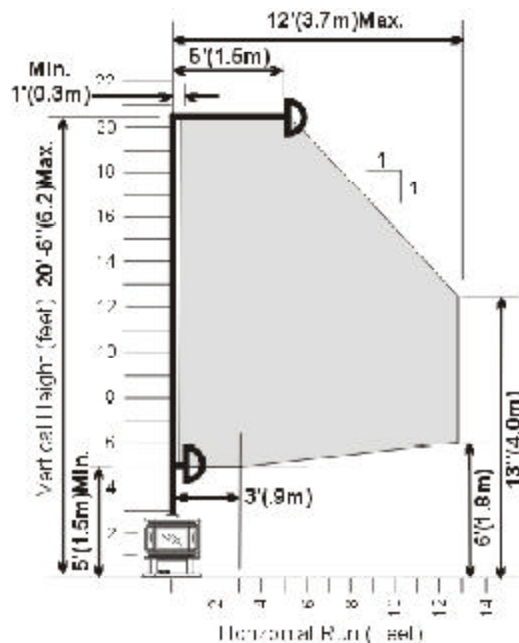
Horizontal Terminations for All Venting Systems

The shaded areas in the diagram below show all allowable combinations of vertical runs with horizontal terminations. Maximum one 90° elbow (two 45° elbows equal one 90° elbow).

Propane and Natural Gas: Residential, Manufactured and Mobile Homes Installations

The venting arrangements diagrammed below, have a min. of 75% (flue loss) efficiency with Fan Off, as required for manufactured homes. (Actual efficiency may be as high as 85%)

May be installed in Manufactured (Mobile) Homes after first sale.

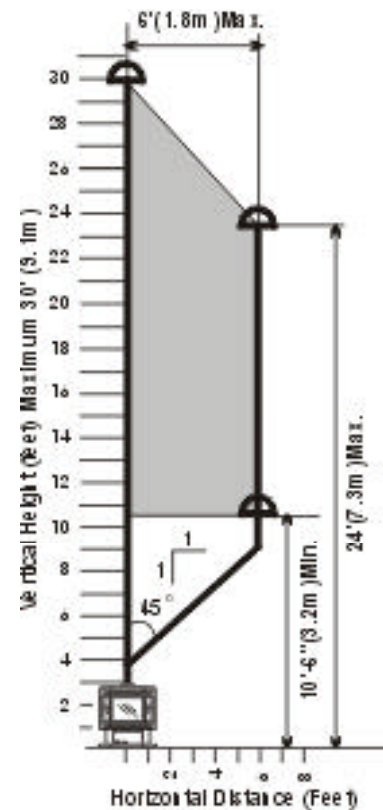


Vertical Termination Systems for Residential Manufactured and Mobile Homes

The shaded area in the diagram below shows all allowable combinations of straight vertical and offset to vertical runs with vertical terminations. Maximum two 45° elbows.

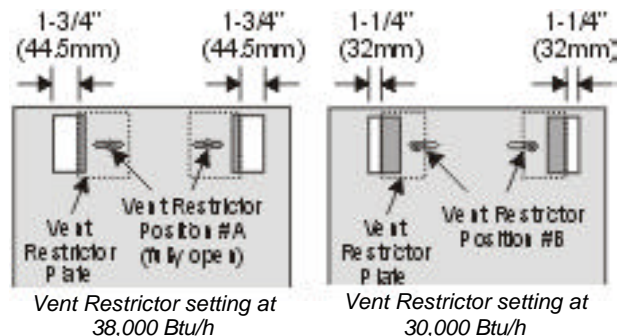
If the vent is ENCLOSED in a chase (min. size 9" x 9") maintain a 1-1/4" clearance to combustibles.

May be installed in Manufactured (Mobile) Homes after first sale.



Vent Restrictor Position

To set the Vent restriction as indicated in the diagram, simply loosen the screws and push the vent restrictor plate to the correct position. Tighten the screws.



INSTALLATION

Horizontal Venting with Two (2) 90° Elbows

One 90° elbow = Two 45° elbows.

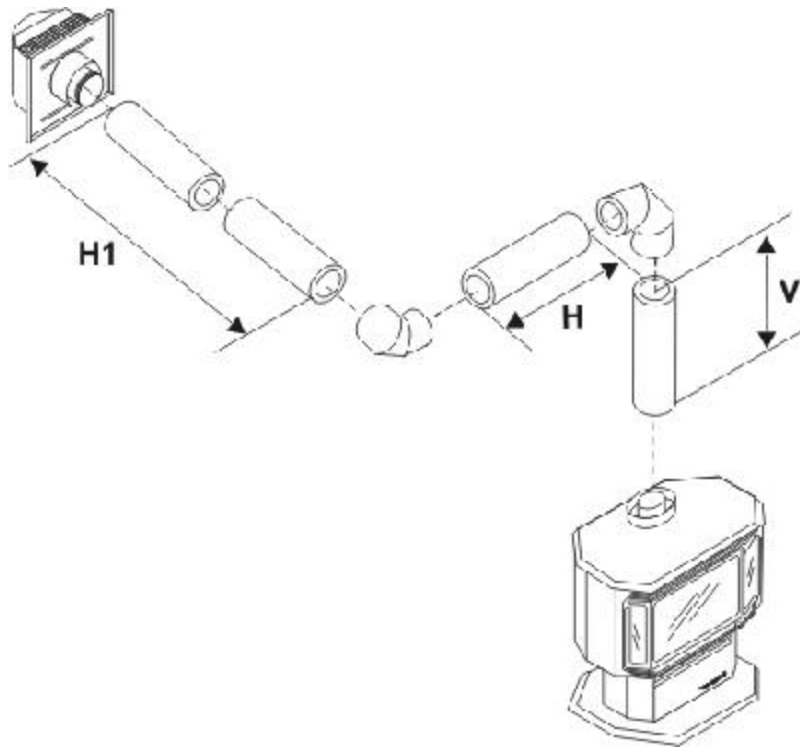
| Option | V | H + H1 |
|--------|---------|---------|
| A) | 3' Min. | 2' Max. |
| B) | 5' Min. | 3' Max. |
| C) | 8' Min. | 4' Max. |

With these options, maximum total pipe length is 30 feet with minimum of 8 feet total vertical and maximum 4 feet total horizontal.

Please note minimum 1 foot between 90° elbows is required.

Lengths do not include elbow indicated

Vent restrictor position A (fully open), refer to page 11.



Vertical Venting with Two (2) 90° Elbows

One 90° elbow = Two 45° elbows.

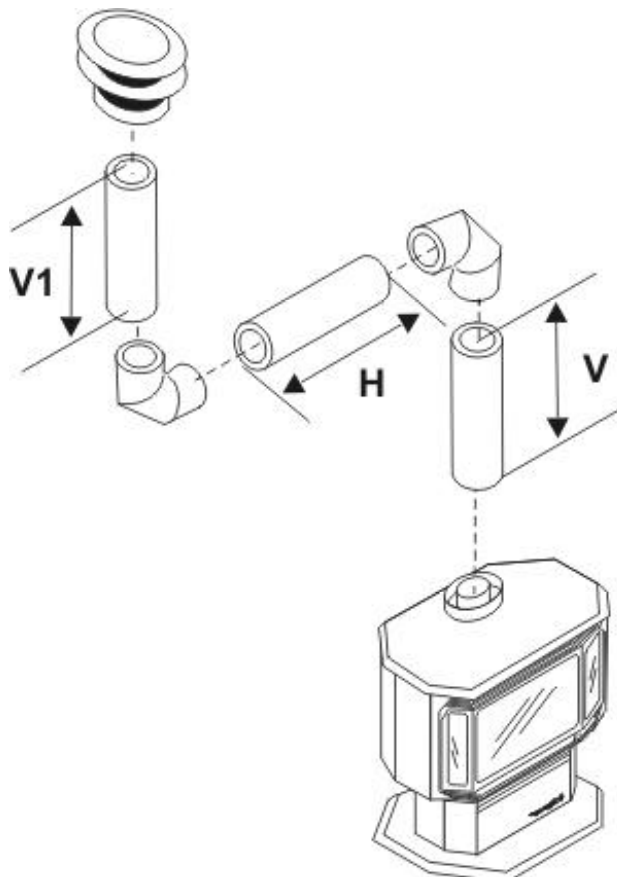
| Option | V | H | V1 | V + V1 |
|--------|---------|---------|---------|---------|
| A) | 1' Min. | 1' Max. | 1' Min. | 2' Min. |
| B) | 1' Min. | 2' Max. | 2' Min. | 3' Min. |
| C) | 2' Min. | 3' Max. | 2' Min. | 4' Min. |
| D) | 2' Min. | 4' Max. | 2' Min. | 4' Min. |

With these options, max. total pipe length is 30 feet with min. of 4 feet total vertical and max. 4 feet total horizontal.

Please note min. 1 foot between 90° elbows is required.

Lengths do not include elbow indicated

Vent restrictor position A (fully open), refer to page 11.



DV STOVE HORIZONTAL VENT KIT

DV Stove Horizontal Vent Kit (2 ft. Part # 946-116 or 4 ft. Part # 946-216) includes all the parts needed to install the U39 with minimum horizontal and vertical vent dimensions. For installations that require longer vertical and/or horizontal vents use the Dura-Vent system as shown on page 15.

Qty. Description

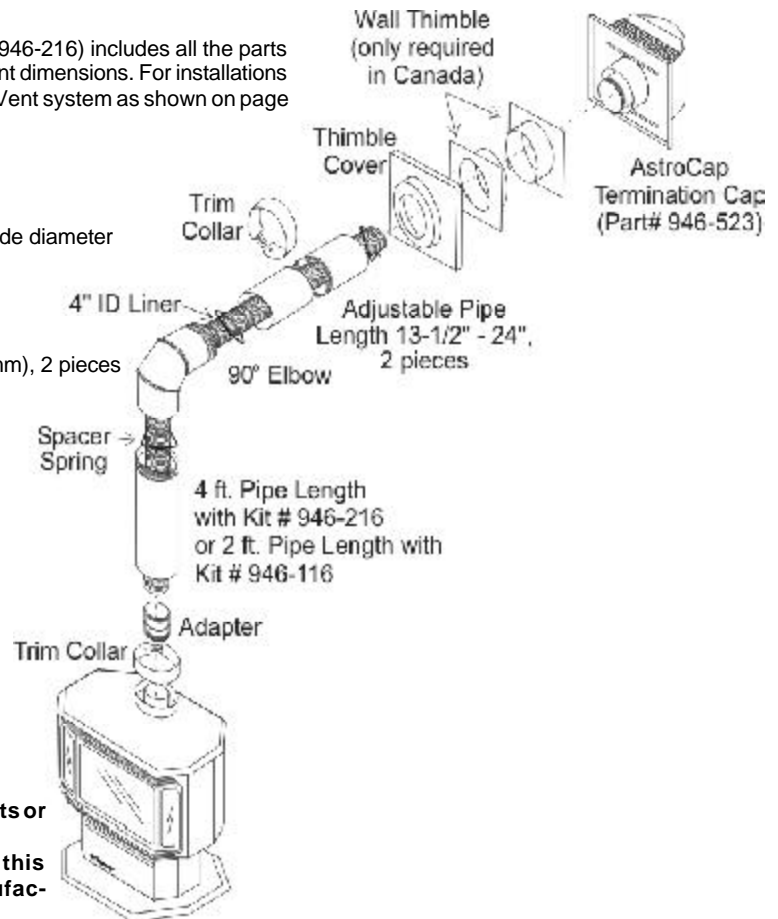
- 1) 1 Rigid Pipe Section (Kit # 946-116: 2 ft. (1.2m) length, Kit # 946-216: 4 ft. (1.2m) length), 6-1/2" (165mm) inside diameter
- 2) 1 Flex Liner, compressed aluminium 2 ply liner, 4" (102mm) inside diameter
- 3) 4 spring spacers
- 4) 1 90 deg. Elbow
- 5) 1 Adjustable pipe section 13-1/2" to 24" (343mm x 610mm), 2 pieces
- 6) 1 Thimble Cover
- 7) 1 Wall Thimble (2 pcs.)
- 8) 1 Adapter
- 9) 1 **AstroCap** Termination Cap
- 10) 2 Trim Collar
- 11) 1 tube of Mill-Pac, high temperature sealant
- 12) 12 Screws, #8 x 1/2" Self tapping, Stainless Steel
- 13) 13 Screws, #8 x 1/2" Self tapping, Black
- 14) 4 Screws #8 x 1-1/2" Drill Point, Black
- 15) 4 Screws #8 x 1-1/2" Drill Point, Stainless Steel
- 16) 8 Wood screws #8 x 1"

Optional:

946-206 Vinyl Siding Standoff for **AstroCap**

Note:

- a) Liner sections should be continuous without any joints or seams.
- b) This is an approved system, therefore components in this system must not be substituted for any other manufacturer's products.



DV STOVE HORIZONTAL VENT KIT (# 946-116 & #946-216) INSTALLATION

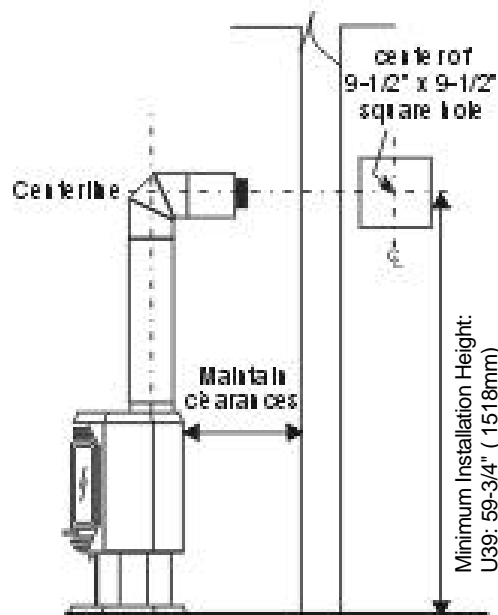
Review the following sequence of instructions which are typical of most installations. The sequence may vary depending on wall thickness. **Refer to vent location and clearance dimensions on pages 8 to 13.**

- 1) Set the unit in its desired location. Check to determine if wall studs will be in the way of the venting system, adjust location until all clearances are met and there are no obstructions.

Note: A 1-1/2" (38mm) clearance around the outer pipe must be maintained except that only a 1" (25mm) clearance is needed at the termination end.

IMPORTANT:

Do not locate termination hood where excessive snow or ice buildup may occur. Be sure to check vent termination area after snow falls, and clear to prevent accidental



blockage of venting system. When using snow blowers, make sure snow is not directed towards vent termination area.

- 2) Assemble a **trial fit** to determine the vertical center-line for the vent termination.

- a) Cut a 9-1/2" x 9-1/2" (241mm x 241 mm) square hole on both the interior and exterior wall.
- b) Install wall thimbles on both interior and exterior wall with 4 wood screws (#8 x 1") per thimble.
- c) Attach the 2 piece adjustable pipe section to the vent terminal and slide into position from the exterior. **The larger diameter end of the adjustable pipe goes to the vent terminal.**
- d) Install the 90° elbow onto the adjustable pipe to determine the vertical centerline of the starter collar on the unit.

INSTALLATION

Note: if the centerline cannot be met, the adjustable sections will have to be cut.

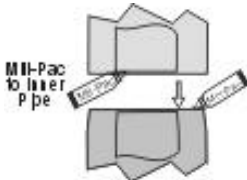
- e) Cut the 2 ft. or 4 ft. section of rigid pipe to length. Ensure that the pipe length when cut will seat onto both the starter collar and the 90° elbow. **Crimped section of rigid pipe seats into the 90° elbow. Only cut the uncrimped side of pipe.**

Dismantle all pipe sections including vent terminal.

- 3) Attach the 4" dia. flex liner to the vent terminal ensuring that the flex overlaps the collar of the vent terminal by a minimum of 1-3/8"(35mm). Use Mill-Pac to seal and secure with 3 of the #8 x 1/2" screws (stainless steel).
- 4) Attach the adjustable pipe section to the vent terminal using Mill-Pac and/or high temperature silicone and attach with 3 of the #8 x 1/2" screws (stainless steel).

Hint: Apply the sealant (Mill-Pac and/or high temperature silicone) to the outer pipe before connecting the inner pipe.

Note: The pipe seam should be facing down.



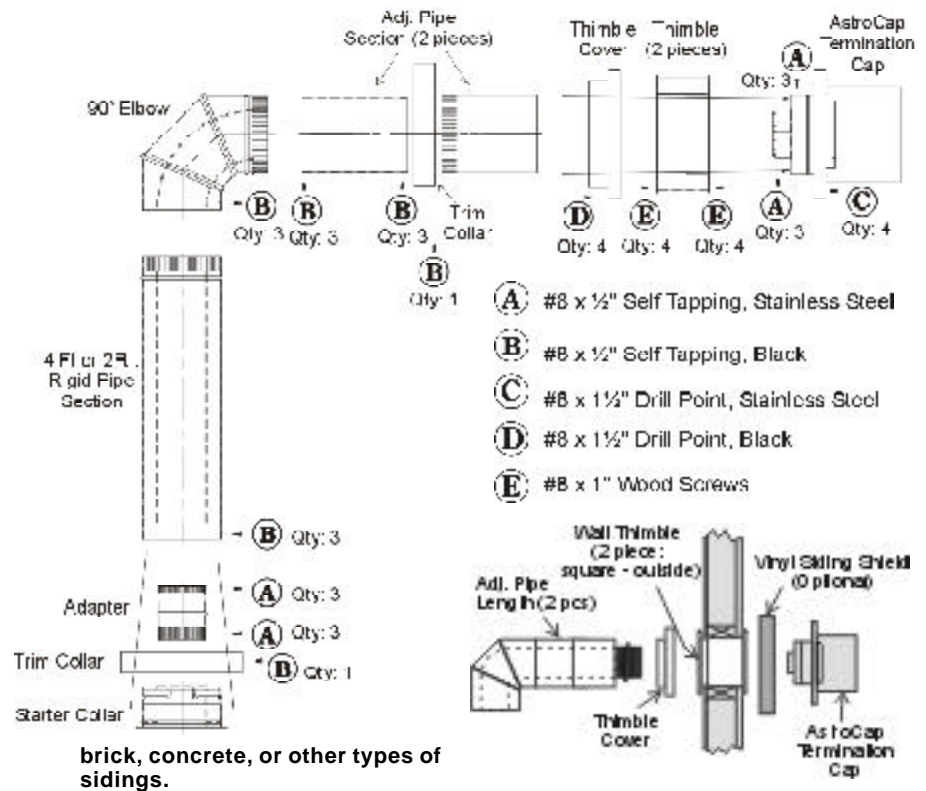
Note: To make the installation more aesthetically pleasing, we recommend framing out a square that the cap can be mounted on.



Note: If installing termination on a siding covered wall, a vinyl siding standoff or furring strips must be used to ensure that the termination is not recessed into the siding. For vinyl siding standoff installation refer to the Dura-Vent Termination instructions.

- 5) Slide the partially connected pipe and vent terminal assembly through the wall thimbles (from the exterior into the interior) and secure the cap to the exterior wall with 4 of the supplied screws (#8 x 1-1/2" drill point, stainless steel). Note: pilot holes will need to be drilled through the wall thimble on all 4 corners.

Note: The four screws provided for the vent cap should be replaced with appropriate fasteners for stucco,



brick, concrete, or other types of sidings.

- 6) A bead of non-hardening mastic should be run around both the termination and vinyl siding standoff to prevent water from entering and to make a tight seal between the cap and the standoff.
- 7) Stretch the 4" dia. flex liner out fully and get a trial fit of the liner onto the 4" dia. starter collar.
- 8) Cut the 4" dia. flex liner to the desired size.

Hint: leave an extra 12" to 16" of length, this will make the final assembly easier to work with.

- 9) Secure the 4" dia. flex liner to the 4" adapter with Mill-Pac and 3 of the #8 x 1/2" screws (stainless steel).
- 10) Slide the decorative Thimble Cover over the pipe sections and secure with 4 screws (#8 x 1-1/2" drill point, black) to the wall.

- 11) Slide the 90° elbow (crimp end up) and the 2 ft. or 4 ft. pipe section (crimp end up) over the 4" dia. flex liner.

- 12) Slide the trim collar over the adjustable pipe sections to cover the joint of the telescopic section.

- 13) Install the spring spacers onto the pipe sections.

- 14) Secure the 4" dia. flex liner with adapter

onto the stove collar. Put a bead of Mill-Pac around the appliance adapter and secure with 3 screws (#8 x 1/2, stainless steel).

- 15) Attach the pipe section onto the starter collar by sealing with Mill-Pac and/or high temperature silicone and securing with 3 of the #8 x 1/2" (black) screws. Pipe seams should be facing the wall.

- 16) Attach the 90° elbow onto the pipe section by sealing with Mill-Pac and/or high temperature silicone and securing with 3 of the #8 x 1/2" screws (black).

- 17) Slide the adjustable pipe section onto the 90° elbow. The flex may have to be compressed back in order for the adjustable pipe to properly mate to the elbow. Seal with Mill-Pac and/or high temperature silicone and secure with 3 of the #8 x 1/2" screws (black). Pipe seams facing down.

- 18) Install the trim collar over the starter collar and secure with a #8 x 1/2" screw (black).

If the pipe needs to be touched up, use only Stove Brite High Temperature Metallic Black Stove Paint.

NOTE: All inner joints must be sealed with Mill-Pac.

All outer joints may be sealed with high temperature silicone.

DURA-VENT TERMINATION KIT

Planning Your Dura-Vent Installation

There are two basic types of Dura-Vent Direct Vent System installations: horizontal termination and vertical termination. Confirm the maximum horizontal run and maximum vertical rise from the diagrams on pages 8-13.

When planning your installation, it will be necessary to select the proper length of vent pipe for your particular requirements. For horizontal installations, determine the minimum clearance from the rear of the unit to the wall. It is also important to note the wall thickness. (The wall thimble is suitable for 2 x 4 or 2 x 6 wall construction.) Select the amount of vertical rise desired for "vertical-to-horizontal" type installations.

Warning: Always maintain required clearances (air spaces) to nearby combustibles to prevent a fire hazard. Do not fill air spaces with insulation.

The minimum clearance requirements between the outer wall of the vent pipe and nearby combustible surfaces is 1-1/4 inch. Be sure to check the vent termination clearance requirements from decks, windows, soffits, gas regulators, air supply inlets and public walkways as specified in the Exterior Vent Terminal Locations on page 8 and in your local building codes.

To determine the length of vent pipe required for vertical installations, measure the distance from the unit flue outlet to the ceiling, the ceiling thickness, the vertical rise in an attic or second storey, and allow for sufficient vertical height above the roof line.

For multi-storey applications, fire stops are required at each floor level. If an offset is needed, additional pipe, elbows and supports will be required.

Note: These are the minimum pieces required. Other parts may be required for your particular installation. See page 13 for a list of vent parts.

If installing termination on a siding covered wall, a vinyl siding standoff or furring strips can be used in order to ensure that the termination is not recessed into siding.

The vinyl siding standoff is required for walls with vinyl siding.

Minimum components for a Dura-Vent Horizontal Installation:

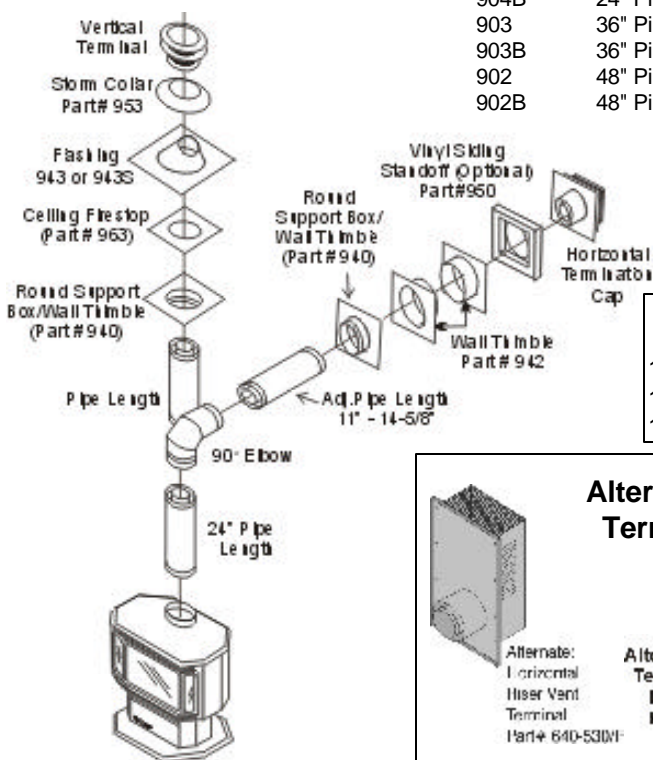
- A) Dura-Vent Horizontal Termination Kit
- B) Wall Thimble (required for combustible walls)

Minimum components for a Dura-Vent Vertical Termination:

- C) Dura-Vent Vertical Termination Kit
See page 12 for pipe lengths.

The Simpson Dura-Vent Direct Vent System offers a complete line of component parts for installation of both horizontal and vertical installation. Many items are offered in decorative black, as well as galvanized finish. The galvanized pipe and fittings are used for concealed locations such as attics or where corrosion is a factor, such as above the roof line. Decorative brass trim kits are available for both wall thimbles and ceiling support boxes.

| Part # | Description |
|--------|--|
| 971 | Horiz. Termination Kit includes: 90° black elbow, wall thimble cover, horiz. square termination cap, 24" black pipe, 11" -14" 5/8" adjustable black pipe |
| 970 | Basic Horiz. Termination Kit includes: 90° black elbow, wall thimble cover, horiz. square termination cap |
| 978 | Vert. Termination Kit includes 0/12 - 6/12 pitch adjustable flashing, storm collar, low profile term. cap |
| 908B | 6" Pipe Length-Black |
| 907B | 9" Pipe Length-Black |
| 906 | 12" Pipe Length Galv. |
| 906B | 12" Pipe Length-Black |
| 904 | 24" Pipe Length Galv. |
| 904B | 24" Pipe Length-Black |
| 903 | 36" Pipe Length Galv. |
| 903B | 36" Pipe Length-Black |
| 902 | 48" Pipe Length Galv. |
| 902B | 48" Pipe Length-Black |



**Dura-Vent Basic
Horizontal Kit # 970**

- 1 90° Elbow
- 1 Wall Thimble Cover
- 1 Horiz. Sq. Term. Cap

**Alternate Horizontal
Termination Caps**

Alternate:
Horizontal
Hiser Vent
Terminal
Part# 840-530M

Alternate Snorkel
Termination Cap
Part #982 (14")
Part #981 (36")

DURA-VENT VENTING COMPONENTS

You will require the following components with your new Regency Direct Vent Freestanding Gas Stove. Please review your product to make sure you have everything you need. In the event that you are missing any part, contact your dealer.

The Regency AstroCap™ is certified for installations using FPI venting systems as well as Simpson Dura-Vent® and Direct Vent GS. Regency™, and Regency AstroCap™ are the proprietary trademarks of FPI Fireplace Products International Ltd. Dura-Vent® and Direct Vent GS are registered and/or proprietary trademarks of Simpson Dura-Vent Co. Inc.

INSTALLATION

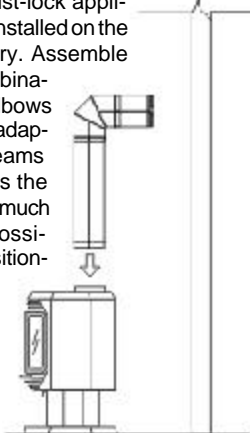
| | |
|-------|---|
| 911B | 11"-145/8" Adj. Pipe Length-Black |
| 917B | 17"- 24" Adj. Pipe Length Black |
| 945 | 45° Elbow Galv. |
| 945B | 45° Elbow-Black |
| 945G | 45° Elbow-Swivel Galv. |
| 945BG | 45° Elbow-Swivel-Black |
| 990 | 90° Elbow Galv. |
| 990B | 90° Elbow-Black |
| 990G | 90° Elbow-Swivel Galv. |
| 990BG | 90° Elbow-Swivel-Black |
| 991 | High Wind Term. Cap (Vertical) |
| 980 | Vertical Term. Cap |
| 984 | Horiz. Sq. Term. Cap |
| 985 | Horiz. Sq. High Wind Term. Cap |
| 982 | Snorkel-14" Rise Term.Cap |
| 981 | Snorkel-36" Rise Term.Cap |
| 940 | Wall Thimble-Support/Box |
| 941 | Cathedral/Ceiling-Support/Box |
| 3951 | Brass Trim-Wall Thimble/ Ceiling Support |
| 963 | Firestop Spacer |
| 943 | Flashing 0/12-6/12 |
| 943S | Flashing 7/12-12/12 |
| 953 | Storm Collar |
| 950 | Vinyl Siding Standoff |
| 988 | Wall Strap |
| 942 | Wall Thimble |

Parts not supplied by Dura-Vent

| | |
|-----------|--|
| 946-506/P | Vent Guard (Optional) |
| 640-530 | Riser Vent Terminal (Optional) |
| 948-128 | Vinyl Siding Shield for Riser Vent Terminal |
| 946-228 | Horizontal Square Termination Cap |

DURA-VENT HORIZONTAL INSTALLATIONS

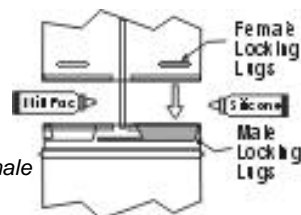
- 1) Set the unit in its desired location. Check to determine if wall studs or roof rafters are in the way when the venting system is attached. If this is the case, you may want to adjust the location of the unit.
- 2) Direct Vent pipe and fittings are designed with special twist-lock connections to connect the venting system to the appliance flue outlet. A twist-lock appliance adaptor is installed on the unit at the factory. Assemble the desired combination of pipe and elbows to the appliance adaptor with pipe seams oriented towards the wall or ceiling, as much out of view as possible. The final positioning of the pipe and 90° elbow assembly is determined by the mounting orientation of the



adaptor on the stove and twist-locked for a solid connection.

Note:

- a) Twist-lock procedure: Four indentations, located on the female ends of pipes and fittings, are designed to slide straight onto the male ends of adjacent pipes and fittings, by orienting the four pipe indentations so they match and slide in to the four entry slots on the male ends (diagram 1). Push the pipe sections completely together, then twist-lock one section clockwise approximately one-quarter turn, until the two sections are fully locked. The female locking lugs will not be visible from the outside on the Black Pipe or fittings. They may be located by examining the inside of the female ends. Apply sealant "Mill-Pac" to inner pipe and high temp silicone sealant to outer pipe on every twist-lock joint.



Hint: Apply silicone to female end.

Diagram 1

- b) Horizontal runs of vent must be supported every three feet. Wall straps are available for this purpose.
- 3) With the pipe attached to the stove, slide the stove into its correct location, and mark the wall for a 10" x 10" (inside dimensions) square hole. The center of the square hole should line up with the centerline of the horizontal pipe, as shown in diagram 2. Cut and frame the 10 inch square hole in the exterior wall where the vent will be terminated. If the wall being penetrated is constructed of non-combustible material, i.e. masonry block or concrete, a 7" diameter hole is acceptable.

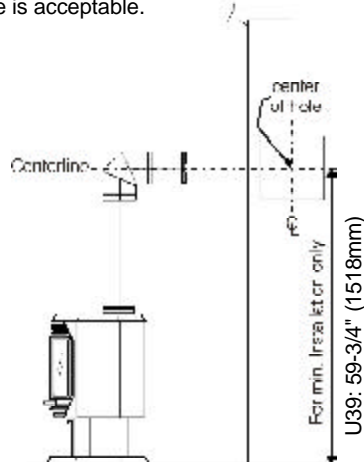


Diagram 2

Note:

- a) The horizontal run of vent should have a 1/4 inch rise for every 1 foot of run towards the termination. Never allow the vent to run downward. This could cause high temperatures and may present the possibility of a fire.
- b) The location of the horizontal vent termination on an exterior wall must meet all local and national building codes, and must not be blocked or obstructed. For External Vent Terminal Locations, see diagram on page 8.
- c) **Snorkel Terminations:**
For installations requiring a vertical rise on the exterior of the building, 14-inch and 36-inch tall Snorkel Terminations as shown in Dia. 3 are available, as well as the standard Riser Vent, see Dia. 3a. Follow the same installation procedures as used for standard Horizontal Termination. NEVER install the snorkel upside down.

*Dia 3, 3a & 4: As specified in CGA B149 Installation Code. Local codes or regulations may require different clearances.

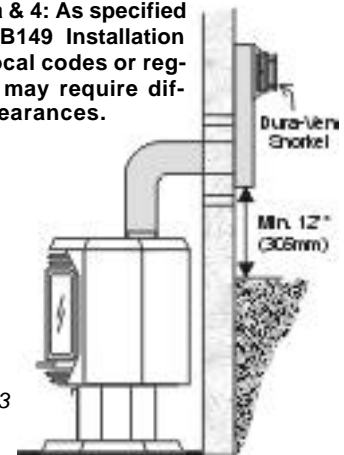


Diagram 3

NOTE: For Snorkel terminations in ABOVE grade installations, follow national or local code requirements.

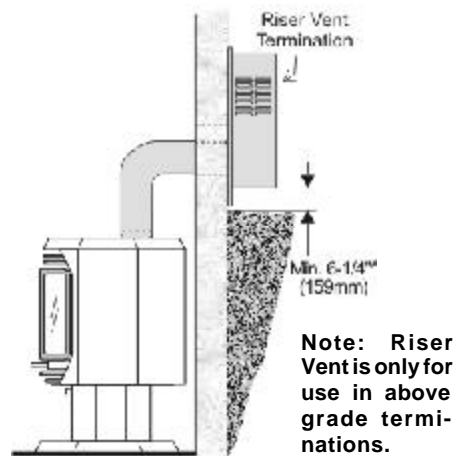


Diagram 3a

Note: Riser Vent is only for use in above grade terminations.

Below Grade Installation

If the Snorkel Termination must be installed below grade, i.e. basement application, proper drainage must be provided to prevent water from entering the Snorkel Termination. Refer to Dia. 4. Do not attempt to enclose the Snorkel within the wall, or any other type of enclosure.

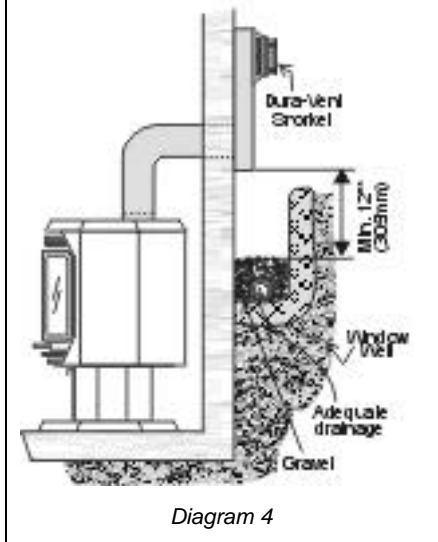


Diagram 4

- 4) If installing the vent termination to a wall with vinyl siding, the Vinyl Siding Standoff must be used. Attach the Vinyl Siding Standoff to the Horizontal Vent Termination, but first run a bead of non-hardening mastic around its outside edges, so as to make a seal between vent cap and the standoff. Install the Vinyl Siding Standoff (Part # 950) between the vent cap and the exterior wall and attach with the four wood screws provided. Seal around the Vinyl Siding Standoff on all four sides. Diagram 5. **The arrow on the vent cap should be pointing up.** Insure that the 1-1/4" clearances to combustible materials are maintained. See diagram 5.

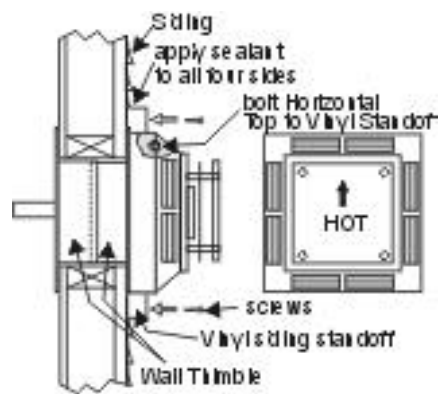


Diagram 5

Note: If installing termination on a siding covered wall, a vinyl siding standoff or furring strips must be used to ensure that the termination is not recessed into the siding. The four wood screws provided should be replaced with appropriate fasteners for stucco, brick, concrete, or other types of sidings.

- 5) Before connecting the horizontal run of vent pipe to the vent termination, slide the black decorative wall thimble cover over the vent pipe, then slide the Wall Thimble (Part # 942) over the vent pipe.
- 6) Slide the appliance and vent assembly towards the wall carefully inserting the vent pipe into the vent cap assembly. It is important that the vent pipe extends into the vent cap a sufficient distance so as to result in a minimum pipe overlap of 1-1/4 inches. Secure the connection between the vent pipe and the vent cap by attaching the two sheet metal strips extending from the vent cap assembly into the outer wall of the vent pipe. Use the two sheet metal screws provided to connect the strips to the pipe. Bend any remaining portion of the sheet metal strip back towards the vent cap, so it will be concealed by the decorative wall thimble cover. See diagram 6.

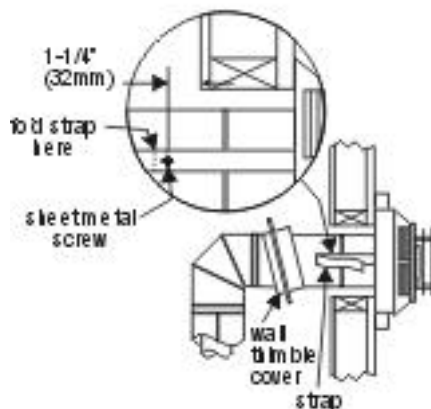


Diagram 6

- 7) Install the Wall Thimble in the center of the 10" square and attach with wood screws.
- 8) Slide the decorative wall thimble up to the wall surface being careful not to scratch the paint and attach with screws provided. Apply decorative brass or chrome trim if desired. See diagram 7.

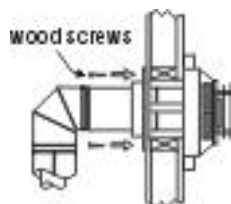


Diagram 7

DURA-VENT VERTICAL TERMINATION

- 1) Maintain the 1-1/4" clearances (air spaces) to combustibles when passing through ceilings, walls, roofs, enclosures, attic rafter, or other nearby combustible surfaces. Do not pack air spaces with insulation. Check page 9 for the maximum vertical rise of the venting system and the maximum horizontal offset limitations.

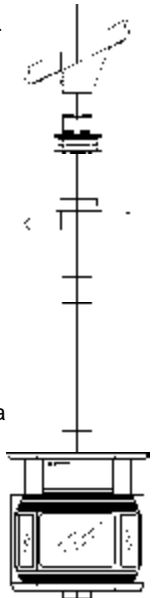


Diagram 8

- 2) Set the gas appliance in its desired location. Drop a plumb bob down from the ceiling to the position of the appliance flue exit, and mark the location where the vent will penetrate the ceiling. Drill a small hole at his point. Next, drop a plumb bob from the roof to the hole previously drilled in the ceiling, and mark the spot where the vent will penetrate the roof. Determine if ceiling joists, roof rafters or other framing will obstruct the venting system. You may wish to relocate the appliance or to offset, as shown in diagram 9 to avoid cutting load bearing members.

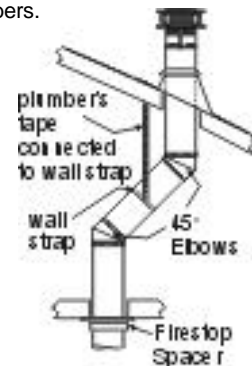


Diagram 9

- 3) To install the Round Support Box/Wall Thimble in a flat ceiling, cut a 10 inch square hole in the ceiling centred on the hole drilled in Step 2. Frame the hole as shown in diagram 10.

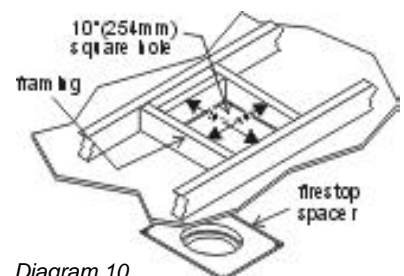


Diagram 10

INSTALLATION

- 4) Assemble the desired lengths of black pipe and elbows necessary to reach from the appliance adaptor up through the Round Support Box. Insure that all pipes and elbow connections are in the fully twist-locked position and sealed.
- 5) Cut a hole in the roof centred on the small drilled hole placed in the roof in Step 2. The hole should be of sufficient size to meet the minimum requirements for clearance to combustibles of 1-1/4". Slip the flashing under the shingles (shingles should overlap half the flashing) as per diagram 11.

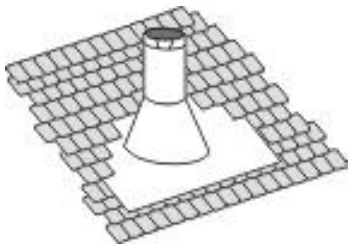


Diagram 11: The upper half of the flashing is installed under the roofing material and not nailed down until the chimney is installed. This allows for small adjustments.

- 6) Continue to assemble pipe lengths.

Note: If an offset is necessary in the attic to avoid obstructions, it is important to support the vent pipe every 3 feet, to avoid excessive stress on the elbows, and possible separation. Wall straps are available for this purpose. See diagram 7.

Galvanized pipe and elbows may be utilized in the attic as well as above the roofline. The galvanized finish is desirable above the roofline due to its higher corrosion resistance.

Continue to add pipe sections through the flashing until the height of the vent cap meets the minimum height requirements specified in diagram 12 or local codes. Note that for steep roof pitches, the vertical height must be increased. A poor draft, or down drafting can result from high wind conditions near big trees or adjoining roof lines, in these cases, increasing the vent height may solve the problem.

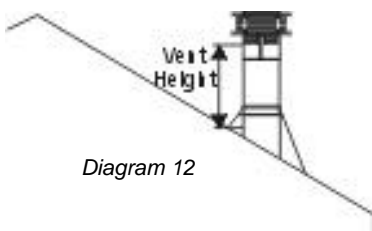


Diagram 12

| Roof Pitch | Minimum Vent Height | |
|---------------------|---------------------|--------|
| | Feet | Meters |
| flat to 7/12 | 2 | 0.61 |
| over 7/12 to 8/12 | 2 | 0.61 |
| over 8/12 to 9/12 | 2 | 0.61 |
| over 9/12 to 10/12 | 2.5 | 0.76 |
| over 10/12 to 11/12 | 3.25 | 0.99 |
| over 11/12 to 12/12 | 4 | 1.22 |
| over 12/12 to 14/12 | 5 | 1.52 |
| over 14/12 to 16/12 | 6 | 1.83 |
| over 16/12 to 18/12 | 7 | 2.13 |
| over 18/12 to 20/12 | 7.5 | 2.29 |
| over 20/12 to 21/12 | 8 | 2.44 |

- 7) Ensure vent is vertical and secure the base of the flashing to the roof with roofing nails, slide storm collar over the pipe section and seal with a mastic.

- 8) Install the vertical termination cap by twist locking it.

Notes:

- a) For multistorey vertical installations, a Ceiling Fire stop (Part #963) is required at the second floor, and any subsequent floor. Diagram 13. The opening

should be framed to 10" x 10" inside dimensions, in the same manner as shown in diagram 10.

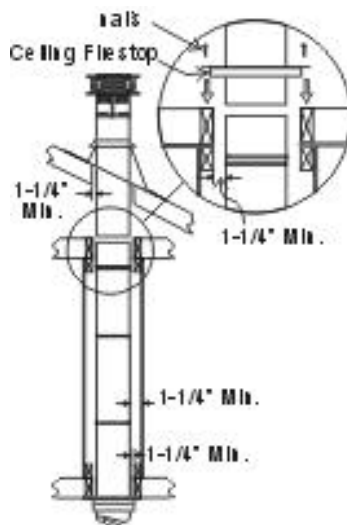
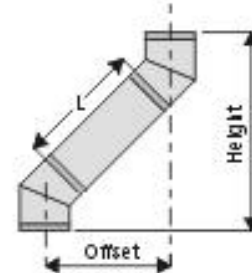


Diagram 13

Offset Chart

| G 8 6" (152mm) Nominal Diameter ID | | | | | |
|------------------------------------|-----|-----------------|------|--------|------|
| Offset | | Pipe Length (L) | | Height | |
| Inches | mm | Inches | mm | Inches | mm |
| 4 1/4 | 121 | 0 | 0 | 13 1/4 | 337 |
| 9 | 229 | 6 | 152 | 17 1/2 | 445 |
| 11 1/4 | 286 | 9 | 229 | 19 1/2 | 495 |
| 13 1/4 | 337 | 12 | 305 | 21 3/4 | 552 |
| 21 3/4 | 552 | 24 | 610 | 30 1/4 | 768 |
| 30 1/4 | 768 | 36 | 914 | 39 | 991 |
| 38 | 965 | 48 | 1219 | 47 | 1194 |



- b) Any occupied areas above the first floor, including closets and storage spaces, through which the vertical vent passes, must be enclosed.

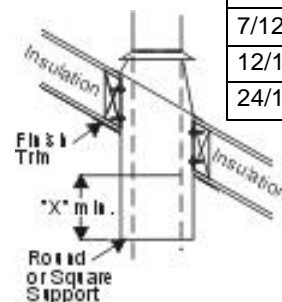
CATHEDRAL CEILINGS

Round Support (RDS) & Square Support (SQS)

If your home has a cathedral ceiling (no attic space between the ceiling and the roof), install the chimney and support as follows.

- 1) Situate the chimney in a convenient location as near as possible to the appliance outlet. Cut and frame a hole in the roof for the support. The sides of this hole must be vertical with 1 1/4" clearance.
- 2) Place the support in the opening. Lower it to the correct height as determined by the table and diagram below.

| Slope | "X" |
|---------------|---------|
| 0/12 - 2/12 | 4" |
| 2/12 - 7/12 | 5-1/2" |
| 7/12 - 12/12 | 6-3/4" |
| 12/12 - 24/12 | 7-1/2" |
| 24/12+ | 12-1/2" |



Using a level, make sure the support is vertical. If the support extends above the roof, cut it flush with the top of the roof. Nail the support to the frame opening using (8) 3" spiral nails or #8 x 1-1/2" screws.

Note: If you are using a 6" square support you may find it difficult to screw it in place because it is fairly small inside.

Simpson Dura-Vent has provided angle brackets with this support which can be screwed to the outside of the support box and nailed to surrounding framing as required. Use a minimum of four #8 x 1/2" screws per bracket. In some cases these brackets may need to be trimmed (e.g.: to fit under a flashing). Place the Finish Collar around the support and fasten it to the ceiling using the screws provided.

- 3) Use appropriate roof flashing. Place the flashing under the upper shingles and on top of the lower shingles approximately half of the flashing should be under the shingles.
- 4) Assemble the desired lengths of Black Pipe and Elbows necessary to reach from the appliance adaptor up through the support box and flashing to proper height as per Dia. 12, local codes or page 11. Ensure that all pipe and elbow connections are in their fully twist lock position.
- 5) Ensure vent is vertical and secure flashing to the roof with roofing nails. Slide the storm collar over the pipe section and seal with a mastic.
- 6) Twist lock the vent cap on to the last section.

Support Extensions - Round (RDSE) or Square (SQSE)

Steep pitched cathedral ceilings may require the use of a support extension. This piece fits down inside the support and can be adjusted to increase the support's length by up to 22". The extension is attached to the support using the eight metal screws provided. Be sure there is at least a 2 inch overlap where the extension joins the support.

CONVERTING A CLASS-A METAL CHIMNEY OR MASONRY CHIMNEY TO A DIRECT VENT SYSTEM

General

There are two different types of direct vent conversion systems listed below. Follow the appropriate directions for your installation.

- A) Through an existing factory built metal chimney going through the ceiling: A typical conversion of this type is shown in diagram 1. The concept of direct vent conversion is to connect an adaptor to an Underwriters Laboratories (UL) listed 4 inch diameter aluminum flex pipe which is then passed down through the center of the existing metal chimney system. Three sizes of Top Adaptors are available from Simpson Dura-Vent. The Retro Connector (909B) is attached to the bottom of the flex pipe. The Top Adaptor and the Retro Connector are attached to the existing chimney with sheet metal screws. The appliance is then connected to the chimney with appropriate black direct vent pipe and an adjustable length section.
- B) Through the wall of an existing masonry chimney: A typical conversion of an existing masonry chimney is shown in Diagram 6. A Top Adaptor (985K) and Flashing are used at the top of the masonry chimney. The 4 inch aluminum liner is connected to the adaptor and is passed down the chimney and out through the masonry wall and attached to the Retro Connector (909B). The Retro Connector is attached to the masonry wall and then connected to the direct vent pipe leading to the appliance.

Prior to installation and connection of the vent system to a factory-built or masonry chimney, the chimney must be inspected and thoroughly cleaned by a qualified service person, such as a certified chimney sweep or home inspection service.

The direct vent system must not be connected to a damaged factory-built or masonry chimney.

For factory built, zero clearance, and masonry chimneys cleanout doors and caps or plugs for cleanout tee fittings and ash dumps shall be secured in place and sealed before installing a Direct Vent system within the chimney.

If the appliance shuts off during operation, contact a qualified service person to determine if a negative pressure and/or leaky chimney condition exists. Do not operate the appliance until the problem is corrected.

Approved for US Installations Only

The use of an existing chimney as an air intake is not covered under the ANSI Z21.88b-1999, CSA 2.33b-M99 test methods and the resulting ITS/WHI product certification. The code Authority Having Jurisdiction must be consulted prior to proceeding with this installation method.

Converting a Factory Built Metal Chimney

- 1) Remove the existing chimney cap.
- 2) Measure the distance from the top end of the chimney to the bottom of the ceiling support box, add 3" (76mm) to this measurement, and cut a section of the 4" flex pipe to that length (the flex should already be extended to its nominal length).

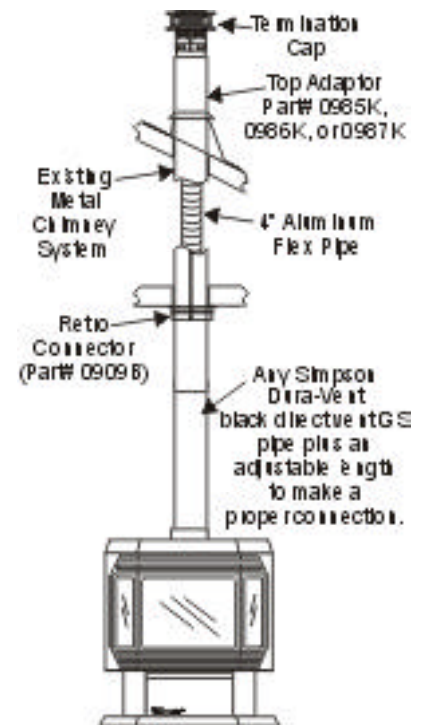


Diagram 1

- 3) Connect the end of the flex pipe section to the underside of the Top Adaptor using 3 sheet metal screws. Diagram 2.

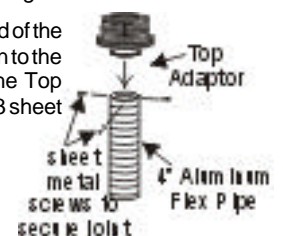


Diagram 2

INSTALLATION

- 4) Pass the flex pipe down through the center of the chimney system, and center the adaptor on the top of the chimney pipe. Drill four 1/8" diameter holes through the adaptor and into the chimney top. Insure that you are in fact, drilling into the metal on the chimney. Twist-lock the Termination Cap (Part# 980 or 991) onto the Adaptor. (Diagram 3 and 4).

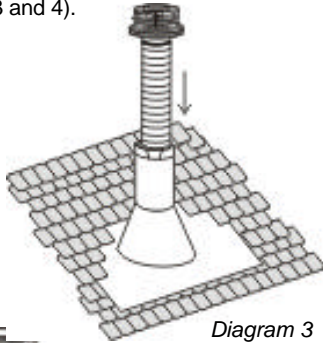


Diagram 3

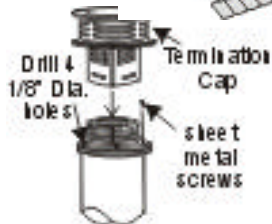


Diagram 4

- 5) Pull the flex pipe down through the ceiling support box, until it protrudes approximately 3" (76mm). Connect the flex pipe to the Retro Connector by slipping it into the 4-3/4" diameter sleeve on the top side of the Connector. Use 3 sheet metal screws to assemble these two parts.
- 6) Push the flex pipe back up into the ceiling support box, center the Retro Connector, and attach it to the support box, or decorative sleeve for double wall solid packed pipe, with the sheet metal screws (supplied). The holes in the Retro Connector are pre-punched. Diagram 5.

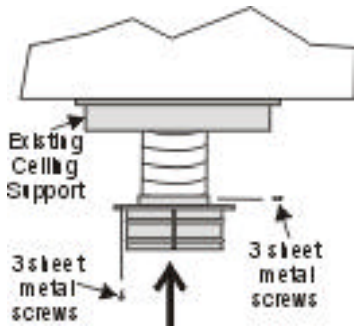


Diagram 5

- 7) The connection between the appliance and the Retro Connector may be completed with sections of black direct vent pipe, together with an adjustable length.

Converting a Masonry Chimney

Important: The existing masonry flue opening needs to have an area of at least a 36 sq. in. to insure proper intake/exhaust flow.

- 1) Before cutting any holes, assemble the desired sections of black direct vent pipe to determine the center of the masonry penetration.

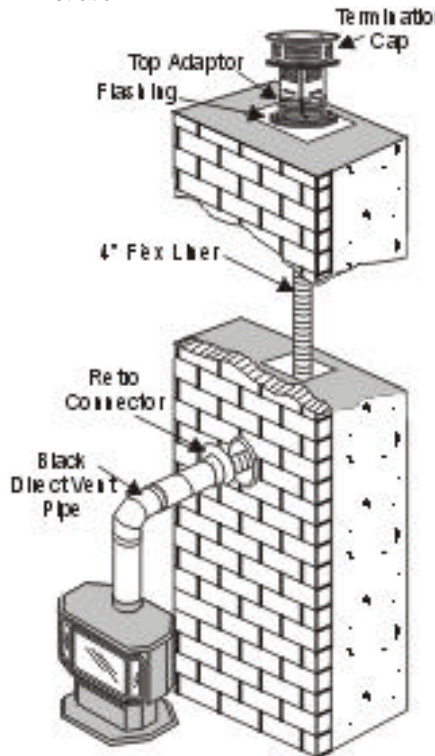


Diagram 6

- 2) Once the center point of the penetration has been determined, cut a 6" (152mm) dia. hole in the masonry. Be careful, if the hole is too large, the Retro Connector might not mount properly, and if the hole is too small, then the appliance might starve for intake air. If there is a frame wall in front of the masonry wall, cut and frame a 10" (254mm) clear square opening in the wall (centered around the 6" (152mm) masonry opening). IF there is sheet rock only (no studs) in front of the masonry, the 10" (254mm) clear opening is still needed, but does not need to be framed. This allows the Retro Connector to mount directly on the masonry and provide clearance to the combustibles. Diagram 11.

- 3) Secure the Flashing (Part # 705C) to the top of the masonry chimney using a bead of non-hardening sealant-adhesive. If the Flashing is larger than the top of the chimney, then cut and fold flashing as needed to fit chimney. Diagram 7.

Cut and bend Flashing as needed to fit chimney

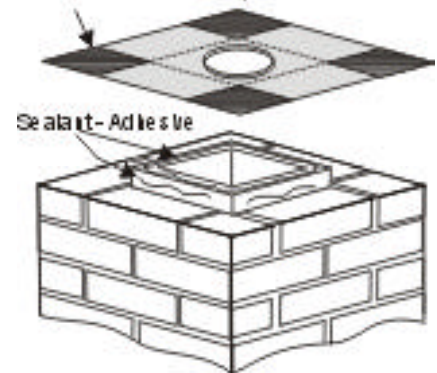


Diagram 7

- 4) To determine the length of flex required, measure from 3" (76mm) above the top of the Flashing down to the level of the opening. Add to this measurement the distance from the center of the chimney to out through the wall. Cut a piece of 4" flex to this length (the flex should already be extended to its nominal length).
- 5) Connect the 4" flex liner to the Top Adaptor (Part # 985K) using 3 sheet metal screws. Diagram 2.
- 6) Feed the 4" flex liner through the Flashing into the chimney. Continue to feed the liner out through the opening in the masonry wall.
- 7) Secure the Top Adaptor to the Flashing. Use 3 sheet metal screws through the side of the adaptor into the flange on the Flashing (diagram 8). Twist lock the Termination Cap (Part # 980 or 991) on to the Top Adaptor.

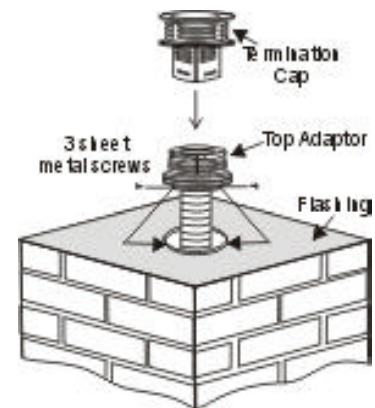


Diagram 8

- 8) Attach the flex to the Retro Connector. Use 3 sheet metal screws to attach the flex liner to the Connector. Diagram 9. Mount the Retro Connector to the masonry wall using masonry bolts. Re-drill larger holes on connector as needed. Be careful to insure that the connector is centered in the opening and the mounting holes line up with the masonry wall.

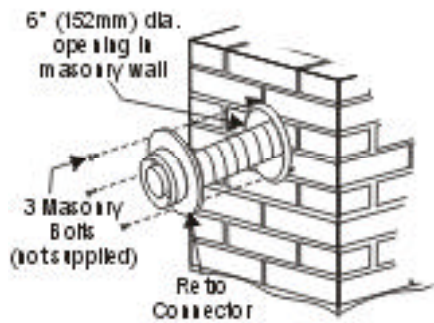


Diagram 9

- 9) Slide the Wall Thimble Cover (Part # 940) over the Retro Connector and secure with masonry bolts. Diagram 10. If you have a framed wall in front of the masonry, use wood screws to mount the Wall Thimble Cover to the framed wall, over the Retro Connector and the 10" (254mm) square framed opening. Diagram 11. If needed, add a section of direct vent pipe to the Retro Connector in order to extend through the opening in the Wall Thimble Cover.

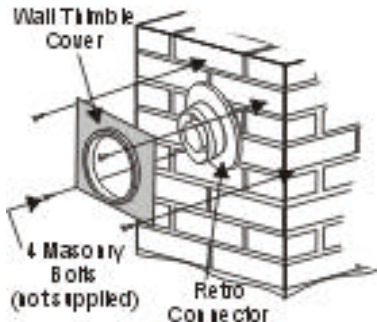


Diagram 10

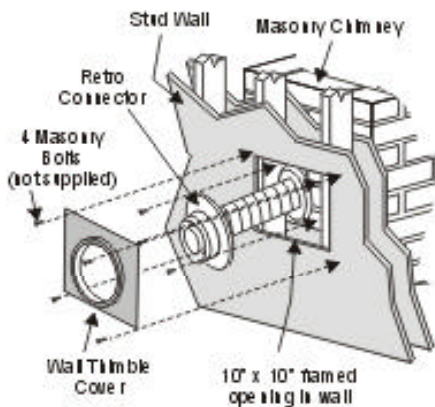


Diagram 11

- 10) The connection between the appliance and the Retro Connector may be completed with a section of black direct vent pipe, together with an adjustable length pipe section.

| System Data U39 with 40,000 BTU | |
|---|--|
| U39-NG: For 0 to 2000 feet altitude U39-LP: For 0 to 4500 feet altitude | |
| Burner Inlet Orifice Sizes: Natural Gas Propane Burner #32 #50 | |
| Max. Input - Natural Gas/Propane 38,000 Btu/h | |
| Min. Input - Natural Gas/Propane 20,000 Btu/h | |
| Supply Pressure Natural Gas min. 5" w.c. Propane min. 12" w.c. | |
| Manifold Pressure Natural Gas 3.8" +/- 0.2" w.c. Propane 11" +/- 0.2" w.c. | |
| Electrical: 120 V. 1.13A 60Hz. Circulation: Variable speed fan, 125/75 CFM. Log Set: Ceramic fiber, 7 per set. | |
| System Data: HIGH ELEVATION - U39-NG | |
| For 2,000 - 4,500 feet altitude | |
| Burner Inlet Orifice Sizes: Natural Gas Burner #33 | |
| Max. Input Rating 36,100 Btu/h Min. Input Rating 19,000 Btu/h | |
| System Data U39 Converted to 30,000 Btu | |
| For 0 to 4500 feet altitude | |
| Burner Inlet Orifice Sizes: Natural Gas Propane Burner #37 #52 | |
| Max. Input - Natural Gas/Propane 30,000 Btu/h | |
| Min. Input - Natural Gas/Propane 15,000 Btu/h | |
| Supply Pressure Natural Gas min. 5" w.c. Propane min. 12" w.c. | |
| Manifold Pressure Natural Gas 3.8" +/- 0.2" w.c. Propane 11" +/- 0.2" w.c. | |
| Electrical: 120 V. 1.13A 60Hz. Circulation: Variable speed fan, 125/75 CFM. Log Set: Ceramic fiber, 7 per set. | |

GAS CONNECTION

The gas connection is a 3/8" NPT 90° elbow. The gas line can be rigid pipe or to make installation easier, use a listed flexible connector and/or copper tubing if allowed by local codes. Since some municipalities have additional local codes it is always best to consult with your local authorities and the CAN/CGA B149 installation codes.

For USA installations follow local codes and/or the current National Fuel Gas Code, ANSI Z223.1.

When using copper or flex connectors use only approved fittings. Always provide a union so that gas lines can be easily disconnected for burner and/or valve servicing. Flare nuts for copper lines and flex connectors are usually considered to meet this requirement.

Important: Always check for gas leaks with a soap and water solution or gas leak detector. Do not use open flame for leak testing.

Note: Prior to any pressure testing of the gas supply piping system that exceeds test pressures of 1/2 psig, this appliance must be disconnected from the piping system. If test pressures equal to or less than 1/2 psig are used then this appliance must be isolated from the piping system by closing its individual manual shut-off valve during the testing.

HIGH ELEVATION

This unit (at 38,000 Btu/h) is approved in Canada for altitude 2000 ft. to 4500 ft. (CAN/CGA-2.17-M91) with the orifice kit Part # 621-975. For Natural Gas installations above 4500 ft. follow current CAN/CGA-B149.1.

In U.S.A., for installations above 2000 ft. refer to current ANSI Z223.1 Sc8-8.1.2a appendix F, for resizing orifice.

INSTALLATION

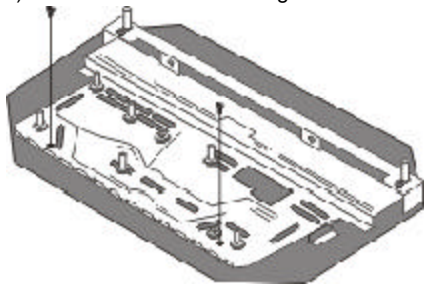
CONVERSION FROM NATURAL GAS TO PROPANE

**THIS CONVERSION MUST BE DONE BY A QUALIFIED GAS FITTER
IF IN DOUBT DO NOT DO THIS CONVERSION !!**

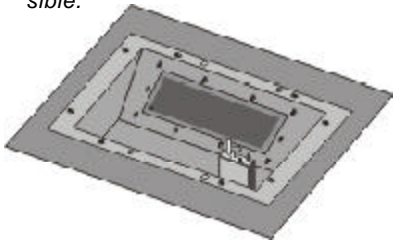
Conversion Kit #730-969 Contains:

| Qty. | Part # | Description |
|------|---------|--|
| 1 | 910-018 | SIT Conversion Kit- 50% Turndown LP |
| 1 | 910-037 | LP Injector (Pilot Orifice) |
| 1 | 904-641 | Burner Orifice #50 |
| 1 | 908-528 | Red "PROPANE" label |
| 1 | 908-255 | Label "Converted to Propane" |
| 1 | 918-032 | Instruction Sheet |

- 1) Shut off the gas supply.
- 2) Open the front door and carefully remove the logs and lava rock.
- 3) Remove burner. See diagram below.



Note: Use a magnetic type screwdriver if possible.



Pilot assembly is now accessible for steps 4) to 9).

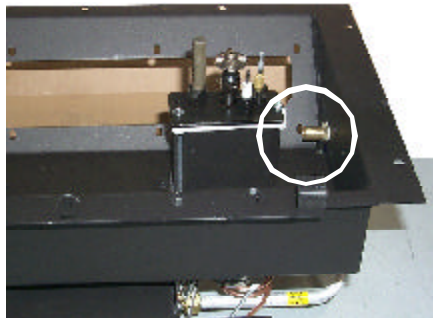
- 4) Remove and discard the 3 pressure regulator mounting screws (A), pressure regulator tower (B) and diaphragm (C).
- 5) Insure that the rubber gasket (D) is properly positioned and install the new HI/LO pressure regulator assembly to the valve using the new screws (E) supplied with the kit. Tighten screws securely.
- 6) Pull off the pilot cap to expose the pilot orifice.



- 7) Unscrew the pilot orifice with the allen key and replace with the LP pilot orifice in the kit.

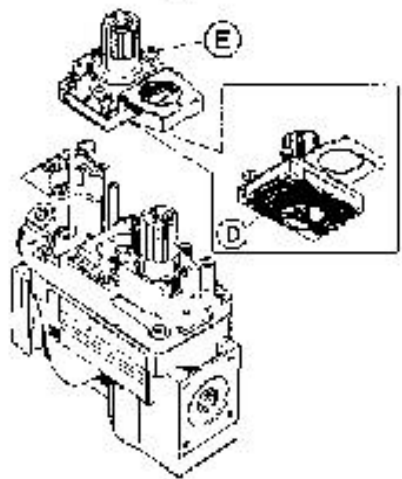


- 8) Remove burner orifice with a 1/2" wrench and discard. Use a wrench to hold on to the elbow behind the orifice.



Burner Orifice

- 9) Reinstall new burner orifice LP stamped #50 and tighten.
- 10) Reverse steps 3) to 2).
- 11) Attach the Conversion label "This unit has been converted to Propane" on top of the Serial # decal.
- 12) Replace yellow "Natural Gas" label with red "Propane" label
- 13) Check for gas leaks.
- 14) Check inlet and outlet pressures.
- 15) Check operation of flame control.
- 16) Check for proper flame appearance and glow on logs.



**Installer Notice:
These instructions must be left
with the appliance.**

CONVERSION TO LOWER BTU RATING

THIS CONVERSION MUST BE DONE BY A QUALIFIED GAS FITTER IF IN DOUBT DO NOT DO THIS CONVERSION !!

Natural Gas Conversion Kit 730-920

Contains:

| Qty. | Part # | Description |
|------|---------|----------------------------------|
| 1 | 904-240 | Burner Orifice #37 (Natural Gas) |
| 1 | 918-034 | Decal "Converted to 30,000 Btu" |
| 1 | 918-033 | Instruction Sheet |

Propane Conversion Kit 730-922

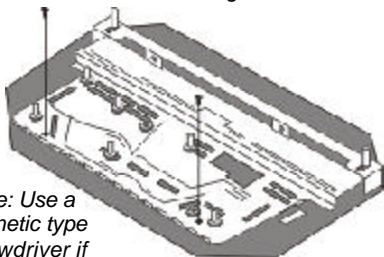
Contains:

| Qty. | Part # | Description |
|------|---------|---------------------------------|
| 1 | 904-390 | Burner Orifice #52 (Propane) |
| 1 | 918-034 | Decal "Converted to 30,000 Btu" |
| 1 | 918-033 | Instruction Sheet |

Additional Piece (pkg. with unit):

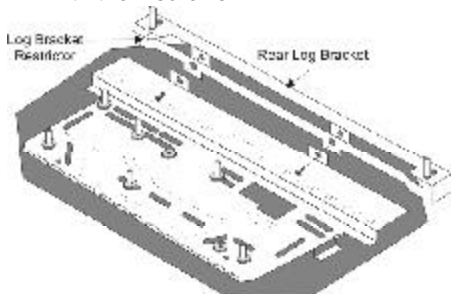
| | |
|---|------------------------|
| 1 | Log Bracket Restrictor |
|---|------------------------|

- 1) Shut off the gas supply.
- 2) Open the front door. Carefully remove the logs and lava rock.
- 3) Remove burner. See diagram below.



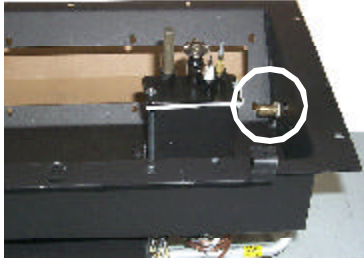
Note: Use a magnetic type screwdriver if possible.

- 4) Unscrew the 2 Rear Log Pins and move to the front hole position.
- 5) Remove Rear Log Bracket and slide the Log Bracket Restrictor between the Rear Log Bracket and the burner, secure with the 2 screws.



Position the Log Bracket Restrictor between the Rear Log Bracket and the burner.

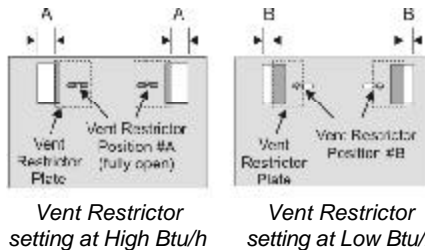
- 6) Remove burner orifice with a 1/2" wrench and discard.



Burner Orifice

- 7) Reinstall new burner orifice (NG stamped #37 or LP stamped #52) and tighten.
- 8) Reverse steps 3) and 2).
- 9) Adjust Vent restrictor setting: To set the Vent restriction as indicated in the diagram, simply loosen the screws and push the vent restrictor plate to the correct position. Tighten the screws.

| Unit | Btu/h | Restrictor Opening |
|------|--------|--------------------|
| U39 | 38,000 | A 1-3/4" (44mm) |
| | 30,000 | B 1-1/4" (32mm) |



- 10) Attach the label "This unit has been converted to..." on top of the Serial # decal over the higher Btu information.

- 11) Check for gas leaks.
- 12) Check inlet and outlet pressures.
- 13) Check operation of flame control. Check for proper flame appearance and glow on logs.

GAS PIPE PRESSURE TESTING

The appliance must be isolated from the gas supply piping system by closing its individual manual shut-off valve during any pressure testing of the gas supply piping system at test pressures equal to or less than 1/2 psig. (3.45

kPa). Disconnect piping from valve at pressures over 1/2 psig.

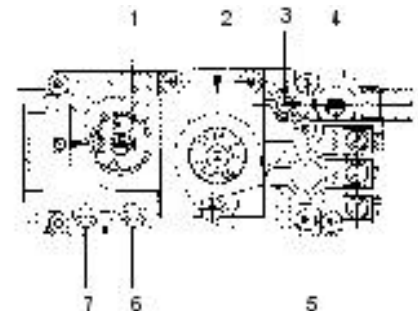
The manifold pressure is controlled by a regulator built into the gas control, and should be checked at the pressure test point.

Note: To properly check gas pressure, both inlet and manifold pressures should be checked using the valve pressure ports on the valve.

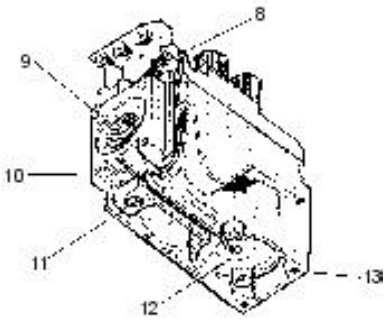
- 1) Make sure the valve is in the "OFF" position.
- 2) Loosen the "IN" and/or "OUT" pressure tap(s), turning counterclockwise with a 1/8" wide flat screwdriver.
- 3) Attach manometer to "IN" and/or "OUT" pressure tap(s) using a 5/16" ID hose.
- 4) Light the pilot and turn the valve to "ON" position. Read manometer.
- 5) The pressure check should be carried out with the unit burning and the setting should be within the limits specified on the safety label.
- 6) When finished reading manometer, turn off the gas valve, disconnect the hose and tighten the screw (clockwise) with a 1/8" flat screwdriver. **Note: Screw should be snug, but do not over tighten**

Valve Description

- 1) Gas cock knob
- 2) Manual high/low adjustment
- 3) Pilot Adjustment
- 4) Thermocouple Connection
- 5) Main Operator
- 6) Outlet Pressure Tap (Manifold Pressure)
- 7) Inlet Pressure Tap (Supply Pressure)
- 8) Pilot Outlet
- 9) Main Gas Outlet
- 10) Flange Securing Screw Holes
- 11) Alternative TC Connection Point
- 12) Thermoelectric Unit
- 13) Additional Valve Mounting Hole



INSTALLATION



AERATION ADJUSTMENT

The burner aeration is factory set but may need adjusting due to either the local gas supply or altitude.

U39 with 38,000 Btu/h

| | | |
|--------|--------------|-----------|
| U39-NG | Natural Gas: | 1/4" open |
| U39-LP | Propane: | 1/2" open |

U39 with 30,000 Btu/h

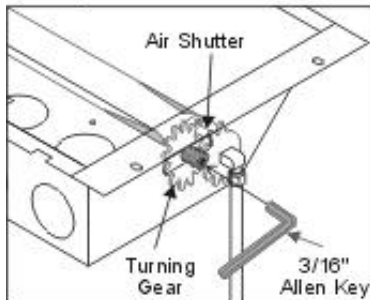
| | | |
|--------|-------------|------------|
| U39-NG | Natural Gas | 3/16" open |
| U39-LP | Propane | 3/8" open |

The aeration adjustment gears are located on the right side of the burner box and can be accessed from the side or from the front when the louvers are removed.



To adjust the aeration: use the allen key to turn the turning gear which will adjust the air shutter. Open the air shutter for a blue flame or close it for a yellow flame.

Closed - Tall yellow flame
Open - Short blue flame



Clockwise to open,
counter-clockwise to close.

Caution: Carbon will be produced if the air shutter is closed too much.

Note: Any damage due to carboning resulting from improperly setting the aeration controls is NOT covered under warranty.

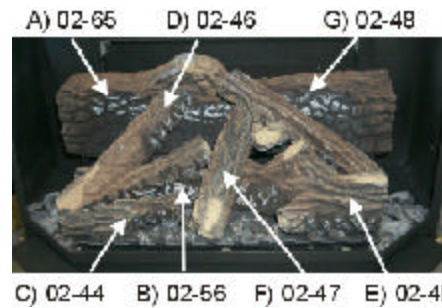
Note: Aeration Adjustment should only be performed by an authorized Regency Installer at the time of installation or service.

LOG SET INSTALLATION

Read the instructions below carefully and refer to the diagrams. If logs are broken do not use the unit until they are replaced. Broken logs can interfere with the pilot operation.

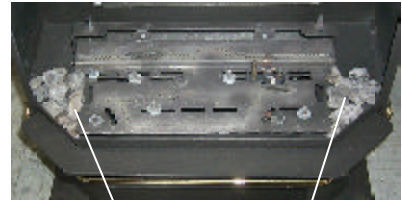
The gas log kit contains the following:

- | | | | |
|----|-------|------------------|---------|
| a) | 02-65 | Rear Log | 902-267 |
| b) | 02-56 | Middle Left Log | 902-230 |
| c) | 02-44 | Front Left Log | 902-228 |
| d) | 02-46 | Left Top Log | 902-231 |
| e) | 02-45 | Front Right Log | 902-229 |
| f) | 02-47 | Center Log | 902-232 |
| g) | 02-48 | Middle Right Log | 902-226 |
| h) | | Embers | 902-151 |
| i) | | Lava | 902-154 |



The "02" refer numbers (i.e. 02-65) are molded into the rear of each log.

- Carefully remove the logs from the box and unwrap them. The logs are fragile, handle with care - **do not force into position.**
- Sprinkle the embers on the left and right sides of the firebox base.



Embers Embers

- Place Rear Log A)02-65 on the two pins on the rear log support.

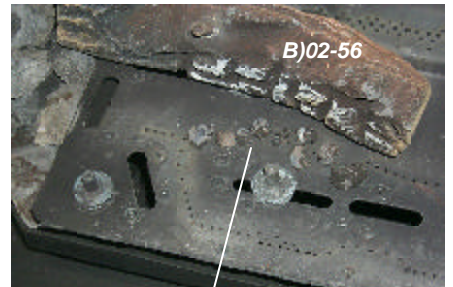


Pins on Rear Log Support

- Place the Middle Left Log B)02-56 on the two pins as shown.



- Sprinkle some lava rock just in front of B) 02-56 on the burner holes.



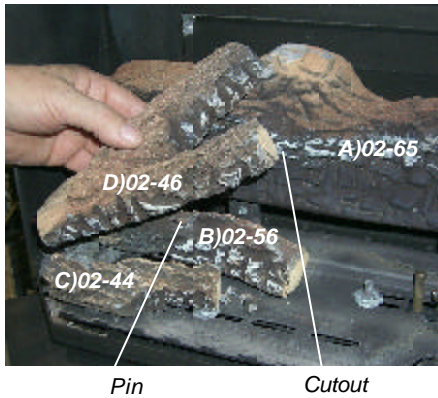
lava rock

- Place Front Left Log C)02-44 onto the 2 front pins as shown.



INSTALLATION

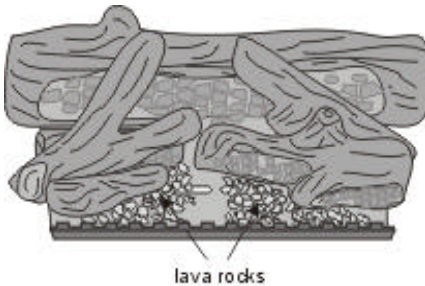
- 7) Place the Left Top Log D)02-46 on the pin on Log B)02-56 and on top of the cutout on Log A)02-65.



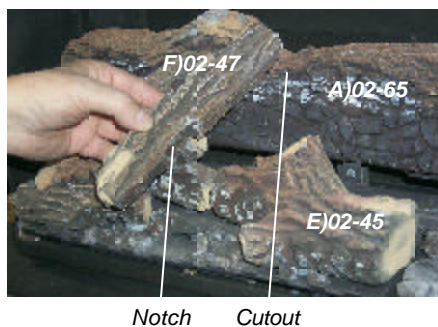
- 8) Place Front Right Log E)02-45 on the two pins as shown.



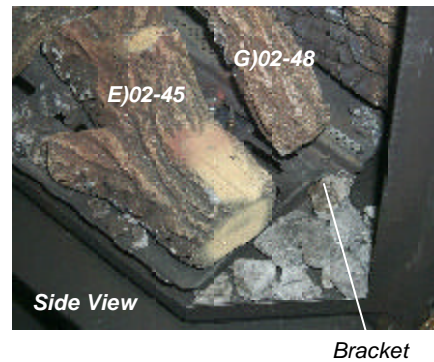
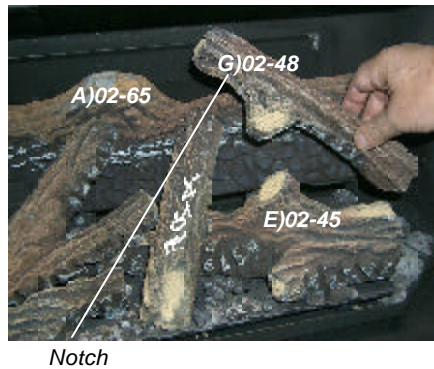
- 9) Place the lava rock in the area between the left and right logs, leaving a space in the middle for log (F) 02-47.



- 10) Place the notch in Center Log F)02-47 over Log E)02-45 and across the cutout on Log A)02-65.



- 11) Position notch in Front Right Log G)02-48 on Log F)02-47 and push the bottom right edge against the bracket on the burner tray.



The bottom right edge of Log G)02-48 must sit snugly against the bracket

- 12) Test fire to ensure proper light off (make sure flame flows smoothly from one end of burner to the other. If there is any flame hesitation, check that area for any blockage of the burner port.



FRONT DOOR INSTALLATION

(packaged separately)

- 1) Open the two side panels.
- 2) Slide the door onto the two hinge pins making sure the two pieces are flush together. See diagram 1.
- 3) Close the door. The latch plate must be centered around the alignment pin. See diagram 2. If the latch plate interferes with the corner of the stove you may want to angle the plate slightly so the door closes easier.
- 4) The latches should already be at the proper setting. If they are too hard or too easy to close, you may want to adjust them by loosening the latch catch. See diagram 3.

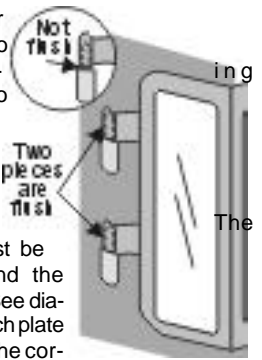


Diagram 1

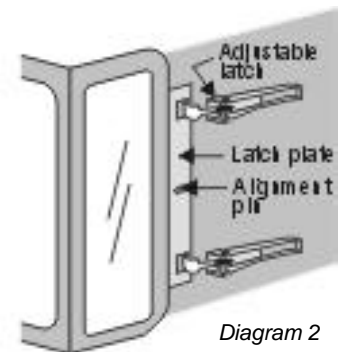


Diagram 2

- 5) Remove the blue plastic protective coating from the glass.
- 6) Test the seal around the door by placing a piece of paper between the unit and the door, close the door and try to pull the paper out. If it slips out easily, then the door is not properly sealed. Tighten or loosen the latch. See diagram 3.

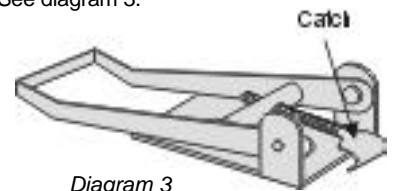


Diagram 3

Note: The door latch may require adjustment as the door gasket material compresses after a few fires and after glass replacement. Turn the latch catch inward or outward to loosen or tighten.

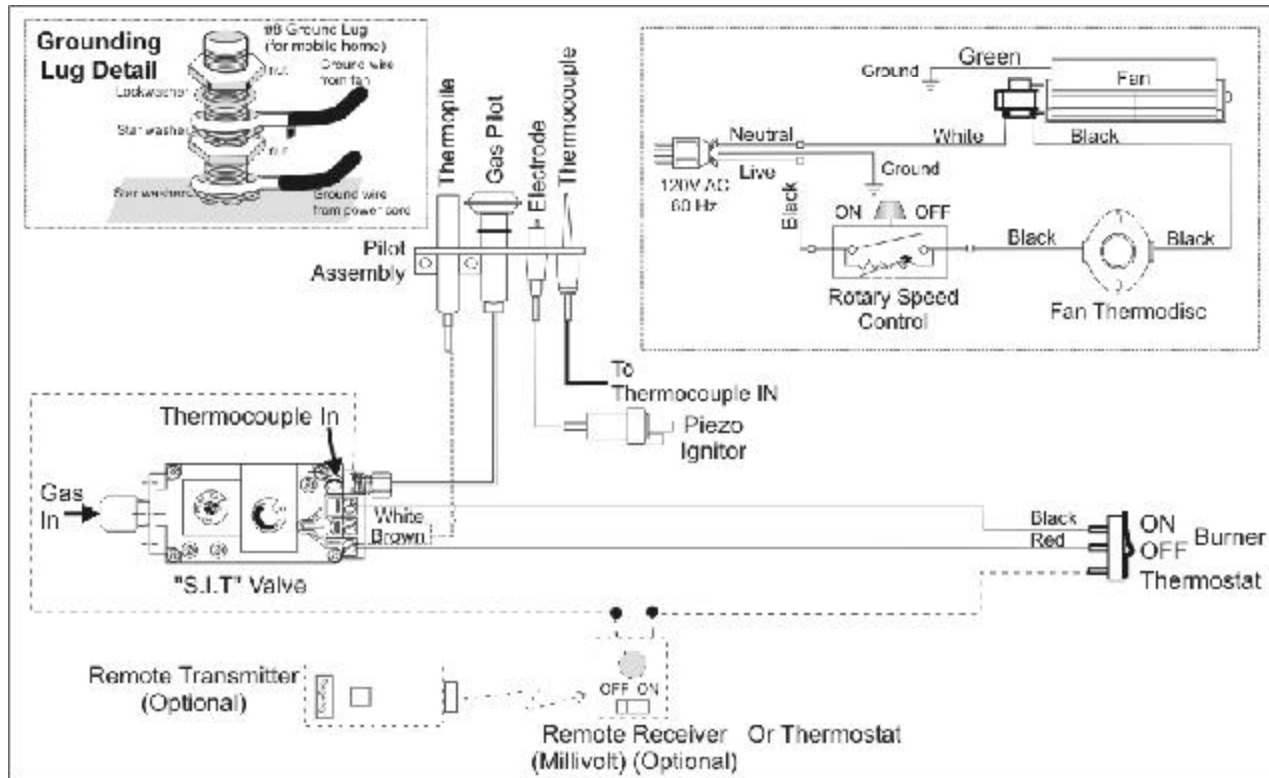
INSTALLATION

WIRING

This heater does not require a 120V A.C. supply for operation. In case of a power failure, the burner switch and the optional remote control/thermostat will continue to operate. However, a 120V A.C. power supply is needed for the fan/blower operation.

Caution: Ensure that the wires do not touch any hot surfaces and are away from sharp edges.

CAUTION: Label all wires prior to disconnection when servicing controls. Wiring errors can cause improper and dangerous operation.



WARNING: Electrical Grounding Instructions
 This appliance is equipped with a three pronged (grounding) plug for your protection against shock hazard and should be plugged directly into a properly grounded three-prong receptacle. Do not cut or remove the grounding prong from this plug.

OPTIONAL WALL THERMOSTAT

A wall thermostat may be installed if desired. Connect the wires as per the wiring diagrams. Note that the wires are connected to the "TH" on the gas valve. Use table below to determine the maximum wire length:

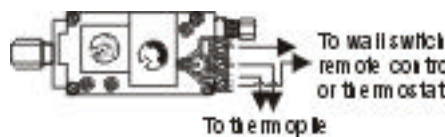
Note: Preferable if the thermostat is installed on an interior wall.

Regency offers an optional programmable thermostat but any 250-750 millivolt rated non-anticipator type thermostat that is CSA, ULC or UL approved may be used.

CAUTION
 Do not connect the millivolt wall thermostat wires to the 120V wires.

Thermostat Wire Table

| Recommended Maximum Lead Length (Two-Wire) When Using Wall Thermostat (CP-2 System) | |
|---|-------------|
| Wire Size | Max. Length |
| 14 GA. | 50 Ft. |
| 16 GA. | 32 Ft. |
| 18 GA. | 20 Ft. |
| 20 GA. | 12 Ft. |
| 22 GA. | 9 Ft. |



OPTIONAL REMOTE CONTROL

Use the Regency Remote Control Kit approved for this unit. Use of other systems may void your warranty.

The remote control kit comes with a hand held transmitter, a receiver and a wall mounting plate.

- 1) Choose a convenient location on the wall to install the receiver and the receptacle box (protection from extreme heat is very important). Run wires from the fireplace to that location, use Thermostat Wire Table.
- 2) Connect the wires as per the wiring diagram above.

OPERATING INSTRUCTIONS

CAUTION
Do not connect the millivolt remote control wires to the 120V wires.

- 3) Install 3 AAA alkaline batteries in transmitter and 4 AA alkaline batteries in the receiver. Install the receiver and its cover in the wall. Switch the remote receiver to "remote" mode. The remote control is now ready for operation.

FINAL CHECK

Before leaving this unit with the customer, the installer must ensure that the appliance is firing correctly. This includes:

- 1) Clocking the appliance to ensure the correct firing rate (rate noted on label) at 15 minutes.
- 2) If required, adjusting the primary air to ensure that the flame does not carbon. First allow the unit to burn for 15 min. to stabilize.
- 3) Check for proper draft.

CAUTION
Any alteration to the product that causes sooting or carboning that results in damage to the exterior facia is not the responsibility of the manufacturer.

OPERATING INSTRUCTIONS

Before operating this appliance, proceed through the following check list.

- 1) Read and understand these Instructions before operating this appliance.
- 2) Check to see that all wiring is correct and enclosed to prevent possible shock.
- 3) Check to ensure there are no gas leaks.
- 4) Make sure the three pieces of door glass are properly positioned. Never operate the appliance with any of the glass removed or with the door open.
- 5) Verify that all venting and the cap is unobstructed.
- 6) Verify log placement. If the pilot cannot be seen when lighting the unit - the logs or the embers have been incorrectly positioned.
- 7) The unit should never to turned off and on without a minimum of a 60 second wait.

LIGHTING INSTRUCTIONS

IMPORTANT
To ignite or reignite the pilot, the door to the firebox must be opened.

Only when the pilot holds, without pressure being applied to the control knob, should the door to the firebox be closed. The unit **must never** be operated with the glass or door open.

IMPORTANT: The PILOT knob cannot be turned from *pilot* to *off* unless it is partially depressed.

Note: Open the pedestal door of the unit before lighting the pilot. Once the pilot is lit, close the door. You should never operate the unit with the door open.

- 1) If the PILOT knob is in the **off** position proceed to Step 4.



- 2) Push in PILOT knob slightly and turn clockwise to **off**. Knob cannot be turned from **pilot** to **off** unless knob is pushed in slightly. Do not force.
- 3) Wait five minutes to allow gas, that may have accumulated in the main burner compartment, to escape. If you smell gas, follow the instructions on the front of this manual. If you don't smell gas continue on to the next step.
- 4) Turn the PILOT knob counterclockwise to **pilot** and align it with the arrow as shown in diagram above.
- 5) Push in PILOT knob all the way in and hold. Immediately push IGNITOR button until pilot lights. Continue to hold the PILOT knob in for approximately one minute, then release the PILOT knob. The pilot flame should continue to burn. If the pilot does not remain lit, repeat operation allowing a longer period before releasing PILOT knob.
- 6) Turn PILOT knob counter clockwise to **on**.
- 7) Use the Burner ON/OFF switch to turn on the burner.

- 8) Rotate the HEAT control to adjust the flame height **higher** or **lower**.

SHUTDOWN INSTRUCTIONS

- 1) Use the Burner ON/OFF switch, thermostat or remote control to turn off the burner.
- 2) Push in the PILOT knob slightly and turn clockwise to off. Do not force.
- 3) Turn off all electric power to the appliance if service is to be performed.

FIRST FIRE

The **FIRST FIRE** in your stove is part of the paint curing process. To ensure that the paint is properly cured, it is recommended that you burn your fireplace for at least four (4) hours the first time you use it with the fan on. When first operated, the unit will release an odour caused by the curing of the paint and the burning off of any oils remaining from manufacturing. Smoke detectors in the house may go off at this time. Open a few windows to ventilate the room for a couple of hours. The glass may require cleaning.

DO NOT ATTEMPT TO CLEAN THE GLASS WHILE IT IS STILL HOT!

Note: When the glass is cold and the appliance is lit, it may cause condensation and fog the glass. This condensation is normal and will disappear in a few minutes as the glass heats up.

DO NOT BURN THE APPLIANCE WITHOUT THE GLASS FRONT IN PLACE.

During the first few fires, a white film may develop on the glass front as part of the curing process. The glass should be cleaned or the film will bake on and become very difficult to remove. Use a non-abrasive cleaner and **NEVER clean the glass while it is hot.**

OPERATING INSTRUCTIONS

Copy of the Lighting Plate instructions

FOR YOUR SAFETY READ BEFORE LIGHTING

This appliance must be installed in accordance with local codes, if any; if none, follow the National Fuel Gas Code, ANSI Z223.1/NFPA 54, or Natural Gas and Propane Installation Codes, (USA D149.1, (Australia: AG3601, New Zealand: NZS 5251)

WARNING: If you do not follow these instructions exactly, a fire or explosion may result causing property damage, personal injury or loss of life. Improper installation, adjustment, alteration, service or maintenance can cause injury or property damage. Refer to the owner's information manual provided with this appliance. For assistance or additional information consult a qualified installer, service agency or gas supplier.

A) This appliance has a pilot which must be lighted by hand, following the instructions below exactly.

B) BEFORE LIGHTING smell all around the appliance area for gas. Be sure to smell next to the floor because some gas is heavier than air and will settle on the floor.

WHAT TO DO IF YOU SMELL GAS

- Do not try to light any appliance
- Do not touch any electric switch, do not use any phone in your building
- Immediately call your gas supplier from a neighbors phone. Follow the gas supplier's instructions.
- If you cannot reach your gas supplier, call the fire department.

C) Use only your hand to push in or turn the gas control knob. Never use tools. If the knob will not push in or turn by hand, don't try to repair it, call a qualified service technician. Force or attempted repair may result in a fire or explosion.

D) Do not use this appliance if any part has been under water. Immediately call a qualified service technician to inspect the appliance and to replace any part of the control system and any gas control which has been under water.

This appliance needs fresh air for safe operation and must be installed so there are provisions for adequate combustion and ventilation air.

CAUTION: Hot while in operation. Do not touch. Severe Burns may result. Due to high surface temperatures keep children, clothing and furniture, gasoline and other liquids having flammable vapors away. Keep burner and control compartment clean. See installation and operating instructions accompanying appliance.

LIGHTING INSTRUCTIONS

STOP! Read the safety information above on this label.

- 1) Push in gas control knob slightly and turn clockwise to "OFF". Knob cannot be turned from "PILOT" to "OFF" unless knob is pushed in slightly. Do not force.
- 2) Wait five (5) minutes to clear out any gas. If you then smell gas STOP! follow "B" in the safety information above on this label. If you don't smell gas, go to the next step.
- 3) Turn knob on gas control counterclockwise to "PILOT".
- 4) Push in control knob all the way and hold in. Immediately push black button on spark igniter until pilot lights. Continue to hold the control knob in for about 1/2 minute after the pilot is lit. Release knob and it will pop back up. Pilot should remain lit. If it goes out, repeat steps 3) and 4). If knob does not pop up when released, stop and immediately call your service technician or gas supplier. If the pilot will not stay lit after several tries, turn the gas control knob to "OFF" and call your service technician or gas supplier.
- 5) Turn gas control knob counterclockwise to "ON".
- 6) Use rocker switch to operate main burner.

PILOT BURNER
VEILLEUSE

THERMOPILL
ELEMENT
THERMO-
ELECTRIQUE

TO TURN OFF GAS APPLIANCE**DO NOT REMOVE THIS INSTRUCTION PLATE** 900-649B

NORMAL OPERATING SOUNDS OF GAS APPLIANCES

It is possible that you will hear some sounds from your gas appliance. This is perfectly normal due to the fact that there are various gauges and types of steel used within your appliance. Listed below are some examples. All are **normal operating sounds** and should not be considered as defects in your appliance.

Blower:

Regency gas appliances use high tech blowers to push heated air farther into the room. It is not unusual for the fan to make a "whirring" sound when ON. This sound will increase or decrease in volume depending on the speed setting of your fan speed control.

Burner Tray:

The burner tray is positioned directly under the burner tube(s) and logs and is made of a different gauge material from the rest of the firebox and body. Therefore, the varying thicknesses of steel will expand and contract at slightly different rates which can cause "ticking" and "cracking" sounds. You should also be aware that as there are temperature changes within the unit these sounds will likely re-occur. Again, this is normal for steel fireboxes.

Blower Thermodisc:

When this thermally activated switch turns ON it will create a small "clicking" sound. This is the switch contacts closing and is normal.

Pilot Flame:

While the pilot flame is on it can make a very slight "whisper" sound.

Gas Control Valve:

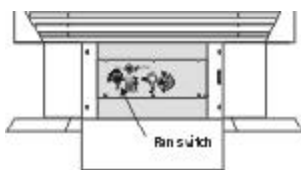
As the gas control valve turns ON and OFF, a dull clicking sound may be audible, this is normal operation of a gas regulator or valve.

Unit Body/Firebox:

Different types and thicknesses of steel will expand and contract at different rates resulting in some "cracking" and "ticking" sounds will be heard throughout the cycling process.

AUTOMATIC CONVECTION FAN OPERATION

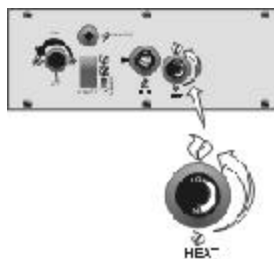
The fan operates automatically - turn the knob on the pedestal control panel to adjust to the desired speed. The fan will turn on as the stove comes up to operating temperature. After the unit has been turned off and cools to below a useful heat output range the fan will shut off automatically.



ADJUSTING FLAME HEIGHT

Your heater has an adjustable flame to tailor the look and heat output to your specific needs. It is adjusted by turning the flame adjustment dial on the gas control valve.

Turn clockwise to adjust the flame higher, counterclockwise for a lower flame.



MAINTENANCE INSTRUCTIONS

- 1) Always turn off the valve before cleaning. For relighting, refer to lighting instructions. Keep the burner and control compartment clean by brushing and vacuuming at least once a year. When cleaning the logs, use a soft clean paint brush as the logs are fragile and easily damaged.
- 2) Clean glass (never when unit is hot), appliance, louvers, and door with a damp cloth. Never use an abrasive cleaner. The gold louvers (and optional gold door) may be scratched if abrasives are used to clean them.
The heater is finished in a heat resistant paint and should only be refinished with heat resistant paint (not with wall paint). Regency uses StoveBright Paint - Metallic Black #6309.
- 3) Make a periodic check of burner for proper position and condition. Visually check the flame of the burner periodically, making sure the flames are steady; not lifting or floating. If there is a problem, call a qualified service person.
- 4) Caution: Label all wires prior to disconnection when servicing controls. Wiring errors can cause improper and dangerous operation.
- 5) The appliance and venting system must be inspected before use, and at least annually, by a qualified field service person, to ensure that the flow of combustion and ventilation air is not obstructed.
During the annual service call, the burners should be removed from the burner tray and cleaned. Replace the embers but do not block the pilot.
- 6) Keep the area near the appliance clear and free from combustible materials, gasoline, and other flammable vapours and liquids.

WARNING: CHILDREN AND ADULTS SHOULD BE ALERTED TO THE HAZARDS OF HIGH SURFACE TEMPERATURE AND SHOULD STAY AWAY TO AVOID BURNS OR CLOTHING IGNITION. YOUNG CHILDREN SHOULD BE CAREFULLY SUPERVISED WHEN THEY ARE IN THE SAME ROOM AS THE APPLIANCE.

DO NOT USE THIS APPLIANCE IF ANY PART HAS BEEN UNDER WATER. IMMEDIATELY CALL A QUALIFIED SERVICE TECHNICIAN TO INSPECT THE APPLIANCE AND TO REPLACE ANY PART OF CONTROL SYSTEM AND ANY GAS CONTROL WHICH HAS BEEN UNDER WATER.

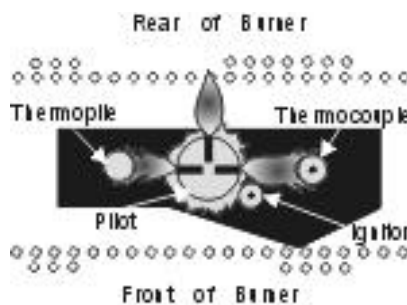
CAUTION: ANY SAFETY SCREEN OR GUARD REMOVED FOR SERVICING AN APPLIANCE MUST BE REPLACED PRIOR TO OPERATING THE APPLIANCE.

CLOTHING OR OTHER FLAMMABLE MATERIAL SHOULD NOT BE PLACED ON OR NEAR THE APPLIANCE.

- 7) Each time the appliance is lit, it may cause condensation and fog the glass. This condensation and fog is normal and will disappear in a few minutes as the glass heats up.

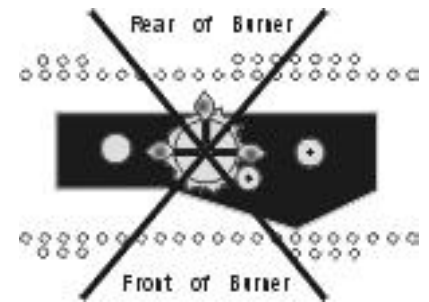
Never operate the appliance without the glass properly secured in place or with the door open.
- 8) Periodically check the pilot flames. Correct flame pattern has three strong blue flames: 1 flowing around the thermopile and 1 around the thermocouple, and 1 flowing across the rear of the burner (it does not have to be touching the burner).

Note: If you have an incorrect flame pattern, contact your Regency dealer for further instructions.



Top View of pilot flame

Incorrect flame pattern will have small, probably yellow flames, not coming into proper contact with the rear of the burner or thermopile.



Top View of pilot flame

GENERAL VENT MAINTENANCE

Conduct an inspection of the venting system semi-annually. Recommended areas to inspect as follows:

- 1) Check the Venting System for corrosion in areas that are exposed to the elements. These will appear as rust spots or streaks, and in extreme cases, holes. These components should be replaced immediately.
- 2) Remove the Cap, and shine a flashlight down the Vent. Remove any bird nests, or other foreign material.
- 3) Check for evidences of excessive condensation, such as water droplets forming in the inner liner, and subsequently dripping out the joints. Continuous condensation can cause corrosion of caps, pipe, and fittings. It may be caused by having excessive lateral runs, too many elbows, and exterior portions of the system being exposed to cold weather.
- 4) Inspect joints, to verify that no pipe sections or fittings have been disturbed, and consequently loosened. Also check mechanical supports such as Wall Straps, or plumbers' tape for rigidity.

GOLD-PLATED DOORS

The 24 carat gold plated finish on the door requires little maintenance, and need only be cleaned with a damp cloth. DO NOT use abrasive materials or chemical cleaners, as they may harm the finish and void the warranty. Clean any fingerprints off before turning the unit on. **If the door starts to discolour, check the gasket seal and replace if necessary.**

MAINTENANCE

LOG REPLACEMENT

The unit should never be used with broken logs. Turn off the gas valve and allow the unit to cool before opening door to carefully remove the logs. The pilot light generates enough heat to burn someone. If for any reason a log should need replacement, you must use the proper replacement log. The position of these logs must be as shown in the diagram under Log Installation.

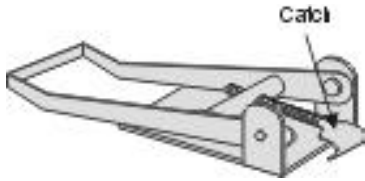
Note: Improper positioning of logs may create carbon build-up and will alter the unit's performance which is not covered under warranty.

DOOR GASKET

If the door gasket requires replacement use 7/8" diameter oval door gasket (Part # 650-920).

LATCH ADJUSTMENT

The door latch may require adjustment as the door gasket material compresses after a few fires and after glass replacement. Turn the adjustable catch to tighten or loosen the latch.



GLASS REPLACEMENT

Your ULTIMATE stove is supplied with high temperature, 5 mm Neoceram ceramic glass that will withstand the highest heat that your unit will produce. In the event that you break your glass by impact, purchase your replacement door from an authorized Regency dealer only, and follow our step-by-step instructions for replacement. The glass is not sold separately, as it must be properly sealed in the door frame.

Replacement Part

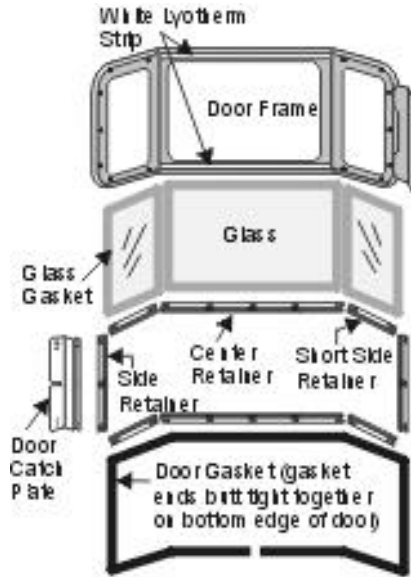
- 940-325/P U39 Wraparound Glass
- 940-322/P U39 Panel Center Glass
- 940-323/P U39 Panel Side Glass

WARNING: Do not operate appliance with glass panels removed, cracked or broken. Replacement of the glass should be done by a licensed or qualified service person.

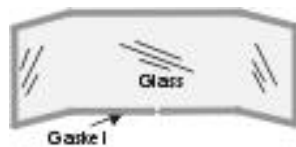
Note: Wearing gloves will protect your hands while handling glass.

Panel Glass Replacement

- 1) Remove the door from the unit and place on a soft surface to prevent scratching.
- 2) Pull out the door gasket.
- 3) Remove the nuts holding the glass retainers in place.
- 4) Remove the glass retainers (sides, top and bottom) and the door catch plate.
- 5) Replace the glass. **The glass must have gasketing around it.**
- 6) Reverse the previous steps, replace the retainers and fasten with the nuts but do not overtighten, as this can break the glass. **Note:** the door catch plate fits on top of the left side retainer.
- 7) Put gasket glue on the retainers, but do not put glue on the screws. Replace the door gasket, the two ends butt tight together on the bottom edge of the door.
- 8) Replace door on the stove and check the seal.



Panel Glass Door Assembly



Wraparound Assembly Door (same glass retainers as the Panel Assembly)

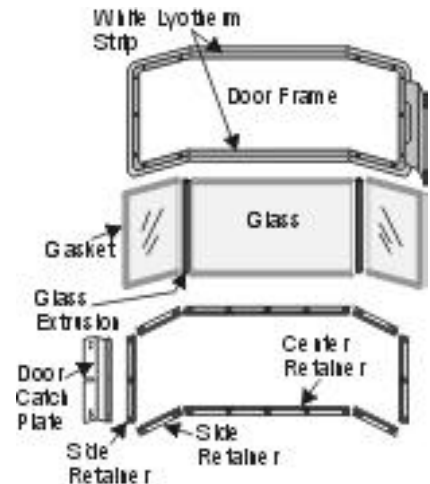
Mitred Glass Replacement

Removing Glass

- 1) Remove the door from the unit and place on a soft surface to prevent scratching.
- 2) Pull out the door gasket.
- 3) Remove the 24 nuts holding the glass retainers in place. *Do not remove the nuts underneath the retainers.*
- 4) Remove the door catch plate.
- 5) Remove glass retainers on sides first (3 each side) then remove two center retainers.

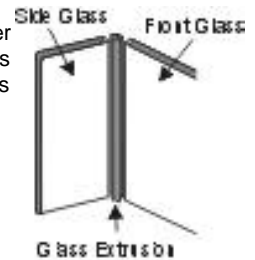
Note: Center glass retainers are glued to center glass.

- 6) Remove glass from extrusions. When removing center glass, leave white insulation in place.



Installing Glass

- 1) Install both center and side glass onto extrusions as per diagram.
- 2) Place glass assembly into door frame.
- 3) Install retainers by placing 1 drop of glue where previously glued and put in place.
- 4) Install side retainers.
- 5) Install door catch plate.
- 6) Install the 24 nuts loosely, do not tighten yet.



- 7) Tighten side panels nuts using the following procedure:
 - a. tighten top & bottom outside corner nuts (2)
 - b. tighten inside nuts (3)
 - c. tighten top & bottom inside corners (2)
- 8) Tighten the 10 nuts on center glass retainer.
- 9) Repeat step 7 for other side panel.
- 10) Replace new gasket by gluing it in place.
- 11) Install door onto stove and check the seal.

FAN MAINTENANCE

If your fan requires maintenance or replacement, access to the fan is through the plate on the rear wall of the firebox. **NOTE: the unit MUST NOT be operated without the fan access panel securely in place and correctly sealed.**

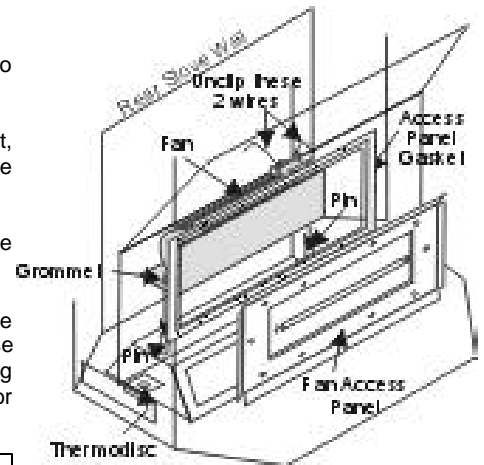
IMPORTANT: These fans collect a lot of dust from within your home. Ensure you maintain these fan motors on a regular basis by vacuuming out the fan squirrel cages, around the motor, and around the grills on the back of the stove.

IMPORTANT
Disconnect power supply before servicing

WARNING:
Electrical Grounding Instructions
This appliance is equipped with a three pronged (grounding) plug for your protection against shock hazard and should be plugged directly into a properly grounded three-prong receptacle. Do not cut or remove the grounding prong from this plug.

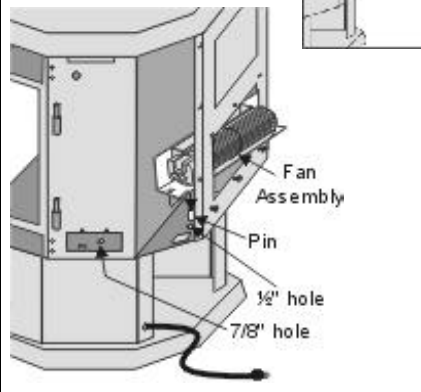
To remove U39 fan:

- 1) Unplug or disconnect power source to stove.
- 2) Remove all logs and the rear log support, then remove the 10 screws holding the access panel in place.
- 3) Unclip the black and white wires from the fan motor.
- 4) Open both side doors and gently pull the flex pipe away from the center, otherwise the fan can catch on the flex pipe during installation and tear the pipe. Do not tear or damage the flex pipe.



Alternate Fan Access:

If the rear access cover is accessible, it can be removed to provide access to the fan.

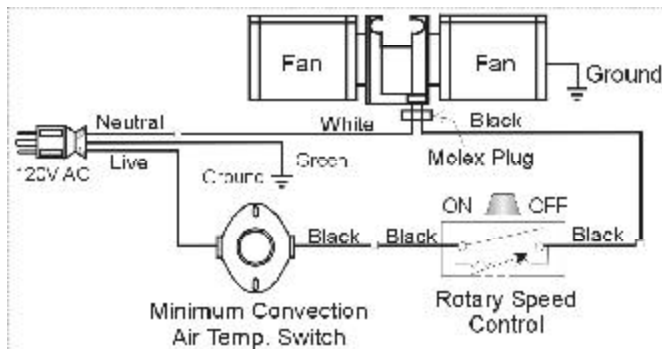


- 5) Lift fan off of the 2 pins, tip back and pull through firebox opening. Disconnect the green ground wire from the right side of the fan as soon as you can reach it.

Replacing U39 Fan:

Reverse the above steps (1 - 5). If necessary install a new gasket before replacing the fan access panel. Make sure the fan wires and the ground wire are reattached.

Hint for pushing fan down onto pins - rub a bit of dish soap on the grommet so it will slide more easily onto the pin. Check to make sure the fan is seated properly on the pins - try to move the fan back and forth, there should be no noise, if there is check that the grommets haven't come loose.



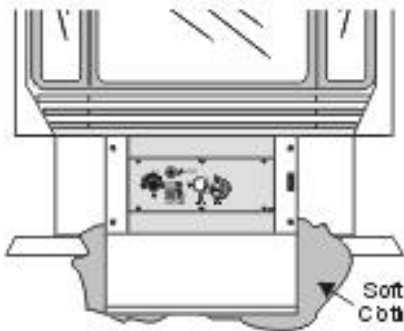
MAINTENANCE

REMOVING VALVE

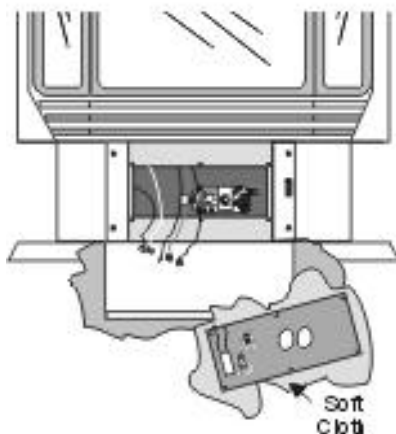
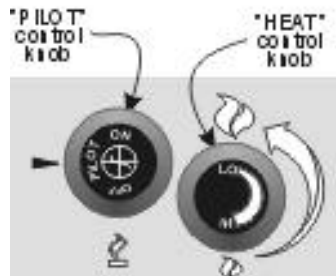
If your valve requires maintenance or replacement, use the following instructions:

Note: Always close off the gas supply before removing the valve.

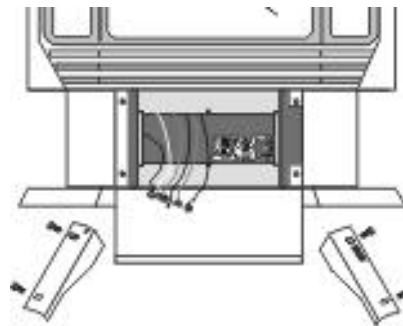
- 1) Open front pedestal door. You may want to put a soft cloth on the base of the unit so that when the pedestal door is open it doesn't scratch the paint.



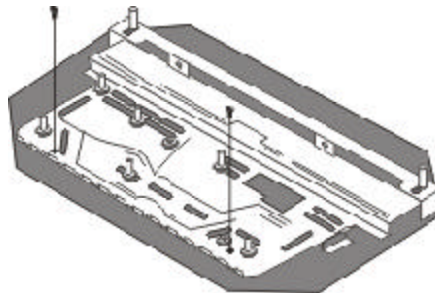
- 2) Undo the six screws holding the control panel in place.
- 3) Disconnect all wires from the back of the panel and then remove panel. You should lay the panel on a soft cloth so it doesn't get marked up. See diagram below.



- 4) Remove the two outside frame pieces by removing two screws per side. See diagram below.

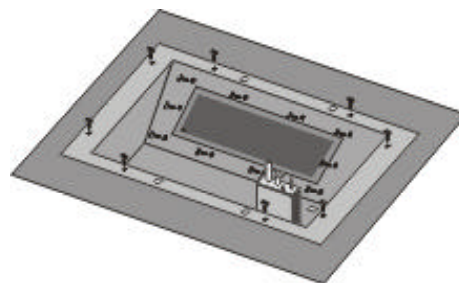


- 5) At this point you should disconnect the gas at the valve. You can access it through the front now that the control panel is off, or you can access it through the rear pedestal cover plate.
- 6) Carefully remove the logs and lava rock.
- 7) Remove burner.



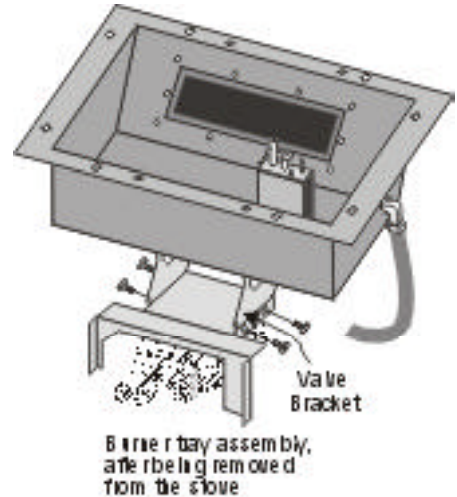
Note: Use a magnetic type screwdriver if possible.

- 8) Remove all 18 screws holding the burner tray assembly in place.



- 9) Carefully lift the burner tray assembly out.

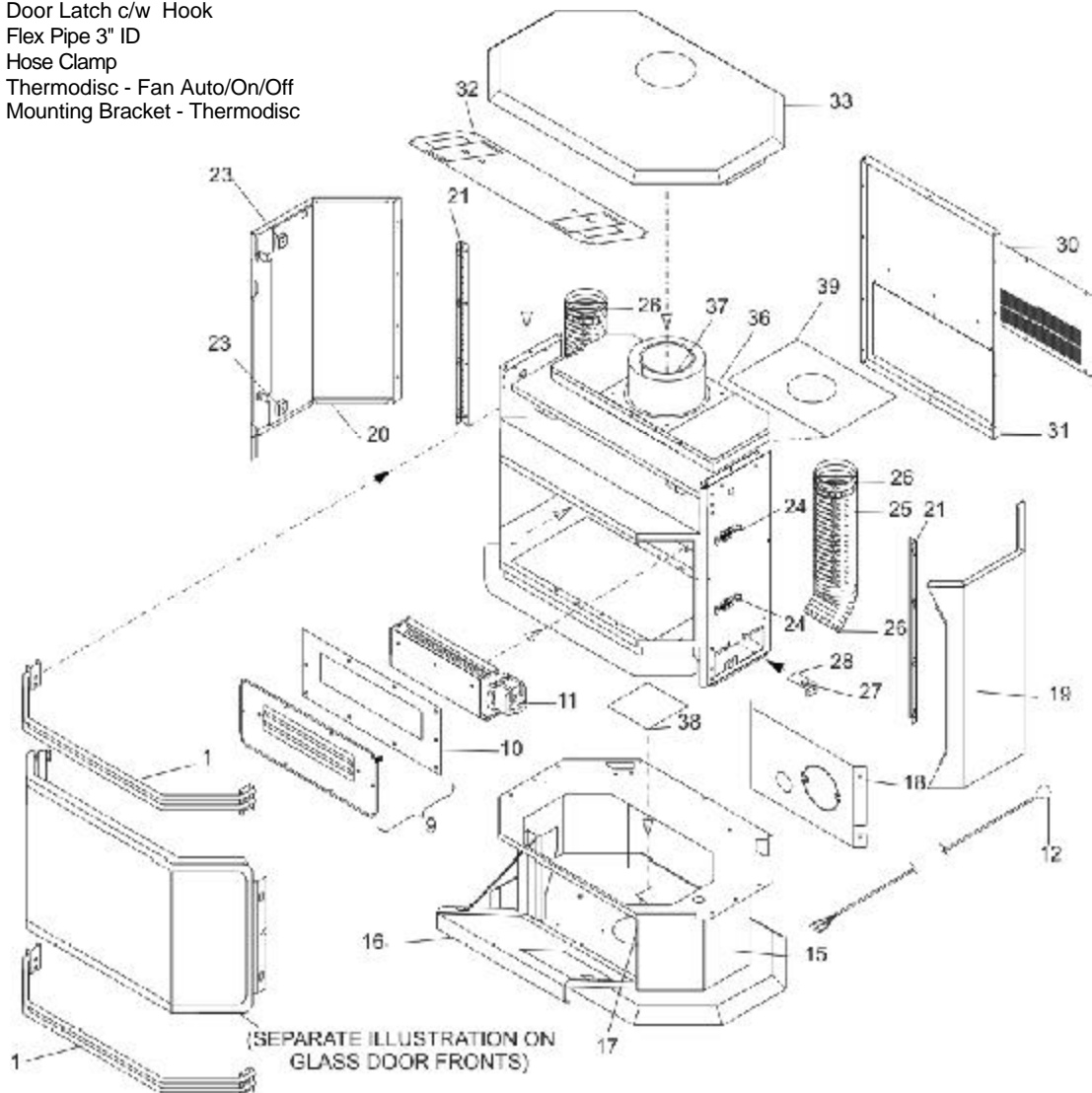
- 10) To replace the burner tray assembly, simply reverse these instructions.



U39 MAIN ASSEMBLY

| Part # | Description | Part # | Description |
|--------|---|--------|---|
| 1) | 560-920 Louver Assy - Gold | 30) | 630-021 Fan Access Panel |
| | 560-921 Louver Assy - Brush Nickel | 31) | 730-019 Rear Panel |
| | 560-922 Louver Assy - Black | 32) | 730-565 Firebox Baffle/Restrictor Assy |
| 9) | 730-560 Relief Door Assembly | 33) | 630-520 False Top Assembly |
| 10) | 730-034 Mounting Plate Gasket | 36) | 936-194 Gasket-Starter Collar/Air Passage |
| 11) | 730-517/P Fan Assembly | 37) | * Gasket-Flue Collar/Starter Collar |
| | 910-331/P Fan Motor (120 Volt) | 38) | 820-058 Pedestal Base Cover |
| 12) | 910-794 Power Cord (120 Volt) | 39) | * Gasket - Air Passage |
| | 910-330 Fan Speed Control | | 948-216 Logo Plate |
| 15) | * Pedestal Assembly | | 918-027 Manual |
| 16) | 730-039 Pedestal Door | | |
| 17) | 904-257 Pedestal Door Magnet | | |
| 18) | 560-025 Pedestal Back | | |
| 19) | 730-530 Short Side Panel Door Assy (Right Side) | | |
| 20) | 730-525 Short Side Panel Door Assy (Left Side) | | |
| 21) | 560-031 Hinge for Side Panel | | |
| 23) | 904-258 Side Panel Door Magnet | | |
| 24) | 948-255 Door Latch c/w Hook | | |
| 25) | * Flex Pipe 3" ID | | |
| 26) | * Hose Clamp | | |
| 27) | 910-233 Thermodisc - Fan Auto/On/Off | | |
| 28) | * Mounting Bracket - Thermodisc | | |

*Not available as a replacement part.

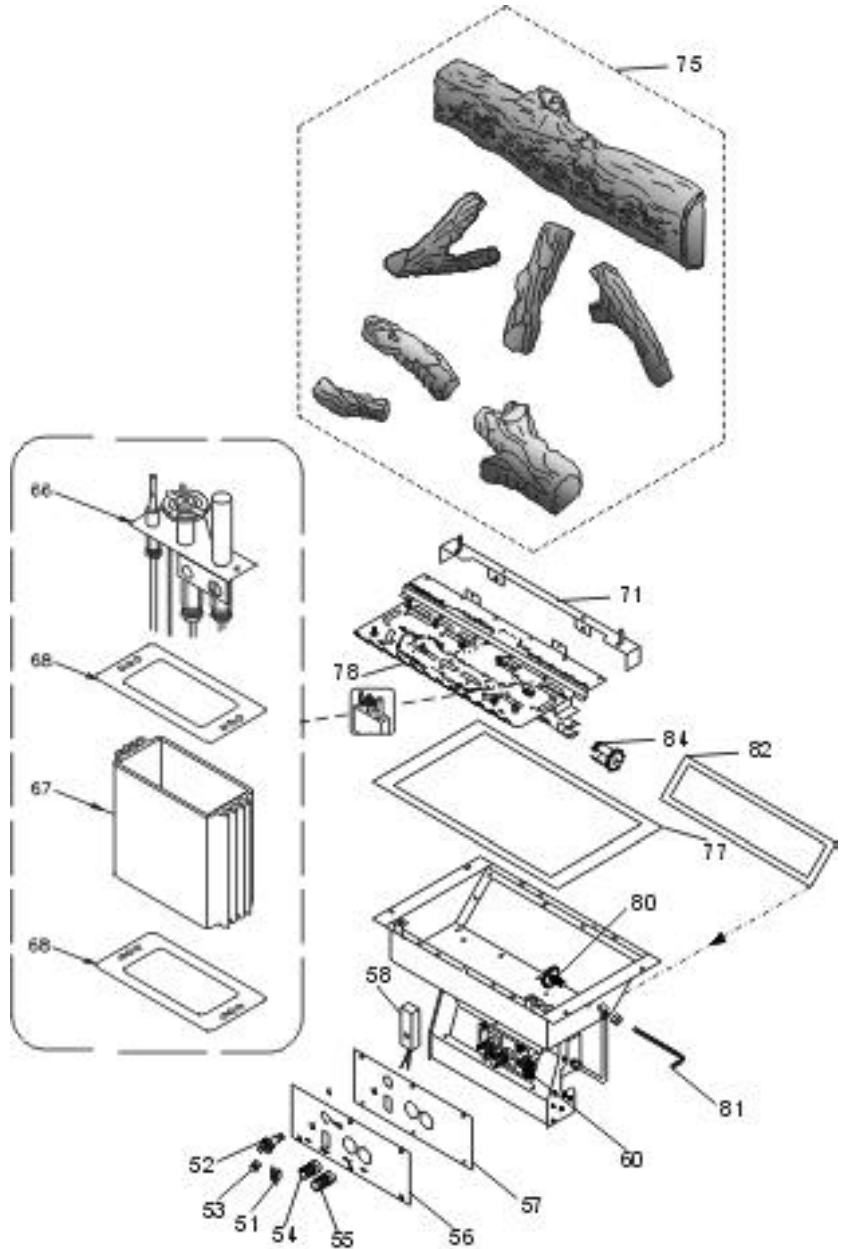


PARTS LIST

U39 BURNER & LOG ASSEMBLY

| Part # | Description |
|--------|---|
| 51) | 910-241 Burner ON/OFF Switch (3-way) |
| 52) | 910-190 Piezo Ignitor & Nut |
| 53) | 904-586 Knob for Fan Speed Control |
| 54) | 910-373 Knob - Pilot Valve Extension |
| 55) | 910-372 Flame Adjusting Knob |
| 56) | 908-646 Control Panel Decal |
| 57) | 650-220 Control Panel Plate |
| 58) | 910-330 Fan Speed Control (120 V) |
| | 730-574/P Valve Assembly - Natural Gas |
| | 730-576/P Valve Assembly - Propane |
| 60) | 910-378 Valve S.I.T. - NG |
| | 910-380 Valve S.I.T. - LP |
| 66) | 910-038 Pilot Assy - S.I.T. - 3 Flame NG |
| | 910-039 Pilot Assy - S.I.T. - 3 Flame LP |
| | 904-240 #37 Orifice - N.G. at 30,000 Btu/h |
| | 904-688 #32 Orifice - N.G. at 38,000 Btu/h |
| | 904-390 #52 Orifice - Propane at 30,000 Btu/h |
| | 904-641 #50 Orifice - Propane at 38,000 Btu/h |
| | 936-170 Orifice Gasket |
| 67) | * Pilot Holder |
| 68) | W840470 Pilot Assembly Gasket |
| 71) | 730-528 Rear Log Bracket |
| 75) | 730-935 Log Set |
| 77) | 630-008 Gasket - Burner Tray/Firebox |
| 78) | 730-550 Burner Assembly (NG/LP) |
| 80) | 260-565 Air Shutter Gear Assembly - Female |
| 81) | 904-565 Hex Key 3/16" AF |
| 82) | 630-009 Gasket-Burner Tray/Air Passage |
| 84) | * Air Shutter Gear Assembly - Male |

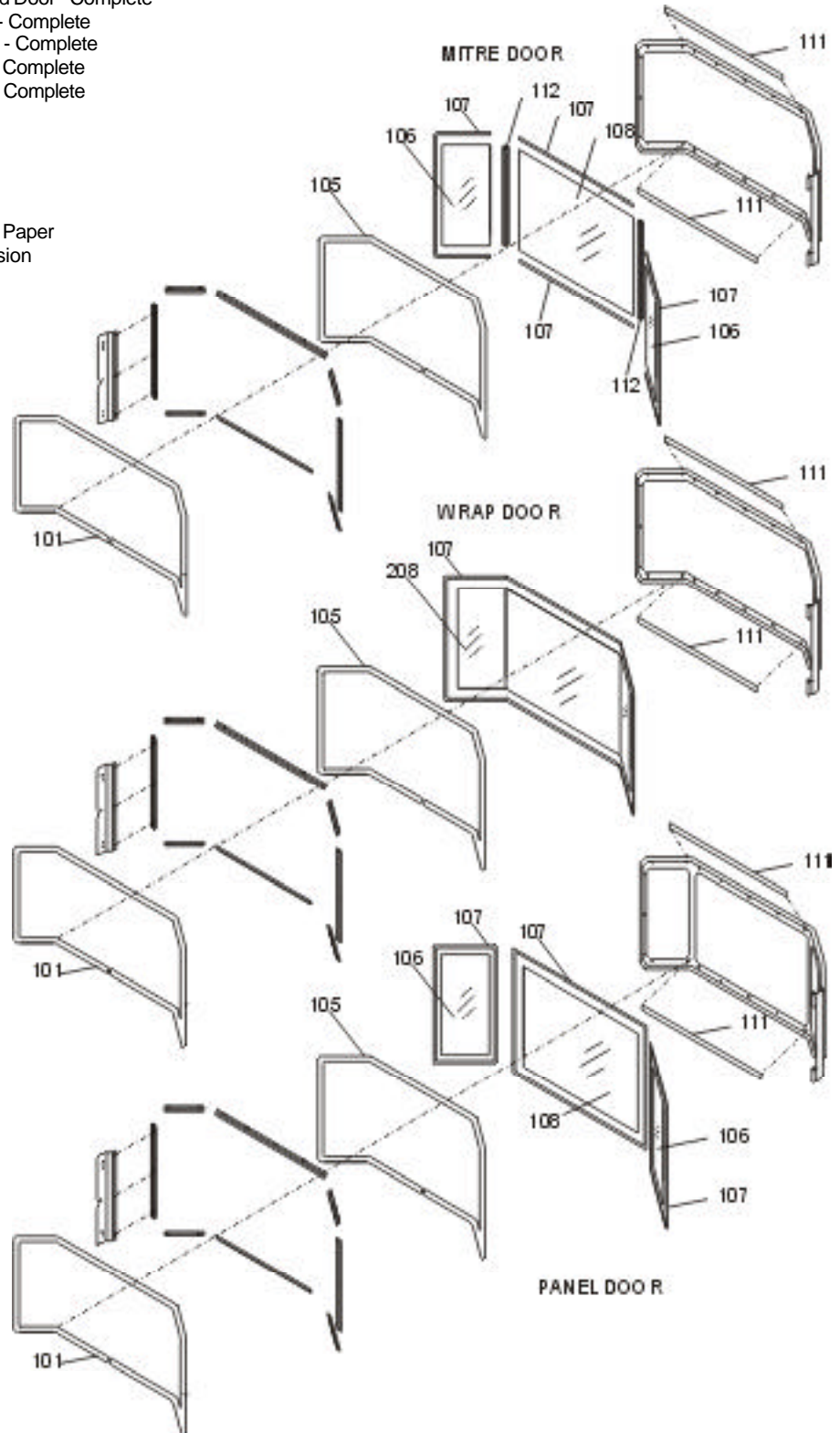
*Not available as a replacement part.



U39 DOOR ASSEMBLIES

| Part # | Description |
|----------------|-------------------------------------|
| 730-923 | Brush Nickel Mitred Door - Complete |
| 730-924 | Gold Mitred Door - Complete |
| 730-926 | Black Mitred Door - Complete |
| 730-932 | Gold Wrap Door - Complete |
| 730-928 | Gold Panel Door - Complete |
| 101) 650-920 | Door Gasket Kit |
| 105) * | Ceramic Paper |
| 106) 940-323/P | Side Glass |
| 107) 936-243 | Glass Gasket |
| 108) 940-322/P | Centre Glass |
| 111) * | Door Frame Fibre Paper |
| 112) 750-015 | Door Glass Extrusion |
| 208) 940-325/P | Wrap Glass |

*Not available as a replacement part.





Regency Fireplace Products are designed with reliability and simplicity in mind. In addition, our internal Quality Assurance Team carefully inspects each unit thoroughly before it leaves our facility. FPI Fireplace Products International Ltd. is pleased to extend this limited lifetime warranty to the purchaser of a Regency Product. This warranty is not transferable.

The Warranty: Limited Lifetime

The combustion chamber, heat exchanger, burner tubes/pans, logs and gold plating (against defective manufacture only) are covered under the Limited Lifetime Warranty for five (5) years for parts and subsidized labour* and parts only thereafter.

Glass is covered for lifetime against thermal breakage only, parts and subsidized labour* for five (5) years and parts only thereafter from date of purchase.

Special Finishes - One year on brushed nickel, louvers and doors. You can expect some changes in color as the product "ages" with constant heating and cooling. FPI warrants the product for any manufacturing defects on the original product. However, the manufacturers warranty does not cover changing colors and marks, ie. finger prints, etc applied after the purchase of the product. Damage from the use of abrasive cleaners is not covered by warranty.

Electrical and mechanical components such as blowers, switches, wiring, thermodiscs, FPI remote controls, spill switches, thermopiles, thermocouples, pilot assembly components, and gas valves are covered for one year parts and subsidized labour* from the date of purchase. Blowers and valves replaced under warranty are considered repairs and continue as if new with appliance. ie. twelve (12) months from original purchase date of appliance with a minimum of three (3) months coverage from date of replacement.

FPI venting components (Direct Vent units) are covered parts and subsidized labour* for three (3) years from date of purchase.

Simpson Dura-Vent venting components (Direct Vent units) are covered by Simpson Dura-Vent Inc. warranty.

Conditions:

Any part or parts of this unit which in our judgement show evidence of such defects will be repaired or replaced at FPI's option, through an accredited distributor or agent provided that the defective part be returned to the distributor or agent **Transportation Prepaid**, if requested.

It is the general practice of FPI to charge for larger, higher priced replacement parts and issue credit once the replaced component has been returned to FPI and evaluated for manufacturer defect.

The authorized selling dealer is responsible for all in-field service work carried out on your Regency product. FPI will not be liable for results or costs of workmanship from unauthorized service persons or dealers.

At all times FPI reserves the right to inspect product in the field which is claimed to be defective.

All claims must be submitted to FPI by authorized selling dealers. It is essential that all submitted claims provide all of the necessary information including customer name, purchase date, serial #, type of unit, problem, and part or parts requested, without this information the warranty will be invalid.

Exclusions:

This limited Lifetime Warranty does not extend to or include paint, door or glass gasketing or trim.

At no time will FPI be liable for any consequential damages which exceed the purchase price of the unit. FPI has no obligation to enhance or modify any unit once manufactured. ie. as products evolve, field modifications or upgrades will not be performed.

FPI will not be liable for travel costs for service work.

Installation and environmental problems are not the responsibility of the manufacturer and therefore are not covered under the terms of this warranty policy.

Embers, glass and door gaskets, door handles and paint are not covered under the terms of this warranty policy.

Any unit which shows signs of neglect or misuse is not covered under the terms of this warranty policy.

The warranty will not extend to any part which has been tampered with or altered in any way, or in our judgment has been subject to misuse, improper installation, negligence or accident, spillage or downdrafts caused by environmental or geographical conditions, inadequate ventilation, excessive offsets, negative air pressure caused by mechanical systems such as furnaces, fans, clothes dryer, etc.

Freight damage to stoves and replacement parts is not covered by warranty and is subject to a claim against the freight carrier by the dealer.

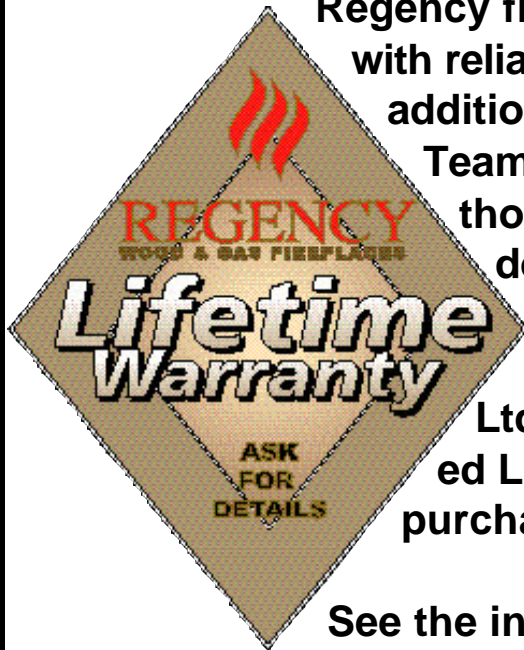
FPI will not be liable for acts of God, or acts of terrorism, which cause malfunction of the appliance.

Performance problems due to operator error will not be covered by this warranty policy.

Products made or provided by other manufacturers and used in conjunction with the operation of this appliance without prior authorization from Regency, may nullify your warranty on this product.

Any alteration to the unit which causes sooting or carboning that results in damage to the interior / exterior facia is not the responsibility of FPI.

* Subsidy according to job scale as predetermined by FPI.



Regency fireplace products are designed with reliability and simplicity in mind. In addition, our internal Quality Assurance Team carefully inspects each unit thoroughly before it leaves our door.

Fireplace Products International Ltd. is pleased to extend this Limited Lifetime Warranty to the original purchaser of a Regency Product.

See the inside back cover for details.

Register your Regency online at
<http://www.regency-fire.com>

Installer: Please complete the following information

Dealer Name & Address: _____

Installer: _____

Phone #: _____

Date Installed: _____

Serial No.: _____