



Regency

FIREPLACE PRODUCTS

INSTALLATION AND OPERATING INSTRUCTIONS

Vented Decorative Gas Appliances

with Electronic Ignition:

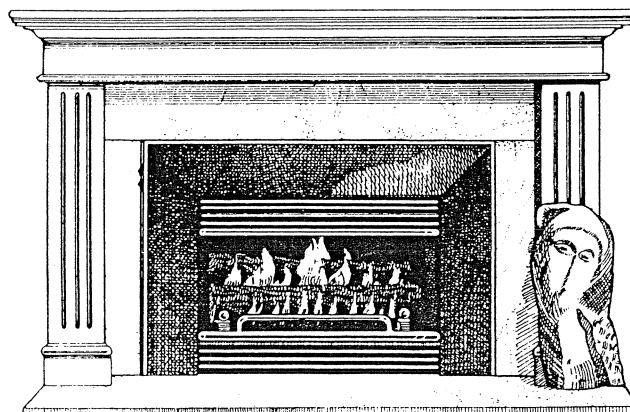
MODEL GR44-3 NATURAL GAS

MODEL GR45-3 PROPANE GAS

with Standing Pilot:

MODEL GR54-3 NATURAL GAS

MODEL GR55-3 PROPANE GAS



PLEASE KEEP THESE OPERATING INSTRUCTIONS FOR FUTURE REFERENCE

This manual contains all of the necessary information to ensure the safe, efficient and dependable installation of your gas fireplace insert. Please read and understand these installation instructions before beginning your installation.

FOR YOUR SAFETY

What to do if you smell gas:

- 1) Do not try to light any appliance.
- 2) Do not touch any electrical switch, do not use any phone in your building.
- 3) Immediately call your gas supplier from a neighbor's phone. Follow the gas supplier's instructions.
- 4) If you cannot reach the gas supplier, call the fire department.

WARNING: Improper installation, adjustment, alteration, service or maintenance can cause injury or property damage. Refer to this manual. For assistance or additional information consult a qualified installer, service agency or the gas supplier.

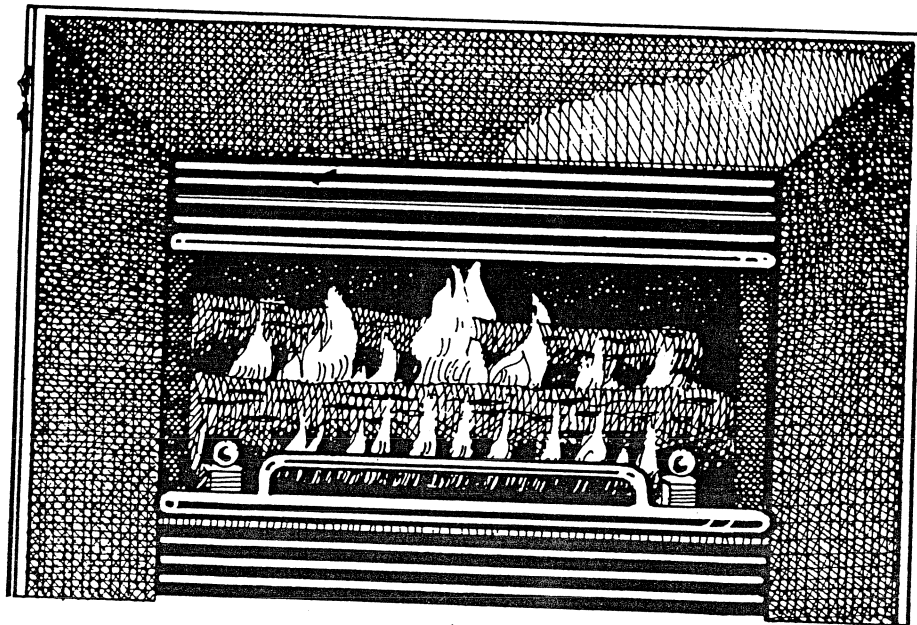
FOR YOUR SAFETY

Do not store or use gasoline or other flammable vapors and liquids in the vicinity of this or any other appliance.

Regency Industries Ltd.
7830 Vantage Way, Delta, B.C.
Canada, V4G 1A7

Warnock Hersey





REGENCY GAS FIREPLACE INSERT

TO THE NEW OWNER

Congratulations! You are the owner of a state-of-the-art Gas Insert by REGENCY INDUSTRIES. The Regency Gas Fireplace Series of hand crafted appliances has been designed to provide you with all the warmth and charm of a fireplace, at the flick of a switch. The models GR44-3, GR45-3, GR54-3 and GR55-3 of this series has been approved by Warnock Hersey for both safety and efficiency. As it also bears our own mark, it promises to provide you with economy, comfort and security for many trouble free years to follow. Please take a moment now to acquaint yourself with these instructions and the many features of your Regency Fireplace.

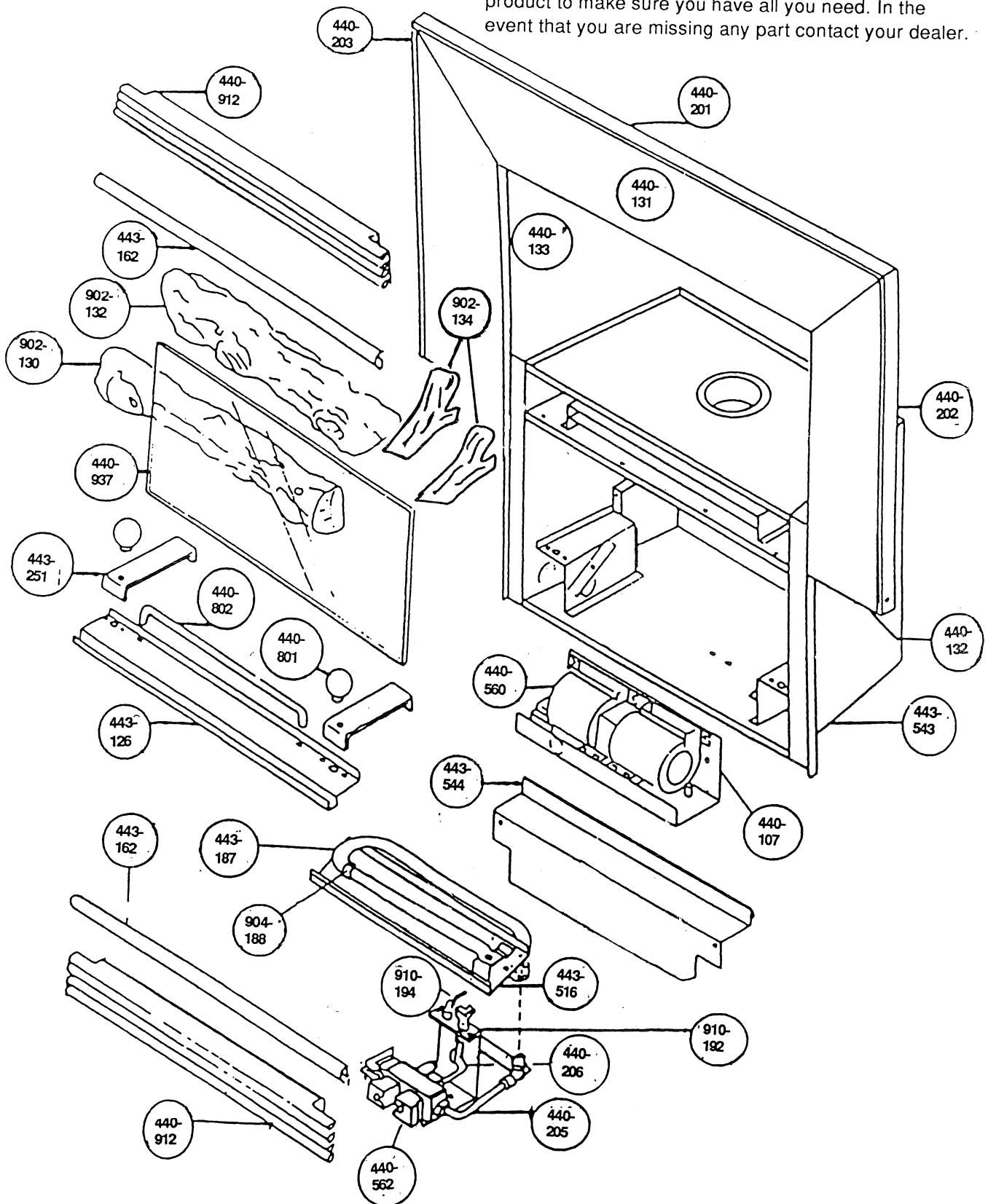
TABLE OF CONTENTS

REGENCY GAS FIREPLACE INSERT

Contents	Page
PARTS	
Parts List	4
Part Number & Description	5
INSTALLATION REQUIREMENTS	
Gas Pipe Testing	6
Specifications	6
General Safety Information	6-7
Minimum Fireplace Clearances	7
Clearances to Combustibles	7
Materials Required	8
INSTALLATION INSTRUCTIONS	
Gas Connection	9
Venting	
- Combustion & Ventilation	10
- Flue Extender Kit	10
Glass	11
Logs	12
- Positioning Log Set	12
Brick Panel	13
Louvers	13
Faceplate & Trim	14-15
OPERATING INSTRUCTIONS	
Operating Instructions	16
Lighting & Shutdown	
- Electronic Ignition	16
- Standing Pilot	17
MAINTENANCE	
Maintenance	18
WARRANTY	
Warranty	19

PARTS LIST

You will be receiving the following components with your new Regency Gas Fireplace. Please review your product to make sure you have all you need. In the event that you are missing any part contact your dealer.



PARTS LIST

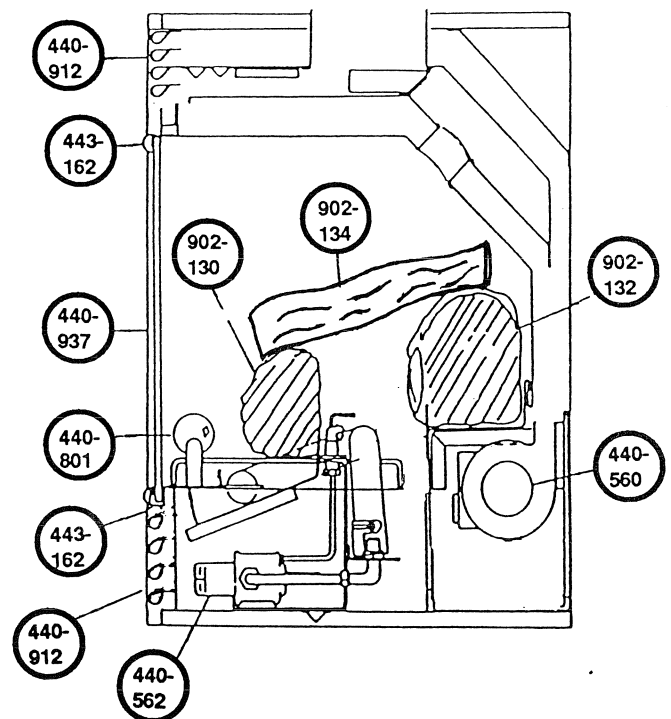
PART NUMBER	PART NAME
440-107	Fan Base
440-131	Top Faceplate
440-132	Faceplate side right
440-133	Faceplate side left
440-201	Faceplate Top Brass Trim
440-202	Faceplate Rt. Brass Trim
440-203	Faceplate left Brass Trim
440-205	Burner Tubing
440-206	Pilot Tubing
440-560*	Electrical Fan Assembly-GR44
440-562**	Valve Assembly-GR44
440-801	Gold Globe
440-802	Front Gold Rail
440-912	Top and Bottom Louvers - Brown or
440-914	Top and Bottom Louvers - Gold
440-937	Glass
443-126	Bottom Glass Channel
443-162	Gold Glass Support Trim
443-187	Burner
443-251	Side Andiron
443-516	Burner Support
443-543	Stove Body
443-544	Fan Cover
902-130	Front Log
902-132	Rear Log
902-134	Cross Log
904-188	Burner Clamp
910-192	Pilot/Spark Assembly

*Electrical Fan Assembly-for other models:

450-560	GR45
540-560	GR54
550-560	GR55

**Valve Assembly-for other models:

450-562	GR45
540-562	GR54
550-562	GR55



Side View Internal Parts

INSTALLATION REQUIREMENTS

IMPORTANT: SAVE THESE INSTRUCTIONS

The Regency Gas Fireplace must be installed in accordance with these instructions. Carefully read all the instructions in this manual first. Consult the building authority having jurisdiction to determine the need for a permit prior to starting the installation.

NOTE: Failure to follow the instructions could cause a malfunction of the heater which could result in death, serious bodily injury, and/or property damage. Failure to follow these instructions may also void your fire insurance and/or warranty. This appliance is not intended for use with a thermostat.

FOR YOUR SAFETY

This appliance requires air for proper combustion. Always provide adequate combustion and ventilation air. Follow instructions and information in CAN/CGA B149 (in Canada) or the National Fuel Gas Code ANSI Z223.1 (in the USA), regarding requirements for combustion and ventilation air.

GAS PIPE TESTING

The appliance must be isolated from the gas supply piping system by closing its individual manual shutoff valve during any pressure testing of the gas supply piping system at test pressures equal to or less than 1/2 psig. (3.45 kPa).

SPECIFICATIONS

Gas Input Capacity: 22,800 BTUH

Note: Not tested for output.

Fuels: Approved for use with both natural gas, liquefied petroleum gases and propane. Approved as is for use at 0' to 4,500'.

Electrical: 115 V.A.C. system.

Circulation Fan: Two speed

Log Sets: Ceramic fiber, 4 per set.

Vent System: 4"B-Vent or double wall aluminum flex liner.

BEFORE YOU START

Safe installation and operation of this appliance requires common sense, however, we are required by the Canadian Safety Standards and ANSI Standards to make you aware of the following:

General Safety Information

- 1) The appliance installation must conform with local codes or in the absence of local codes, with CAN/CGA B149 (in Canada) or the National Fuel Gas Code ANSI Z223.1. This appliance should be installed by a qualified gas fitter technician only.
- 2) Installation and repair should be done by a qualified service person.
- 3) The appliance should be inspected before use and at least annually by a professional service person. More frequent cleaning may be required due to excessive lint from carpeting, bedding material, etc. It is imperative that control compartments, burners and circulating air passageways of the appliance be kept clean and free from excessive lint from carpeting.
- 4) See general construction and assembly instructions. This appliance may only be installed in a vented, non-combustible fireplace. The appliance and vent should be enclosed when installed in or passing through a living area, where children may come in contact with it.
- 5) Always connect this fireplace to a chimney and vent to the outside of the building envelope. Never vent to another room or inside a building. Make sure that the vent is properly sized and is of adequate height to provide the proper draft.
- 6) Inspect the venting system annually for blockage and any signs of deterioration.
- 7) Any safety glass removed for servicing must be replaced prior to operating the appliance.
- 8) To prevent injury, do not allow anyone who is unfamiliar with the operation to use the fireplace.
- 9) Due to high temperatures, the appliance should be located out of high traffic areas and away from furniture and draperies. Children and adults

INSTALLATION REQUIREMENTS

should be alerted to the hazards of high surface temperatures, especially the fireplace glass and gold trims, and should stay away to avoid burns or clothing ignition. Young children should be carefully supervised when they are in the same room as the appliance. Clothing or other flammable material should not be placed on or near the appliance.

Clearances to Combustibles

When this appliance is installed directly on combustible flooring such as carpeting, tile or other combustible material, other than wood flooring, the appliance shall be installed on a metal or wood panel extending the full width and depth of the appliance.

The minimum clearance from the side of the appliance to a combustible side wall is 11 inches. Diagram 2. The minimum clearance from the top of the appliance to a combustible mantle is 14 inches. Diagram 1 & 2.

CLEARANCES

Minimum Fireplace Clearances

The diagrams below show the minimum fireplace clearances required to be able to install the Regency gas fireplace insert.

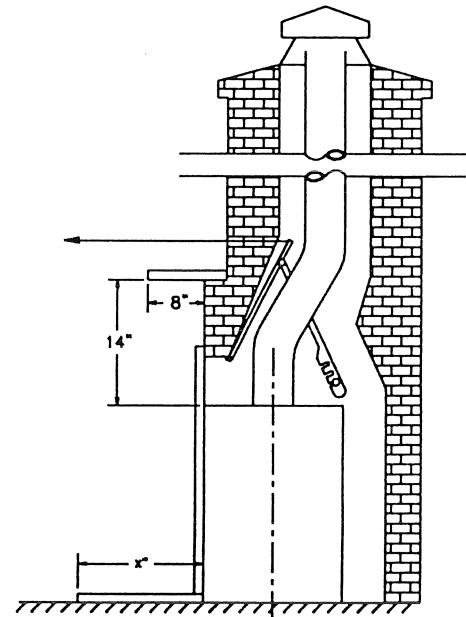
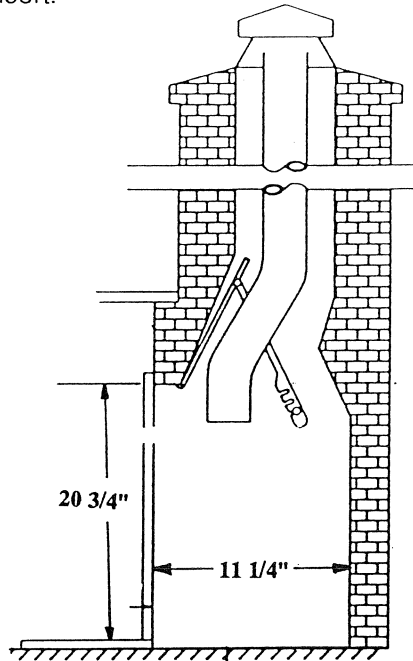


Diagram 1

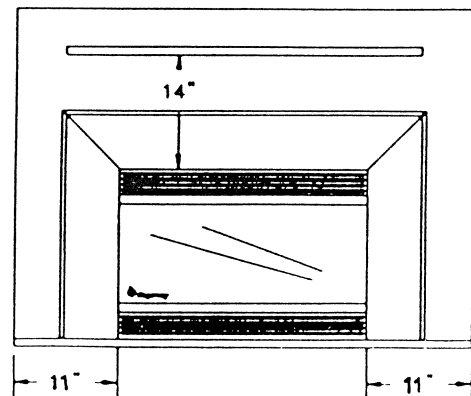
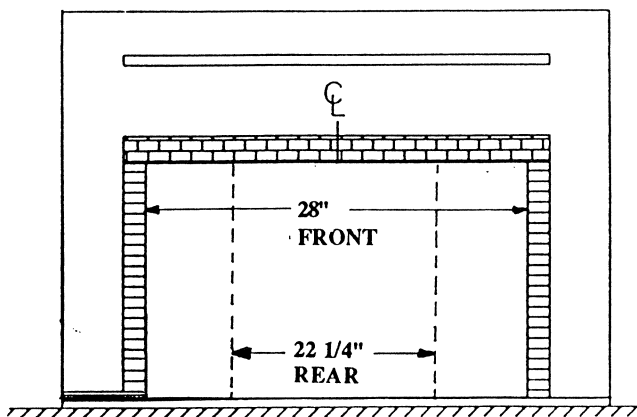


Diagram 2

INSTALLATION REQUIREMENTS

MATERIALS REQUIRED

115 Volt 60 HZ less than 12 amps.

An external electrical power supply is required to operate the Regency Gas Fireplace. This model has a 24 volt electronic ignition control unit which operates the pilot and burner valves. It monitors the pilot flame prior to the main burner whenever the side switch is turned on.

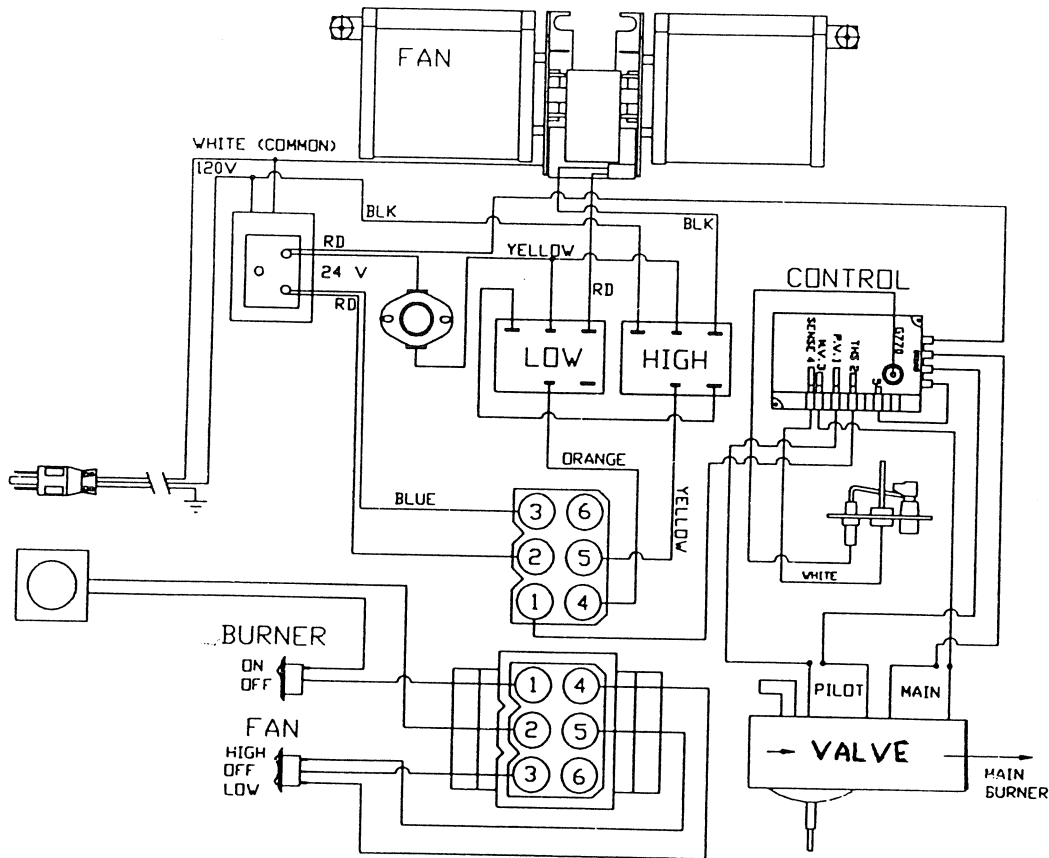
A power cord is provided to allow connection of a 115 volt power supply necessary to operate the circulating air blower. Operation of this fan increases the heat output of the appliance.

When connected with 115 volts, the appliance must be electrically grounded in accordance with local codes, with a current version of CSA C22.1 (in Canada) or in the absence of local codes, with the National Electrical Code ANSI/NFPA 70-1987.

NOTE: This unit is equipped with a heat sensor thermodisc which will prevent the blower from operating until the unit reaches the correct temperature.

Standing Pilot Units:

No electrical power supply is required for the gas control to operate. A 115 Volt AC power cord is hooked up to the switch and blower. Plug 3 wire cord into a suitable receptacle. Do not cut the ground terminal off under any circumstances.



Wiring Diagram for GR44/GR45

INSTALLATION REQUIREMENTS

MATERIALS REQUIRED

Electronic Ignition Units (GR44-4, GR45-4)

115 Volt 60 HZ less than 12 amps.

An external electrical power supply is required to operate the Regency Gas Fireplace. This model has a 24 volt electronic ignition control unit which operates the pilot and burner valves. It monitors the pilot flame prior to the main burner whenever the side switch is turned on.

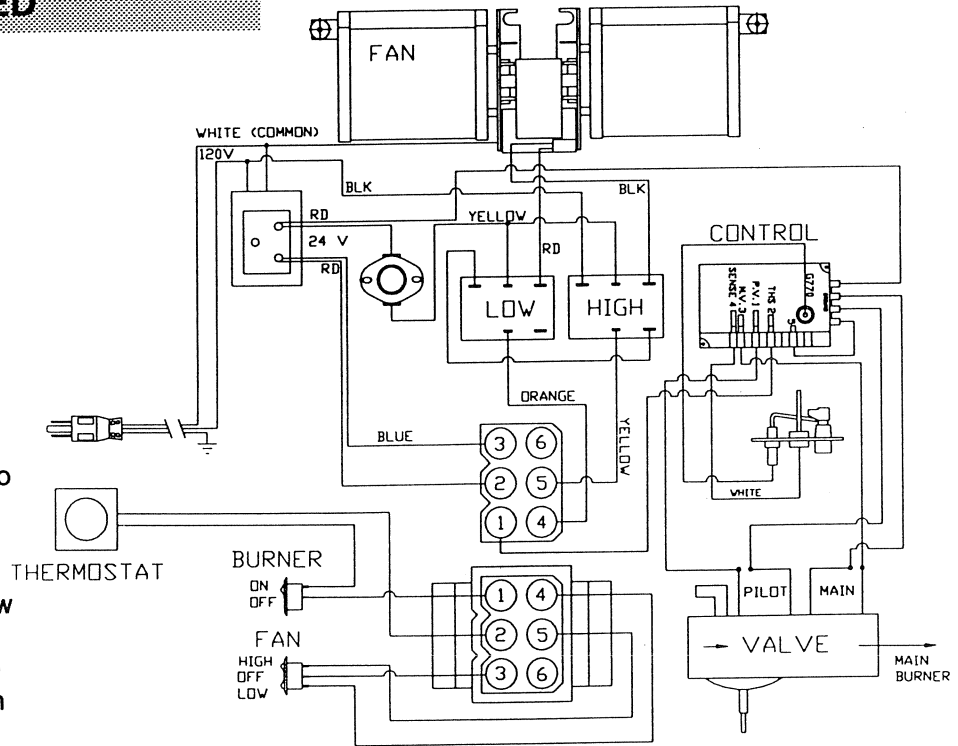
A power cord is provided to allow connection of a 115 volt power supply necessary to operate the circulating air blower. Operation of this fan increases the heat output of the appliance.

When connected with 115 volts, the appliance must be electrically grounded in accordance with local codes, with a current version of CSA C22.1 (in Canada) or in the absence of local codes, with the National Electrical Code ANSI/NFPA 70-1987.

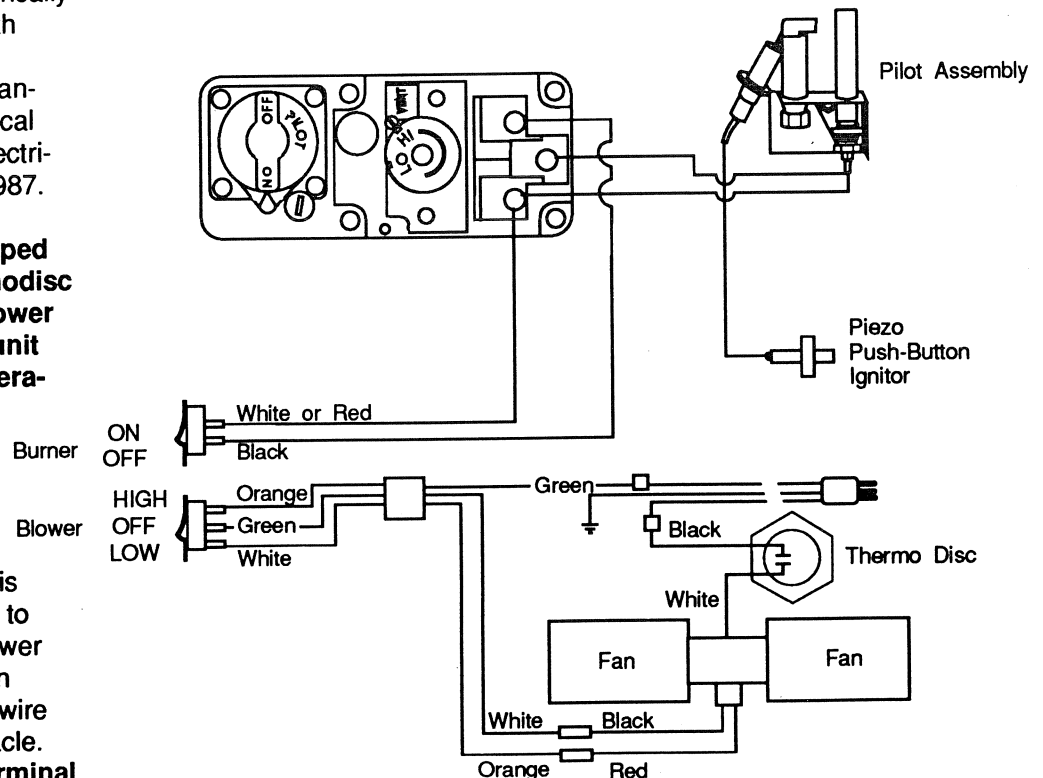
NOTE: This unit is equipped with a heat sensor thermidisc which will prevent the blower from operating until the unit reaches the correct temperature.

Standing Pilot Units (GR54-4, GR55-4)

No electrical power supply is required for the gas control to operate. A 115 Volt AC power cord is hooked up to the fan switch and blower. Plug 3 wire cord into a suitable receptacle. Do not cut the ground terminal off under any circumstances.



Wiring Diagram for GR44-4/GR45-4



Wiring Diagram for GR54-4/GR55-4

INSTALLATION INSTRUCTIONS

GAS CONNECTION

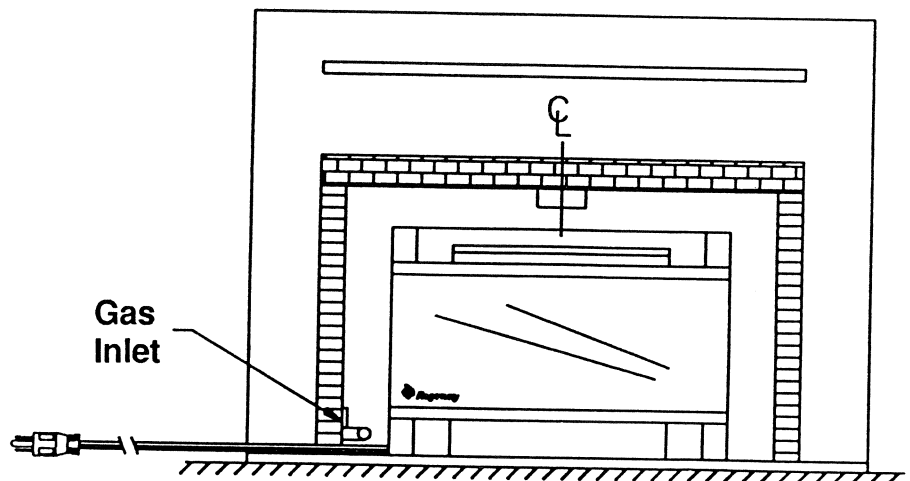
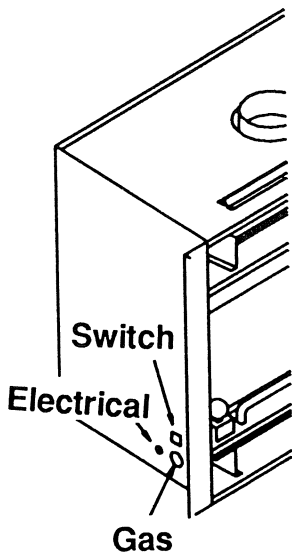
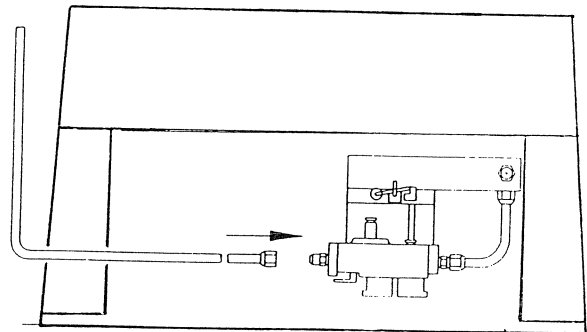
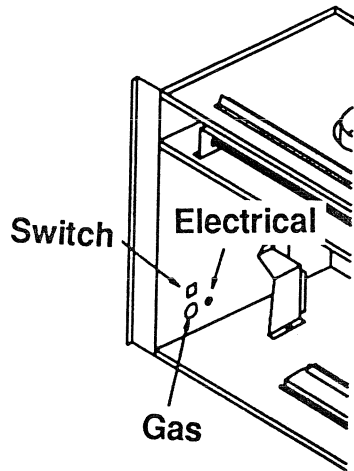
GAS CONNECTION WARNING:

Only persons licenced to work with gas piping may make the necessary gas connections to this appliance.

- 1) If the appliance is to be installed into an existing chimney system, thoroughly clean the masonry fireplace that has been chosen for the Regency Gas Fireplace.
- 2) The appliance is provided with an opening on the left hand side of the control compartment. A 1/2" gas supply pipe must be brought near this inlet hole.

- 3) Locate the center point where the vent will pass through the chimney above the appliance. Move the appliance into the exact location where it is to be installed. Ensure that the Insert is level.
- 4) The installer must provide a 1/8" N.P.T. valve with a plugged tapping, accessible for test guage connection, immediately upstream of the gas supply connection to the appliance.
- 5) Once the gas has been connected ensure that the pilot valve is in line with burner.

CAUTION: If the glass is removed for servicing, it must be replaced prior to operating the appliance. The glass must be fixed in the closed position when operating.



INSTALLATION INSTRUCTIONS

VENTING

THE APPLIANCE MUST NOT BE CONNECTED TO A CHIMNEY FLUE SERVING A SEPARATE SOLID FUEL BURNING APPLIANCE.

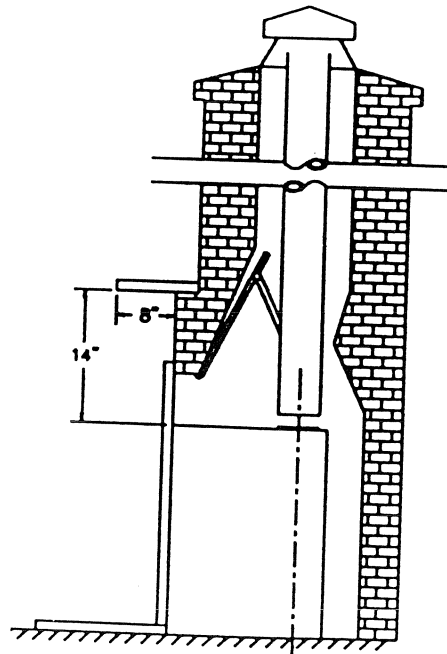
This appliance is designed to attach to a 4" diameter type B-Vent or double wall aluminum flex liner.

The flue collar of the appliance will fit inside a standard vent and may be fastened directly to the vent by sheet metal screw or a B-Vent, single wall vent connector.

B-Vent chimneys require a 1" clearance to combustibles.

The Regency Insert incorporates its own internal draft hood, so no additional external draft hood is required. Check periodically that the vent is unrestricted and an adequate draft is present when the unit is in operation.

Before installing vent system ensure that the damper plate is locked into the open position and secure to prevent the damper plate from falling down and crushing the liner.



COMBUSTION AND VENTILATION AIR

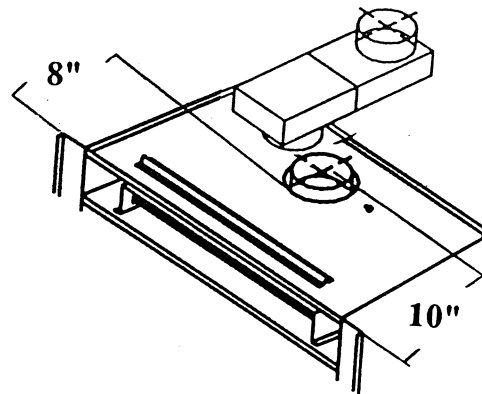
WARNING: This appliance needs fresh air for safe operation and must be installed with provisions for adequate combustion and ventilation air available to the room in which it is to be operating.

Follow CAN/CGA B149 (in Canada) or ANSI Z223.1 (in the USA) requirements, and any local codes or regulations of the enforcing authority.

Air for combustion is drawn in through the front of the unit, therefore, the front of the unit must be kept clear of any obstructions.

FLUE EXTENDER KIT

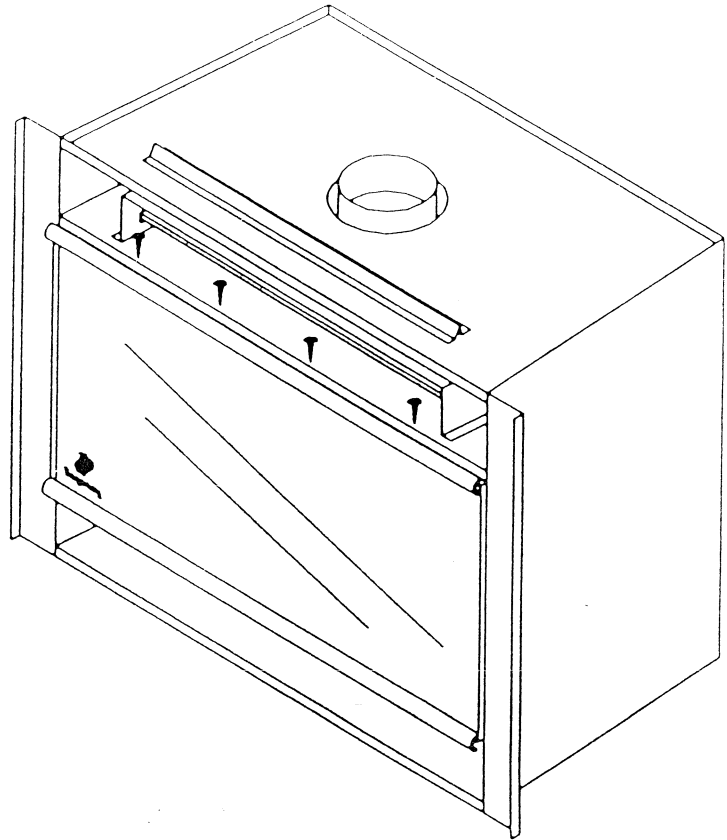
A flue extender kit is available as an accessory to move the flue outlet back for easier liner installations in deep fireplaces.



INSTALLATION INSTRUCTIONS

GLASS

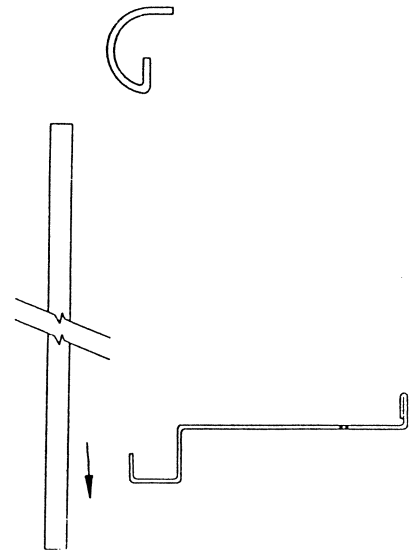
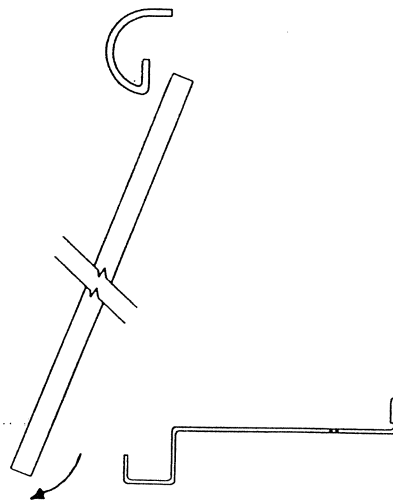
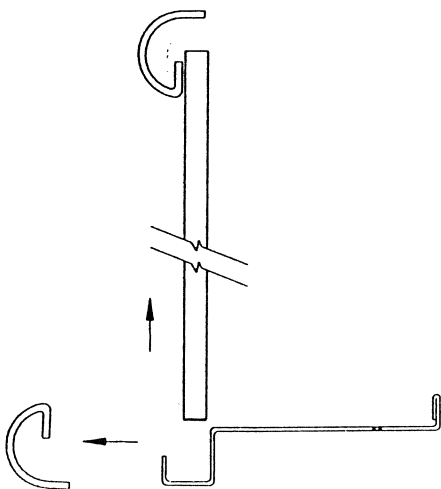
- 1) **Removing Glass:** Remove the lower gold glass retainer by gently lifting up on it. Next lift the glass at both bottom corners and pull glass forward until it clears the bottom channel, then slide the glass down and out of the upper gold glass retainer. Carefully set the glass aside.
- 2) **Installing Glass:** The glass must remain out to complete the installation of the logs, and brick panel. Once complete, install the glass by reversing the above procedures.



Step 1
Lift glass up

Step 2
Pull glass forward

Step 3
Slide glass down



INSTALLATION INSTRUCTIONS

LOGS

WARNING: Dangerous operating conditions may occur if these logs are not positioned in their Warnock Hersey certified locations. Read the following instructions carefully and refer to the attached diagram.

The gas log kit contains four (4) logs:

- 1) 3" diameter by 20" long (# 902-132)
- 2) 2 3/4" diameter by 19 3/4" long (# 902-130)
- 3) Set of 2: 2" diameter by 8" long (# 902-134)

POSITIONING THE LOG SET

- 1) Remove the logs from the heater and carefully un-wrap them.
- 2) Place the larger diameter log (# 902-132) in the back of the heater, aligning the slots in the bottom of the log with the supports sticking in the rear of the unit.
- 3) Place the smaller diameter log (# 902-130) on the support stands behind the front burner. The slots in the log should be facing the bottom of the insert.
- 4) Place the 2 cross logs (# 902-134) as in Diagram 3.

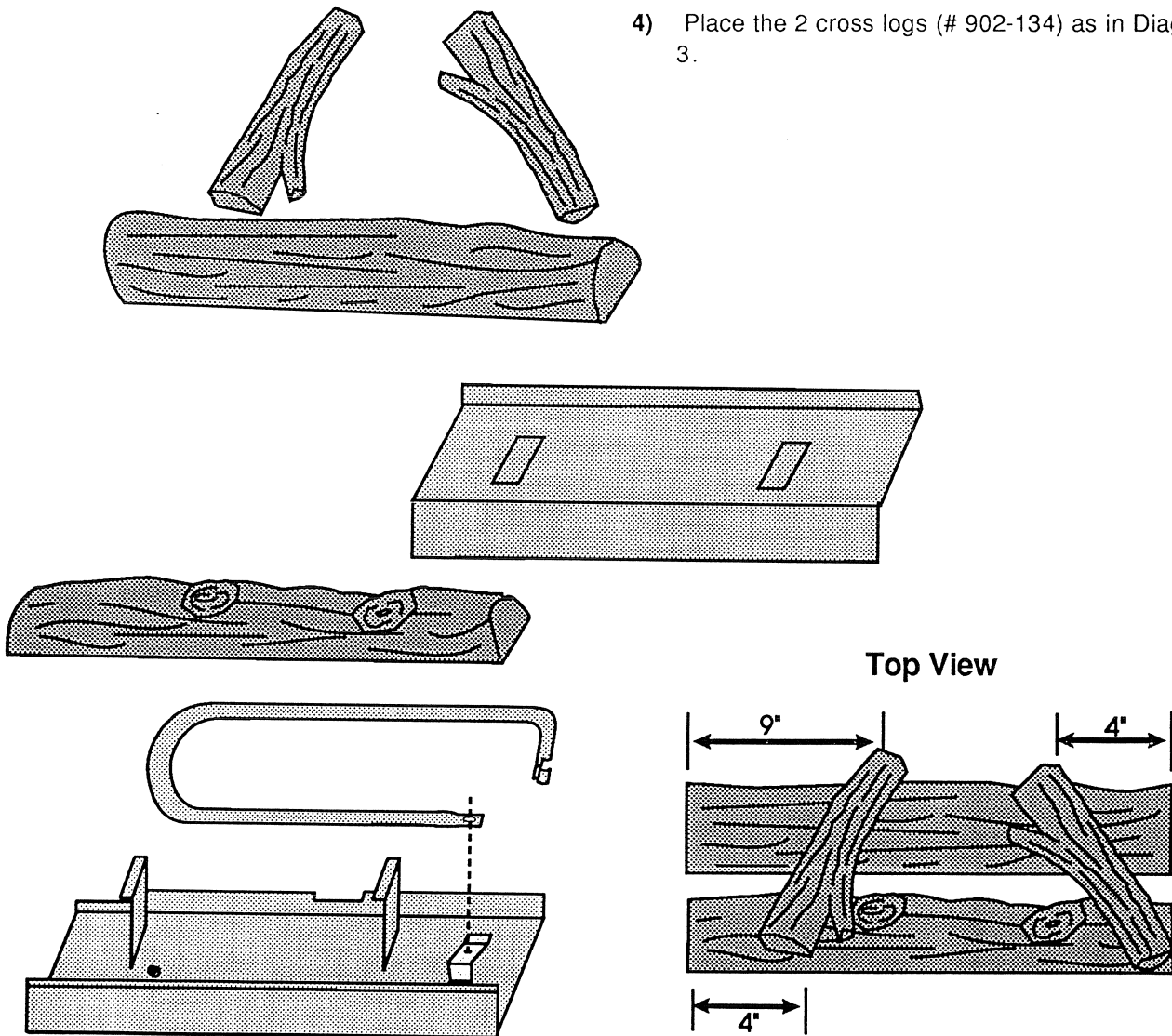
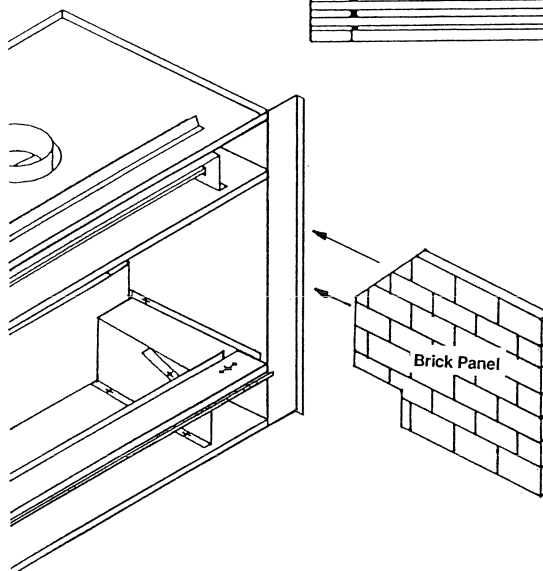
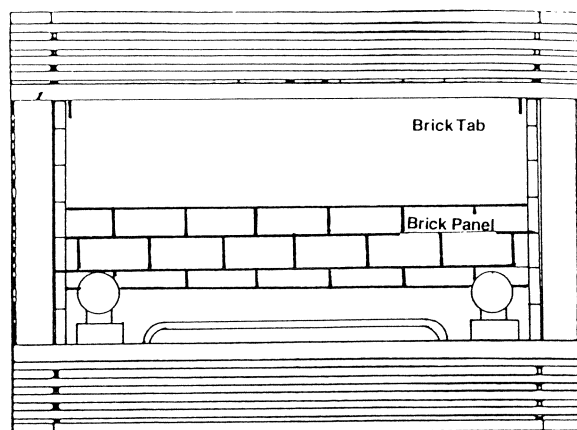


Diagram 3

INSTALLATION INSTRUCTIONS

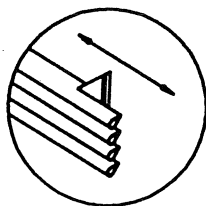
BRICK PANEL

- 1) Unwrap the brick pattern panel from the protective wrapping.
- 2) With the glass removed, slide the brick panel into place from the front of the firebox, there is a tab at the top of the unit to hold the panel in place. Position the back panel first then the two side panels.
- 3) The brick panels should be tight against the firebox sides and the side panels flush with the glass.

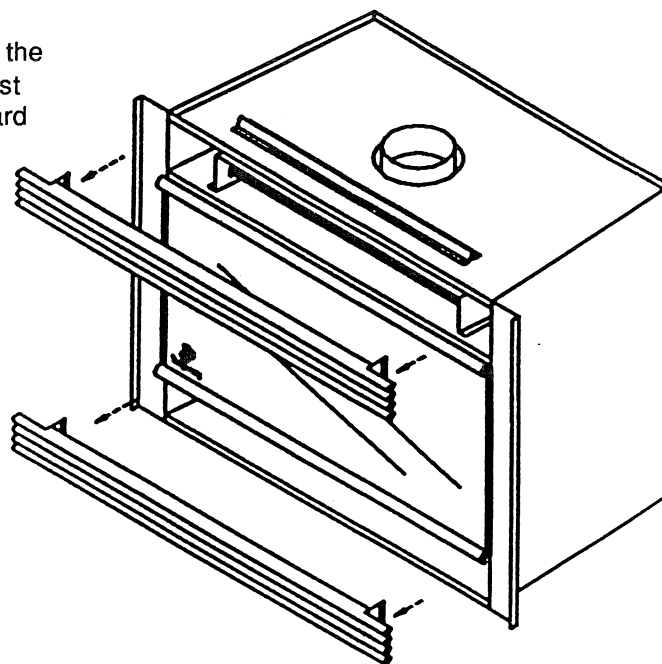


LOUVERS

The louvers are packaged individually in the box marked louvers. The louvers are held in place by friction fit, if the louver needs to be adjusted; bend the bracket out as shown in the diagram. Louvers must be installed with the louver's angles in the downward position as shown.



**Bend tabs for
tightness adjustment**



INSTALLATION INSTRUCTIONS

FACEPLATE & TRIM INSTALLATION

- 1) Lay the faceplate panels flat, facedown on something soft so they don't scratch.
- 2) Take the top faceplate and align the holes in it with the holes in the side panels. Using the screws provided, attach from the top of the panel (the holes in the top panel are slightly larger than the holes in the side panel to facilitate easier installation). Diagram 4.

Hint: Don't tighten the screws down completely at this point, continue on with steps 3) to 5) and do a trial fit to the unit. Make any necessary adjustments and when it fits properly then tighten down the screws.

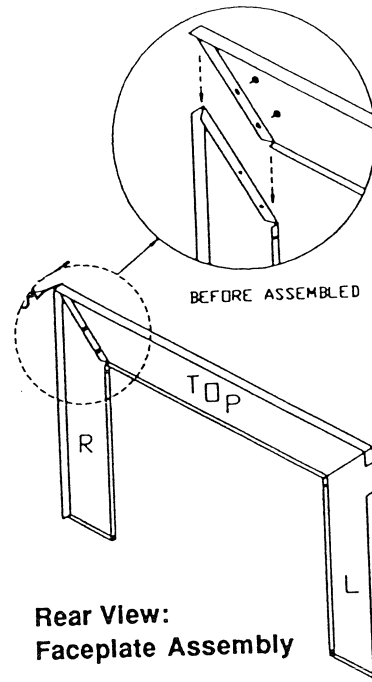


Diagram 4

- 3) GR54 and GR55 only: Protective Bracket Installation: Install protective bracket to faceplate trim. Insert grommet and wires. Insert protective bracket between faceplate side and faceplate trim. Diagram 6.
- 4) Using the connectors provided, join the left side trim with the switches to the top trim. Diagram 5.
- 5) Place the trim on the assembled faceplate panels, aligning the wire connections from the switches with the notch on the left side panel.
- 6) Connect the right side trim to the top trim.

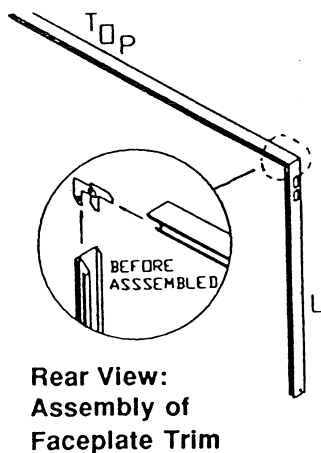


Diagram 5

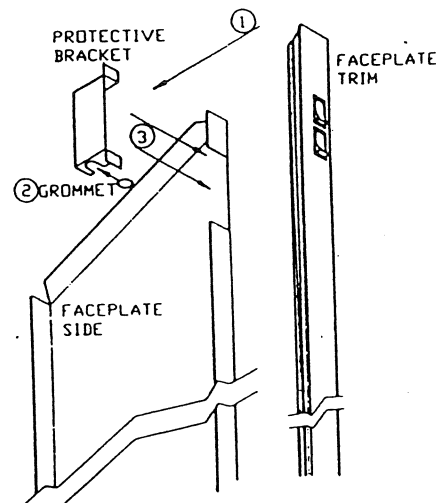
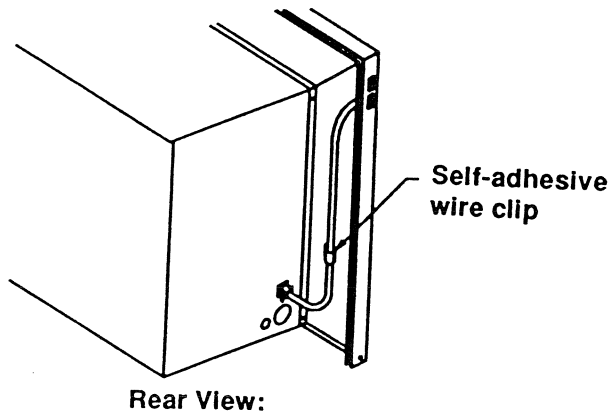


Diagram 6

INSTALLATION INSTRUCTIONS



Rear View:

Diagram 7

- 7) Connect the plug end from the switches to the matching plug from the unit. Make sure the plugs are pushed together as far as they can go. Push the connection into the hole in the side of the insert so it is locked into place. Tuck the wires into the faceplate to keep them away from the insert using the clip provided. Attach the clip to the rear of the faceplate to ensure that the wires do not touch the side of the unit. Diagram 7.
- 8) The power cord should be run behind the faceplate panel.
- 9) Attach the brass trim to the faceplate by drilling a hole through into the faceplate using the hole in the trim as a guide. Fasten the trim to the faceplate panels using the gold plated screws. Diagram 9.
- 10) Attach the faceplate panels to the insert body using the 4 remaining screws. Diagram 8.

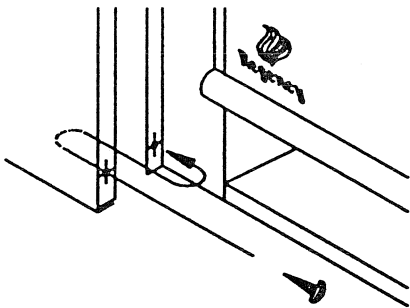


Diagram 8

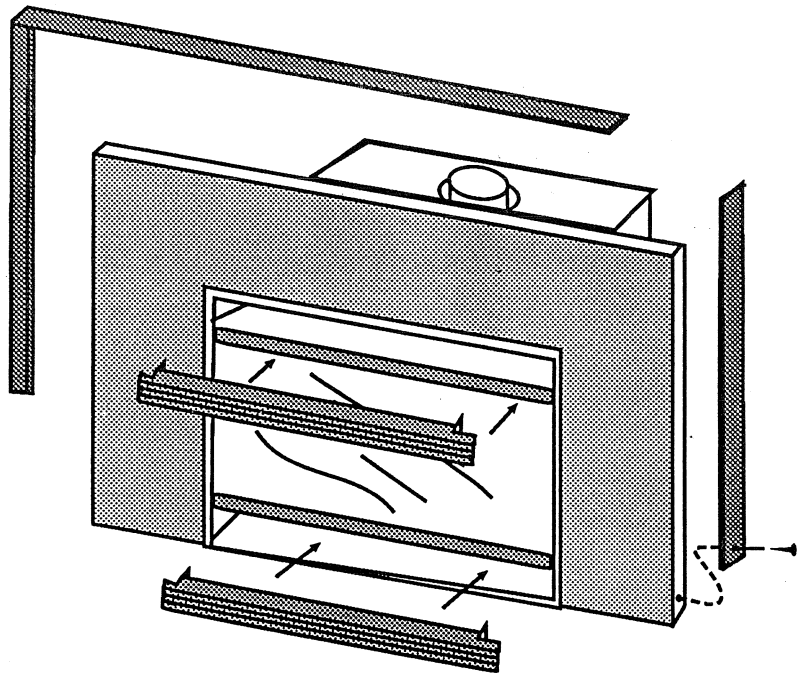


Diagram 9

OPERATING INSTRUCTIONS

OPERATING INSTRUCTIONS

- 1) Upon completing the gas line connection, a small amount of air will be in the lines. When first lighting the appliance, it will take a few seconds for the lines to purge themselves of air. Once purging is completed, the pilot and burners will light when the top switch (burner) is flicked on. Subsequent lightings of the appliance will not require such purging.

NOTE: Propane systems may go into "lockout" during purging. The system can be manually reset after 30 seconds.

- 2) When lit for the first time, the appliance will emit a slight odor for an hour or two. This is due to the "burn-in" of internal paints used in manufacturing and burn off of starch in the logs. You may wish to open a few windows to ventilate the room for a couple of hours. Again, this is a "one time" burn-in procedure and is not uncommon among gas fired appliances.
- 3) When lighting the appliance, the inside of the glass may fog up. This will burn off after a few minutes of operation.

DO NOT BURN THE APPLIANCE WITHOUT THE GLASS FRONT IN PLACE.

- 4) The bottom switch operates the fan which forces heated air into the room. The three position switch allows you to select HIGH (top) or LOW (bottom). OFF is the middle position.

ELECTRONIC IGNITION UNITS (GR44-3 & GR45-3):

LIGHTING PROCEDURE

- 1) Turn the unit switch to the "OFF" position.
- 2) Turn the gas knob to the "OFF" position.
- 3) Wait five minutes to allow gas, that may have accumulated in the main burner compartment, to escape.
- 4) Turn the gas valve knob to the "ON" position.
- 5) Turn the unit to the "ON" position. This will turn on the ignitor and light the main burner.

SHUTDOWN PROCEDURE

- 1) To shut off the main burner, move the wall switch to the "OFF" position.
- 2) Turn the gas knob to "OFF" to shut off the system for extended periods of time or for maintenance.

CAUTION: Wait five (5) minutes before attempting to relight this appliance.

OPERATING INSTRUCTIONS

STANDING PILOT UNITS (GR54-3 & GR55-3):

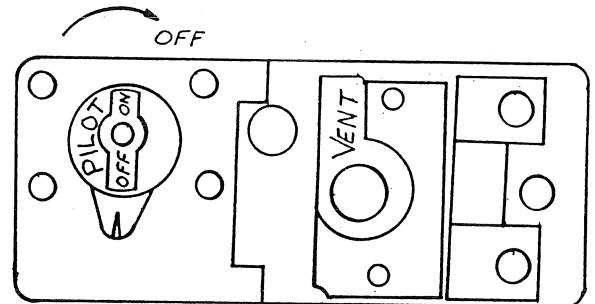
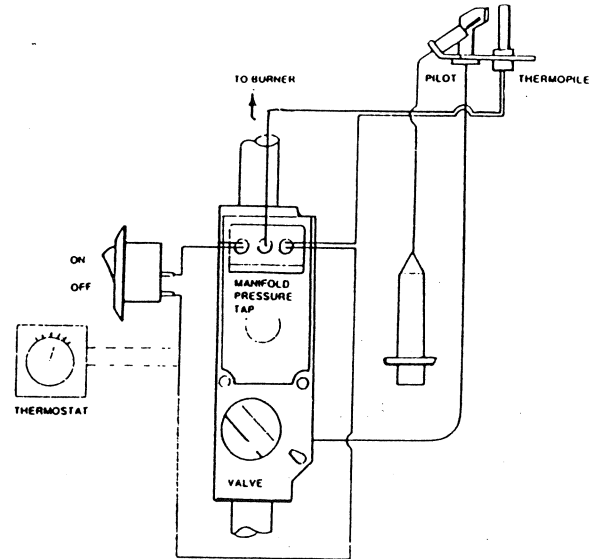
LIGHTING PROCEDURE

IMPORTANT: Gas cock knob cannot be turned from "Pilot" to "Off" unless it is partially depressed.

- 1) Turn burner OFF using "On/Off" switch.
- 2) Turn gas control knob so indicator points to "Off" position and allow 5 minutes for any air in the system to escape.
- 3) Turn gas control knob counterclockwise so indicator points to the "Pilot" position. Depress fully the gas control knob. Depress the igniter button several times until the pilot lights. After approximately one minute, release the gas control knob. The pilot flame should continue to burn. If the pilot does not remain lit, repeat operation allowing a longer period before releasing gas control knob.
- 4) When the pilot stays lit, turn the gas knob further counterclockwise to the "On" position.
- 5) Use the rocker switch to operate the main burner.

Shutdown Instructions

- 1) Use the rocker switch to turn off the main burner.
- 2) Turn the main gas control clockwise to the "Off" position to turn off the pilot.
- 3) Turn off all electric power to appliance if service is to be performed.



MAINTENANCE

- 1) Always turn gas cock on valve to OFF before cleaning. For re-lighting, refer to lighting instructions.
- 2) Clean glass (never when unit is hot) and appliance, faceplate and louvers with a damp cloth. Never use an abrasive cleaner. The gold louvers or gold bond faceplate may be scratched if abrasives are used to clean them.

The heater is finished in a heat resistant paint and should not be refinished with wall paint.

- 3) Keep control compartment, logs, burners and area surrounding the logs clean by vacuuming or brushing at least twice a year.
- 4) The appliance and venting system should be inspected before use or at least annually by a qualified field service person.
- 5) Always keep the appliance area clear and free from combustible materials, gasoline and other flammable vapours and liquids.
- 6) Never obstruct the flow of combustion and ventilation air. Keep the lower louvers clear of all obstacles and materials.
- 7) Make a periodic check of burner and pilot flames.