

Grandview® G600C Gas Fireplace

Owners & Installation Manual

MODEL: G600C
Medium DV Gas Fireplace



www.regency-fire.com

⚠ Warning
Fire or Explosion Hazard
Failure to follow safety warnings exactly could result in serious injury, death, or property damage.

Do not store or use gasoline or other flammable vapors and liquids in the vicinity of this or any other appliance.

WHAT TO DO IF YOU SMELL GAS

- Do not try to light any appliance.
- Do not touch any electrical switch: do not use any phone in your building. Leave the building immediately.
- Immediately call your gas supplier from a neighbour's phone. Follow the gas supplier's instructions.
- If you cannot reach your gas supplier, call the fire department.

Installation and service must be performed by a qualified installer, service agency or the gas supplier.

Tested by:



Certified to/Certifié pour: ANSI Z21.88-2019


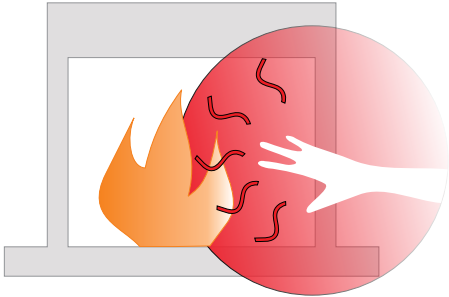
Installer: Please complete the details on the back cover and leave this manual with the homeowner.

Homeowner: Please keep these instructions for future reference.

To the New Owner:

Congratulations!

You are the owner of a state-of-the-art Gas Fireplace by REGENCY®. The Grandview™ G600C has been designed to provide you with all the warmth and charm of a wood fireplace at the flick of a switch. The Grandview™ G600C has been approved by Intertek for both safety and efficiency. As it also bears our own mark, it promises to provide you with economy, comfort and security for many trouble free years to follow. Please take a moment now to acquaint yourself with these instructions and the many features of your Regency® Fireplace.

		DANGER
	HOT GLASS WILL CAUSE BURNS	
	DO NOT TOUCH GLASS UNTIL COOLED	
	NEVER ALLOW CHILDREN TO TOUCH GLASS	
<p>A barrier designed to reduce the risk of burns from the hot viewing glass is provided with this appliance and must be installed for the protection of children and other at risk individuals.</p>		
<p>CAUTION: HOT WHILE IN OPERATION. DO NOT TOUCH. SEVERE BURNS MAY RESULT. KEEP CHILDREN, CLOTHING, FURNITURE, GASOLINE, AND ANY OTHER LIQUIDS WITH FLAMMABLE VAPOURS AWAY.</p>		
<p>KEEP BURNER AND CONTROL COMPARTMENT CLEAN. SEE INSTALLATION AND OPERATING INSTRUCTIONS ACCOMPANYING APPLIANCE.</p>		
<p>920-408</p>		

MANUFACTURED MOBILE HOME REQUIREMENTS

INFORMATION FOR MOBILE/MANUFACTURED HOMES AFTER FIRST SALE

This Regency® product has been tested and listed by Intertek as a Direct Vent Wall Furnace to the following standards: Vented Gas Fireplace Heaters ANSI Z21.88-2019.

This Direct Vent System Appliance must be installed in accordance with the manufacturer's installation instructions and the Manufactured Home Construction and Safety Standard, Title 24 CFR, Part 3280, or the current Standard of Fire Safety Criteria for Manufactured Home Installations, Sites, and Communities ANSI/NFPA 501A.

This appliance installation must comply with the manufacturer's installation instructions and local codes, if any. In the absence of local codes follow the current National Fuel Gas Code, ANSI Z223.1 and the current National Electrical Code ANSI/NFPA 70 in the U.S.A.

This appliance comes equipped with a dedicated #8 Ground Lug for attachment of the ground wire to the steel chassis as applicable to local codes.

The appliance, when installed, must be electrically grounded in accordance with local codes or, in the absence of local codes, with the National Electrical Code, ANSI/NFPA 70.

This appliance may only be installed in an aftermarket permanently located, manufactured (U.S.A only) or mobile home, where not prohibited by local codes.

This appliance can only be used with the type of gas indicated on the rating plate. This appliance is not convertible for use with other gases.

Ensure that structural members are not cut or weakened during installation.



This appliance may be installed in an aftermarket permanently located, manufactured (U.S.A. only) or mobile home, where not prohibited by local codes.

This appliance is only for use with the type of gas indicated on the rating plate. A conversion kit is supplied with the appliance.



WARNING

CARBON MONOXIDE POISONING HAZARD

Failure to follow the steps outlined below for each appliance connected to the venting system being placed into operation could result in carbon monoxide poisoning or death. The following steps shall be followed for each appliance connected to the venting system being placed into operation, while all other appliances connected to the venting system are not in operation:

1. Seal any unused openings in the venting system.
2. Inspect the venting system for proper size and horizontal pitch, as required in the *National Fuel Gas Code*, ANSI Z223.1/NFPA 54.1 and these instructions. Determine that there is no blockage or restriction, leakage, corrosion and other deficiencies which could cause an unsafe condition.
3. As far as practical, close all building doors and windows and all doors between the space in which the appliance(s) connected to the venting system are located and other spaces of the building.
4. Close fireplace dampers.
5. Turn on clothes dryers and any appliance not connected to the venting system. Turn on any exhaust fans, such as range hoods and bathroom exhausts, so they are operating at maximum speed. Do not operate a summer exhaust fan.
6. Follow the lighting instructions. Place the appliance being inspected into operation. Adjust the thermostat so appliance is operating continuously.
7. Test for spillage from draft hood equipped appliances at the draft hood relief opening after 5 minutes of main burner operation. Use the flame of a match or candle.
8. If improper venting is observed during any of the above tests, the venting system must be corrected in accordance with *National Fuel Gas Code*, ANSI Z223.1/NFPA.
9. After it has been determined that each appliance connected to the venting system properly vents when tested as outlined above, return doors, windows, exhaust fans, fireplace damper and any other gas-fired burning appliance to the previous conditions of use.

Other considerations:

Non-metallic venting systems shall not interchange components with another listed or unlisted metallic venting system.

Owner's Information

Copy of Safety Decal	6
Unit Dimensions	10
Before You Start	11
Important Message	12
General Safety Information	12
To Turn Appliance On/Off	12
Optional Fan Operation	12
Lighting the Pilot Using the Gas Control Knob Extender	13
Copy of Lighting Plate Instructions	14
Proflame I Remote Control Operating Instructions	15
Proflame I Remote Receiver Battery Replacement	18
Operating Procedure for Remote Control	19
Safety Screen Removal	20
Safety Screen Installation	20
Glass Door Removal	20
Glass Door Installation	20

Installer's Information

Gas Installation Checklist	21
Installation Checklist	21
Locating Your Gas Fireplace	21
Heatwave Duct System Optional Kit	21

Installation

Clearance / Framing and Venting Configurations	22
Cool Wall Installation (Combustible Finishing)	23
Non-Combustible Installation	23
Unit Assembly Prior to Installation (Nailing Flange Installation)	24
Nailing Flange Installation	25
Cool Wall Clearances	27
Cool Wall Mantel Clearances	28
Cool Wall Mantel Leg Clearances	28
Cool Wall Installation—Framing	29
Cool Wall Installation—Cool Wall Conversion	30
Chase Venting	31
Chase Vent Installation - Cool Wall (Part #776-941)	32
Clean Front Installation (Non Cool Wall) - Clearances	33
Clean Front Installation (Non Cool Wall) - Mantel Clearances	34
Clean Front Installation (Non Cool Wall) - Mantel Leg Clearances	35
Clean Front Installation (Non Cool Wall)—Non Combustible Requirements	35
Clean Front Installation—Framing (Non Cool Wall)	36
Clean Front Installation	37
Outside Finish Installation (Non Cool Wall)—Clearances	38
Outside Finish Installation (Non Cool Wall) - Mantel Clearances	39
Outside Finish Installation (Non Cool Wall)—Mantel Leg Clearances	39
Outside Finish Installation (Non Cool Wall)—Framing	40
Outside Finish—Finishing	41
Faceplate Installation (Part # 776-922, 776-924, 776-926)	42
Finishing Trim Install (Part # 776-928)	43
Wall Board/Drywall Installation	45
Conversion to Rear Vent	46
Vent Restrictor Installation (Part # 776-027)	49
Venting Introduction	49
Outdoor Conversion (Part #946-856)	50
Exterior Vent Termination Requirements	53
4" X 6-5/8" (102 mm - 168 mm) Rigid Pipe - Cross Reference Chart Only	54
Venting Arrangements for Horizontal Terminations - Flex Vent or Rigid Pipe 4" x 6-5/8" (102 mm x 168 mm)	57
Venting Arrangements - Horizontal Termination - Rigid Pipe and Direct Vent System (Flex)	58
Venting Arrangements Vertical Termination - Rigid Pipe System and Vertical Flex Kit to Same Limitations	59
Horizontal Terminations - Two 90° Elbows	60
Horizontal Terminations - Three 90° Elbows	60
Vertical Venting With Two 90° Elbows	61
Vertical Venting With Three 90° Elbows	61
Venting Arrangements with Co-linear Flex System into a Masonry	

Chimney Application	62
Venting Arrangement - Vertical Terminations - Co-linear Flex System Into Masonry Fireplaces	63
Unit Installation with Horizontal Termination	64
Unit Installation with Vertical Termination	65
Direct Vent System (Flex) Installation Procedures	66
Vertical Termination 4' x 6-7/8' (102 mm x 175 mm) Venting - Vertical Flex Vent Kit (Part #946-755)	67
Vertical Flue Extension Kit (Part #946-756)	68
Ceiling Firestop / Firestop Spacer (Part #946-757)	68
Conversion from NG to LP for G600C Using SIT 881/821 PROFLAME Gas Valve	69
Brick Panel Installation (Part # 776-901, 776-903, 776-904, 776-905)	71
Enamel/Steel Panel installation (Steel Panels - Part # 776-907, Enamel Panels - Part # 776-908)	72
Log Set Installation	73
Crystal Tray Installation (Part #776-937)	78
Driftwood Media Tray Installation	79
Pilot Adjustment	81
High Elevation	81
SIT 820 Valve Description	81
G600C - NG System Data	81
G600C - LP System Data	81
Gas Pipe Pressure Testing	81
Aeration Adjustment	82
Electrical Access and Installation	82
Optional Wall Thermostat (Part #910-407)	83
Optional Remote Control (Part # 946-704)	83
Optional Wall Switch (Not Supplied by Regency)	83
Installing an Optional Wall Switch (Not Offered by Regency) or Thermostat (Part # 910-407 or 910-404/P)	84
Wiring Diagram With and Without Thermostat/Remote Control	85
Installing the Optional Fan (Part 761-979)	86
Fan Install After Unit Installation	87
Fan Wall Control Installation Kit (Part # 761-974)	88
Optional On/Off Remote Kit Installation (Part # 946-704)	90
Safety Screen Removal	91
Safety Screen Installation	91
Glass Door Removal	91
Glass Door Installation	91

Operation

Operating Instructions	92
First Fire	92
Normal Operating Sounds of Gas Appliances	92
DC Spark Igniter Battery Installation/Replacement	93
Copy of Lighting Plate Instructions	94

Maintenance

Maintenance Instructions	95
General Vent Maintenance	95
Log Replacement	95
Glass Gasket	95
Door Glass	95
Glass Replacement	95
Valve Replacement	96
Gas Appliance Maintenance	97

Parts

Main Assembly	98
Parts	99
Optional Accessories	100

Warranty 102

Recycling 107



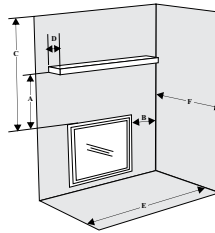
safety decal

This is a copy of the label that accompanies each Grandview™ G600C Direct Vent Gas Fireplace. We have printed a copy of the contents here for your review. **NOTE:** Regency® units are constantly being improved. Check the label on the unit and if there is a difference, the label on the unit is the correct one.

NOTE: This fireplace is rated for both commercial & residential use.

Copy of Safety Decal

Duplicate S/N 542

	Listed/Nom: Vented Gas Fireplace Heater / Foyer au Gaz à Évacuation Certified to/Certifié pour: ANSI Z21.88-2019 MAY BE INSTALLED IN MANUFACTURED (MOBILE) HOMES AFTER FIRST SALE. <small>Refer to Intertek's Directory of Building Products for detailed information. Pour plus de détails, se reporter au Répertoire des produits de construction de Intertek.</small>																																												
NATURAL GAS: Model G600C-NG APPAREIL FONCTIONNANT AU GAZ NATUREL Modèle G600C-NG		DO NOT REMOVE THIS LABEL / NE PAS ENLEVER CETTE ÉTIQUETTE Serial No./ No de série 542																																											
<table border="0" style="width: 100%;"> <tr><td>Minimum supply pressure</td><td>5.0"</td><td>WC/C.E.</td><td>(1.25 kPa)</td></tr> <tr><td>Manifold pressure high</td><td>3.8"</td><td>WC/C.E.</td><td>(0.94 kPa)</td></tr> <tr><td>Manifold pressure low</td><td>1.1"</td><td>WC/C.E.</td><td>(0.27 kPa)</td></tr> <tr><td>Orifice size</td><td>#44</td><td>DMS</td><td></td></tr> <tr><td>Minimum input</td><td>11,500</td><td>Btu/h</td><td>3.37 kWh</td></tr> <tr><td>Maximum input</td><td>21,000</td><td>Btu/h</td><td>6.15 kWh</td></tr> <tr><td>Altitude</td><td>0-4500</td><td>ft/pi</td><td>(0-1372 m)</td></tr> </table>	Minimum supply pressure	5.0"	WC/C.E.	(1.25 kPa)	Manifold pressure high	3.8"	WC/C.E.	(0.94 kPa)	Manifold pressure low	1.1"	WC/C.E.	(0.27 kPa)	Orifice size	#44	DMS		Minimum input	11,500	Btu/h	3.37 kWh	Maximum input	21,000	Btu/h	6.15 kWh	Altitude	0-4500	ft/pi	(0-1372 m)	<table border="0" style="width: 100%;"> <tr><td>Pression d'alimentation minimale</td><td></td></tr> <tr><td>Pression manifold - haute</td><td></td></tr> <tr><td>Pression manifold - basse</td><td></td></tr> <tr><td>Taille de l'orifice</td><td></td></tr> <tr><td>Débit calorifique minimal</td><td></td></tr> <tr><td>Débit calorifique maximal</td><td></td></tr> <tr><td>Altitude</td><td></td></tr> </table>	Pression d'alimentation minimale		Pression manifold - haute		Pression manifold - basse		Taille de l'orifice		Débit calorifique minimal		Débit calorifique maximal		Altitude		Minimum Clearances to Combustibles / Rear Vent—Clean Finish Dégagements minimaux par rapport aux matériaux combustibles 0" Clearance to combustibles from Top, sides, and bottom of unit 0.5" Clearance to combustibles from rear of unit Mantel Clearances from Fireplace Opening / Side Wall Clearance from Fireplace Opening / A) Min 6" (152 mm) B) Min 6" (152 mm) Ceiling from Top of Fireplace Opening: C) Min. 44.25" (1124 mm) Mantel Depth: D) Max. 12" (305 mm) Alcove Clearances: E) Min. Width 84" (2134 mm) F) Max. Depth 36" (914 mm) Minimum Vent Clearances: Horizontal Top 2" (51 mm) Horizontal Side 1-1/2" (38 mm) Horizontal Bottom 1-1/2" (38 mm) Vertical Vent 1-1/2" (38 mm)	
Minimum supply pressure	5.0"	WC/C.E.	(1.25 kPa)																																										
Manifold pressure high	3.8"	WC/C.E.	(0.94 kPa)																																										
Manifold pressure low	1.1"	WC/C.E.	(0.27 kPa)																																										
Orifice size	#44	DMS																																											
Minimum input	11,500	Btu/h	3.37 kWh																																										
Maximum input	21,000	Btu/h	6.15 kWh																																										
Altitude	0-4500	ft/pi	(0-1372 m)																																										
Pression d'alimentation minimale																																													
Pression manifold - haute																																													
Pression manifold - basse																																													
Taille de l'orifice																																													
Débit calorifique minimal																																													
Débit calorifique maximal																																													
Altitude																																													
PROPANE GAS: Model G600C-LP APPAREIL FONCTIONNANT AU GAZ PROPANE Modèle G600C-LP	<table border="0" style="width: 100%;"> <tr><td>Minimum supply pressure</td><td>11"</td><td>WC/C.E.</td><td>(2.74 kPa)</td></tr> <tr><td>Manifold pressure high</td><td>10.5"</td><td>WC/C.E.</td><td>(2.61 kPa)</td></tr> <tr><td>Manifold pressure low</td><td>2.9"</td><td>WC/C.E.</td><td>(0.72 kPa)</td></tr> <tr><td>Orifice size</td><td>#55</td><td>DMS</td><td></td></tr> <tr><td>Minimum input</td><td>11,000</td><td>Btu/h</td><td>3.22 kWh</td></tr> <tr><td>Maximum input</td><td>20,500</td><td>Btu/h</td><td>6.01 kWh</td></tr> <tr><td>Altitude</td><td>0-4500</td><td>ft/pi</td><td>(0-1372 m)</td></tr> </table>	Minimum supply pressure	11"	WC/C.E.	(2.74 kPa)	Manifold pressure high	10.5"	WC/C.E.	(2.61 kPa)	Manifold pressure low	2.9"	WC/C.E.	(0.72 kPa)	Orifice size	#55	DMS		Minimum input	11,000	Btu/h	3.22 kWh	Maximum input	20,500	Btu/h	6.01 kWh	Altitude	0-4500	ft/pi	(0-1372 m)	<table border="0" style="width: 100%;"> <tr><td>Pression d'alimentation minimale</td><td></td></tr> <tr><td>Pression manifold - haute</td><td></td></tr> <tr><td>Pression manifold - basse</td><td></td></tr> <tr><td>Taille de l'orifice</td><td></td></tr> <tr><td>Débit calorifique minimal</td><td></td></tr> <tr><td>Débit calorifique maximal</td><td></td></tr> <tr><td>Altitude</td><td></td></tr> </table>	Pression d'alimentation minimale		Pression manifold - haute		Pression manifold - basse		Taille de l'orifice		Débit calorifique minimal		Débit calorifique maximal		Altitude		 <p style="color: red; font-weight: bold; text-align: center;">DOOR SEAL: Please check that the door is properly sealed</p> <p style="font-size: 0.8em;">(See Instruction Manual for detailed instructions)</p>
Minimum supply pressure	11"	WC/C.E.	(2.74 kPa)																																										
Manifold pressure high	10.5"	WC/C.E.	(2.61 kPa)																																										
Manifold pressure low	2.9"	WC/C.E.	(0.72 kPa)																																										
Orifice size	#55	DMS																																											
Minimum input	11,000	Btu/h	3.22 kWh																																										
Maximum input	20,500	Btu/h	6.01 kWh																																										
Altitude	0-4500	ft/pi	(0-1372 m)																																										
Pression d'alimentation minimale																																													
Pression manifold - haute																																													
Pression manifold - basse																																													
Taille de l'orifice																																													
Débit calorifique minimal																																													
Débit calorifique maximal																																													
Altitude																																													
<p>This appliance must be installed in accordance with local codes, if any; if none, follow the National Fuel Gas Code, ANSI Z223.1.</p> <p>This appliance must be installed in accordance with the Manufactured Home Construction and Safety Standard, Title 24 CFR, Part 3280, in the United States, or when such a standard is not applicable, ANSI/NCSCS A225.1/NFPA 501A, Manufactured Home Installations Standard or ANSI A119.2 ou NFPA 501C Standard for Recreational Vehicles</p> <p>This appliance is only for use with the type of gas indicated on the rating plate and may be installed in an aftermarket, permanently located, manufactured (mobile) home where not prohibited by local codes. See owner's manual for details. This appliance is not convertible for use with other gases, unless a certified kit is used. (Kit #776-977). Fan Part # 761-979.</p> <p>Installer l'appareil selon les codes ou règlements locaux, ou, en l'absence de tels règlements, selon les codes d'installation ANSI Z223.1. Installer l'appareil selon la norme 24 CFR, Part 3280, Manufactured Home Construction and Safety Standard. Si ces normes ne sont pas pertinentes, utilisez la norme ANSI/NCSCS A225.1/NFPA 501A, Manufactured Home Installations Standard, ou ANSI A119.2 ou NFPA 501C Standard for Recreational Vehicles. Cet appareil doit être utilisé uniquement avec le type de gaz indiqué sur la plaque signalétique. Cet appareil peut être installé dans une maison préfabriquée ou mobile (É.-U. seulement) installée à demeure si les règlements locaux le permettent. Voir la notice de l'utilisateur pour plus de renseignements. Cet appareil ne peut pas être utilisé avec d'autres gaz sauf si une trousse de conversion certifiée est fournie.</p> <p>This vented gas fireplace heater is not for use with air filters. FOR USE WITH GLASS DOORS CERTIFIED WITH THE APPLIANCE ONLY For Use Only with Barrier (Part # 776-109/P)</p> <p>Part No. 946-556 HeatWave Kit may be used. La trousse HeatWave (pièce no. 946-556) peut être utilisée. Electrical supply/Alimentation électrique 115VAC, 1.5A, 60Hz.</p> <p style="text-align: center;">Ne pas utiliser de filtre à air avec ce foyer au gaz à évacuation. POUR UTILISATION UNIQUEMENT AVEC LES PORTES EN VERRE CERTIFIÉES AVEC L'APPAREIL Utiliser uniquement avec l'écran (n° 776-109/P)</p> <p style="text-align: right;">FPI Fireplace Products International Ltd. Delta, BC, Canada Made in Canada/ Fabriqué au Canada</p>																																													
<p>VENTED GAS FIREPLACE HEATER - NOT FOR USE WITH SOLID FUELS. CATEGORY I FOYER AU GAZ À ÉVACUATION - NE PAS UTILISER AVEC UN COMBUSTIBLE SOLIDE. CATÉGORIE I</p>																																													

For the State of Massachusetts, installation and repair must be done by a plumber or gas fitter licensed in the Commonwealth of Massachusetts.

For the State of Massachusetts, flexible connectors shall not exceed 36 inches in length.

For the State of Massachusetts, the appliances individual manual shut-off must be a t-handle type valve.

The State of Massachusetts requires the installation of a carbon monoxide alarm in accordance with NFPA 720 and a CO alarm with battery back up in the same room where the gas appliance is installed.

Decal Location

DO NOT REMOVE DECAL FROM UNIT.



Remove bottom cover—decal will be on the floor of the unit

MA Code - CO Detector (for the State of Massachusetts only)

5.08: Modifications to NFPA-54, Chapter 10

(2) Revise 10.8.3 by adding the following additional requirements:

(a) For all side wall horizontally vented gas fueled equipment installed in every dwelling, building or structure used in whole or in part for residential purposes, including those owned or operated by the Commonwealth and where the side wall exhaust vent termination is less than seven (7) feet above finished grade in the area of the venting, including but not limited to decks and porches, the following requirements shall be satisfied:

1. **INSTALLATION OF CARBON MONOXIDE DETECTORS.** At the time of installation of the side wall horizontal vented gas fueled equipment, the installing plumber or gasfitter shall observe that a hard wired carbon monoxide detector with an alarm and battery back-up is installed on the floor level where the gas equipment is to be installed. In addition, the installing plumber or gasfitter shall observe that a battery operated or hard wired carbon monoxide detector with an alarm is installed on each additional level of the dwelling, building or structure served by the side wall horizontal vented gas fueled equipment. It shall be the responsibility of the property owner to secure the services of qualified licensed professionals for the installation of hard wired carbon monoxide detectors

a. In the event that the side wall horizontally vented gas fueled equipment is installed in a crawl space or an attic, the hard wired carbon monoxide detector with alarm and battery back-up may be installed on the next adjacent floor level.

b. In the event that the requirements of this subdivision can not be met at the time of completion of installation, the owner shall have a period of thirty (30) days to comply with the above requirements; provided, however, that during said thirty (30) day period, a battery operated carbon monoxide detector with an alarm shall be installed.

2. **APPROVED CARBON MONOXIDE DETECTORS.** Each carbon monoxide detector as required in accordance with the above provisions shall comply with NFPA 720 and be ANSI/UL 2034 listed and IAS certified.

3. **SIGNAGE.** A metal or plastic identification plate shall be permanently mounted to the exterior of the building at a minimum height of eight (8) feet above grade directly in line with the exhaust vent terminal for the horizontally vented gas fueled heating appliance or equipment. The sign shall read, in print size no less than one-half (1/2) inch in size, "**GAS VENT DIRECTLY BELOW. KEEP CLEAR OF ALL OBSTRUCTIONS**".

4. **INSPECTION.** The state or local gas inspector of the side wall horizontally vented gas fueled equipment shall not approve the installation unless, upon inspection, the inspector observes carbon monoxide detectors and signage installed in accordance with the provisions of 248 CMR 5.08(2)(a)1 through 4.

(b) **EXEMPTIONS:** The following equipment is exempt from 248 CMR 5.08(2)(a)1 through 4:

1. The equipment listed in Chapter 10 entitled "Equipment Not Required To Be Vented" in the most current edition of NFPA 54 as adopted by the Board; and

2. Product Approved side wall horizontally vented gas fueled equipment installed in a room or structure separate from the dwelling, building or structure used in whole or in part for residential purposes.

(c) **MANUFACTURER REQUIREMENTS - GAS EQUIPMENT VENTING SYSTEM PROVIDED.** When the manufacturer of Product Approved side wall horizontally vented gas equipment provides a venting system design or venting system components with the equipment, the instructions provided by the manufacturer for installation of the equipment and the venting system shall include:

1. Detailed instructions for the installation of the venting system design or the venting system components; and

2. A complete parts list for the venting system design or venting system.

(d) **MANUFACTURER REQUIREMENTS - GAS EQUIPMENT VENTING SYSTEM NOT PROVIDED.** When the manufacturer of a Product Approved side wall horizontally vented gas fueled equipment does not provide the parts for venting the flue gases, but identifies "special venting systems", the following requirements shall be satisfied by the manufacturer:

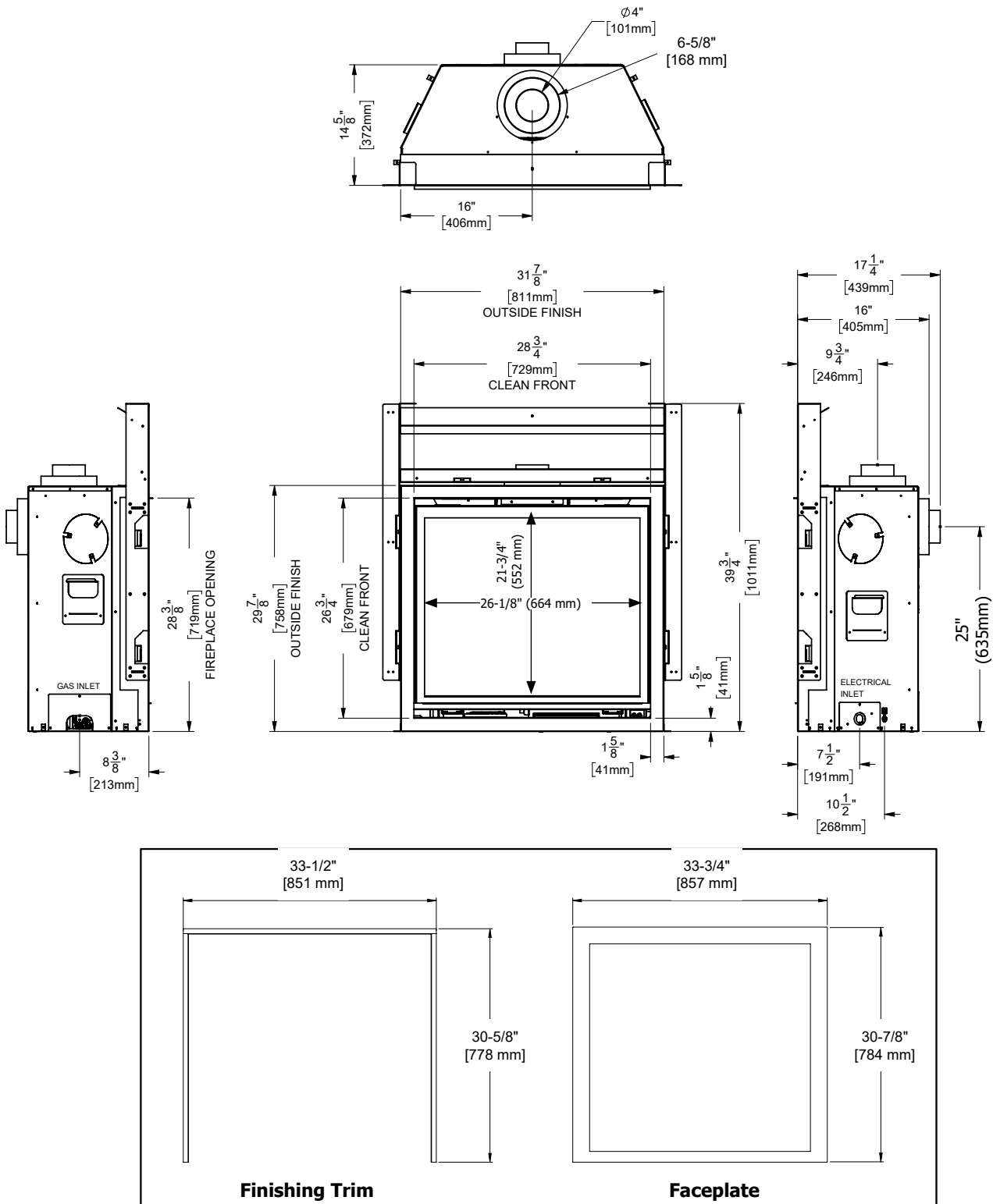
1. The referenced "special venting system" instructions shall be included with the appliance or equipment installation instructions; and

2. The "special venting systems" shall be Product Approved by the Board, and the instructions for that system shall include a parts list and detailed installation instructions.

(e) A copy of all installation instructions for all Product Approved side wall horizontally vented gas fueled equipment, all venting instructions, all parts lists for venting instructions, and/or all venting design instructions shall remain with the appliance or equipment at the completion of the installation.

dimensions

Unit Dimensions



Note: Gas connection is from the left hand side of the appliance & electrical connection on right hand side of the appliance. A metal receptacle box is supplied/installed with the appliance to make all 120 volt electrical connections.

ALL PICTURES / DIAGRAMS SHOWN THROUGHOUT THIS MANUAL ARE FOR ILLUSTRATION PURPOSES ONLY. ACTUAL PRODUCT MAY VARY DUE TO PRODUCT ENHANCEMENTS.

Gas Installation Checklist

This general checklist does not contain all pertinent installation details or specifics and does not supersede the guidelines in this manual. Your Regency dealer/installer should use it in conjunction with manual instructions. Please follow all local codes and jurisdictions in authority.

Customer: _____	Date Installed: _____
Install Address: _____	Location of Fireplace: _____
Serial No: _____	Installer: _____
Model No: _____	
Site Requirements	YES NO
If applicable, are the insulation, vapour barrier, and drywall present if installed on an outside wall or chase?	
Does the area have a solid continuous base to support the unit?	
Will the area accommodate the size of the appliance and all clearances?	
Are the gas and electrical roughed into the area where the unit is being installed?	
In City & Grandview series cool wall applications, is the chase enclosure sealed to prevent heat from escaping? All hot air from the unit must exit via the mandatory ventilation openings.	
In City & Grandview applications, Is the chase enclosure vented with the mandatory heat ventilation openings? See manual for details.	
If applicable, is the masonry/factory built fireplace in its original condition with no modifications?	
If applicable, have the hearth requirements been met?	
Unit Setup	YES NO
If applicable, are the standoffs and top nailing flange extensions installed and at the correct depth to accommodate finishing material? See manual for details.	
If applicable, is the fireplace level and secured, meeting framing clearances? See manual for details.	
If applicable, is the unit converted to top or rear vent per manual instructions, and the insulation discarded?	
Venting	YES NO
Are the venting components approved for the unit installed?	
Does the venting configuration comply with venting diagrams?	
Is venting installed and secured, and are clearances for the vent pipe and termination cap maintained?	
If applicable, was a 1/4" rise maintained for every foot of horizontal run?	
Was the termination installed and sealed?	
Is the direct vent termination at the highest point in the vent assembly?	
If applicable, are both chimney liners continuous from flue collars to termination?	
Electrical and Wiring	YES NO
Is the appliance connected to the household's 110/120v per local codes? Check local codes for receptacle placement.	
Were the connections in the fireplace tested with a circuit tester?	
Is the appliance properly grounded?	
If applicable, is the supplied electrical/gang box affixed to the wall to facilitate the mounting of the receiver/battery box ?	
If applicable, is all electrical, Ethernet, HDMI, networking, optical, wire/cables, conduits, etc. run through the wood or steel stud work as wires/cables of any kind cannot be exposed directly above or over the fireplace?	
Gas	YES NO
Does the supply pressure meet the requirements shown on the rating plate?	
Was a conversion performed?	
Was a leak check performed and manifold pressures verified?	

installation

Is the shut-off valve installed and easily accessible to the customer?		
Finishing	YES	NO
If applicable, is only noncombustible material installed in the noncombustible areas?		
Do clearances meet installation and manual requirements?		
Do the mantels and/or projections comply with the installation manual?		
If applicable, was the solid fuel fireplace warning plate installed?		
Is the chase enclosure fully open the full width, height and depth above the fireplace as per the requirements noted in the framing section?		
Appliance Media Setup	YES	NO
Do commands from the remote or wall switch light the pilot and main burner?		
Are the burner media/log set, glass door, and screen installed per instructions in the manual?		
Was the air shutter on the proper setting after running the unit for 20 minutes?		
If applicable, were the surround and trims installed according to the manual?		
Was the operation of the fan, lights (if installed), and flame modulation checked?		
Customer Tutorial and Presentation	YES	NO
Is the customer confident operating the new gas appliance and aware of all the features on the remote?		
Confirm that the rating and lighting plates are attached to the appliance. Do not remove.		
Was the customer informed of the location of the rating and lighting plates?		
Was accessing unit controls in a power outage explained to the customer?		
Are the model and serial numbers and the date of installation of the unit written in the manual and on the checklist?		
Were the warranty and unit registration reviewed with the customer?		
Comments:		

Before You Start

Safe installation and operation of this appliance requires common sense, however, we are required by the ANSI Standards to make you aware of the following:

INSTALLATION AND REPAIR SHOULD BE DONE BY AN AUTHORIZED SERVICE PERSON. THE APPLIANCE SHOULD BE INSPECTED BEFORE USE AND AT LEAST ANNUALLY BY A PROFESSIONAL SERVICE PERSON. MORE FREQUENT CLEANING MAY BE REQUIRED DUE TO EXCESSIVE LINT FROM CARPETING, BEDDING MATERIAL, ETC. IT IS IMPERATIVE THAT CONTROL COMPARTMENTS, BURNERS AND CIRCULATING AIR PASSAGEWAYS OF THE APPLIANCE BE KEPT CLEAN.

DUE TO HIGH TEMPERATURES, THE APPLIANCE SHOULD BE LOCATED OUT OF TRAFFIC AND AWAY FROM FURNITURE AND DRAPERIES.

WARNING: FAILURE TO INSTALL THIS APPLIANCE CORRECTLY WILL VOID YOUR WARRANTY AND MAY CAUSE A SERIOUS HOUSE FIRE.

CHILDREN AND ADULTS SHOULD BE ALERTED TO THE HAZARDS OF HIGH SURFACE TEMPERATURES, ESPECIALLY THE FIREPLACE GLASS, AND SHOULD STAY AWAY TO AVOID BURNS OR CLOTHING IGNITION.



YOUNG CHILDREN SHOULD BE CAREFULLY SUPERVISED WHEN THEY ARE IN THE SAME AREA AS THE APPLIANCE. TODDLERS, YOUNG CHILDREN AND OTHERS MAY BE SUSCEPTIBLE TO ACCIDENTAL CONTACT BURNS. A PHYSICAL BARRIERS IS RECOMMENDED IF THERE ARE AT RISK INDIVIDUAL IN THE HOUSE. TO RESTRICT ACCESS TO A FIREPLACE OR STOVE, INSTALL AN ADJUSTABLE SAFETY GATE TO KEEP TODDLERS, YOUNG CHILDREN AND OTHER AT RISK INDIVIDUALS OUT OF THE ROOM AND AWAY FROM HOT SURFACES.

CLOTHING OR OTHER FLAMMABLE MATERIAL SHOULD NOT BE PLACED ON OR NEAR THE APPLIANCE.

A BARRIER DESIGNED TO REDUCE THE RISK OF BURNS FROM THE HOT VIEWING GLASS IS PROVIDED WITH THIS APPLIANCE AND SHALL BE INSTALLED FOR THE PROTECTION OF CHILDREN AND OTHER AT-RISK INDIVIDUALS

ANY SAFETY SCREEN, GUARD, OR BARRIER REMOVED FOR SERVICING THE APPLIANCE, MUST BE REPLACED PRIOR TO OPERATING THE APPLIANCE.

IF THE BARRIER BECOMES DAMAGED, THE BARRIER SHALL BE REPLACED WITH THE MANUFACTURER'S BARRIER FOR THIS APPLIANCE.

 **WARNING: Cancer and Reproductive Harm**
www.P65Warnings.ca.gov

919-874

owner's information

Important Message

Save These Instructions

The G600C Direct Vent Fireplace must be installed in accordance with these instructions. Carefully read all the instructions in this manual first. Consult the "authority having jurisdiction" to determine the need for a permit prior to starting the installation. It is the responsibility of the installer to ensure this fireplace is installed in compliance with manufacturer's instructions and all applicable codes.

General Safety Information

1. The appliance installation must conform with local codes or, in the absence of local codes, with the current National Gas Codes or ANSI Z223.1 Installation Codes.
2. The appliance when installed, must be electrically grounded in accordance with local codes, or in the absence of local codes with the current National Electrical Code, ANSI/NFPA 70.
3. See general construction and assembly instructions. The appliance and vent should be enclosed.
4. This appliance must be connected to the specified vent and termination cap to the outside of the building envelope. Never vent to another room or inside a building. Make sure that the vent is fitted as per Venting instructions.
5. Inspect the venting system annually for blockage and any signs of deterioration.
6. Venting terminals shall not be recessed into a wall or siding.
7. Any safety glass removed for servicing must be replaced prior to operating the appliance.
8. To prevent injury, do not allow anyone who is unfamiliar with the operation to use the fireplace.
9. Wear gloves and safety glasses for protection while doing required maintenance.
10. Be aware of electrical wiring locations in walls and ceilings when cutting holes for termination.
11. Under no circumstances should this appliance be modified. Parts that have to be removed for servicing should be replaced prior to operating this appliance.
12. Installation and any repairs to this appliance should be done by a qualified service person. A professional service person should be called to inspect this appliance annually. Make it a practice to have all of your gas appliances checked annually.

13. Do not slam shut or strike the glass door.
14. Under no circumstances should any solid fuels (wood, paper, cardboard, coal, etc.) be used in this appliance.
15. The appliance area must be kept clear and free of combustible materials, (gases and other flammable vapours and liquids).

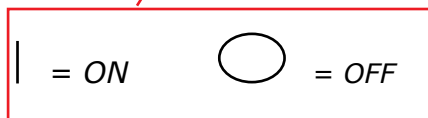
CAUTION Label all wires prior to disconnection when servicing controls. Wiring errors can cause improper and dangerous operation. Verify proper operation after servicing.

To Turn Appliance On/Off

1. Ensure pilot is lit. This appliance will not operate if the pilot is not lit. Follow the lighting instructions in manual to light pilot.
2. Locate the on/off switch located at the bottom right hand corner of the appliance.
3. Flick the switch to turn on or off the appliance.



ON/OFF Switch



Optional Fan Operation

1. If the optional fan has been installed, the speed of the fan can be controlled by using the controller.
2. To control the speed of the fan, locate the fan speed controller located either on the underside of the firebox marked FAN with a dial and/or the wall.

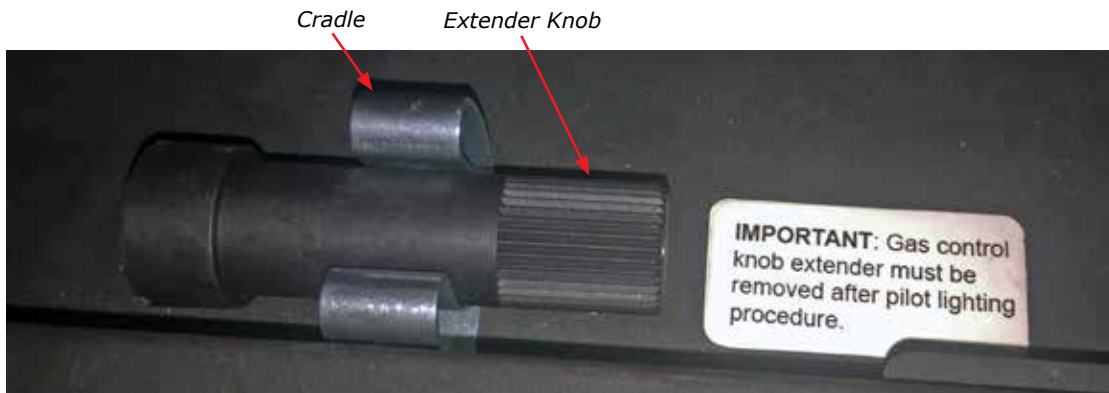
If installed on the underside of the firebox, the screen will need to be removed. See instructions in this manual. If wall mounted simply use the dial to control the speed of the fan.

NOTE The fan may take 15-30 minutes to turn on as this appliance has a fan thermo disc. If the fan speed controller is turned to the ON position, the fan will turn on automatically when heated and turn OFF automatically when cooled down.



Lighting the Pilot Using the Gas Control Knob Extender

1. Remove the knob extender from its cradle located on the firebox floor in front of the gas valve. See below.



2. Slide the extender knob over the pilot/on/off knob located on the gas valve. See below.



Extender knob slid over on/off/pilot knob on gas valve



3. Follow instructions on how to light the pilot in this manual or the lighting plate located on the underside of the unit.
4. Once the pilot is lit, remove the extender knob and put it back into the cradle for future use.

Copy of Lighting Plate Instructions

FOR YOUR SAFETY READ BEFORE LIGHTING POUR VOTRE SÉCURITÉ – À LIRE AVANT LA MISE EN MARCHÉ

WARNING: If you do not follow these instructions exactly, a fire or explosion may result causing property damage, personal injury or loss of life. Improper installation, adjustment, alteration, service or maintenance can cause injury or property damage. Refer to the owner's information manual provided with this appliance. For assistance or additional information consult a qualified installer, service agency or gas supplier.

AVERTISSEMENT. Quiconque ne respecte pas à la lettre les instructions dans la présente notice risque de déclencher un incendie ou une explosion entraînant des dommages, des blessures ou la mort.

Une installation, d'ajustement, de modification, de service ou d'entretien peut provoquer des blessures ou des dommages matériels. Reportez-vous au manuel du propriétaire fourni avec cet appareil. Pour obtenir de l'aide ou des informations supplémentaires consulter un installateur qualifié, une agence de service ou fournisseur de gaz.

A) This appliance has a pilot that must be lighted by hand. When lighting the pilot, follow these instructions exactly.

B) **BEFORE LIGHTING** smell all around the appliance area for gas. Be sure to smell next to the floor because some gas is heavier than air and will settle on the floor.

WHAT TO DO IF YOU SMELL GAS

- Do not try to light any appliance.
- Do not touch any electric switch, do not use any phone in your building.
- Leave the building immediately.
- Immediately call your gas supplier from a neighbours phone. Follow the gas supplier's instructions.
- If you cannot reach your gas supplier, call the fire department.

C) Use only your hand to push in or turn the gas control knob. Never use tools. If the knob will not push in or turn by hand, do not try to repair it; call a qualified service technician. Force or attempted repair may result in a fire or explosion.

D) Do not use this appliance if any part has been under water. Immediately call a qualified service technician to inspect the appliance and replace any part of the control system and any gas control which has been underwater.

A) Cet appareil est muni d'une veilleuse qui doit être allumée manuellement. Respectez les instructions ci-dessous à la lettre.

AVANT LA MISE EN MARCHÉ, reniflez tout autour de l'appareil pour détecter une odeur de gaz. Reniflez au niveau du plancher, car certains gaz sont plus lourds que l'air et peuvent s'accumuler au niveau du sol.

QUE FAIRE SI VOUS SENTEZ UNE ODEUR DE GAZ :

- Ne tentez pas d'allumer l'appareil
- Ne touchez à aucun interrupteur; n'utilisez pas de téléphones se trouvant dans le bâtiment.
- Sortez du bâtiment immédiatement
- Appelez immédiatement votre fournisseur de gaz depuis un téléphone extérieur. Suivez les instructions du fournisseur.
- Si vous ne pouvez pas rejoindre le fournisseur, appelez le service incendie.

C) Ne poussez ni ne tournez la manette d'admission du gaz qu'à la main. Ne jamais employer d'outil à cette fin. Si la manette reste coincée, ne tentez pas de la réparer; appelez un technicien qualifié. Quiconque tente de forcer la manette ou de la réparer peut provoquer une explosion ou un incendie.


D) N'utilisez pas cet appareil s'il a été plongé dans l'eau, même partiellement. Faites inspecter l'appareil par un technicien qualifié et remplacez tout élément du système de contrôle ou de commande qui a été plongé dans l'eau.

CAUTION: Hot while in operation. Do not touch. Severe burns may result. Due to high surface temperatures keep children, clothing and furniture, gasoline and other liquids having flammable vapors away. Keep burner and control compartment clean. See installation and operating instructions accompanying appliance.

ATTENTION : Surfaces chaudes lorsque l'appareil est en marche. Ne pas toucher. Risque de brûlures graves. En raison des températures élevées, les enfants, les vêtements et le mobilier, le carburant et tout autre liquide aux vapeurs inflammables doivent être tenus éloignés de l'appareil. Nettoyer régulièrement le brûleur et le compartiment des commandes. Voir les consignes d'installation et d'utilisation fournies avec l'appareil.


LIGHTING INSTRUCTIONS / CONSIGNES D'ALLUMAGE

1) **STOP! Read the safety information above on this label.**


2) Push in gas control knob slightly and turn clockwise  to "OFF". Knob cannot be turned from "PILOT" to "OFF" unless knob is pushed in slightly. Do not force.



3) Wait five (5) minutes to clear out any gas. If you then smell gas STOP! Follow step "B" in the Safety Information above on this label. If you don't smell gas, go to the next step.

4) Push in gas control knob slightly and turn counterclockwise  to "PILOT" position.

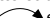
5) Push in control knob all the way and hold in until the pilot lights. Continue to hold the control knob in for about 20 seconds after the pilot lights. Release the knob.

6) Push in gas control knob slightly and turn counterclockwise  to "ON" position.

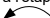
7) Turn on the flame switch.




1) **STOP ! Lire les instructions de sécurité sur la portion supérieure de cette étiquette.**

2) Enfoncer légèrement le bouton de commande de gaz et tournez dans le sens horaire  en position OFF. Le bouton ne peut pas être tourné du PILOT à OFF à moins que le bouton soit enfoncé légèrement. Ne forcez pas.

3) Attendre cinq (5) minutes pour laisser échapper tout le gaz. Si vous sentez une odeur de gaz, ARRÊTEZ! Passez à l'étape "B" des instructions de sécurité sur la portion supérieure de cette étiquette. S'il n'y a pas d'odeur de gaz, passez à l'étape suivante.

4) Enfoncer légèrement le bouton de commande de gaz et tournez dans le sens antihoraire  en position PILOT.

5) Poussez le bouton de commande de gaz à fond et le maintenir enfoncé jusqu'à ce que la veilleuse s'allume. Maintenir le bouton de commande de gaz enfoncé pendant environ 20 secondes après l'allumage de la veilleuse. Relâcher le bouton de commande de gaz.


6) Enfoncer légèrement le bouton de commande de gaz et tournez dans le sens antihoraire  en position 'ON'.

7) Actionner l'interrupteur de flamme.



TO TURN OFF GAS TO APPLIANCE / POUR COUPER LE GAZ AU NIVEAU DE L'APPAREIL

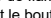
1) Turn off the flame switch.

2) Push in the gas control knob slightly and turn  clockwise to "OFF". Do not force.

3) Turn off all electric power to the appliance if service is to be performed.

You may shut off the pilot during prolonged non use periods to conserve fuel.

1) Fermer l'interrupteur de flamme.

2) Enfoncer légèrement le bouton de commande de gaz et tournez dans le sens horaire  en position OFF. Ne pas forcer.

3) Avant d'effectuer des opérations d'entretien, couper l'alimentation électrique de l'appareil.

Pour économiser le carburant, vous pouvez éteindre la veilleuse lorsque l'appareil reste longtemps inutilisé.

DO NOT REMOVE THIS INSTRUCTION PLATE

NE PAS ENLEVER CETTE ÉTIQUETTE D'INSTRUCTIONS

920-181a

Proflame I Remote Control Operating Instructions

IMPORTANT: The Proflame Transmitter 1 is an integrated part of the Proflame 1 System, which consists of these elements:

- Proflame 1 Transmitter, to be used in conjunction with:
- Integrated Fireplaces Control (Proflame 1 DFG)

The Proflame 1 Transmitter provides for controlling the following hearth appliance functions:

1. Main Burner On/Off
2. Main Burner flame modulation (6 levels) **
3. Thermostat and Smart thermostat functions
4. Accent light modulation (6 levels)**
5. Comfort Fan speed modulation (6 levels)**

** This feature is not available on all models.

Warning: Proflame remote or any other thermostatic control of the burner is not permitted for use on Outdoor applications.

The Proflame Transmitter uses a streamline design with a simple button layout and informative LCD display (Fig. 1). A Mode Key is provided to index between the features and a Thermostat Key is used to turn on/off or index through Thermostat functions (Fig. 1 & 2). Additionally, a Key Lock feature is provided (Fig. 22).



Figure 1: Proflame Transmitter

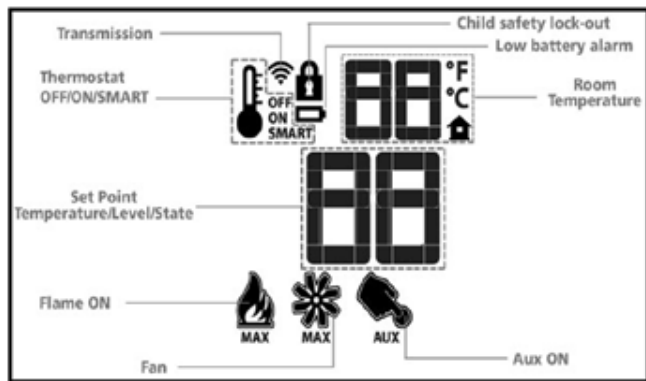


Figure 2: Transmitter LCD Display

Note: May not be exactly as shown as hand-held may be silver or black.

TECHNICAL DATA REMOTE CONTROL	
Supply Voltage	4.5V (three 1.5V AAA batteries)
Ambient temperature ratings	0 - 50°C (32 - 122°F)
Radio Frequency	315 MHZ

WARNING: THE TRANSMITTER AND RECEIVER ARE RADIO FREQUENCY DEVICES. PLACING THE RECEIVER IN OR NEAR METAL MAY SEVERELY REDUCE THE SIGNAL RANGE.

ATTENTION!

- Turn "OFF" the main gas supply of the appliance during installation or maintenance of the Receiver device.
- Turn "OFF" main gas supply to the appliance prior to removing or reinserting the batteries.
- In case of remote control malfunction, turn off the IFC device using the "ON/OFF" main switch.
- For installation / maintenance, switch off the IFC device removing main power supply plug.

OPERATING PROCEDURE

Pairing the remote control to remote receiver / battery holder (if required)

Install the 4 AA batteries into the receiver battery bay. Note the polarity of the battery and insert into the battery bay as indicated on the battery cover (+/-). Place the 3 position slider switch in the "Remote" position. Press the PRG button located on the top right hand corner of receiver, see the receiver instruction(*). The Receiver will "beep" three (3) times to indicate that it is ready to synchronize with a Transmitter. Install the 3 AAA type batteries in the Transmitter battery bay, located on the base of the Transmitter (Fig. 3). With the batteries already installed in the Transmitter, push the On button. The Receiver will "beep" four times to indicate the Transmitter's command is accepted and sets to the particular code of that Transmitter. The system is now initialized.

(*) The receiver may be independent or integral to the IFC hearth appliance control module. The receiver instruction may not be independent when part of the IFC.



Figure 3: Battery Compartment

Note: Only use regular alkaline batteries. Do not use rechargeable or lithium batteries.

owner's information

Temperature indication Display

With the system in the "OFF" position, press the Thermostat Key and the Mode Key at the same time. Look at the LCD screen on the transmitter to verify that a C or F is visible to the right of the room temperature display (Figures 4 & 5).

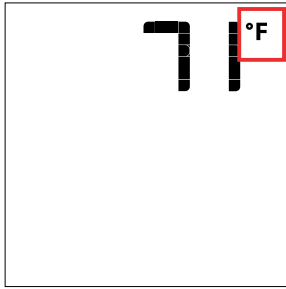


Figure 4: Remote Control display in Fahrenheit.

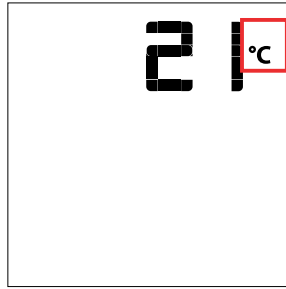


Figure 5: Remote Control display in Celsius.

Turn on the Appliance

With the system OFF, press the ON/OFF Key on the Transmitter. The Transmitter display will show some other active Icons on the screen. At the same time the Receiver will activate the appliance. A single "beep" from the Receiver will confirm reception of the command.

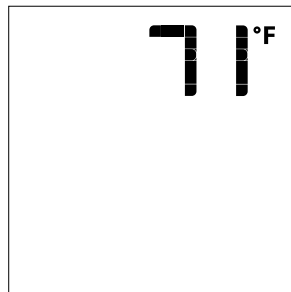


Figure 6: Remote Control display

Turn off the Appliance

With the system ON, press the ON/OFF Key on the Transmitter. The Transmitter LCD display will only show the room temperature (Fig. 6). At the same time the Receiver will turn off the appliance. A single "beep" from the Receiver confirms reception of the command.

Room Thermostat (Transmitter Operation)

The Remote Control can operate as a room thermostat. The thermostat can be set to a desired temperature to control the comfort level in a room. To activate this function, press the Thermostat Key (Fig. 1). The LCD display on the Transmitter will change to show that the room thermostat is "ON" and the set temperature is now displayed (Fig. 9). To adjust the set temperature, press the Up or Down Arrow Keys until the desired set temperature is displayed on the LCD screen of the Transmitter.

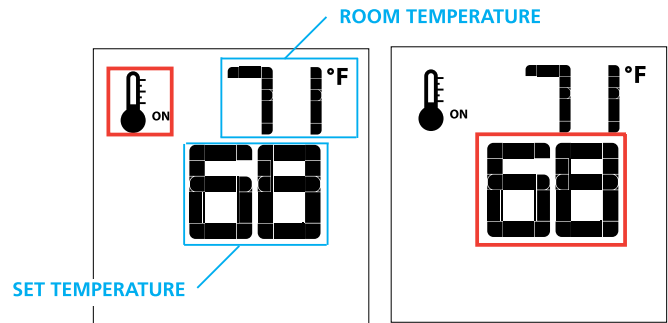


Figure 9

Figure 10

KEY LOCK

This function will lock the keys to avoid unsupervised operation. To activate this function, press the MODE and UP Keys at the same time (fig. 18). To de-activate this function, press the MODE and UP Keys at the same time.

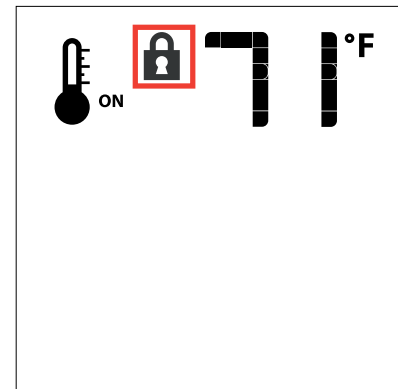


Figure 18

LOW BATTERY POWER DETECTION

Transmitter

The life span of the remote control batteries depends on various factors: quality of the batteries used, the number of ignitions of the appliance, the number of changes to the room thermostat set point, etc. When the Transmitter batteries are low, a Battery Icon will appear on the LCD display of the Transmitter (Fig. 19) before all battery power is lost. When the batteries are replaced this Icon will disappear.



Figure 19

ENABLE / DISABLE functions on the Proflame I remote only.

1. Remove one battery from the remote.
2. Press and hold both the **ON/OFF** and the **MODE** button at the same time.
3. Reinstall the battery (removed in Step 1) while still holding both buttons (keep holding both buttons and once all batteries are installed then release the **MODE** button only).
4. The screen will show **CFG**.
5. Use the up or down arrow button to program out the function on the remote.

owner's information

Proflame I Remote Receiver Battery Replacement

Remote Receiver Battery Replacement

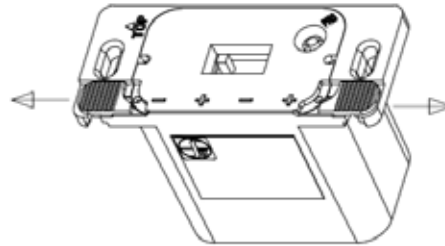
How to replace/add the batteries on remote receiver.

Note: 4 AA batteries are mandatory in the remote receiver to operate appliance when using remote control.

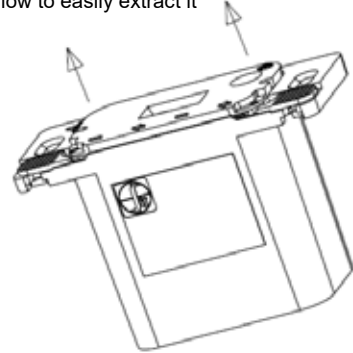
The remote receiver will be located on the bottom right hand side of appliance next to the fan speed controller. The safety screen will need to be removed to gain access to this remote receiver.

STEP 1

Move both the left/right slides as shown below.

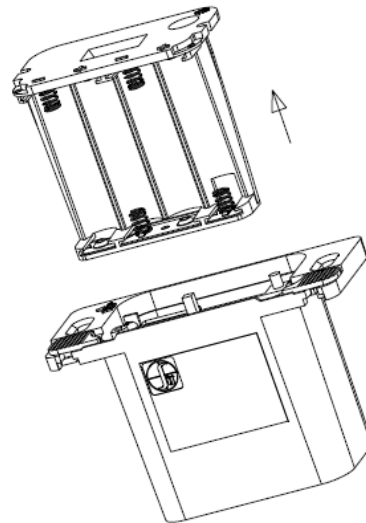


The battery compartment will be pushed out slightly, to allow to easily extract it

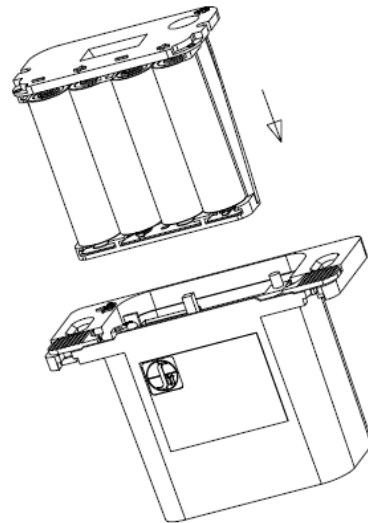


STEP 2

Extract the battery compartment from the remote receiver/battery holder

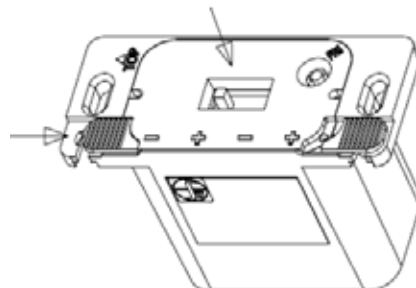


Replace 4 x AA batteries and insert the battery compartment back into remote receiver/battery holder

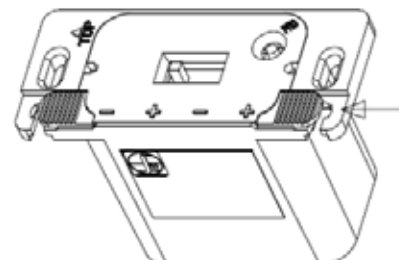


STEP 3

Keeping the battery compartment pressed in, close the left slide



Close the right slide



STEP 4 Reinstall wall cover plate with 2 Phillips head screws.

Operating Procedure for Remote Control

Functionality of the Receiver

The receiver is supplied by four AA batteries (see Fig. 3). The receiver accepts commands via radio signals sent from the transmitter. The receiver sends commands by the wire harness to the multifunctional gas control. When the system is turned on, an acoustic signal (beep) is generated to indicate that the receiver is ready to receive commands from the remote control.

Turn on the Appliance

When the ON/OFF key is pressed, the LED on the transmitter illuminates and the remote control is switched on. At the same time, the receiver connects the thermopile to the gas valve millivolt coil and the appliance main burner turns on in the high position. A single acoustic signal from the receiver confirms the reception of the command.

Turn Off the Appliance

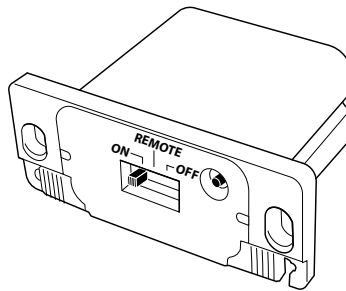
If the appliance and the remote control are switched on and the ON/OFF key is pressed, the remote control is turned off. At the same time, the receiver removes power from the gas valve millivolt coil and the appliance main burner turns off. A double acoustic signal from the receiver confirms the reception of the command.

Low Battery Detection (Receiver)

The duration of the remote control batteries depends on many factors: the quality of the batteries used, the number of ignitions of the appliance, etc. If the receiver batteries are low, a triple acoustic signal is emitted by the receiver when it receives a command from the transmitter. This is an alert of a low battery condition before battery power is lost altogether. As soon as the depleted batteries are replaced, the acoustic signal from the receiver confirms the reception of the ON/OFF command from the transmitter.

Backup Function

If the batteries of the receiver are low, the appliance can be switched on manually by moving the three-position slider switch on the receiver to the ON position.



Warnings and Cautions

WARNINGS

- **Fire hazard. Can cause severe injury or death.**
- **The receiver causes the ignition of the fireplace. The fireplace can turn on suddenly. Keep away from the burner, especially when operating the BACKUP switch.**

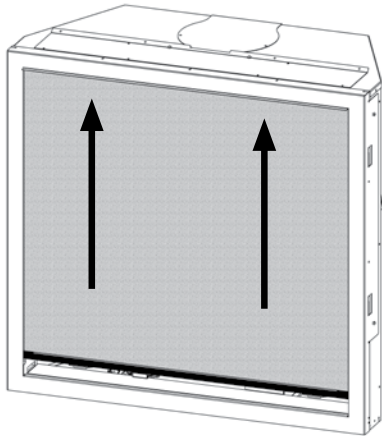
CAUTIONS

- **Property damage hazard. Excessive heat can cause property damage.**
- **The fireplace can stay ignited for many hours. Take care to turn off the fireplace if it is unattended by adults. Do not leave the remote control where children can reach it.**

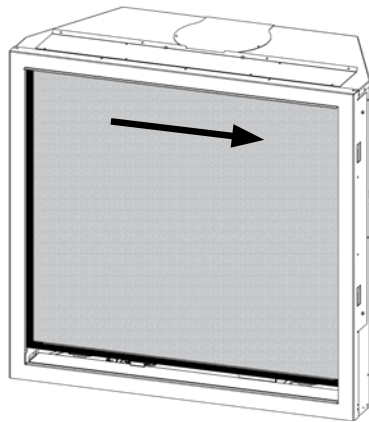
owner's information

Safety Screen Removal

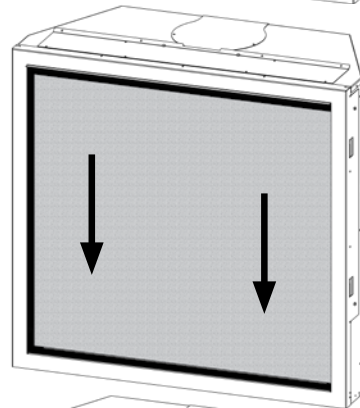
1. Slide screen up.



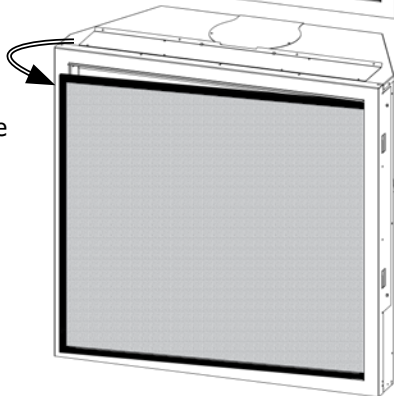
2. Slide screen right.



3. Lower screen down.



4. Swing screen outwards while keeping the screen level and remove.



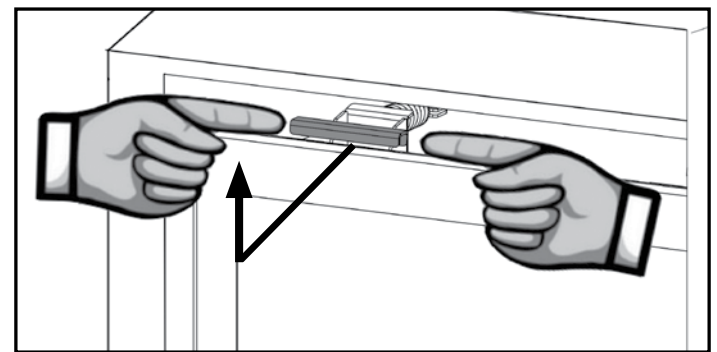
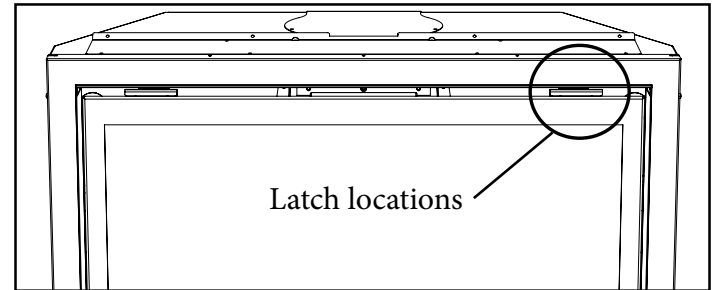
Safety Screen Installation

1. **To install the safety screen**—Reverse steps above.

Glass Door Removal

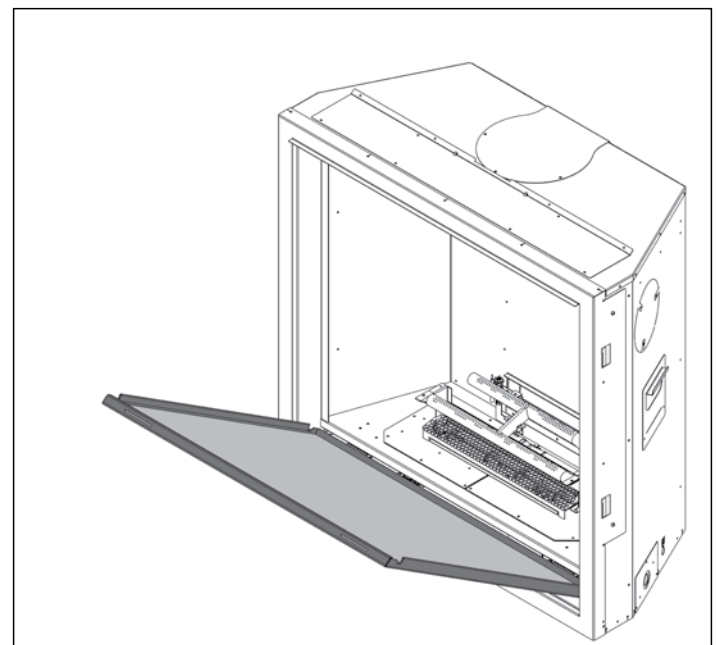
1. To remove the glass door - place both hands on either side of the latch. Pull forward then up to unlock, repeat on opposite side.

Important: After releasing the latches, support the weight of the door.



2. With both latches released, support the door with both hands and tilt out to approximately a 60 degree angle.

3. Lift the door up and out of lower slots to remove.



Glass Door Installation

1. **To install the door**—Reverse steps above.

Installation Checklist

1. Locate appliance
 - a) Room location (Refer to "Locating Your Gas fireplace" section)
 - b) Clearances to Combustibles (Refer to "Clearances" section)
 - c) Mantle Clearances (Refer to "Combustible Mantel Clearances" section)
 - d) Framing & Finishing Requirements (Refer to "Framing & Finishing" section)
 - e) Venting Requirements (Refer to "Venting" section)
2. Assemble Top Standoffs and Top Facing Support and Side Nailing Strips (Refer to "Unit Assembly Prior to Installation" Section). NOTE: Must be done before installing unit into place.

IMPORTANT: If installing the fan kit or changing this from top vent to rear vent, this must be completed prior to installing the appliance into the framed opening.

3. Install vent (Refer to "Venting" sections).
4. Make gas connections. Test the pilot. Must be as per Diagram (Refer to "Pilot Adjustment" section).

Convert to propane if desired (Refer to "Gas Line Installation" and "Conversion Kit from NG to LPG" sections).

5. Make electrical connections to receptacle supplied with unit (recommended).
6. Install standard and optional features. Refer to the following sections:
 - a. Standard Glass Door
 - b. Top to rear vent conversion
 - c. Coolwall conversion
 - d. Fan Installation (Optional)
 - e. Nailing flange installation
 - f. Electrical access/120 volt power installation by others
 - g. Wall Mount On/Off Switch + Receiver Installation
 - h. Coolwall Clearances/Framing/Finishing
 - i. Clean Front Clearance/ Framing/Finishing
 - j. Outside Finish Clearance/ Framing/Finishing
 - k. LP Conversion (optional)
 - l. Inner Panels or Brick Panels (Must install one of the options)
 - m. Log Set Installation
 - OR
 - n. Crystal Media Tray
 - o. HeatWave Kit

7. Final check.

This includes:

1. Clocking the appliance to ensure the correct firing rate (rate noted on label 27,000 Btu/h (7.91 kWh) for natural gas and propane), after burning appliance for 15 minutes.
2. If required, adjusting the primary air to ensure that the flame does not carbon. First allow the unit to burn for 15-20 min. to stabilize.

CAUTION: Any alteration to the product that causes sooting or carboning that results in damage is not the responsibility of the manufacturer.

Locating Your Gas Fireplace

1. When selecting a location for your fireplace, ensure that the clearances are met.
2. The appliance must be installed on a flat, solid, continuous surface For example a wood, metal or concrete floor or in a raised (on the wall) application. The appliance must be installed on a metal or wood panel extending the full width and depth of the appliance.
3. The G600C Gas Fireplace can be installed in a recessed position or framed out into the room as in A, B, C and D. See Diagram 1.

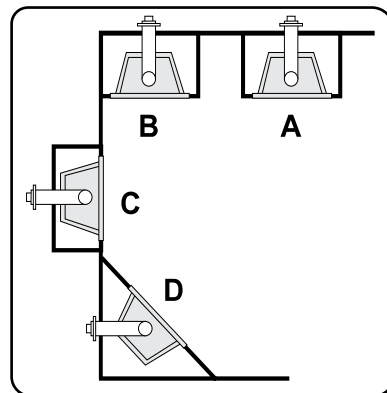


Diagram 1

- A) Flat on Wall
- B) Flat on Wall Corner
- C) Recessed into Wall/Alcove
- D) Corner

4. This appliance is Listed for bedroom installations using the standard Remote (millivolt thermostat system). Some areas may have further requirements, check local codes before installation.
5. The G600C Gas Fireplace are approved for alcove installations, see "Clearances" section for details.
6. We recommend that you plan your installation on paper using exact measurements for clearances and floor protection before actually installing this appliance. Have an authorized inspector, dealer, or installer review your plans before installation.



Heatwave Duct System Optional Kit

The **HeatWave** Air Duct Kit increases the effectiveness of your fireplace by dispersing warm air from the fireplace to remote locations in the same room or other rooms in your home.

Up to two kits may be installed on the fireplace.

The **HeatWave** Duct Kit has different clearance and framing requirements, check the **HeatWave** manual for details.

installation

Clearance / Framing and Venting Configurations

The G600C is designed to allow for unique installation options—depending on the desired finish. Please review the options and follow the specific clearance, framing, and finishing options for that application.

The applications are as follows:

Cool Wall Installation-Clean Front & Outside Finish: combustible materials can be installed right up to the fireplace opening with this option.

Non Combustible Installation-Clean Front & Outside Finish Applications: non-combustible required when installing materials right to the fireplace opening with this option.

See descriptive diagrams on the next page.

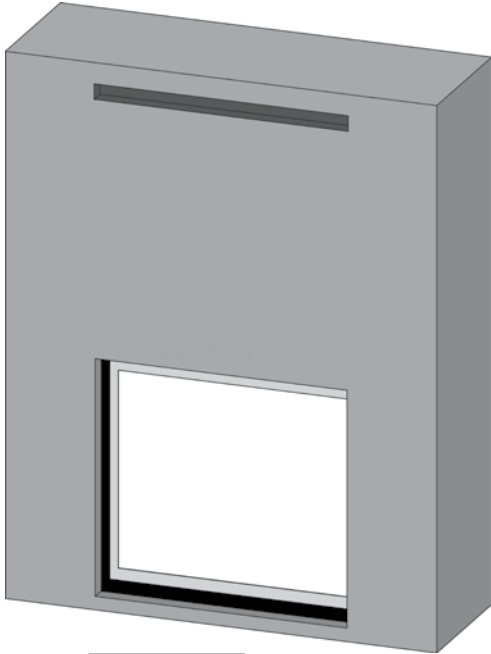
Note: The topics listed below can be found in the pages that follow.

Clearance / Framing and Venting Configurations	16
Cool Wall Installation (Combustible Finishing).....	17
Non-Combustible Installation	17
Unit Assembly Prior to Installation (Nailing Flange Installation).....	18
Nailing Flange Installation.....	19
Cool Wall Clearances	21
Cool Wall Mantel Clearances.....	22
Cool Wall Mantel Leg Clearances	22
Cool Wall Installation—Framing	23
Cool Wall Installation-Cool Wall Conversion	24
Chase Venting.....	25
Chase Vent Installation - Cool Wall (Part #776-941).....	26
Clean Front Installation (Non Cool Wall) - Clearances.....	27
Clean Front Installation (Non Cool Wall) - Mantel Clearances	28
Clean Front Installation (Non Cool Wall) - Mantel Leg Clearances.....	29
Clean Front Installation (Non Cool Wall)—Non Combustible Requirements	29
Clean Front Installation—Framing (Non Cool Wall).....	30
Clean Front Installation.....	31
Outside Finish Installation (Non Cool Wall)—Clearances	32
Outside Finish Installation (Non Cool Wall) - Mantel Clearances	33
Outside Finish Installation (Non Cool Wall)—Mantel Leg Clearances.....	33
Outside Finish Installation (Non Cool Wall)—Framing	34
Outside Finish—Finishing	35
Faceplate Installation (Part # 776-922, 776-924, 776-926).....	36
Finishing Trim Install (Part # 776-928).....	37
Wall Board/Drywall Installation.....	39
Conversion to Rear Vent	40
Vent Restrictor Installation.....	43

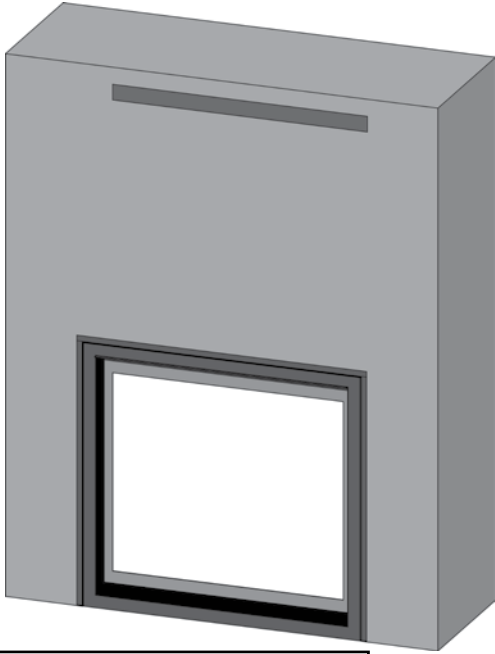
Cool Wall Installation (Combustible Finishing)

Cool Wall Install:

- Vented chase
- Combustible material can be used all around the fireplace
- Combustible framing



Clean Front

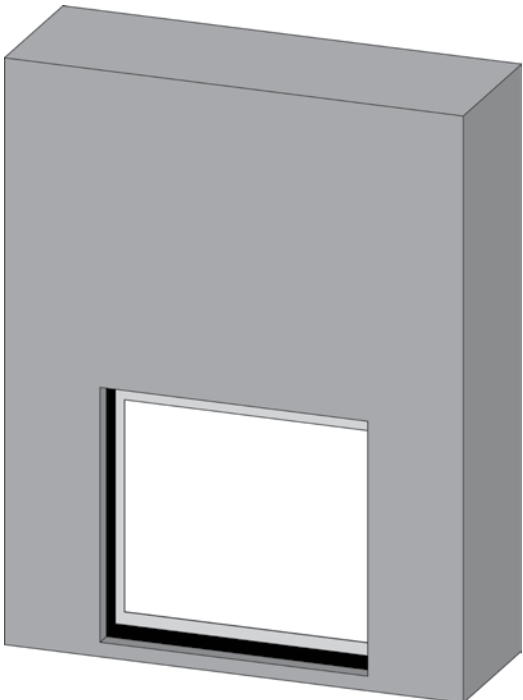


Outside Finish w/ Finishing Trim

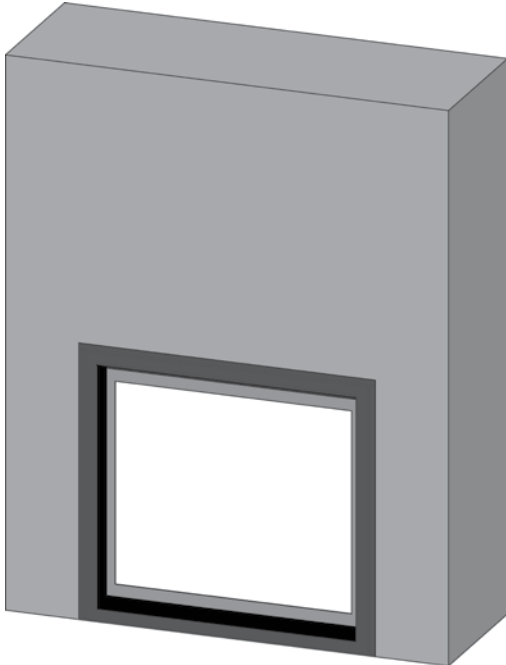
Non-Combustible Installation

Standard Install:

- Non-vented chase
- Non-combustible board required
- Combustible framing



Clean Front



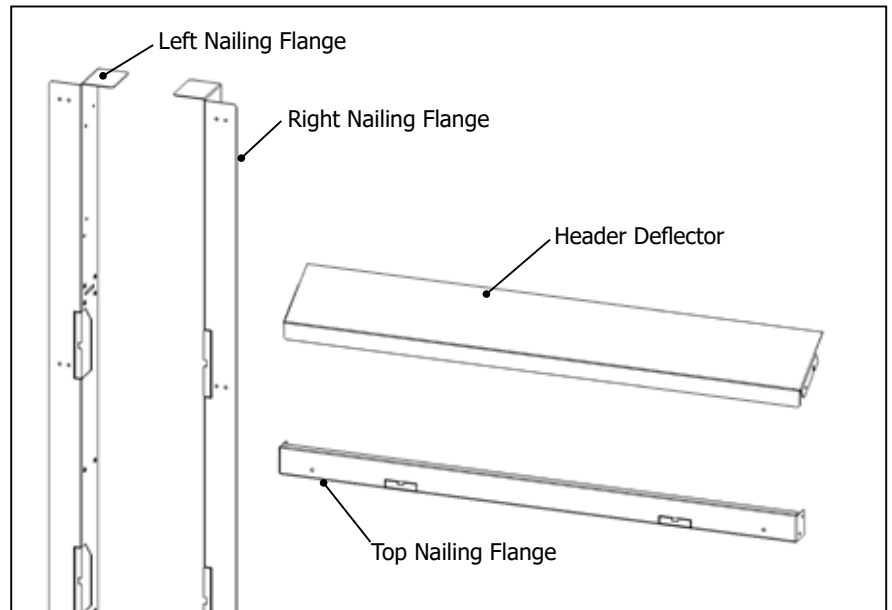
Outside Finish w/ Faceplate

installation

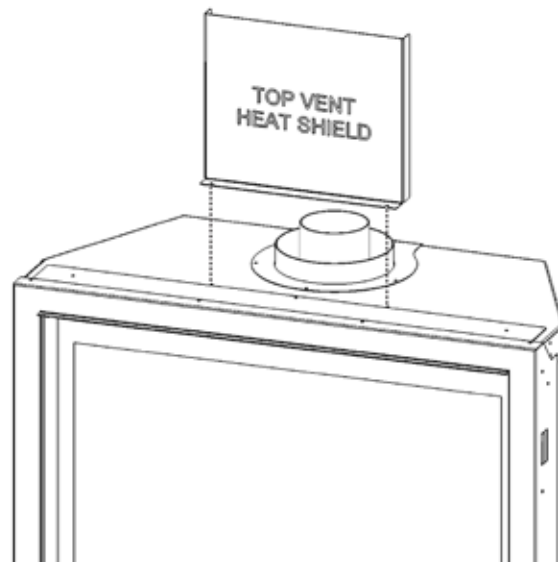
Unit Assembly Prior to Installation (Nailing Flange Installation)

After the framing has been built, the nailing Flanges will need to be set depending on the depth of finishing material being used. Up to 1-1/4" total material thickness can be used, including the backing material. The depth of finishing material can be adjusted in 1/4" increments.

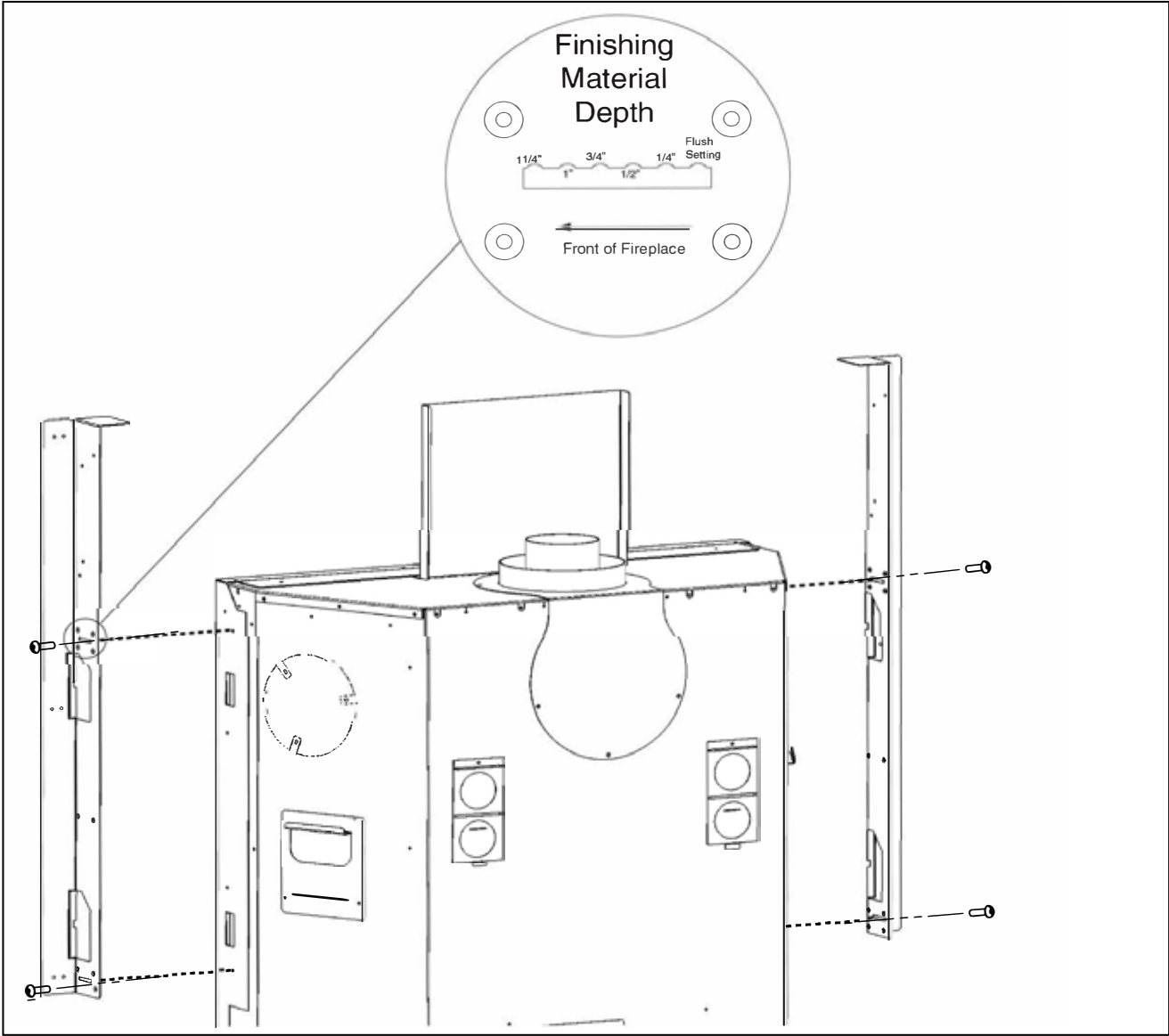
1. If venting the unit in a top vent configuration, first install the top vent heat shield with two screws, as shown.
NOTE: Only required for NON COOL WALL applications. The top vent heat shield is not required for COOL WALL applications.
2. Determine the required depth setting for the materials being used.
3. Once the setting has been chosen, install the Left and Right Nailing Flanges with 2 screws on each Flange.



Nailing Flange Parts

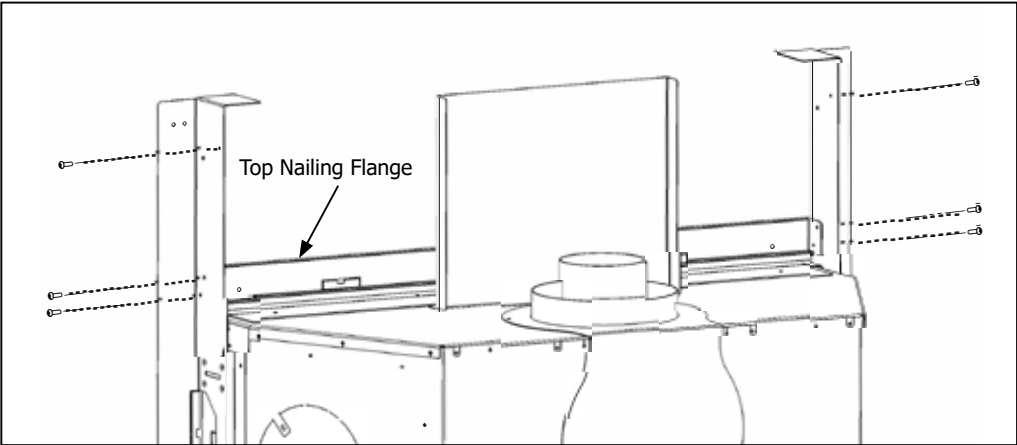


Nailing Flange Installation



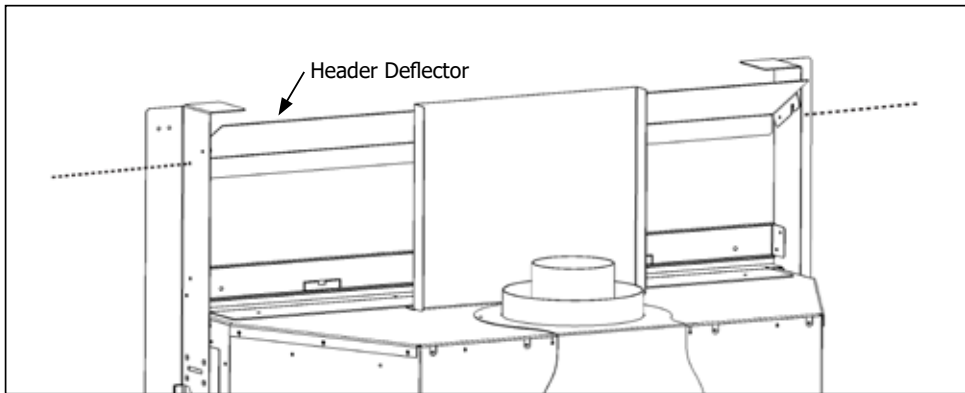
4. Screw one screw into the rear hole on each Side Nailing Flange.

5. Install the Top Nailing Flange with 4 screws.



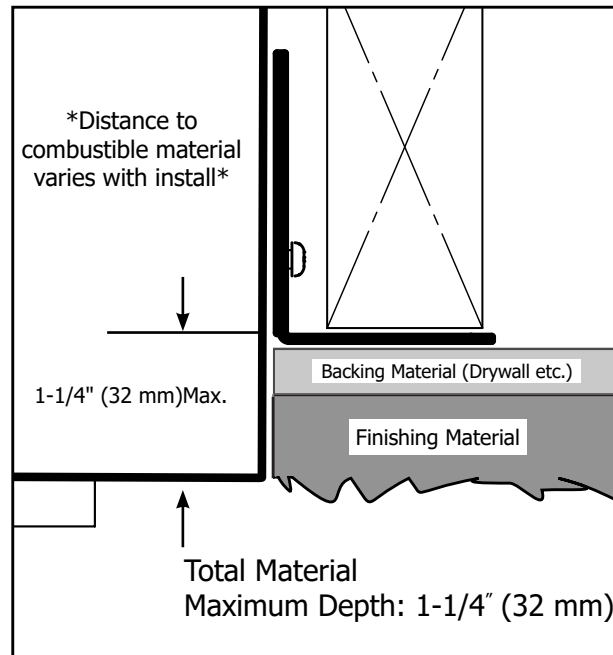
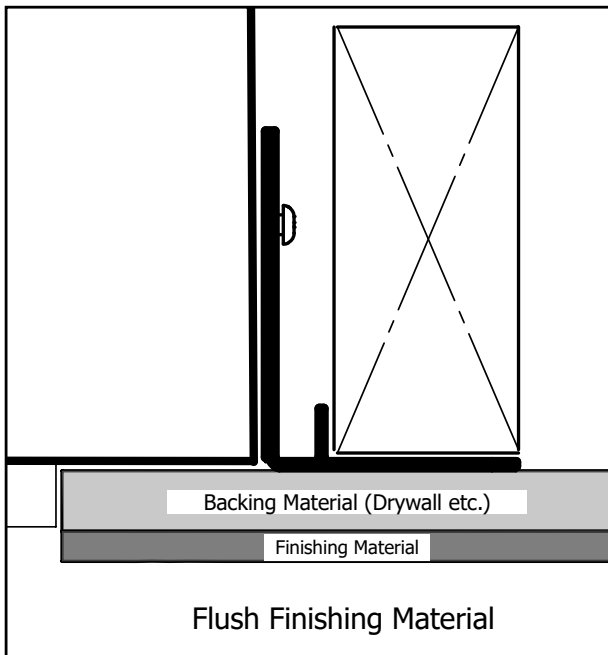
installation

6. Slot the Header Deflector onto the back screws, then secure the with a screw through the remaining front hole on each flange.



CLEAN FRONT

OUTSIDE FINISH



Cool Wall Clearances

The clearances listed below are minimum distances unless otherwise stated.

A major cause of chimney related fires is failure to maintain required clearances (air space) to combustible materials. It is of the greatest importance that this fireplace and vent system be installed only in accordance with these instructions.

Caution Requirements

The top, back and sides of the fireplace are defined by standoffs. The metal ends of the standoff may **NOT** be recessed into combustible construction.

WARNING


Fire hazard is an extreme risk
If these clearances (air space) to combustible materials are not adhered to. It is of greatest importance that this fireplace and vent system be installed only in accordance with these instructions.

G600C Clearance Requirements—Cool Wall Installations

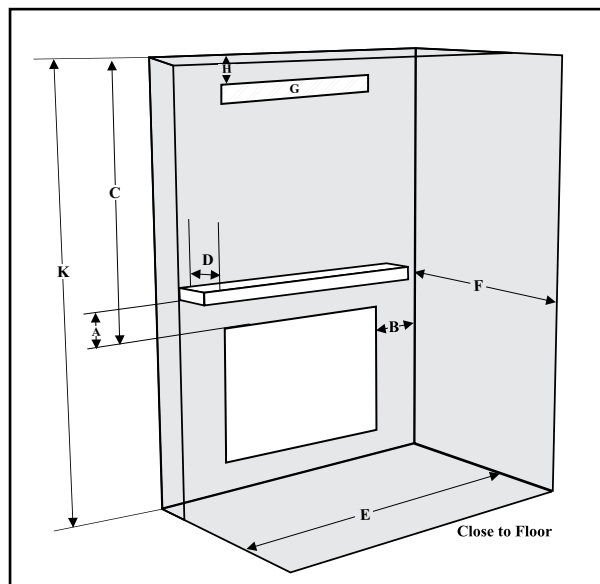
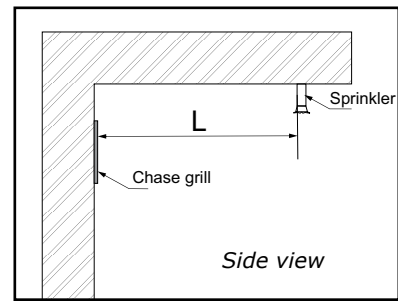
Clearance:	Cool Wall - Clean Front	Measured From:
A: Mantel Height (min.)	1" (25mm)**	Top of Fireplace Opening
B: Sidewall	6" (152mm)	Side of Fireplace Opening
C: Ceiling	44-1/4" (1124mm)	Top of Fireplace Opening
D: Mantel Depth (max.)	12" (305mm)	Front of Fireplace Opening
E: Alcove Width	84" (2134mm)	Wall to Wall (Minimum)
F: Alcove Depth	36" (914mm)	Front to Back Wall (Maximum)
G: Convection Air Outlet	58 in ² (375cm ²)*	Top/Front of Enclosure
H: Convection Air Outlet Opening Offset	0-2" (0-51mm)	*Top of Chase Enclosure
K: Chase Enclosure (Min.)	74-1/2" (1892mm)	From Base of Appliance Floor
L: Clearance to Sprinkler Head (Min.)	36" (914mm)	Perpendicular From Chase Grill
Notes:	0"	No Hearth Required

IMPORTANT - *A minimum of 58 square inches of open area, not lower than 0"-2" from top of enclosure, required for all cool wall installations — this can be achieved by having an open area in front. See manual for details.

** An extra 3/4" (19mm) of mantel height is required when using a faceplate.

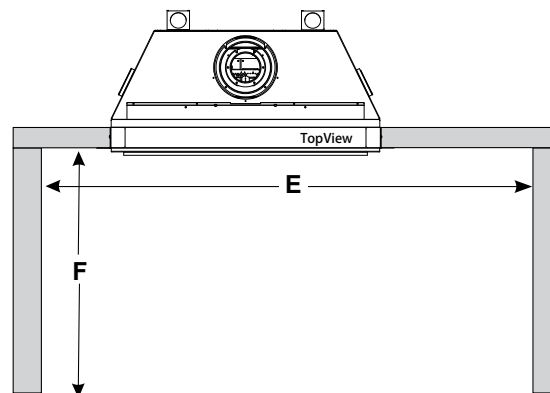


The **HeatWave** Duct Kit has different clearance and framing requirements, check the **HeatWave** manual for details.



Minimum Vent Clearances to Combustibles

Horizontal Top	2" (51mm)
Horizontal Side	1-1/2" (38mm)
Horizontal Bottom	1-1/2" (38mm)
Vertical Vent	1-1/2" (38mm)

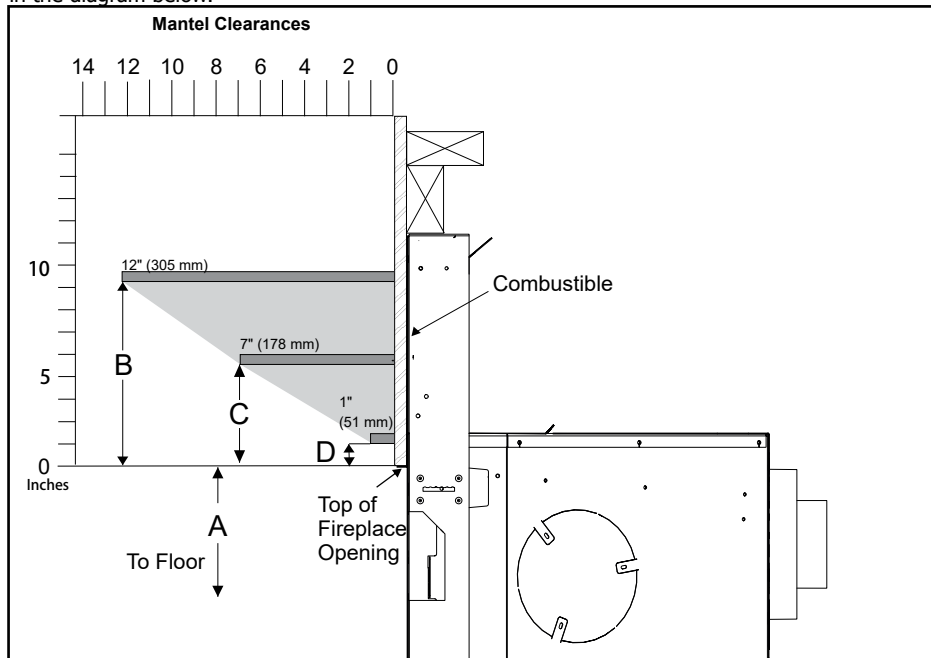


Alcove

installation

Cool Wall Mantel Clearances

Due to the extreme heat this fireplace emits, the mantel clearances are critical. Combustible mantel clearances from top of front facing are shown in the diagram below.

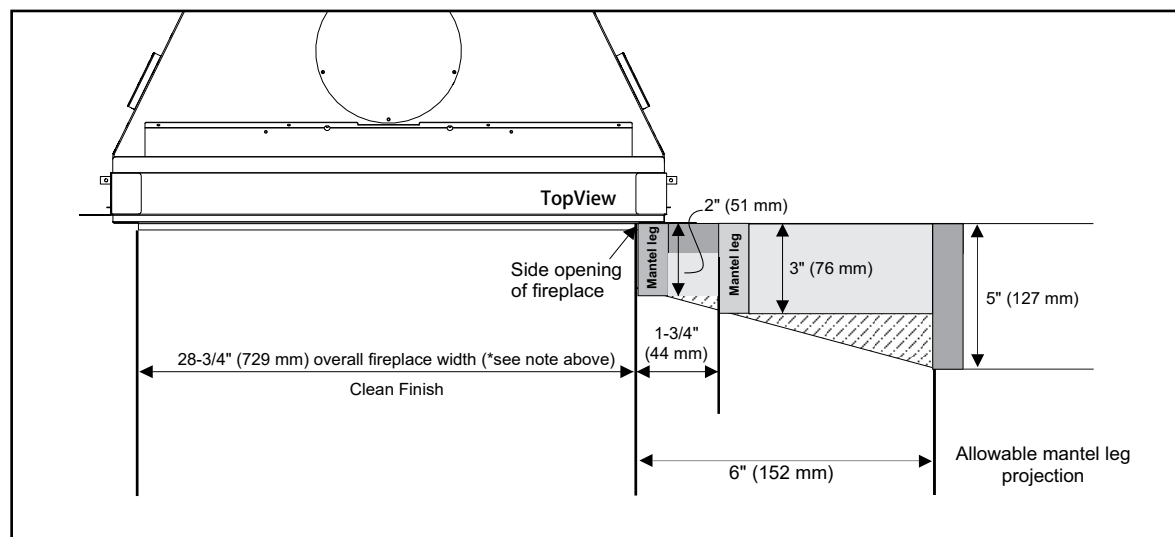


Mantel Clearances G600EC	A	B	C	D
From Top of Fireplace Opening	29 3/8" (746mm)	9-1/4" (235mm)	5-1/2" (140mm)	1" (25mm)

Note: Ensure the paint that is used on the mantel and the facing is high quality or the paint may discolour.

***Note:** When the clean-finish and optional faceplate are chosen, overall width changes from 28-3/4" (729 mm) to 33" (838 mm), and to 32" (813 mm) when the clean-finish and optional finishing trim are chosen.

Cool Wall Mantel Leg Clearances



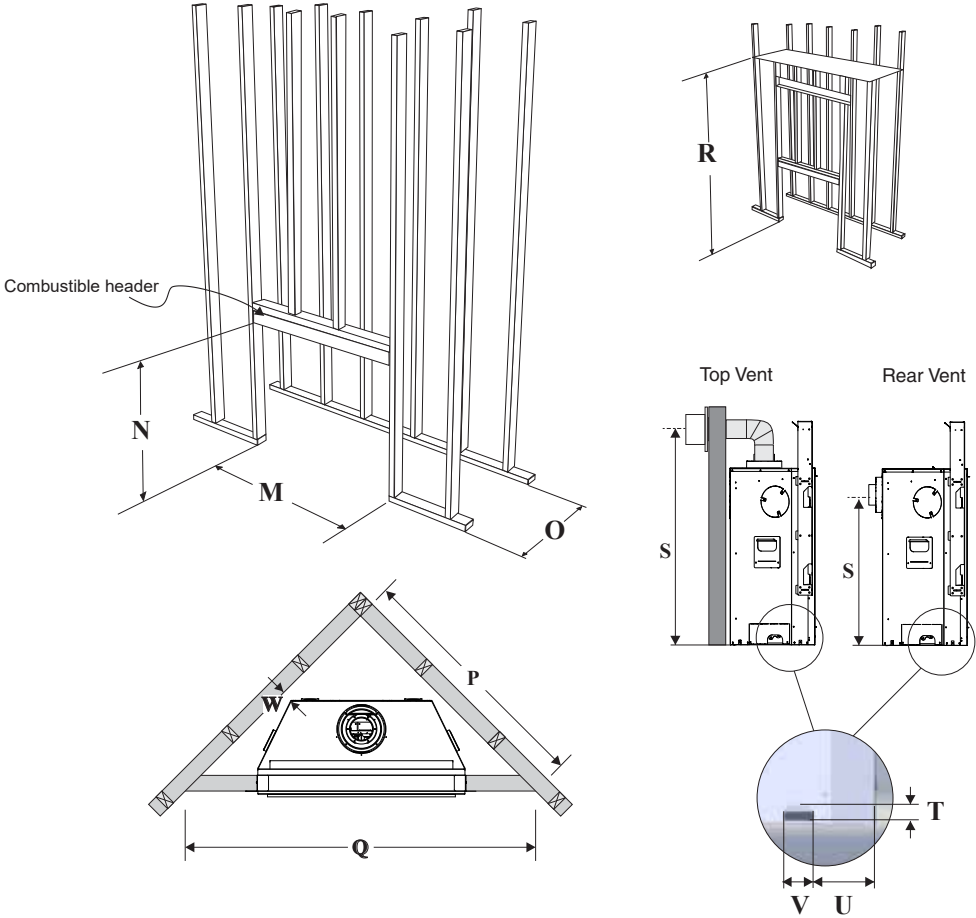
See framing dimensions on next page.

Cool Wall Installation—Framing

Framing Dimensions	Description	Cool Wall
M	Framing Width	33-1/2" (851mm)
N*	Framing Height	40" (1016mm)
O	Framing Depth	15" (381mm)
P	Corner Facing Wall Width	37-1/4" (946mm)
Q	Corner Facing Wall Width	52-1/2" (1334mm)
R	Framed Chase Ceiling Enclosure	74-1/2" (1892mm)
S (Rear Vent)	Vent Centerline Height - Rear	25" (635mm)
S (Top Vent)	Vent Centerline Height - Top	39-1/2" (1003mm)
T	Gas Connection Height	1-7/8" (48mm)
U	Gas Connection Inset	8-3/8" (213mm)
V	Gas Connection Width	3-1/2" (89mm)
W	Clearance to Corner of Unit	1/2" (13mm)

* Important: Framing height requires consideration of the hearth height. Dimension N = N + the thickness of the installed hearth.

Note: The 2 standoffs at the rear of the appliance may be removed as these are not required in this application. Ensure that any screws that are removed are reinstalled. The 2 standoffs can be recycled/discarded.



installation

Cool Wall Installation-Cool Wall Conversion

1. Remove safety screen from unit as per manual.
2. Remove the three screws from the top of the unit, holding the top cover in place.



3. Remove the top cover piece and secure it to the rear right side of the unit with one screw as shown.



4. Remove the strip of insulation.



5. Remove the three screws from the inner cover piece in the locations shown.



6. Remove the inner cover piece and secure it to the left rear side of the unit with one screw as shown.



7. Loosen the two outermost screws which are accessed through the holes in the locations show below. NOTE: Do not remove these two screws; loosen them.



8. Reach underneath the top of the unit and locate the lower sliding portion of the cool wall assembly. Push this piece toward the back of the unit as far as it will go to open the cool wall air channel.



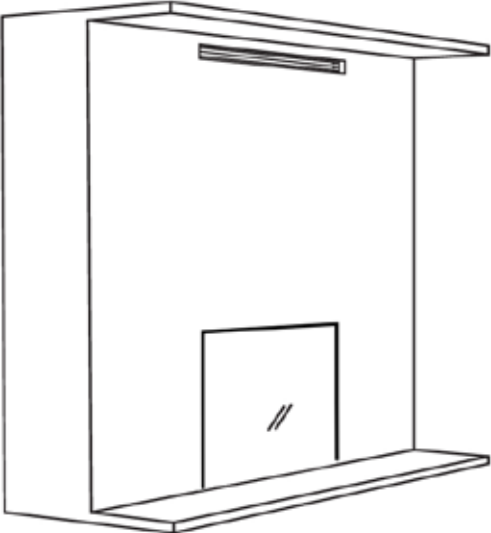
9. Tighten the two outer screws that were loosened to secure the sliding piece in place.

Chase Venting

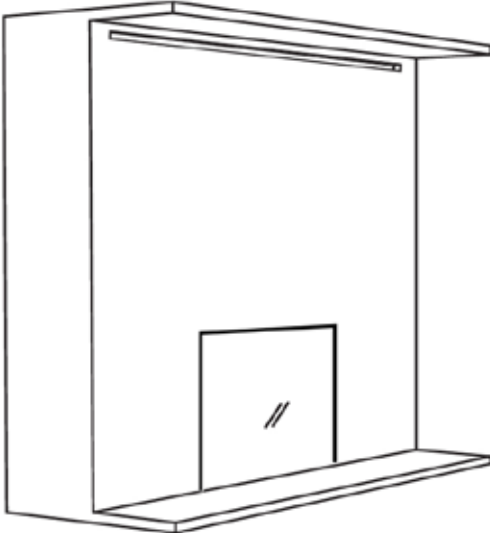
Note: The enclosure opening cannot be any lower than 0-2" (0-51mm) from the top of the enclosure for all installations. Minimum height of enclosure from base of appliance is 74-1/2" (1892mm).

A minimum 58in² opening in the enclosure is required to maintain safe operating temperatures. This can be achieved in a number of ways including the examples shown below.

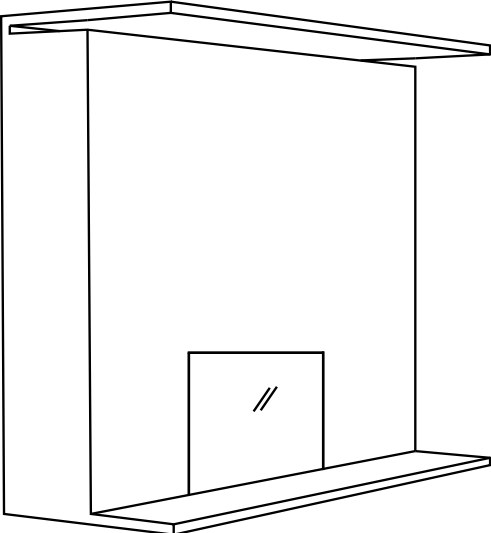
Warning: DO NOT cover or place objects in front of the air outlets.



Regency Chase Vent



Custom Chase Vent



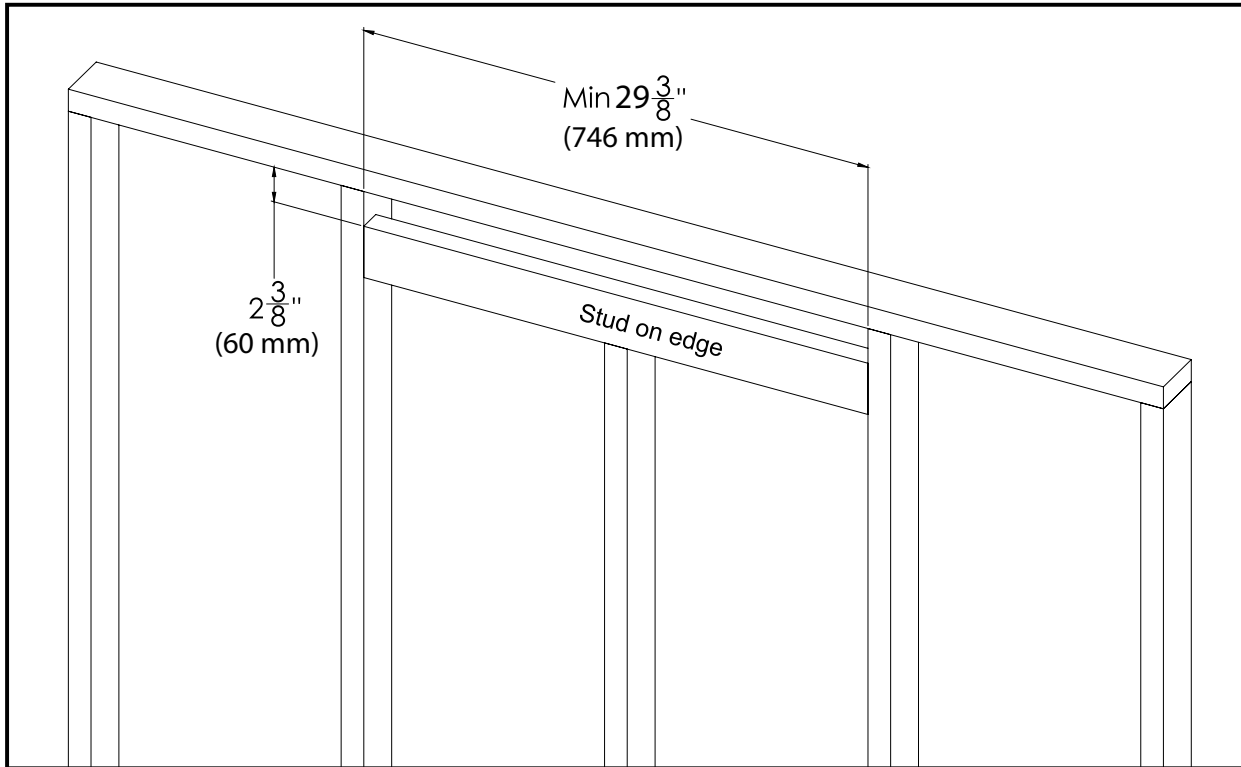
Reveal at the Chase Top

installation

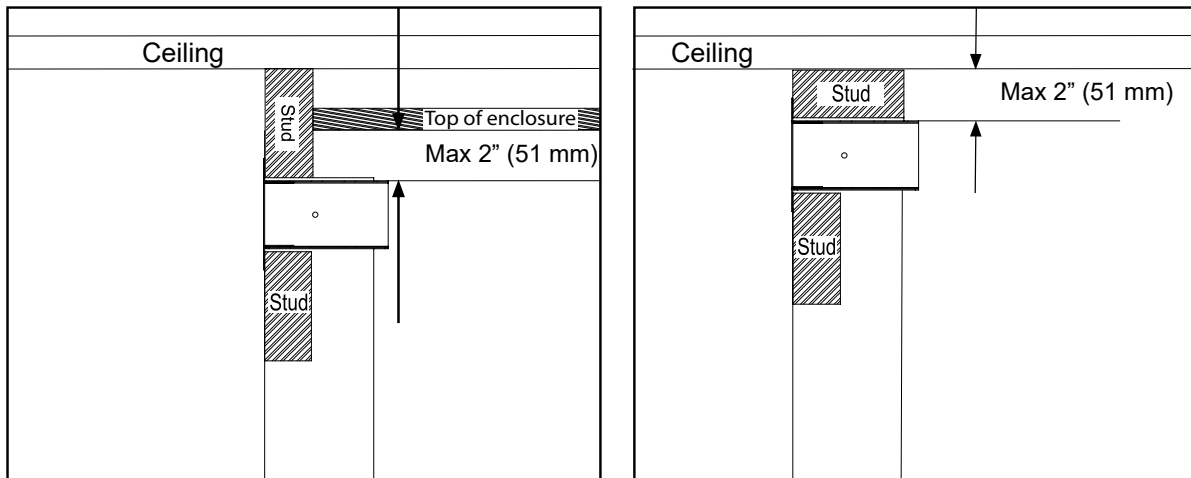
Chase Vent Installation - Cool Wall (Part #776-941)

Framed opening must be at least $2\frac{3}{8}$ " (60 mm) tall, and at least $29\frac{3}{8}$ " (746 mm) wide to accommodate the chase vent. The top of the chase vent opening must be 2 " (51 mm) or less from the top of the chase enclosure. Fasten the chase vent with screws and construction adhesive.

If the chase vent is not being used, a minimum 58 in^2 (374 cm^2) opening in the enclosure is required to maintain safe operating temperatures. This can be achieved in a number of ways including a reveal at the top of the chase.



Side View



Clean Front Installation (Non Cool Wall) - Clearances


The clearances listed below are minimum distances unless otherwise stated.

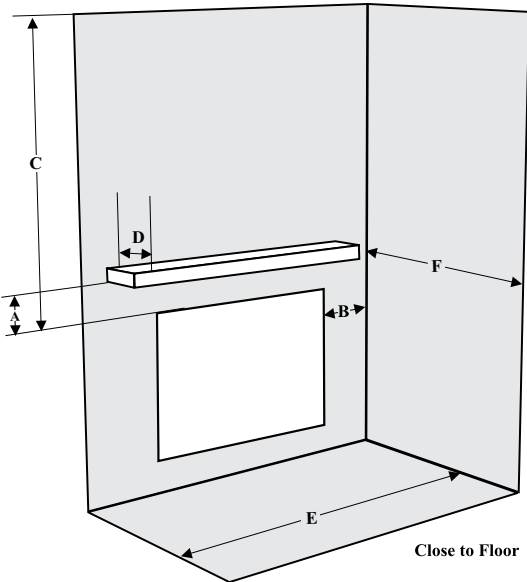
A major cause of chimney related fires is failure to maintain required clearances (air space) to combustible materials. It is of the greatest importance that this fireplace and vent system be installed only in accordance with these instructions.

Caution Requirements
 The top, back and sides of the fireplace are defined by standoffs. The metal ends of the standoff may **NOT** be recessed into combustible construction.

WARNING
 Fire hazard is an extreme risk if these clearances (air space) to combustible materials are not adhered to. It is of greatest importance that this fireplace and vent system be installed only in accordance with these instructions.

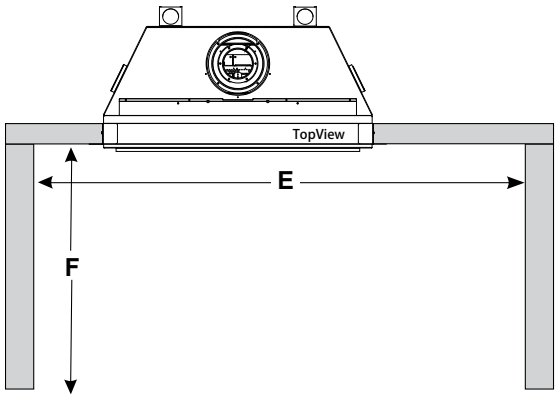
G600EC Clearance Requirements		
Clearance:	Dimension	Measured From:
A: Mantel Height (min.)	14" (356mm)	Top of Fireplace Opening
B: Sidewall	25" (635mm)	Side of Fireplace Opening
C: Ceiling	36" (914mm)	Top of Fireplace Opening
D: Mantel Depth (max.)	17" (432mm)	Front of Fireplace Opening
E: Alcove Width	84" (2134mm)	Wall to Wall (Minimum)
F: Alcove Depth	36" (914mm)	Front to Back Wall (Maximum)
Notes:	0"	No Hearth Required

 The **HeatWave** Duct Kit has different clearance and framing requirements, check the **HeatWave** manual for details.



Minimum Vent Clearances to Combustibles

Horizontal Top	2" (51mm)
Horizontal Side	1-1/2" (38mm)
Horizontal Bottom	1-1/2" (38mm)
Vertical Vent	1-1/2" (38mm)



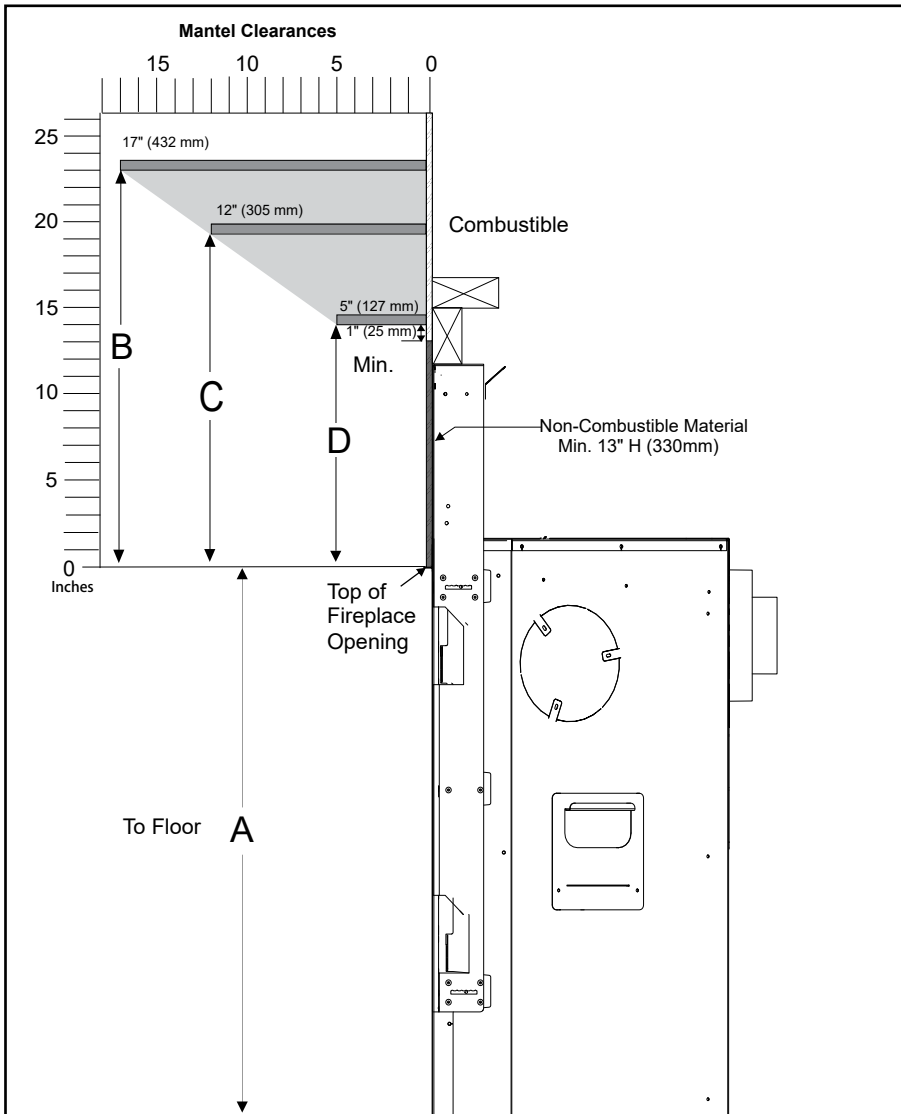
Alcove

installation

Clean Front Installation (Non Cool Wall) - Mantel Clearances

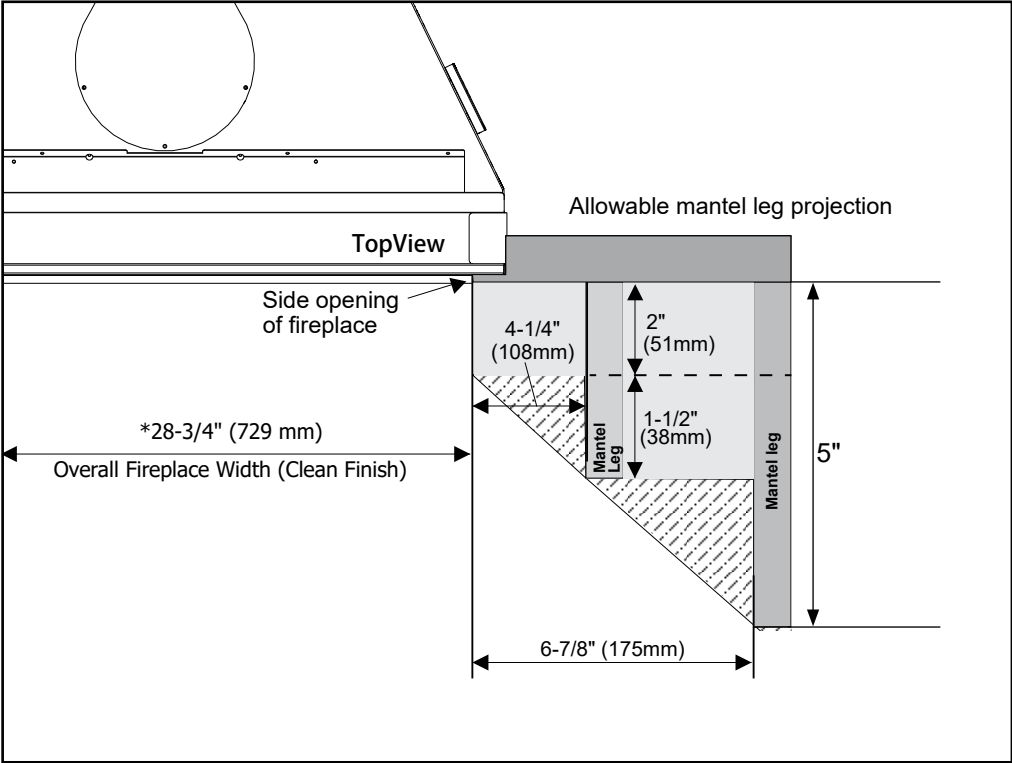
Due to the extreme heat this fireplace emits, the mantel clearances are critical. Combustible mantel clearances from top of front facing are shown in the Diagram on the right.

Note: Ensure the paint that is used on the mantel and the facing is "High Quality" or the paint may discolour.

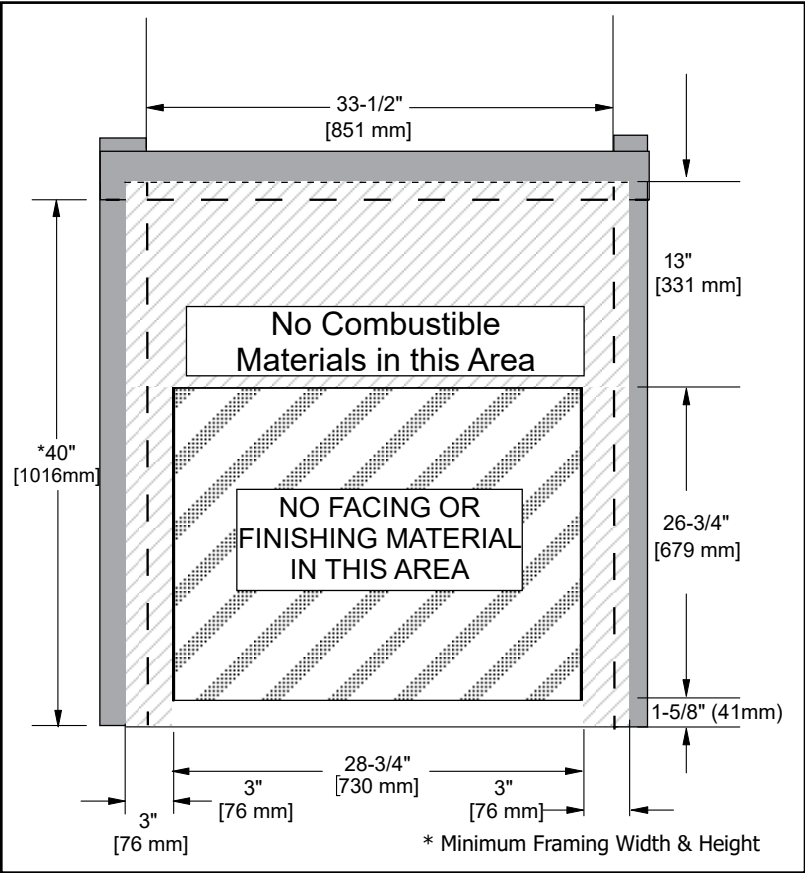


Mantel Clearances G600EC	A	B	C	D
From Top of Fireplace Opening	28-3/8" (721mm)	23" (584mm)	19-1/4" (489mm)	14" (356mm)

Clean Front Installation (Non Cool Wall) - Mantel Leg Clearances



Clean Front Installation (Non Cool Wall)—Non Combustible Requirements



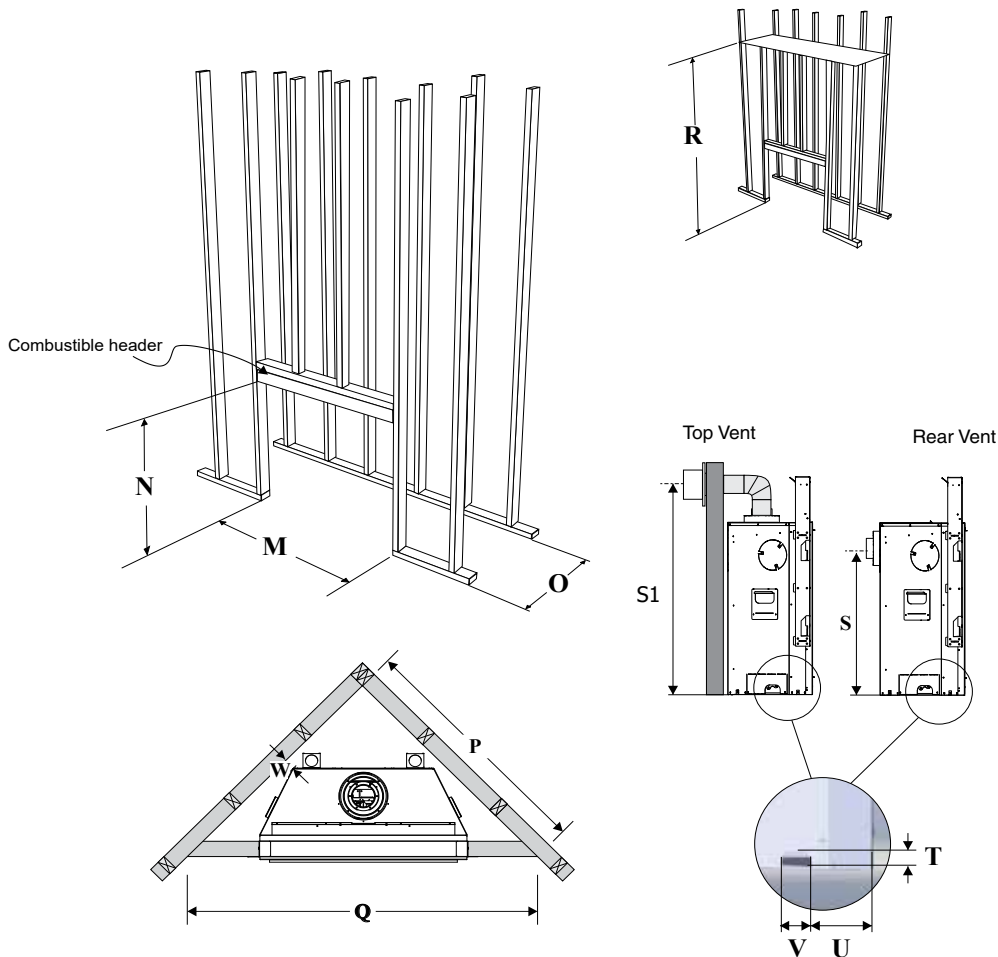
See framing dimensions on next page.

installation

Clean Front Installation—Framing (Non Cool Wall)

Framing Dimensions	Description	G600C - Non Cool Wall
M	Framing Width	33-1/2" (851mm)
N*	Framing Height	40" (1016mm)
O	Framing Depth	16-3/4" (452mm)
P (Top Vent Only)	Corner Facing Wall Width	40" (1016mm)
Q (Top Vent Only)	Corner Facing Wall Width	57" (1448mm)
R (Top Vent)	Framed Chase Ceiling	60" (1524mm)
R (Rear Vent)	Framed Chase Ceiling	43-1/2"(1105mm)
S (Rear Vent)	Vent Centerline Height - Rear	25" (635mm)
S1 (Top Vent)	Vent Centerline Height - Top	39-1/2" (1003mm)
T	Gas Connection Height	1-7/8" (48mm)
U	Gas Connection Inset	8-3/8" (213mm)
V	Gas Connection Width	3-1/2" (89mm)
W	Clearance to Corner of Unit	2" (51mm)
	**Non-combustible Facing Height	13" (330mm)

* **Important:** Framing height requires consideration of the hearth height. Dimension N = N + the thickness of the installed hearth.
 ** See previous page for details on non-combustible facing requirements above appliance.



Clean Front Installation

CLEAN FRONT TRIM INSTALL INSTRUCTIONS:

1. Install the nailing flanges, see manual for instructions.
2. Loosen the four (4) screws that secure the left and right nailing flanges to the unit.
3. Slide the left and right tiling flanges onto the front of the fireplace. Use the slots to center, with the screw securing the nailing flanges (Diagram 1).
4. Tighten screws.
5. Slide the bottom tiling flange against the bottom of the fireplace. Secure with a screw on each side.
6. Finishing material can now be pressed against the flat edge created by the clean front trim (Diagram 2).

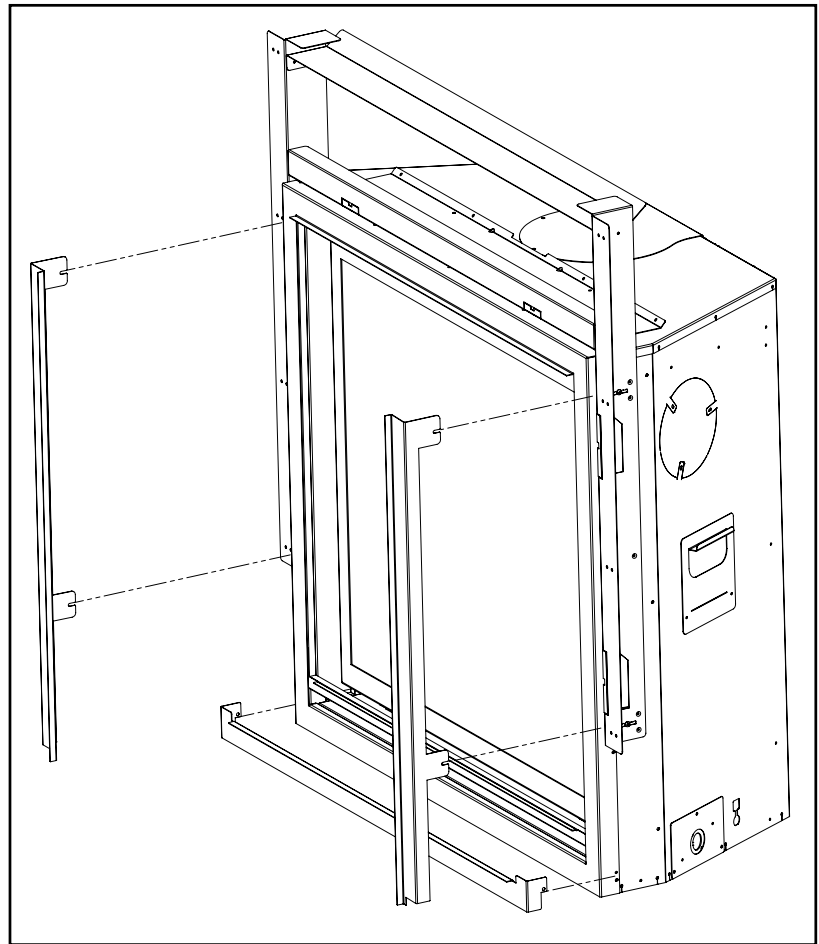


Diagram 1: Exploded View

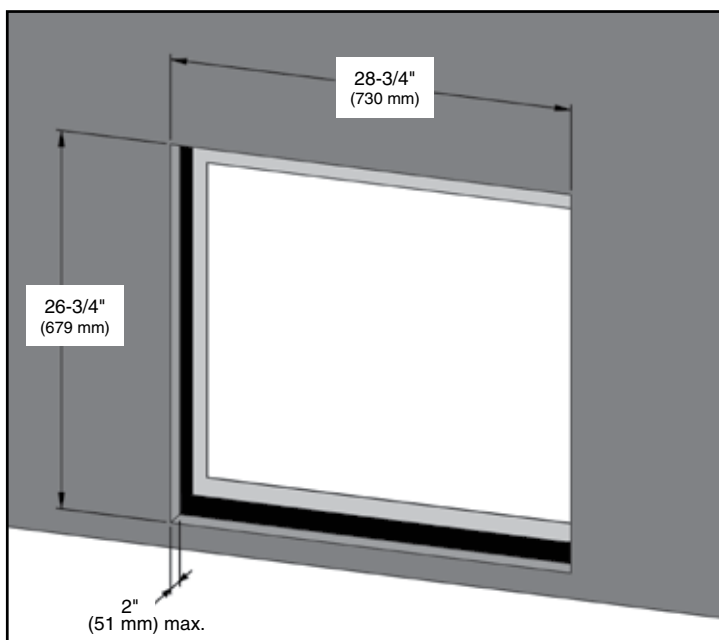


Diagram 2: Finishing Dimensions

NOTE: Do NOT finish beyond the dimensions in Diagram 2.

installation

Outside Finish Installation (Non Cool Wall)—Clearances

The clearances listed below are minimum distances unless otherwise stated.

A major cause of chimney related fires is failure to maintain required clearances (air space) to combustible materials. It is of the greatest importance that this fireplace and vent system be installed only in accordance with these instructions.


Caution Requirements

The top, back and sides of the fireplace are defined by standoffs. The metal ends of the standoff may **NOT** be recessed into combustible construction.

WARNING

Fire hazard is an extreme risk if these clearances (air space) to combustible materials are not adhered to. It is of greatest importance that this fireplace and vent system be installed only in accordance with these instructions.

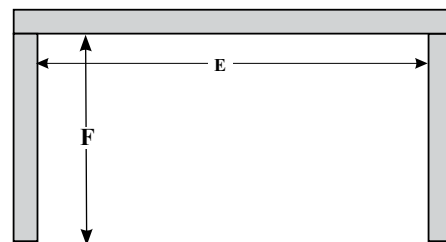
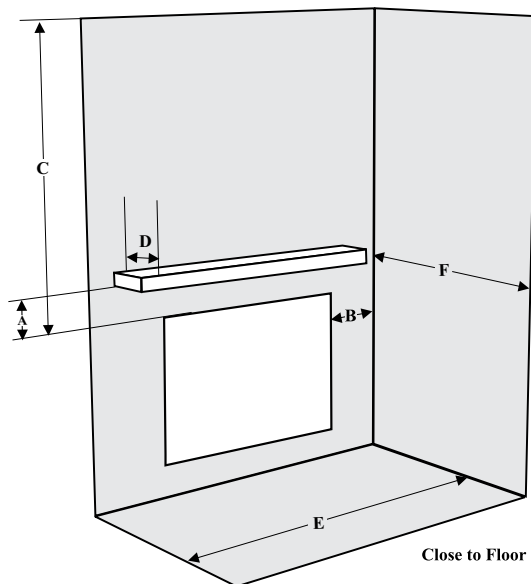
G600C Outside Finish Clearance Requirements		
Clearance:	Dimension	Measured From:
A: Mantel Height (min.)	12" (305mm)	Top of Fireplace Opening
B: Sidewall	25" (635mm)	Side of Fireplace Opening
C: Ceiling	36" (914mm)	Top of Fireplace Opening
D: Mantel Depth (max.)	17" (432mm)	Top of Fireplace Opening
E: Alcove Width	84" (2134mm)	Wall to Wall (Minimum)
F: Alcove Depth	36" (914mm)	Front to Back Wall (Maximum)
Notes:	0"	No Hearth Required



The *HeatWave* Duct Kit has different clearance and framing requirements, check the *HeatWave* manual for details.

Minimum Vent Clearances to Combustibles

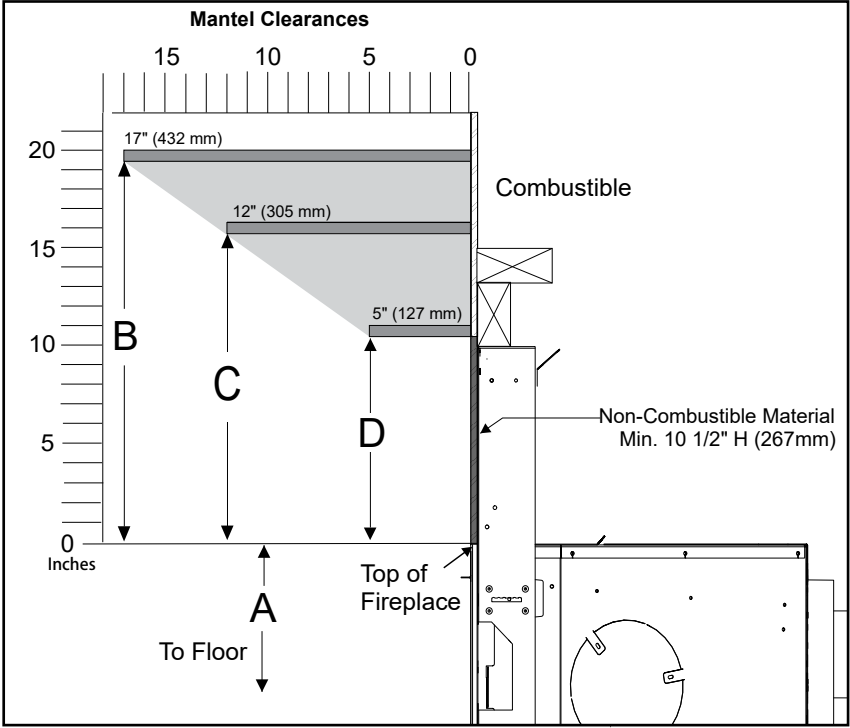
Horizontal Top	2" (51mm)
Horizontal Side	1-1/2" (38mm)
Horizontal Bottom	1-1/2" (38mm)
Vertical Vent	1-1/2" (38mm)



Alcove

Outside Finish Installation (Non Cool Wall) - Mantel Clearances

Due to the extreme heat this fireplace emits, the mantel clearances are critical. Combustible mantel clearances from top of front facing are shown in the Diagram below.

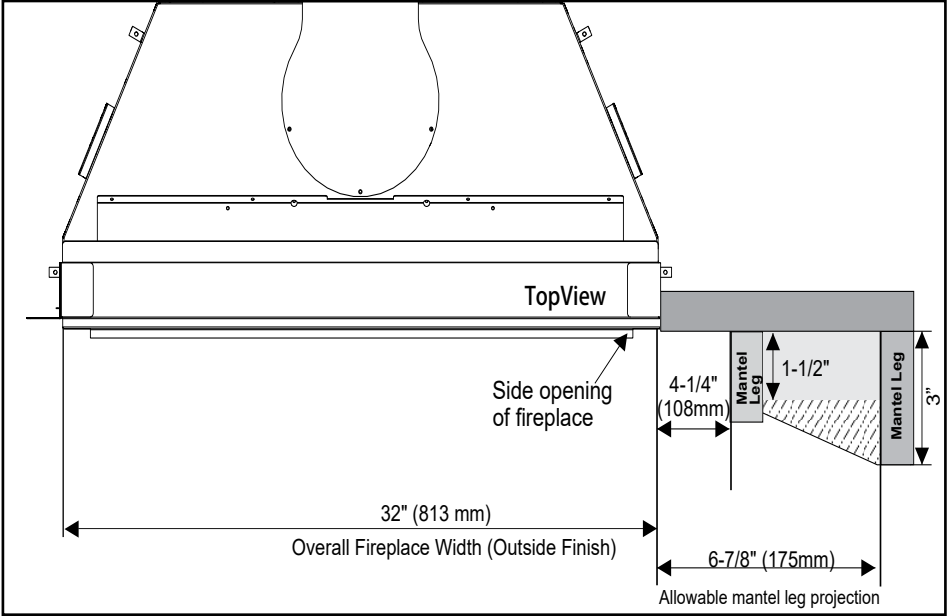


Mantel Clearances G600C	A	B	C	D
From Top of Fire-place	30" (762mm)	19-1/2" (495mm)	15-3/4" (400mm)	10-1/2" (267mm)

Note: Ensure the paint that is used on the mantel and the facing is high quality or the paint may discolour.

**The non combustible board supplied with the appliance is 13" (330 mm) high. This may be cut to size if desired.

Outside Finish Installation (Non Cool Wall)—Mantel Leg Clearances

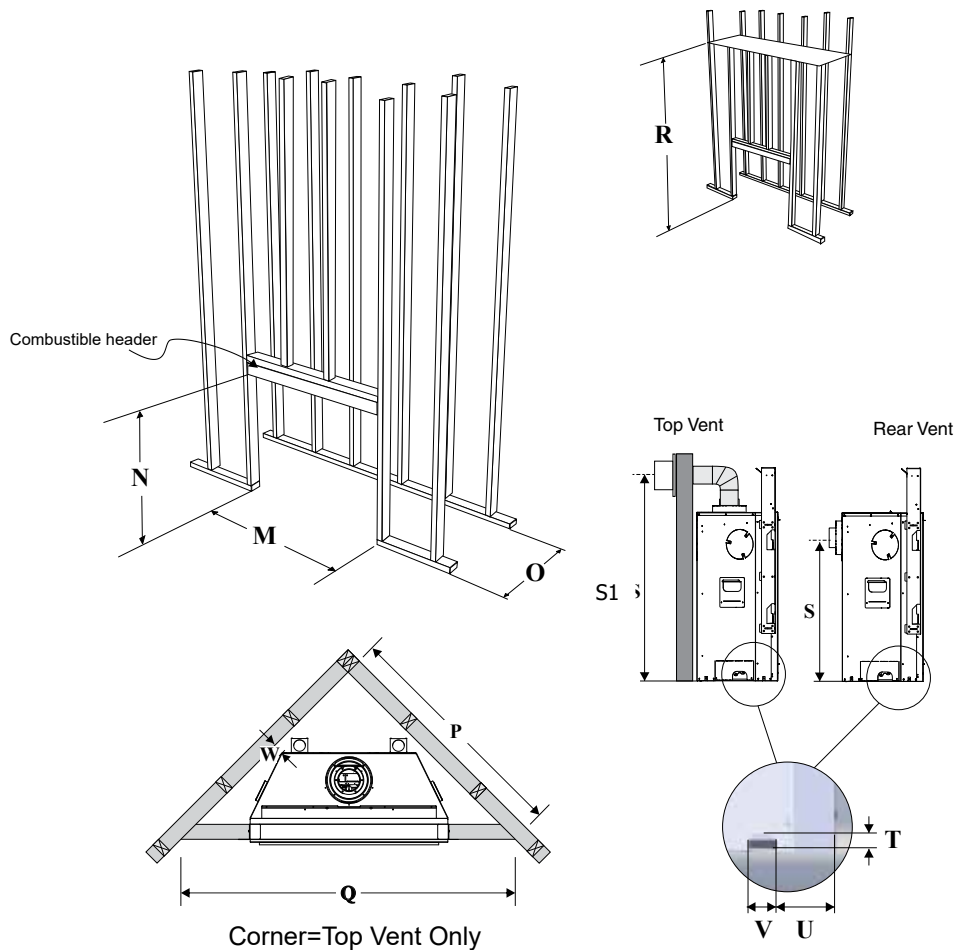


installation

Outside Finish Installation (Non Cool Wall)—Framing

Framing Dimensions	Description	Outside Finish
M	Framing Width	33-1/2" (851mm)
N*	Framing Height	40" (1016mm)
O	Framing Depth	16-3/4" (425mm)
P (Top Vent Only)	Corner Facing Wall Width	40" (1016mm)
Q (Top Vent Only)	Corner Facing Wall Width	57" (1448mm)
R (Top Vent)	Framed Chase Ceiling	60" (1524mm)
R (Rear Vent)	Framed Chase Ceiling	43-1/2" (1105mm)
S (Rear Vent)	Vent Centerline Height - Rear	25" (635mm)
S1 (Top Vent)	Vent Centerline Height - Top	39-1/2" (1003mm)
T	Gas Connection Height	1-7/8" (48mm)
U	Gas Connection Inset	8-3/8" (213mm)
V	Gas Connection Width	3-1/2" (89mm)
W	Clearance to Corner of Unit	2" (51mm)
	Non-combustible Height	10-1/2" (267mm)

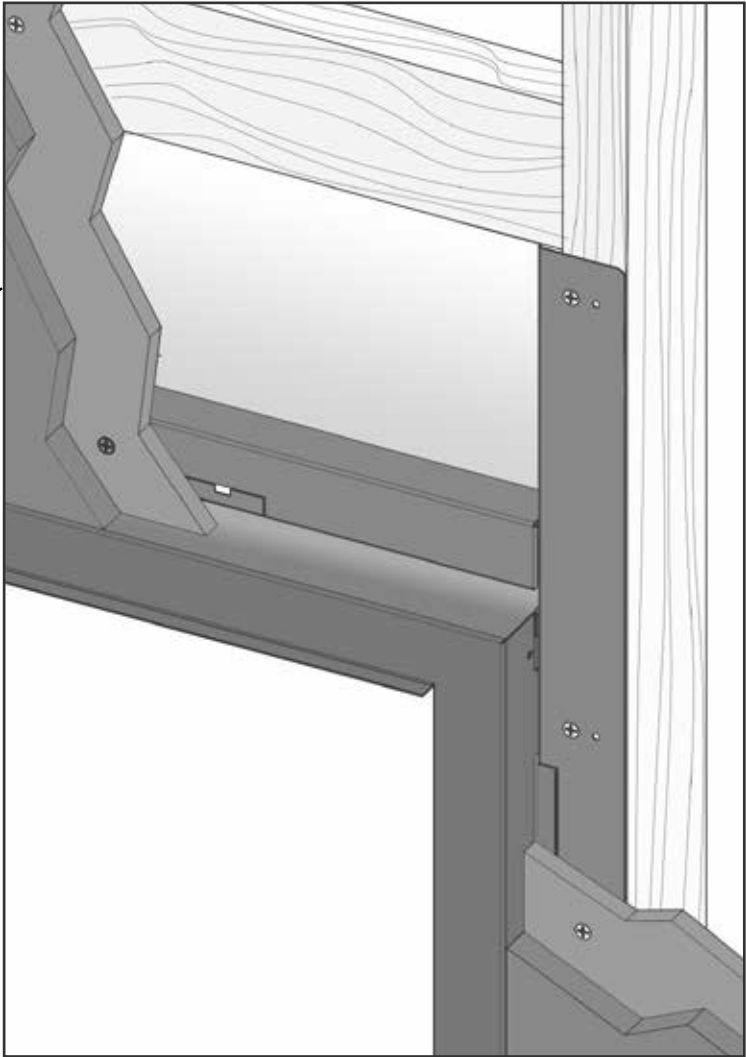
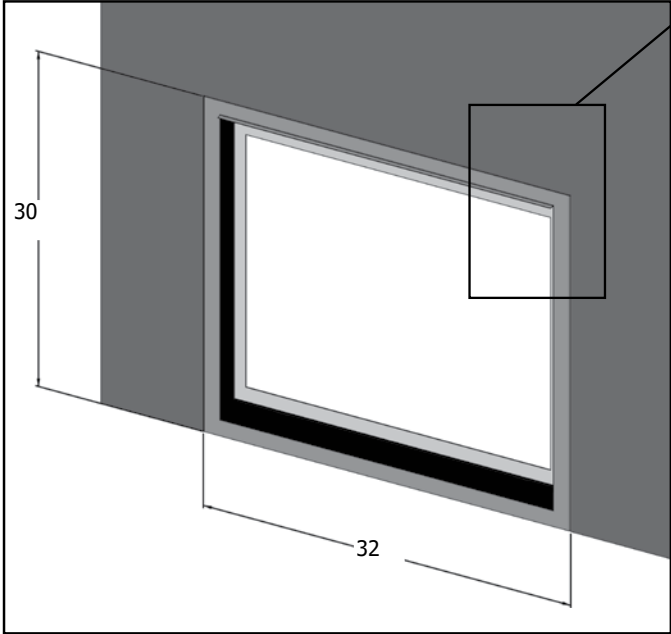
* Important: Framing height requires consideration of the hearth height. Dimension N = N + the thickness of the installed hearth.



IMPORTANT: Corner applications are vented from the top only - rear venting cannot be used.

Outside Finish—Finishing

Finishing material may be brought to the top and side edges of the fireplace, as shown below.

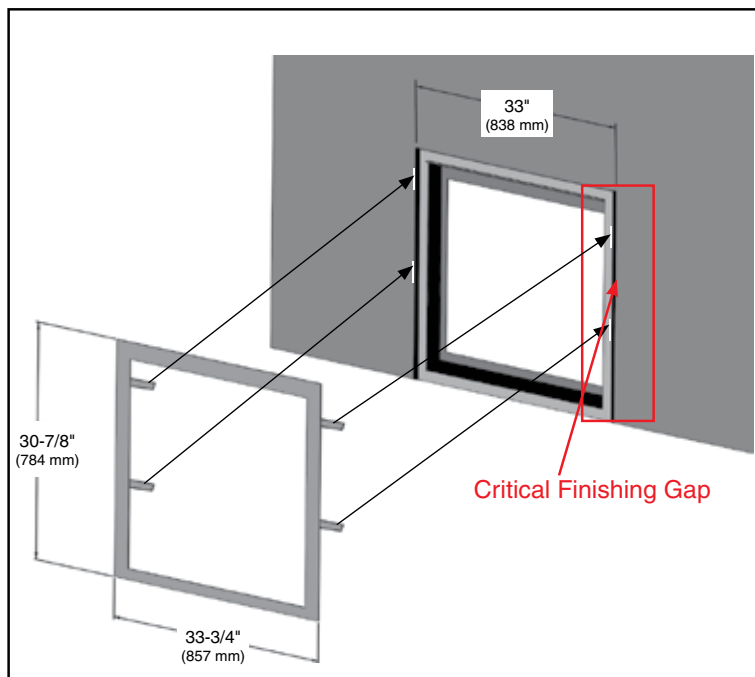
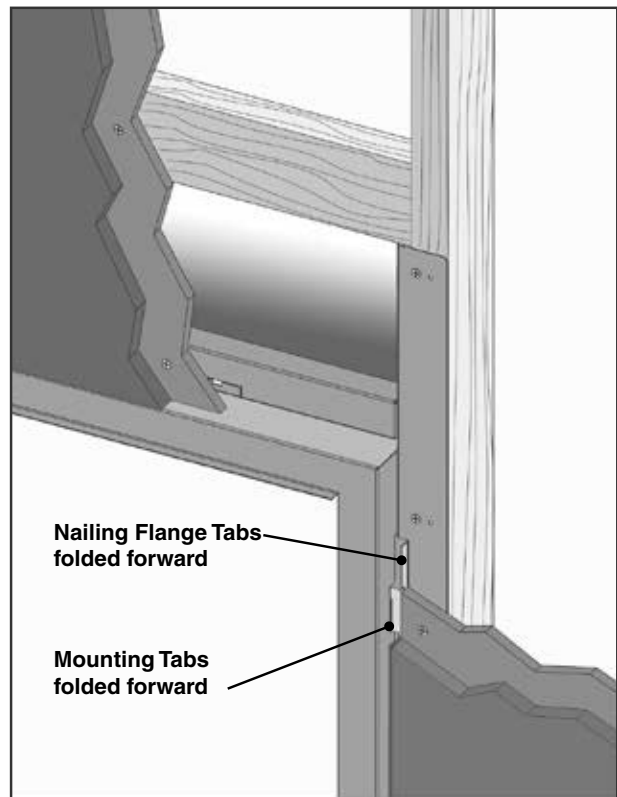
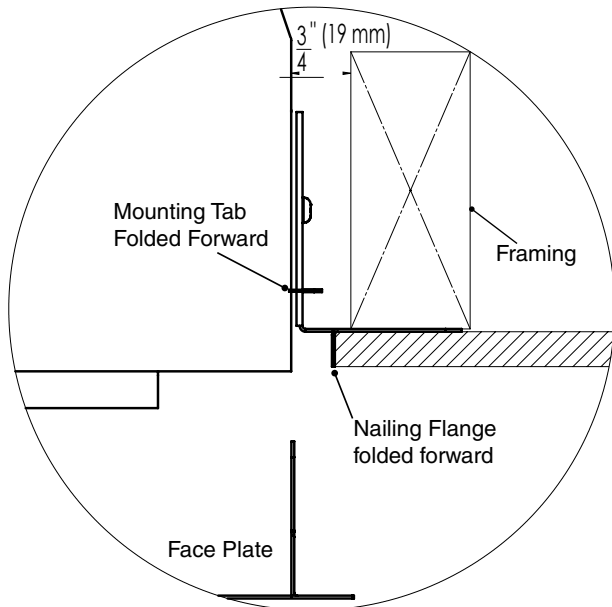


installation

Faceplate Installation (Part # 776-922, 776-924, 776-926)

A 1/2" (13 mm) gap must be maintained on the sides of the fireplace to allow the Face Plate to be installed and removed.

Do NOT finish past the front face of the fireplace.



Install the faceplate by resting the arms on the Face Plate on top of the mounting tabs.

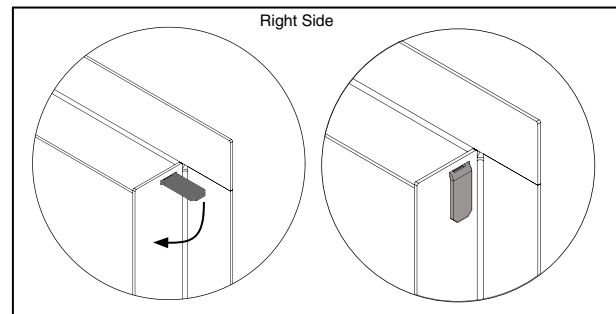
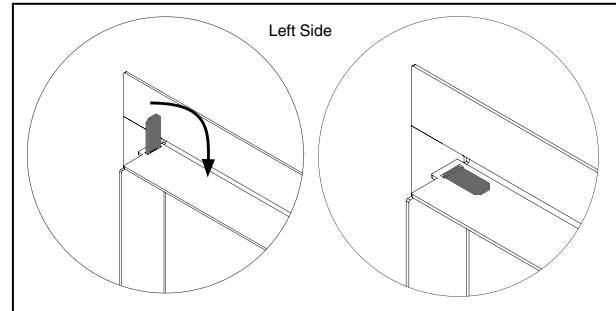
Adjust left and right to center the Face Plate.

NOTE: Do not touch the faceplate without clean, soft, gloves. Dirt or oils can be transferred onto the finish and become permanent.

Finishing Trim Install (Part # 776-928)

The finishing trim can be installed to upgrade the look of the fireplace or to cover facing material edges.

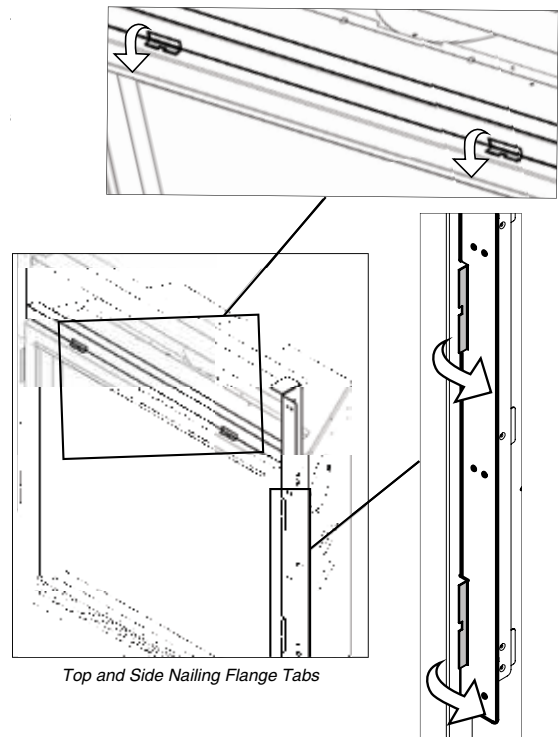
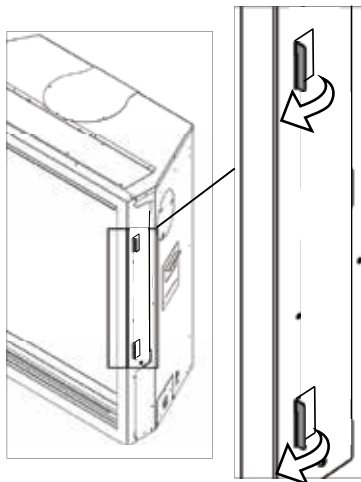
1. Lay the parts on a soft surface, painted side down.
2. Insert the tab on the left side in to the slot on the top.
3. Fold the tabs down to secure.
4. Insert the tab on the top into the slot on the right.
5. Fold the tab down to secure.



See section: Nailing Flange Install for Nailing Flange Depth Settings.

Finishing Trim Install Instructions:

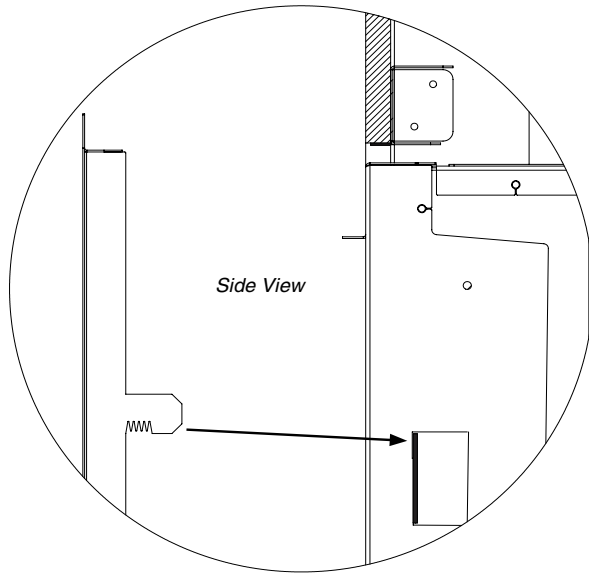
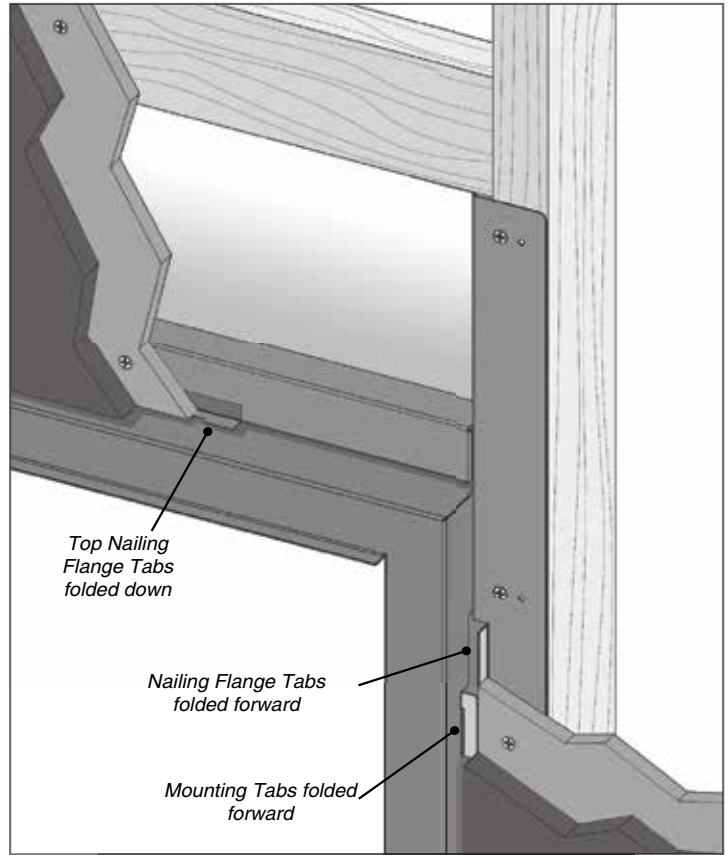
1. Bend the four tabs on the outer box front forward. There are two tabs per side. These tabs are the mounts for the faceplate or finishing trim.
2. Bend the two tabs on the top nailing flange down.
3. Bend the tabs on the left and right nailing flanges forward. There are two tabs per nailing flange.



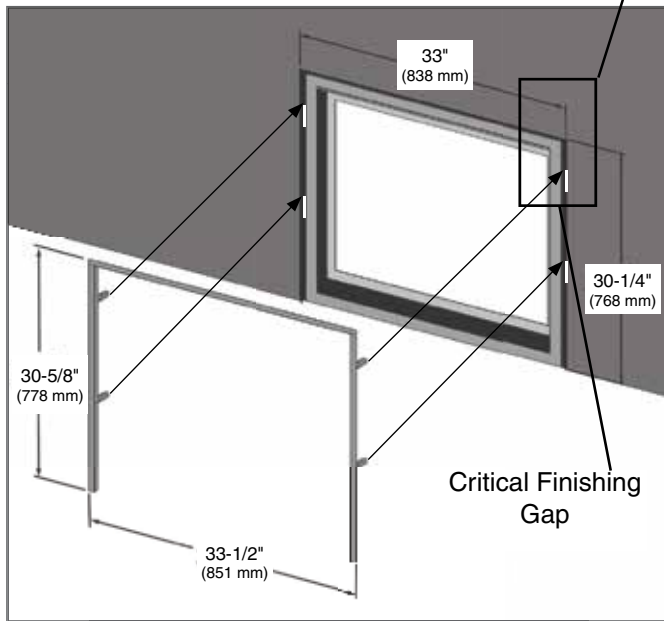
installation

A 1/2" (13 mm) gap must be maintained on the sides and top of the fireplace to allow the finishing trim to be installed and removed. The finishing trim has adjustment for material to protrude up to 1/4" (6 mm) past the front of the finishing trim.

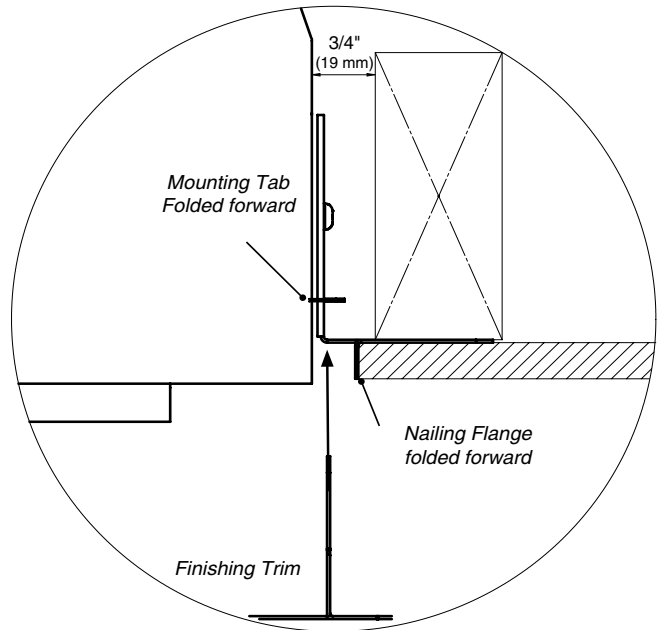
1. Install the finishing trim by resting the arms of the finishing trim on top of the mounting tabs.
2. Adjust left and right to center the finishing trim.



Top View



Critical Finishing Gap



Wall Board/Drywall Installation

WARNING! Risk of Fire! Comply with all minimum clearances to combustibles as specified.

Finishing Instructions:

It is important to follow the framing and finishing instructions to ensure proper placement of fireplace into the surrounding framing/finishing materials. Wall board materials 1/2 in. (13 mm) thick are specified in this installation manual to properly align with the optional finishing methods offered with this appliance. The G600C may be finished to the appliance opening with 1/2 inch (13 mm) thick drywall or non combustible material depending on the application and requirements. The nailing flanges allow for adjustments of up to 1-1/4" (32 mm) thickness of material.

- Ensure that the back and side clearances are maintained.

WARNING! Risk of Fire! Maintain specified air space clearances to combustibles. Inadequate air space could cause overheating and fire.

The appliance is designed to be used with 1/2 in. (13 mm) wall sheathing materials such as drywall, plywood, wood composites, or non-combustible materials. Thicker materials may be used. Refer to facing and finishing details in this manual.

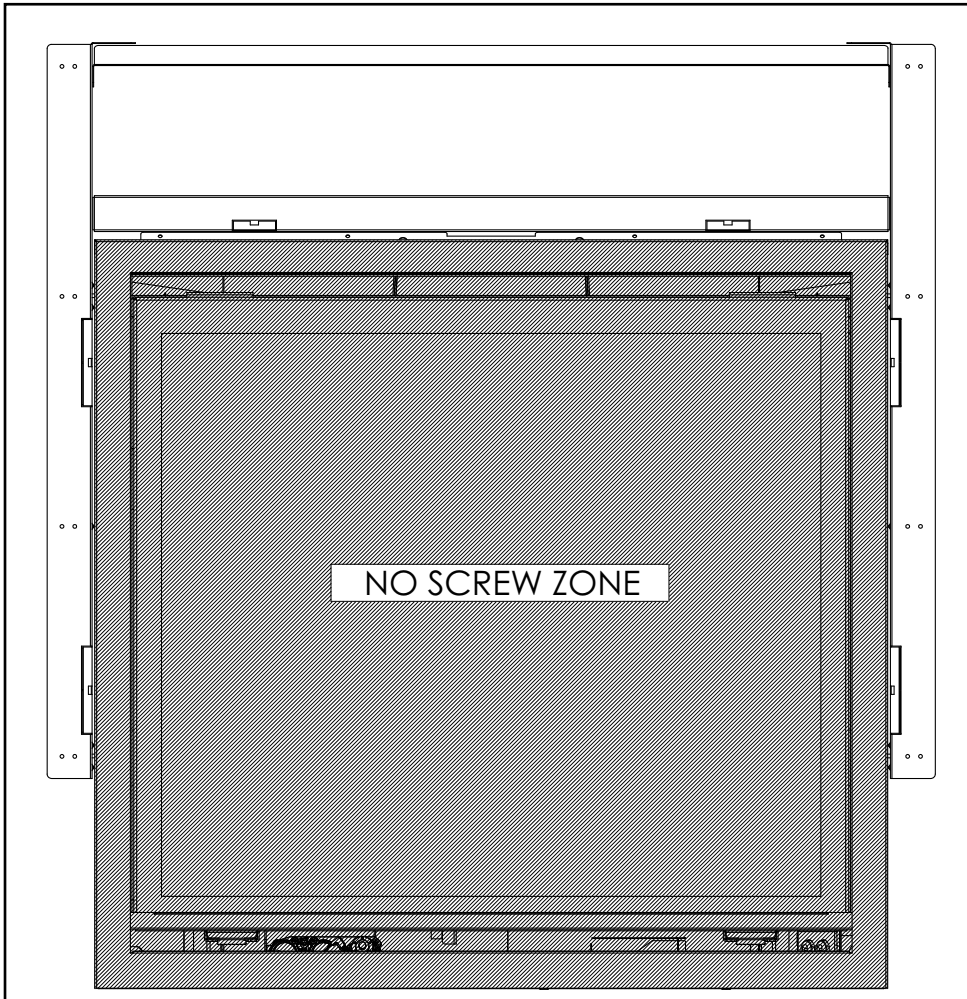
Facing Material

- Facing and/or finishing materials must never overhang into the glass opening.
- Facing materials may be combustible or non-combustible

WARNING! Risk of Fire! DO NOT apply combustible materials beyond the minimum clearances. Comply with all minimum clearances to combustibles as specified in this manual. Overlapping materials could ignite and will interfere with proper operation.

PAINTING

If desired finishing includes a painted wall, 100% acrylic latex, oil-based or standard acrylic paints may be used. Follow paint manufacturer's instructions for paint and primer application.



installation

Conversion to Rear Vent

Note: This conversion must be done prior to the unit being placed in position.

The unit comes equipped as a top vent unit. These instructions are to be used only if the unit is going to be rear vented.

1. Remove the collar trim piece from the unit by removing 6 screws.



Diagram 1

2. Remove the intake over plate from the rear by removing the top 2 screws and loosening the bottom 2 screws.



Diagram 2



Diagram 3

3. Remove the exhaust cover plate from the rear by removing the top 4 screws and loosening the bottom 2 screws.



Diagram 4



Diagram 5

4. Remove the intake collar from the top by removing 4 screws.



Diagram 6



Diagram 7

5. Remove the exhaust collar from the top by removing the front 4 screws and loosening the screws closest to the back of the unit.



Diagram 8



Diagram 9

6. Install the exhaust cover plate on top using the same screws that previously held the exhaust collar.

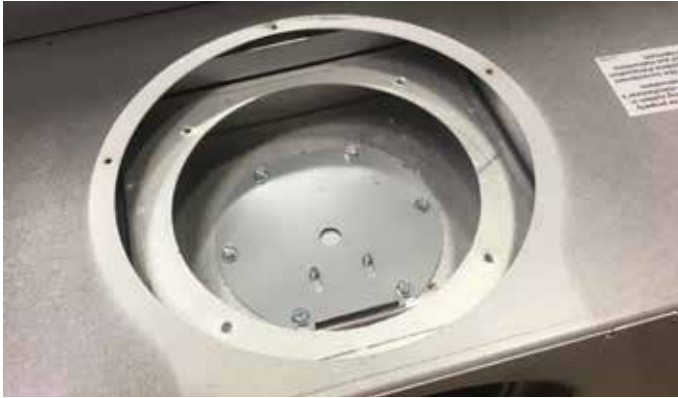


Diagram 10

8. Install the intake cover plate on top using the same screws that previously held the intake collar.



Diagram 13

7. Install the first piece of supplied insulation by inserting into the area on top of the exhaust cover plate. Position it forward so that the insulation is held in place by the bend on the exhaust cover plate.



Diagram 11

9. Install the second piece of supplied insulation by inserting into the area on top of the intake cover plate.



Diagram 14

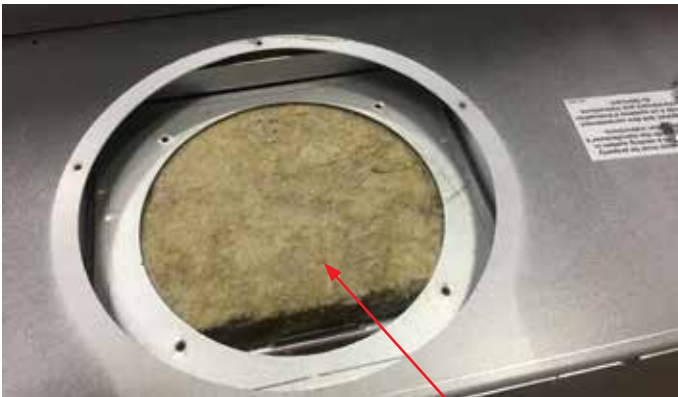


Diagram 12

Push insulation toward front of unit



Diagram 15

installation

10. Install the exhaust collar onto the rear. Hang the collar onto the 2 previously loosened bottom screws, secure in place with the 4 top screws, and then tighten the 2 bottom screws.



Diagram 16



Diagram 17

11. Install the intake collar onto the rear. Hang the collar onto the previously loosened bottom screws, secure in place with the 2 top screws, and then tighten the 2 bottom screws.



Diagram 18

12. Reinstall the collar trim piece with 6 screws.



Diagram 19

Hidden screw

Vent Restrictor Installation (Part # 776-027)

1. Determine the venting configuration.
2. Go to venting arrangements section (in the manual) to determine if a vent restrictor setting is required. (If required, proceed to Step 3).
3. Loosen the two screws that secure the top heat deflector and remove top heat deflector (diagram 1).
4. Align the vent restrictor plate (found in the manual package) to the required vent restrictor position, per the diagrams below.
5. Once the vent restrictor plate is in the required position, secure with 2 - 1/4" x 1/2" screws. Ensure all screws are tight.

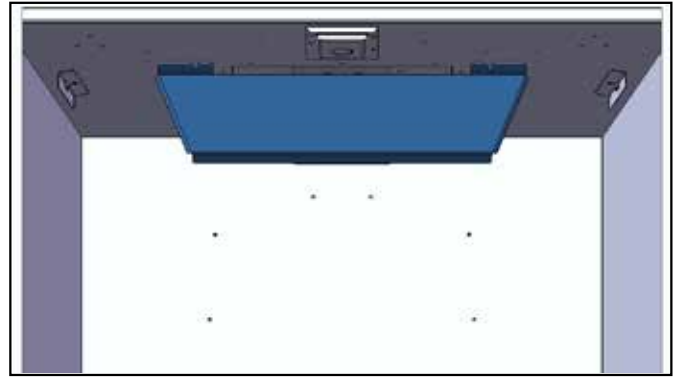


Diagram 1: Top baffle

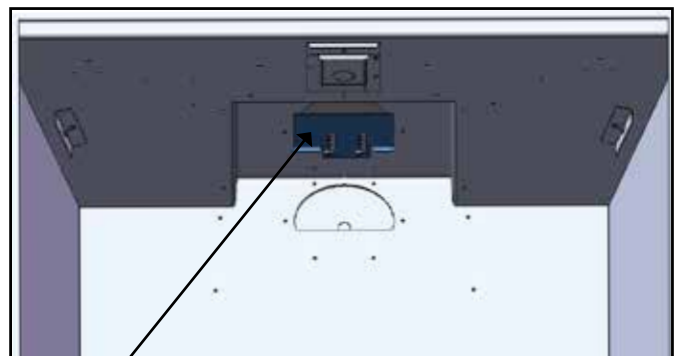
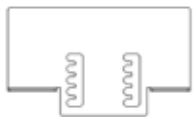
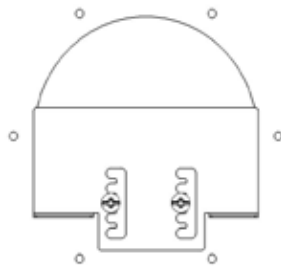


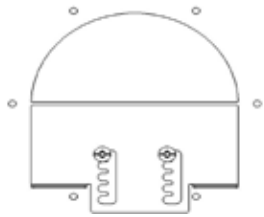
Diagram 2: Vent restrictor located on top exhaust assembly



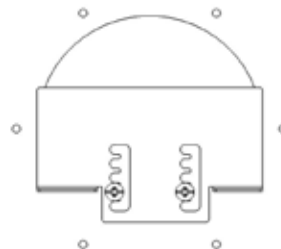
Restrictor Plate



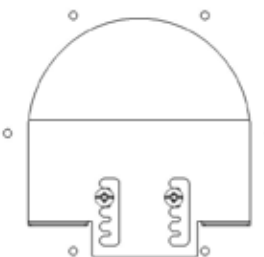
Set 3, 1-1/2" (38mm) open



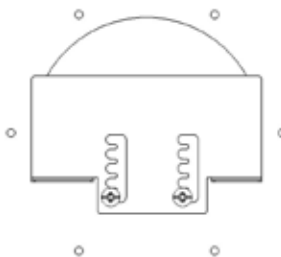
Restrictor plate for Set 1, 2" (51mm) open



Set 4, 1-1/4" (32mm) open



Set 2, 1-3/4" (44mm) open



Set 5, 1" (25mm) open

Venting Introduction

The G600C uses the "balanced flue" technology Co-Axial system. The inner liner vents products of combustion to the outside while the outer liner draws outside combustion air into the combustion chamber thereby eliminating the need to use heated room air for combustion and losing warm room air up the chimney.

Note: These flue pipes must not be connected to any other appliance.

The gas appliance and vent system must be vented directly to the outside of the building, and never be attached to a chimney serving a separate solid fuel or gas burning appliance. Each direct vent gas appliance must use its own separate vent system. Common vent systems are prohibited.

installation

Outdoor Conversion (Part #946-856)

IMPORTANT: This outdoor conversion kit is only required if the optional fan kit is purchased as the fan requires 120 volt AC power to operate. If a fan kit is not installed, disregard this page and see following 2 pages.

CAUTION: Installation of an indoor gas fireplace with an outdoor exposure is not covered under the ANSI Z21.88 - CSA 2.22 or ANSI Z21.50 - CSA 2.33 standards used to certify the indoor gas-fired fireplace. The Intertek safety certification will not apply to this installation method. This installation method must be deemed acceptable by the Authority Having Jurisdiction (AHJ) to the indoor gas fireplace being installed.

Shut off the gas supply to the unit and disconnect all electrical supply to the unit before beginning.

WARNING: This conversion kit shall be installed by a qualified service agency in accordance with the manufacturer's instructions and all applicable codes and requirements of the authority having jurisdiction. If the information in these instructions is not followed exactly, a fire, explosion or production of carbon monoxide may result causing property damage, personal injury or loss of life. The qualified service agency is responsible for the proper installation of this kit. The installation is not proper and complete until the operation of the converted appliance is checked as specified in the manufacturer's instructions supplied with the kit.

Use this manual in conjunction with the installation manual supplied with the appliance.

Install Main On/Off Switch/Battery Holder within line of sight of the fireplace. Do not install the Main ON/OFF Switch/Battery Holder in an open area exposed to direct rain. This must be located within the overhang of the weatherproof enclosure to protect it from the elements.

This is only approved for NON cool applications. COOL WALL application is not permitted when appliance is installed outdoors.

LEAVE THIS MANUAL WITH THE HOMEOWNER.

Note:

Optional finishing trims and faceplates may be used in the outdoor environment. Plated faceplates are not recommended for outdoor installation due to the high potential for oxidation to form on the surface. However, please note that some fading or corrosion will occur due to environmental exposure. This would also apply to the gas appliance. Rust/corrosion is not covered under the terms of the warranty policy.

Fan kits may be installed but are not recommended in areas where there is high humidity.

The appliance must be vented the same as if installed indoors. Follow the same guidelines/venting parameters when this is installed outdoors.

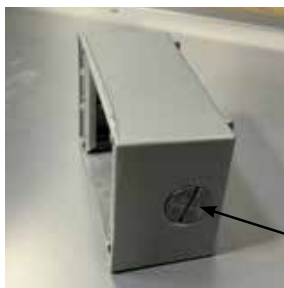
Horizontal termination caps must not discharge into the same space shared by the front of the appliance. Vertical termination caps are recommended.

This appliance must be installed in a weather proof enclosure while still following all clearance to combustible materials as outlined in the appliance manual.

1. Remove the right-side electrical access panel and receptacle box (3 screws).
2. Unwrap the weatherproof receptacle box from the kit and install the two plugs per the instructions (one on each end and sealed with silicone).

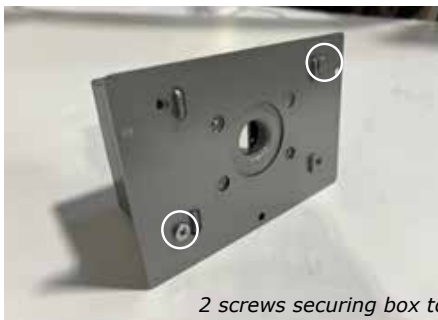
WARNING: Thermostats or other automatic cycling of the burner shall not be permitted.

Optional Proflame remote cannot be used for outdoor application.



Plug on each end installed and sealed with silicone

3. Secure the weatherproof box (2 screws) to the new access panel provided.



2 screws securing box to panel

4. Bring power into receptacle box.
5. Install GFCI outlet and gasketed cover plate provided in kit.

IMPORTANT: Do not use the receptacle that was supplied with the appliance & contained in the manual package as this cannot be used for outdoor applications. Only a GFCI receptacle must be installed.

WARNING

Fire hazard is an extreme risk if these clearances (air space) to combustible materials are not adhered to. It is of greatest importance that this fireplace and vent system be installed only in accordance with instructions highlighted in the manual. Do not place furniture or objects within 36" of the fireplace.

CAUTIOUS REQUIREMENTS

The top, back and sides of the fireplace are defined by standoffs. The metal ends of the standoff may NOT be recessed into combustible construction.

Location

For the purposes of this installation manual the term "outdoor" means installed outside of the insulated building envelope within a weatherproof enclosure or existing solid-fuel burning fireplace having a minimum required overhang. The outdoor space may be attached or free standing to the main/primary structure and may or may not include walls.

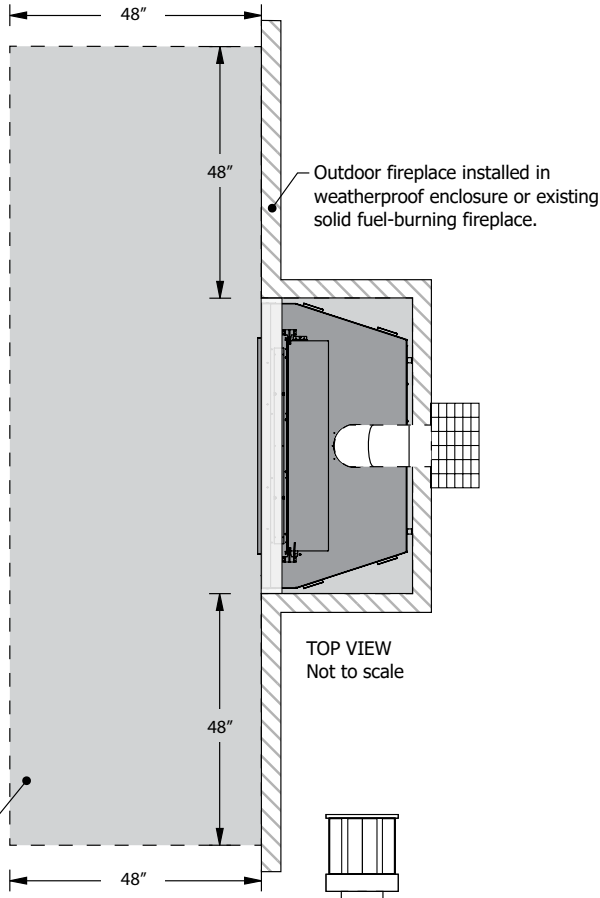
Note

The fireplace will not perform as an exterior wall. If installed against an exterior wall we recommend the appliance enclosure or chase be constructed completely outside of the insulated building envelope and weather membrane. The fireplace must be permanently situated and connected to a fixed piping system, it is not portable.

WARNING
Non-Cool Wall installations only, Cool Wall is not permitted for outdoor applications.

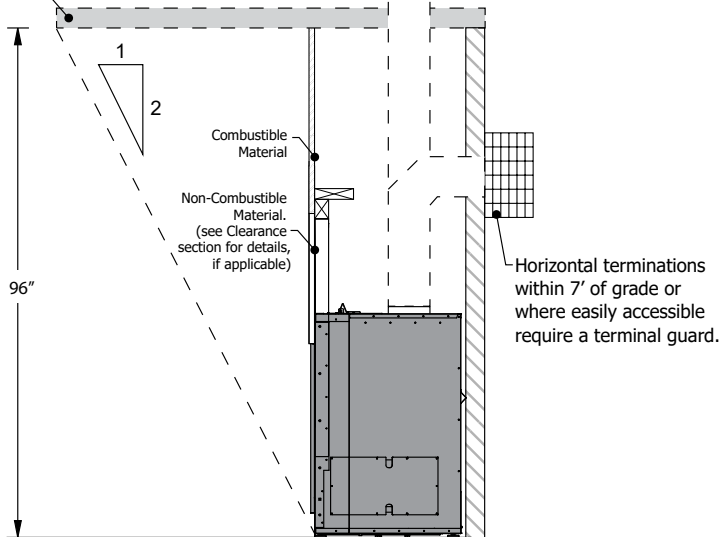
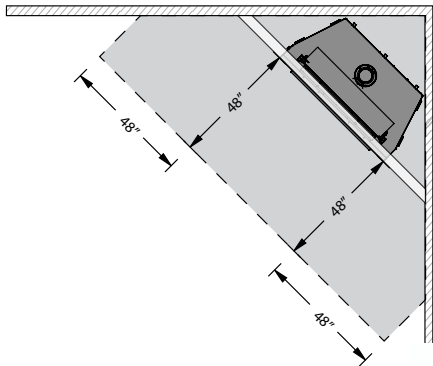
The minimum weatherproof overhang in front and at sides of the fireplace is 1/2 of the height of the overhang (as shown with 96" framing height) measured from the base of the unit.

Flat Wall



TOP VIEW
 Not to scale

Corner Wall



SIDE VIEW
 Not to scale

installation

WARNING

Fire hazard is an extreme risk if these clearances (air space) to combustible materials are not adhered to. It is of greatest importance that this fireplace and vent system be installed only in accordance with instructions highlighted in the manual. Do not place furniture or objects within 36" of the fireplace.

CAUTIOUS REQUIREMENTS

The top, back and sides of the fireplace are defined by standoffs. The metal ends of the standoff may NOT be recessed into combustible construction.

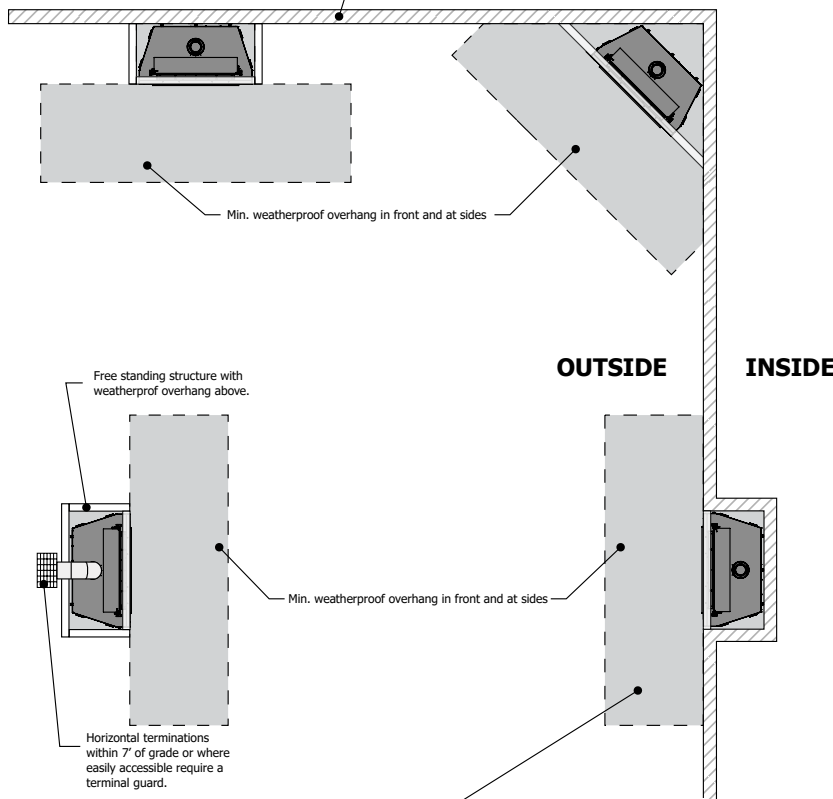
Note
Continuous insulated building envelope and weatherproof membrane can NOT be interrupted by fireplace installation

Note

The fireplace will not perform as an exterior wall. If installed against an exterior wall we recommend the appliance enclosure or chase be constructed completely outside of the insulated building envelope and weather membrane. The fireplace must be permanently situated and connected to a fixed piping system, it is not portable.

Location

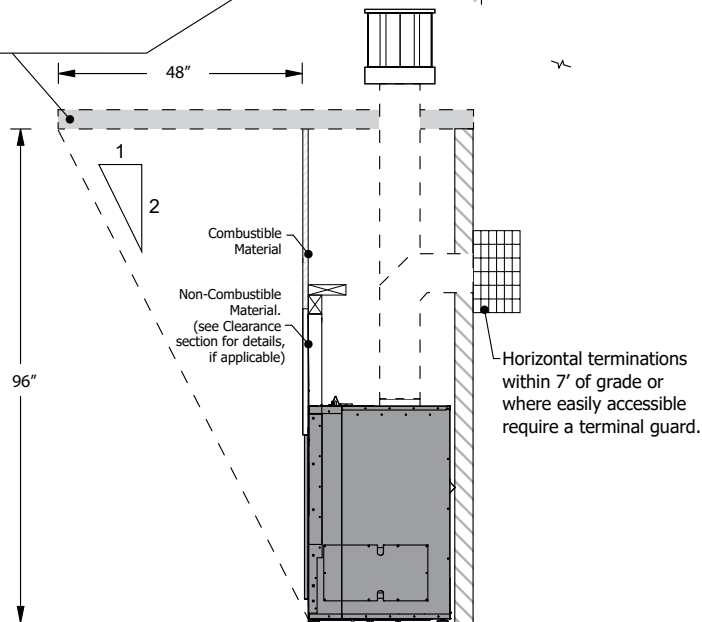
For the purposes of this installation manual the term "outdoor" means installed outside of the insulated building envelope within a weatherproof enclosure or existing solid-fuel burning fireplace having a minimum required overhang. The outdoor space may be attached or free standing to the main/primary structure and may or may not include walls.



The minimum weatherproof overhang in front and at sides of the fireplace is 1/2 of the height of the overhang (as shown with 96" framing height) measured from the base of the unit.

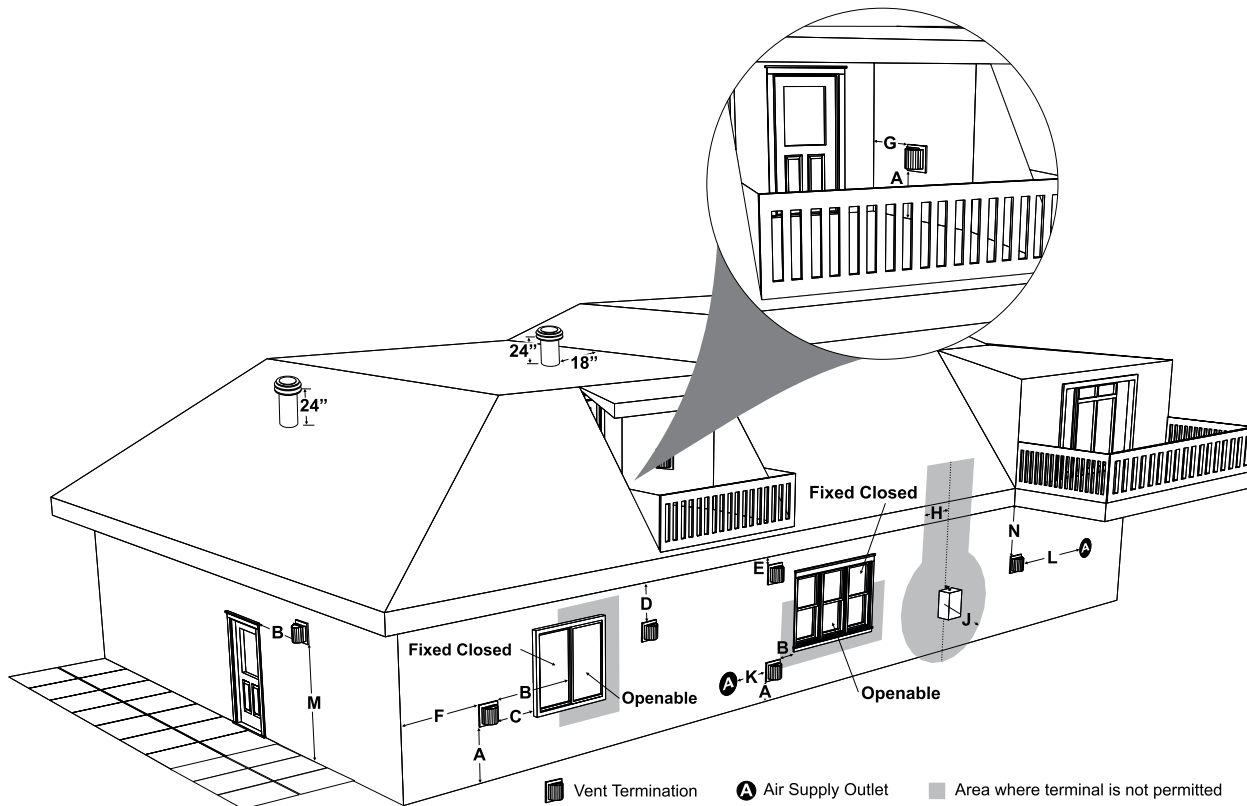
WARNING

Non-Cool Wall installations only, Cool Wall is not permitted for outdoor applications.



SIDE VIEW
Not to scale

Exterior Vent Termination Requirements



	Minimum Clearance Requirements	USA²
A	Clearance above grade, veranda, porch, deck, or balcony	12" (30cm)
B	Clearance to window or door that may be opened	9" (23cm)
C	Clearance to permanently closed window	*
D	Vertical clearance to ventilated soffit located above the terminal within a horizontal distance of 2 feet (61cm) from the center line of the terminal (check with the local code)	24" (60cm)
E	Clearance to unventilated soffit	19" (48cm)
F	Clearance to outside corner: with AstroCap Termination Cap.	13" (33cm)
	Clearance to outside corner: with all other approved Termination Caps	13" (33cm)
G	Clearance to inside corner: with AstroCap Termination Cap	11" (28cm)
	Clearance to inside corner: with all other approved Termination Caps	11" (28cm)
H	Clearance to each side of center line extended above meter/regulator assembly	*
J	Clearance to service regulator vent outlet	*
K	Clearance to non-mechanical air supply inlet to building or the combustion air inlet to any other appliance	9" (23cm)
L	Clearance to a mechanical air supply inlet #3' (91cm) above if within 10' (3m) horizontally	36" (90cm) ^b
M	Clearance above paved sidewalk or a paved driveway located on public property [†]	*
N	Clearance under veranda, porch, deck, or balcony [‡]	*

¹ In accordance with the current *ANSI Z223.1/NFPA 54, National Fuel Gas Code*

[†] A vent shall not terminate directly above a sidewalk or paved driveway which is located between two single family dwellings and serves both dwellings

[‡] Permitted only if veranda, porch, deck, or balcony is fully open on a minimum of two sides beneath the floor

* Clearance in accordance with local installation codes and the requirements of the gas supplier

^a 3 feet (91cm) within a height of 15 feet (4.5m) above the meter / regulator assembly

^b 3 feet (91cm) above - if within 10 feet (3m) horizontally

installation

4" X 6-5/8" (102 mm - 168 mm) Rigid Pipe - Cross Reference Chart Only

Components from different Manufacturers may not be mixed. Not all Rigid Pipe components are available directly from FPI. Non-metallic venting systems shall not interchange components with another listed or unlisted metallic vent system.

Description	Simpson Direct Vent Pro®	*Selkirk Direct Temp™	*American Metal Products® Amerivent Direct	*Metal-Fab™ Sure Seal	*Security Secure- Vent®	*ICC Excel Direct	*Olympia Ventis DV*
6" Pipe Length-Galvanized	46DVA-06	4DT-06	N/A	4D6	SV4L6	TC-4DL6	VDV-0406
6" Pipe Length-Black	46DVA-06B	4DT-06B	N/A	4D6B	SV4LB6	TC-4DL6B	VDVB-0406
7" Pipe Length-Galvanized	N/A	N/A	4D7	N/A	N/A	N/A	N/A
7" Pipe Length-Black	N/A	N/A	4D7B	N/A	N/A	N/A	N/A
9" Pipe Length-Galvanized	46DVA-09	4DT-09	N/A	N/A	N/A	TC-4DL9	VDV-0409
9" Pipe Length-Black	46DVA-09B	4DT-09B	N/A	N/A	N/A	TC-4DL9B	VDVB-0409
12" Pipe Length-Galvanized	46DVA-12	4DT-12	4D12	4D12	SV4L12	TC-4DL1	VDV-0412
12" Pipe Length-Black	46DVA-12B	4DT-12B	4D12B	4D12B	SV4LB12	TC-4DL1B	VDVB-0412
18" Pipe Length-Galvanized	46DVA-18	4DT-18	4D18	4D18	SV4LA	TC-4DL18	VDV-0418
18" Pipe Length-Black	46DVA-18B	4DT-18B	4D18B	4D18B	SV4LA	TC-4DL18B	VDVB-0418
24" Pipe Length-Galvanized	46DVA-24	4DT-24	4D24	4D24	SV4L24	TC-4DL2	VDV-0424
24" Pipe Length-Black	46DVA-24B	4DT-24B	4D24B	4D24B	SV4LB24	TC-4DL2B	VDVB-0424
36" Pipe Length-Galvanized	46DVA-36	4DT-36	4D36	4D36	SV4L36	TC-4DL3	VDV-0436
36" Pipe Length-Black	46DVA-36B	4DT-36B	4D36B	4D36B	SV4LB36	TC-4DL3B	VDVCB-0436
48" Pipe Length-Galvanized	46DVA-48	4DT-48	4D48	4D48	SV4L48	TC-4DL4	VDV-0448
48" Pipe Length-Black	46DVA-48B	4DT-48B	4D48B	4D48B	SV4LB48	TC-4DL4B	VDVB-0448
60" Pipe Length-Galvanized	46DVA-60	4DT-60	N/A	N/A	N/A	N/A	N/A
60" Pipe Length-Black	46DVA-60B	4DT-60B	N/A	N/A	N/A	N/A	N/A

Adjustable Length 3"-10"-Galvanized	N/A	N/A	N/A	4DAL	N/A	TC-4DLT	N/A
Adjustable Length 3"-10"-Black	N/A	N/A	N/A	4DALB	N/A	TC-4DLTB	N/A
Adjustable Length 7"-Galvanized	N/A	N/A	4D7A	N/A	N/A	N/A	N/A
Adjustable Length 7"-Black	N/A	N/A	4D7AB	N/A	N/A	N/A	N/A
Extension Pipe 8-1/2"-Galvanized	46DVA-08A	N/A	N/A	N/A	N/A	N/A	N/A
Extension Pipe 8-1/2"-Black	46DVA-08AB	N/A	N/A	N/A	N/A	N/A	N/A
Adjustable Length 12"-Galvanized	N/A	N/A	4D12A	N/A	SV4LA12	TC-4dLSI	N/A
Adjustable Length 12"-Black	N/A	N/A	4D12A	N/A	SV4LBA12	TC-4dLSIB	N/A
Extension Pipe 16"-Galvanized	46DVA-16A	N/A	N/A	N/A	N/A	N/A	N/A
Extension Pipe 16"-Black	46DVA-16AB	N/A	N/A	N/A	N/A	N/A	N/A

45° Elbow-Galvanized	46DVA-E45	4DT-EL45	4D45L	N/A	N/A	TE-4DE45	VDV-EL0445
45° Elbow-Black	46DVA-E45B	4DT-EL45B	4DT-EL45B	N/A	N/A	TE-4DE45B	VDVB-EL0445
45° Elbow Swivel-Galvanized	See 46DVA-E45	N/A	N/A	4D45L	SV4E45	N/A	N/A
45° Elbow Swivel-Black	See 46DVA-E45B	N/A	N/A	4D45LB	SV4EB45	N/A	N/A
90° Elbow-Galvanized	46DVA-E90	4DT-EL90S	4DT-EL90S	N/A	N/A	TE-4DE90	VDV-EL0445
90° Elbow-Black	46DVA-E90B	4DT-EL90SB	4DT-EL90SB	N/A	SV4EBR90-1	TE-4DE90B	VDVB-EL0445
90° Elbow, Swivel-Galvanized	See 46DVA-E90	N/A	N/A	4D90L	SV4E90-1	N/A	N/A
90° Elbow, Swivel-Black	See 46DVA-E90B	N/A	N/A	4D90LB	SV4EB90-1	N/A	N/A
90° Starter Elbow, Swivel-Galvanized	N/A	N/A	N/A	4D90A	N/A	N/A	N/A
Adaptor*	N/A	N/A	N/A	4D90L	N/A	N/A	VDV-UAA04

Ceiling Support	N/A	4DT-CS	4DSP	4DFSP	SV4SD	TM4-RDS	VDV-SCR04
Cathedral Support Box	46DVA-CS	4DT-CSS	4DRSB	4DRS	SV4CSB	TM4-SDS	VDV-CSS04
Wall Support/Band	46DVA-WS	4DT-WS/B	4DWS	4DWS	SV4BM	TM-SWS	VDV-WS04
Offset Support	46DVA-ES*	4DT-OS	N/A	N/A	SV4SU	TM-SOS	N/A
Wall Thimble	46DVA-WT	4DT-WT	4DWT	4DWT	SV4RSM	N/A	VDV-WPT04
Wall Thimble Cover/Ceiling Support	46DVA-DC	N/A	N/A	N/A	SV4PF	N/A	N/A
Firestop Spacer	46DVA-FS	4DT-FS	4DFSP	4DFS	SV4BF	TM-4CS	VDV-FS04
Trim Plate-Black	N/A	4DT-TPS	4DFPB	4DcP	SV4LA	TM-4TP	VDV-WTC04

* Not available from Regency

Description	Simpson Direct Vent Pro®	*Selkirk Direct Temp™	*American Metal Products® Amerivent Direct	*Metal-Fab™ Sure Seal	*Security Secure- Vent®	*ICC Excel Direct	*Olympia Ventis DV*
Attic Insulation Shield 12"	46DVA-IS	N/A	4DAIS12	DDIS	SV4RSA	N/A	VDV-AIS04
Attic Insulation Shield - Cold Climates 36"	N/A	N/A	4DAIS12	N/A	N/A	TM-4AS	N/A

Basic Horizontal Termination Kit (A)	4DVA-KHA	4DT-HKA	4DHTK2	4DHTKA	SV-SHK	TM4-HTK	VDV-KW04
Horizontal Termination Kit (B)	N/A	4DT-HKB	4DHTK1	4DHTKB	SV-HK	TM4-HTK	VDV-K04
Vertical Termination Kit	N/A	4DT-VKC	4DHTK	4DHTK	SV-FK	N/A	N/A

High Wind Vertical Cap	46DVA-VCH	4DT-VC	N/A	N/A	N/A	TM-4VT	VDV-VCHW04
High Wind Horizontal Cap	N/A	N/A	N/A	N/A	N/A	TM-4DHT	N/A
Horizontal Square Termination Cap	46DVA-HC	4DT-AHC	4DHC	4DHT	SV4CHC-1	TM-4HT	VDV-HC04
Vertical Termination Cap	46DVA-VC	4DT-HVC	4DVC	4DVT	SV4CGV-1	N/A	N/A
Storm Collar	46DVA-SC	4DT-SC	4DSC	4DSC	SV4FC	TM-SC	VDV-SC04

Flashing - Flat Roof	46DVA-FF	N/A	N/A	N/A	N/A	N/A	N/A
Adjustable Flashing 0/12-6/12	46DVA-F6	4DT-AF6	4D12S	4DF	SV4STC14	TF-4FA	VDV-F0406
Adjustable Flashing 6/12-12/12	46DVA-F12	4DT-AF12	4D36S	4DF12	SV4STC36	TF-4FB	VDV-SSO

Vinyl Siding Standoff	46DVA-VSS	4DT-VS-1	N/A	4DVS	SV4VS	TM-VSS	N/A
Vinyl Siding Shield Plate	N/A	4DT-VSP	N/A	N/A	SV4VS	N/A	N/A

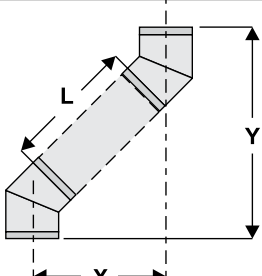
Snorkel Termination 14"	46DVA-SNK14	4DT-ST14	N/A	N/A	N/A	TM-4ST14	N/A
Snorkel Termination 36"	*46DVA-SNK36	4DT-ST36	N/A	N/A	N/A	TM-4ST36	N/A

Wall Firestop	46DVA-FS*	N/A	N/A	N/A	N/A	TM-4TR	VDV-FS04
---------------	-----------	-----	-----	-----	-----	--------	----------

* Not available from Regency

946-506/P	Vent Guard (Optional) for AstroCap	946-205	Vinyl Siding Shield for Riser Vent Terminal
**510-994	Rigid Pipe Adaptor (Must use with all rigid piping)	946-208/P	Vent Guard (Optional) for Riser Vent Terminal
640-530/P	Riser Vent Terminal	946-523/P	AstroCap Horizontal Cap
		946-206	Vinyl Siding Standoff for AstroCap

Note: When using Metal-Fab Sure Seal Rigid Piping - please note that the Adaptor (4DDA) must be used in conjunction with FPI Rigid Pipe Adaptor (510-994).

Offset Pipe Selection: Use this table to determine offset pipe lengths.				For specific instructions on venting components - visit the manufacturers website listed below.
Pipe Length (L)	4" x 6-5/8" Venting			
	Run (X)	Rise (Y)		
0" (0mm)	4-7/8" (124mm)	13-7/8" (340mm)		
6" (152mm)	8" (203mm)	16-1/2" (419mm)		
9" (229mm)	10-1/8" (257mm)	18-5/8" (473mm)		
12" (305mm)	12-1/4" (311mm)	20-3/4" (527mm)		
24" (610mm)	20-5/8" (524mm)	29-1/8" (740mm)		
36" (914mm)	29" (737mm)	37-1/2" (953mm)		
48" (1219mm)	37-7/16" (951mm)	45-15/16" (1167mm)		

Note: Horizontal runs of vent must be level, or have a 1/4" rise for every 1 foot of run towards the termination. Never allow the vent to run downward - this could cause high temperatures and may present a possible fire hazard.

Olympia Ventis DV: www.olympiachimney.com

installation

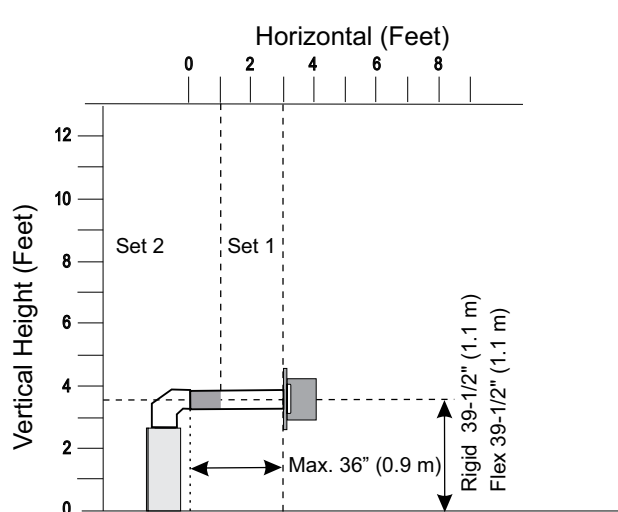
Venting Arrangements for Horizontal Terminations - Flex Vent or Rigid Pipe 4" x 6-5/8" (102mm x 168mm)

The Diagrams show all allowable combinations of vent runs with 4" x 6-3/4" venting using the Regency direct vent system or rigid vent system. A vent guard should be used whenever the termination is lower than the specified minimum or as per local codes.

For horizontal terminations the Regency Direct Vent Flex System may be used for installations with a maximum **continuous** vent maximum horizontal length of 3ft (0.9m).

Note: Must use optional rigid pipe adaptor (Part # 510-994) when using Rigid Pipe vent systems.

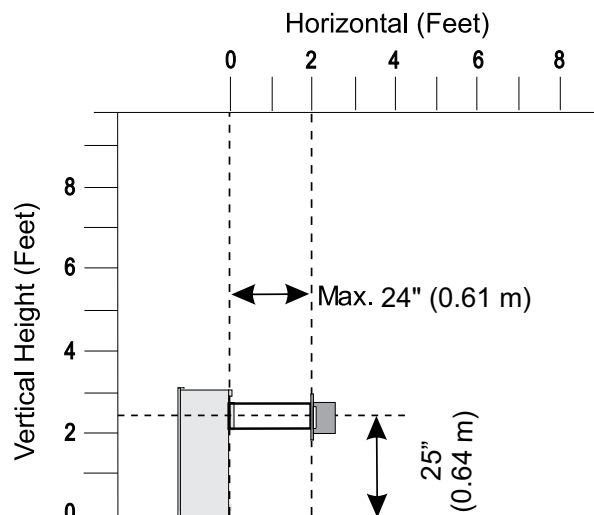
- **Maintain clearance to combustibles.**
- **Horizontal vent must be supported every 3 feet.**
- **Firestops are required at each floor level and whenever passing through a wall.**



Top Vented

Set #1 - 2" (51mm) open between 1-3' (0,3 - 0,91 m) horizontal

Set #2 - 1-3/4" (44mm) open less than 1' horizontal



Rear Vented

Factory Setting - 2-1/2" (64mm)

Rigid Pipe Venting Systems - Horizontal or Vertical Terminations

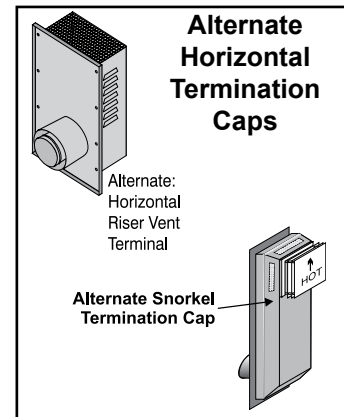
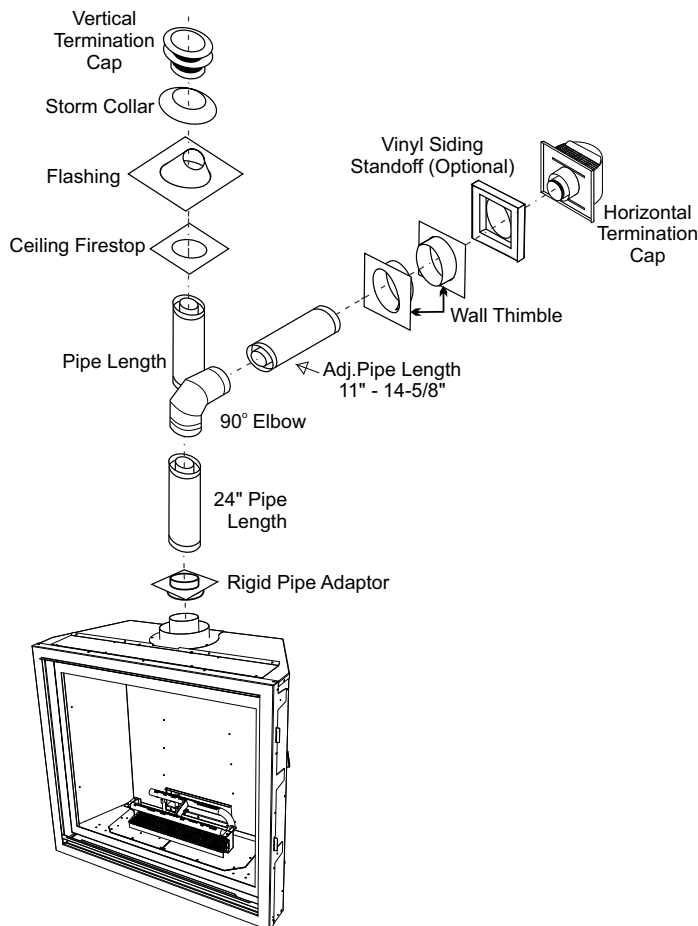
The minimum components required for a basic horizontal termination are:

- 1 Horizontal Termination Cap
- 1 90° Elbow
- 1 Rigid Pipe Adaptor
- 1 Wall Thimble
- 1 Length of pipe to suit wall thickness (see chart)

Wall thickness is measured from the back standoffs to the inside mounting surface of termination cap. For siding other than vinyl furring strips may be used, instead of the vinyl siding standoff, to create a level surface to mount the vent terminal. The Terminal must not be recessed into siding. Measure the wall thickness including furring strips.

If a Vinyl Siding Standoff is required (it must be used with vinyl siding), measure to outside surface of wall without siding and add 2 inches.

Flat Wall Installation	
Wall Thickness (inches)	Vent Length Required (inches)
4" (102mm) - 5-1/2" (140mm)	6" (152mm)
7" (178mm) - 8-1/2" (216mm)	9" (229mm)
10" (254mm) - 11-1/2" (292mm)	12" (305mm)
9" (229mm) - 14-1/2" (368mm)	11" (279mm) - 14-5/8" (371mm) Adj. Pipe
15" (381mm) - 23-1/2" (597mm)	17" (432mm) - 24" (610mm) Adj. Pipe
Corner Installation	
Wall Thickness (inches)	Vent Length Required (inches)
3-1/4" (83mm) - 6-3/4" (171mm)	11" (279mm) - 14-5/8" (371mm) Adj. Pipe
7-3/4" (197mm) - 16-1/4" (413mm)	17" (432mm) - 24" (610mm) Adj. Pipe
7-1/4" (184mm) - 8-3/4" (146mm)	6" (152mm) + 12" (305mm) 9" (229mm) + 9" (229mm)
4-1/4" (108 mm) - 5-3/4" (146mm)	6" (152mm) + 9" (229mm)



WARNING:
Do not combine venting components from different venting systems.
However use of the AstroCap™ and FPI Riser is acceptable with all systems.

This product has been evaluated by Intertek for using a Rigid Pipe Adaptor in conjunction with DuraVent Direct Vent, Selkirk Direct-Temp, Ameri Vent Direct venting, Olympia Ventis DV and Security Secure Vent systems. Use of these systems with the Rigid Pipe Adaptor is deemed acceptable and does not affect the Intertek WHI listing of components.

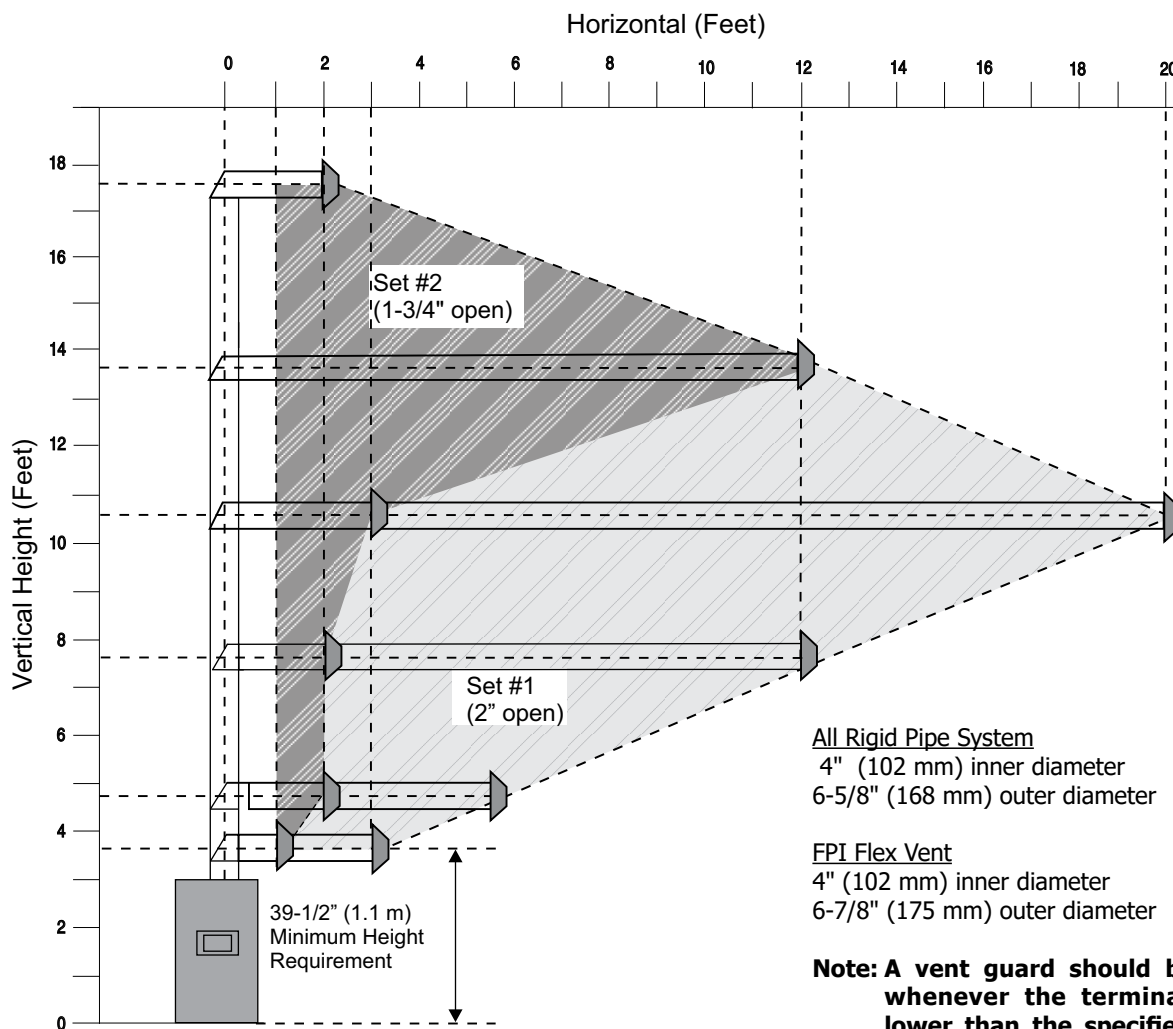
The FPI AstroCap™ and FPI Riser Vent terminal are certified for installations using FPI venting systems as well as Simpson Dura-Vent® Direct Vent , American Metal Products, Olympia Ventis DV, Security Secure Vent®, AmeriVent Direct Vent. AstroCap™ is the proprietary trademark of FPI Fireplace Products International Ltd. Dura-Vent® and Direct Vent are registered and/or proprietary trademarks of Simpson Dura-Vent Co. Inc.

installation

Venting Arrangements - Horizontal Termination - Rigid Pipe and Direct Vent System (Flex) (Propane & Natural Gas)

The diagram shows all allowable combinations of vertical runs with horizontal terminations, using one 90° elbow (two 45° elbows equal one 90° elbow).

Note: Must use optional rigid pipe adaptor (Part # 510-994) when using Rigid Pipe venting systems.



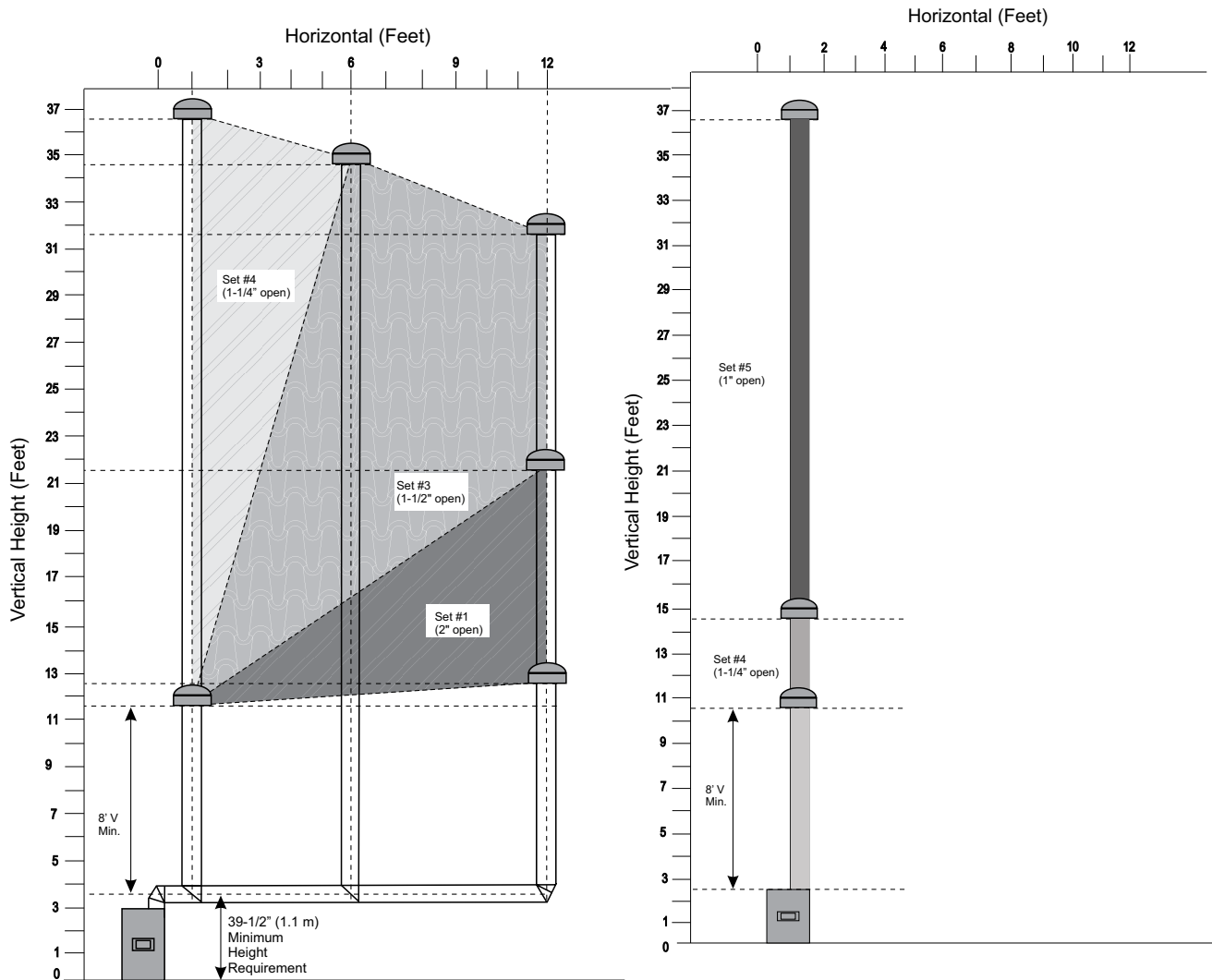
Note: A vent guard should be used whenever the termination is lower than the specified minimum or as per local codes.

Note: FPI Direct Vent Flex System Part #:946-513 (2 foot or 0.61 m), 946-515 (4 foot or 1.22 m) and 946-516 (10 foot or 3.05 m) only are approved for horizontal terminations.

- Maintain clearances to combustibles.
- Horizontal vent must be supported every 3 feet.
- Firestops are required at each floor level and whenever passing through a wall.

Venting Arrangements Vertical Termination - Rigid Pipe System and Vertical Flex Kit to Same Limitations (Propane & Natural Gas)

The shaded area in the diagram shows all allowable combinations of straight vertical and offset to vertical terminations, using two 90° elbows, with rigid pipe vent systems for Propane and Natural Gas.



- Vent must be supported at offsets.
- Firestops are required at each floor level and whenever passing through a wall.
- Maintain clearances to combustibles.

Note: Must use optional rigid pipe adaptor when using rigid vent systems (Part # 510-994).

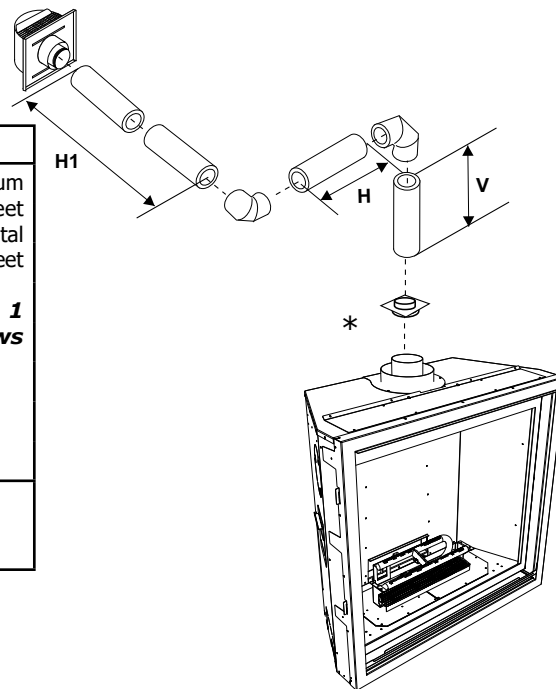
installation

Horizontal Terminations - Two 90° Elbows

One 90° elbow = Two 45° elbows.		
Option	V	H + H1
A)	0' Min.	2' (0.61m) Max.
B)	1' (0.3m) Min.	3' (0.91m) Max.
C)	2' (0.61m) Min.	4' (1.22m) Max.
D)	3' (0.91m) Min.	5' (1.52m) Max.
E)	4' (1.22m) Min.	6' (1.82m) Max.
F)	5' (1.52m) Min.	7' (2.13m) Max.
G)	6' (1.82m) Min.	8' (2.44m) Max.

With these options, maximum total pipe length is 30 feet with minimum of 6 feet total vertical and maximum 8 feet total horizontal.
Please note minimum 1 foot between 90° elbows is required.

Restrictor Set #1 - 2" (51mm) open. Lengths do not include elbows indicated.
***Required when using rigid venting.**

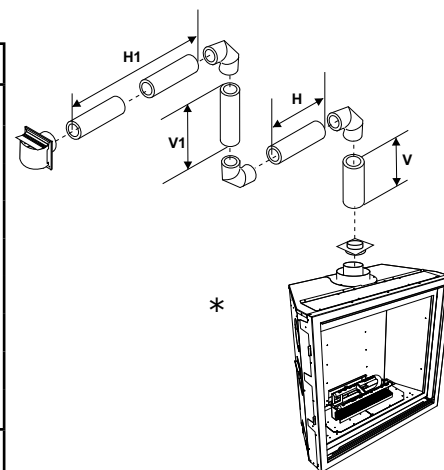


Horizontal Terminations - Three 90° Elbows

One 90° elbow = Two 45° elbows.				
Option	V	H	V + V1	H + H1
A)	0' Min.	1' (0.3 m) Max.	1' (0.3 m) Min.	2' (0.61 m) Max.
B)	1' (0.3 m) Min.	2' (0.61 m) Max.	3' (0.91 m) Min.	3' (0.91 m) Max.
C)	2' (0.61 m) Min.	2' (0.61 m) Max.	5' (1.52 m) Min.	4' (1.22 m) Max.
D)	3' (0.91 m) Min.	2' (0.61 m) Max.	7' (2.13 m) Min.	5' (1.52 m) Max.
E)	4' (1.22 m) Min.	3 (0.91 m) Max.	9' (2.74 m) Min.	6' (1.82 m) Max.
F)	5' (1.52 m) Min.	4' (1.22 m) Max.	10' (3.04 m) Min.	7' (2.13 m) Max.
G)	6' (1.82 m) Min.	5' (1.52 m) Max.	11' (3.35 m) Min.	8' (2.44 m) Max.
H)	7' (2.13 m) Min.	6' (1.82 m) Max.	12' (3.66 m) Min.	9' (2.74 m) Max.

With these options, max. total pipe length is 30 feet with min. of 12 feet total vertical and max. 9 feet total horizontal.
Please note min. 1 foot between 90° elbows is required.

Restrictor Set #1 - 2" (51mm) open. Lengths do not include elbows included.
***Required when using rigid venting**



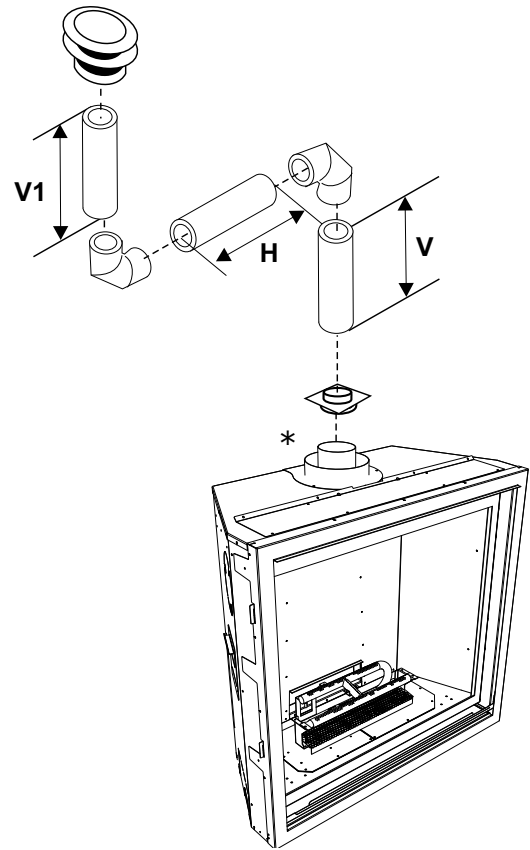
Vertical Venting With Two 90° Elbows

One 90° elbow = Two 45° elbows.			
Option	V	H	V + V1
A)	0' Min.	2' (0.61 m) Max.	1' (0.3 m) Min.
B)	1' (0.3 m) Min.	4' (1.22 m) Max.	3' (0.91 m) Min.
C)	2' (0.61 m) Min.	5' (1.52 m) Max.	4' (1.22 m) Min.
D)	3' (0.91 m) Min.	6' (1.82 m) Max.	5' (1.52 m) Min.
E)	4' (1.22 m) Min.	7' (2.13 m) Max.	6' (1.82 m) Min.
F)	5' (1.52 m) Min.	8' (2.43 m) Max.	7' (2.13 m) Min.

With these options, maximum total pipe length is 30 feet with minimum of 7 feet total vertical and maximum 8 feet total horizontal.

Please note minimum 1 foot between 90° elbows is required.

Restrictor Set #1 - 2" (51 mm) open
 Lengths do not include elbow indicated.
***Required when using rigid venting**



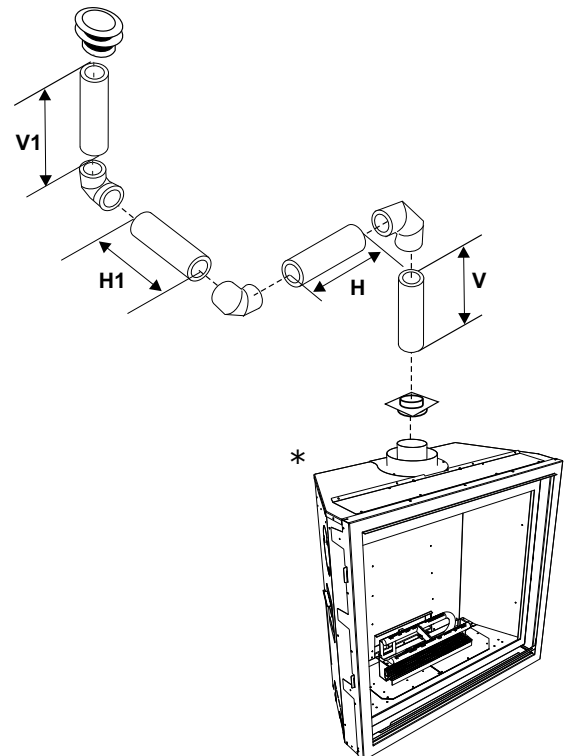
Vertical Venting With Three 90° Elbows

One 90° elbow = Two 45° elbows.			
Option	V	H + H1	V + V1
A)	0' Min.	2' (0.61 m) Max.	2' (0.61 m) Min.
B)	1' (0.3 m) Min.	2' (0.61 m) Max.	3' (0.91 m) Min.
C)	2' (0.61 m) Min.	3' (0.91 m) Max.	4' (1.22 m) Min.
D)	3' (0.91 m) Min.	4' (1.22 m) Max.	6' (1.82 m) Min.
E)	4' (1.22 m) Min.	5' (1.52 m) Max.	7' (2.13 m) Min.
F)	5' (1.52 m) Min.	6' (1.82 m) Max.	8' (2.44 m) Min.
G)	6' (1.82 m) Min.	7' (2.13 m) Max.	9' (2.74 m) Min.
H)	7' (2.13 m) Min.	8' (2.44 m) Max.	10' (3.05 m) Min.

With these options, maximum total pipe length is 30 feet with minimum of 10 feet total vertical and maximum 8 feet total horizontal.

Please note minimum 1 foot between 90° elbows is required.

Restrictor Set #1 - 2" open
 Lengths do not include elbow indicated.
***Required when using rigid venting**



installation

Venting Arrangements with Co-linear Flex System into a Masonry Chimney Application

IMPORTANT: As shown below, the unit can only be vented from the top, not from the rear.

THE APPLIANCE MUST NOT BE CONNECTED TO A CHIMNEY FLUE SERVING A SEPARATE SOLID FUEL BURNING APPLIANCE.

Masonry chimneys may take various contours which the flexible liner will accommodate. However, **keep the flexible liner as straight as possible**, avoid unnecessary bending.

The Air Intake pipe must be attached to the inlet air collar of the termination cap.

This appliance is designed to be attached to two 3" (76mm) co-linear aluminium flex running the full length of the chimney. See the Venting Arrangements on next page for minimum and maximum heights.

Required Parts:

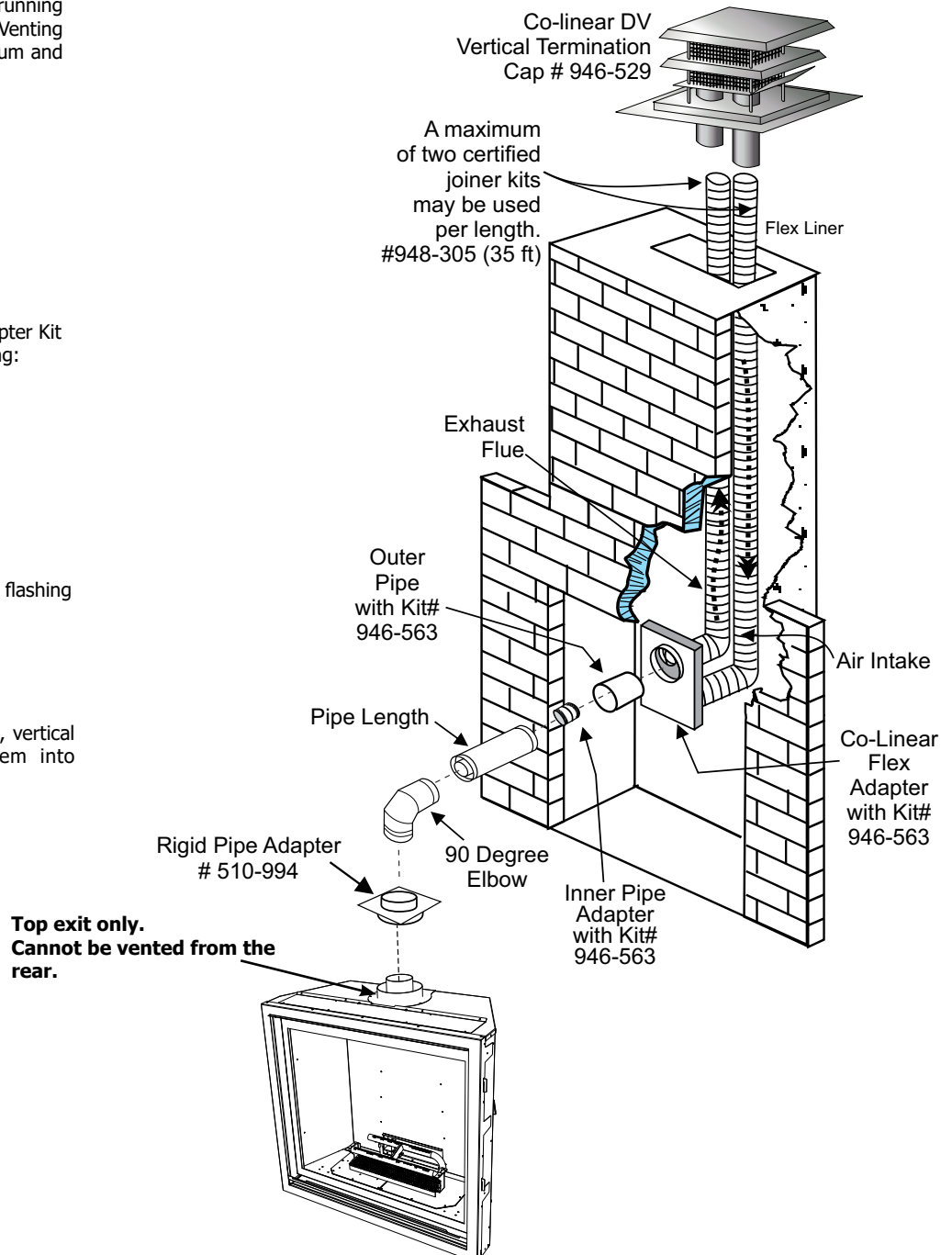
Part #	Description
946-529	Co-linear DV Vertical Termination Cap
948-305	3" Flex - 35 ft.
946-563	Co-Axial to Co-Linear Adapter Kit which contains the following: Co-linear Flex Adapter Outer Pipe Inner Pipe Adapter
510-994	Rigid Pipe Adapter

Alternate Approved Caps

46dva-VC	Vertical Termination Cap
46dva-VCH	High Wind Cap
46dva-GK	3" Co-linear Adapter with flashing

NOTE:

See detailed venting arrangements, vertical terminations, co-linear flex system into masonry fireplaces in this manual.

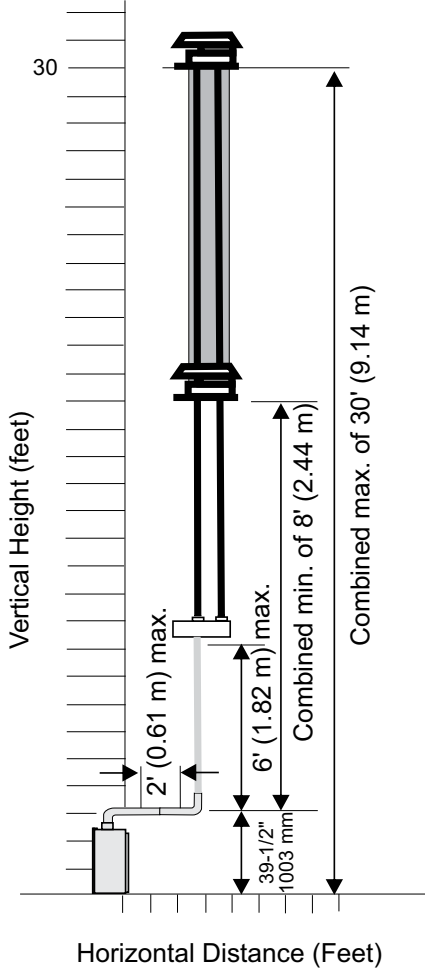
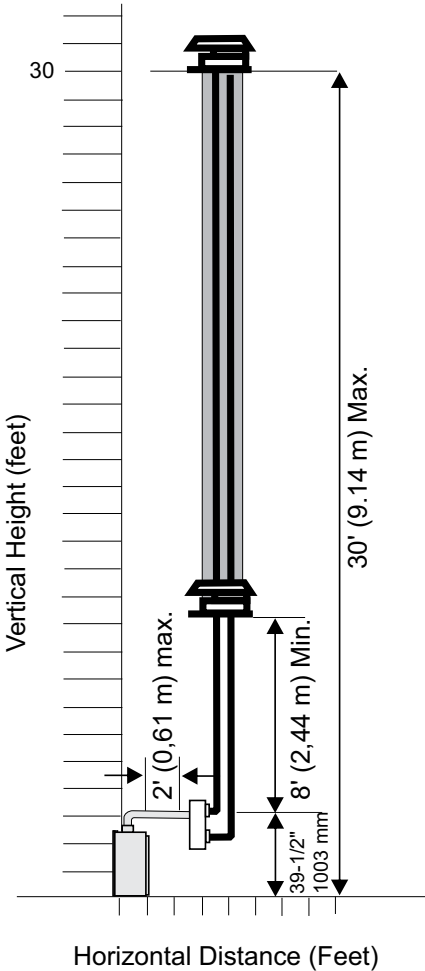
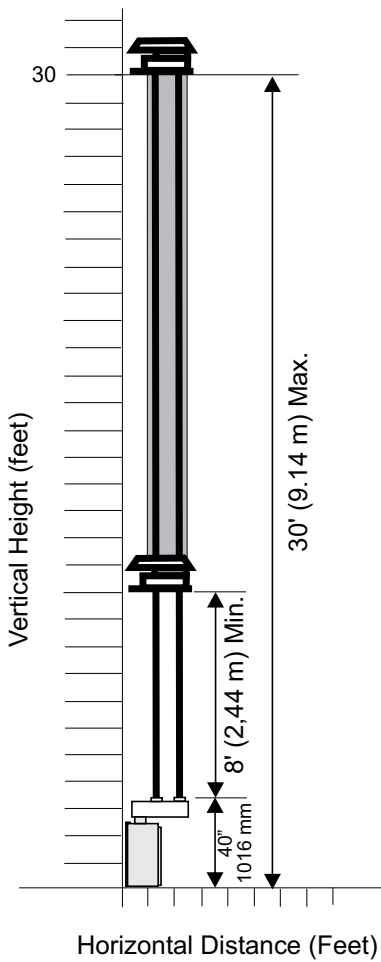


Venting Arrangement - Vertical Terminations - Co-linear Flex System Into Masonry Fireplaces

FOR BOTH RESIDENTIAL & MANUFACTURED HOMES

IMPORTANT: As shown below, the unit can only be vented from the top, not from the rear.

Restrictor at Set #1 (2" open)



installation

Unit Installation with Horizontal Termination

Install the vent system according to the manufacturer's instructions included with the components.

1. Set the unit in its desired location. Check to determine if wall studs or roof rafters are in the way when the venting system is attached. If this is the case, you may want to adjust the location of the unit. Rough in the gas preferably on the right side of the unit and the electrical (junction block is on the left side) on the left.
2. Direct Vent pipe and fittings are designed with special twist-lock connections to connect the venting system to the appliance flue outlet. A twist-lock appliance adaptor is an available option that must be used in conjunction with the Simpson Dura-Vent Direct Vent system.
3. Put a bead of Mill-Pac inside the outer section of the adapter and on the inner collar. Slip the adapter over the existing inner and outer flue collar and fasten to the outer collar only with the 3 supplied screws (drilling pilot holes will make this easier). Level the fireplace and fasten it to the framing using nails or screws through the nailing strips.
4. Assemble the desired combination of pipe and elbows to the appliance adaptor and twist-lock for a solid connection.

Notes:

- a) Twist-lock procedure: Four indentations, located on the female ends of pipes and fittings, are designed to slide straight onto the male ends of adjacent pipes and fittings, by orienting the four pipe indentations so they match and slide in to the four entry slots on the male ends, Diagram 1. Push the pipe sections completely together, then twist-lock one section clockwise approximately one-quarter turn, until the two sections are fully locked. The female locking lugs will not be visible from the outside, on the Black Pipe or fittings. They may be located by examining the inside of the female ends.

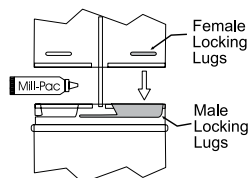


Diagram 1

NOTE: For best results and optimum performance with each approved venting system, it is highly recommended to apply "Mill-Pac" sealant (supplied) to every inner pipe connection. Failure to do so may result in drafting or performance issues not covered under warranty.

- b) Horizontal runs of vent must be supported every three feet. Wall straps are available for this purpose.
5. Mark the wall for a 10" x 10" square hole. The center of the square hole should line up with the centerline of the horizontal pipe. Cut and frame the 10 inch square hole in the exterior wall where the vent will be terminated. If the wall being penetrated is constructed of non-combustible material, i.e. masonry block or concrete, a 7" (178mm) dia. (7-1/2" (191mm) dia. for flex) hole is acceptable.

Note: With Dura-Vent, the minimum height is achieved by installing a 90° elbow directly to the rigid pipe adaptor.
Notes:

- a) The horizontal run of vent must be level, or have a 1/4 inch rise for every 1 foot of run towards the termination. Never allow the vent to run downward. This could cause high temperatures and may present the possibility of a fire.
- b) The location of the horizontal vent termination on an exterior wall must meet all local and national building codes, and must not be blocked or obstructed. For External Vent Terminal Locations, see Exterior Vent Termination Location.
- c) **Snorkel Terminations:** For installations requiring a vertical rise on the exterior of the building, 14-inch and 36-inch tall Snorkel Terminations are available, as well as the standard Riser Vent. Follow the same installation procedures as used for standard Horizontal Termination. NEVER install the snorkel upside down.

Below Grade Installation

If the Snorkel Termination must be installed below grade, i.e. basement application, proper drainage must be provided to prevent water from entering the Snorkel Termination. Refer to Diagram 4. Do not attempt to enclose the Snorkel within the wall, or any other type of enclosure.

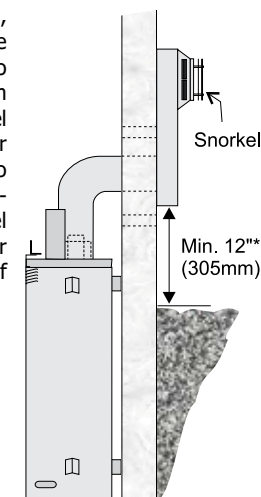


Diagram 2

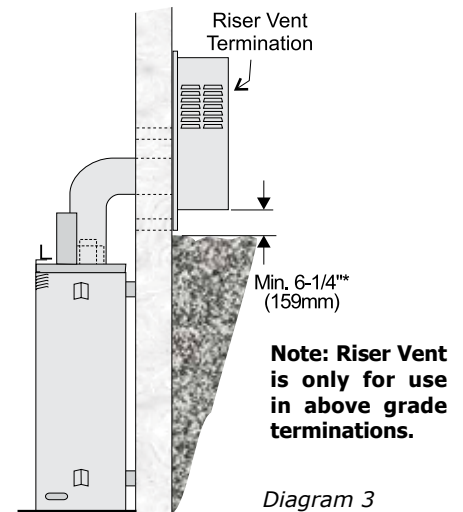


Diagram 3

***Diagrams 3 & 4: As specified in CGA B149 Installation Code. Local codes or regulations may require different clearances.**

- 6) **The arrow on the vent cap should be pointing up.** Insure that the 1-1/2" clearances to combustible materials are maintained (Diagram 4). Install the termination cap.

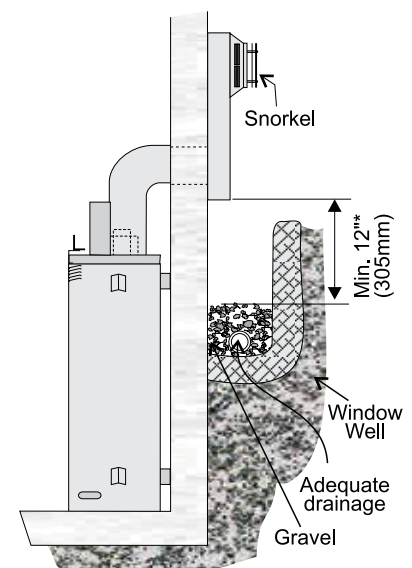


Diagram 4

NOTE: For Snorkel terminations in ABOVE grade installations, follow national or local code requirements.

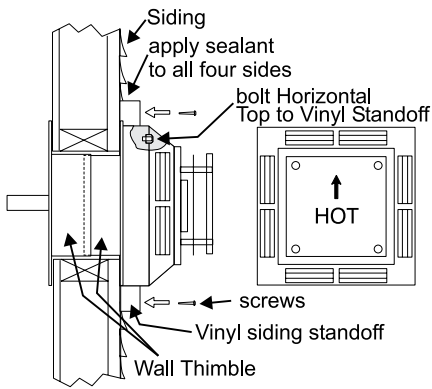


Diagram 5

The four wood screws provided should be replaced with appropriate fasteners for stucco, brick, concrete, or other types of sidings.

Note: If installing termination on a siding covered wall, a vinyl siding standoff or furring strips must be used to ensure that the termination is not recessed into the siding.

- Before connecting the horizontal run of vent pipe to the vent termination, slide the Wall Thimble over the vent pipe.
- Slide the appliance and vent assembly towards the wall carefully inserting the vent pipe into the vent cap assembly. It is important that the vent pipe extends into the vent cap sufficient distance so as to result in a minimum pipe overlap of 1-1/4 inches. Secure the connection between the vent pipe and the vent cap by attaching the two sheet metal strips extending from the vent cap assembly into the outer wall of the vent pipe. Use the two sheet metal screws provided to connect the strips to the pipe section. See Diagram 6.

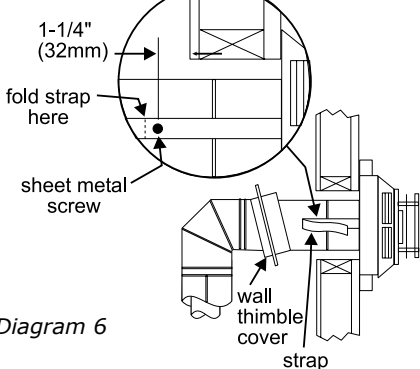


Diagram 6

- Install wall thimble wood screws in the center of the 10" square and attach with wood screws (Diagram 7).

Diagram 7

Unit Installation with Vertical Termination

- Maintain the 1-1/4" clearances (air spaces) to combustibles when passing through ceilings, walls, roofs, enclosures, attic rafter, or other nearby combustible surfaces. Do not pack air spaces with insulation. Check for the maximum vertical rise of the venting system and the maximum horizontal offset limitations.

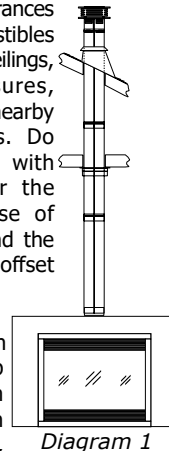


Diagram 1

- Set the gas appliance in its desired location. Drop a plumb bob down from the ceiling to the position of the appliance flue exit, and mark the location where the vent will penetrate the ceiling. Drill a small hole at this point. Next, drop a plumb bob from the roof to the hole previously drilled in the ceiling, and mark the spot where the vent will penetrate the roof. Determine if ceiling joists, roof rafters or other framing will obstruct the venting system. You may wish to relocate the appliance or to offset, as shown in Diagram 2 to avoid cutting load bearing members.

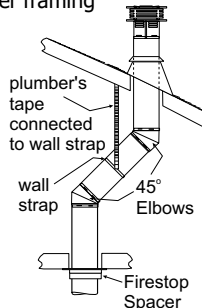
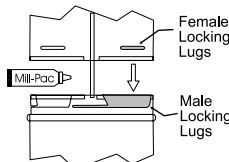


Diagram 2



NOTE: For best results and optimum performance with each approved venting system, it is highly recommended to apply "Mill-Pac" sealant (supplied) to every inner pipe connection. Failure to do so may result in drafting or performance issues not covered under warranty.

- A Firestop spacer must be installed in the floor or ceiling of every level. To install the Firestop spacer in a flat ceiling or wall, cut a 10 inch square hole. Frame the hole as shown in Diagram 3 and install the firestop.

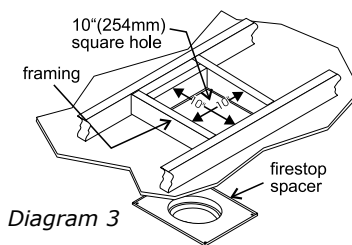


Diagram 3

- Assemble the desired lengths of pipe and elbows. Ensure that all pipes and elbow connections are in the fully twist-locked position and sealed.
- Cut a hole in the roof centered on the small drilled hole placed in the roof in Step 2. The hole should be of sufficient size to meet the minimum requirements for clearance to combustibles of 1-1/2". Slip the flashing under the shingles (shingles should overlap half the flashing) as per Diagram 4.

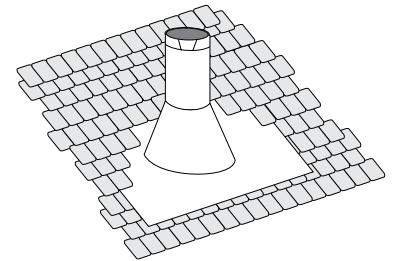


Diagram 4: The upper half of the flashing is installed under the roofing material and not nailed down until the chimney is installed. This allows for small adjustments.

- Continue to assemble pipe lengths.

Note: If an offset is necessary in the attic to avoid obstructions, it is important to support the vent pipe every 3 feet, to avoid excessive stress on the elbows, and possible separation. Wall straps are available for this purpose (Diagram 2).

Galvanized pipe is desirable above the roof line due to its higher corrosion resistance. Continue to add pipe sections through the flashing until the height of the vent cap meets the minimum height requirements specified in Diagram 5 or local codes. Note that for steep roof pitches, the vertical height must be increased.

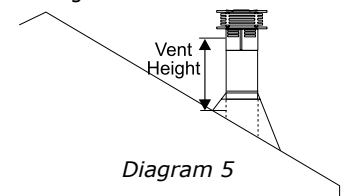


Diagram 5

Roof Pitch	Minimum Vent Height	
	Feet	Meters
flat to 7/12	2	0.61
over 7/12 to 8/12	2	0.61
over 8/12 to 9/12	2	0.61
over 9/12 to 10/12	2.5	0.76
over 10/12 to 11/12	3.25	0.99
over 11/12 to 12/12	4	1.22
over 12/12 to 14/12	5	1.52
over 14/12 to 16/12	6	1.83
over 16/12 to 18/12	7	2.13
over 18/12 to 20/12	7.5	2.29
over 20/12 to 21/12	8	2.44

installation

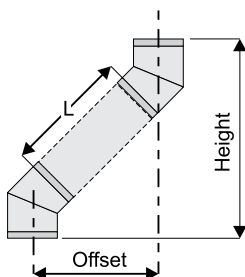
A poor draft, or down drafting can result from high wind conditions near big trees or adjoining roof lines, in these cases, increasing the vent height may solve the problem.

- Ensure vent is vertical and secure the base of the flashing to the roof with roofing nails, slide storm collar over the pipe section and seal with a mastic.
- Install the vertical termination cap by twist-locking it.

Note: Any closets or storage spaces, which the vent passes through must be enclosed.

Offset Chart

GS 6"(152mm) Nominal Diameter ID					
Offset	Pipe Length (L)		Height		
inches	mm	inches	mm	inches	mm
4 3/4	121	0	0	13 1/4	337
9	229	6	152	17 1/2	445
11 1/4	286	9	229	19 1/2	495
13 1/4	337	12	305	21 3/4	552
21 3/4	552	24	610	30 1/4	768
30 1/4	768	36	914	39	991
38	965	48	1219	47	1194

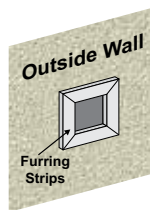


Direct Vent System (Flex) Installation Procedures

- Locate the unit in the framing, rough in the gas (preferably on the right side of the unit) and the electrical (Junction block is on the left) on the left. Locate the centerline of the termination and mark wall accordingly. Cut a 10"(254mm) hole in the wall (inside dimension).

Note: A 1-1/2"(38mm) clearance around the liner must be maintained except that only a 1"(25mm) clearance is needed at the termination end. We recommend framing a 10"(254mm) x 10"(254mm) (inside dimensions) hole to give structural rigidity for mounting the termination.

Note: To make the installation more aesthetically pleasing, we recommend framing out a square to mount the terminal to.



Note: If installing termination on a siding covered wall, furring strips must be used to ensure that the termination is not recessed into the siding.

- Level the fireplace and fasten it to the framing using nails or screws through the nailing strips.
- Assemble the vent assembly by applying Mill Pac to the 4"(100mm) inner collar of the termination and slipping the 4"(100mm) liner over it at least 1-3/8" (35mm). Fasten with the 3 screws (drilling pilot holes will make this easier). Apply Mill Pac to the 6-7/8"(175mm) flex pipe and slip it over the 6-7/8" outer collar of the vent terminal at least 1-3/8"(35mm) and fasten with the 3 screws.

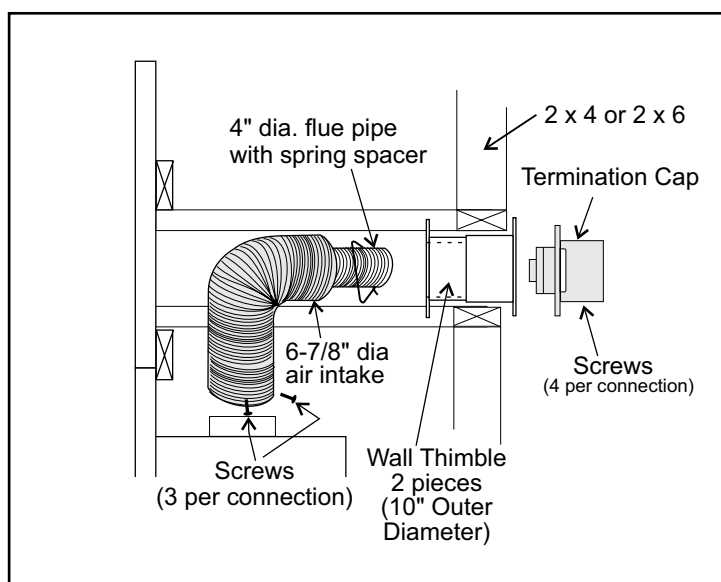
NOTE: Horizontal sections must be supported at intervals not exceeding 3 feet (0.9 meter). (Flame picture and performance will be affected by sags in the liner).

- Separate the 2 halves of the wall thimble and

securely fasten the one with the tabs to the outside wall making sure that the tabs are on top and bottom. Fasten the other thimble half to the inside wall. The thimble halves slip inside each other and can be adjusted for 2 x 4 or 2 x 6 walls. The liners must slip over the collars a minimum of 1-3/8".

- Slip the assembled liner and termination assembly through the thimble making sure the termination cap faces up (there are markings on the cap that show which way is up). This will position the termination cap with proper down slope for draining water. Fasten the cap to the outer wall with the 4 supplied screws.
- Pull the centre 4"(100mm) liner and outer 6-7/8"(175mm) liner out enough to slip over the flue collars of the fireplace. (You may wish to cut the liner shorter to make it more workable.) Do not bend liner more than 90°.
- Apply Mill Pac over the fireplace inner collar and slip the 4"(100mm) liner down over it and attach with 3 supplied screws.
- Do the same with the 6-7/8"(175mm) liner.
- Apply a bead of silicone between the thimble and termination and around the outer edge of the terminal at the wall in order to keep the water out.

IMPORTANT: Do not locate termination hood where excessive snow or ice buildup may occur. Be sure to check vent termination area after snow falls, and clear to prevent accidental blockage of venting system. When using snow blowers, make sure snow is not directed towards vent termination area.



Vertical Termination 4' x 6-7/8' (102 mm x 175 mm) Venting - Vertical Flex Vent Kit (Part #946-755)

- Maintain the 1-1/2" (38 mm) clearance (air space) to combustibles when passing through ceilings, walls, floors, enclosures, attic rafters or other nearby combustibles. Do not pack air spaces with insulation. Check Venting sections for the maximum vertical rise of the venting system and the maximum horizontal offset limitations.
Ensure that you maintain clearances around enclosures, walls, below or above floors, floor joists, etc. Each appliance has different clearance requirements (top,sides,bottom). See specific appliance manual for details.
- Set the appliance in its desired position. Drop a plumb bob down from the ceiling/floor joist to the position of the appliance flue exit and mark the location where the vent will penetrate the ceiling. Drill a small hole at this point. Next drop a plumb bob from the roof to the hole previously drilled at the ceiling level and mark the spot where the vent will penetrate the roof.
- Cut a hole in the roof centered on the small hole placed in the roof in the previous steps. The hole should be a minimum of 10-1/4 (260 mm) inches. The hole may be round and or square.
- Slip the flashing under the shingles and line up flashing so it is centered to the hole (shingles should overlap half of the flashing) as per Diagram 1.

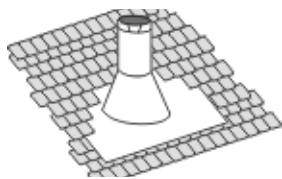


Diagram 1: The upper half of the flashing is installed under the roofing material and not nailed down until the chimney is installed. This allows for small adjustments.

Diagram 1

- A ceiling firestop/firestop spacer must be installed when passing through each floor or ceiling level. To install the ceiling firestop/firestop spacer in a flat ceiling or floor joist cut a 10- 1/4 (260 mm) inch square hole. Frame the hole as show in Diagram 1 and install the ceiling firestop. Slide the top attic insulation spacer onto the top of the attic insulation shield/firestop - See Diagram 1a. Secure with 4 screws/nails. If more than one is required, these can be purchased separately.

Note: The ceiling firestop/firestop spacer may be cut down to size if this shield is too high for the application.

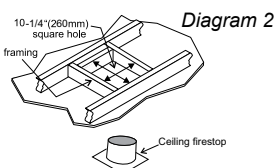


Diagram 2

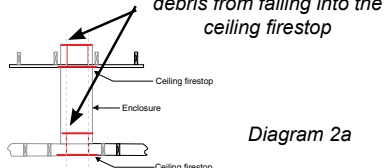


Diagram 2a

- Determine the overall height of the chimney from the top of the appliance to the underside of the flashing. If required cut the flexible inner and outer pipe to the desired length up to a maximum of 20 feet (6.1 m).
- Put a bead of Mill-Pac around the 4 inch (102 mm) collar on the appliance and slide the inner flex pipe over the inner collar of the appliance and secure with a minimum of 3 screws.
- Install 4 inch spacers around 4 inch (102 mm) flex.
- Repeat Step 7 to install the outer pipe to the outer collar of the appliance

Note: If an offset is necessary in the attic or floor joists it is important to support the vent pipe every 3 feet (0.91 m) to avoid excessive stress and sagging of the vent pipe. Wall straps are provided (3 in total) for this purpose. All round/plumbers strapping may also be used if further supports are required.

- Attach the rigid pipe section to the adaptor by using Mill-Pac on the inner/ outer pipe. Use 3 screws to secure outer pipe.

- Secure inner flex pipe to pipe adaptor by using Mill-Pac over the adaptor. Slide the inner pipe over adaptor and secure with 3 screws.
- Repeat Step 11 to secure outer flex.
- Slide the finished length up towards the flashing ensuring the length of pipe is a minimum of 2 feet (0,61 m) measured from the top of the roof. Level the chimney and secure using the roof support provided with kit to bottom side of the roof as shown using a minimum of 2 screws per side- see Diagram 3b. See Diagram 4 for roof pitch and height requirements. See Diagram 3a for securing method if 2 ft. (0,61 m) is insufficient and additional lengths are required, this may be purchased separately. See Simpson Duravent components list in the instruction manual for part numbers.

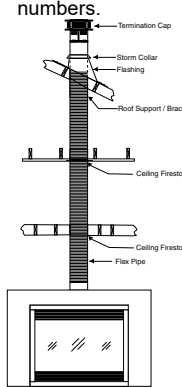


Diagram 3

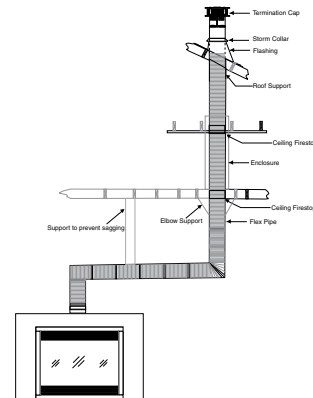


Diagram 3a

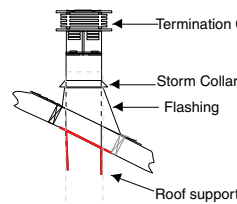


Diagram 3b

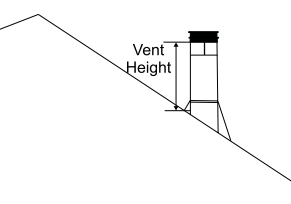


Diagram 4

Roof Pitch	Minimum Vent Height	
	Feet	Meters
flat to 7/12	2	0.61
over 7/12 to 8/12	2	0.61
over 8/12 to 9/12	2	0.61
over 9/12 to 10/12	2.5	0.76
over 10/12 to 11/12	3.25	0.99
over 11/12 to 12/12	4	1.22
over 12/12 to 14/12	5	1.52
over 14/12 to 16/12	6	1.83
over 16/12 to 18/12	7	2.13
over 18/12 to 20/12	7.5	2.29
over 20/12 to 21/12	8	2.44

- Put a bead of caulking on the exterior between the outer pipe and flashing to prevent water from penetrating the chimney system.
- Slide storm collar over pipe length until it reaches the flashing.
- Install termination cap by twist locking it.
- Secure the flashing to the roof using screws

Note: Any closets or storage spaces which the vent passes through must be enclosed.

installation

Vertical Flue Extension Kit (Part #946-756)

20 foot (6.1 m) Flex pipe Extension

(Used in conjunction with the 946-755 Vertical Flex kit and 948-367/P flex to flex adaptor).

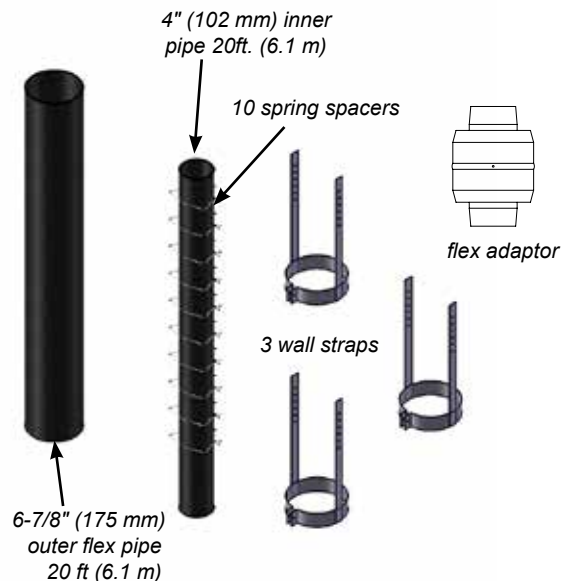
1. Stretch out both inner 4" (102 mm) and outer 6 7/8" (175 mm) pipe up to a maximum of 20 feet.

Note: The inner and outer pipes may be cut if only a short length is required.

2. Install spring spacers around 4" (102 mm) inner pipe as shown. Slide outer flex pipe over and all the way down the 4" pipe.
3. Apply a bead of Mill Pac around the perimeter of the 4" (102 mm) inner collar of the flex adaptor and slip the 4" (102 mm) inner flex pipe from the Vertical termination kit over the flex adaptor ensuring that the inner flex pipe overlaps the collar by at least 1-3/8" (35 mm). Fasten with 3 screws.
4. Apply a bead of Mill Pac around the perimeter of the 6-7/8" (175 mm) outer collar of the flue adaptor and slip it over the 6-7/8" (175 mm) outer flex pipe from the vertical termination kit ensuring that the outer flex pipe overlaps the collar by at least 1-3/8" (35 mm). Fasten with the 3 screws.
5. Repeat steps to secure the other end of the flex adaptor using the flex kit.
6. See Vertical Vent installation instructions for installation of the complete vent system.

Note: If an offset is necessary in the attic or floor joists it is important to support the vent pipe every 3 feet (0.91 m) to avoid excessive stress and sagging of the vent pipe. Wall straps are provided (3 in total) for this purpose.

All round/plumbers strapping may also be used if further supports are required.



Ceiling Firestop / Firestop Spacer (Part #946-757)

Used in conjunction with the 946-755 Vertical Flex Kit and the 946-756 Vertical Flex Extension Kit/Horizontal Power Vent Kit.

A ceiling firestop/firestop spacer must be installed when passing through each floor or ceiling level. To install the ceiling firestop/firestop spacer in a flat ceiling or floor joist, cut a 10- 1/4 inch square hole, frame it as show in Diagram 1, and install the ceiling firestop. Slide the top attic insulation spacer onto the top of the attic insulation shield/firestop (see Diagram 1a). Secure with 4 screws/nails. If more than one firestop is required, these can be purchased separately.

NOTE • The ceiling firestop/firestop spacer may be cut down to size if the shield is too high for the application.

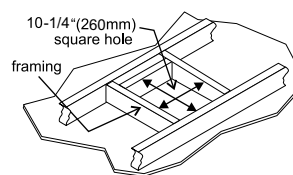


Diagram 1

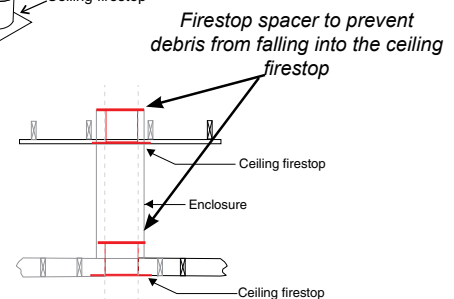


Diagram 1a

Conversion from NG to LP for G600C using SIT 880/821 PROFLAME Gas Valve

**THIS CONVERSION MUST BE DONE BY A QUALIFIED GAS FITTER
IF IN DOUBT DO NOT DO THIS CONVERSION !**

Each Kit contains one LP Conversion Kit

Conversion Kit #776-977 contains:

Qty.	Part #	Description
1	904-977	Burner Orifice #55
1	904-529	5/32" Allen Key
1	918-590	Decal "Converted to LPG"
1	908-528	Red "LP" label
1	910-037	LP Injector (Pilot Orifice)
1	920-326	Instruction Sheet

Installation of LP Conversion Kit:

1. Shut off the gas and electrical supply.
2. Remove the safety screen.
3. Remove the glass door.
4. Remove the logs, glass, and any other media.
5. Remove the two log supports (4 screws) and the grate assembly (2 screws).

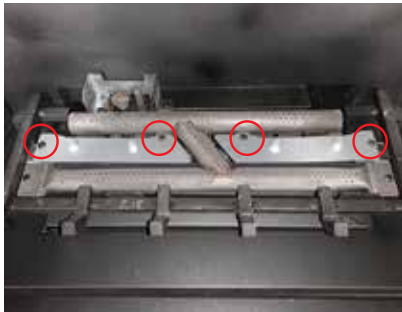


Diagram 1: Remove 6 screws.

6. Remove three screws, then remove the burner assembly.



Diagram 2: Slide burner assembly to the right, then remove.

7. Remove the pilot retainer clip below the pilot cap.



Pilot retainer clip



8. Pull off the pilot cap to expose the pilot orifice.



9. Unscrew the pilot orifice with the Allen key. Replace it with the LPG pilot orifice provided in the kit.



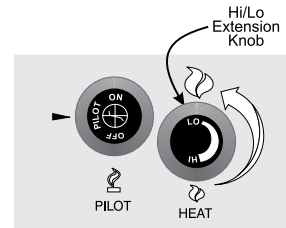
10. Re-install pilot cap and pilot retainer clip.

11. Remove burner orifice with a 3/8" wrench. Use another wrench to hold the elbow behind the orifice. Discard orifice.

12. Reinstall new LPG burner orifice (stamped #55) and tighten.



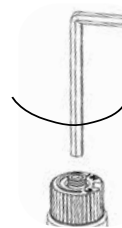
13. Turn control knob to the "OFF" position. Locate the "Hi/Lo" knob on the gas valve. See diagram below.



- 14) Remove the black protection cap from the Hi-Lo knob (Fig.1).



Fig. 1



- 15) Insert a 5/32" or 4mm Allen wrench into the hexagonal key-way of the screw (Fig. 2). Rotate it counter-clockwise until it is free and extract it.

Fig. 2

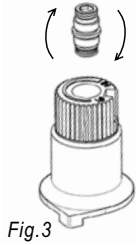
Installer Notice:

These instructions must remain with the appliance.

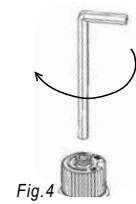
installation

- 16) Check that the screw is clean and remove dirt if necessary.

- 17) Flip the screw (Fig. 3).

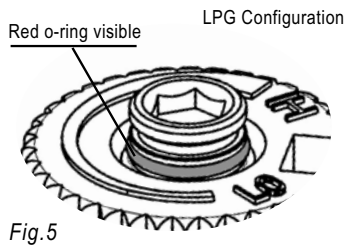


- 18) Using the Allen wrench as shown in Fig. 4, rotate the screw clockwise until snug. Do not overtighten.

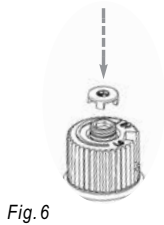


WARNING!
Do not over tighten the screw.
Recommended to grip the wrench by the short side.

- 19) If the conversion is from NG to LPG, the screw must be re-assembled with the red o-ring visible (Fig. 5).



- 20) Re-assemble the black protection cap (Fig. 6).



- 21) Reverse steps 6 - 1.

WARNING!
Check that the pilot and main burner injectors are appropriate for the gas type.

- 22) Attach the label "This unit has been converted to LPG" near or on top of the serial # decal.
- 23) Replace yellow "NG" label with red "LPG" label.
- 24) Reinstall burner assembly.
- 25) Adjust aeration accordingly—see manual for details. Aeration must be set to 3/16" for LP.
- 26) Reverse steps 4–1.
- 27) Check for gas leaks.
- 28) Check inlet and outlet pressures.
- 29) Check operation of flame control.

Brick Panel Installation (Part # 776-901, 776-903, 776-904, 776-905)

Note: Do not install the firebed grate, media, vermiculite, embers, and logs until the brick panels are installed.

- Brick panels will discolor a little during normal operation. This is normal and should not be considered a defect.

1. Remove screen and glass door, if installed.
2. Loosen two screws in locations shown below. Slide upper baffle towards the back wall and then remove from unit.



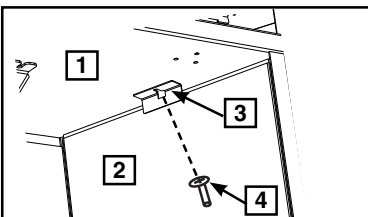
3. Loosen 2 screws on pilot assembly in locations shown below. Slide pilot shield towards the back of the unit and remove from unit.



4. Install back panel carefully. Tilt panel forward from the top and rest the bottom of the panel on the firebox floor. Tip top back until it also rests on the firebox back wall.



5. Loosen screws and remove brick clip.



Item	Part #	Description
1	N/A	Inside Top of Firebox
2	N/A	Panel
3	761-049	Brick Clip
4	904-519	Screw

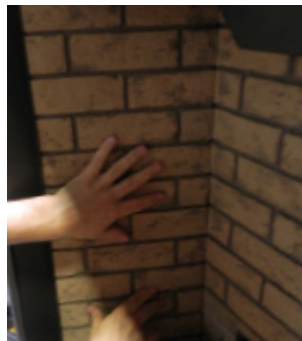
6. Install the right side panel—the angled corner should be located facing the bottom rear of the fireplace when installing.

NOTE: Shorter row of bricks should be positioned at the bottom of back and side panels.



7. With panel in position, secure it with the brick clip removed in step 5 and retighten screw.

8. Repeat Steps 5-7 on the left side.



9. Slide the bottom panel carefully underneath the burner and push to the back until it contacts the back panel.



10. Reinstall the upper baffle.

11. Reinstall the pilot shield removed in step 3.

installation

Enamel/Steel Panel installation (Steel Panels - Part # 776-907, Enamel Panels - Part # 776-908)

For Black Enamel Panels:

- Black enamel panels must be inspected for scratches and dimples prior to installation. All claims are to be recorded at this time. Claims for damage after installation will not receive consideration.
- Black enamel panels will discolor a little during normal operation. This is normal and should not be considered a defect.
- * All hand and fingerprints MUST be cleaned off with a soft cloth. Use an ammonia-based cleaner (ie. glass cleaner) to remove any fingerprints before applying heat to the unit.

Failure to do this will result in burn stains on panels which you will be unable to remove. Not protected by product warranty.

Note: Do not install the firebed grate, media, vermiculite, embers, and logs until the enamel/steel panels are installed.

1. Remove screen and glass door, if installed.
2. Loosen two screws in locations shown below. Slide upper baffle towards the back wall and then remove from unit.



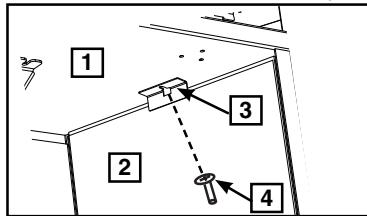
3. Loosen 2 screws on pilot assembly in locations shown below. Slide pilot shield towards the back of the unit and remove from unit.



4. Install back panel carefully. Tilt panel forward from the top and rest the bottom of the panel on the firebox floor. Tip top back until it also rests on the firebox back wall.



5. Loosen screws and remove brick clips.



Item	Part #	Description
1	N/A	Inside Top of Firebox
2	N/A	Panel
3	761-049	Brick Clip
4	904-519	Screw

6. Install the right side panel—the angled face should be located facing the bottom rear of the fireplace when installing.



7. With panel in position, secure it with the brick clip removed in Step 5 and tighten the screw.
8. Repeat Steps 5-7 on the left side.



9. Slide the bottom panel carefully underneath the burner and push to the back until it contacts the back panel.



10. Reinstall the upper baffle.
11. Reinstall the pilot shield removed in step 3.

Log Set Installation

Read the instructions below carefully and refer to the diagrams. If logs are broken do not use the unit until they are replaced. Broken logs can interfere with the pilot operation.

The G600EC/G600C/G600C-1 log sets, #776-930 for Grandview Oak, #776-932 for Grandview Birch, contain the following pieces:

1	Rear Log	
2	Middle Left Log	
3	Middle Right Log	
4	Center Left Cross Log	
5	Front Bottom 'Y' Log	
6	Left Rear Log	
7	Right Cross Log	
8	Middle Front	
9	Left Log Piece	
10	Right Log Piece	
11	Left Front Log Piece	
12	Right Front Log Piece	
Must also purchase (#776-938), Log Grate and Ember Package, separately. The kit contains:		Log Grate
		3/4" Ginger glass
		Vermiculite
		Black/White Embers
		Log Support Plates

NOTE: Panels (brick, steel, or enamel) must be installed prior to installing the log set.

1. Carefully remove the logs from the box and unwrap them. The logs are fragile, handle with care - **do not force into position when installing.**



Diagram 1-Log ID

2. Install the log grate—secure with 2 screws in locations shown below.



Diagram 2-Log Grate Install

3. Install the supplied crystals over the ember lights underneath the burner as shown. Place vermiculite and embers on top of the glass. Do not place any media on the burner.



Diagram 3-Install Glass



Diagram 4-Install Vermiculite + Lava
Warning: Glass crystals must be placed at least 1" away from the front edge of the unit.

installation

4. Install 2 log support plates onto the burner with 2 screws each as shown.



Diagram 5-Install Log support plate installation

5. Place Log 1 onto the grate, behind the rear of the burner. Ensure the left cut out butts against the end of the burner tube and the right end of the log butts against the curve of the burner. Final position of the log should be pulled forward and to the right.



Diagram 6-Log 1 installation

6. Install Log 2 on left log support plate. Line up the pins on the plate with the pin hole on the log.



Diagram 7-Install Log 2

7. Install Log 3 on right log support plate. Line up the pins on the plate with the pin hole on the log.



Diagram 8-Install Log 3

8. Install Log 4 diagonally across Log 2. Rest Log 4 in the notch out on Log 2 as shown.

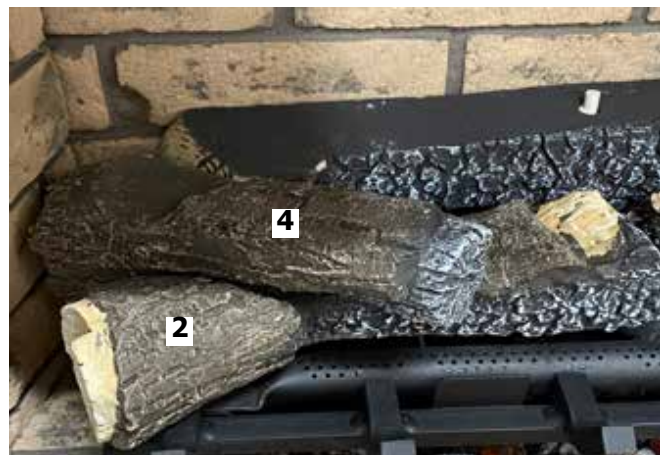


Diagram 9-Install Log 4

9. Install Log 5; one end will rest in the notch out on Log 3—the 'Y' end will rest on the 3rd prong from the right on the log grate.

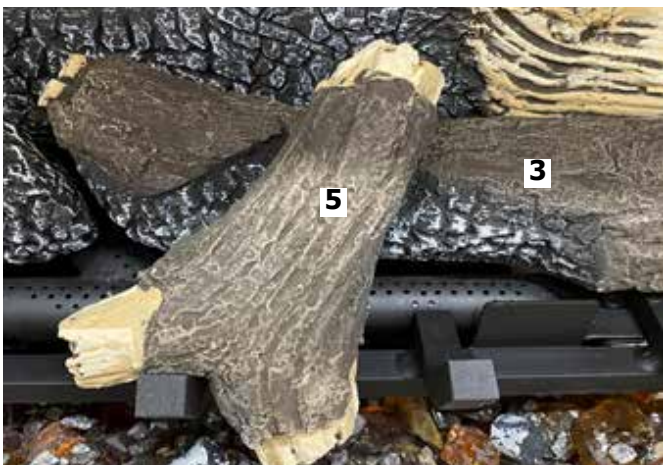


Diagram 10-Install Log 5

10. Install Log 6 on the left side of Log 1. Line up the pin on Log 1 with the pin hole on Log 6—the opposite end of Log 6 will rest in the notch in Log 4.

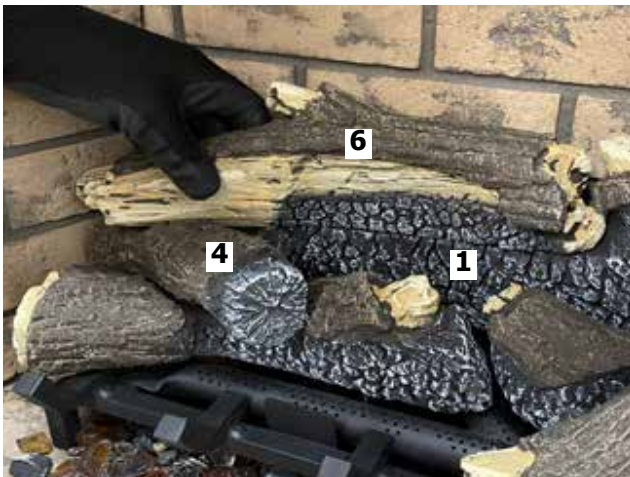


Diagram 11-Install Log 6

13. Install Log 9 to the right of Log 5. The cutout in Log 9 will rest in the 2nd prong from the right on the log grate.



Diagram 14-Install Log 9

11. Install Log 7 on the right side of Log 1 as shown. The pin hole on the underside of Log 7 should land on the pin of Log 1. The bottom of Log 7 will rest on the log grate.



Diagram 12-Install Log 7

14. Install Log 10 as shown. The flat bottom will rest on the firebox floor and the opposite end will rest on the 3rd prong from the left.



Diagram 15-Install Log 10

12. Install Log 8 at the front of the log grate. The cutouts in Log 8 should rest in the 4th + 5th prongs from the right of the log grate.



Diagram 13-Install Log 8

15. Install Log 11 to the left of the log grate on the firebox floor as shown.



Diagram 16-Install Log 11

installation

16. Install Log 12 on the firebox floor near Log 7, as shown.



Diagram 17-Install Log 12

17. Test fire to ensure proper light off (make sure flame flows smoothly).
If there is any flame hesitation, check that area for any blockage of the burner ports.

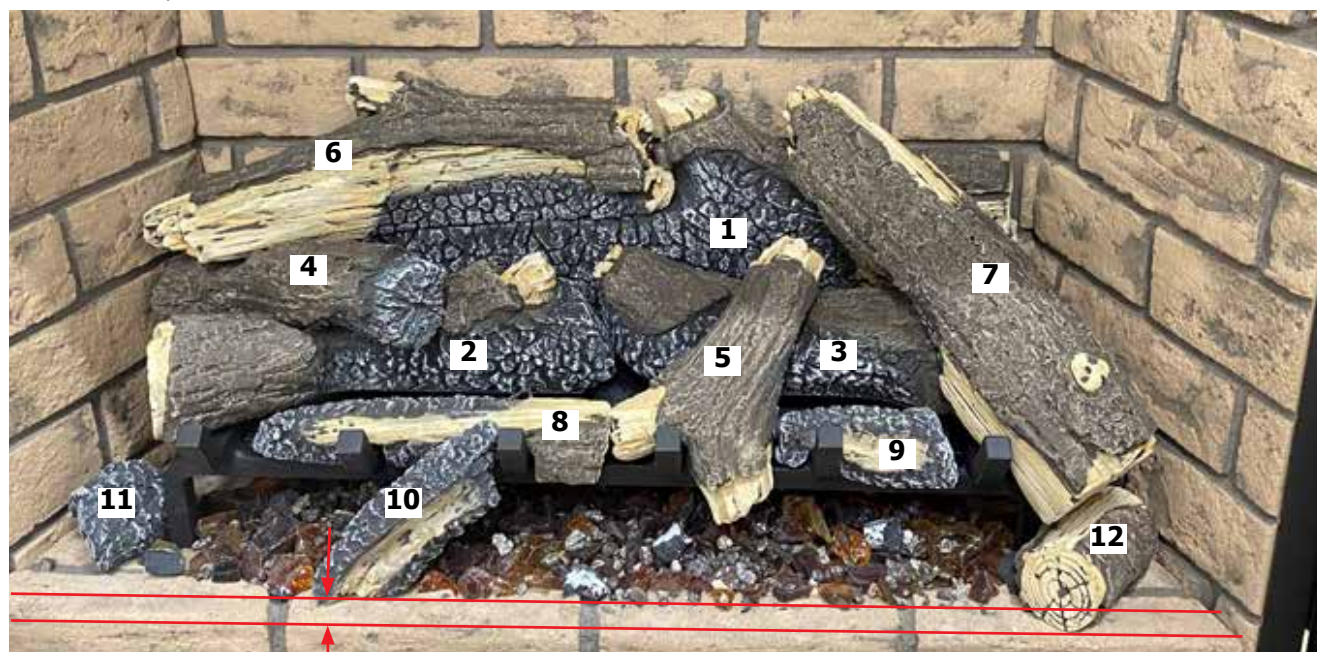


Diagram 18-Final Installation

Glass crystals must be placed at least 1" away from the front edge of the unit.





Glass crystals must be placed at least 1" away from the front edge of the unit (steel panels shown).

installation

Crystal Tray Installation (Part #776-937)

Note: The optional brick, steel, or enamel panels must be installed prior to the crystal tray.

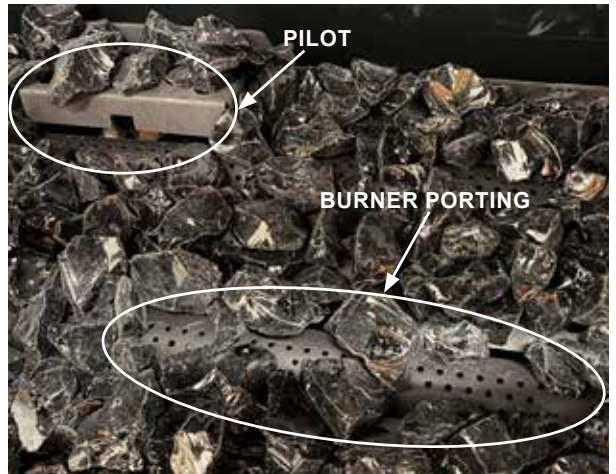
1. Place the crystal tray over the burner, as shown below.



2. Attach the crystal tray with two screws, one on the middle left and another on the middle right of the tray, as shown below.



3. Add 5 lbs of crystal media and spread it across the tray in one even layer. **Important: ensure that at least 50% of the gas burner porting remains uncovered. Do not cover the pilot area.**



4. If using volcanic stones as additional media, add a maximum of 10, as shown below. **Important: Volcanic stones should not cover any of the gas burner porting or pilot areas.**



5. To remove the crystal tray, reverse the steps above.

Driftwood Tray Installation

Read the instructions below carefully. If the logs are broken do not use until they are replaced. Broken logs can interfere with pilot operation. Improper positioning of the logs may create carbon buildup and can alter the unit's performance which is not covered under warranty.

The Driftwood log set kit # 776-931 contain the following:
 Logs 1 to 5
 Stones (2 pieces)
 Embers Andiron Black 0.3lb
 Embers Ashen 0.8lb

1. Place the driftwood media tray over the burner, as shown below.



2. Attach the driftwood media tray with two screws, one on the middle-left and one on the middle-right of the tray, as shown below.



3. Add two stones to the tray prior to adding ember media in the locations shown. The stones must not cover the burner porting.



4. Add the supplied ember media (1.1lbs total) and spread it across the tray and around two stones in one even layer.

IMPORTANT:

1. Ensure that at least 50% of the gas burner porting remains uncovered. Do not cover the pilot area or place any embers on the pilot cover.



2. Ensure there is no ember media underneath the two stones - they must sit directly on the media tray.



5. Place Log #1 against the back of the firebox, centered as shown. Make sure Log #1 is sitting on the tray.



6. Place Log #2 on the lefthand side of the tray as shown. Ensure the left pin of Log #1 fits into the hole on the underside of Log #2. Make sure Log #2 is supported by the tray (see encircled).



7. Place Log #3 in the front-right area of the tray as shown.



installation

- Place Log #4 on the righthand side of the tray as shown. Ensure the right pin on log #1 fits into the hole on the underside of Log #4. Make sure Log #4 is supported by the tray (see encircled).



- Place Log #5 in the front-left area of the tray as shown.



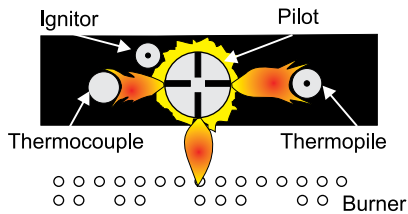
Important: Ensure no logs cover the gas burner porting area.

- To remove the driftwood media tray, reverse the steps 1-9.

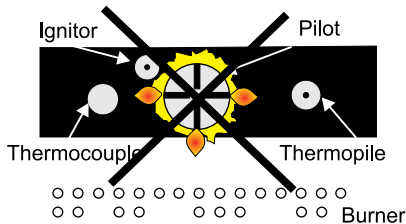
Pilot Adjustment

Periodically check the pilot flames. Correct flame pattern has three strong blue flames: 1 flowing around the thermopile, 1 around the thermocouple and 1 flowing across the burner (it does not have to be touching the burner).

Note: If you have an incorrect flame pattern, contact your Regencydealer for further instructions.



Incorrect flame pattern will have small, probably yellow flames, not coming into proper contact with the rear burner or thermopile or thermocouple.



G600C - NG System Data	
For 0 to 4500 feet altitude Burner Inlet Orifice Sizes: #44	
Max. Input Rating	Btu/h: 21,000 6.15 kW
Min. Input Rating	Btu/h: 11,500 3.37 kW
Supply Pressure	min. 5.0" w.c. max. 14.0" w.c.
Manifold Pressure (High)	3.8" w.c.
Manifold Pressure (Low)	1.1" w.c.

G600C - LP System Data	
For 0 to 4500 feet altitude Burner Inlet Orifice Sizes: #55	
Max. Input Rating	Btu/h 20,500 6.0 kW
Min. Input Rating	Btu/h 11,000 3.22 kW
Supply Pressure	min. 11.0" w.c. max. 14.0" w.c.
Manifold Pressure (High)	10.5" w.c.
Manifold Pressure (Low)	2.9" w.c.

Gas Pipe Pressure Testing

The appliance must be isolated from the gas supply piping system by closing its individual manual shut-off valve during any pressure testing of the gas supply piping system at test pressures equal to or less than 1/2 psig. (3.45 kPa). Disconnect piping from valve at pressures over 1/2 psig.

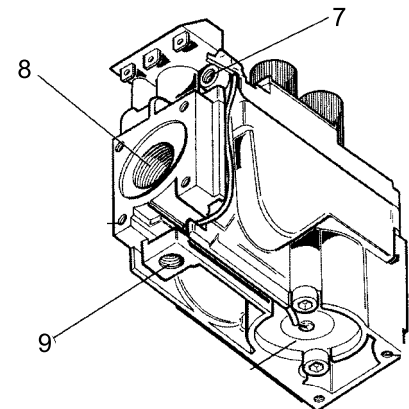
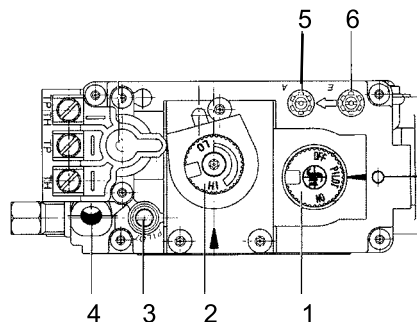
The manifold pressure is controlled by a regulator built into the gas control, and should be checked at the pressure test point.

Note: To properly check gas pressure, both inlet and manifold pressures should be checked using the valve pressure ports on the valve.

1. Make sure the valve is in the "OFF" position.
2. Loosen the "IN" and/or "OUT" pressure tap(s), turning counterclockwise with a 1/8" wide flat screwdriver.
3. Attach manometer to "IN" and/or "OUT" pressure tap(s) using a 5/16" ID hose.
4. Light the pilot and turn the valve to "ON" position.
5. The pressure check should be carried out with the unit burning and the setting should be within the limits specified on the safety label.
6. When finished reading manometer, turn off the gas valve, disconnect the hose and tighten the screw (clockwise) with a 1/8" flat screwdriver.
Note: Screw should be snug, but do not over tighten.

SIT 820 Valve Description

- 1) Gas on/off knob
- 2) Manual high/low adjustment
- 3) Pilot Adjustment
- 4) Thermocouple Connection - option
- 5) Outlet Pressure Tap
- 6) Inlet Pressure Tap
- 7) Pilot Outlet
- 8) Main Gas Outlet
- 9) Alternative TC Connection Point



installation

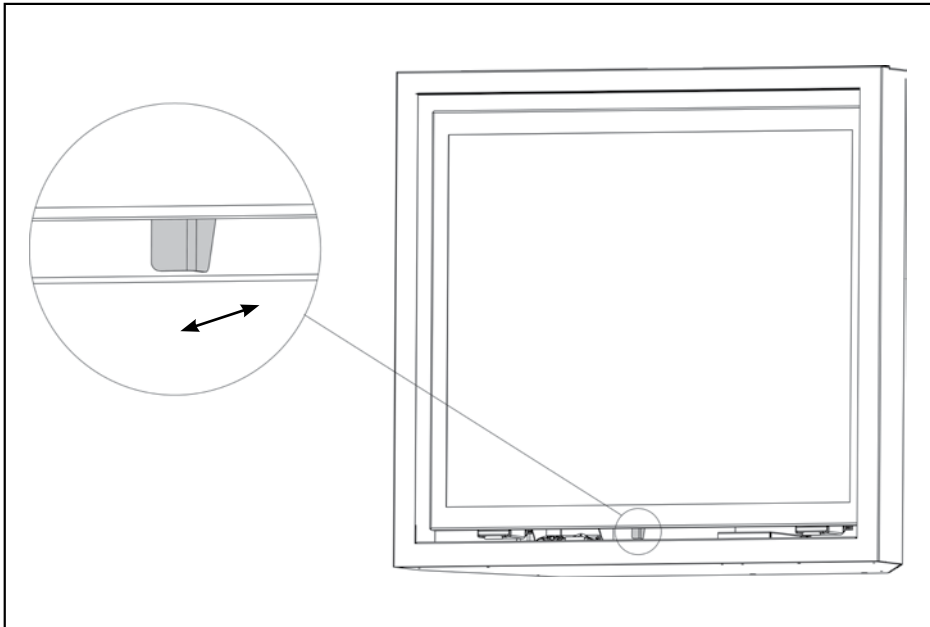
Aeration Adjustment

The burner aeration is factory set but may need adjusting due to either the local gas supply or altitude. Open the air shutter for a blue flame or close for a more yellow flame.

CAUTION: Carbon will be produced if air shutter is tightly closed.

Note: Any damage due to carboning resulting from improperly setting the aeration controls is NOT covered under warranty.

Pull lever forward to open - push back to close.



Minimum Air Shutter Opening:

NG	1/8" (3 mm)
LP	3/16" (5 mm)

Air shutter lever - located in the center of the unit under the firebox

Electrical Access and Installation



The electrical access panel is on the right side of the unit (when facing the front of unit).

1. Remove panel by removing three (3) screws.
2. Remove center knockout to run cable through the access panel and install supplied clamp.
3. Attach wires from cable to supplied white receptacle and secure to gang box. Screw the receptacle cover to gang box. Reinstall panel by removing three (3) screws.
4. The 120 volt power cord supplied with appliance will need to be plugged into the receptacle only once the install is complete.

Optional Wall Thermostat (Part #910-407)

A wall thermostat may be installed if desired, connect the wires as per the wiring diagram. Use table below to determine the maximum wire length.

Note: Preferable if the thermostat is installed on an interior wall.

Regency® offers an optional programmable thermostat, but any 910-404\P thermostat that is UL approved may be used.

CAUTION
Do not wire millivolt wall thermostat wires to 120V wire.

Thermostat Wire Table

Recommended Maximum Lead Length (Two-Wire) When Using Wall Thermostat (CP-2 System)	
Wire Size	Max. Length
14 GA.	50 Ft.
16 GA.	32 Ft.
18 GA.	20 Ft.
20 GA.	12 Ft.
22 GA.	9 Ft.

Optional Remote Control (Part # 946-704)

Use the Regency® Remote Control Kit approved for this unit. Use of other systems may void your warranty.

The remote control kit comes with a hand held transmitter, a receiver and a wall mounting plate.

- 1) Connect the two wires as per wiring diagrams.

CAUTION
Do not wire millivolt remote control wires to 120V wire.

- 3) Install 3 AAA alkaline batteries in the transmitter and 4 AA alkaline batteries in the receiver and follow the instructions that came with the remote control.

Optional Wall Switch (Not Supplied by Regency)

- 1) Run the supplied 10' of wire through the right or left side gas inlet opening. Be careful not to damage wire.

Note: We recommend a maximum of 10' of wire but if you wish to go with a longer run, use the Thermostat Wire Table.

- 2) Connect the wire to a wall switch and install into the receptacle box. Also attach wires to the valve as shown on wiring diagrams.

CAUTION
Do not wire millivolt wall switch wire to 120V wire.

installation

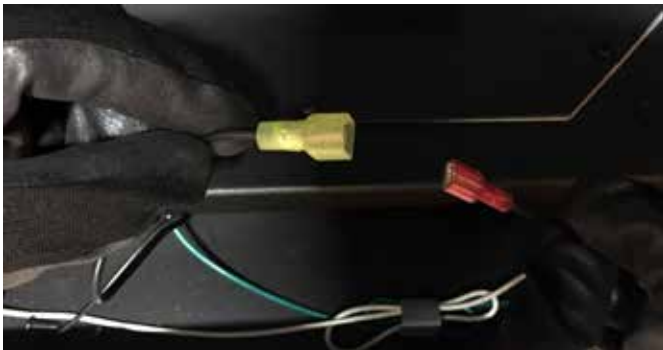
Installing an Optional Wall Switch (Not Offered by Regency) or Thermostat (Part # 910-407 or 910-404/P)

A wall-mounted On/Off switch or Thermostat may be used to operate the on/off functionality of the main burner. External electricity is only required to operate the convection fan, and is not required to operate the fireplace. The millivolt gas control system uses the pilot flame to generate enough electricity to operate the main burner. To install a wall switch or thermostat, follow the directions below.

1. Remove safety screen, glass door and bottom cover panel (see manual for details).
2. Locate the black wire running from the valve to the unit on/off switch. Unclip the wire holder clip and remove the black wire from the clip.



3. Break the connection between the inline wire connectors on the black wire. The wall switch or thermostat wiring will run to these two connectors.



4. Route the wiring for your wall switch or thermostat from the wire connectors through the hole on the right side of the unit, using the supplied black plastic strain relief to secure the wiring as it passes through the unit.



5. Install the wall mounted on/off switch or thermostat as per local electrical code requirements.

Refer to the manual for the full wiring diagram.

Wiring Diagram With and Without Thermostat/Remote Control

WARNING

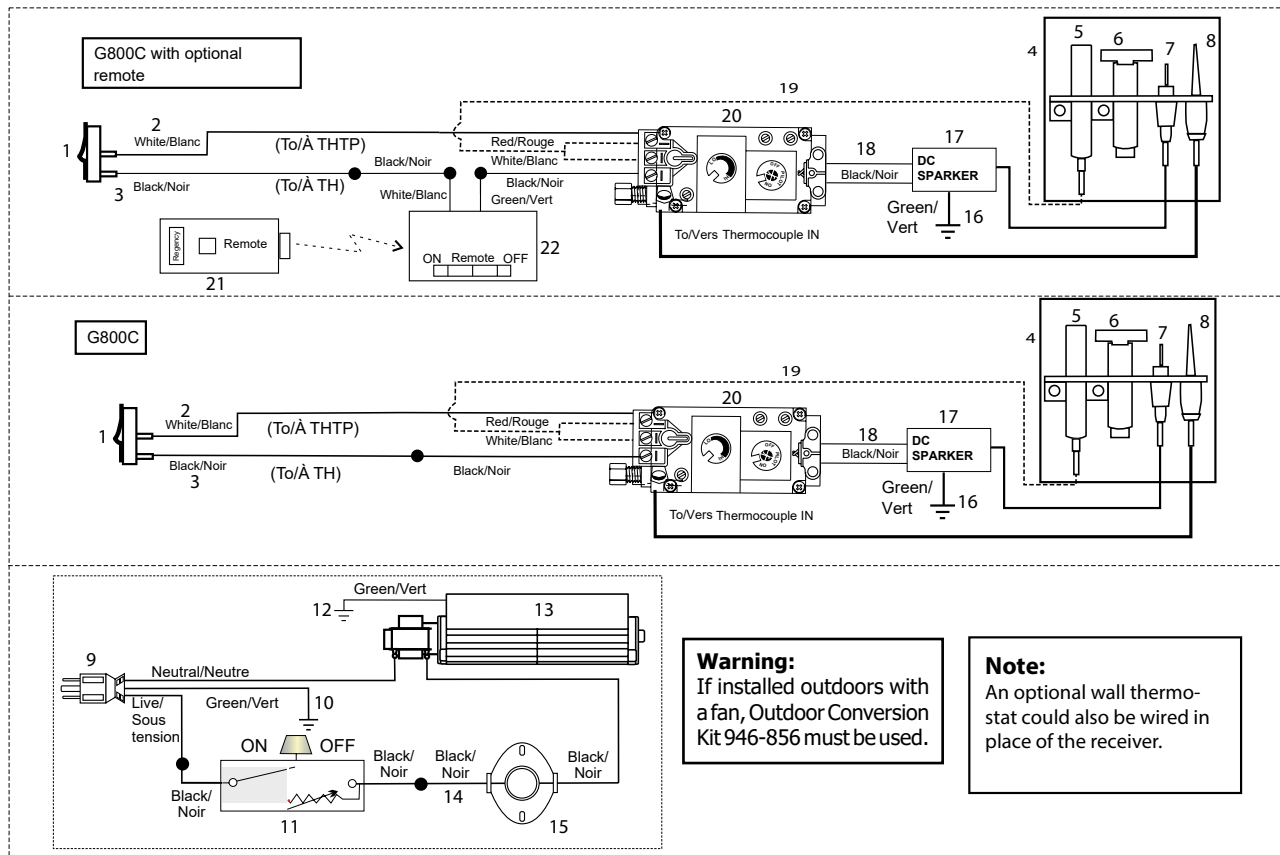
Electrical Grounding Instructions

This appliance is equipped with a three pronged (grounding) plug for your protection against shock hazard. Plug it into a properly grounded three-prong receptacle. Do not cut or remove the grounding prong from this plug.

This heater does not require a 120V A.C. supply. In case of a power failure, it will continue to operate using the on/off switch provided.

CAUTION

Label all wires prior to disconnection when servicing controls. Wiring errors can cause improper and dangerous operation. Verify proper operation after servicing. Ensure that the wires do not touch a hot surface and are away from sharp edges.



Warning:
If installed outdoors with a fan, Outdoor Conversion Kit 946-856 must be used.

Note:
An optional wall thermostat could also be wired in place of the receiver.

Item	Part #	Description
1	911-314	Two-Way Switch
2	910-805	White Wire
3	911-313	Black Wire
4		Pilot Assembly
	910-038/P	NG
	910-039/P	LP
	W840470	Pilot Assembly Gasket (not shown)
5	910-341	Thermopile
6	910-096	Three-Way Pilot Hood
7	910-030	Electrode
8	910-386	Thermocouple
9	911-159	120 V AC Power Cord
10	910-692	Green Ground Wire
11	910-412	Rotary Speed Control

Item	Part #	Description
12	910-962	Ground Wire
13	911-290/P	Fan
14	910-811	Black Wire
15	910-142	Fan Thermodisc (normally open)
16	910-692	Ground Wire
17	910-073	DC Spark Box
18	910-074	Spark Generator c/w Switch
19	911-240	Brown Wire
20	910-478	S.I.T. Valve NG/LP 820
21	910-592-OFT	Remote Transmitter (optional)
22	911-338/P	Remote Receiver (optional)
	910-407	Wall Thermostat (optional)
	910-404/P	Programmable Wall Thermostat (optional)

installation

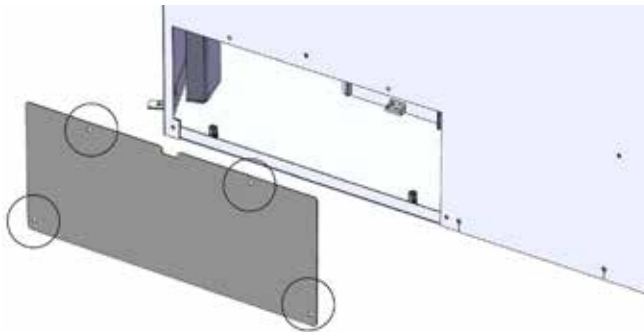
Installing the Optional Fan (Part #761-979)

Important: 120 Volt AC power is needed for the blower. The receptacle box will be installed on the right hand side of the unit and will need to be wired by a qualified electrician prior to fan assembly being installed. The neutral (wider) slot of the polarized receptacle should be at the top.

Warning: If installed outdoors with a fan, Outdoor Conversion Kit 946-856 must be used.

Unit must be grounded at all times. Do not cut the ground terminal off under any circumstances.

1. Shut the power off.
2. Remove the safety screen, glass door and bottom cover panel (see unit manual for details).
3. From the back of the unit - remove 4 screws from the fan access panel (locations shown below).



4. Push fan speed control module towards the front of the unit (this will later be screwed in place from the front) and attach thermidisc cage to bracket on the underside of the firebox.



5. Push power cord and ground wire towards front of unit. Connect two green ground wires to ground lug, accessed from the front of the unit. Refer to wiring diagram.



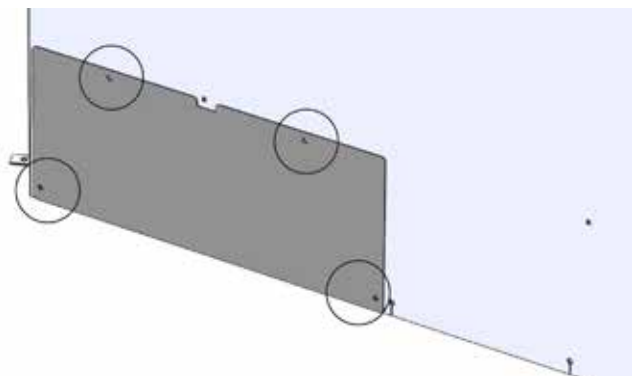
6. Secure fan speed control module in place with 2 screws.



7. Install fan assembly onto pins on unit floor.



8. Secure fan access panel back onto the unit with 4 screws.



9. Plug power cord into unit electrical outlet.



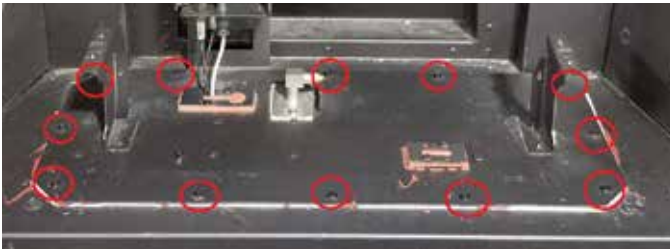
Fan Install After Unit Installation

The fan may be installed after the unit has been installed and finished. Ensure the unit is turned off and has cooled to room temperature.

1. Remove the screen, glass door, and bottom cover panel (see manual for instructions).
2. Remove any media already installed (logs, glass ,etc.) and set aside.
3. Remove the log grate if installed.
4. Remove the burner by removing 3 screws.
5. Remove the ember media tray with 2 screws.



6. Remove the fan access panel by removing 12 screws.



7. Connect the 2 fan ground wires to the unit ground lug and secure the fan speed control module with 2 screws (see steps 4-5 from previous page). Tidy ground wires with provided plastic wire clip.
8. Install fan onto pins at the back right of the unit floor. Push down on the front of the fan bracket to raise the back of the fan assembly onto the pins.



9. Attach thermodisc cage to the bracket on the underside of the fan access panel.



10. Reinstall all removed components by reversing steps 1-6.
11. Plug fan power cord into unit electrical outlet (see step 8 from previous page)

TO REMOVE THE FAN

1. Shut the power off.
2. Reverse the above instructions.

Note: The bearings are lubricated for life. Do not lubricate them. Make sure you vacuum the fan area on a regular basis.

IMPORTANT:

These fans collect a lot of dust from within your home. Ensure you maintain these fan motors on a regular basis by vacuuming our the fan blades and housing using a soft brush nozzle.

Warning: If installed outdoors with a fan, Outdoor Conversion Kit 946-856 must be used.

installation

Fan Wall Control Installation Kit (Part # 761-974)

The fan may be installed with the optional Wall Control Kit (761-974), which allows the fan speed control module located inside the unit to be replaced by a wall mounted fan speed control.

WALL CONTROL KIT MUST BE INSTALLED DURING UNIT INSTALLATION STAGE.

1. Connect the supplied speed control switch and unit receptacle to the 120V mains power supply by following the wiring diagram as shown.

2. Remove the fan speed control module from the fan kit by breaking the connection of the wires at the connectors shown below. Discard the fan speed control module.



Item	Part No.	Description
1	910-367	Junction Box
2	910-412	Speed Contron Switch w/Lead Wires
3	910-417	White Knob
4	N/A	Wire Nuts
5	910-366	White Faceplate
6	N/A	14 AWG Wire*
7	910-687	Wire Clamp
8	910-429	Receptacle Box Inside Stove
9	910-428	Receptacle (dedicated use by stove fan)
10	N/A	Copper Ground Wire*
11	N/A	White Wire (Neutral)*
12	N/A	Black Wire (Hot)*
13	N/A	14 AWG Wire*

*Not supplied by Regency.

Item	Part No.	Description
1	911-159	Power Cord
2	910-692	Green Ground Wire
3	911-290/P	Fan
4	911-240	Brown Connector Cable
5	910-896	Black Wire
6	910-142	Fan Thermodisc
7	910-811	Black Wire

3. Reconnect the wires at connectors where the fan speed control module was previously located by using the supplied connector cable, as shown.



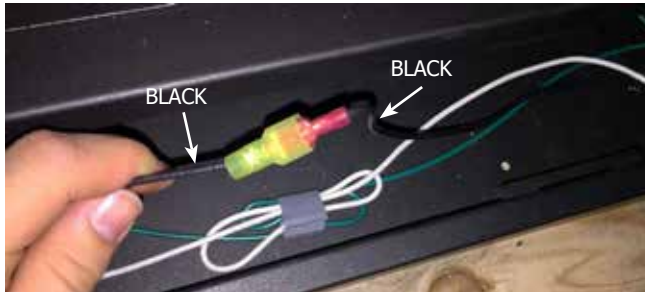
4. Install the fan kit as shown in the unit manual, disregarding the steps involving the fan speed control module.

installation

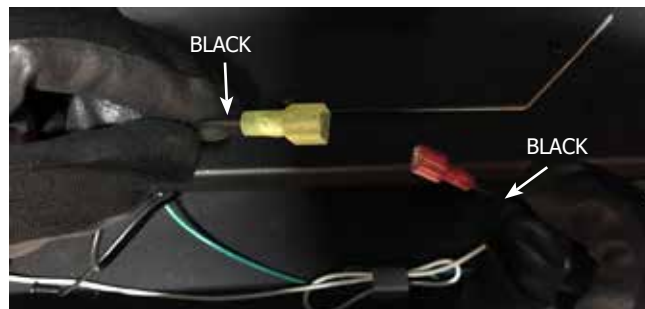
Optional On/Off Remote Kit Installation (Part # 946-704)

An optional on/off remote and receiver may be installed in the unit.

1. Connect the supplied speed control switch and unit receptacle to the 120V mains power supply by following the wiring diagram as shown.
2. Install 4 x AA batteries into the remote receiver and 3 x AAA batteries into the remote control.
3. Locate the black wire running from the valve to the unit on/off switch. Unclip the wire holder clip and remove the black wire from the clip.



4. Break the connection between the inline wire connectors on the black wire.



5. Connect the two connectors on the black wire to the two wires from the remote receiver, as shown.



6. Put the receiver in position in the holder bracket beneath the firebox, to the right of the DC Sparker and Fan Speed Control Module (if installed). Secure with supplied velcro strips.



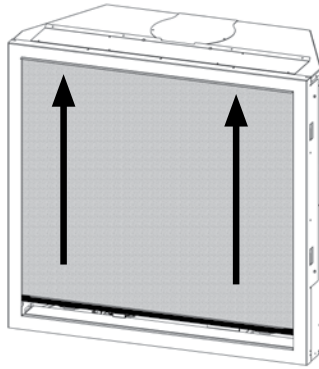
7. Tidy the wires together and secure wires back into the wire holder clip.



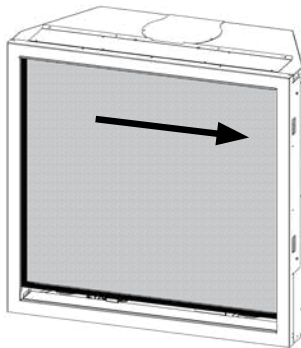
NOTE: The remote receiver may be installed as a wall mounted switch if required. A wall mount cover plate is provided with the receiver. See instructions in this manual for Installing an Optional Wall Switch of Thermostat.

Safety Screen Removal

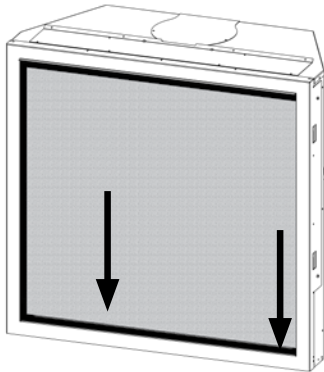
1. Slide screen up.



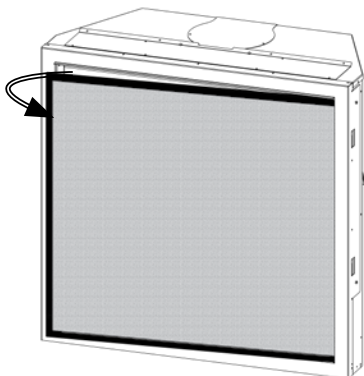
2. Slide screen right.



3. Lower screen down.



4. Swing screen outwards while keeping the screen level and remove.



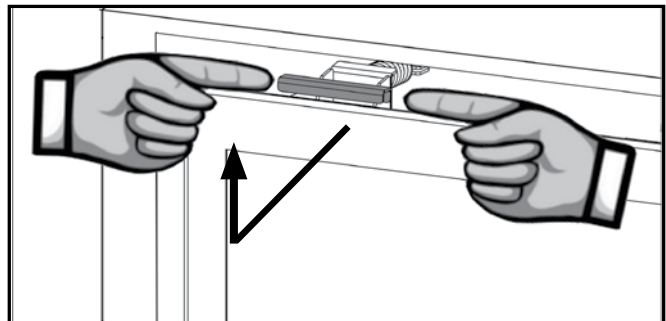
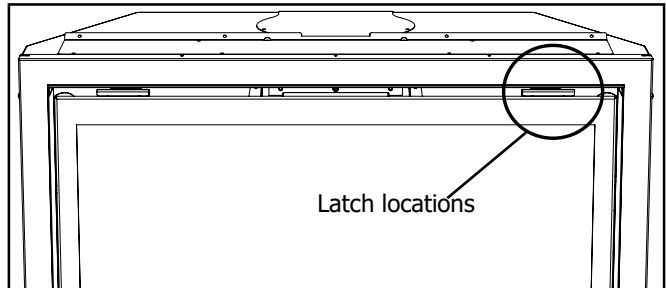
Safety Screen Installation

1. **To install the safety screen**—Reverse steps above.

Glass Door Removal

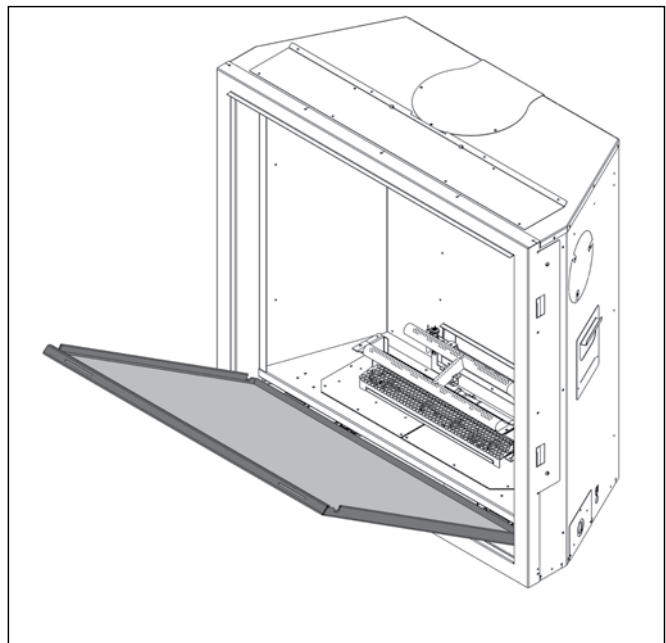
1. To remove the glass door - place both hands on either side of the latch. Pull forward then up to unlock, repeat on opposite side.

Important: After releasing the latches, support the weight of the door.



2. With both latches released, support the door with both hands and tilt out to approximately a 60 degree angle.

3. Lift the door up and out of lower slots to remove.



Glass Door Installation

1. **To install the door**—Reverse steps above.

operating instructions

Operating Instructions

1. Read and understand these instructions before operating this appliance.
2. Check to see that all wiring is correct and enclosed to prevent possible shock.
3. Check to ensure there are no gas leaks.
4. Make sure the glass in the glass door frame is properly positioned. Never operate the appliance with the glass removed.
5. Verify that the venting and cap are unobstructed.
6. The unit should never be turned off, and on again without a minimum of a 60 second wait.

First Fire

The **FIRST FIRE** in your heater is part of the paint curing process. To ensure the paint is properly cured, it is recommended you burn your fireplace for at least four (4) hours the first time.

When first operated, the unit will release an odour caused by the curing of the paint and the burning off of any oils remaining from manufacturing. Smoke detectors in the house may go off at this time. Open a few windows to ventilate the room for a couple of hours. The glass may require cleaning.

NOTE: When the glass is cold and the appliance is lit, it may cause condensation and fog the glass. This condensation is normal and will disappear in a few minutes as the glass heats up.

DO NOT ATTEMPT TO CLEAN THE GLASS WHILE IT IS STILL HOT!

DO NOT BURN THE UNIT WITHOUT THE GLASS DOOR IN PLACE.

During the first few fires, a white film may develop on the glass front as part of the curing process. The glass should be cleaned after the unit has cooled down or the film will bake on and become very difficult to remove. Use a non-abrasive cleaner and DO NOT ATTEMPT TO CLEAN THE GLASS WHILE IT IS HOT.

Normal Operating Sounds of Gas Appliances

It is possible that you will hear some sounds from your gas appliance. This is perfectly normal due to the fact that there are various gauges and types of steel used within your appliance. Listed below are some examples. All are **normal operating sounds** and should not be considered as defects in your appliance.

Burner Tray:

The burner tray is positioned directly under the burner and is made of a different gauge material from the rest of the firebox and body. Therefore, the varying thicknesses of steel will expand and contract at slightly different rates which can cause "ticking" and "cracking" sounds. You should also be aware that as there are temperature changes within the unit these sounds will likely re-occur. Again, this is normal for steel fireboxes.

Pilot Flame:

While the pilot flame is on it can make a very slight "whisper" sound.

Gas Control Valve:

As the gas control valve turns ON and OFF, a dull clicking sound may be audible, this is normal operation of a gas regulator or valve.

Unit Body/Firebox:

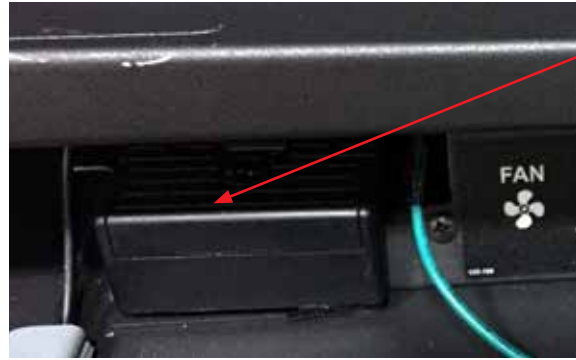
Different types and thicknesses of steel will expand and contract at different rates resulting in some "cracking" and "ticking" sounds will be heard throughout the cycling process.

DC Spark Igniter Battery Installation/Replacement

1. Remove screen. See instructions in this manual on screen removal.
2. Locate DC sparker box (see diagram 2) located on right-hand side of the gas valve.
3. Install the supplied AA alkaline battery into the DC sparker box by opening the battery compartment door.

NOTE: The AA battery in the DC sparker box will need to be replaced annually. If the AA battery is weak, the pilot cannot be lit when depressing the pilot knob on the gas valve.

4. Follow the same steps to replace AA battery.



Remove battery compartment door to install/replace AA battery

Copy of Lighting Plate Instructions

FOR YOUR SAFETY READ BEFORE LIGHTING POUR VOTRE SÉCURITÉ – À LIRE AVANT LA MISE EN MARCHÉ

WARNING: If you do not follow these instructions exactly, a fire or explosion may result causing property damage, personal injury or loss of life. Improper installation, adjustment, alteration, service or maintenance can cause injury or property damage. Refer to the owner's information manual provided with this appliance. For assistance or additional information consult a qualified installer, service agency or gas supplier.

AVERTISSEMENT. Quiconque ne respecte pas à la lettre les instructions dans la présente notice risquera de déclencher un incendie ou une explosion entraînant des dommages, des blessures ou la mort. Une installation, d'ajustement, de modification, de service ou d'entretien peut provoquer des blessures ou des dommages matériels. Reportez-vous au manuel du propriétaire fourni avec cet appareil. Pour obtenir de l'aide ou des informations supplémentaires consulter un installateur qualifié, une agence de service ou fournisseur de gaz.

- A) This appliance has a pilot that must be lighted by hand. When lighting the pilot, follow these instructions exactly.
- B) **BEFORE LIGHTING** smell all around the appliance area for gas. Be sure to smell next to the floor because some gas is heavier than air and will settle on the floor.
- WHAT TO DO IF YOU SMELL GAS**
- Do not try to light any appliance.
 - Do not touch any electric switch, do not use any phone in your building.
 - Leave the building immediately.
 - Immediately call your gas supplier from a neighbour's phone. Follow the gas supplier's instructions.
 - If you cannot reach your gas supplier, call the fire department.
- C) Use only your hand to push in or turn the gas control knob. Never use tools. If the knob will not push in or turn by hand, do not try to repair it; call a qualified service technician. Force or attempted repair may result in a fire or explosion.
- D) Do not use this appliance if any part has been under water. Immediately call a qualified service technician to inspect the appliance and replace any part of the control system and any gas control which has been under water.
- A) Cet appareil est muni d'une veilleuse qui doit être allumée manuellement. Respectez les instructions ci-dessous à la lettre.
- B) **AVANT LA MISE EN MARCHÉ,** reniflez tout autour de l'appareil pour détecter une odeur de gaz. Reniflez au niveau du plancher, car certains gaz sont plus lourds que l'air et peuvent s'accumuler au niveau du sol.

QUE FAIRE SI VOUS SENTEZ UNE ODEUR DE GAZ :

- Ne tentez pas d'allumer l'appareil
 - Ne touchez à aucun interrupteur; n'utilisez pas de téléphones se trouvant dans le bâtiment.
 - Sortez du bâtiment immédiatement
 - Appelez immédiatement votre fournisseur de gaz depuis un téléphone extérieur. Suivez les instructions du fournisseur.
 - Si vous ne pouvez pas rejoindre le fournisseur, appelez le service incendie.
- C) Ne poussez ni ne tournez la manette d'admission du gaz qu'à la main. Ne jamais employer d'outil à cette fin. Si la manette reste coincée, ne tentez pas de la réparer; appelez un technicien qualifié. Quiconque tente de forcer la manette ou de la réparer peut provoquer une explosion ou un incendie.
- D) N'utilisez pas cet appareil s'il a été plongé dans l'eau, même partiellement. Faites inspecter l'appareil par un technicien qualifié et remplacez tout élément du système de contrôle ou de commande qui a été plongé dans l'eau.

CAUTION: Hot while in operation. Do not touch. Severe burns may result. Due to high surface temperatures keep children, clothing and furniture, gasoline and other liquids having flammable vapors away. Keep burner and control compartment clean. See installation and operating instructions accompanying appliance.

ATTENTION : Surfaces chaudes lorsque l'appareil est en marche. Ne pas toucher. Risque de brûlures graves. En raison des températures élevées, les enfants, les vêtements et le mobilier, le carburant et tout autre liquide aux vapeurs inflammables doivent être tenus éloignés de l'appareil. Nettoyer régulièrement le brûleur et le compartiment des commandes. Voir les consignes d'installation et d'utilisation fournies avec l'appareil.

LIGHTING INSTRUCTIONS / CONSIGNES D'ALLUMAGE

- 1) **STOP! Read the safety information above on this label.**
- 2) Push in gas control knob slightly and turn clockwise to "OFF". Knob cannot be turned from "PILOT" to "OFF" unless knob is pushed in slightly. Do not force.



- 3) Wait five (5) minutes to clear out any gas. If you then smell gas STOP! Follow step "B" in the Safety Information above on this label. If you don't smell gas, go to the next step.
- 4) Push in gas control knob slightly and turn counterclockwise to "PILOT" position.
- 5) Push in control knob all the way and hold in until the pilot lights. Continue to hold the control knob in for about 20 seconds after the pilot lights. Release the knob.
- 6) Push in gas control knob slightly and turn counterclockwise to "ON" position.
- 7) Turn on the flame switch.



- 1) **STOP ! Lire les instructions de sécurité sur la portion supérieure de cette étiquette.**
- 2) Enfoncer légèrement le bouton de commande de gaz et tournez dans le sens horaire en position OFF. Le bouton ne peut pas être tourné du PILOT à OFF à moins que le bouton soit enfoncé légèrement. Ne forcez pas.
- 3) Attendre cinq (5) minutes pour laisser échapper tout le gaz. Si vous sentez une odeur de gaz, ARRÊTEZ! Passez à l'étape "B" des instructions de sécurité sur la portion supérieure de cette étiquette. S'il n'y a pas d'odeur de gaz, passez à l'étape suivante.
- 4) Enfoncer légèrement le bouton de commande de gaz et tournez dans le sens antihoraire en position PILOT.
- 5) Pousser le bouton de commande de gaz à fond et le maintenir enfoncé jusqu'à ce que la veilleuse s'allume. Maintenir le bouton de commande de gaz enfoncé pendant environ 20 secondes après l'allumage de la veilleuse. Relâcher le bouton de commande de gaz.
- 6) Enfoncer légèrement le bouton de commande de gaz et tourner dans le sens antihoraire en position 'ON'.
- 7) Actionner l'interrupteur de flamme.



TO TURN OFF GAS TO APPLIANCE / POUR COUPER LE GAZ AU NIVEAU DE L'APPAREIL

- 1) Turn off the flame switch.
- 2) Push in the gas control knob slightly and turn clockwise to "OFF". Do not force.
- 3) Turn off all electric power to the appliance if service is to be performed. You may shut off the pilot during prolonged non use periods to conserve fuel.
- 1) Fermer l'interrupteur de flamme.
- 2) Enfoncer légèrement le bouton de commande de gaz et tournez dans le sens horaire en position OFF. Ne pas forcer.
- 3) Avant d'effectuer des opérations d'entretien, couper l'alimentation électrique de l'appareil. Pour économiser le carburant, vous pouvez éteindre la veilleuse lorsque l'appareil reste longtemps inutilisé.

DO NOT REMOVE THIS INSTRUCTION PLATE

NE PAS ENLEVER CETTE ÉTIQUETTE D'INSTRUCTIONS

920-181a

Maintenance Instructions

1. Always turn off the gas valve before cleaning. For relighting, refer to lighting instructions. Keep the burner and control compartment clean by brushing and vacuuming at least once a year. When cleaning the logs, use a soft clean paint brush as the logs are fragile and easily damaged.
2. Clean appliance and door with a damp cloth (never when unit is hot). Never use an abrasive cleaner. The glass should be cleaned with a gas fireplace glass cleaner. The glass should be cleaned when it starts looking cloudy.
3. The heater is finished in a heat resistant paint and should only be refinished with heat resistant paint. Regency® uses StoveBright Paint - Metallic Black #6309.
4. Make a periodic check of burner for proper position and condition. Visually check the flame of the burner periodically, making sure the flames are steady; not lifting or floating. If there is a problem, call a qualified service person.
5. The appliance and venting system must be inspected before use, and at least annually, by a qualified field service person, to ensure that the flow of combustion and ventilation air is not obstructed.

Note: Never operate the appliance without the glass properly secured in place.

6. Do not use this appliance if any part has been under water. Immediately call a qualified service technician to inspect the appliance and to replace any part of the control system and any gas control which has been under water.
7. In the event this appliance has been serviced check that the vent-air system has been properly resealed & reinstalled in accordance with the manufacturer's instructions.
8. Verify operation after servicing.

General Vent Maintenance

Conduct an inspection of the venting system semi-annually. Recommended areas to inspect as follows:

1. Check the Venting System for corrosion in areas that are exposed to the elements. These will appear as rust spots or streaks, and in extreme cases, holes. These components should be replaced immediately.
2. Remove the Cap, and shine a flashlight down the Vent. Remove any bird nests, or other foreign material.

3. Check for evidences of excessive condensation, such as water droplets forming in the inner liner, and subsequently dripping out the joints. Continuous condensation can cause corrosion of caps, pipe, and fittings. It may be caused by having excessive lateral runs, too many elbows, and exterior portions of the system being exposed to cold weather.
4. Inspect joints, to verify that no pipe sections or fittings have been disturbed, and consequently loosened. Also check mechanical supports such as Wall Straps, or plumbers' tape for rigidity.

Log Replacement

The unit should never be used with broken logs. Turn off the gas valve and allow the unit to cool before opening door and carefully remove the logs. (The pilot light generates enough heat to burn someone.) If for any reason a log should need replacement, you must use the proper replacement log. The position of these logs must be as shown in the Diagrams under Log Installation.

Note: Improper positioning of logs may create carbon build-up and will severely alter the unit's performance which is not covered under warranty.

Glass Gasket

If the glass gasket requires replacement use a tadpole glass gasket (Part #846-695).

Door Glass

Your Regency® fireplace is supplied with high temperature 5mm-Ceramic glass. If your glass requires cleaning, we recommend using an approved glass cleaner available at all authorized dealers. Do not use abrasive materials.

CAUTION & WARNINGS:

- * Do not clean when the glass is hot.
- * The use of substitute glass will void all product warranties.
- * Care must be taken to avoid breakage of the glass.
- * Do not strike or abuse the glass.
- * Do not operate this fireplace without the glass front or with a cracked or broken glass front.
- * Wear gloves when removing damaged or broken glass.
- * Replacement of the glass panels should be done by a licensed or qualified service person.

Glass Replacement

In the event that you break your glass by impact, purchase your replacement from an authorized Regency dealer only. Replacement glass (Part #940-506/P) is shipped already installed into the door frame. Reinstall as per Glass Door Installation in the "Glass Door Removal" section.

maintenance

Valve Replacement

Removing Valve

1. **Shut off the gas and electrical supply.**
2. Remove the safety screen.
3. Remove the glass door.
4. Remove the logs and glass.
5. Remove the log grate assembly by removing 2 screws and sliding tray forward to remove.



Diagram 1: Remove left and right screws.

6. Remove lower (brick or enamel) panel.
7. Remove 3 screws securing the burner and then slide the burner assembly to the right to release it from the orifice, then lift it out



Diagram 2

8. Remove 2 screws securing the fan access (Diagram 3).



Diagram 3

9. Disconnect the inlet gas line.

10. Disconnect the two switch wires from the valve, as shown below.



Diagram 4

Switch wires

11. Disconnect spark electrode from DC sparker box, as shown below.



Electrode wire

Diagram 5

12. Remove the 12 screws securing the valve tray assembly in place (Diagram 6) and then lift out entire assembly.

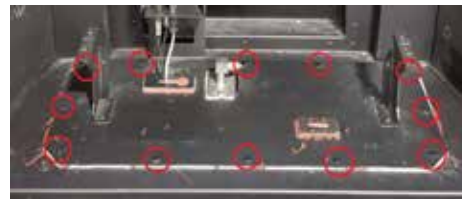


Diagram 6

13. Remove Philips head screws securing DC sparker box, as shown below.

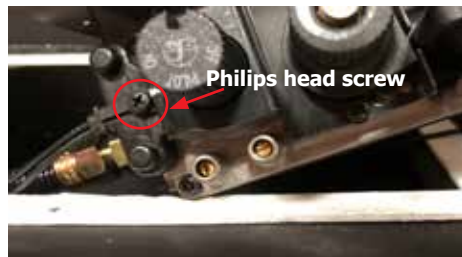
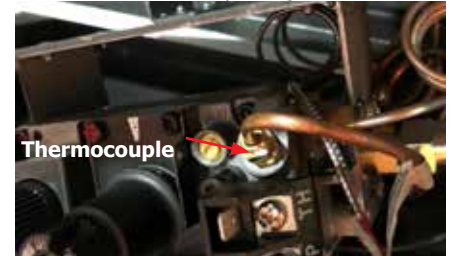


Diagram 7

Replacing Thermocouple

1. Follow steps 1-13 for replacing valve.
2. Disconnect thermocouple at gas valve.



Thermocouple

3. Disconnect thermocouple at pilot assembly end.
4. Replace thermocouple.
5. Reverse steps 1-13.

Gas Appliance Maintenance

In order for your Regency appliance to continue to provide comfort to your home periodic maintenance must be performed to ensure it is operating at peak efficiency. The items in the list should be checked by a licensed gas service technician during the annual service check. Your unit may require more frequent maintenance checks if you notice any changes in how it operates. Operational changes to look for can include, but are not limited to, extended start up time, increased fan noise, residue/carbon build up, white build up on the glass/firebox, increased operating noise etc. Should any of these or other conditions arise, discontinue use and schedule a service check with your local licensed gas technician. The list below shows items your licensed service technician will need to check and service at least annually.

Clean

- Glass
- Interior bricks / panels
- Burner ports & burner air shutter
- Fan blades
- Log set
- Pilot orifices
- Pilot hood (change as needed)
- Flame sensor (electronic ignition models)
- Flame electrode
- Burner orifice
- Thermocouple (millivolt models)
- Thermopile (millivolt models)

Inspect

- Pilot assembly
- Burner
- Pressure relief gaskets/doors
- Flue connector gasket if present
- Door seal
- Firebox
- Venting
- Batteries (remote handheld, remote receiver, DC sparker, change as needed)
- Burner media (change as needed)
- Air shutter setting
- Wiring

Check

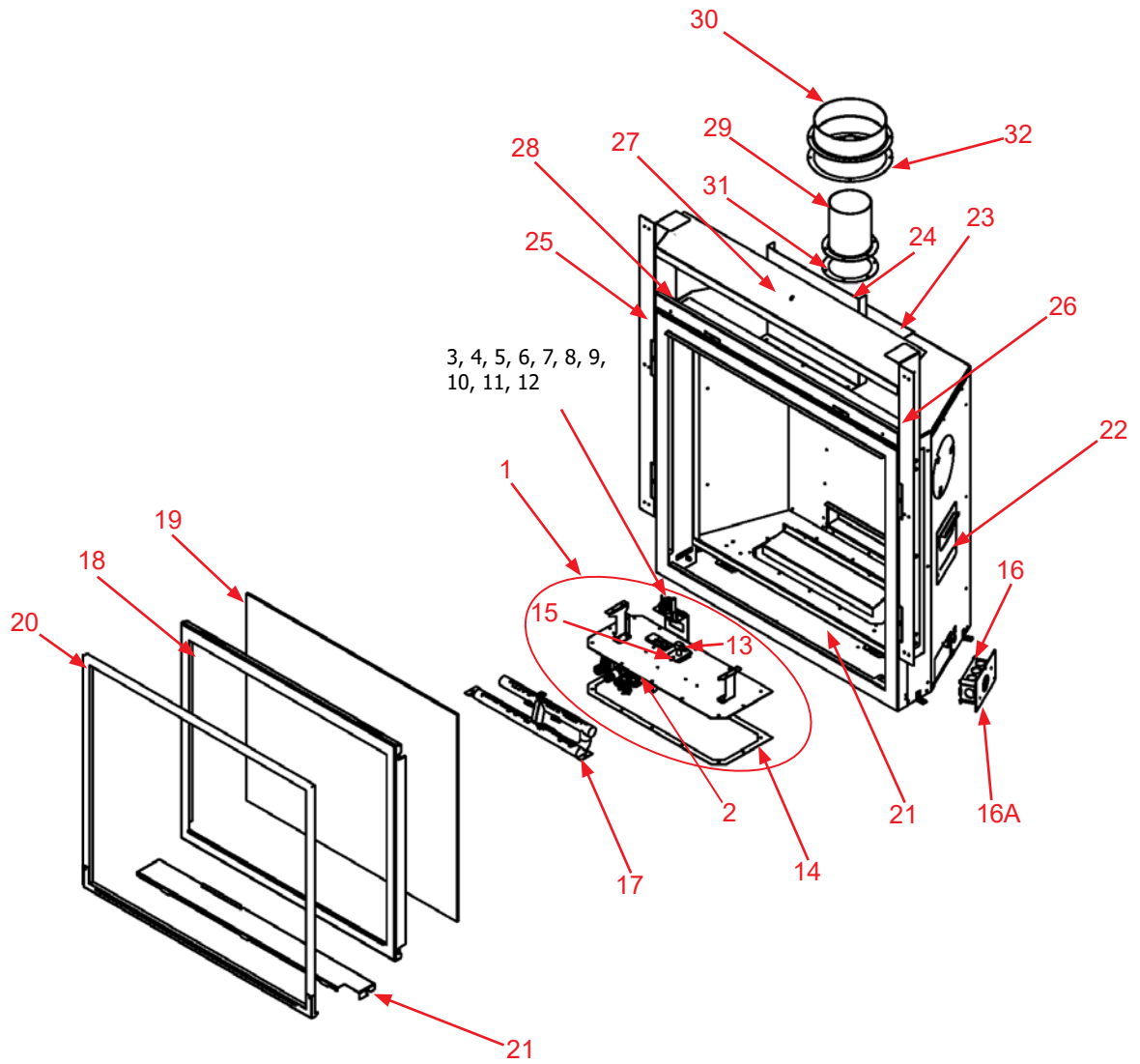
- Voltage on thermocouple/thermopile (millivolt models)
- Ohms reading on flame sense (electronic ignition models)
- Inlet/outlet fuel pressures as per rating plate
- Voltage/ohms readings on gas valve
- Ohms reading to on/off switch circuit (Millivolt models)

Gas Leak Tests

- Check main gas line connection to valve
- Check shut off valve connections
- Check connection at gas valve outlet
- Check connection at main burner orifice
- Check pilot fuel line at valve and at pilot assembly

parts list

Main Assembly



Parts

	Part #	Description
1	776-674/P	Valve Assembly - NG
1	776-676/P	Valve Assembly - LP
2	910-478	Novasit Valve Only - NG/LP 3.8"/11" *** 0.820.844
3	910-038/P	Novasit Pilot Assembly - NG
4	910-039/P	Novasit Pilot Assembly - LP
5	910-096	Novasit Pilot Hood 3 Way
6	910-432	Novasit Pilot Tubing With Nuts
7	911-137	Pilot Hood Clip
8	910-030	Novasit Electrode - Short
9	910-341	Robertshaw Thermopile
10	910-386	Quick Dropout Thermocouple
11	910-036	Orifice SIT Pilot - NG #51 977.165
12	910-037	Orifice SIT Pilot - LP #30 977.167
13	904-974	Burner Orifice #44 - NG (PO512)
13	904-977	Burner Orifice #55 - LP (PO512)
14	776-117	Valve Assembly Gasket
15	656-039	Gasket Orifice Mount
16	910-429	Receptacle Box Duplex Metal
16A	761-053	Receptacle Mounting Plate
17	776-525	Burner Assembly NG/LP c/w Cap
18	776-028	Door Frame Only
19	940-526/P	Replacement Glass (Includes Gasket) (Size : 23 5/8" H x 27 13/16" W)
20	776-109/P	Mesh Glass Guard
21	776-050	Front Cover Access Panel
22	761-021	Carry Handle (Each)
23	776-033	Exhaust Cover Plate
24	776-057	Top Vent Heat Shield
25	776-023	Nailing Standoff Flange L/H
26	776-024	Nailing Standoff Flange R/H
27	776-100	Deflector Header
28	776-101	Nailing Flange Top
29	761-103	Exhaust Flue Collar
30	761-104	Intake Flue Collar
31	761-105	Gasket Exhaust
32	761-106	Gasket Intake

N/S = Not Shown		
N/S	761-069	Pilot Shield
N/S	910-941	4 m.m. Valve Screw With Red O-Ring*****
N/S	910-940	Black Protective Cap ***
N/S	908-528	Label Propane Red
N/S	908-529	Label Natural Gas Yellow
N/S	904-529	Allen Key 5/32 Long
N/S	904-165	Fitting 3/8 Male Flarex Mpt Strt Adaptor
N/S	905-038	Bracket Dormont Orifice Mnt 10-BZ001-9
N/S	905-037	Inlet Flex Line Gas SS Steel 3/8" ODX 12 inch
N/S	910-073	Spark Generator Battery Holder
N/S	910-074	Spark Generator Switch - Comes With Wire
N/S	910-428	Receptacle Duplex White
N/S	910-430	Receptacle Cover Duplex Metal
N/S	911-314	2 Way Gold Contact Switch
N/S	910-421	Extension Knob Pilot On/Off 3 in 916.188
N/S	905-048	Gripper Clip (Pilot Knob)
N/S	911-290/P	Fan Motor Only (Includes Squirrel Cage)
N/S	910-330	Fan Speed Control Fan w/ Connectors
N/S	904-586	Fan Control Knob
N/S	911-159	Power Cord 120 Volt w/ Connector
N/S	910-412	Speed Control Fan c/w 6 inch Leads (Wall Mount)
N/S	910-417	Speed Control Knob White (Wall Mount)
N/S	910-366	Speed Control Cover Plate Switch White (Wall Mount)
N/S	910-367	Receptacle Plastic Switch (Wall Mount)
N/S	910-142	Fan Thermodisc 60T12 110 Degree F. 313147
N/S	910-811	Fan Wire - Grey
N/S	910-896	Fan Wire - Black
N/S	911-240	Fan Wire - Brown
N/S	910-692	Fan Wire - Green (Ground)
N/S	396-179	Pilot Assembly Gasket
N/S	396-178F	Pilot Assembly Plate
N/S	948-099	Spring Compression 3 inch Long Zinc Plated LC 085J 10 M
N/S	846-695	1-1/2" Alum F.Core Glass Tadpole Gasket Tape (11') (936-157)

parts list

N/S	846-696	Gasket Tape 2" Wide Graphite (8') (936-220)
N/S	904-691	Clip-U (Each)
N/S	776-115	Grate Assembly
N/S	946-779	Fireglass Ginger 3/4" in. 5Lb Pkg
N/S	902-059	Vermiculite 1/2 Cup Black Sea
N/S	902-060	Ember Black/White 10 Pcs
N/S	776-514	Log Support Brackets (Set Of 2)
N/S	776-063	Cool Wall Metal Sliding Piece
N/S	776-090F	Cool Wall Metal Cover Lower Piece
N/S	776-098F	Cool Wall Metal Cover Top Piece
N/S	776-026	Top Inner Baffle
N/S	761-024F	Air Intake Cover
N/S	761-025	Air Chamber Insulation Blanket
N/S	761-026	Outerbox Collar Perimeter Trim
N/S	776-131	Top Insulation
N/S	776-132	Top Front Insulation
N/S	776-133	Top Middle Insulation
N/S	761-505	Bottom Door Latch Assembly (Each)
N/S	761-506	Top Door latch Assembly (Each)
N/S	761-044F	Pressure Relief Spring Stopper
N/S	761-047F	Plate Light Gasket Clamping
N/S	761-049	Brick/Enamel Panel Clip (Each)
N/S	776-027	Restrictor Plate
N/S	761-107	Gasket Exhaust Cover Plate
N/S	761-108	Gasket Intake Cover Plate
N/S	776-130	Board Calcium Silicate (32 W"X13" H.)
N/S	776-064	Insulation Rear Enamel/Painted Panel

Optional Accessories

N/S	776-901	Brick Panel Standard Brown
N/S	776-903	Brick Panel Herringbone Brown
N/S	776-904	Brick Panel Castle Stone Grey
N/S	776-905	Brick Panel Standard Volcanic Black
N/S	776-907	Inner Panel Black
N/S	776-908	Inner Panel Black Enamel
N/S	761-979	Fan Kit
N/S	776-922	Faceplate Vignette Brush Nickel
N/S	776-924	Faceplate Vignette Metallic Black
N/S	776-928	Trim Finishing Black 3-Sided
N/S	776-929	Trim Finishing Clean Front Black 3-Sided
N/S	776-930	Log Set Oak Packaged
N/S	776-932	Log Set Birch Packaged
N/S	776-938	Log Grate & Ember Package
N/S	761-941	Chase Vent White
N/S	776-977	Conversion-LP
N/S	776-968	Conversion-NG
N/S	761-974	Fan Wall Control
N/S	946-704	Remote Control
N/S	761-937	Crystal Media Tray
N/S	946-556	HeatWave Duct Kit

Indoor Gas Product Warranty

Limited Lifetime Warranty

FPI Fireplace Products International Ltd. (for Canadian customers) and Fireplace Products US, Inc. (for US customers) (collectively referred to herein as “FPI”) extends this Limited Lifetime Warranty to the original purchaser of this Appliance provided the product remains in the original place of installation. The items covered by this Limited Lifetime Warranty and the period of such coverage are set forth in the table below.

An Appliance in this policy is defined as an Indoor Gas Fireplace, Indoor Gas Insert, Indoor Gas Freestanding Stove.

This Appliance has only been certified and listed for use indoors.

This Limited Lifetime Warranty starts on the day the Appliance was purchased.

The Limited Lifetime Warranty is not transferable, amendable or negotiable under any circumstances.

Indoor Gas Products Warranty Coverage Parts and Labor	Limited Lifetime	5 years	2 years	1 year	Subsidized Labor Coverage* (Years)
Firebox and Heat Exchanger	✓				3
Steel Burner Tube	✓				3
Glass Thermal breakage only	✓				3
All painted Surrounds/Inlays Finishes		✓			3
Brick Panels/Log sets/Ceramic Burners		✓			3
All Castings		✓			3
Valve assembly and all gas control components (Pilot assembly, flame sensors, Spark Electrode, Pilot Tubing, Orifices, Thermocouple, Thermopile)			✓		2
All Other Electrical components (Ignition Control Boards, Wiring, Switches, Blowers, Blower Control Module, Battery Pack, Remote Control Systems)			✓		2
Enamel Panels			✓		1
Venting/Venting Components			✓		1
All Stainless steel surrounds All black chrome Brushed nickel/Antique copper Faceplates/surrounds All Inner/Outer Black Glass panels				✓	1
All Firebox Media (Crystals, Fire beads, Volcanic, Ceramic, Spa Stones, River Pebbles)				✓	1
All hardware				✓	1
WIFI Dongle				✓	1
Mesh/Glass Safety Barriers				✓	1
Accent Light Bulbs				✓	1
Glass (Crazing)				✓	1

Note: Warranty coverage noted above may not be applicable as components/options vary based on appliance purchased.

Conditions:

Warranty protects against defect in manufacture or FPI factory-assembled components only, unless herein specified otherwise.

***This warranty does not cover dealer travel costs, mileage, fuel, tolls for diagnostic or service work. All labor rates paid to authorized dealers are subsidized, pre-determined rates. Dealers may charge you for travel and additional time beyond their subsidy.**

Any part(s) found to be defective during the warranty period as outlined above will be repaired or replaced at FPI's option through an accredited distributor, dealer or pre-approved and assigned agent; provided that the defective part is returned to the distributor, dealer or agent for inspection if requested by FPI. Alternatively, FPI may, at its discretion, fully discharge all of its obligations under warranty by refunding the verified purchase price of the product to the original purchaser. The purchase price must be confirmed by the original Bill of Sale. **The authorized selling dealer, or an alternative authorized FPI dealer if pre-approved by FPI, is responsible for all in-field diagnosis and service work related to all warranty claims. FPI is not responsible for results or costs of workmanship of unauthorized FPI dealers or agents in the negligence of their service work.**

At all times, FPI reserves the right to inspect reported in the field/on location complaints of products claimed to be defective before processing or authorizing any claim. Failure to allow this upon request will void the warranty.

All warranty claims must be submitted by the dealer servicing the claim, including a copy of the Bill of Sale (proof of purchase by you). All claims must be complete and provide full details as requested by FPI to receive consideration for evaluation. **Incomplete claims may be rejected.**

Replacement Appliances to the original purchaser are limited to one per warranty term. Appliances must be installed according to all manufacturers' instructions as per the manual. All Local and National required codes must be met.

The installer is responsible for ensuring the Appliance is operating as designed at the time of installation.

The original purchaser is responsible for the annual maintenance of the Appliance, as outlined in the owner's manual. As outlined below, the warranty may be voided due to problems caused by a lack of maintenance.

Purchased parts: Repair/replacement parts purchased by the consumer from FPI after the original coverage has expired on the Appliance will carry a **90-day** warranty from the purchase date, valid with a receipt only. Any item shown to be defective will be repaired or replaced at our discretion. No labor coverage is included with these parts.

Special Finishes - One year on brushed nickel, black chrome and antique copper faceplates/surrounds. You can expect some changes in color as the product "ages" with constant heating and cooling. FPI warrants the product for any manufacturing defects on the original product. However, the manufacturer's warranty does not cover changing colors and marks, i.e. fingerprints, etc. applied after the purchase of the product. Damage from the use of abrasive cleaners is not covered by warranty.

If freight damage has been found either externally or internally, the dealer must be informed within 3 days. All claims as a result of damage must be submitted by the dealer servicing the claim, including a copy of the Bill of Sale (proof of purchase). All claims must be complete and provide full details as requested by FPI to receive consideration for evaluation. **Incomplete claims may be rejected.**

As this is a Limited Lifetime Warranty, if the Appliance needs to be replaced, the Appliance that was purchased at the time of sale might not be replaced with exactly the same model Appliance. In that case, FPI will replace your Appliance with one that is similar at the time of replacement under the terms of this Limited Lifetime Warranty, but **ONLY** in the event that an item covered by the Limited Lifetime Warranty is found to be defective. Please refer to the table on first page of this warranty for items covered by the Limited Lifetime Warranty. Product changes might be the result of the original Appliance being discontinued, changes in regulatory requirements, product advancements, etc., which are beyond the control of FPI. **This Limited Lifetime Warranty does not cover any installation costs, or costs associated with changes of required clearances for the replacement Appliance, hearth pads, mantles, facing and/or facing materials such as framing, completed walls made of drywall, wood, non-combustible board, tile, brick, stone, marble etc., venting/chimney systems, or components of the chimney system.**

If a suitable replacement is not available, FPI will refund **50%** of the purchase price of the Appliance and any applicable FPI accessories (faceplates, brick panels, media, etc.) purchased at the time of sale. **In no event will FPI refund any portion of the purchase price of, or reimburse costs associated with, any other items, including without limitation, installation of a new Appliance, changes of required clearances for a new Appliance, hearth pads, mantles, facing and/or facing materials such as framing, completed walls made of drywall, wood, non-combustible board, tile, brick, stone, marble etc., venting/chimney systems, or components of the chimney system. A copy of the receipt or bill of sale will be necessary to validate the purchase price.**

warranty

Exclusions:

This Limited Lifetime Warranty does not extend to paint, rust or corrosion of any kind due to a lack of maintenance or improper venting, combustion air provision, corrosive chemicals (i.e. chlorine, salt, air, etc.), door or glass gasketing, batteries, color fading, carbon/sooting of the log sets due to use and does not cover lava rock, platinum/glowing embers, vermiculite.

Malfunction, damage or performance-based issues as a result of environmental conditions, location, chemical damages, downdrafts, installation error, an installation by an unqualified installer, incorrect chimney components (including but not limited to cap size or type), operator error, abuse, misuse, use of improper fuels, lack of regular maintenance and upkeep, acts of God, weather-related problems from hurricanes, tornados, earthquakes, floods, lightning strikes/bolts or acts of terrorism or war, which result in a malfunction of the Appliance are not covered under the terms of this Limited Lifetime Warranty.

FPI has no obligation to enhance or modify any Appliance once manufactured (i.e. as products evolve, field modifications or upgrades will not be performed on existing Appliances).

Any Appliance showing signs of neglect or misuse will not be covered under the terms of this warranty policy and may void this warranty, including Appliances with rusted or corroded fireboxes that have not been reported as rusted or corroded within **three (3)** months of installation/purchase.

Appliances which show evidence of being operated while damaged, or with problems known to the purchaser and causing further damages will void this warranty.

Appliances where the serial no. has been altered, deleted, removed or made illegible will void this warranty.

Minor movement, expansion and contraction of the steel is normal and is not covered under the terms of this warranty.

Freight damages for products or parts are not covered under the terms of the warranty.

Products made or provided by other manufacturers and used in conjunction with the FPI Appliance without prior authorization from FPI may void this warranty.

Limitations of Liability:

The original purchaser's exclusive remedy under this warranty, and FPI's sole obligation under this Limited Lifetime Warranty, express or implied, in contract or in tort, shall be limited to replacement, repair, or refund, as outlined above. IN NO EVENT WILL FPI BE LIABLE UNDER THIS WARRANTY FOR ANY INCIDENTAL OR CONSEQUENTIAL COMMERCIAL DAMAGES OR DAMAGES TO PROPERTY. TO THE EXTENT PERMITTED BY APPLICABLE LAW, FPI MAKES NO EXPRESS WARRANTIES OTHER THAN THE WARRANTY SPECIFIED HEREIN. THE DURATION OF ANY IMPLIED WARRANTY IS LIMITED TO DURATION OF THE EXPRESSED WARRANTY SPECIFIED ABOVE. IF IMPLIED WARRANTIES CANNOT BE DISCLAIMED, THEN SUCH WARRANTIES ARE LIMITED IN DURATION TO THE DURATION OF THIS WARRANTY.

Some US states do not allow limitations on how long an implied warranty lasts, or allow exclusion or limitation of incidental or consequential damages, so the above limitations or exclusions may not apply to you.

Customers located outside the US should consult their local, provincial or national legal codes for additional terms, which may apply to this warranty.

How to Obtain Warranty Service:

Customers should contact the authorized selling dealer to obtain warranty service. In the event the authorized selling dealer is unable to provide warranty service, please contact FPI by mail at the address listed below. Please include a brief description of the problem and your address, email and telephone contact information. A representative will contact you to make arrangements for an inspection and/or warranty service.

Canadian Warrantor:**FPI Fireplace Products International Ltd.**

6988 Venture St.
Delta, British Columbia
Canada, V4G 1H4

U.S. Warrantor:**Fireplace Products US, Inc.**

PO Box 2189 PMB 125
Blaine, WA
United States, 98231

Or contact the Regency Customer Care Centre at 1-800-442-7432 (phone) / 604-946-4349 (fax)
/customerservice@regency-fire.com (e-mail)

Product Registration and Customer Support:

Thank you for choosing a Regency Fireplace. Regency strives to be a world leader in the design, manufacture, and marketing of hearth products. To provide the best support for your product, we request that you complete a product registration form at <http://www.regency-fire.com/Customer-Care/Warranty-Registration.aspx> within **ninety (90)** days of purchase.

Warranty Registration Card



Product Registration and Customer Support:

Thank you for choosing a Regency Fireplace. Regency strives to be a world leader in the design, manufacture, and marketing of hearth products. To provide the best support for your product, we request that you complete a product registration form found on our Web Site under Customer Care within ninety (90) days of purchase.

For purchases made in **CANADA or the UNITED STATES:**

<http://www.regency-fire.com/Customer-Care/Warranty-Registration.aspx>

For purchases made in AUSTRALIA:

<http://www.regency-fire.com.au/Customer-Care/Warranty-Registration.aspx>

You may also complete the warranty registration form below to register your Regency Fireplace Product and mail and/or fax it back to us, and we will register the warranty for you. It is important you provide us with all the information below in order for us to serve you better.

Warranty Registration Form (or Register online immediately at the above Web Site):

Warranty Details	
Serial Number (required):	
Purchase Date (required) (mm/dd/yyyy):	
Product Details	
Product Model (required):	
Dealer Details	
Dealer Name (required):	
Dealer Address:	
Dealer Phone #:	
Installer:	
Date Installed (mm/dd/yyyy):	
Your Contact Details (required)	
Name:	
Address:	
Phone:	
Email:	

For purchases made in CANADA:

FPI Fireplace Products International Ltd.
6988 Venture St.
Delta, British Columbia
Canada, V4G 1H4

Phone: 604-946-5155
Fax: 1-866-393-2806

For purchases made in the UNITED STATES:

Fireplace Products US, Inc.
PO Box 2189 PMB 125
Blaine, WA
United States, 98231

Phone: 604-946-5155
Fax: 1-866-393-2806

For purchases made in AUSTRALIA:

Fireplace Products Australia Pty Ltd
99 Colemans Road
Dandenong South, Vic.
Australia, 3175

Phone: +61 3 9799 7277
Fax: +61 3 9799 7822

For fireplace care and tips and answers to most common questions please visit our Customer Care section on our Web Site. Please feel free to contact your selling dealer if you have any questions about your Regency product.

PRODUCT LIFE CYCLE:

By recycling your used appliances, you divert waste from your local landfills and help the environment. You also reduce the need for raw materials to manufacture new products. Contact your local municipality for appliance recycling services, local recycling programs, or appliance removal services to ensure your Regency appliance components, and packaging are properly recycled.

Installer: Please complete the following information

Dealer Name & Address: _____

Installer: _____

Phone #: _____

Date Installed: _____

Serial #: _____