



E33 Gas Insert

MODELS: E33-NG Natural Gas E33-LP Propane

Owners & Installation Manual



EXCALIBUR®



 **REGENCY**
FIREPLACE PRODUCTS

WARNING:

Improper installation, adjustment, alteration, service or maintenance can cause injury, property damage, or loss of life. Refer to this manual. For assistance or additional information consult an authorized installer, service agency or the gas supplier.

FOR YOUR SAFETY:

Do not store or use gasoline or other flammable vapours and liquids in the vicinity of this or any other appliance.

Installation and service must be performed by an authorized installer, service agency or the gas supplier.

FOR YOUR SAFETY:

What to do if you smell gas:

- Do not try to light any appliance
- Do not touch any electrical switch: do not use any phone in your building.
- Immediately call your gas supplier from a neighbour's phone. Follow the gas supplier's instructions.
- If you cannot reach your gas supplier, call the fire department.

Tested by:



Installer: Please complete the details on the back cover and leave this manual with the homeowner.
Homeowner: Please keep these instructions for future reference.

TABLE OF CONTENTS

FPI GAS FIREPLACE INSERT

	Page		Page
Unit Dimensions	2		
Safety Label	4		
INSTALLATION REQUIREMENTS		OPERATING INSTRUCTIONS	
For Your Safety	5	First Fire	18
Gas Pressure Testing	5	Operating Instructions	18
Specifications	5	Lighting Procedure	18
Installation into a Solid Fuel Burning Fireplace or Factory Built Fireplace	5	Shutdown Procedure	18
General Safety Information	5	Copy of Lighting Instruction Plate	19
Installation Checklist	6	Automatic Convection Fan Operation	19
Materials Required	6	Normal Operating Sounds of Gas Appliances	19
Minimum Fireplace Dimensions	6		
Clearances to Combustibles	7	MAINTENANCE	
Combustible Mantel Clearances	7	Maintenance Instructions	20
		General Vent Maintenance	20
INSTALLATION		Log Replacement	20
Gas Connection	8	Glass Gasket	20
Venting	8	Steel or Gold Plated Trim	20
Flue Liner Installation	8	Door Glass	21
Gas Pipe Pressure Test	9	Flush Glass Replacement	21
SIT Valve Description	9	Fan Maintenance	21
Gas Insert Aeration System	9	Valve Assembly Removal and Installation	22
Optional Brick Panel	9		
Log Installation	10	REPLACEMENT PARTS LIST	
E33 Conversion Kit from NG to LPG	12	Parts List	23
Faceplate & Trim	13		
Standard Flush Door	14	WARRANTY	
Flush Louvers	14	Warranty	31
Full Screen Front	14		
Excalibur Surround Installation	15		
Optional Screen Doors	16		
Accent Kit Installation	16		
Double Door Option	16		
Wiring Diagram	17		
Optional Remote Control	17		
Optional Wall Thermostat	17		
Final Check	18		


SAFETY LABEL

This is a copy of the labels that accompany each E33 Gas Insert. We have printed a copy of the contents here for your review. The safety label is located on a plate inside the base of the unit visible when the bottom louver is opened. Ensure that the safety label is attached to the unit.

NOTE: FPI units are constantly being improved. Check the label on the unit and if there is a difference, the label on the unit is the correct one.

285


DO NOT REMOVE THIS LABEL / NE PAS ENLEVER CETTE ÉTIQUETTE



285

Serial No. / No de serie

Listed: VENTED GAS FIREPLACE HEATER
Tested to: ANSI Z21.88b-2003/ CSA 2.33b-2003, CAN/CGA-2.17-M91
Certified for / Certifiée pour: CANADA AND U.S.A.



REPORT number 303530

Model/Modelé:
E33-NG

NATURAL GAS FIREPLACE INSERT: MODEL E33-NG
Factory Equipped For Altitude 0-4500ft. (0-1370m)

Min. Supply Pressure	5"	WC	(1.25 kpa)
Low Setting Man. Pressure	1.1"	WC	(0.27 kpa)
Max. Manifold Pressure	3.8"	WC	(0.95 kpa)
Orifice Size	31	DMS	
Minimum Input	20,000	Btu/h	(5.86 kW)
Maximum Input	38,000	Btu/h	(11.13 kW)

Model/Modelé:
E33-LP

PROPANE GAS FIREPLACE INSERT: MODEL E33-LP
Factory Equipped For Altitude 0-4500ft. (0-1370m)

Min. Supply Pressure	12"	WC	(2.99 kpa)
Low Setting Man. Pressure	2.9"	WC	(0.72 kpa)
Max. Manifold Pressure	11"	WC	(2.74 kpa)
Orifice Size	50	DMS	
Minimum Input	19,000	Btu/h	(5.56 kW)
Maximum Input	35,500	Btu/h	(10.4 kW)

VENTED GAS FIREPLACE HEATER

For installation in Solid Fuel Burning Fireplaces. This appliance must be installed in accordance with local codes, if any. If none, follow the National Fuel Code, ANSI Z223.1/NFPA 54 or Natural Gas and Propane Installation Codes, CSA B149.1. This vented gas fireplace heater is not for use with air filters.

For Manufactured Home Installation: This Direct Vent System Appliance must be installed in accordance with the manufacturer's installation instructions and Manufactured Home Construction and Safety Standard Title 24 CFR, Part 3280, or the current Standard for Fire Safety Criteria for Manufactured Home Installation, Sites, and Communities ANSI/NFPA 501A, and with CAN/CSA Z240 MH Mobile Home Standard in Canada.

This appliance is only for use with the type of gas indicated on the rating plate. See owner's manual for details. This appliance is not convertible for use with other gases, unless a certified kit is used.

WARNING: This fireplace has been converted for use with a gas fireplace insert only and cannot be used for burning wood or solid fuels unless all original parts have been replaced, and the fireplace re-approved by the authority having jurisdiction. For use with glass doors certified with the appliance only.

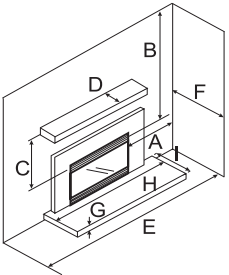
Fan Part No. 910-331/P
 Electrical Supply: 115 V, 56 WATTS, 60 Hz
NOT FOR USE WITH SOLID FUEL

Minimum Clearances to Combustibles from Insert

Side Walls	*A	8"	(203mm)
Ceiling	B	47"	(1194mm)
Min. Mantel Height	C	15"	(381mm)
Max. Mantel Depth	D	3½"	(89mm)
Alcove Width	E	76"	(1930mm)
Alcove Depth	F	36"	(914mm)

Non-Combustible Hearth Extension

Hearth Height	G	1-1/4"	(32mm)
Hearth Width	H	45-1/2"	(1156mm)
Hearth Depth	I	13"	(330mm)



* Alcove side wall must have a min. of 8" clearance on one side.

FPI Fireplace Products International Ltd., Delta BC, CANADA
MADE IN CANADA / FABRIQUE AU CANADA 918-409

For the State of Massachusetts, installation and repair must be done by a plumber or gasfitter licensed in the Commonwealth of Massachusetts.

For the State of Massachusetts, flexible connectors shall not exceed 36 inches in length.

For the State of Massachusetts, the appliances individual manual shut-off must be a t-handle type valve.

IMPORTANT: SAVE THESE INSTRUCTIONS

The FPI Gas Fireplace must be installed in accordance with these instructions. Carefully read all the instructions in this manual first. Consult the building authority having jurisdiction to determine the need for a permit prior to starting the installation.

NOTE: Failure to follow the instructions could cause a malfunction of the heater which could result in death, serious bodily injury, and/or property damage. Failure to follow these instructions may also void your fire insurance and/or warranty.

FOR YOUR SAFETY

This appliance requires air for proper combustion. Always provide adequate combustion and ventilation air. Follow instructions and information in CSAB149.1 (in Canada) or the National Fuel Gas Code ANS Z223.1/NFPA (in the USA), regarding requirements for combustion and ventilation air.

GAS PRESSURE TESTING

The appliance must be isolated from the gas supply piping system by closing its individual manual shut off valve during any pressure testing of the gas supply piping system at test pressures equal to or less than 1/2 psig. (3.45 kPa).

SPECIFICATIONS

At pressures over 1/2 psig, the pipe to the unit must be disconnected.

Gas Input Capacity:

Natural Gas	38,000 Btu/h
Propane	35,500 Btu/h

Min. Input:

Natural Gas	20,000 Btu/h
Propane	19,000 Btu/h

Fuels: Approved for use with both natural gas, and propane. Approved as is for use at 0' to 4,500' (0-1370m).

Electrical: 120V A.C. system.

Circulation Fan: Variable speed, 127 CFM.

Log Set: Ceramic fibre, 8 per set.

Vent System: 3" co-linear aluminum flex.

INSTALLATION INTO A SOLID FUEL BURNING FIREPLACE OR FACTORY BUILT FIREPLACE

The E33 Gas Inserts have been tested and approved to be vented into any masonry fireplace or approved solid fuel burning factory built fireplace that will allow the insert to physically fit into the firebox. Refer to page 6 for minimum fireplace clearances.

If the factory built fireplace* height is too low for your Insert, you may remove the smoke baffle plate and damper from the factory built fireplace as long as these items are saved and are reinstalled in the event that the Insert is removed. NOTE: Any alterations made to the listed solid fuel burning factory built fireplace may void the listing of the fireplace. Cutting any sheet-metal parts of the fireplace, in which the gas fireplace insert is to be installed, is prohibited.

If the factory-built fireplace has no gas access hole(s) provided, an access hole of 1.5" (37.5mm) or less may be drilled through the lower sides or bottom of the firebox in a proper workmanship like manner. This access hole must be plugged with non-combustible insulation after the gas supply line has been installed.

The fireplace and fireplace chimney must be clean and in good working order and constructed of non-combustible materials and chimney cleanouts must fit properly. Refractory, glass doors, screen rails, screen mesh, and log grates can be removed from the fireplace before installing the gas fireplace insert. Smoke shelves, shields and baffles may be removed if attached by mechanical fasteners. A tight connection between the gas fireplace insert flue collar and the fireplace chimney must be made.

*Check with your local inspector before commencing with this installation.

BEFORE YOU START

Safe installation and operation of this appliance requires common sense, however, we are required by the Canadian Safety Standards and ANSI Standards to make you aware of the following:

General Safety Information

- 1) The appliance installation must conform with local codes or in the absence of local codes, with CAN/CSAB149.1 (in Canada) or the National Fuel Gas Code ANSI Z223.1 NFPA54 in the U.S.A. This appliance should be installed by a qualified gas fitter technician only.
- 2) Installation and repair should be done by a qualified service person.
- 3) The appliance should be inspected before use and at least annually by a professional service person. More frequent cleaning may be required due to excessive lint from carpeting, bedding material, animal hair, etc. It is imperative that control compartments, burners and circulating air passageways of the appliance be kept clean.
- 4) See general construction and assembly instructions. This appliance may only be installed in a vented, noncombustible fireplace.
- 5) This appliance is Listed for bedroom installations when used with a Listed Millivolt Thermostat. Some areas may have further requirements, check local codes before installation.
- 6) Always connect this appliance to a vent system vent that is run (or routed) to the outside of the building envelope. Never vent to another room or inside a building. Make sure that the vent is properly sized and is of adequate height to provide the proper draft.
- 7) Inspect the venting system annually for blockage and any signs of deterioration.
- 8) Any glass removed for servicing must be replaced prior to operating the appliance.
- 9) **WARNING: Failure to position the parts in accordance with the diagrams in this manual or failure to use only parts specifically approved with this appliance may result in property damage or personal injury.**
- 10) To prevent injury, do not allow anyone who is unfamiliar with the operation to use the fireplace.

INSTALLATION

- 11) Due to high temperatures, the appliance should be located out of high traffic areas and away from furniture and draperies. Children and adults should be alerted to the hazards of high surface temperatures, especially the fireplace glass, and should stay away to avoid burns or clothing ignition. Young children should be carefully supervised when they are in the same room as the appliance. Clothing or other flammable material should not be placed on or near the appliance.

Emissions from burning wood or gas could contain chemicals known to the State of California to cause cancer, birth defects or other reproductive harm.

INSTALLATION CHECKLIST

Before installing vent system ensure that the damper plate is open and secure to prevent the damper plate from falling down and crushing the liner.

The FPI Gas Insert is installed as listed below.

- 1) Check all clearances to combustibles, see page 7.
- 2) Make the gas connection. See page 8.
- 3) Install the 3" flue liner to the sliding connector plate. See page 8.
- 4) Slide the unit half way into the fireplace.
- 5) Pull the vent connector plate through the tapered brackets and fasten to the front plate. See page 8.
- 6) Slide the unit fully into the fireplace.
- 7) Test gas pressure, page 9. Check aeration system, page 9.
- 8) Install the optional brick panels. See page 9.
- 9) Install the log set. See page 10.
- 10) Assemble and install the faceplate and trim. See page 13.
- 11) Install the standard flush door. See page 14.
- 12) Install both louvers. See page 14.
- 13) Install optional full screen doors. See page 16.

- 14) Install optional Excalibur Surround. See page 15.

- 15) Install optional remote control or wall thermostat, pages 17.

- 16) **Final check (page 18):** Before leaving this unit with the customer, the installer must ensure that the appliance is firing correctly. This includes:

- a) Locking the appliance to ensure the correct firing rate.
- b) Adjusting the primary air, if required, to ensure that the flame does not carbon. See page 9.
- c) Ensuring that the appliance is venting correctly.

MATERIALS REQUIRED

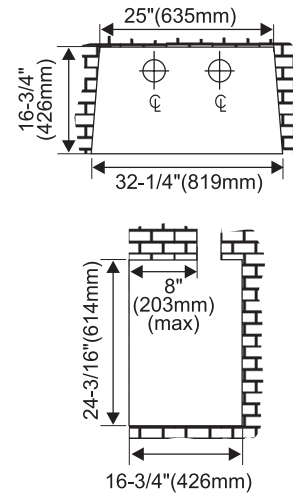
No electrical power supply is required for the gas control to operate. A 120 Volt AC power cord is hooked up to the fan. Plug the 3 wire cord into a suitable receptacle. **Do not cut the ground terminal off under any circumstances.** When connected with 120 volts, the appliance must be electrically grounded in accordance with local codes, current version of the Canadian Electrical Code CSA C22.1 (in Canada) or in the absence of local codes, with the National Electrical Code ANSI/NFPA 70.

NOTE: This unit is equipped with a heat sensor thermodisc which will prevent the blower from operating until the unit reaches the correct temperature.

WARNING:
Electrical Grounding Instructions
 This appliance is equipped with a three pronged (grounding) plug for your protection against shock hazard and should be plugged directly into a properly grounded three-prong receptacle. Do not cut or remove the grounding prong from this plug.

MINIMUM FIREPLACE OPENING

The minimum fireplace opening for the FPI gas fireplace insert is shown in the following diagrams:

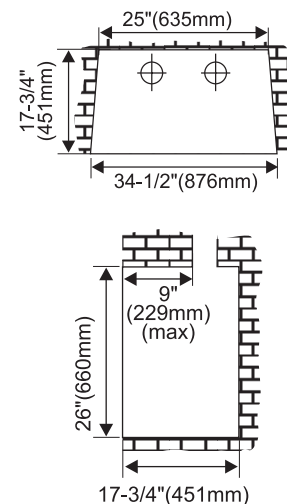


MINIMUM FIREPLACE OPENING EXCALIBUR OPTION

The minimum fireplace opening for the FPI gas fireplace insert is shown in the following diagrams:

NOTE: If you are installing the Excalibur, the minimum fireplace dimensions are as follows:

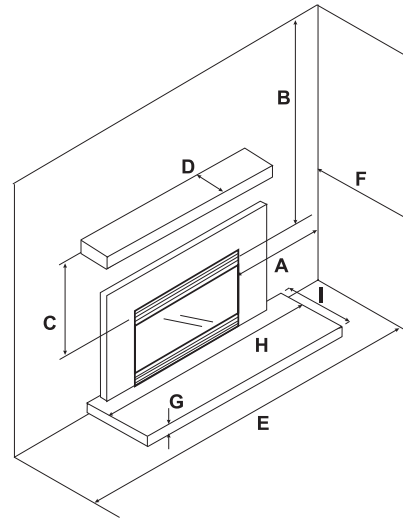
Width (at front): 34-1/2" (876mm)
 Depth: 17-3/4" (451mm)
 Height: 26" (660mm)



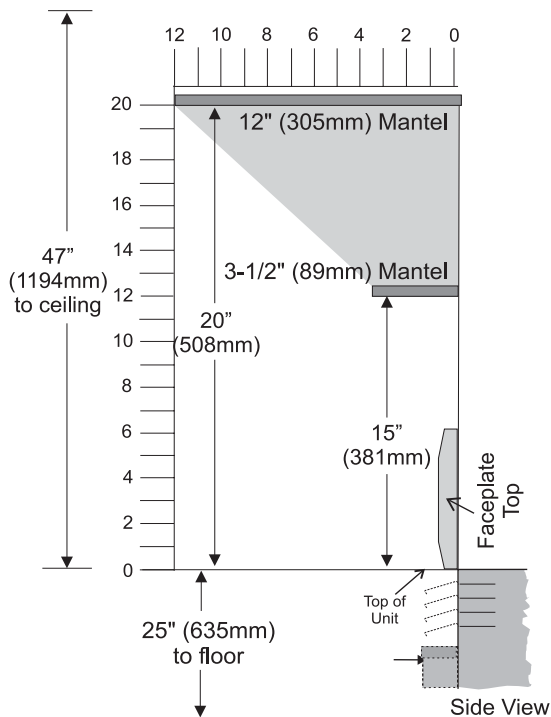
MINIMUM CLEARANCES TO COMBUSTIBLES

	From Unit
Side Walls	* A 8" (203 mm)
Ceiling	B 47" (1194 mm)
Min. Mantel Height	C 15" (381 mm)
Max. Mantel Depth	D 3-1/2" (89 mm)
Alcove Width	E 76" (1930 mm)
Alcove Depth	F 36" (914 mm)
Hearth Height	G 1-1/4" (32 mm)
Hearth Width	H 45-1/2" (1156 mm)
Hearth Depth	I 13" (330 mm)

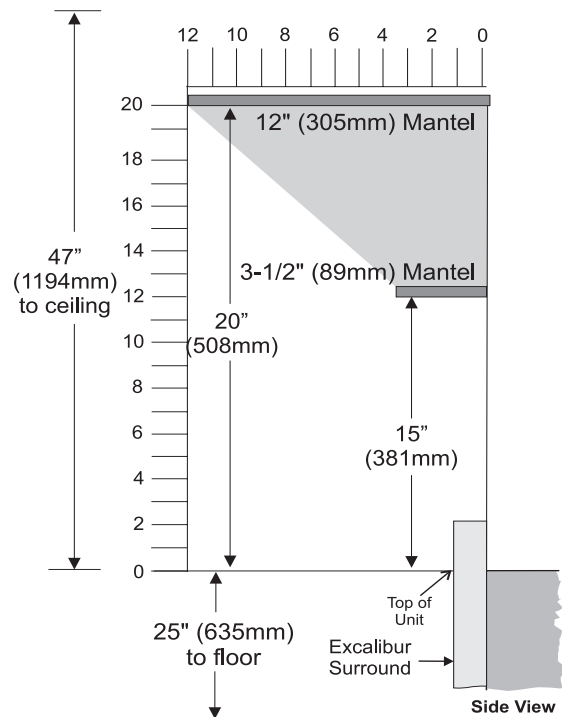
* Alcove side wall must have a min. of 8" clearance on one side.



REGENCY FLUSH COMBUSTIBLE MANTEL CLEARANCES



EXCALIBUR SURROUND & FULL SCREEN DOORS COMBUSTIBLE MANTEL CLEARANCES



Because of the extreme heat this fireplace emits, the mantel clearances are critical. Combustible mantel clearances from top of unit are shown in the above diagrams.

Note: A non-combustible mantel may be installed at a lower height if the framing is made of metal studs covered with a non-combustible board.

Mantel can be installed anywhere in shaded area or higher using the above scale.

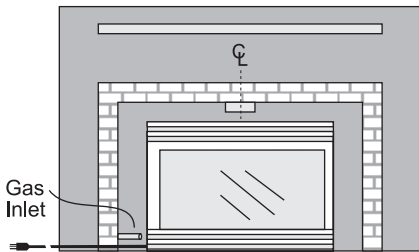
Note: Ensure the paint that is used on the mantel and the facing is "heat resistant" or the paint may discolour.

INSTALLATION

GAS CONNECTION

GAS CONNECTION WARNING:
Only persons licensed to work with gas piping may make the necessary gas connections to this appliance.

- 1) If the appliance is to be installed into an existing chimney system, thoroughly clean the masonry or factory built fireplace.
- 2) The appliance is provided with an opening on the left hand side of the control compartment. A 3/8" NPT gas supply pipe must be brought near this inlet hole.



- 3) Locate the center point where the vent will pass through the chimney above the appliance. Move the appliance into the exact location where it is to be installed. Ensure that the Insert is level.

VENTING

THE APPLIANCE MUST NOT BE CONNECTED TO A CHIMNEY FLUE SERVING A SEPARATE SOLID FUEL BURNING APPLIANCE.

This appliance is designed to be attached to two 3" (76mm) co-linear aluminium flex running the full length of the chimney. The flue length must be a minimum length of 8' (2.44m) and a maximum of 35' (10.7m). See chart above for minimum distances from roof. Periodically check that the vent is unrestricted.

Masonry chimneys may take various contours which the flexible liner will accommodate. However, **keep the flexible liner as straight as possible**, avoid unnecessary bending.

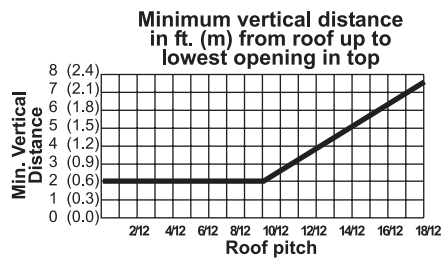
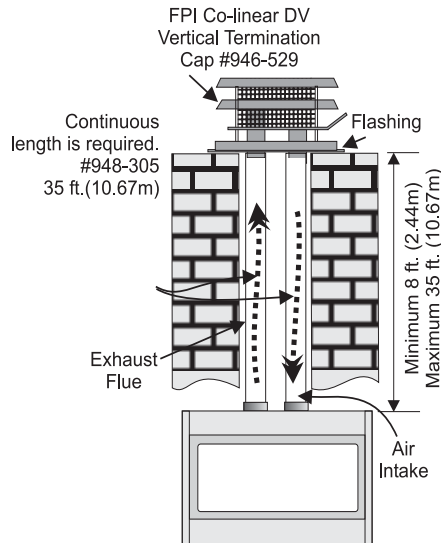
Part #	Description
948-305	3" Flex - 35 ft.
946-529	FPI Co-linear DV Vertical Termination Cap

Alternate Approved Caps

980	Vertical Termination Cap
991	High Wind Cap
923GK	3" Co-linear Adaptor with flashing

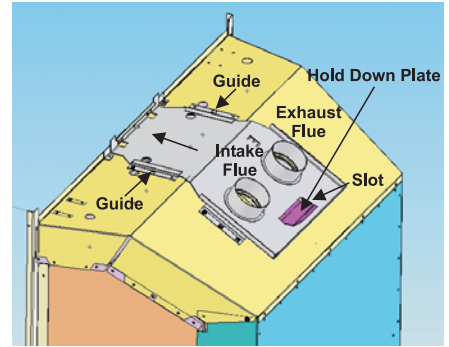
In areas of consistently high winds, we recommend using the Simpson Dura-Vent System (923GK adaptor and 991 high-wind cap).

The Air Intake pipe must be attached to the inlet air collar of the termination cap.



FLUE LINER INSTALLATION

- 1) Cut the flex liner as required.
- 2) **Mark the end of one liner to indicate Exhaust.**
- 3) Connect the other end of the above liner to the exhaust side of the termination adaptor, seal connection with high temperature silicone. Secure with gear clamp.
- 4) Connect the 2nd liner to the inlet side of the adaptor, seal connection with high temperature silicone. Secure with gear clamp.



- 5) Install flashing.
- 6) Insert both liners into chimney, passing through the damper opening.
- 7) Install termination cap.
- 8) Connect the **marked end** of the liner to the exhaust collar of the vent connector plate marked with an "E", seal connection with high temperature silicone. Secure with gear clamp.
- 9) Connect the 2nd liner to the intake collar, seal connection with high temperature silicone. Secure with gear clamp.
- 10) Align vent connector plate with guides on unit.
- 11) Slide unit into masonry opening, while ensuring that the slot at the rear of the connector plate mates up with the hold down plate on the unit.
- 12) Secure with Screw.

NOTE:

- 1) Final gas connection should be made after unit is in place to avoid damage to line when pushing the unit into position.
- 2) Mill-pac may be used instead of high temperature silicone and screws may be used instead of gear clamps at connections of liner to inlet and vent collars.

GAS PIPE PRESSURE TESTING

The appliance must be isolated from the gas supply piping system by closing its individual manual shut-off valve during any pressure testing of the gas supply piping system at test pressures equal to or less than 1/2 psig. (3.45 kPa). Disconnect piping from valve at pressures over 1/2 psig.

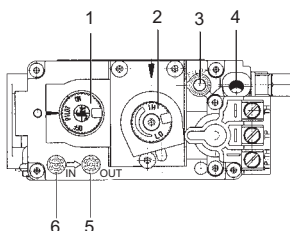
The manifold pressure is controlled by a regulator built into the gas control, and should be checked at the pressure test point.

NOTE: To properly check gas pressure, both inlet and manifold pressures should be checked using the valve pressure ports on the valve.

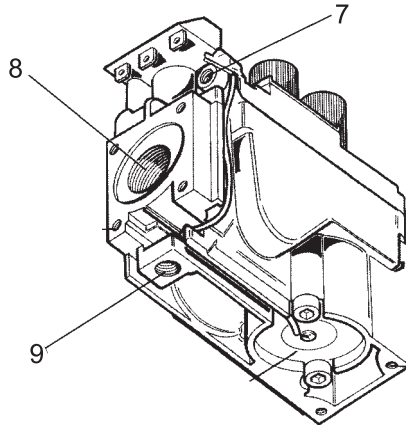
- 1) Make sure the valve is in the "OFF" position.
- 2) Loosen the "IN" and/or "OUT" pressure tap(s), turning counterclockwise with a 1/8" wide flat screwdriver.
- 3) Attach manometer to "IN" and/or "OUT" pressure tap(s) using a 5/16" ID hose.
- 4) Light the pilot and turn the valve to "ON" position.
- 5) The pressure check should be carried out with the unit burning and the setting should be within the limits specified on the safety label.
- 6) When finished reading manometer, turn off the gas valve, disconnect the hose and tighten the screw (clockwise) with a 1/8" flat screwdriver. **Note: Screw should be snug, but do not over tighten.**

SIT Valve Description

- 1) Gas cock knob
- 2) Manual high/low adjustment
- 3) Pilot Adjustment
- 4) Thermocouple Connection - option
- 5) Manifold (Outlet) Pressure Tap
- 6) Inlet Pressure Tap



- 7) Pilot Outlet
- 8) Main Gas Outlet
- 9) Alternative TC Connection Point

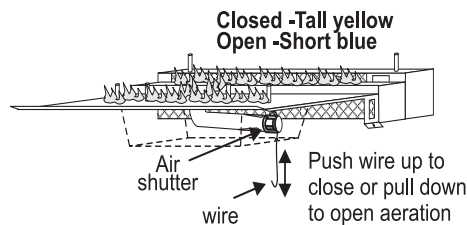


GAS INSERT AERATION SYSTEM

The air shutter can be adjusted by moving the adjusting wire up or down. The wire is accessed through the bottom louver opening. Open the air shutter for a blue flame or close for a yellow flame. The burner aeration is factory set but may need adjusting due to either the local gas supply or altitude.

Minimum Air Shutter Opening:
 5/16" Natural Gas
 7/16" Propane

CAUTION: Carbon will be produced if air shutter is closed too much.



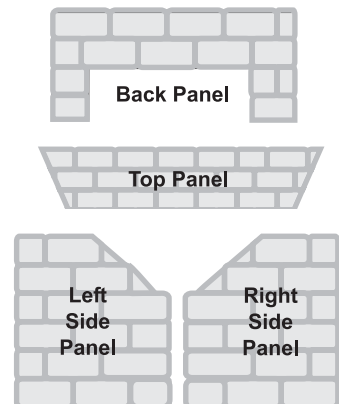
Note: Any damage due to carboning resulting from improperly setting the aeration controls is NOT covered under warranty.

Note: Aeration Adjustment should only be performed by an authorized FPI Installer at the time of installation or service.

OPTIONAL BRICK PANEL

Optional Brick Panel Set:

Part #	Description	Qty
	Top (brick) panel	1
	Back (brick) panel	1
	Left (brick) panel	1
	Right (brick) panel	1
340-043	Top bracket	1
340-094	Bottom clips	2
511-031	Brick clips	2



Installation of Brick Panels:

- 1) Remove top louver and glass door if installed.
- 2) Remove the logs if they are already installed. Note: the grate must be removed in order to remove the bottom log. Ensure you slide the bottom coal off to the right-hand side to avoid chipping.
- 3) Unwrap the brick pattern panels from the protective wrapping. Handle the panels with care as they can break easily.
- 4) Remove the two screws from the bottom of the baffle plate. Install the bottom clips onto the baffle plate (refer to Diagram 1).

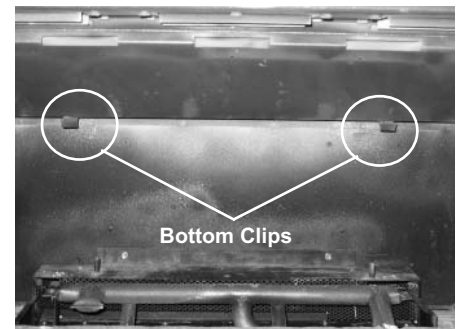


Diagram 1

INSTALLATION

- 5) Place the top bracket onto the top edge of the top panel (refer to Diagram 2).

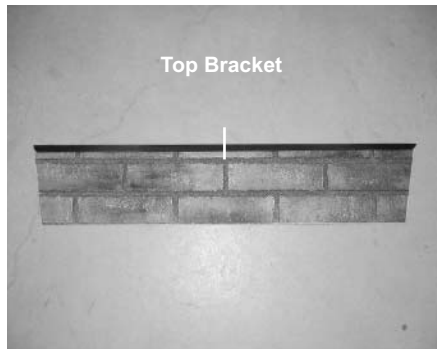


Diagram 2

- 6) Slide the top panel and bracket assembly carefully onto the baffle plate ensuring the panel is centered. Make sure the tabs of the top bracket fit into the baffle openings (refer to Diagram 3).

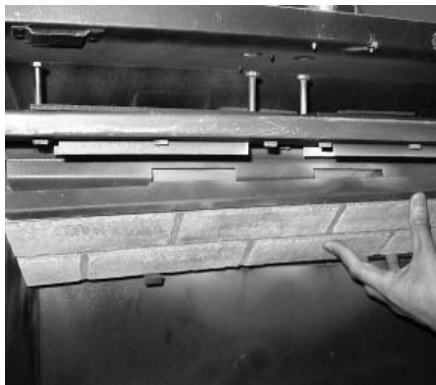


Diagram 3

- 7) Insert the back panel by sliding it between the sidewalls of the firebox and the rear log support.
8) Before installing the side brick panels, remove the screws from the side brick clips (refer to Diagram 4).

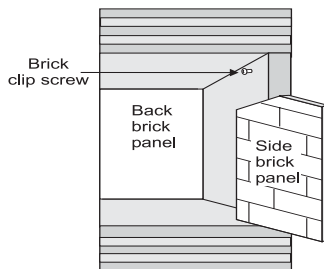
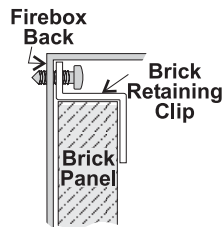


Diagram 4

- 9) Insert the side panel by positioning it flat against the side walls. Tilt the panel towards the middle of the firebox, then insert the bottom front corner. Repeat on the other side.

- 10) Install the 2 brick retaining clips, one on each side.



Final Installation

IMPORTANT

YOUR BRICK PANELS ARE
MANUFACTURED FROM A SPECIAL HEAT
REFLECTIVE CERAMIC MATERIAL
HANDLE WITH CARE
(DO NOT FORCE INTO POSITION)

LOG INSTALLATION

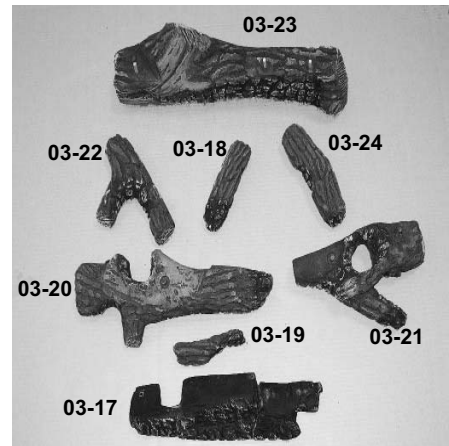
WARNING: Dangerous operating conditions may occur if these logs are not positioned in their correct certified locations. Read the following instructions carefully and refer to the attached diagram.

Materials Required:

Complete Log Set (Part # 340-930)

Contains the following:

	Description
03-17	Bottom Log
03-18	Center Top Log
03-19	Front Log
03-20	Left Log
03-21	Right Log
03-22	Left top Log
03-23	Rear Log
03-24	Right Top Log



The "03" reference numbers (i.e. 03-23) are molded into the rear of each log.

Instructions:

- 1) Remove and carefully unwrap the logs from the box. Please handle with care and do not force them into position to avoid chipping.
- 2) Remove the top louver and flush door if installed (refer to page 14).
- 3) To remove the grate, loosen the two Phillips screws which are securing the grate. Slide the grate outwards to remove it from the unit (refer to Diagram 1).

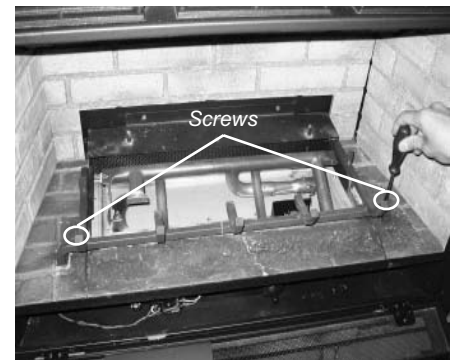


Diagram 1

- 4) Angle log 03-17 and slide it between the top and bottom burner tube under the "T" section until it touches the left grate support bracket (refer to Diagram 2).



Diagram 2

INSTALLATION

- 5) Re-install the grate (reverse step 3).
- 6) Line up the pin holes (located at the bottom of log **03-23**) to the pins of the rear log support and position them into place. (refer to Diagram 3)

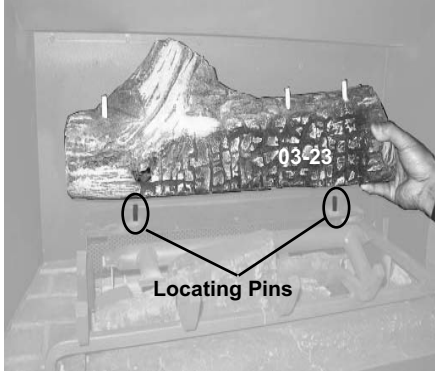


Diagram 3

- 7) Align the bottom grooves of log **03-21** onto the right side of the grate and gently slide the log back until it touches the locating tab (refer to Diagram 4 & 5).

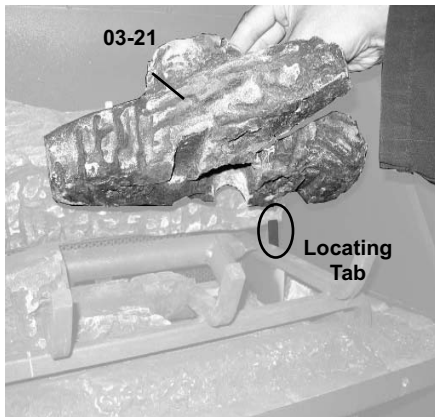


Diagram 4

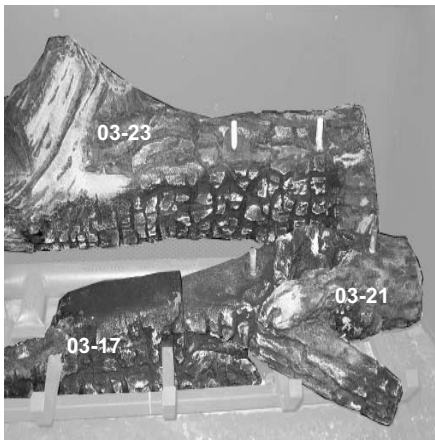


Diagram 5

- 8) Align and position the pin hole of log **03-20** down into the left locating pin of log **03-21**. Slide into the groove and gently place into position until it touches the locating tab. (see Diagram 6 & 7)

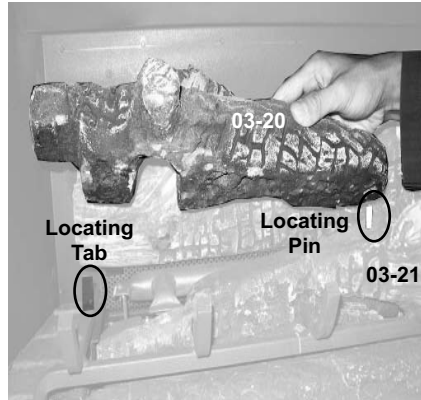


Diagram 6

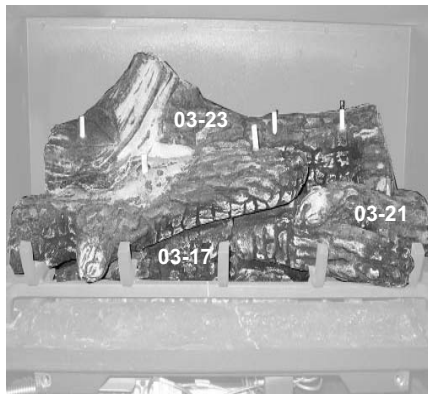


Diagram 7

- 9) Place log **03-22** over log **03-23** and log **03-20**. Ensure the pin hole of log **03-22** lines up with the left pin of log **03-23** as well as the left pin of log **03-20** (refer to Diagram 8).

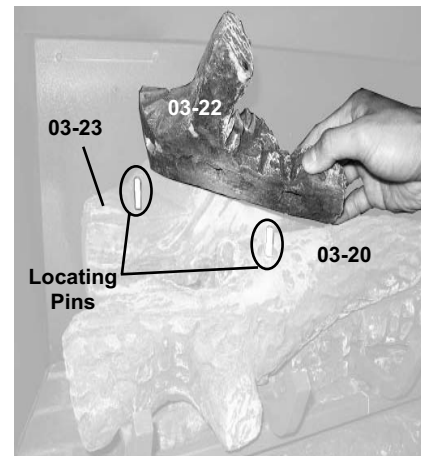


Diagram 8

- 10) Place log **03-18** over log **03-23** and log **03-20**. Ensure the pin hole of log **03-18** lines up with the middle pin of log **03-23** and the right pin of log **03-20** (refer to Diagram 9 & 10).

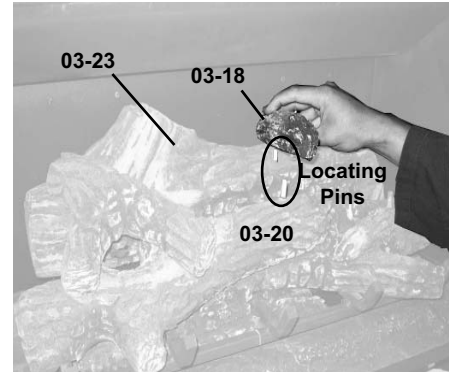


Diagram 9



Diagram 10

- 11) Place log **03-24** over log **03-23** and log **03-21** ensuring the pin hole of log **03-24** lines up with the right pin of log **03-23** and the right pin of log **03-21** (refer to Diagram 11).

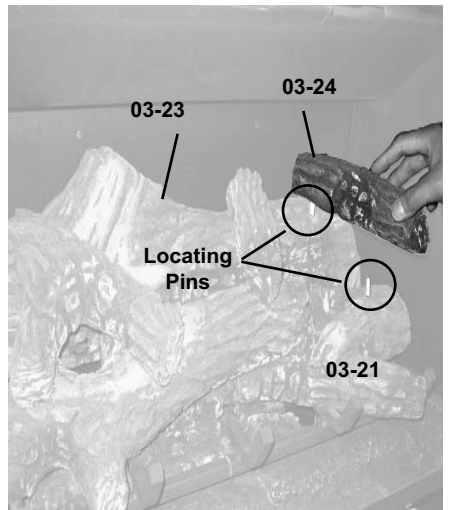
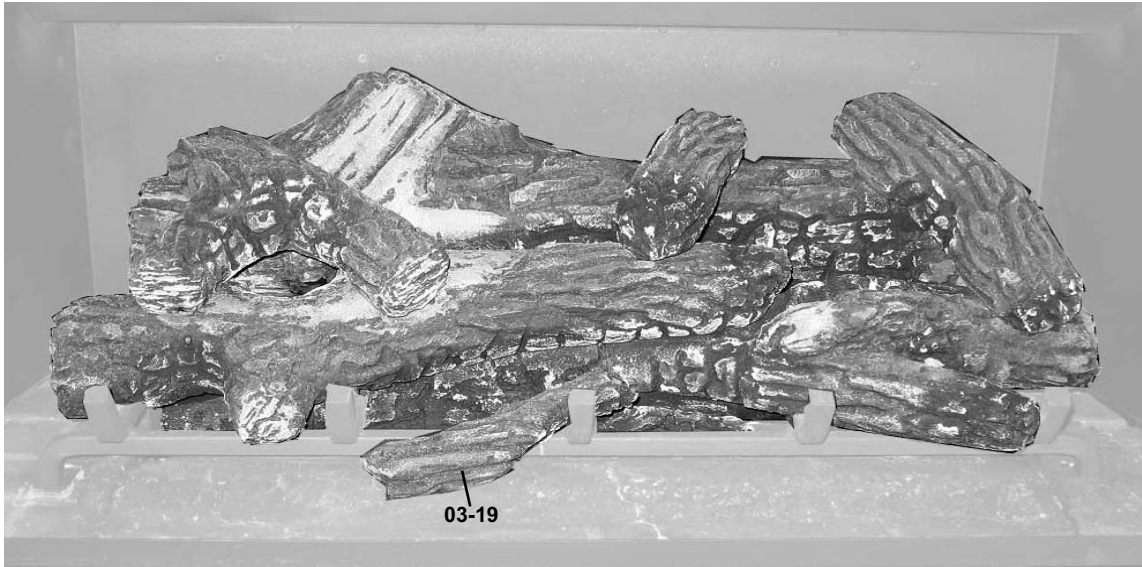


Diagram 11

- 12) Place log **03-19** over the left center of the grate. Ensure the log set looks like Diagram 12.

INSTALLATION



Final Installation

E33 CONVERSION KIT FROM NG TO LPG

**THIS CONVERSION MUST BE DONE BY A QUALIFIED GAS FITTER
IF IN DOUBT DO NOT DO THIS CONVERSION !!**

Conversion Kit Contains:

Qty.	Part #	Description
1	910-018	SIT Conversion Kit-50% Turndown LPG
1	910-037	LPG (Pilot Orifice)
1	904-641	Burner Orifice #50 (rated at 35,500 BTU/HR)
1	908-255	Label "Converted to LPG"
1	904-529	5/32" Allen Key
1	918-415	Instruction Sheet
1		Red LPG Label
1		Silver "Converted to LPG" Label

Instructions:

- 1) Shut off the gas supply.
- 2) Remove the louvers and flush door.
- 3) Remove the logs and grate (refer to p.10). Ensure you slide the bottom log **03-17** off to the right-hand side to avoid chipping.
- 4) Remove front base brick.



- 5) Remove burner by unscrewing the 2 screws.
- 6) Pull off the pilot cap to expose the pilot orifice.
- 7) Unscrew the pilot orifice with the allen key and replace with the LPG pilot orifice provided in the kit, then replace pilot cap.



- 8) Remove the burner orifice by using a 1/2" wrench, while using a 9/16" wrench to hold onto the elbow behind the orifice.



Burner Orifice Removal

- 9) Reinstall new burner orifice LPG stamped #50 and tighten.
- 10) Remove and discard the 3 pressure regulator mounting screws (A), pressure regulator (B) and diaphragm (C) refer to Diagram 1.
- 11) Ensure that the rubber gasket (D) is properly positioned. Install the new HI/LO pressure regulator assembly to the valve using the new screws (E) supplied with the kit. Tighten screws securely.
- 12) Reverse steps 5) to 3).
- 13) Attach clear label "This unit has been converted to LPG" near or on the serial # decal. Attach silver label "This valve has been converted from NG to LPG using SIT conversion Kit Code 0.907.202" onto the valve.
- 14) Replace yellow "NG" label with red "LPG" label.
- 15) Check for gas leaks with a proper soapy solution or leak detector.
- 16) Check for proper spark between the ignitor and pilot cap. Refer to "Lighting Procedure" (page 18) for lighting sequence.
- 17) Check pilot flames. Correct flame pattern has 3 strong blue flames. Adjustment can be made by turning the slotted screw at the top right corner of the valve. Refer to

"Maintenance Instructions" (page 20) for correct flame patterns.

- 18) Check inlet (12" WC min) and outlet (11" WC) pressures. Refer "Gas Pipe Pressure Testing" (page 9).
- 19) Check operation of flame control.
- 20) Check for proper flame appearance and glow on logs.

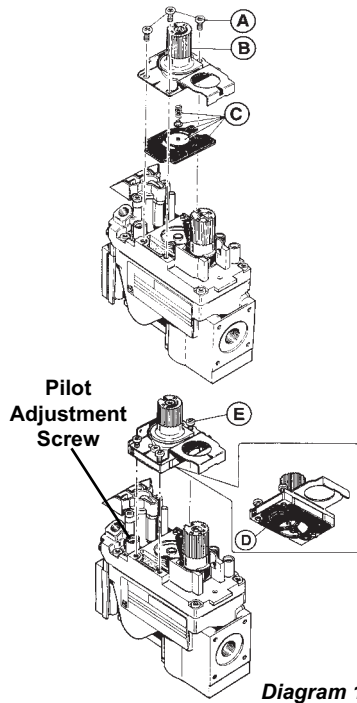


Diagram 1

WARNING:

This conversion kit shall be installed by a qualified service agency in accordance with the authority having jurisdiction. If the information in these instruction is not followed exactly, a fire, explosion or production of carbon monoxide may result causing property damage, personal injury or loss of life. The qualified service agency is responsible for the proper installation of this kit. The installation is not proper and complete until the operation of the converted appliance is checked as specified in the manufacturer's instructions supplied with the kit.

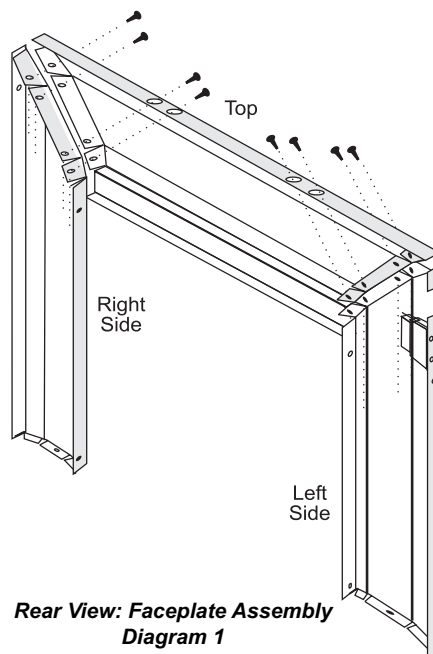
Note: Equipped for Altitude 0-4500 ft. (0-1370m).

Installer Notice:
These instructions must be left with the appliance.

FACEPLATE & TRIM INSTALLATION

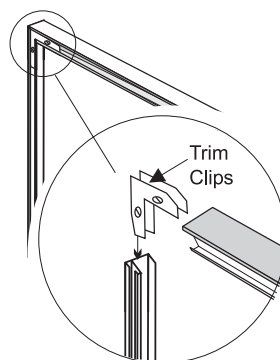
- 1) Lay the faceplate panels flat, face down on something soft so they don't scratch.
- 2) Take the top faceplate and align the holes in it with the holes in the side panels. Using the screws provided, attach from the top of the panel (the holes in the top panel are slightly larger than the holes in the side panel to facilitate easier installation). Refer to Diagram 1.

Hint: Don't tighten the screws down completely at this point, continue on with steps 3 and 4 and do a trial fit to the unit. Make any necessary adjustments and when it fits properly then tighten down the screws.



Rear View: Faceplate Assembly
Diagram 1

- 3) Using the connectors provided, join the left side trim (with the ON/OFF switch) to the top trim. Diagram 2. Connect the right side trim to the top trim.



Rear View: Trim Assembly
Diagram 2

- 4) Place the trim on the assembled faceplate panels, aligning the wire connections from the switches with the notch on the left side panel.
- 5) Connect the fan switch wires by taking the black and red wires with the male ends (in the grey harness) and connect them with the wire connectors from the fan speed control.
- 6) Connect the ON/OFF switch wires by taking the black and red wires with the female ends and connect them to the ON/OFF switch.
- 7) Tuck the wires into the faceplate to keep them away from the insert using the clip provided. Attach the clip to the rear of the faceplate to ensure that the wires do not touch the side of the unit. Refer to Diagram 3.
- 8) The power cord should be run behind the faceplate panel.

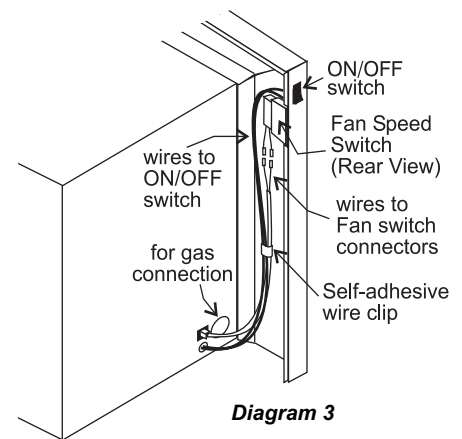


Diagram 3

- 9) Attach the trim to the faceplate by using the plated screws (refer to Diagram 4).

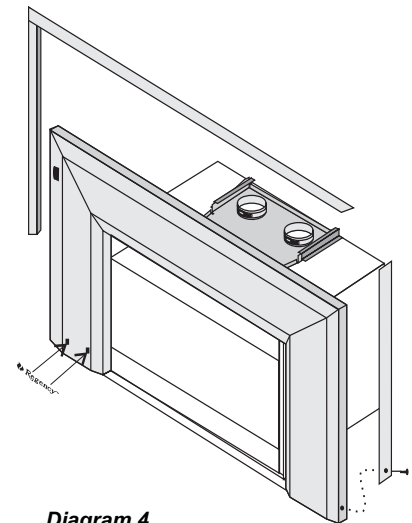


Diagram 4

INSTALLATION

- 10) Attach the faceplate panels to the insert body using the 4 remaining black screws. Refer to Diagram 5.

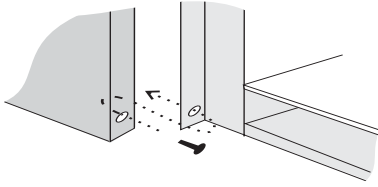


Diagram 5

- 11) Push the FPI logo plate into the two holes in the bottom left corner of the faceplate.

STANDARD FLUSH DOOR

The standard flush door comes with a black frame. To install the frame, simply hook the top door flange onto the top of the unit and swing the door towards the unit, (Diagram 1 and 2). Be careful that the glass gasket does not roll up; there must be a gap between the gasket and the door lip to ensure that the door sits securely on the unit. Refer to Diagram 3.

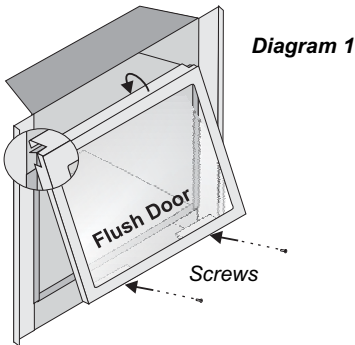


Diagram 1

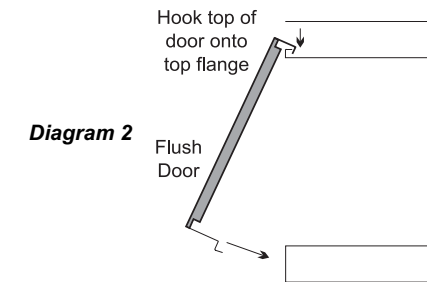


Diagram 2

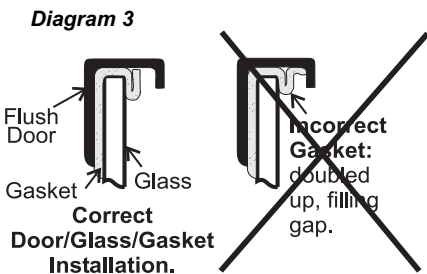


Diagram 3

Flush Door
Gasket
Glass
Correct Door/Glass/Gasket Installation.

Incorrect Gasket:
doubled up, filling gap.

Secure door by fastening with two screws located at bottom of glass frame (refer to Diagram 1). To remove the flush door, reverse the above steps.

FLUSH LOUVERS

- 1) The top louver is held in place by friction fit. Refer to Diagram 1

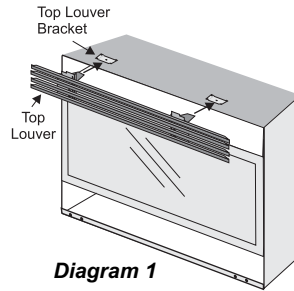
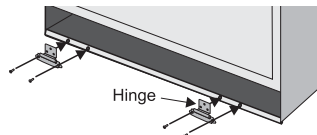
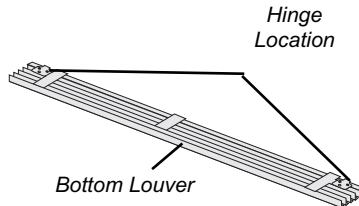


Diagram 1

- 2) Install the Spring Hinges on the left and right side of the bottom of the Firebox using 2 screws per hinge.



- 3) Place the Bottom Louver near the hinge. Flip hinge over the Bottom Louver and secure using 3 screws.

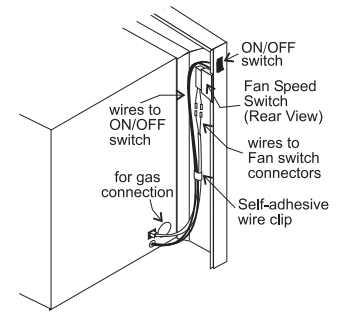


FULL SCREEN FRONT

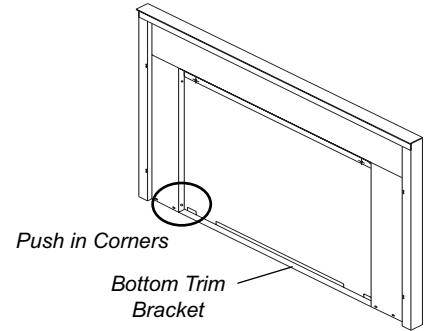
- 1) Hold the full screen faceplate up against the unit in order to make the following wire connections.

Pull the ON/OFF connector wires thru the box and connect them to the switch.

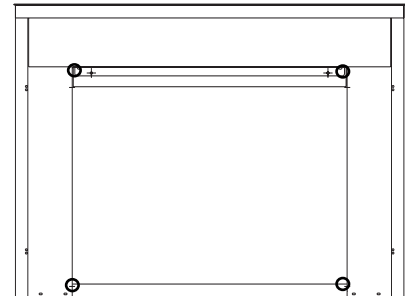
Connect the fan switch wires with the wire connectors from the fan speed control. Place clips over wires and tuck into side trim.



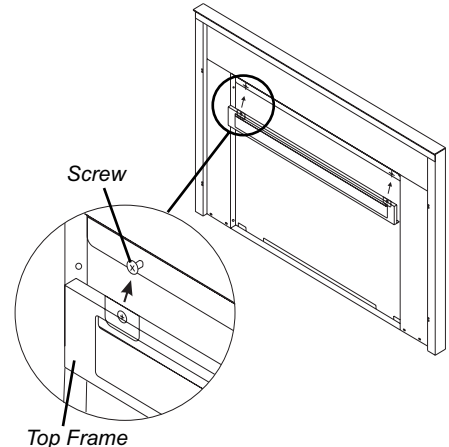
- 2) Lift the unit up slightly and push down on the corners of the Bottom Trim Bracket and slide under unit.



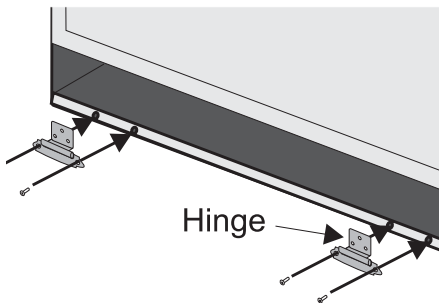
- 3) Completely secure faceplate to the unit by securing 4 screws to the Left and Right Side Trim.



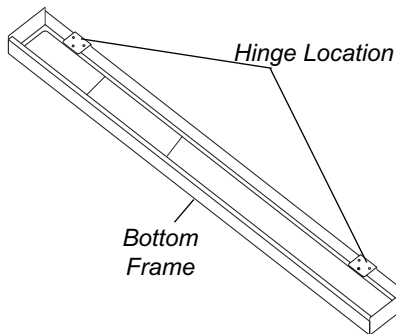
- 4) Install the Top Frame by hooking it onto the two screws at the top of the full screen door. It is held in place by magnets.



- 5) Install Spring Hinges to the Left and Right Side of the bottom of the firebox using 2 screws per hinge.

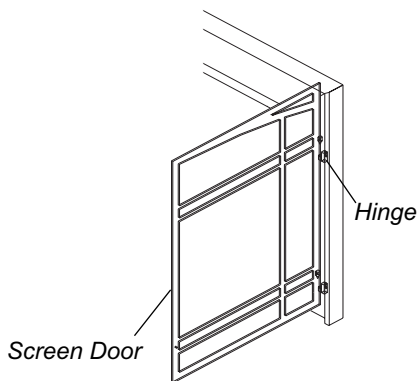


- 6) Place Bottom Frame near hinge. Flip hinge over Bottom Frame and secure with 3 screws each.



- 7) Install the Left and Right Side Screen Doors by placing over top of the hinges on the faceplate. Hold the door at a 45 degree angle to avoid scratching the faceplate.

- 8) Close screen doors.

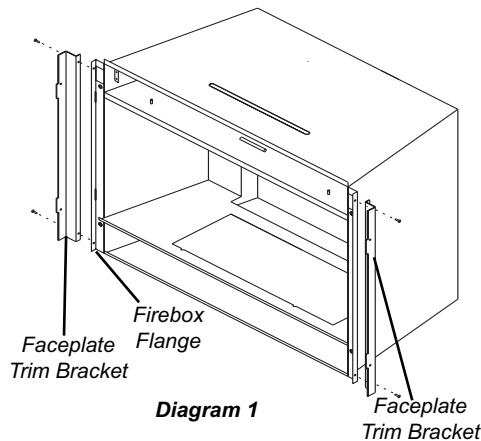


EXCALIBUR SURROUND INSTALLATION

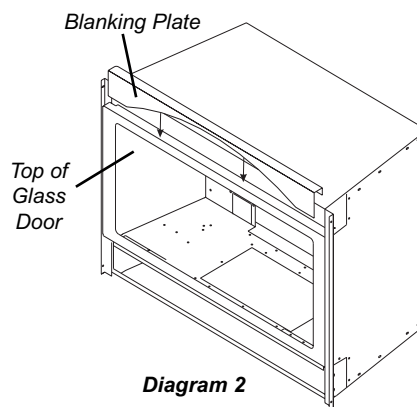
IMPORTANT NOTE:

When using the Surround, the unit must be set 1" further into the fireplace than the standard faceplate installation. See page 6 for the Minimum Fireplace Opening Excalibur Option.

- 1) Align the left side Faceplate Trim Bracket with the Firebox Flange and secure using 2 screws as shown in diagram 1. Repeat for right side.



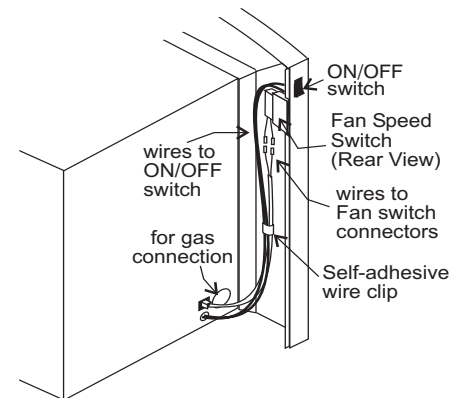
- 2) Push the Blanking Plate down on top of the Glass Door (refer to Diagram 2).



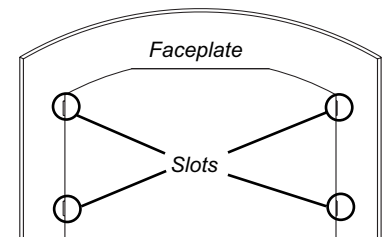
- 3) Hold the Faceplate Trim up against the unit in order to make the following wire connections.

- 3a) Pull the ON/OFF connector wires from the firebox and connect them to the switch.

- 3b) Connect the fan switch wires with the wire connectors from the fan speed control. Place clips over wires and tuck into side trim.



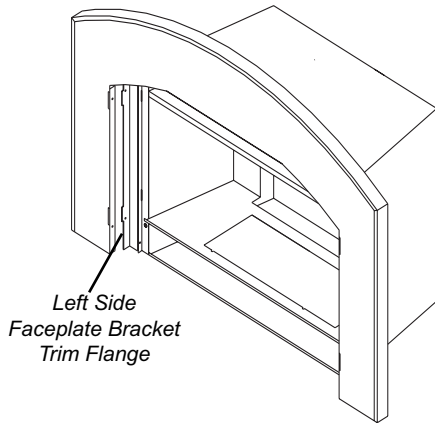
- 4) Secure the Faceplate by sliding the slots in the Faceplate into the flanges on the left and right side Faceplate Trim Brackets. Once the Faceplate is in place secure using 2 screws per side.



NOTE: If you are installing the Excalibur, the minimum fireplace dimensions are as follows:

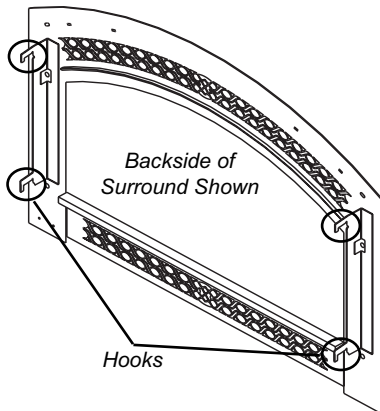
Width (at front): 34-1/2" (876mm)
Depth: 17-3/4" (451mm)
Height: 26" (660mm)

INSTALLATION



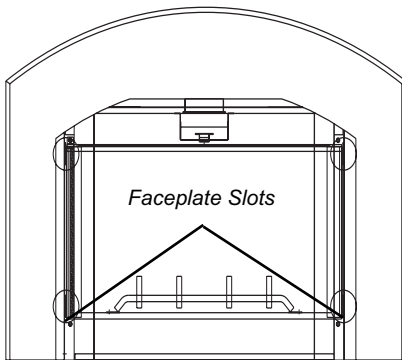
Left Side
Faceplate Bracket
Trim Flange

- 5) Place the bottom hooks of the Surround into the bottom slots of the Faceplate. Slightly pull up the Surround and push the top hooks into the top slots of the Faceplate. Push down to secure. Tug on the Surround to ensure it is securely locked in place.

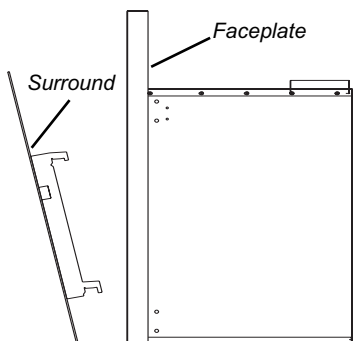


Backside of
Surround Shown

Hooks



Faceplate Slots

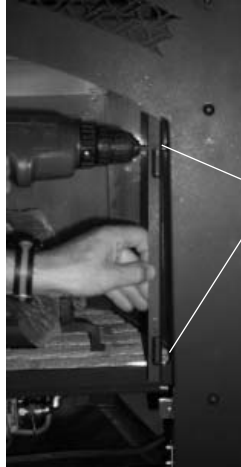


Faceplate

Surround

OPTIONAL SCREEN DOORS

- 1) Attach door bracket to sides using 4 screws.



Door Bracket
attaches with
2 screws on
each side.

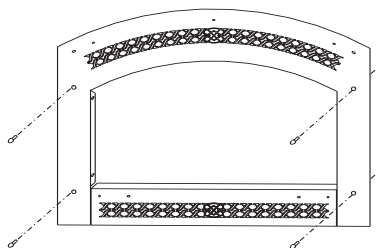
Double Screen Door: attach to left and right side of unit.

- 2) Slide the door(s) onto the hinges.



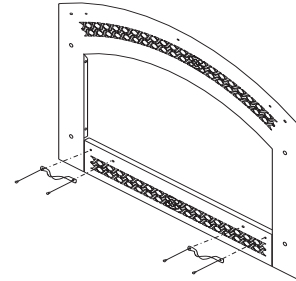
ACCENT KIT INSTALLATION

- 1) Remove the rivets from the surround by pulling off the hoseclamp (located at the backside of surround) with a screwdriver or pleyer. Re-install the rivets by putting them through the holes on the sides of the surround.



- 2) Take the hoseclamps and put them over the back of each rivet. Squeeze the hoseclamp to secure onto rivets ensuring that the hoseclamp is touching the back side of the surround. The hoseclamp can now be released.

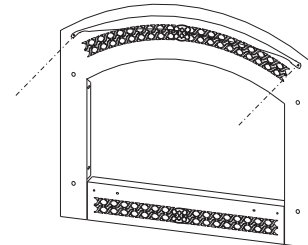
- 3) Remove the handles by removing the nut and screw. Install the new handles by placing them in position over the holes on the surround louver. Put the screws through the holes and secure them by tightening them with a nut.



- 4) Place the emblem over the emblem design on the surround. Insert the studs through the holes. To secure them first put on the split lock washer and then the nut and tighten.

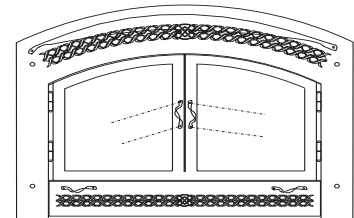


- 5) Remove the 2 studs on the sides of the Hood. Insert the new studs through the holes and secure them by first putting on the washer and then tighten with a nut.



DOUBLE DOOR OPTION

Remove the handles by removing the nut and screw. Install the new handles by placing them in position over the holes on the door(s). Put the studs through the holes and secure them by tightening them with a nut.

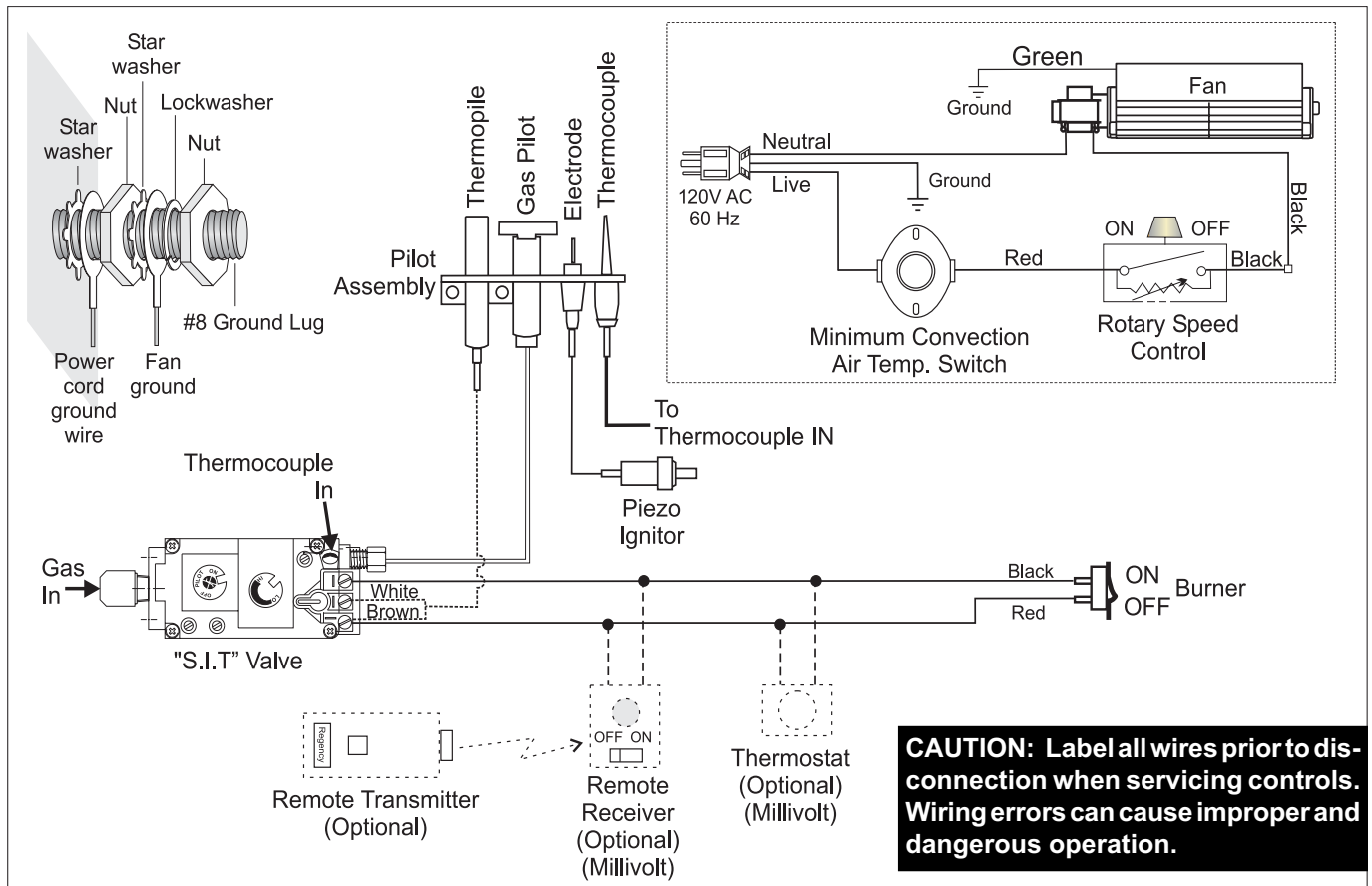


WIRING DIAGRAM

This heater does not require a 120V A.C. supply for operation. However, a 120V A.C. power supply is needed for the fan/blower operation.

Caution: Ensure that the wires do not touch any hot surfaces and are away from sharp edges.

WARNING: Electrical Grounding Instructions
This appliance is equipped with a three pronged (grounding) plug for your protection against shock hazard and should be plugged directly into a properly grounded three-prong receptacle. Do not cut or remove the grounding prong from this plug.



OPTIONAL REMOTE CONTROL

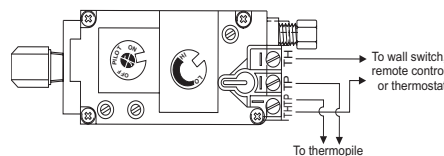
Use the FPI Remote Control Kit approved for this unit. Use of other systems may void your warranty.

The remote control kit comes with a hand held transmitter, a receiver and a wall mounting plate.

- 1) Choose a convenient location on the wall to install the receiver and the receptacle box (protection from extreme heat is very important). Run wires from the fireplace to that location. Use Thermostat Wire Table.
- 2) Connect the wires as per the wiring diagrams below.

CAUTION
Do not connect the millivolt remote control wires to the 120V wires.

- 3) Install 3 AAA alkaline batteries in transmitter and 4 AA alkaline batteries in the receiver. Install the receiver and its cover in the wall. Switch the remote receiver to "remote" mode. The remote control is now ready for operation.



OPTIONAL WALL THERMOSTAT

A wall thermostat may be installed if desired, follow the wiring diagram below. Note: the wires are connected to the "TH" on the gas valve. Use the table below to determine the maximum wire length. FPI offers an optional programmable thermostat but any 250-750 millivolt rated non-anticipator type thermostat that is CSA, ULC or UL approved may be used.

It is recommended that the thermostat be installed on an interior wall.

CAUTION
Do not connect the millivolt wall thermostat wires to the 120V wires.

OPERATING INSTRUCTIONS

Thermostat Wire Table

Recommended Maximum Lead Length (Two-Wire) When Using Wall Thermostat (CP-2 System)	
Wire Size	Max. Length
14 GA.	50 Ft.
16 GA.	32 Ft.
18 GA.	20 Ft.
20 GA.	12 Ft.
22 GA.	9 Ft.

FINAL CHECK

Before leaving this unit with the customer, the installer must ensure that the appliance is firing correctly. This includes:

- 1) Clocking the appliance to ensure the correct firing rate (rate noted on label) at 15 minutes.
- 2) If required, adjusting the primary air to ensure that the flame does not carbon. First allow the unit to burn for 15 min. to stabilize.
- 3) Check for proper draft.

CAUTION

Any alteration to the product that causes sooting or carboning that results in damage to the exterior facia is not the responsibility of the manufacturer.

FIRST FIRE

The first fire in your stove is part of the paint curing process. To ensure that the paint is properly cured, it is recommended that you burn your fireplace for at least four (4) hours the first time you use it with the fan on. When first operated, the unit will release an odour caused by the curing of the paint, the burning off of any oils remaining from manufacturing. Smoke detectors in the house may go off at this time. Open a few windows to ventilate the room for a couple of hours.

The glass panel may require cleaning after the unit has cooled down.

DO NOT ATTEMPT TO CLEAN THE GLASS WHILE IT IS HOT.

Note: When the glass is cold and the appliance is lit, it may cause condensation and fog the glass. This condensation is normal and will disappear in a few minutes as the glass heats up.

DO NOT BURN THE APPLIANCE WITHOUT THE GLASS FRONT IN PLACE.

During the first few fires, a white film may develop on the glass front as part of the curing process. The glass should be cleaned or the film will bake on and become very difficult to remove. Use a non-abrasive cleaner and NEVER clean the glass while it is hot.

OPERATING INSTRUCTIONS

- 1) Read and understand these instructions before operating this appliance.
- 2) Check to see that all wiring is correct and enclosed to prevent possible shock.
- 3) Check to ensure there are no gas leaks.
- 4) Make sure the glass in the door frame is properly positioned. Never operate the appliance with the glass removed.
- 5) Verify that the venting and cap are unobstructed.
- 6) Ensure that the brick panels, if used, are installed.
- 7) Verify log placement. If the pilot cannot be seen when lighting the unit, the logs have been incorrectly positioned.
- 8) The unit should never be turned off, and on again without a minimum of a 60 second wait.

LIGHTING PROCEDURE

IMPORTANT

Prior to igniting or reigniting the pilot, remove the glass door.

Only when the pilot holds, without pressure being applied to the control knob, should you reinstall the glass door. The unit must not be operated with the glass door removed.

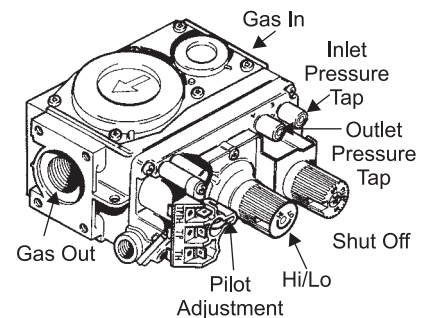
IMPORTANT: Gas cock knob cannot be turned from "PILOT" to "OFF" unless it is partially depressed.

- 1) Turn burner OFF using "ON/OFF" switch.

- 2) Turn gas control knob so indicator points to "OFF" position and allow 5 minutes for any gas in the combustion chamber to escape.
- 3) Turn gas control knob counterclockwise so indicator points to the "PILOT" position. Depress the gas control knob fully. Depress the ignitor button several times until the pilot lights. After approximately one minute, release the gas control knob. The pilot flame should continue to burn. If the pilot does not remain lit, repeat operation allowing a longer period before releasing gas control knob.
- 4) When the pilot stays lit, turn the gas knob further counterclockwise to the "ON" position.
- 5) Reinstall the glass door (refer to page 14).
- 6) Use the switch, thermostat or remote control to turn on the unit.
- 7) Rotate the flame height regulator to adjust the flame height higher or lower.

SHUTDOWN PROCEDURE

- 1) Use the switch, thermostat or remote control to turn off the main burner.
- 2) Turn the main gas control clockwise to the "OFF" position to turn off the pilot.
- 3) Turn off all electric power to appliance if service is to be performed.



OPERATING INSTRUCTIONS

COPY OF LIGHTING INSTRUCTION PLATE

AUTOMATIC CONVECTION FAN OPERATION

FOR YOUR SAFETY READ BEFORE LIGHTING

This appliance must be installed in accordance with local codes, if any; if none, follow the National Fuel Gas Code, ANSI Z223.1/NFPA 54, or Natural Gas and Propane Installation Codes, CSA B149.1 (Australia: AG601, New Zealand: NZS 5261)

WARNING: If you do not follow these instructions exactly, a fire or explosion may result causing property damage, personal injury or loss of life. Improper installation, adjustment, alteration, service or maintenance can cause injury or property damage. Refer to the owner's information manual provided with this appliance. For assistance or additional information consult a qualified installer, service agency or gas supplier.

A) This appliance has a pilot which must be lighted by hand. When lighting the pilot, follow these instructions exactly.

B) BEFORE LIGHTING smell all around the appliance area for gas. Be sure to smell next to the floor because some gas is heavier than air and will settle on the floor.

WHAT TO DO IF YOU SMELL GAS

- Do not try to light any appliance.
- Do not touch any electric switch, do not use any phone in your building.
- Immediately call your gas supplier from a neighbour's phone. Follow the gas supplier's instructions.
- If you cannot reach your gas supplier, call the fire department.

C) Use only your hand to push in or turn the gas control knob. Never use tools. If the knob will not push in or turn by hand, don't try to repair it, call a qualified service technician. Force or attempted repair may result in a fire or explosion.

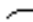
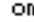
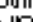
D) Do not use this appliance if any part has been under water. Immediately call a qualified service technician to inspect the appliance and to replace any part of the control system and any gas control which has been under water.

E) This appliance needs fresh air for safe operation and must be installed so there are provisions for adequate combustion and ventilation air.

CAUTION: Hot while in operation. Do not touch. Severe Burns may result. Due to high surface temperatures keep children, clothing and furniture, gasoline and other liquids having flammable vapors away. Keep burner and control compartment clean. See installation and operating instructions accompanying appliance.

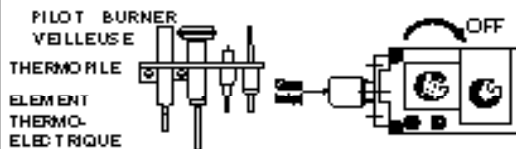
LIGHTING INSTRUCTIONS

STOP! Read the safety information above on this label.

- 1) Push in gas control knob slightly and turn clockwise  to "OFF". Knob cannot be turned from "PILOT" to "OFF" unless knob is pushed in slightly. Do not force.
- 2) Wait five (5) minutes to clear out any gas. If you then smell gas **STOP!** Follow step "B" in the Safety Information above on this label. If you don't smell gas, go to the next step.
- 3) Turn knob on gas control counter-clockwise  to "PILOT".
- 4) Push in control knob all the way and hold in. Continually push and release the black button on spark igniter until pilot lights. Continue to hold the control knob in for about 1/2 minute after the pilot is lit. Release knob and it will pop back up. Pilots should remain lit. If it goes out, repeat steps 1) to 4). If knob does not pop up when released, stop and immediately call your service technician or gas supplier.
- 5) Turn gas control knob counter-clockwise  to "ON".
- 6) Use rocker switch to operate main burner.

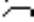
PILOT BURNER
VILLEUSE

THERMOPILE
ELEMENT
THERMO-
ELECTRIQUE



TO TURN OFF GAS APPLIANCE

You may shut off the pilot during prolonged non use periods to conserve fuel.

- 1) Push in the gas control knob slightly and turn clockwise  to "OFF". Do not force.
- 2) Turn off all electric power to the appliance if service is to be performed.

DO NOT REMOVE THIS INSTRUCTION PLATE 908-017b

The fan operates automatically. Turn the knob on the side of the faceplate to adjust to the desired speed. The fan will turn on as the stove comes up to operating temperature. After the unit has been turned off and the unit has been cooled to below useful heat output range, the fan will shut off automatically.

NORMAL OPERATING SOUNDS OF GAS APPLIANCES

It is possible that you will hear some sounds from your gas appliance. This is perfectly normal due to the fact that there are various gauges and types of steel used within your appliance. Listed below are some examples. All are **normal operating sounds** and should not be considered as defects in your appliance.

Blower:

FPI gas appliances use high tech blowers to push heated air farther into the room. It is not unusual for the fan to make a "whirring" sound when ON. This sound will increase or decrease in volume depending on the speed setting of your fan speed control.

Burner Tray:

The burner tray is positioned directly under the burner tube(s) and logs and is made of a different gauge material from the rest of the firebox and body. Therefore, the varying thicknesses of steel will expand and contract at slightly different rates which can cause "ticking" and "cracking" sounds. You should also be aware that as there are temperature changes within the unit. These sounds will likely re-occur. Again, this is normal for steel fireboxes.

Blower Thermodisc:

When thermally activated switch turns ON, it will create a small "clicking" sound. This is the contact switch closing.

Pilot Flame:

While the pilot flame is on it will make a slight "whisper" sound.

Gas Control Valve:

As the gas control valve turns ON and OFF, a dull clicking sound may be heard. This is normal operation of a gas regulator or valve.

Unit Body and Firebox:

Different types and thicknesses of steel will expand and contract at different rates resulting in some "cracking" and "ticking" sounds which will be heard throughout the cycling process.

MAINTENANCE

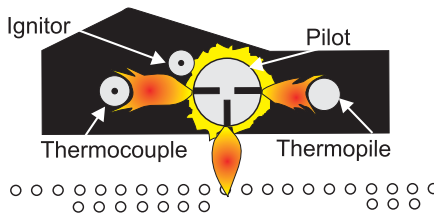
MAINTENANCE INSTRUCTIONS

- 1) Always turn the gas valve to the off position before cleaning. For relighting, refer to lighting instructions. Keep the burner and control compartment clean by brushing and vacuuming at least once a year. When cleaning the logs, use a clean soft paint brush as the logs are fragile and easily damaged.
- 2) Clean (never when unit is hot) appliance, door and louvers with a damp cloth. Never use an abrasive cleaner. The optional finishes on louvers and doors may be scratched if abrasives are used to clean them. The heater is finished in a heat resistant paint and should only be refinished with heat resistant paint (not with wall paint). FPI uses StoveBrite Paint - Metallic Black #6309.
- 3) Make a periodic check of the burner for proper position and condition. Visually check the flame of the burner periodically, making sure the flames are steady: not lifting or floating. If there is a problem, call a qualified service person.
- 4) The appliance and venting system must be inspected before use, and at least annually, by a qualified field service person, to ensure that the flow of combustion and ventilation air is not obstructed. During the annual service call, the burners should be removed and cleaned from the burner tray.
- 5) Keep the area near the appliance clear and free from combustible materials, gasoline and other flammable vapours and liquids.

CLOTHING OR OTHER FLAMMABLE MATERIAL SHOULD NOT BE PLACED ON OR NEAR THE APPLIANCE.

- 6) Each time the appliance is lit, it may cause condensation and fog the glass. This condensation and fog is normal and will disappear in a few minutes as the glass heats up.
Never operate the appliance without the glass properly secured in place or with the door open.
- 7) Do not use this appliance if any part has been under water. Immediately call a qualified service technician to inspect the appliance and to replace any part of the control system and any gas control which has been under water.
- 8) Periodically check the pilot flames. Correct flame pattern has three strong blue flames: 1 flowing around the thermopile and 1 around the thermocouple, and 1 flowing across the front of the burner.

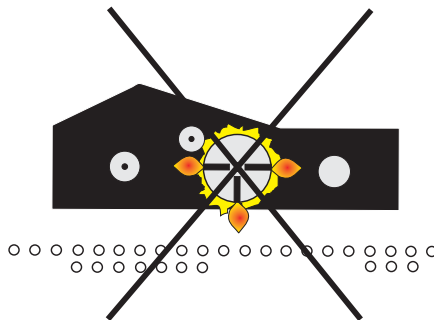
Note: If you have an incorrect flame pattern, contact your FPI dealer for further instructions.



Front Burner Tube

Top view of pilot flame

Incorrect flame pattern will have small, probably yellow flames, not coming into proper contact with the rear of the burner or thermopile.



Front Burner Tube

Top View of pilot flame

GENERAL VENT MAINTENANCE

Conduct an inspection of the venting system semi-annually. Recommended areas to inspect as follows:

- 1) Check the Venting System for corrosion in areas that are exposed to the elements. These will appear as rust spots or streaks, and in extreme cases, holes. These components should be replaced immediately.
- 2) Remove the Termination Cap, and shine a flashlight down the Vent. Remove any bird nests, or other foreign material.
- 3) Check for evidences of excessive condensation, such as water droplets forming in the inner liner, and subsequently dripping out the joints. Continuous condensation can cause corrosion of caps, pipe, and fittings. It may be caused by having excessive lateral runs, too many elbows, and exterior portions of the system being exposed to cold weather.
- 4) Inspect joints to verify that no pipe sections or fittings have been disturbed, and consequently loosened. Also check mechanical supports such as Wall Straps, or plumbers' tape for rigidity.

LOG REPLACEMENT

The unit should never be used with broken logs. Turn off the gas valve and allow the unit to cool before opening door to carefully remove the logs. The pilot light generates enough heat to burn someone. If for any reason a log should need replacement, you must use the proper replacement log. The position of these logs must be as shown in the diagram under Log Installation.

NOTE: Improper positioning of logs may create carbon build-up and will alter the unit's performance which is not covered under warranty.

GLASS GASKET

If the glass gasket requires replacement use a tadpole gasket for the Flush Front (Part # 936-155).

STEEL OR GOLD TRIM

The steel or 24 carat gold plated finish on the louvers requires little maintenance, and need only be cleaned with a damp cloth. DO NOT use abrasive materials or chemical cleaners, as they may harm the finish and void the warranty.

Clean any fingerprints off before turning the unit on. If the top louvers start to discolour, check the door gasket seal and replace if necessary.

WARNING: CHILDREN AND ADULTS SHOULD BE ALERTED TO THE HAZARDS OF HIGH SURFACE TEMPERATURE AND SHOULD STAY AWAY TO AVOID BURNS OR CLOTHING IGNITION. YOUNG CHILDREN SHOULD BE CAREFULLY SUPERVISED WHEN THEY ARE IN THE SAME ROOM AS THE APPLIANCE.

CAUTION: ANY SAFETY SCREEN OR GUARD REMOVED FOR SERVICING AN APPLIANCE MUST BE REPLACED PRIOR TO OPERATING THE APPLIANCE.

DOOR GLASS

Your FPI stove is supplied with high temperature, 5 mm Neoceram ceramic glass that will withstand the highest heat that your unit will produce. Do not abuse the glass by striking the surface or by slamming the door shut.

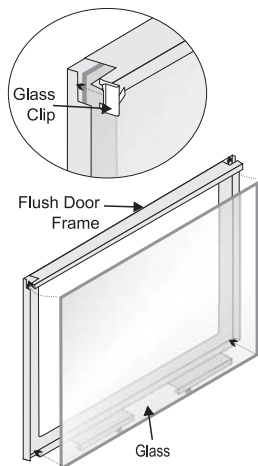
If your glass requires cleaning, we recommend using an approved glass cleaner available at all authorized dealers. **Do not use abrasive materials. Do not clean the glass when hot.**

In the event that you break your glass by impact, purchase your replacement from an authorized FPI dealer only, do not use substitute materials. Follow our step-by-step instructions for replacement. **Warning: Wear gloves when removing damaged or broken glass.**

Caution: Do not operate appliance with glass panels removed, cracked or broken. Replacement of the glass should be done by a licensed or qualified service person.

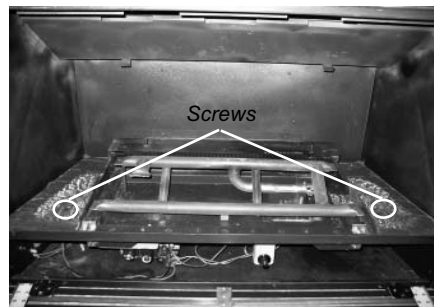
Flush Glass Replacement

Remove the flush door front (refer to page 14). Remove the 4 glass clips from each corner. Slide in the new replacement glass. Push the 4 glass clips back onto the frame.



To Remove Fan:

- 1) Turn the unit off and allow it to cool down to room temperature.
- 2) Unplug or disconnect power source to stove.
- 3) Remove the flush door (refer to p.14).
- 4) Remove logs and grate (refer to p.10).
- 5) Remove optional brick panel set, if installed (refer to page 9).
- 6) Remove base brick set. (When removing base brick sides the two screws that hold the grate down must be removed first).

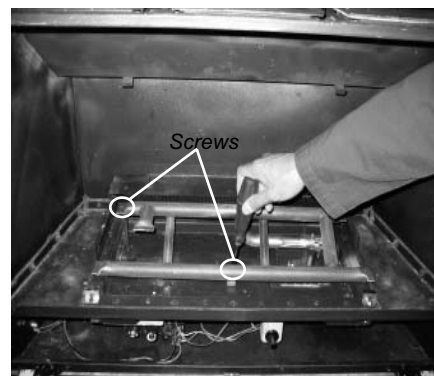


- 7) Straighten the adjustment wire under the firebox base.

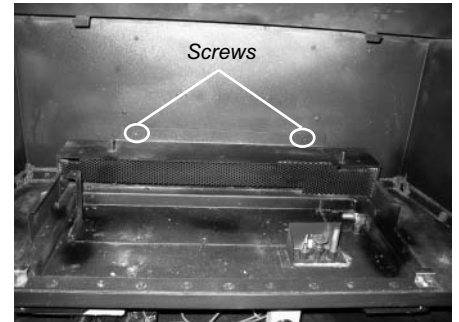


Straighten adjustment wire.

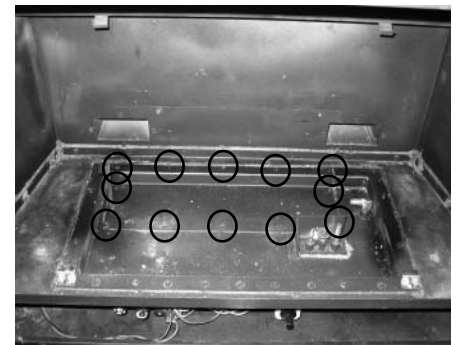
- 8) Remove the Burner by removing the 2 screws (1 on burner bracket and one on valve tray). Tilt up the left burner and slide to the left away from the orifice.



- 9) Remove the rear log support by unscrewing the 2 screws.

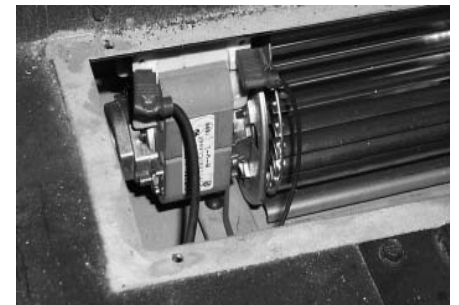


- 10) Remove the 12 screws holding the Access Panel in place.

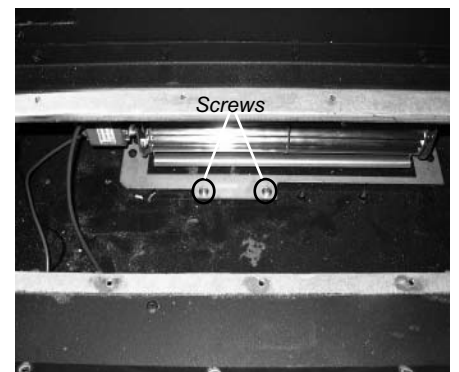


Fan Access Plate Screws

- 11) Unplug the wires from the fan motor (from inside the stove).



- 12) Remove the 2 screws from the fan bracket.



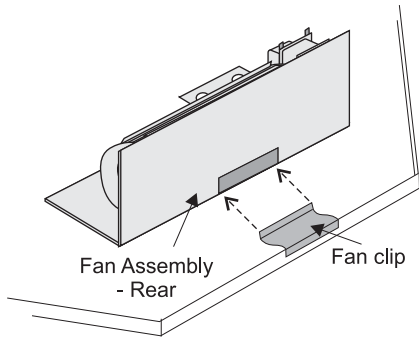
FAN MAINTENANCE

If your fan requires maintenance or replacement, access to the fan is through the plate on the floor of the firebox. **NOTE: the unit MUST NOT be operated without the fan access panel securely in place.**

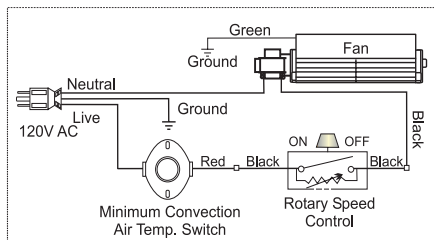
Caution: Label all wires prior to disconnecting when servicing controls. Wiring errors can cause improper and dangerous operation. Verify proper operation after servicing.

MAINTENANCE

- 13) Pull Fan Assembly forward, to disengage the fan clip on the rear wall. Then lift the Fan Assembly up and pull through firebox opening.



- 14) Disconnect green wire from power cord.



Replacing fan:

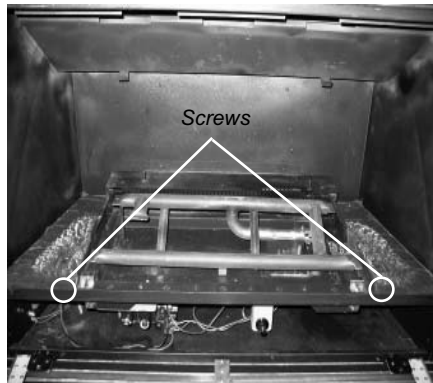
- 15) Reverse above steps.

Seal fan access panel using high temperature silicone (sparingly).

VALVE ASSEMBLY REMOVAL AND INSTALLATION

- 1) Turn the unit off and allow it to cool down to room temperature.
- 2) Unplug or disconnect power source.
- 3) Shut off the main gas supply.
- 4) Remove the louvers and glass door (refer to page 14).
- 5) Remove logs and grate (refer to page 10).
- 6) Remove optional brick set, if installed (refer to page 9).

- 7) Remove base brick set. (When removing base brick sides the two screws that hold the grate down must be removed first).

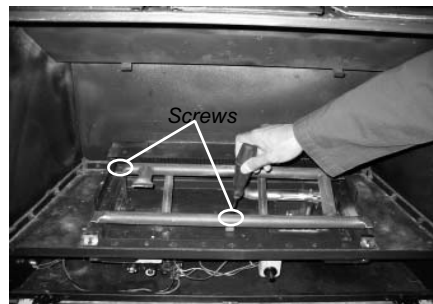


- 8) Straighten the adjustment wire under the firebox base.

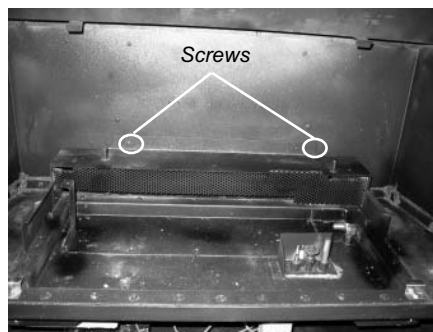


Straighten adjustment wire.

- 9) Remove the Burner by removing the 2 screws (1 on burner bracket and one on valve tray). Tilt up the left burner and slide to the left away from the orifice.



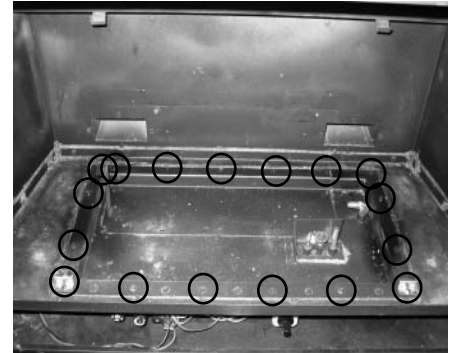
- 10) Remove the rear log support by unscrewing the 2 screws.



- 11) Disconnect the inlet gas line.

- 12) Unplug the black and red wires at the valve. Undo the 2 TP wires at the valve.

- 13) Remove the 17 screws on the valve tray.



- 14) Take out the valve tray from the unit.



- 15) Scrape off the old gasket from the floor of the firebox and from the valve access plate.

- 16) Install new gasket and valve assembly (reverse steps 9-14).

NOTE: Failure to install a new gasket may severely affect the appliance performance.

- 17) Hook up gas line and check for gas leaks with soap and water solution or a gas leak detector. **Do not use open flame for leak testing.**

- 18) Set up the air shutter to 5/16" for NG and 7/16" for LP.

- 19) Fire up the unit temporarily.

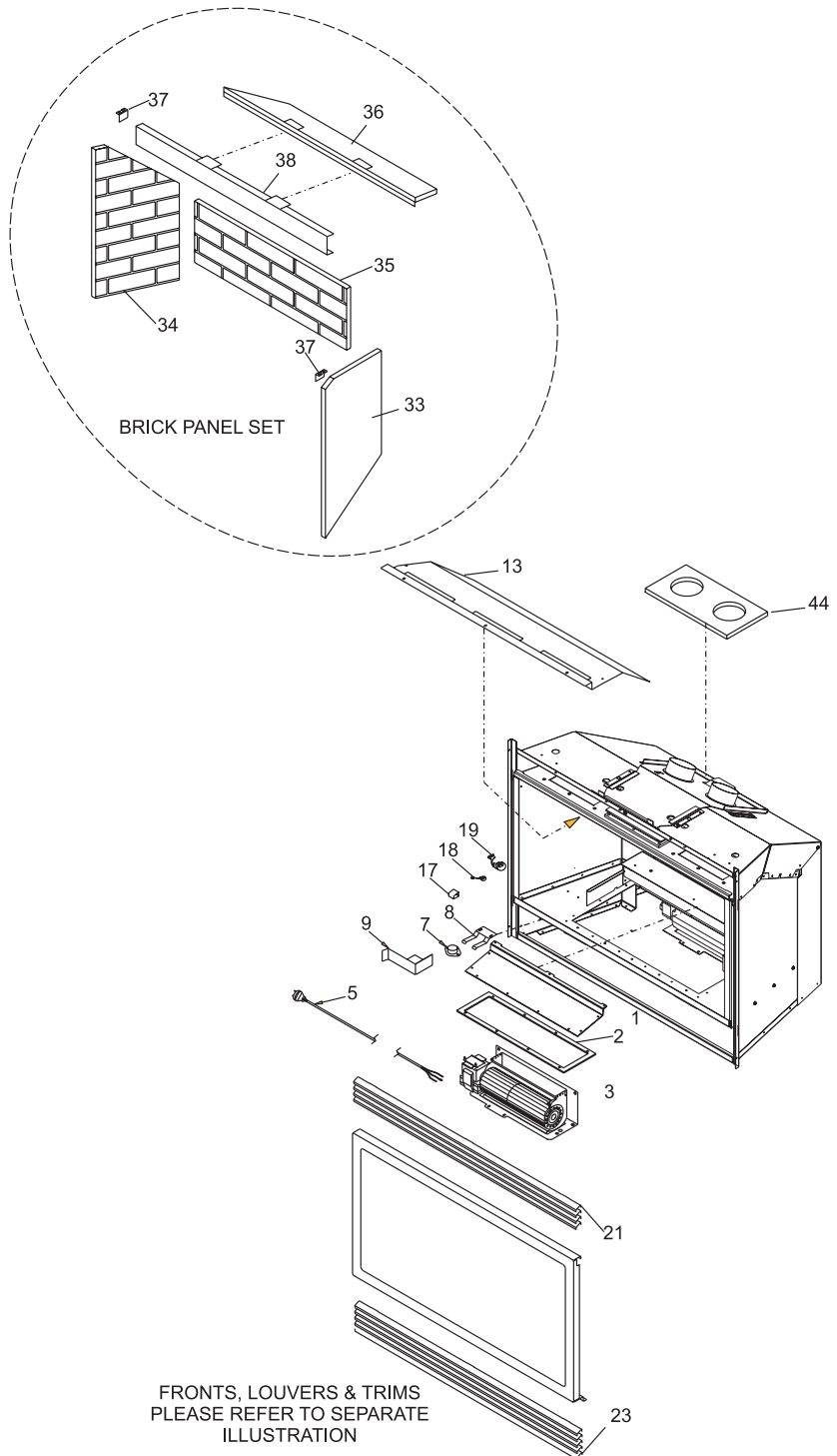
- 20) Check the manifold pressure 3.8" W.C. for NG and 11" W.C. for LP.

- 21) Reverse steps 4-8.

MAIN ASSEMBLY

Part #	Description
1) 340-038	Fan Access Plate
2) 340-103	Gasket - Fan Access Plate
3) 320-517/P	Fan Assembly 120 V
910-331/P	Fan Motor 120 V
5) 910-750	Power Cord
910-752	Wire Harness (Faceplate)
910-692	Wire Fan to Power Cord
910-737	Wire Valve to Spill Switch
7) 910-142	Fan Auto On/Off Thermodisc
8) *	Thermodisc Bracket
9) 320-070	Fan Switch Cover
13) *	Baffle Plate
17) *	Wire Holder Clip
18) *	Strain Relief
19) *	Grommet for Power Cord
340-924	Flush Louvers (Set) - Black/Gold
340-922	Flush Louvers (Set) - Black
340-926	Flush Louvers (Set) - Black/Steel
21) *	Top Flush Louver
23) *	Bottom Flush Louver
340-901	Brick Panel Set - Standard Brown
340-902	Brick Panel Set - Standard Red
33) *	Brick Panel - Right
34) *	Brick Panel - Left
35) *	Brick Panel - Back
36) *	Brick Panel - Top
37) 511-031	Brick Clips
340-094	Bottom Clips
340-043	Top Bracket
340-528	Base Brick Panel (3pc)
38) 340-043	Brick Front Trim
43) *	Stove Top
44) 340-099	Gasket Vent
918-408	Manual

* Not available as a replacement part.

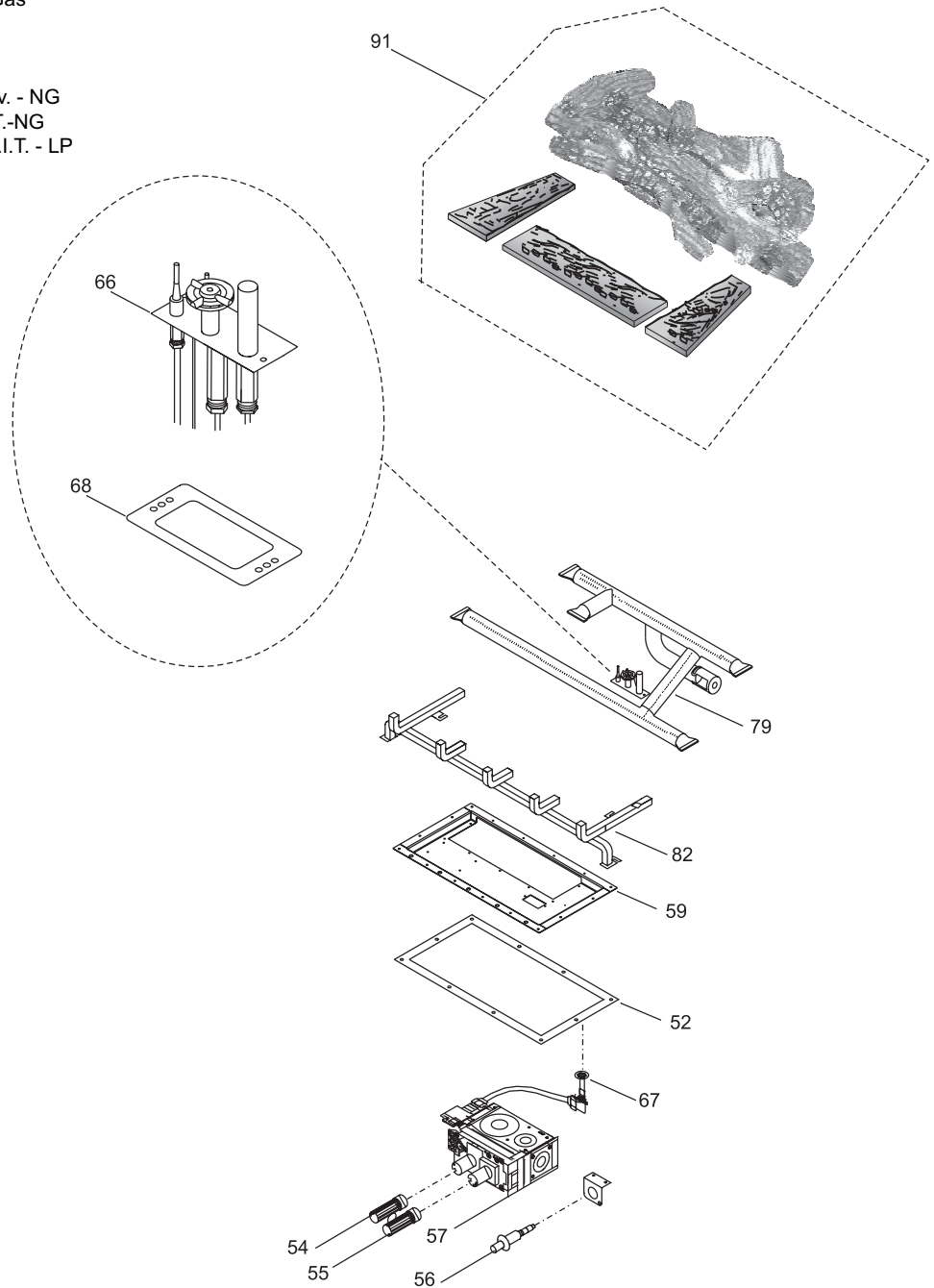


PARTS LIST

BURNER & LOG ASSEMBLY

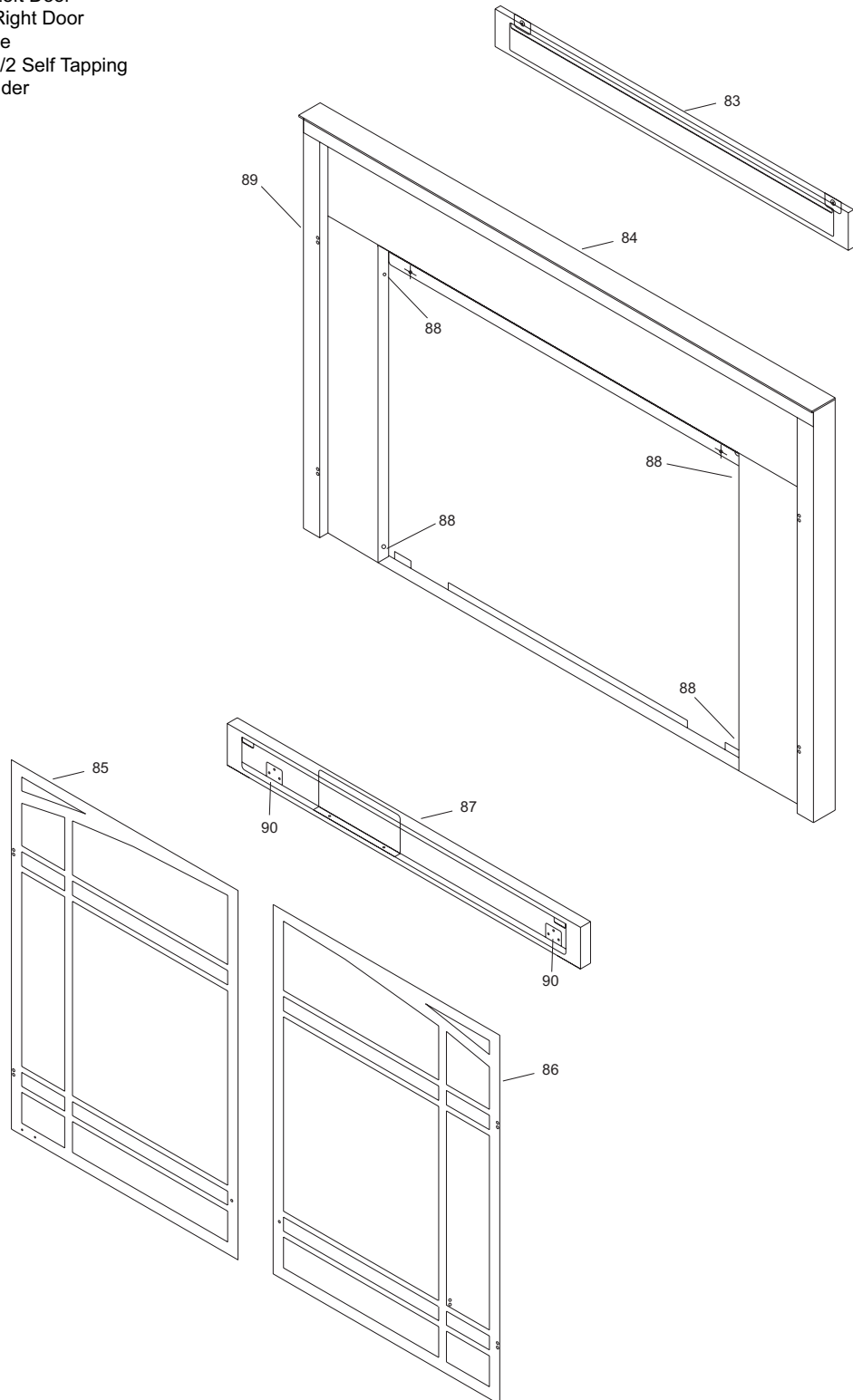
Part #	Description
52) 340-104	Gasket - Valve Tray
340-574/P	Valve Assembly - NG
340-576/P	Valve Assembly - LP
56) 910-190	Piezo Ignitor and Nut
57) 910-378	Valve - S.I.T. - Natural Gas
910-380	Valve - S.I.T. - Propane
59) *	Valve Tray
910-034	Pilot Assy-3 Flame Conv. - NG
66) 910-038	Pilot Assy-3 Flame-S.I.T.-NG
910-039	Pilot Assy - 3 Flame - S.I.T. - LP
67) 904-690	Orifice #31 - NG
904-641	Orifice #50 - LP
936-170	Orifice Gasket
68) W840470	Pilot Assembly Gasket
79) 948-433	Burner Assy - NG/LP
82) 511-030	Burner Grate Assy
360-014	Log Tray Rear
91) 340-930	Log Set
902-567	Bottom Log
902-568	Center Top Log
902-569	Front Log
902-570	Left Log
902-571	Right Log
902-572	Top Left Log
902-573	Rear Log
902-574	Top Right Log

* Not available as a replacement part.



FULL SCREEN FRONT INSTALLATION

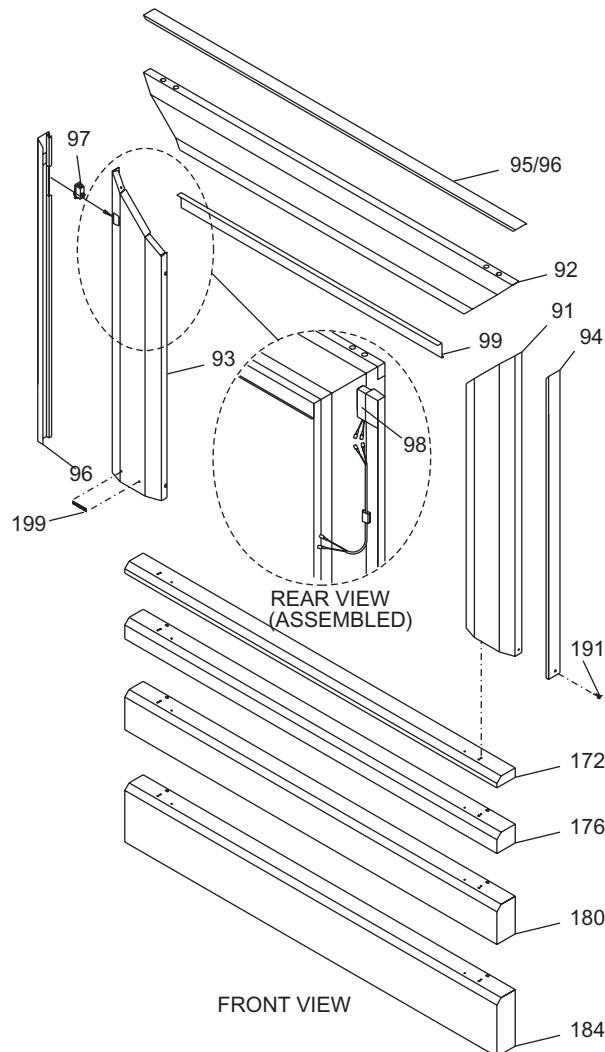
Part #	Description
83)	Top Frame
84) 340-910	Full Screen Door - Black
85)	Full Screen Left Door
86)	Full Screen Right Door
87)	Bottom Frame
88)	Screw #8 x 1/2 Self Tapping
89) 910-199	Wire Clip Holder
90) 948-042	Hinge Spring



PARTS LIST

FACEPLATES, TRIMS AND HEARTHHS

Part #	Description	Part #	Description	
340-918	Faceplates and Trim (Complete) with Black Trim	172)	320-940	Hearth Trim - 1"
340-919	Oversized Faceplate	176)	320-942	Hearth Trim - 2"
74) 904-569	Fan Speed Control Knob	180)	320-944	Hearth Trim - 4"
91) *	Faceplate Side - Right	184)	320-946	Hearth Trim - 6"
92) *	Faceplate - Top	186)	904-586	Speed Control Knob c/w Spring Clip
93) *	Faceplate Side - Left Assy	190)	*	Screw #8 x 1/2" Black Self-tapping
		191)	*	Screw #8 x 1/2" Brass Plated Self-tapping
		199)	948-216	Regency Logo
340-532	Trim Set Packaged - Black	* Not available as a replacement part.		
340-533	Oversized Trim Set Packaged - Black			
340-950	Trim Set Packaged - Brass			
94) *	Trim Side - Right			
95) *	Trim - Top			
96) *	Trim Side - Left Assy			
97) 910-246	Burner ON/OFF Switch			
98) 910-330	Fan Speed Control 120 V			
99) *	Faceplate Filler			





FPI Fireplace Products are designed with reliability and simplicity in mind. In addition, our internal Quality Assurance Team carefully inspects each unit thoroughly before it leaves our facility. FPI Fireplace Products International Ltd. is pleased to extend this limited lifetime warranty to the original purchaser of a FPI Product. This warranty is not transferable.

The Warranty: Limited Lifetime

The combustion chamber, heat exchanger, burner tubes/pans, logs, brick panels and gold plating (against defective manufacture only) are covered under the Limited Lifetime Warranty for five (5) years for parts and subsidized labour* and parts only thereafter.

Glass is covered for lifetime against thermal breakage only, parts and subsidized labour* for five (5) years and parts only thereafter from date of purchase.

External casting, surrounds and grills are covered against cracks and warps resulting from manufacturer defects, parts and subsidized labour* for three (3) years from the date of purchase and parts only thereafter.

Special Finishes - One year on brushed nickel and antique copper full screens and doors. You can expect some changes in color as the product "ages" with constant heating and cooling. FPI warrants the product for any manufacturing defects on the original product. However, the manufacturers warranty does not cover changing colors and marks, ie. finger prints, etc applied after the purchase of the product. Damage from the use of abrasive cleaners is not covered by warranty.

Electrical and mechanical components such as blowers, switches, wiring, thermodiscs, FPI remote controls, spill switches, thermopiles, thermocouples, pilot assembly components, and gas valves are covered for one year parts and subsidized labour* from the date of purchase. Blowers and valves replaced under warranty are considered repairs and continue as if new with appliance. ie. twelve (12) months from original purchase date of appliance with a minimum of three (3) months coverage from date of replacement.

FPI venting components are covered parts and subsidized labour* for three (3) years from date of purchase.

Simpson Dura-Vent venting components (Direct Vent units) are covered by Simpson Dura-Vent Inc. warranty.

Conditions:

Any part or parts of this unit which in our judgement show evidence of such defects will be repaired or replaced at FPI's option, through an accredited distributor or agent provided that the defective part be returned to the distributor or agent **Transportation Prepaid**, if requested.

Porcelain/Enamel - Absolute perfection is either guaranteed nor commercially possible. Any chips must be reported and inspected by an authorized dealer within three days of installation. Reported damage after this time will be subject to rejection.

It is the general practice of FPI to charge for larger, higher priced replacement parts and issue credit once the replaced component has been returned to FPI and evaluated for manufacturer defect.

The authorized selling dealer is responsible for all in-field service work carried out on your FPI product. FPI will not be liable for results or costs of workmanship from unauthorized service persons or dealers.

At all times FPI reserves the right to inspect product in the field which is claimed to be defective.

All claims must be submitted to FPI by authorized selling dealers. It is essential that all submitted claims provide all of the necessary information including customer name, purchase date, serial #, type of unit, problem, and part or parts requested, without this information the warranty will be invalid.

Exclusions:

This limited Lifetime Warranty does not extend to or include paint, door or glass gasketing or trim.

At no time will FPI be liable for any consequential damages which exceed the purchase price of the unit. FPI has no obligation to enhance or modify any unit once manufactured. ie. as products evolve, field modifications or upgrades will not be performed.

FPI will not be liable for travel costs for service work.

Installation and environmental problems are not the responsibility of the manufacturer and therefore are not covered under the terms of this warranty policy.

Embers, rockwool, gaskets, door handles and paint are not covered under the terms of this warranty policy.

Any unit which shows signs of neglect or misuse is not covered under the terms of this warranty policy.

The warranty will not extend to any part which has been tampered with or altered in any way, or in our judgment has been subject to misuse, improper installation, negligence or accident, spillage or downdrafts caused by environmental or geographical conditions, inadequate ventilation, excessive offsets, negative air pressure caused by mechanical systems such as furnaces, fans, clothes dryer, etc.

Freight damage to stoves and replacement parts is not covered by warranty and is subject to a claim against the freight carrier by the dealer.

FPI will not be liable for acts of God, or acts of terrorism, which cause malfunction of the appliance.

Performance problems due to operator error will not be covered by this warranty policy.

Products made or provided by other manufacturers and used in conjunction with the operation of this appliance without prior authorization from FPI, may nullify your warranty on this product.

Any alteration to the unit which causes sooting or carboning that results in damage to the interior / exterior facia is not the responsibility of FPI.

* Subsidy according to job scale as predetermined by FPI.



FPI fireplace products are designed with reliability and simplicity in mind. In addition, our internal Quality Assurance Team carefully inspects each unit thoroughly before it leaves our door.

Fireplace Products International Ltd. is pleased to extend this Limited Lifetime Warranty to the original purchaser of a FPI Product.

See the inside back cover for details.

**Register your Regency online at
<http://www.regency-fire.com>**

Installer: Please complete the following information

Dealer Name & Address: _____

Installer: _____

Phone #: _____

Date Installed: _____

Serial No.: _____