



Pro Series Freestanding Woodstove Owners & Installation Manual



French Manual Download: <https://bit.ly/3qvWvSf>
Manuel en Français : <https://bit.ly/3qvWvSf>

www.regency-fire.com

MODEL: F3500

Tested by:



0219WS018S

Installer: Please complete the details on the back cover and leave this manual with the homeowner.
Homeowner: Please keep these instructions for future reference.

Thank you for purchasing a
REGENCY FIREPLACE PRODUCT.

The pride of workmanship that goes into each of our products will give you years of trouble-free enjoyment. Should you have any questions about your product that are not covered in this manual, please contact the **REGENCY DEALER** in your area.

"This wood heater has a manufacturer set minimum low burn rate that must not be altered. It is against federal regulations to alter this setting or otherwise operate this wood heater in a manner inconsistent with operating instructions in this manual." Failure to follow the manual details can lead to smoke and CO emissions spilling into the home. It is recommended to have monitors in areas that are expected to generate CO such as heater fueling areas.

**"U.S. ENVIRONMENTAL PROTECTION AGENCY Certified to comply with 2020 particulate emission standards using cord wood."
Tested and listed to ASTM E3053 Model Regency F3500 – 0.9g/hr.**

"This manual describes the installation and operation of the Regency F3500 catalytic equipped wood heater. This heater meets the 2020 U.S. Environmental Protection Agency's crib wood emission limits for wood heaters. Under specific test conditions this heater has been shown to deliver heat at rates ranging from 10,704 BTU/hr. to 36,174 BTU/hr." Efficiency is determined using the B415 method resulting in lower and higher heat values. This heater generates the best efficiency when operated using well-seasoned wood and installed in the main living areas where the majority of the chimney is within the building envelope. "This wood heater contains a catalytic combustor, which needs periodic inspection and replacement for proper operation.

It is against federal regulation to operate this wood heater in a manner inconsistent with operating instructions in this manual, or if the catalytic element is deactivated or removed."

CAUTION: BURN UNTREATED WOOD ONLY. OTHER MATERIALS SUCH AS WOOD PRESERVATIVES, METAL FOILS, COAL, PLASTIC, GARBAGE, SULPHUR OR OIL MAY DAMAGE THE CATALYST

"This heater is designed to burn natural wood only. Higher efficiencies and lower emissions generally result when burning air dried seasoned hardwoods, as compared to softwoods or to green or freshly cut hardwoods."

DO NOT BURN:

- Treated wood
- Coal
- Garbage
- Cardboard
- Solvents
- Colored Paper
- Bio Bricks
- Trash
- Lawn clippings or yard waste
- Materials containing rubber including tires
- Materials containing plastic
- Waste petroleum products , paints or paint thinners or asphalt products
- Materials containing asbestos
- Construction or demolition debris
- Railroad ties
- Manure or animal remains
- Saltwater driftwood or other previously salt water saturated materials
- Unseasoned wood
- Paper products, cardboard, plywood or particle board. The prohibition against burning these materials does not prohibit the use of fire starters made from paper, cardboard, saw dust, wax and similar substances for the purpose of starting a fire in a wood heater.

Burning these materials may result in release of toxic fumes or render the heater ineffective and cause smoke.

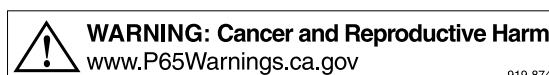
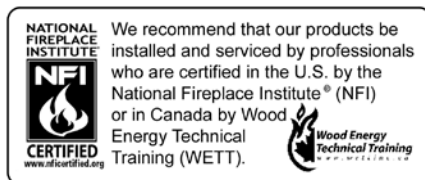
The authority having jurisdiction (such as Municipal Building Department, Fire Department, Fire Prevention Bureau, etc.) should be consulted before installation to determine the need to obtain a permit.

Note: Due to the high efficiency of the F3500 unit. **Double wall pipe** is recommended from the stove top to either wall or roof exit. A minimum of 36" vertical rise is required prior to using any elbows.

This unit must be connected to either a listed factory built chimney suitable for use with solid fuels and conforming to, ULC629 in Canada or UL-103HT in the United States of America. or code approved masonry chimney with flue liner.

F3500 is tested and certified to ULC-S627-00 and UL1482-2011 (R 2015).

SAVE THESE INSTRUCTIONS



919-874

Safety Label for F3500.....4

Dimensions

Unit Dimensions.....5
 Wood Stove Outside Air Dimensions6

Installation

Residential Installation.....7
 Modular Installation Options.....7
 Room Air - Important7
 Stove Assembly Prior To Installation8
 Minimum Clearance To Combustible Materials.....9
 Floor Protection.....10
 Wall Exit Clearance Factory Built Chimney11
 Masonry Fireplace11
 Combustible Wall Chimney Connector Pass-throughs..12
 Step-by-Step Chimney And Connector Installation13
 Recommended Heights For Woodstove Flue14
 Mobile Home Installation15
 Optional Outside Air Kit16
 Listed Components For Mobile Home Installation17
 Stainless Steel Smoke Deflector
 Installation/Replacement18
 Brick Installation19
 Removable Door Handle20
 Fan Installation21

Operating Instructions

Seasoned Firewood22
 Operating Instructions23
 Draft Control.....23
 First Fire.....23
 Fan Operation24
 Ash Disposal24
 Safety Guidelines and Warnings.....24
 Troubleshooting Guide25
 Maintenance26
 Creosote.....26
 Door Catch Adjustment.....26
 Door Gasket.....26
 Glass Maintenance26
 Wood Storage26
 Glass Replacement26
 Catalytic Combustor27
 Combustor Assembly Removal/Replacement.....28
 Bypass Door Gasket Replacement29
 Bypass Door Bolt Bracket Assembly Replacement30
 Secondary Air Tube Removal/Installation.....30
 Door Catch Adjustment.....31
 Door Hinge Adjustment31
 Annual Maintenance32

Parts List

F3500 Stove Main Assembly.....33
 F3500 Stove Brick Layout.....34
 Door Assembly35

Warranty

Warranty36

CAUTION: To avoid burns or wood splinters, when opening/closing the fuel door or adding wood to the fire, You should always wear appropriate protective gloves to protect your hands from the heat being emitted from this fireplace.


safety decal

This is a copy of the label that accompanies each Regency Freestanding Woodstove (F3500). We have printed a copy of the contents here for your review.

NOTE: Regency units are constantly being improved. Check the label on the unit and if there is a difference, the label on the unit is the correct one.

The serial # label will be affixed to the rear heat-shield and will be located on the right hand side if facing the unit from the front.

SAFETY LABEL FOR F3500



0219WS018S

LISTED ROOM HEATER, SOLID FUEL TYPE, ALSO FOR USE IN MOBILE HOME INSTALLATION

MODEL: REGENCY FREESTANDING STOVE - F3500
TESTED TO: UL-1482-2011 (R 2015) / ULC-S627-00

431

DO NOT REMOVE THIS LABEL

431

U.S. ENVIRONMENTAL PROTECTION AGENCY CERTIFIED TO COMPLY WITH 2020 PARTICULATE EMISSION STANDARDS USING "CORD WOOD." TESTED TO ASTM E3053. MODEL REGENCY F3500 - 0.9G AHR. THIS WOOD HEATER NEEDS PERIODIC INSPECTION AND REPAIR FOR PROPER OPERATION. CONSULT THE OWNER'S MANUAL FOR FURTHER INFORMATION. IT IS AGAINST FEDERAL REGULATIONS TO OPERATE THIS WOOD HEATER IN A MANNER INCONSISTENT WITH THE OPERATING INSTRUCTIONS IN THE OWNER'S MANUAL.

CERTIFIÉ CONFORMÉ AUX NORMES 2020 DU U.S. ENVIRONMENTAL PROTECTION AGENCY EN MATIÈRE D'ÉMISSION DE PARTICULES DE BOIS AVEC DU BOIS DE CORDE. APPROUVÉ ASTM E3053. MODÈLE REGENCY F3500 - 0.9 G / H. CET APPAREIL DE CHAUFFAGE AU BOIS DOIT ÊTRE INSPECTÉ PÉRIODIQUEMENT ET RÉPARÉ POUR FONCTIONNER CORRECTEMENT. CONSULTEZ LE MANUEL D'INSTALLATION POUR PLUS D'INFORMATION. LA RÉGLEMENTATION FÉDÉRALE INTERDIT DE FAIRE FONCTIONNER UN TEL APPAREIL SI LES CONSIGNES D'UTILISATION CONTENUES DANS LE PRÉSENT MANUEL NE SONT PAS RESPECTÉES.

INSTALL AND USE ONLY IN ACCORDANCE WITH THE MANUFACTURER'S INSTALLATION AND OPERATING INSTRUCTIONS. CONTACT LOCAL BUILDING OR FIRE OFFICIALS ABOUT RESTRICTIONS AND INSTALLATION INSPECTION IN YOUR AREA. USE 6" (152MM) DIAMETER MINIMUM 24 MSG BLACK OR 26 MSG BLUED STEEL CONNECTOR WITH LISTED UL103 HT or ULC5629 FACTORY-BUILT CHIMNEY SUITABLE FOR USE WITH SOLID FUELS OR MASONRY CHIMNEY.

ISELOCAL BUILDING CODE AND MANUFACTURER'S INSTRUCTIONS FOR PRECAUTIONS REQUIRED FOR PASSING A CHIMNEY THROUGH A COMBUSTIBLE WALL OR CEILING. DO NOT PASS CHIMNEY CONNECTOR THROUGH COMBUSTIBLE WALL OR CEILING. DO NOT CONNECT THIS UNIT TO A CHIMNEY FLUE SERVING ANOTHER APPLIANCE.

CAUTION: BURNING OF MATERIAL OTHER THAN THE SPECIFIED FUELS MAY MAKE THE CATALYST IN THE COMBUSTOR INACTIVE. THE COMBUSTOR IS FRAGILE. HANDLE CAREFULLY.

THE PERFORMANCE OF THE CATALYTIC DEVICE OR ITS DURABILITY HAS NOT BEEN EVALUATED AS PART OF THE CERTIFICATION.

INSTALLER ET UTILISER SEULEMENT SELON LES INSTRUCTIONS D'INSTALLATION ET D'UTILISATION DU FABRICANT.

CONTACTER LES RESPONSABLES DU BÂTIMENT OU DU SERVICE INCENDIE DE VOTRE RÉGION POUR CONNAÎTRE LES RESTRICTIONS ET EXIGENCES D'INSPECTION DANS VOTRE RÉGION. UTILISER UN CONNECTEUR D'UN DIAMÈTRE MINIMAL DE 152 MM (6 PO) 24 MSG EN ACIER NOIR OU 26 MSG EN ACIER BRONZE AVEC CHEMINÉE PREFABRIQUÉE HOMOLOGUÉE CONÇUE POUR UTILISATION AVEC COMBUSTIBLES SOLIDES OU UNE CHEMINÉE DE MAÇONNERIE.

VOIR LE CODE DU BÂTIMENT LOCAL ET LES INSTRUCTIONS DU FABRICANT CONCERNANT LES PRÉCAUTIONS EXIGÉES POUR INSTALLER UNE CHEMINÉE TRAVERSANT UN MUR OU PLAFOND EN MATÉRIEL COMBUSTIBLES. NE FAITES PAS TRAVERSER LE CONNECTEUR DE CHEMINÉE DANS UN MUR OU PLAFOND EN MATÉRIEL COMBUSTIBLES. NE RACCORDEZ PAS CE POÈLE À UN CONDUIT DE CHEMINÉE DESERVANT UN AUTRE APPAREIL.

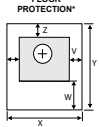
CERTIFICATION AU MAISON MOBILE. APPAREIL DE CHAUFFAGE AMBIANT HOMOLOGUÉ À COMBUSTIBLE SOLIDE. CONVENEANT AUSSI POUR INSTALLATION DANS UNE MAISON MOBILE.

MINIMUM CLEARANCES TO COMBUSTIBLE MATERIALS

INSTALLATION USING 6" SINGLE WALL OR LISTED DOUBLE WALL CONNECTOR ONLY. RESIDENTIAL ALCOVE, MOBILE HOME


To Top of stove: A) 279mm / 11"	To Flue Centre Line: E) 406mm / 16"
To Rear Shield: B) 241mm / 9.5"	To Flue Centre Line: F) 521mm / 20-1/2"
To Corner of Stove: C) 203mm / 8"	Alcove width: G) 1524mm / 60"
To Flue Centre Line: D) 610mm / 24"	To Top of Flue: H) 152mm / 6"

FLOOR PROTECTION*



In USA:
V 203 mm / 8"
W 406 mm / 16"
X 635 mm / 25"
Y 1181 mm / 46-1/2"
Z 203 mm / 8"

In Canada:
V 203 mm / 8"
W 450 mm / 18"
X 635 mm / 25"
Y 1232 mm / 48-1/2"
Z 203 mm / 8"



MANUFACTURED BY:
FPI FIREPLACE PRODUCTS INTERNATIONAL LTD.
6988 VENTURE ST.
DELTA, BC V4G 1H4
MADE IN CANADA

MINIMUM PARALLEL / ALCOVE CEILING HEIGHT: 2.1 M / 83" MAXIMUM ALCOVE DEPTH 1219 MM / 48 IN.
HAUTEUR MINIMALE DU PLAFOND DE L'ALCÔVE: 2,1 M / 83PO. PROFONDEUR MAXIMALE DE L'ALCÔVE: 1219 MM / 48 PO.

WARNING: THE SPACE BENEATH THE HEATER MUST NOT BE OBSTRUCTED. OPERATE ONLY WITH FIREBRICKS IN PLACE.
FOR USE WITH SOLID WOOD FUEL ONLY. USE OF OTHER FUELS MAY DAMAGE HEATER AND CREATE A HAZARDOUS CONDITION. DO NOT OBSTRUCT COMBUSTION AIR OPENINGS. OPERATE ONLY WITH FIREBRICKS IN PLACE. RISK OF SMOKE AND FLAME SPILLAGE. OPERATE ONLY WITH DOORS FULLY CLOSED. DO NOT USE GRATE OR ELEVATE FIRE. BURN WOOD FIRE DIRECTLY ON HEARTH OR DO NOT OVERFIRE. IF HEATER OR CHIMNEY CONNECTOR GLOWS YOU ARE OVERFIRING. INSPECT AND CLEAN CHIMNEY AND CONNECTOR FREQUENTLY. UNDER CERTAIN CONDITIONS OF USE CREOSOTE BUILDUP MAY OCCUR RAPIDLY. KEEP FURNISHINGS AND OTHER COMBUSTIBLE MATERIAL AWAY FROM HEATER. REFRIGERATE GLASS ONLY WITH NON-COMBUSTIBLE MATERIAL EXTENDING BENEATH THE HEATER AND TO THE FRONT AND SIDES AS INDICATED OR TO THE NEAREST PERMITTED COMBUSTIBLE MATERIAL.

OPTIONAL COMPONENTS: PART 805-030: ARIMATE. OUTSIDE AIR KIT: ASH DRAWER, COMBUSTOR PART 805-030

THIS WOOD HEATER CONTAIN A CATALYTIC COMBUSTOR WHICH REQUIRES PERIODIC INSPECTION AND REPLACEMENT FOR PROPER OPERATION. IT IS AGAINST THE LAW TO OPERATE THIS WOOD HEATER IN A MANNER INCONSISTENT WITH OPERATING INSTRUCTIONS IN INSTRUCTION MANUAL, OR IF THE CATALYTIC ELEMENT IS DEACTIVATED OR REMOVED.

DANGER: RISK OF ELECTRIC SHOCK. DISCONNECT POWER BEFORE SERVICING UNIT. DO NOT ROUTE POWER CORD UNDER OR IN FRONT OF APPLIANCE.
SAUTONNE: MOUVRE PARTS MAY CAUSE INJURY DO NOT OPERATE UNIT WITH FAB HOUSING REMOVED.

SAUTONNE: HOT PARTS. DO NOT OPERATE UNIT WITH DOOR OR GLASS REMOVED.

COMPONENTS REQUIRED FOR MOBILE HOME INSTALLATION: OUTSIDE AIR KIT AND ONE OF THE FOLLOWING DOUBLE WALL CONNECTOR

IN CANADA: LISTED SECURITY MODEL DP OR OLIVER MCL600 PRO VENT PV DOUBLE WALL CONNECTOR WITH LISTED CHIMNEY SYSTEM LISTED SECURITY MODEL SECURITY S2100+, ICC EXCEL 2100, SIMPSON DURA-PLUS HTC, SELKIRK SENTINAL CF.

IN USA: LISTED DOUBLE WALL CONNECTORS SECURITY MODEL DP, SELKIRK MODEL DS, OLIVER MCL600 PRO VENT PV, SIMPSON DURA VENT MODEL DVL, METAL-FAB DOUBLE WALL, CONNECTED TO ONE OF THE FOLLOWING COMPATIBLE CHIMNEY SYSTEMS SELKIRK SURE-TEMP, PROJET Nova Temp, SECURITY SECURE TEMP ASH, SECURITY SECURE TEMP S-2100+, METAL-FAB TEMP GUARD 2100, AMERI-TECH HS, ICC EXCEL 2100. USE CHIMNEY COMPONENTS AS SPECIFIED IN INSTALLATION INSTRUCTIONS.

AVERTISSEMENT: L'ESPACE SITUÉ SOUS L'APPAREIL DE CHAUFFAGE NE DOIT PAS ÊTRE OBSTRUÉ, FAIRE FONCTIONNER SEULEMENT LORSQUE LES BRIQUES SONT EN PLACE.
À UTILISER SEULEMENT AVEC UN COMBUSTIBLE DE BOIS SOLIDE. L'UTILISATION D'AUTRES COMBUSTIBLES PEUT ENDOMMAGER L'APPAREIL DE CHAUFFAGE ET PRÉSENTER UN DANGER. NE PAS OBSTRUER LES OUVERTURES DE LAIR DE COMBUSTION, FAIRE FONCTIONNER SEULEMENT LORSQUE LES BRIQUES SONT EN PLACE. RISQUE DE FUMÉE ET DÉBOÎTEMENT DES FLAMMES. FAIRE FONCTIONNER SEULEMENT AVEC LES PORTES COMPLÈTEMENT FERMÉES. NE PAS UTILISER DE GRILLE NI SURÉLÈVER LE FEU. FAIRE LE FEU DIRECTEMENT SUR LÂTRE. NE PAS SURCHAUFFER. SI LE POÈLE OU LE CONNECTEUR DE CHEMINÉE ROUGE, IL Y A SURCHAUFFE. INSPECTER ET FAIRE RAMONER FRÉQUEMMENT LA CHEMINÉE ET LE CONNECTEUR. DANS CERTAINES CONDITIONS D'UTILISATION, UN DÉPÔT DE CREOSOTE PEUT SE FORMER RAPIDEMENT. TENIR LES MEUBLES ET TOUT AUTRE MATÉRIEL COMBUSTIBLE À DISTANCE DU FEU. REMPLACER LA VITRE SEULEMENT PAR UNE VITRE NÉCESSAIRE. LE PLANCHER COMBUSTIBLE DOIT ÊTRE PROTÉGÉ PAR UN MATÉRIEL NON COMBUSTIBLE SE PROLONGEANT L'APPAREIL, À L'AVANT ET SUR LES CÔTÉS, TEL, OU MOUVÉ, OU JUSQU'AU MATÉRIEL COMBUSTIBLE LE PLUS PROCHE PERMIS.

PIÈCES EN OPTION: VENTILATEUR (845-915), ALIMENTATION ÉLECTRIQUE (VOLTS 115,60 HZ, 2 AMPS; DIFFUSEUR ARMATE, DISPOSITIF D'AIR EXTÉRIEUR, TIROIR À CREOSOTE, CATALYSEUR (805-030).

CET APPAREIL AU BOIS COMPREND UN CATALYSEUR DE POST-COMBUSTION QUI A BESOIN D'ÊTRE INSPECTÉ ET REMPLACÉ RÉGULIÈREMENT POUR UN FONCTIONNEMENT ADÉQUAT. LA RÉGLEMENTATION INTERDIT DE FAIRE FONCTIONNER CET APPAREIL DE CHAUFFAGE AU BOIS SI LES CONSIGNES D'UTILISATION CONTENUES DANS LE PRÉSENT MANUEL NE SONT PAS RESPECTÉES OU SI L'ÉLÉMENT CATALYTIC EST DÉSACTIVÉ OU RETIRÉ.

DANGER: RISQUE D'ÉLECTROCUTION. DÉBRANCHER L'ALIMENTATION ÉLECTRIQUE AVANT L'ENTRETIEN DE L'APPAREIL. NE PAS PLACER LE CORDON D'ALIMENTATION ÉLECTRIQUE AU DÉSOUS OU DEVANT L'APPAREIL.

ATTENTION: LE DÉPLACEMENT DES PIÈCES PEUT CAUSER DES BLESSURES. NE PAS FAIRE FONCTIONNER L'APPAREIL SANS LE VENTILATEUR.

ATTENTION: PIÈCES CHAUDES. NE PAS FAIRE FONCTIONNER L'APPAREIL SANS LA PORTE OU LA VITRE.

COMPONENTS REQUIS POUR UNE INSTALLATION DANS UNE MAISON MOBILE: DISPOSITIF D'AIR EXTÉRIEUR ET UN DES CONNECTEURS À DOUBLE PAROI SURVANTS.

AU CANADA: CONNECTEURS À DOUBLE PAROI HOMOLOGUÉS MODÈLES SECURITY DP, SELKIRK DS, OLIVER MCL600 PRO VENT PV AVEC SYSTÈME DE CHEMINÉE HOMOLOGUÉE I: MODÈLE DE CHEMINÉE HOMOLOGUÉE SECURITY S2100+, ICC EXCEL 2100, SIMPSON DURA-PLUS HTC, SELKIRK SENTINAL CF.

AUX ÉTATS-UNIS: CONNECTEURS À DOUBLE PAROI HOMOLOGUÉS MODÈLES SECURITY DP, SELKIRK DS, OLIVER MCL600 PRO VENT PV, SIMPSON DURANT VENT DVL, METAL-FAB RELIÉS À L'UN DES SYSTÈMES DE CHEMINÉE COMBUSTIBLES SURVANTS: SELKIRK SURE-TEMP, PROJET NOVA TEMP, SECURITY SECURE TEMP ASH, SECURITY SECURE TEMP S-2100+, METAL-FAB TEMP GUARD 2100, AMERI-TECH HS, ICC EXCEL 2100. UTILISER LES PIÈCES DE CHEMINÉE COMME SPÉCIFIÉ DANS LES CONSIGNES D'INSTALLATION.

CAUTION

HOT WHILE IN OPERATION DO NOT TOUCH. KEEP CHILDREN, CLOTHING AND FURNITURE AWAY. CONTACT MAY CAUSE SKIN BURNS. READ NAMEPLATE AND INSTRUCTIONS.

ATTENTION

CHAUD EN COURS DE FONCTIONNEMENT. NE PAS TOUCHER, ÉLOIGNER LES ENFANTS, LES VÊTEMENTS ET LES MEUBLES DE L'APPAREIL. LE CONTACT AVEC L'APPAREIL PEUT OCCASIONNER DES BRÛLURES. LIRE CETTE ÉTIQUETTE ET LES CONSIGNES.

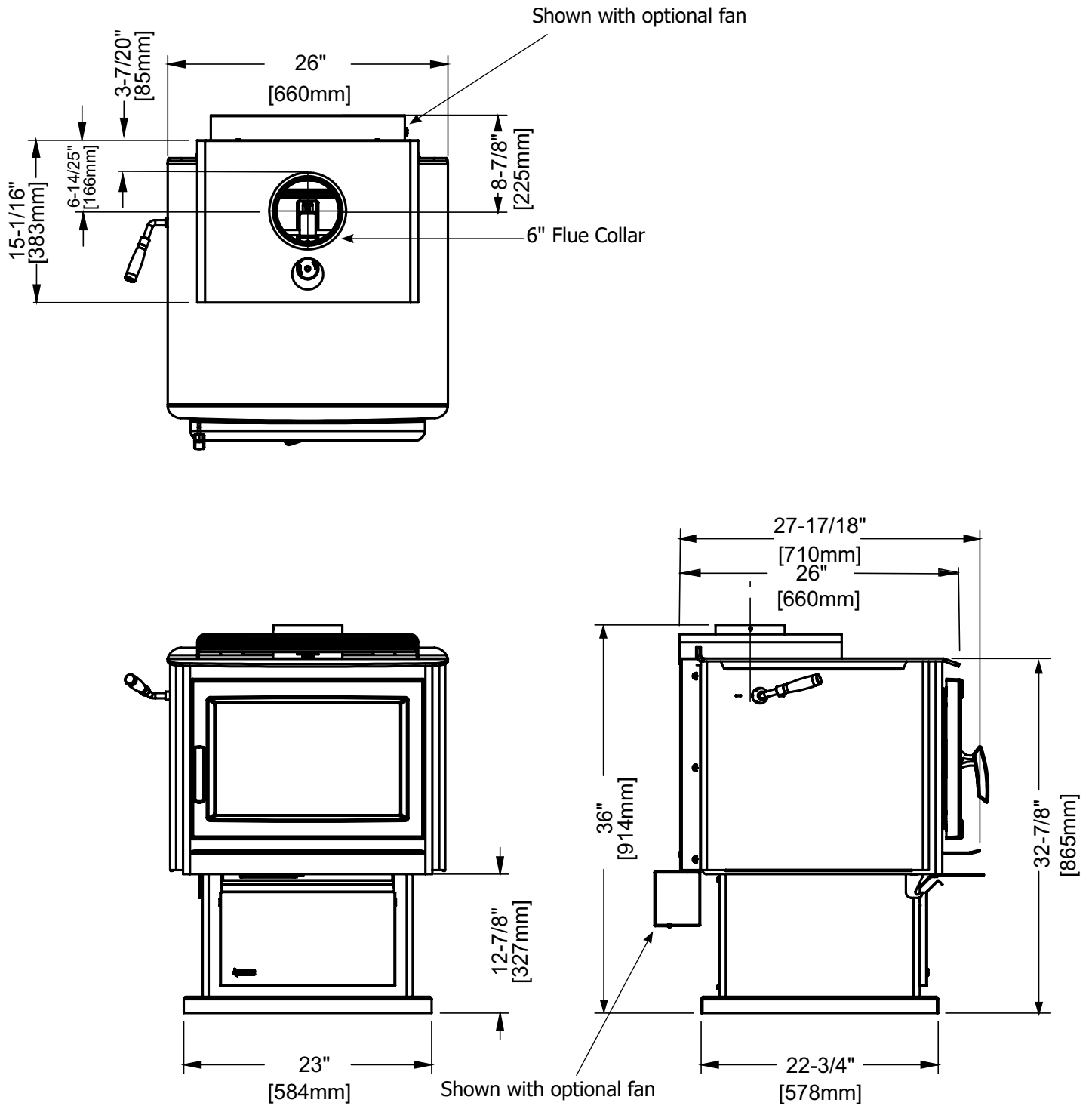
DATE OF MANUFACTURE

2021 2022 2023 2024 2025

JAN FEB MAR APR MAY JUN JUL AUG SEPT OCT NOV DEC

919-3370

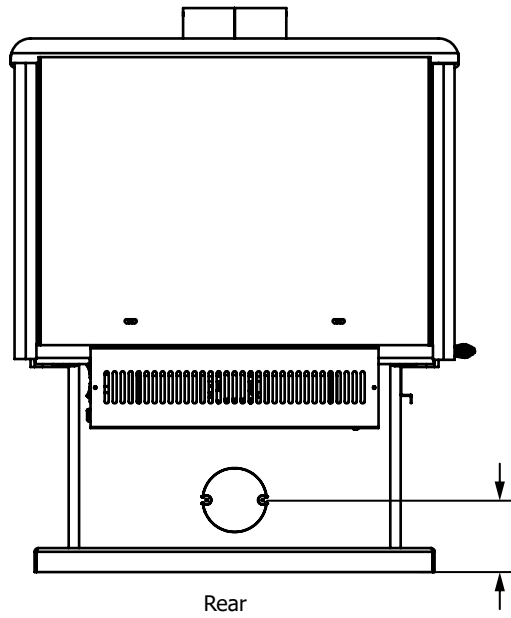
UNIT DIMENSIONS



ALL PICTURES / DIAGRAMS SHOWN THROUGHOUT THIS MANUAL ARE FOR ILLUSTRATION PURPOSES ONLY. ACTUAL PRODUCT MAY VARY DUE TO PRODUCT ENHANCEMENTS.

dimensions

WOOD STOVE OUTSIDE AIR DIMENSIONS



With pedestal from base of unit to centerline
5-1/2" (138mm)

RESIDENTIAL INSTALLATION

- 1) Please read this entire manual before you install and use your new woodstove. Failure to follow instructions may result in property damage, bodily injury or even death. Be aware that local Codes and Regulations may override some items in this manual. Check with your local inspector.
- 2) Select a position for your Regency Stove. Consult the minimum clearance chart for your model and set the stove in place.
- 3) To insure vertical alignment, suspend a plumb bob from the ceiling over the exact center of your stove flue and mark a spot on the ceiling to indicate the center of the chimney.
- 4) Check that the area above the ceiling is clear for cutting. Re-confirm the clearance from the stove to combustibles to insure that they are within the prescribed limits.
- 5) This woodstove must be connected to a UL 103 HT (ULC S629) listed chimney or a code approved masonry chimney with a flue liner.

Space heater is to be connected to a factory built chimney conforming to CAN/ULC-5629 standard for 650C factory built chimneys. The chimney requirement is 6", refer to appropriate sections in this manual for specifics.

- 6) Install chimney according to chimney manufacturers instructions. The performance of your woodstove is governed to a very large part by the chimney system. Too short a chimney can cause difficult start-up, dirty glass, back smoking when door is open, and even reduced heat output.

Too tall a chimney may prompt excessive draft which can result in very short burn times and excessive heat output. The use of an inexpensive flue pipe damper may be helpful in reducing excessive draft.

CAUTION: The chimney should be the same size as the 6" flue outlet on the stove. The chimney must be listed as suitable for use with solid fuels. For other types of chimneys check with your local building code officials. Do not confuse a chimney with a type "B" Venting System used for gas appliances as suitable for a wood burning appliance. For Mobile Home installations refer to that section within this manual.

- 7) Mark the location of the pedestal base or legs on the floor, then move the stove aside and mark the position of the floor protector.
- 8) The floor protector must be of non-combustible material and must extend 16" (406mm) in front of the door opening and 8" (203mm) to the sides and rear of the unit. Some areas may require a larger size floor protector. See your local inspector. For outside air installation refer to Mobile Home installation instructions within this manual.

NOTE: In Canada, floor protection must extend 18" (450mm) to the front and 8" (203mm) to each side and back of the stove.

- 9) When the floor protection is complete, position the stove with the flue collar centered under the installed chimney.

ROOM AIR - IMPORTANT

For installation using room air for combustion, remove knockout from the pedestal. Mobile home installations require the use of outside air.

Fresh air is important - if heater is starved for air caused by exhaust fans or icing, the unit will not operate properly.

On pedestal units there are two locations where outside air may be adapted to the unit. If using the bottom of the pedestal, do not remove knockout from the rear of the pedestal. Only remove rear knockout if outside air will be brought in from the rear.

Note: Once the knockout is removed there are two tabs remaining. Bend both tabs out for ease of installation of outside air kit.

- 10) In areas with frequent seismic activity, Regency recommends that your unit is secured to the floor by using the bolt down holes inside the pedestal (the same ones used in Mobile Home installations).

- 11) For residential installations 6" (single wall OK) double wall chimney, the chimney connector must be at least 24 gauge steel. Do not use galvanized pipe. For Mobile Home installation refer to the Mobile Home installation instructions within this manual.

12) DO NOT CONNECT THIS UNIT TO A CHIMNEY SERVING ANOTHER APPLIANCE.

- 13) A chimney connector cannot pass through an attic or roof space, closet or similar concealed space, or a floor, ceiling, wall or partition of combustible construction. In Canada, if passage through a wall, or partition of combustible construction is desired, the installation shall conform to CAN/CSA-B365, Installation Code for Solid-Fuel-Burning Appliances and Equipment.

- 14) Your Regency Woodstove is not to be connected to any air distribution duct.

Emissions from burning wood or gas could contain chemicals known to the State of California to cause cancer, birth defects or other reproductive harm.

CAUTION:

Do not alter or makeshift chimney or install. Install as per Manual.

MODULAR INSTALLATION OPTIONS

WARNING: ONLY USE SPECIFIED COMPONENTS.

The following items are required when assembling your Regency Stove. F3500 unit - the Rear Heat Deflector is supplied with the stove, but if you choose not to use it you must use the Airmate instead.

Modular Part	See the Minimum Clearance to Combustible Materials chart in the Installation section of this manual
F3500 Airmate OR Rear Heat Deflector	Convection heat with Airmate vs. Radiant Heat with Rear Heat Deflector. The Airmate pushes heat forward out into the room, the Rear Heat Deflector deflects the heat upward. Refer to the Installation sections within this manual.
OPTIONS: These can be installed at time of installation or added later:	
Blower/Fan	Adding the blower will increase the area heated by the stove, it can move warm air beyond the room where the stove
Ash Drawer Kit	Adding the Ash Drawer Kit makes cleaning ashes out of the stove easier and cleaner (refer to Bottom Shield Ash Drawer Kit, Installation section).
Airmate	The Airmate pushes heat forward out into the room.
Outside Air Kit	Draw combustion air from the outside of dwelling.

installation

STOVE ASSEMBLY PRIOR TO INSTALLATION

The F3500 unit requires the pedestal attached to the base. The F3500 stove requires either the Airmate or Rear Heat Deflector on top of the stove. Clearances to combustible materials vary depending on whether the Airmate or rear heat deflector is installed, so be sure to check the Minimum Clearances, Installation section.

Airmate Assembly for F3500

- 1) The Airmate sits on top of the stove with the slots in the sides fitting over the curved deflector on the rear stove top. See diagram 1. Discard the Rear Heat Deflector that is supplied with the unit, it is not required if the Airmate is installed.
- 2) Center the Airmate and push it forward to the front of the stove. The back of the Airmate should be level with the back and sides of the rear heat shield. See Diagrams 2 & 3.

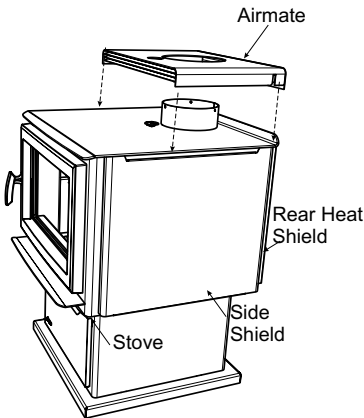


Diagram 1

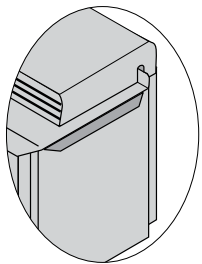


Diagram 2

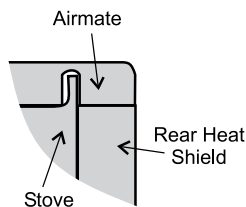


Diagram 3

Rear Heat Deflector Assembly for F3500

The rear heat deflector is supplied with the stove and must be installed unless the optional Airmate has been selected. It stops the heat radiated from the flue collar from overheating the rear wall. The rear heat deflector is installed on top of the rear heat shield, as shown in Diagram 4.

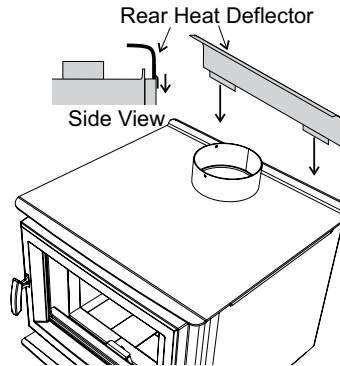
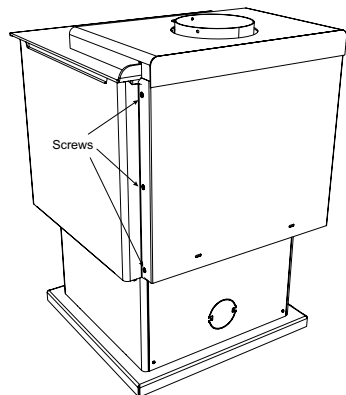


Diagram 4

Side Shield Adjustment

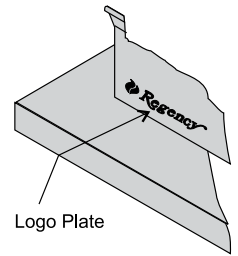
The left and right side shields are lowered for shipping and handling. It allows for a handhold on the top of the stove. Before placing in the Step Stove in its final position, the side shields must be raised.

Loosen the screws on the rear on the stove (3 per side), slide the side panel up as far as possible and then secure by tightening the screws.



Logo Installation

- 1) Push the Regency logo into the two holes in the front bottom left corner of the pedestal cover plate.



Note: Any paint touch up should be done prior to placing logo on pedestal.

- 2) If not using ash drawer, then cover plate must be installed.

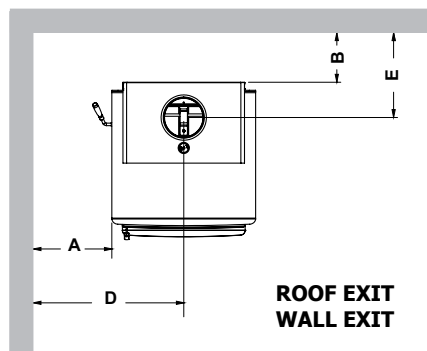
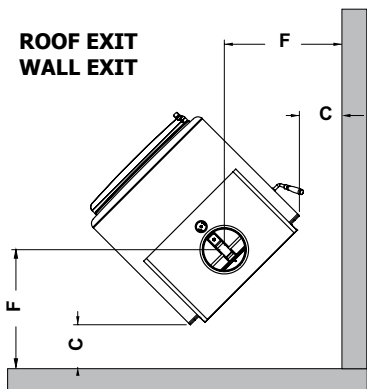
MINIMUM CLEARANCE TO COMBUSTIBLE MATERIALS

Please read the section below carefully as clearances depend on whether the Airmate or the Rear Heat Deflector is installed on the stove. Measurements "From Unit" are from the top plate of the stove to a side wall or to a corner, and from the rear heat shield to a back wall.

Clearances may only be reduced by means approved by the regulatory authority.

Note: Minimum ceiling height - 83" (2108mm)

NOTE: This clearance is also required for air space between the appliance and wall/ceiling.



NOTE: Be aware that local Codes and Regulations may override some clearances listed in this manual. Check with your local inspector.

NOTE: Clearances to combustibles are for the safety of the property. To avoid overheating and damaging the appliance these clearances should be maintained for non-combustibles also.

Residential Installation "C" Vent (Single Wall Pipe)							
F3500	with Airmate or Rear Deflector	A	B	C	D	E	F
		11" 279mm	9-1/2" 241mm	8" 203mm	24" 610mm	16" 406mm	20-1/2" 521mm

Residential Close Clearance (To be installed with required pipe components) Listed Double Wall Pipe							
When the stove is installed as a close clearance residential unit, a listed double wall connector is required from the stove collar to the ceiling level.							
F3500	with Airmate or Rear Deflector	A	B	C	D	E	F
		11" 279mm	9-1/2" 241mm	8" 203mm	24" 610mm	16" 406mm	20-1/2" 521mm

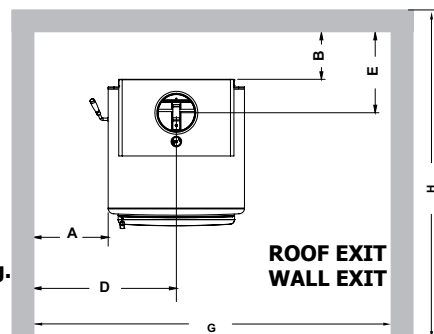
Mobile Home Close Clearance (To be installed with required pipe components) Listed Double Wall Pipe							
When the stove is installed as a close clearance residential unit, a listed double wall connector is required from the stove collar to the ceiling level. Refer to Mobile Home Installation in this manual.							
F3500	with Airmate or Rear Deflector	A	B	C	D	E	F
		11" 279mm	9-1/2" 241mm	8" 203mm	24" 610mm	16" 406mm	20-1/2" 521mm

Minimum Alcove Clearance to Combustible Materials

The Regency Freestanding models have been alcove approved and must be installed with a listed double wall connector to the ceiling level.

Note: Minimum alcove ceiling height - 83" (2108 mm) Vertical Termination}
H = Maximum depth of alcove - 48" (1219mm)
G = Minimum width of alcove - 60" (1524mm)

NOTE: This clearance is also required for air space between the appliance and wall/ceiling.



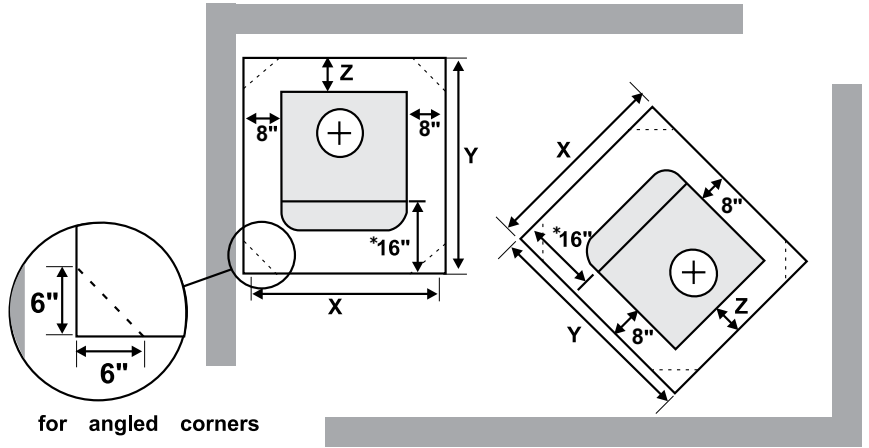
installation

FLOOR PROTECTION (Ember Protection Only Required)

A combustible floor must be protected by non-combustible material (like tile, concrete board, or certified to UL-1618 or as defined by local codes) extending beneath the heater and a minimum of 8" (203mm) from each side and minimum 16" (406mm) from the front face of the stove and minimum 6" (or the rear clearance to combustibles whichever is smaller) from the rear of the stove.

NOTE: This clearance is also required for air space between the appliance and wall/ceiling. Where the appliance is installed less than 8" from a rear wall, the ember pad only needs to extend to the base of the wall based on the clearances noted in this manual.

When installed with horizontal venting, non-combustible floor protection must be beneath the flue pipe and extend 2" (51mm) beyond each side.



NOTE: USA clearances shown above.

Minimum Overall Width (X) of Floor Protector for all installations:

Stove F3500 33" (838mm)

*Measurement is taken from fuel door opening.

NOTE: In Canada, floor protection must extend 18" (450mm) to the front and 8" (203mm) to each side (measured from fuel door) and back of the stove.

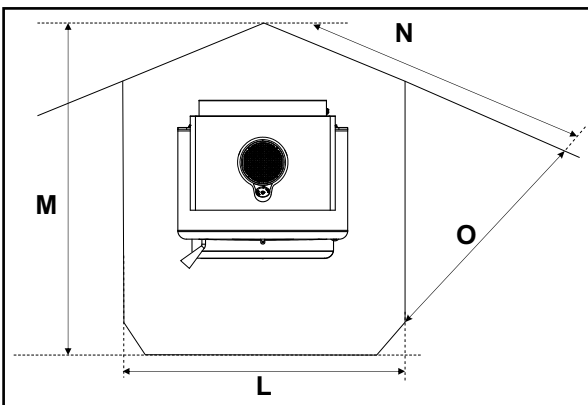
Minimum Overall Depth (Y) of Floor Protector

Unit	Residential Close Clearance		Mobile Home Close Clearance		Alcove	
	Y	Z	Y	Z	Y	Z
F3500						
USA	46-1/2"	8"	46-1/2"	8"	46-1/2"	8"
Canada	48-1/2"	8"	48-1/2"	8"	48-1/2"	8"

The rear clearance to combustibles is less than 6" (for corner installations the rear corners may be angled to take advantage of the closer clearances).

Minimum Overall Depth (Y) of Floor Protector - Corner Hearth Reference only when hearth pad is installed to rear wall at minimum pipe clearances.

	Hearth Depth			
F3500	L	M	N	O
Residential Installation "C" Vent (Single Wall)				
Canada	33" (838mm)	65" (1651mm)	57-9/16" (1461mm)	25-3/4" (654mm)
USA	33" (838mm)	63" (1600mm)	56-1/8" (1425mm)	24-5/16" (618mm)
Residential Close Clearance (To be installed with required pipe components)				
Canada	33" (838mm)	65" (1651mm)	57-9/16" (1461mm)	25-3/4" (654mm)
USA	33" (838mm)	63" (1600mm)	56-1/8" (1425mm)	24-5/16" (618mm)



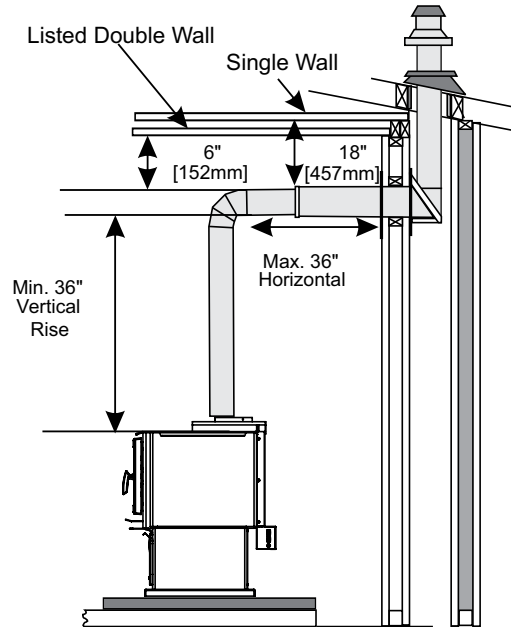
WALL EXIT CLEARANCE FACTORY BUILT CHIMNEY

When a metal prefabricated chimney is used, the manufacturer's installation instructions must be followed. You must also purchase and install the ceiling support package or wall pass-through and "T" section package, firestops (where needed), insulation shield, roof flashing, chimney cap, etc. Maintain proper clearance to the structure as recommended by the manufacturer. The chimney must be the required height above the roof or other obstructions for safety and proper draft operation.

Minimum vertical of 36" before any offset.
Horizontal Maximum of 36" with 1/4" rise per foot.

NOTE: Recommend using 2-45° instead of 90° to improve draft and performance.

Note: Minimum ceiling height roof - 83" (2108mm)



MASONRY FIREPLACE

There are listed kits available to connect a stove to a masonry fireplace. The kit is an adapter that is installed at the location of the fireplace damper. The existing damper may have to be removed to allow installation.

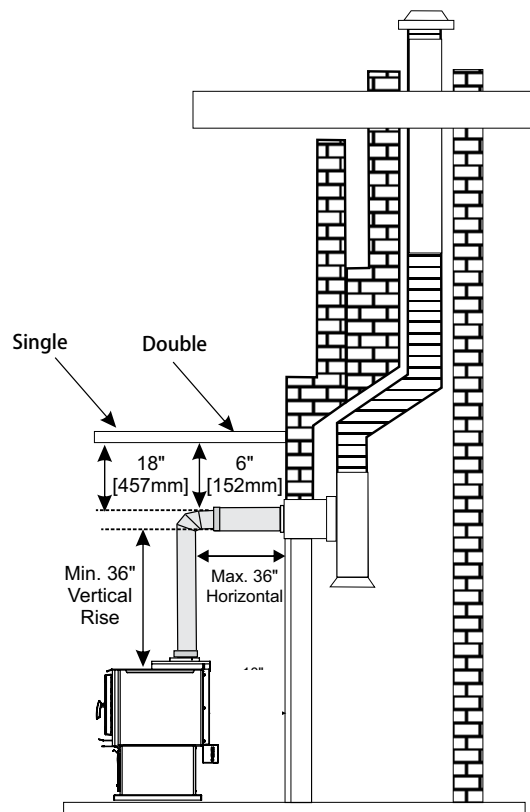
Minimum vertical of 36" before any offset.
Horizontal Maximum of 36" with 1/4" rise per foot.

NOTE: Recommend using 2-45° instead of 90° to improve draft and performance.

NOTE: Only a 6" and or 5.5" liner may be used when relining the masonry chimney. Do not increase/decrease size of the liner as this could result in poor performance, over firing and or dangerous operating conditions which may void your warranty.

Do not use or add a pipe damper as this will result in poor performance, over firing and or dangerous operating conditions which may void your warranty. This appliance already has a bypass damper in place.

A minimum vertical rise of 36 inches is required from top of stove collar prior to having any offset. It is recommended that 45° elbows be used instead of a 90° elbow to improve draft and performance. If not adhered to this, it will result in poor performance overfiring and or dangerous operating conditions which may void your warranty.

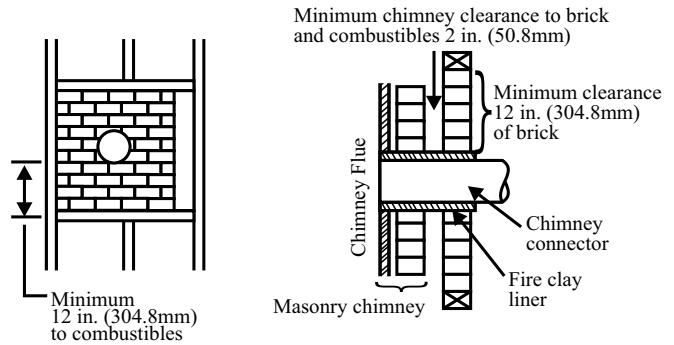


installation

COMBUSTIBLE WALL CHIMNEY CONNECTOR PASS-THROUGHS

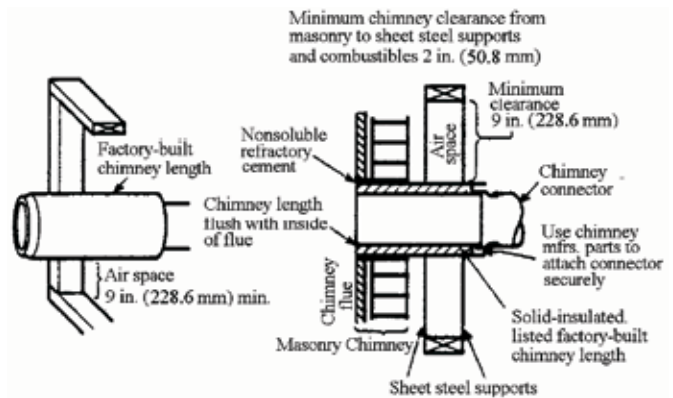
Method A: 12" (304.8 mm) Clearance to Combustible Wall Member:

Using a minimum thickness 3.5" (89 mm) brick and a 5/8" (15.9 mm) minimum wall thickness clay liner, construct a wall pass-through. The clay liner must conform to ASTM C315 (Standard Specification for Clay Fire Linings) or its equivalent. Keep a minimum of 12" (304.8 mm) of brick masonry between the clay liner and wall combustibles. The clay liner shall run from the brick masonry outer surface to the inner surface of the chimney flue liner but not past the inner surface. Firmly grout or cement the clay liner in place to the chimney flue liner.



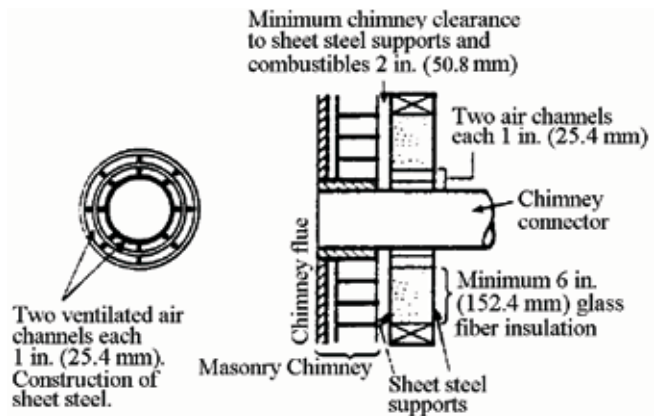
Method B: 9" (228.6 mm) Clearance to Combustible Wall Member:

Using a 6" (152.4 mm) inside diameter, listed, factory-built Solid-Pak chimney section with insulation of 1" (25.4 mm) or more, build a wall pass-through with a minimum 9" (228.6 mm) air space between the outer wall of the chimney length and wall combustibles. Use sheet metal supports fastened securely to wall surfaces on all sides, to maintain the 9" (228.6 mm) air space. When fastening supports to chimney length, do not penetrate the chimney liner (the inside wall of the Solid-Pak chimney). The inner end of the Solid-Pak chimney section shall be flush with the inside of the masonry chimney flue, and sealed with a non-water soluble refractory cement. Use this cement to also seal to the brick masonry penetration.



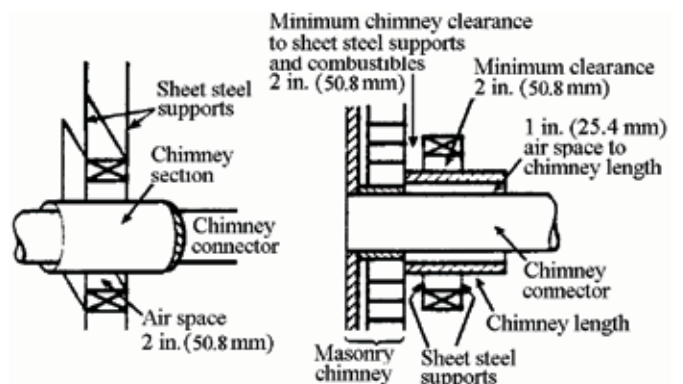
Method C: 6" (152.4 mm) Clearance to Combustible Wall Member:

Starting with a minimum 24 gage (.024" [.61 mm]) 6" (152.4 mm) metal chimney connector, and a minimum 24 gage ventilated wall thimble which has two air channels of 1" (25.4 mm) each, construct a wall pass-through. There shall be a minimum 6" (152.4 mm) separation area containing fiberglass insulation, from the outer surface of the wall thimble to wall combustibles. Support the wall thimble, and cover its opening with a 24-gage minimum sheet metal support. Maintain the 6" (152.4 mm) space. There should also be a support sized to fit and hold the metal chimney connector. See that the supports are fastened securely to wall surfaces on all sides. Make sure fasteners used to secure the metal chimney connector do not penetrate chimney flue liner.



Method D: 2" (50.8 mm) Clearance to Combustible Wall Member:

Start with a solid-pak listed factory built chimney section at least 12" (304 mm) long, with insulation of 1" (25.4 mm) or more, and an inside diameter of 6" (2 inches [51 mm] larger than the 6" [152.4 mm] chimney connector). Use this as a pass-through for a minimum 24-gage single wall steel chimney connector. Keep solid-pak section concentric with and spaced 1" (25.4 mm) off the chimney connector by way of sheet metal support plates at both ends of chimney section. Cover opening with and support chimney section on both sides with 24 gage minimum sheet metal supports. See that the supports are fastened securely to wall surfaces on all sides. Make sure fasteners used to secure chimney flue liner.

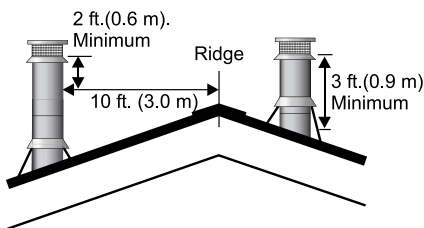


STEP-BY-STEP CHIMNEY AND CONNECTOR INSTALLATION

Note: These are a generic set of chimney installation instructions. Always follow the manufacturer's own instructions explicitly. Verify the Minimum Recommended Heights for Woodstove Flue (Table 1 in the Installation section).

1. With your location already established, cut and frame the roof hole. It is recommended that no ceiling support member be cut for chimney and support box installation. If it is necessary to cut them, the members must be made structurally sound.
2. Install radiant shield and support from above.
3. Stack the insulated pipe onto your finish support to a minimum height of 3 feet above the roof penetration, or 2 feet above any point within 10 feet measured horizontally. There must be at least 3 feet of chimney above the roof level.

NOTE: Ensure each section of chimney is positively attached and secured.



Note: Increasing the chimney height above this minimum level will sometimes help your unit to "breathe" better by allowing a greater draft to be created. This greater draft can decrease problems such as, difficult start-ups, back-smoking when door is open, and dirty glass. It might be sufficient to initially try with the minimum required height, and then if problems do arise add additional height at a later date.

4. Slide the roof flashing over your chimney and seal the flashing to the roof with roofing compound. Secure the flashing to your roof with nails or screws.
5. Place the storm collar over the flashing, sealing the joints with a silicone caulking.
6. Fasten the raincap with spark screens (if required) to the top of your chimney.

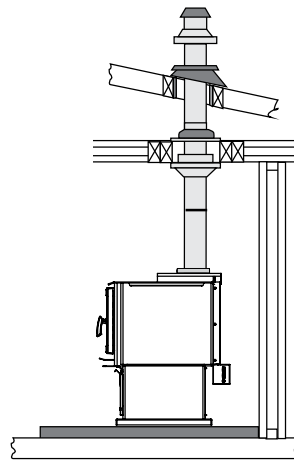
7. To complete your chimney installation, install the single wall or double wall connector pipe from the stove's flue collar to the chimney support device.

NOTE: When attaching the chimney to the appliance, ensure a minimum of two (2) screws are used to establish a snug fit.

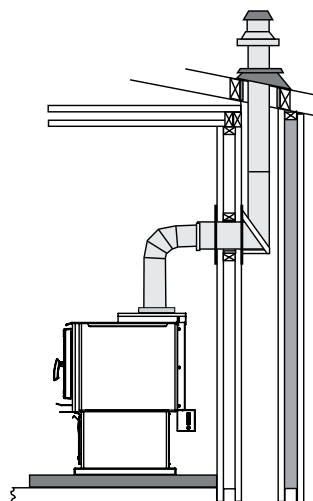
8. If you are using a horizontal connector, the chimney connector should be as high as possible while still maintaining the 18" (457mm) minimum distance from the horizontal connector to the ceiling.

NOTE: Residential Close Clearance and Alcove installations require a listed double wall connector from the stove collar to the ceiling level.

The diagrams below illustrate one way to install your unit into a standard ceiling or with a horizontal connector. Check with your dealer or installer for information on other options available to you.



Standard Ceiling Installation



Horizontal Installation

installation

RECOMMENDED HEIGHTS FOR WOODSTOVE FLUE

Simple rules on draft (refer to Table 1).

- 1) At sea level minimum height is 12' straight.
- 2) Add the following vertical height to compensate for:
 - 45 deg. elbow = 1 ft.
 - 90 deg. elbow = 2 ft.
 - "T" = 3 ft.
 - Each foot of horizontal run = 2 ft.

3) Add 4% overall for each 1000' above sea level.

- Example: a)**
- 1-1/2 ft. of horizontal run = 3 ft.
 - one "T" = 3 ft.
 - Total Addition (at sea level) = 6 ft.
- Example: b)**
- One 90 deg. elbow = 2 ft.
 - 2 ft. of horizontal run = 4 ft.
 - one "T" = 3 ft.
 - Total Addition (at sea level) = 9 ft.

Recommended Flue Height

Elevation	Example a)	Example b)
0'	18'	21'
1000'	18.72'	21.84'
2000'	19.44'	22.68'
5000'	21.60'	25.20'
8000'	23.76'	27.72'

MINIMUM RECOMMENDED FLUE HEIGHTS IN FEET (Measured from the top of the unit)				
ELEVATION (FT) ABOVE SEA LEVEL	NUMBER OF ELBOWS For listed double wall pipe.			
	0	2 x 15°	2 x 30°	2 x 45°
0-1000	12.0	13.0	15.0	16.0
1000-2000	12.5	13.5	15.5	16.5
2000-3000	13.0	14.0	16.0	17.0
3000-4000	13.5	14.5	17.0	18.0
4000-5000	14.0	15.0	17.5	18.5
5000-6000	14.5	15.5	18.0	19.0
6000-7000	15.0	16.0	18.5	20.0
7000-8000	15.5	16.5	19.0	20.5
8000-9000	16.0	17.0	20.0	21.0
9000-10000	16.5	17.5	20.5	22.0

NOTE: No more than one offsets (two elbows) allowed. Two 45° elbows equal one 90° elbow.

Table 1

MOBILE HOME INSTALLATION

For Canadian Installations: see Outside Air Kit Blanking Plate - Part # 042-909
There are further requirements when installing this unit into a mobile home in Canada Only.

Once you have properly marked the position of your unit and the floor protection as outlined in the Residential Installation items #1 through #8, a supply of fresh air has to be supplied to your unit.

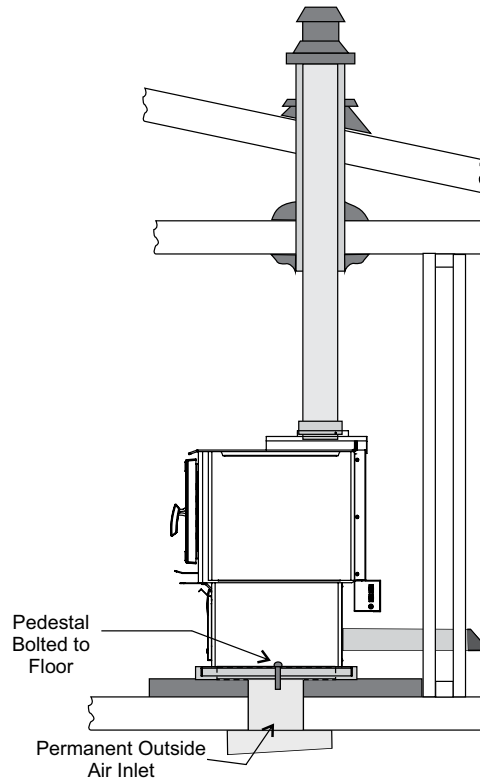
See Optional Outside Air Kit instructions in this manual.

Place your unit in position and secure it to the floor using two lag bolts 3/8" (10mm) x 3-1/2" (89mm) through the two holes inside the pedestal base. It is important to maintain the structural integrity of the Mobile Home floor, walls and roof when installing your unit.

For Mobile Home units installed in the U.S. the unit must be grounded using a #8 ground wire with approved termination and star washer.

CAUTION: At no time use unlabelled parts, or substitute parts made for another chimney system.

Install as per chimney manufacturer's installation instructions.



WARNING: Operate only with door fully closed - open feed door to feed fire only.

1. Identify the position of the outside air damper by the orientation of the metal handle that rests outside the galvanized pipe. The metal handle and the damper disc are in line with each other. This means that if the metal handle is in a horizontal position, the damper is flat and fully open.
2. Open the damper fully whenever you start a fire. This will allow the outside air to be drawn in the pedestal base eliminating any potential smoke escaping the stove and entering the room. (Negative air pressure)

In addition to standard installation instructions the following requirements are mandatory for installation in a mobile home.

1. The stove must be permanently bolted to the floor of the Mobile Home using the floor screws provided.
2. The stove must have a permanent outside air source for combustion.
3. The stove must be electrically grounded to the steel chassis of the Mobile Home.
4. A listed double-wall connector chimney system, roof thimble, spark arrester and roof flashing kit suitable for use in Mobile Homes must be used.
5. If the chimney exits the Mobile Home at a location other than through the roof, and exits at a point 7ft. (2130mm) or less above the ground level on which the Mobile Home is positioned a guard or method of enclosing the chimney shall be fitted at the point of exit for a height up to 7ft. (2130mm).
6. The chimney shall be attached directly to the room heater and shall extend at least 3 ft. (914mm) above the part of the roof through which it passes. The top of the chimney should project at least 2ft. (610mm) above the highest elevation of any part of the Mobile Home within 10 ft. (3048mm) of the chimney.
7. The chimney system shall comply with Local Requirements.
8. Any openings in a chimney guard where required must not permit the entrance of 3/4" (19mm) diameter rod.
9. **CAUTION: THE STRUCTURAL INTEGRITY OF THE MOBILE HOME ROOF, FLOOR, WALLS AND CEILING MUST BE MAINTAINED.**
10. Check any other local building code as other local codes may apply.
11. **WARNING: DO NOT INSTALL IN A SLEEPING ROOM OF A MOBILE HOME.**
12. Use silicone to create an effective vapour barrier at the location where the chimney or other component penetrates to the exterior of the structure.

installation

OPTIONAL OUTSIDE AIR KIT

The Outside Air Kit is an option for Freestanding Stoves. Outside air for combustion can be brought in either through the bottom of the pedestal or through the rear plate of the pedestal.

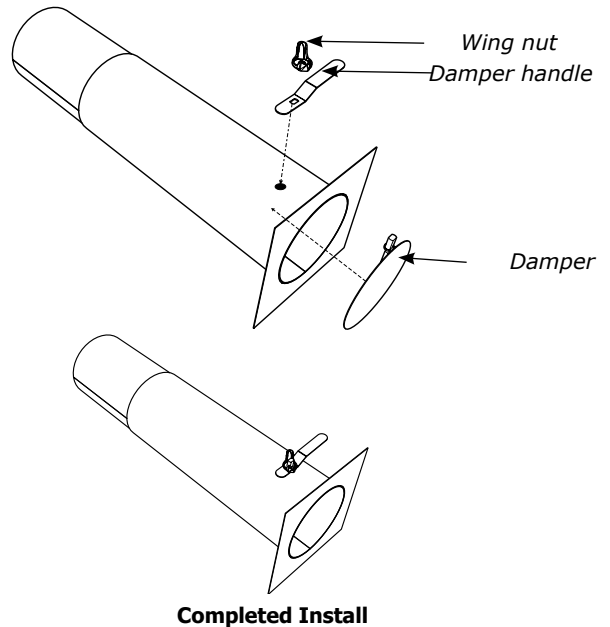
Damper Installation

NOTE: The damper cannot be installed if attaching outside air to the bottom of the appliance.

Supplied damper allows the combustion air to be closed off when unit is not in operation.

Install the damper within the round pipe in an easily accessible location.

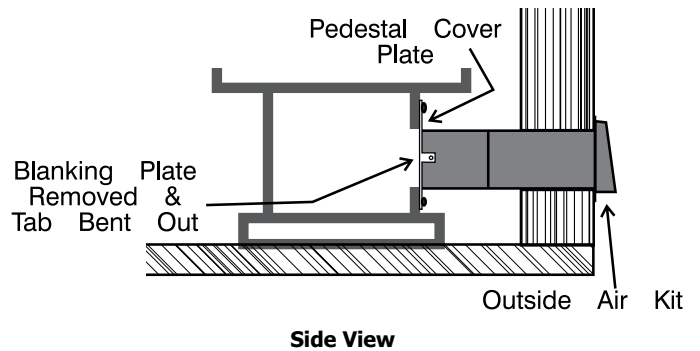
1. Drill a 5/16" hole in the desired location.
2. Insert damper with threaded section out.
3. Install damper handle and secure with wing nut.



Outside Air Through Pedestal Rear

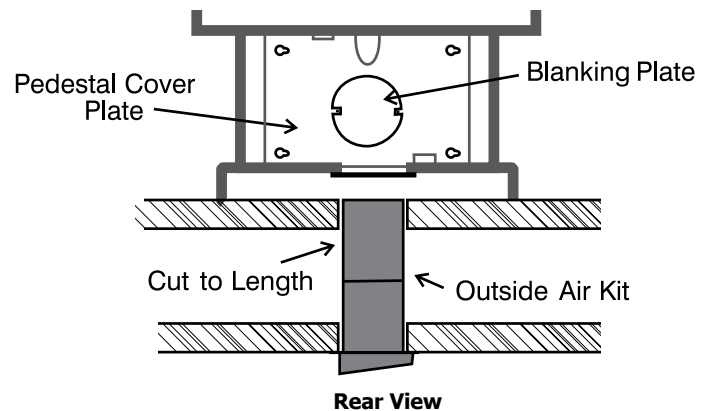
Remove the blanking plate from the rear of the pedestal and bend the two tabs out 90 degrees. Pipe fresh air into the pedestal area by using a minimum 4" metallic duct pipe with a mesh grill at the outside termination.

Fasten the pipe to the cover plate using the tabs and 2 screws.



Outside Air Through Pedestal Bottom

Mark the position of your unit as outlined in the "General Information" and "Clearances to Combustibles" section of the manual. Pipe fresh air into the pedestal area by using a minimum 4" duct pipe with a mesh grill at the outside termination.



LISTED COMPONENTS FOR MOBILE HOME INSTALLATION

The Regency F3500B Freestanding pedestal units are approved for installation in a Mobile Home if one of the following pipe systems is used.

U.S. Installation*

METALBESTOS SSII

Qty.	Part #	Description
1	6DS-VK	Connector Kit
1	6TMH	Shield/Support
1	6TAF-6	Flashing
1	6T-36	Chimney Length
1	6T-18	Chimney Length
1	6T-CT	Rain Cap

PRO-JET 3103

Qty.	Part #	Description
1	PV06-TK	Connector
1	CSB	Shield/Support
1	RRS	Radiation Shield
1	LFR03	Flashing
1	SL3	Chimney Length
1	SL1	Chimney Length
1	RCSA	Rain Cap

SECURITY ASHT

Qty.	Part #	Description
1	DL42A-6	Connector Kit
1	6SS	Shield/Support
1	6FAMH	Flashing
1	6L3	Chimney Length
1	6L1	Chimney Length
1	CPE	Rain Cap

SECURITY S2100

Qty.	Part #	Description
1	DL42A-6	Connector Kit
1	6XSF	Support
1	6XFA	Flashing
1	6XL3	Chimney Length
1	6XL18	Chimney Length
1	6XCPE	Rain Cap

METAL-FAB TEMP/GUARD 2100

Qty.	Part #	Description
1	6DWBK	Connector
1	6TGRS	Roof Support
1	6TGG36	Chimney Length
1	6TGG12	Chimney Length
1	6TGF	Flashing
1	6TGC	Rain Cap

AMERI-TEC HS

Qty.	Part #	Description
1	6DCC	Connector
1	6HSRS-12	Roof Support (6PLRS-12-BK)
1	6F	Flashing
1	6HS-36	Chimney Length
1	6HS-18	Chimney Length
1	6HS-RCS	Rain Cap (6PL-MPC)

SIMPSON DURA-PLUS

Qty.	Part #	Description
1	6DVL8693	Connector Kit
1	6DP-MH9096	Mobile Home Kit

ICC EXCEL 2100

Qty.	Part #	Description
1	6CL48	48" Chimney length (also in 12", 18", 24" lengths.
1	6RC	Rain Cap
1	6RCS	Spark Screen (for rain cap)
1	6RDS/SQS	Round/Square support box
1	6VF	Flashing
1	6UBA	"Ultrablack" Close Clearance Connector

Canadian Installations*

SECURITY S2100

ICC EXCEL 2100

SELKIRK SENTINAL CF

*The use of alternate pitch flashings, support box extensions, additional chimney lengths, and additional chimney bracing, may be used on each of the previously listed systems. These parts though must be from the same system as listed, and must be a similar and/or complimentary part.

CAUTION: At no time use unlabelled parts, or substitute parts made for another chimney system.

Install as per chimney manufacturer's installation instructions.

installation

STAINLESS STEEL SMOKE DEFLECTOR INSTALLATION/REPLACEMENT

1. The stainless smoke deflector is located in the upper front area of the firebox (see diagram below). The deflector is held in place with 2 x 7/16" hex head bolts. Prior to the first fire, ensure deflector is seated properly and secured with 2 hand tightened bolts.



3. **Correct Install:** Ensure return edge of smoke deflector is seated within the backside of the glass wash.

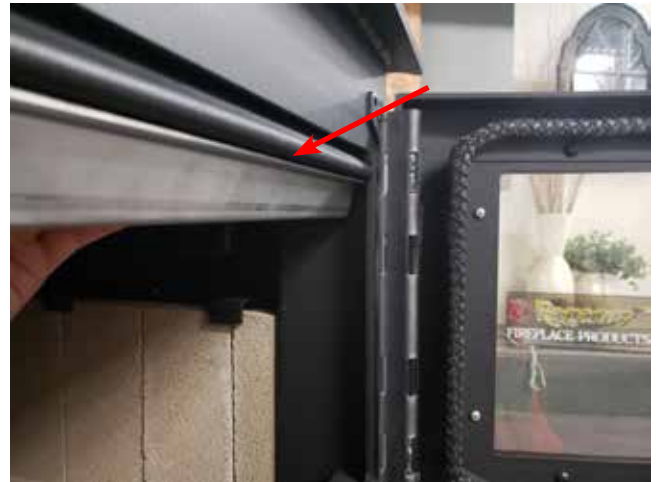


2. To replace the deflector, loosen off both 7/16" bolts and slide deflector upward and out. Install new deflector and hand tighten 7/16" hex head bolts. Ensure positive location of the deflector prior to hand tightening.

WARNING: Operation of the unit without proper installation of smoke deflector will void warranty.



3. **Incorrect Install:** Return edge of smoke deflector seated under the glass wash.



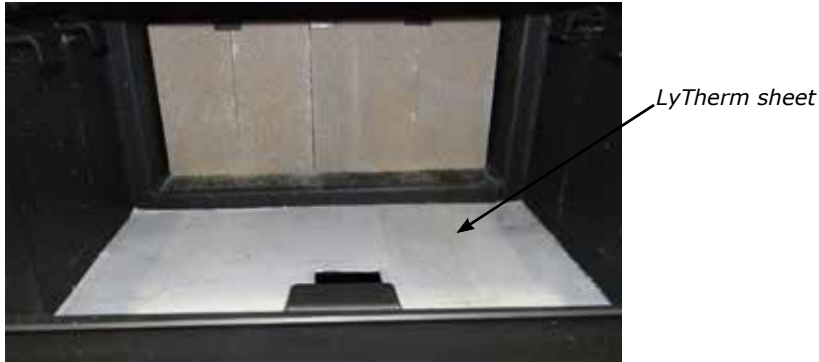
3. Ensure deflector is seated so bolts are situated at the top of the opening before tightening. Hand tighten bolts only.



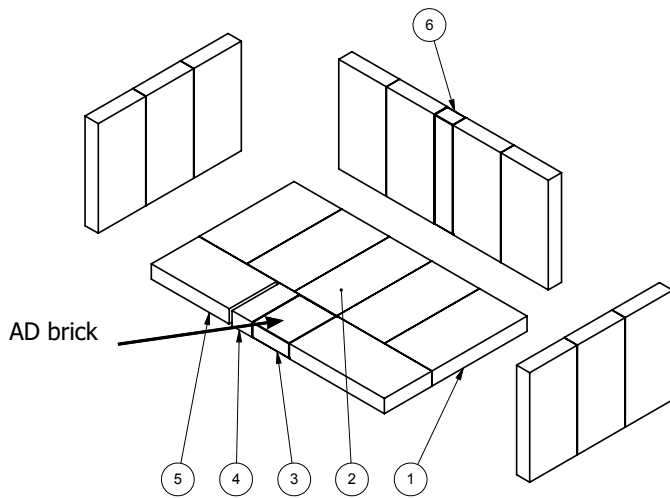
BRICK INSTALLATION

Firebrick is included to extend the life of your stove and radiate heat more evenly. Install all firebricks per the diagram below and place in their correct positions. Do not use a grate.

1. Remove box of firebricks from inside unit.
2. Remove LyTherm sheet from mailer tube and install on base of firebox as shown below.

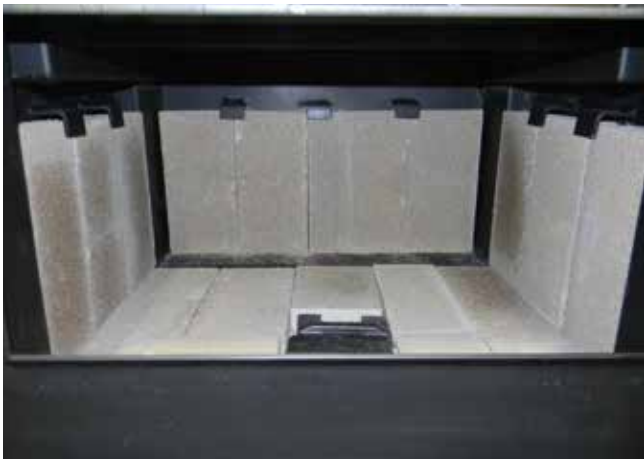


3. Order of firebrick install:
 - a) Rear Firebrick
 - b) Firebox floor - install brick over LyTherm sheet
 - c) Right and left side Firebricks



Fire bricks	
#	Size
1	4-1/2" x 9"
2	4" x 9"
3	3-1/2" x 4-1/2"
4	1-3/4" x 4-1/2"
5	4-1/2" x 7-5/8"
6	1-3/4" x 9"

NOTE: The "AD" brick covers the Ash Dump hole that is used when the Ash Drawer Kit is installed.



Final Install

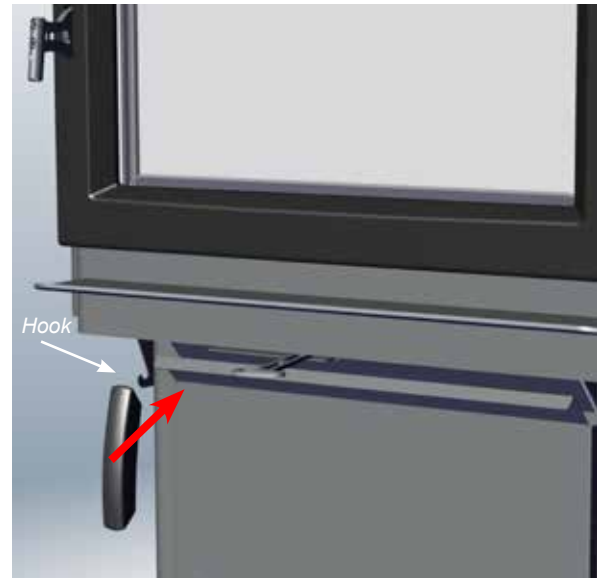
installation

REMOVABLE DOOR HANDLE

The F3500 has a removable door handle that can be stored when not in use.



The cool to touch door handle is designed to be inserted from the bottom up and slide off when not held in place. Once in position, the door can be opened. After use, store the door handle on the storage hook located on the left side of the faceplate.



WARNING: FAILURE TO USE REMOVABLE HANDLE AS PER INSTRUCTIONS MAY CAUSE SERIOUS BURNS.

FAN INSTALLATION

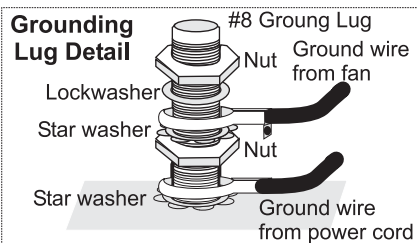
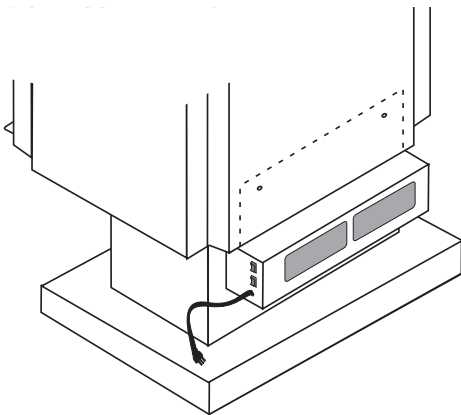
Fan assembly for use only with the room heater marked to indicate such use.

FAN INSTALLATION (120V FAN)

1. Remove the two screws from the top of the fan housing.
2. Slide the fan up into the rear heat shield.
3. After aligning holes, secure the fan to the rear heat shield using the two screws removed earlier.

Note: The connection cord should not be in contact with any hot surfaces.

WARNING: FAN ASSEMBLY MUST BE DISCONNECTED FROM THE SOURCE OF ELECTRICAL SUPPLY BEFORE ATTEMPTING THE INSTALLATION.



FAN OPERATION

AUTOMATIC

To operate the fan automatically, push the bottom switch on the side of the fan housing to "AUTO" and the top switch to either "HIGH" or "LOW" for fan speed.

This will allow the fan to turn on as the stove has come up to operating temperature. It will also shut the fan system off after the fire has gone out and the unit cooled to below a useful heat output range.

If the fan cycles on and off continuously the thermo switch sensor is not making contact with the stove body. Remove the fan, bend the bracket closer to the stove and re-install the fan.

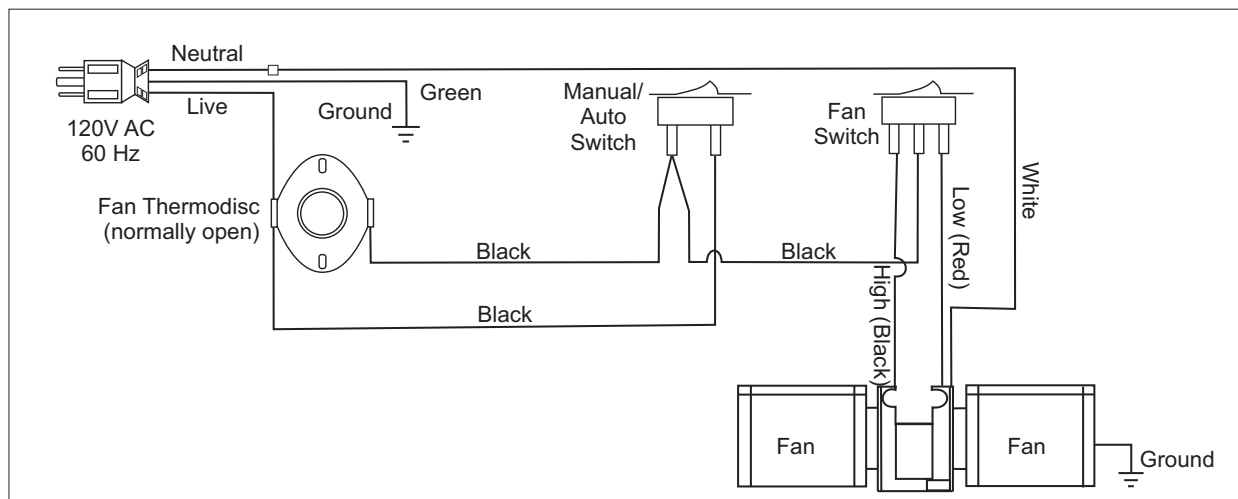
MANUAL

To manually operate the fan system push the bottom switch to "MAN" and the top switch to either "HIGH" or "LOW". This will bypass the sensing device and allow full control of the fan.

Switching from "AUTO" to "MAN" or "HIGH" to "LOW" may be done anytime.

WARNING: Electrical Grounding Instructions
This appliance is equipped with a three pronged (grounding) plug for your protection against shock hazard and should be plugged directly into a properly grounded three-prong receptacle. Do not cut or remove the grounding prong from this plug.

CAUTION: Label all wires prior to disconnection when servicing controls. Wiring errors can cause improper and dangerous operation.



Wiring Diagram

operating instructions

SEASONED FIREWOOD

Whether you burn wood in a fireplace, stove or insert, good quality firewood is the key to convenience, efficiency and safety. Wet wood and pieces that are not the right size and shape for your wood burner can be frustrating, burn inefficiently and deposit creosote that can fuel a dangerous chimney fire. Good planning, seasoning and storage of the firewood supply are essential to successful wood burning.

- Stack the wood in separate rows in an open location where the summer sun can warm it and breezes can carry away the moisture. Do not stack unseasoned wood tightly in an unvented storage area.
- Do not allow firewood to lie on the ground for more than a couple of days before stacking. Mould and rot can set in quickly.
- Stack the wood up off the ground on poles, lumber rails or pallets.
- The top of the pile can be covered to keep off rain, but do not cover the sides.

Softer woods like pine, spruce and poplar/aspens that is cut, split and stacked properly in the early spring may be ready for burning in the fall. Extremely hard woods like oak and maple, and large pieces of firewood, may take a minimum of a full year to dry enough. Drying may also take longer in damp climates.

There are a few ways to tell if wood is dry enough to burn efficiently. Use as many indicators as possible to judge the dryness of the firewood you are considering. Here are ways to judge firewood moisture.

- Using a moisture meter, select the species of fuel and then penetrate the pins into a split piece. Ideal moisture and seasoned firewood should be less than 20% moisture content.
- Checks or cracks in the end grain can be an indication of dryness, but may not be a reliable indicator. Some wet wood has checks and some dry wood has no checks.
- The wood tends to darken from white or cream colour to grey or yellow as it dries.
- Two dry pieces banged together sound hollow; wet pieces sound solid and dull.
- Dry wood weighs much less than wet wood.
- Split a piece of wood. If the exposed surface feels damp, the wood is too wet to burn.

OPERATING INSTRUCTIONS

With your unit now correctly installed and safety inspected by your local authority, you are now ready to start a fire. Before establishing your first fire, it is important that you fully understand the operation of your Catalytic combustor and draft control.

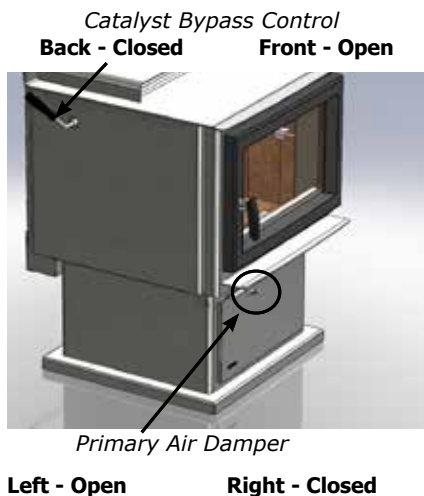
WARNING

Fireplace Stoves equipped with doors should be operated only with doors fully closed. If doors are left partly open, gas and flame may be drawn out of the fireplace stove opening, creating risks from both fire and smoke.

DRAFT CONTROL

Both the primary and air wash drafts are controlled by the control slide located on the front left side of the unit (when facing the unit). To increase your draft - slide to the left to open, and to decrease - slide to the right to close. The F3500 unit has a secondary draft system that continually allows combustion air to the induction ports at the top of the firebox, just in front of the catalytic combustor.

Draft is the force which moves air from the appliance up through the chimney. The amount of draft in your chimney depends on the length of the chimney, local geography, nearby obstructions and other factors. Too much draft may cause excessive temperatures in the appliance and may damage the catalytic combustor. Inadequate draft may cause back puffing into the room and plugging of the chimney or catalyst.



WARNING: To build a fire in ignorance or to disregard the information contained in this section can cause serious permanent damage to the unit and void your warranty!

FIRST FIRE

When your installation is completed and inspected you are ready for your first fire.

THIS UNIT IS DESIGNED TO BURN SEASONED CORDWOOD ONLY. COAL, BRIQUETTES AND ALL OTHERS LISTED ON PAGE 2 ARE NOT APPROVED. SEASONED CORDWOOD SHOULD BE LESS THAN 20% MOISTURE CONTENT.

START UP AND OPERATING PROCEDURES:

- For the first few days, the wood stove will give off an odour from the paint. This is to be expected as the high temperature paint becomes seasoned. Windows and/or doors should be left open to provide adequate ventilation while this temporary condition exists. Burning the wood stove at a very high temperature the first few times may damage the paint. During the first few fires, keep the combustion rate at a moderate level and avoid a large fire. Only after 5 or 6 such fires you can operate the wood stove at its maximum setting, and only after the metal has been warmed.
- Do not place anything on the wood stove top during the curing process. This may result in damage to your paint finish.
- When starting the fire, ensure the bypass is in the fully open position and air control is in the fully open position.
To start a good and clean fire you will need approx. 4.5lb kindling and 6.5lb start up fuel, wood split slightly larger than kindling, approx. 2 inches thick.
Start with few pieces of crumpled paper and half of the kindling, stacked in a manner that allows air flow on the firebrick hearth (Tee pee style or other). **DO NOT USE A GRATE TO ELEVATE THE FIRE.**
Light crumpled newspaper and adjust the door to establish fire and for less smoke roll out. Keep the door in that position for approx. 4 minutes to establish a good fire. Once the door is closed, close the bypass.
- Once most of the kindling has burned down, add the remaining of the kindling. Close the door soon after loading to keep the catalyst from cooling down.
- When a good fire is established, add half of the start up fuel. Keep bigger pieces for the next load. Close the door right away.
- While there are strong flames, add the remainder of the start up fuel more to the back of the firebox. Close the door right away after loading. **NOTE:** These steps are crucial to ensure proper charcoaling and coal bed prior to loading High, Med and Low fire loads.
- Once a nice coal bed is established and there are still good sized flames, open the door and the bypass, and rake the coals to create a uniform charcoal bed. Load 6 pieces of 17" long cord wood, front to back, North/South orientation. Once loaded, and strong flames are established, close the door and the bypass. Burn on high setting (air control to the far left when facing the unit) for at least 15 minutes. After 15 minutes, it should be a strong fire and you can adjust the air control to your desired position. After at least 20 minutes the fan can be set on high setting for a high and medium high fire

and on low for medium and low fire.

High Fire: Air control to far left.

Low Fire: Air control to far right.

Med Fire: Air control slightly left of low fire setting.

For low and medium fire, adjust the air gradually from high to the desired position.

- IMPORTANT:** The temperature in the wood stove and the gases entering the combustor must reach between 500°F - 700°F for catalytic activity to start. From the start up of a cold wood stove, a medium to high firing rate must be maintained for 30 min. This ensures that the wood stove, catalyst and fuel are all stabilized at proper operating temperatures. Even though it is possible to have temperatures at 600°F within minutes after a fire has been started, if the fire is allowed to die down immediately it may go out or the combustor may stop working. Once the combustor starts working, heat generated in it by burning the smoke will keep it working. During re-fueling and rekindling of the cool fire, or a fire that has burned down to the charcoal phase, operate the wood stove at a medium to high firing rate for about 10 minutes to ensure that the catalyst reaches operating temperatures.

WARNING: Never build a roaring fire in a cold wood stove. Always warm your wood stove up slowly!

- When re-fueling, always open bypass control, and primary air damper, load fuel, then wait for at least 10-15 minutes before closing the by-pass. Reason for the 10-15 min. is the fresh fuel and the opening of the door will cause the catalyst to drop in temperature as well as the moisture within the wood which is the first thing to be released. This will also minimize any smoking (spilling) back into the room.
- During the first few days it may be more difficult to start the fire. As you dry out your firebrick and your masonry flue, your draft will increase.
- For those units installed at higher elevations or into sub-standard masonry fireplaces, drafting problems may occur. Consult an experienced dealer or mason on methods of increasing your draft.
- Some cracking and popping noises may be experienced during the heating up process. These noises will be minimal when your unit reaches temperature.
- All fuel burning appliances consume oxygen during operation. It is important that you supply a source of fresh air to your unit while burning. A slightly opened window is sufficient for the purpose. If you also have another fireplace in your home, a downdraft may be created by your Regency wood stove causing a draft down your chimney. If this occurs, slightly open a window near your unit.

CAUTION: If the body of your wood stove, or any part of the chimney connector starts to glow, you are over firing. Stop loading fuel immediately and close the draft control until the glow has completely subsided.



How to Light and Maintain a Wood Stove Fire

operating instructions

14. Green or wet wood is not recommended for your unit. If you must add wet or green fuel, open the draft control fully until all moisture has been dispersed by the intense fire. Once all moisture has been removed, the draft control may be adjusted to maintain the fire.
15. If you have been burning your stove on a low draft, use caution when opening the door. After opening the damper, open the door a crack, and allow the fire to adjust before fully opening the door.
16. The controls of your unit or the air supply passages should not be altered to increase firing for any reason.
17. If you burn the unit too slowly or at a too low setting your unit will not be operating as efficiently as it can. An easy rule of thumb says that if your glass is clean, catalytic thermostat is active, then your flue is clean and your exhaust is clean. Burn the stove hot enough to keep your glass clean and catalytic combustor, you won't need to clean your flue as often.

HOT WHILE IN OPERATION. KEEP CHILDREN, CLOTHING AND FURNITURE AWAY. CONTACT MAY CAUSE SKIN BURNS.

NOTE: You can stir and level the coals before reloading to ensure proper charcoaling and a good start up of the load.

FAN OPERATION

Automatic

To operate the fan automatically, push the bottom switch on the side of the fan housing to "AUTO" and the top switch to either "HIGH" or "LOW" for fan speed.

This will allow the fan to turn on as the stove has come up to operating temperature. It will also shut the fan system off after the fire has gone out and the unit cooled to below a useful heat output range.

Route power cord to either left or right behind unit.

Manual

To manually operate the fan system push the bottom switch to "MAN" and the top switch to either "HIGH" or "LOW". This will bypass the sensing device and allow full control of the fan.

Switching from "AUTO" to "MAN" or "HIGH" to "LOW" may be done anytime.

ASH DISPOSAL

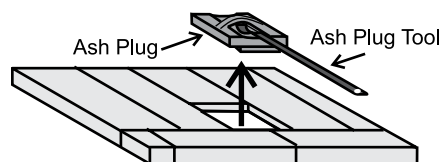
During constant use, ashes should be removed every few days. The Ash Drawer option features a convenient ash dump for easy removal of ash, refer to Modular Installation Options section.

Safety Precautions

1. Do not allow ashes to build up to the loading doors! Only remove ashes when the fire has died down. Even then, expect to find a few hot embers.
2. Please take care to prevent the build-up of ash around the start-up air housing located inside the stove box, under the loading door lip.
3. Never start a fire if the ash plug and ash drawer are not in place. This will cause over firing which can cause excessive warping of the stove. Evidence of over firing can void the warranty on your stove.
4. The firebricks are brittle and can be damaged if the plug is replaced carelessly or pieces that are too large are forced through the hole.

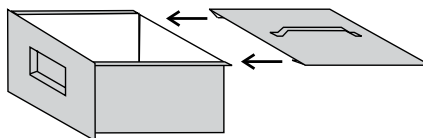
Ash Drawer Operating Guideline

1. Only clean ashes out of the stove when the unit has cooled down. Remove the plug by lifting on the handle using the tool provided. The plug may still be warm, use caution. Push the ashes down the hole into the ash drawer, the large pieces can be left in the firebox and burned during the next fire or removed through the door opening.
2. Always leave 1/2 to 1 inch of ash in the bottom of the firebox. This helps in easier starting and a more uniform burn of your fire. Replace ash plug when ashes have been removed.



3. Pedestal Units:

To remove the drawer, lift slightly and slide it out. When the drawer is completely out, slide the cover plate over the ash drawer and carry away.



CAUTION: HOT WHILE IN OPERATION. KEEP CHILDREN, CLOTHING AND FURNITURE AWAY. CONTACT MAY CAUSE SKIN BURNS.

4. When emptying the ash drawer, make sure the ashes are cold. Ashes should be placed in a metal container with a tight fitting lid. The closed container of ashes should be placed on a non-combustible floor or on the ground, well away from all combustible materials, pending final disposal. If the ashes are disposed of by burial in soil or otherwise locally dispersed, they

should be retained in the closed container until all cinders have thoroughly cooled. Other waste should not be placed in the ash container.

5. Before putting the ash drawer back into place, make sure the ash plug is back in place.

Pedestal Units: make sure the cover lid is off.

SAFETY GUIDELINES AND WARNINGS

CAUTION: DO NOT USE CHEMICALS FOR FLUIDS TO START FIRE.

1. **CAUTION:** Never use gasoline, gasoline type lantern fuels, kerosene, charcoal lighter fuel, or similar liquids to start or 'freshen up' a fire in your heater. Keep all such liquids well away from the heater while it is in use.
2. Keep the door closed during operation and maintain all seals in good condition.
3. Do not burn any quantities of paper, garbage, and never burn flammable fluids such as gasoline, naphtha or engine oil in your stove.
4. If you have smoke detectors, prevent smoke spillage as this may set off a false alarm.
5. Do not overfire heater. If the chimney connector, flue baffle or the stove top begin to glow, you are over firing. Stop adding fuel and close the draft control. Over firing can cause extensive damage to your stove including warping and premature steel corrosion. Over firing will void your warranty.
6. Do not permit creosote or soot build-up in the chimney system. Check and clean chimney at regular intervals. Failure to do so can result in a serious chimney fire.
7. Your Regency stove can be very hot. You may be seriously burned if you touch the stove while it is operating, keep children, clothing and furniture away. Warn children of the burn hazard.
8. The stove consumes air while operating, provide adequate ventilation with an air duct or open a window while the stove is in use.
9. Do not connect this unit to a chimney flue serving another appliance.
10. Do not use grates or andirons or other methods for supporting fuel. Burn directly on the bricks.
11. Open the draft control fully for 10 to 15 seconds prior to slowly opening the door when refuelling the fire.
12. Do not connect your unit to any air distribution duct.
13. This heater is designed to burn natural wood only. Higher efficiencies and lower emissions generally result when burning air dried seasoned hardwoods, as compared to softwoods or to green or freshly cut hardwoods.

DO NOT BURN:

- Treated wood
- Coal
- Garbage
- Cardboard
- Solvents
- Colored Paper
- Trash
- Salt drift wood
- Cut lumber, plywood, mill ends.

Burning treated wood, garbage, solvents, colored paper or trash may result in release of toxic fumes and may poison or render ineffective the catalytic combustor. Burning coal, cardboard, or loose paper can produce soot, or large flakes of char or fly ash that can coat the combustor, causing smoke spillage into the room, and rendering the combustor ineffective.

14. Do not store any fuel closer than 2 feet from your unit. Do not place wood, paper, furniture, drapes or other combustibles near the appliance.

15. WARNING: Do not operate without either the Ash Plug properly seated or the Ash Dump Plates screwed in place, excessive temperatures will result.

16. CAUTION: Do not operate with cracked/ broken, plugged, or glazing catalyst.

IMPORTANT : It is against federal regulation to operate this wood heater in a manner inconsistent with operating instructions in this manual, or if the catalytic element is deactivated or removed.

CAUTION: DO NOT BURN GARBAGE OR FLAMMABLE LIQUIDS SUCH AS GASOLINE, NAPHTHA OR ENGINE OIL. SOME FUELS COULD GENERATE CARBON MONOXIDE AND ARE VERY DANGEROUS.

CAUTION: DO NOT CONNECT TO, OR USE IN CONJUNCTION WITH ANY AIR DISTRIBUTION DUCT WORK UNLESS SPECIFICALLY APPROVED FOR SUCH INSTALLATION.

Troubleshooting Guide

PROBLEM	POSSIBLE CAUSE	SOLUTION
Crumbling Substrate	Extreme Thermal Shock Refueling with Wet Wood High Draft	Bypass combustor when the stove is running Use seasoned, dried wood. Do not exceed .06" of water draft. Install a manual damper and draft gauge or a barometric damper.
Fly-Ash Build-up Fly-Ash Masking Fly-ash Plugging	Combustor has not maintained light-off temperature. Combustor has not maintained light-off temperature. Burning materials that produce a lot of char and fly-ash. Closing the bypass too soon	Brush cold combustor with a soft bristled brush or vacuum lightly. Brush cold combustor with a soft bristled brush or vacuum lightly. Do not burn cardboard, gift wrap or garbage. Follow instructions for proper light-off.
Thermal Cracking	Uneven temperatures, flame impingement and heat spikes.	If cracking causes large pieces to fall out, replace combustor.
Mechanical Cracks	Combustor mishandled or abused. Distortion of combustor holder.	Handle combustor with care. Replace if necessary. Replace combustor if large pieces are missing, replace any warped stove parts as well.
Plugging (Creosote)	Burning wet, pitchy woods or burning large loads of small diameter wood with the combustor in the operating position without light-off ever occurring.	Burn dried seasoned wood. Make sure combustor has light-off before closing the bypass damper. It may be possible to burn off the soot or creosote accumulation by putting the combustor in a partially open and partially closed position after a hot fire has been started.
Masking (Soot)	Combustor has not maintained a light-off. Burning coal will cause a sulfur-based compound to coat the catalyst.	Place combustor in a partially open and partially position after a hot fire has been started to burn off the soot accumulation. Revert to burning wood and fire the combustor to elevated temperatures for one hour.

MAINTENANCE

It is very important to carefully maintain your fireplace stove, including burning seasoned wood and maintaining a clean stove and chimney system. Have the chimney cleaned before the burning season and as necessary during the season, as creosote deposits may build up rapidly. Moving parts of your stove require no lubrication.

THERMOMETER

The catalyst thermometer is only a indication of the flue gas temperature as they pass through the catalyst. The thermostat probe that is inserted into the opening, must be cleaned at least once a year. Use 220 sand paper to clean probe.



CREOSOTE

When wood is burned slowly, it produces tar and other organic vapours combine with moisture to form creosote. The creosote vapours condense in the relatively cool chimney flue of a slow burning fire. As a result, creosote residue accumulates on the flue lining. When ignited, this creosote can result in an extremely hot fire.

The chimney connector and chimney should be inspected at least once every two months during the heating season to determine if creosote build up has occurred. If creosote has accumulated it should be removed to reduce the risk of chimney fire.

CAUTION: Things to remember in case of a chimney fire:

1. Close all draft and damper controls.
2. CALL THE FIRE DEPARTMENT.

Ways to Prevent and Keep Unit Free of Creosote

- 1) Burn stove with the draft control wide open for about 10-15 minutes every morning during burning season.
- 2) Burn stove with draft control wide open for about 10 - 15 minutes every time you apply fresh wood. This allows the wood to achieve the charcoal stage faster and burns up any unburned gas vapours which might otherwise be deposited within the system.
- 3) **Only burn seasoned wood!** Avoid burning wet or green wood. Seasoned wood has been dried at least one year.

- 4) A small hot fire is preferable to a large smouldering one that can deposit creosote within the system.
- 5) The chimney and chimney connector should be inspected at least once every two months during the heating season to determine if a creosote buildup has occurred.
- 6) **Have chimney system and unit cleaned by competent chimney sweeps twice a year during the first year of use and at least once a year thereafter or when a significant layer of creosote has accumulated (3mm/1/8" or more) it should be removed to reduce the risk of a chimney fire.**

DOOR GASKET

If the door gasket requires replacement 5/8" diameter material must be used. Regency uses a gasket rope 5/8" Medium Density (Part #846-530). A proper high temperature gasket adhesive is required. See your Regency Dealer.

The door catch may require adjustment as the door gasket compresses after a few fires. The door latch compression may require adjustment to renew seal. Removal of a shim, (see section in this manual), will allow the latch to be moved closer to the door frame, causing a tighter seal.

GLASS MAINTENANCE

Your Regency stove is supplied with 5mm Neoceram ceramic glass (Part #940-416/P) that will withstand the highest heat that your unit will produce. In the event that you break your glass by impact, purchase your replacement from an authorized Regency dealer only, and follow our step-by-step instructions for replacement (refer to Glass Replacement section).

Allow the stove to cool down before cleaning the glass. Cleaning the glass will prevent build up of carbon and allow full view of the fire. **WARNING:** Do not clean the glass when it is hot. **WARNING:** Do not use abrasive cleaners, a damp cloth and glass cleaner is effective.

WOOD STORAGE

Store wood under cover, such as in a shed, or covered with a tarp, plastic, tar paper, sheets of scrap plywood, etc., as uncovered wood can absorb water from rain or snow, delaying the seasoning process.

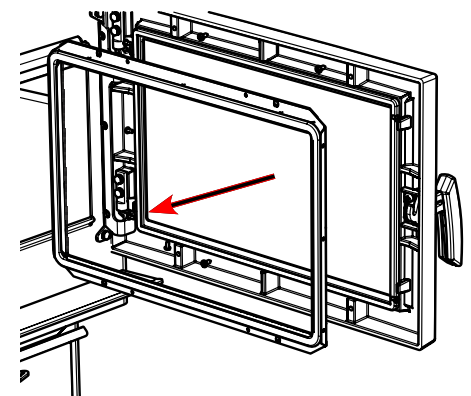
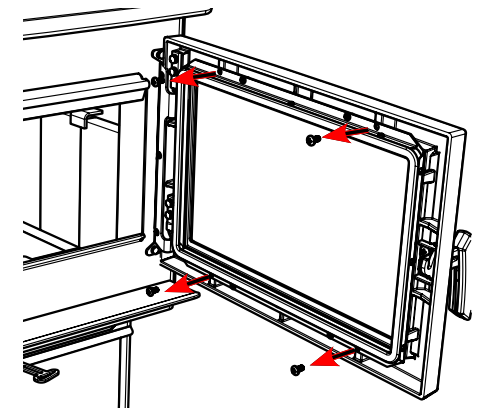
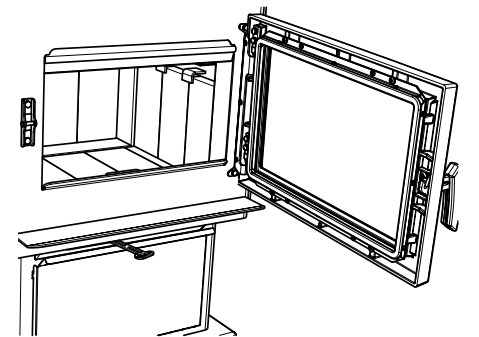


GLASS REPLACEMENT

Allow the stove to cool before removing or replacing glass. Remove the door from the stove and remove the glass retainer. To avoid injury use caution when removing broken glass. Wear safety gloves. When placing the replacement glass in the door, make sure that the glass gasketing will properly seal your unit. Replace the retainer, it should rest on the gasket not the glass, and tighten securely with a glass clips and screws. Do not wrench down on the glass as this may cause breakage.

Do not use substitute materials. If your glass does break, do not use your unit until it has been replaced.

WARNING: Do not abuse the door by striking or slamming shut. Cracked glass can cause the heater to overfire.



CATALYTIC COMBUSTOR

ACHIEVING AND MAINTAINING CATALYST LIGHT-OFF:

The temperature in the stove and the gases entering the combustor must be raised to between 500F to 700F for catalytic activity to be initiated. During the start up of a cold stove a medium to high firing rate must be maintained for about 30 minutes. This ensures that the stove, catalyst and fuel are all stabilized at proper operating temperatures. Even though it is possible to have temperatures at 600F within minutes after a fire has been started, if the fire is allowed to die down immediately it may go out or the combustor may stop working. Once the combustor starts working, heat generated in it by burning the smoke will keep it working. During re-fueling and rekindling of the cool fire, or a fire that has burned down to the charcoal phase, operate the stove at a medium to high firing rate for about 10 minutes to ensure that the catalyst reaches operating temperatures.

CATALYST MONITORING: It is important to periodically monitor the operation of the catalytic combustor to ensure that it is functioning properly and to determine when it needs to be replaced. A non-functioning combustor will result in a loss of heating efficiency, and an increase in creosote and emissions. Following is a list of items that should be checked on a periodic basis.

- Combustors should be visually inspected at least three times during the heating season to determine if physical degradation has occurred. Actual removal of the combustor is not recommended unless more detailed inspection is warranted because of decreased performance. If any of these conditions exist, refer to Catalyst trouble shooting section of this owner's manual.
- A good combustor is designed to withstand approximately 12,000 hours of continuous use. This will translate into five to ten years of use, depending on the length of your heating season and how often you use your stove. Proper maintenance will increase the combustor's effectiveness and prevent many problems. Inspect your combustor before each heating season, and during the season if your stove's performance seems to change.
- This catalytic heater is equipped with a temperature probe to monitor catalyst operation. Properly functioning combustors typically maintain temperatures in excess of 500F and often reach temperatures in excess of 1000F. If catalyst temperatures are not in within, refer to Catalyst trouble shooting section of this manual.
- You can get an indication of whether the catalyst is working by comparing the amount of smoke leaving the chimney when the smoke is going through the combustor and catalyst light – off has been achieved, to the amount of smoke leaving the chimney when the smoke is not routed (by-pass open) through the combustor.

Step 1: Light the stove in accordance with instructions within this manual.

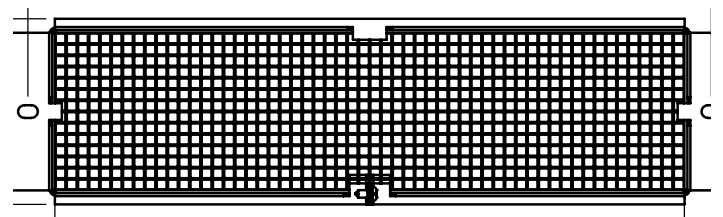
Step 2: With smoke routed through the catalyst (by-pass closed) go outside and observe the emissions leaving the chimney.

Step 3: Engage the bypass mechanism and move to by-pass open position. And again observe the emission leaving the chimney. Significantly more smoke should be seen when the smoke is not routed through the combustor (by-pass open). Be careful not to confuse smoke with steam.

ACHIEVING PROPER DRAFT: Draft is the force which moves air from the appliance up through the chimney. The amount of draft in your chimney depends on the length of the chimney, local geography, nearby obstructions and other factors. Too much draft may cause excessive temperatures in the appliance and may damage the catalytic combustor. Inadequate draft may cause back puffing into the room and plugging of the chimney or catalyst.

CATALYTIC COMBUSTOR CLEANING:

Method #1
A vacuum cleaner may be used, but never use high pressured air to blow the cells free of any build-up. This can damage the cell walls. Any cell blockage can be removed with the use of a pipe cleaner or a cotton swab as well.
Method #2
Should the combustor's cells become covered with fly-ash, use a paint-brush or soft-bristled brush and dust the combustor gently. Never use anything abrasive to clean the combustor.
Method #3
Normally the catalytic combustor requires little or no maintenance, it generates such high temperatures and therefore is basically self-cleaning. However, should the combustor become covered with soot or creosote, it is possible to burn the accumulation off by opening the bypass and building a hot fire. Once the hot fire is created, close the bypass halfway and burn for 30 to 60 minutes with the bypass left in this position. Never use cleaning solvents to clean it. Check and clean the combustor, if necessary, before each burning season and inspect the flue system for any signs of creosote buildup.
A clean flue helps prevent chimney flue fires.

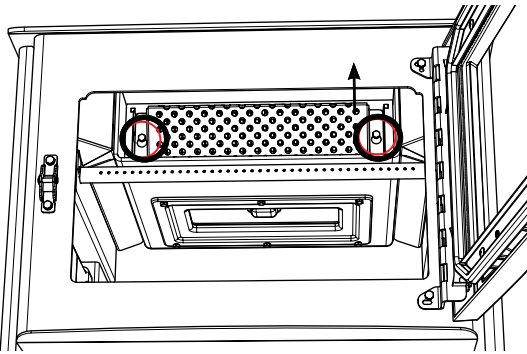


COMBUSTOR ASSEMBLY REMOVAL/REPLACEMENT

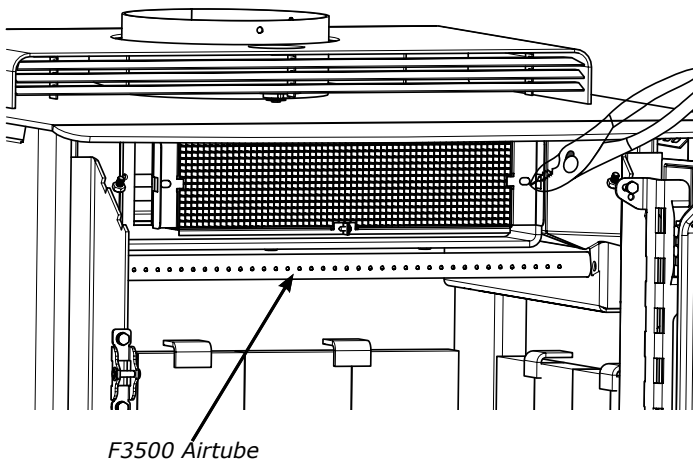
The catalytic thermometer on top of the stove should read in the active zone after the stove has been in operation for several hours. If the thermometer's indicator needle does not stay in the active zone, even with a hot fire, over a period of regular use, the catalyst may need to be cleaned. If this persists it may be necessary to replace it.

If the combustor must be examined or replaced, follow this procedure:

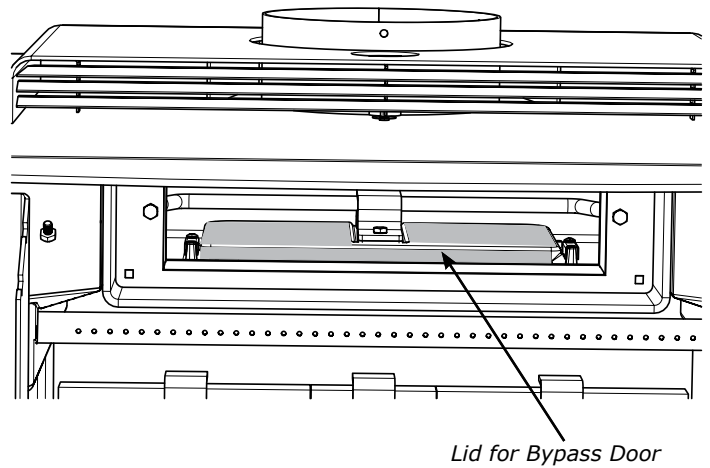
1. Allow the stove to burn out and cool down.
2. Remove stainless steel smoke deflector - See instructions in this manual.
3. Open the door and loosen the two 7/16" bolts -see locations below.



4. Lift flame shield slightly upwards in keyhole slot and pull it forward and down.
5. Use a pair of pliers and gently slide out the band at each end. The assembly will loosen enough that it can be pulled forward, lowered, and pulled out through the door.



NOTE: If also replacing the gasket in the bypass door (see next page), remove the lid of the bypass door while it is accessible and complete steps in Bypass Door Gasket Replacement.



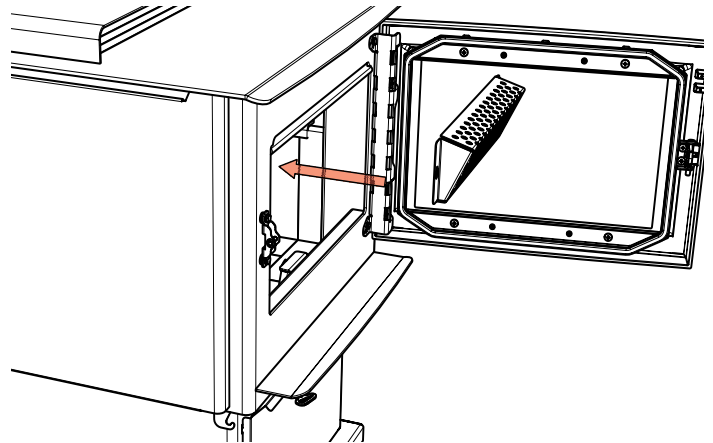
TO REPLACE THE COMBUSTOR:

First clean the combustor area and the area around the by-pass, use a vacuum cleaner.

Lift the new combustor into position, with the stainless flanges on each end facing forward.

The combustor should slide easily into position, you may need to pinch down the top center with your finger to start, gently push as far to the back of the stove as possible.

Replace the flame shield in the orientation shown below.



Lift it into position, place the key slot opening over the bolt and push the flame shield down to seat. Tighten the bolt till its SNUG only, do not over tighten. The flame shield should rest at an angle (about 45 degrees) with the thin end at the bottom and the thick end near the top of the stove.

NOTE: Replacement combustors can be retrieved from Applied Ceramics or Contact your local Regency Dealer for details.

DO NOT OPERATE THE APPLIANCE IF COMBUSTOR BECOMES INACTIVE - DO NOT OPERATE WITHOUT COMBUSTOR.



F3500 Airtube Replacement

BYPASS DOOR GASKET REPLACEMENT

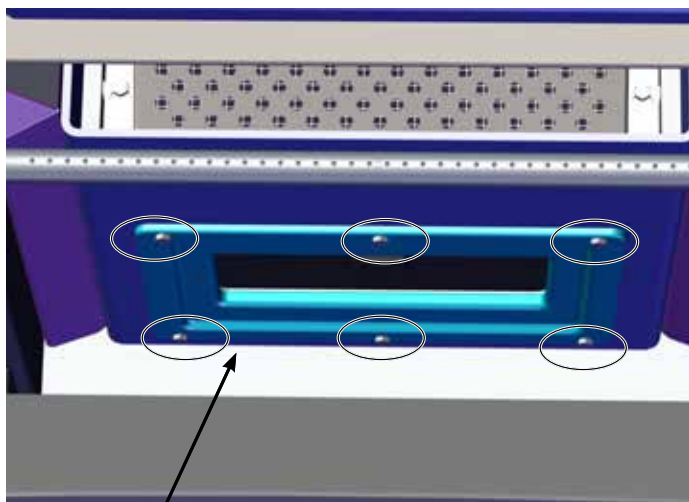
1. Allow the stove to burn out and cool down, until cool to touch.
2. Open stove door to access bypass door.



3. Loosen the 3 rear nuts, then remove 3 front nuts. Support the Bypass Door from the front /back and slide forward to remove Bypass Door Assembly.

Note: if any of the bolts become damaged, the bolt bracket assemblies may be replaced—see next page.

Important: Bypass door is very heavy (>18 lbs) - use caution when servicing.



Loosen 3 rear nuts



F3500 Damper Assembly Draft

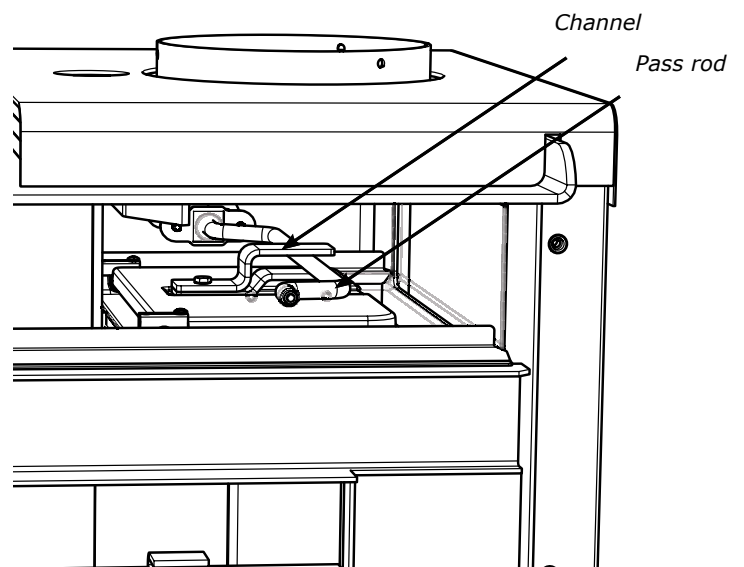
4. Slide bypass door assembly forward, lower complete assembly with care. Lift lid on bypass door assembly to reveal gasket.



5. Remove old gaskets and replace with new ones.



6. Reverse steps to reinstall - ensure the pass rod is seated with the channel on the pass door.
(Unit viewed as transparent to facilitate view)

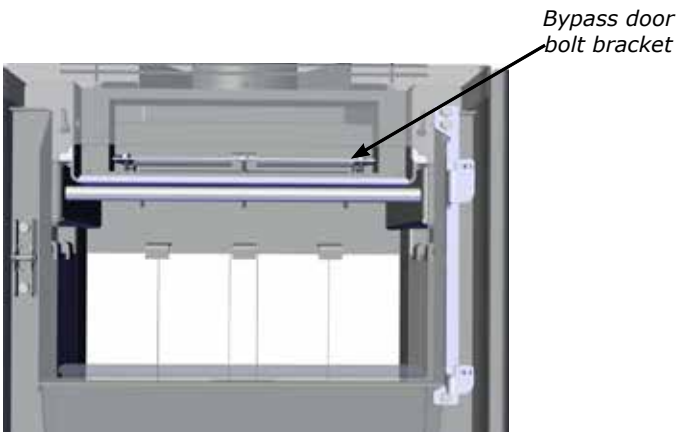


BYPASS DOOR BOLT BRACKET ASSEMBLY REPLACEMENT

If any of the bolts used to secure the bypass door become damaged - the bypass door bolt bracket assembly can be replaced.

1. Allow the stove to burn out and cool down, until cool to touch.
2. Remove bypass door before attempting to remove bolt bracket assembly—see detailed instructions on previous page.
3. Open stove door and remove stainless steel smoke deflector, flame shield and catalytic combustor to access bypass door—see detailed instructions in this manual.
4. Lift out (front or rear) bypass door bolt bracket assembly and replace with a new one.

Note: The rear nuts which are only loosened when removing the by pass door will need to be removed in order to remove the bolt bracket assembly.

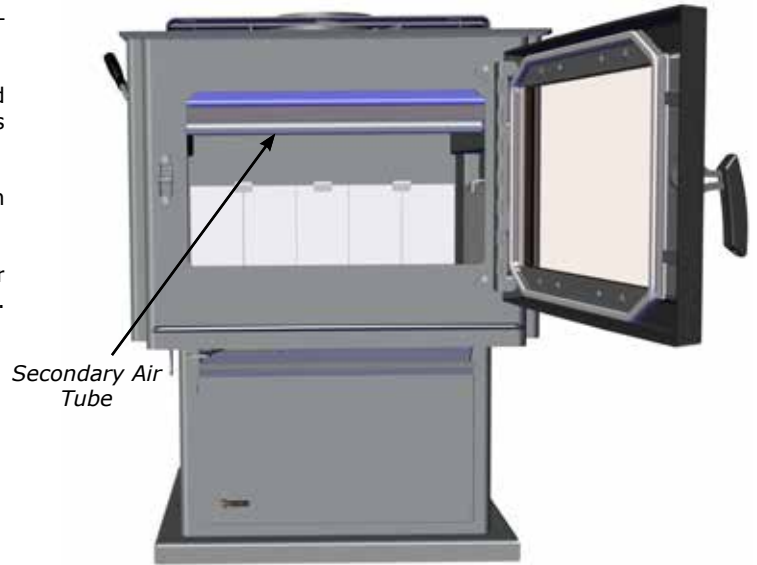


Bypass door bolt bracket removed

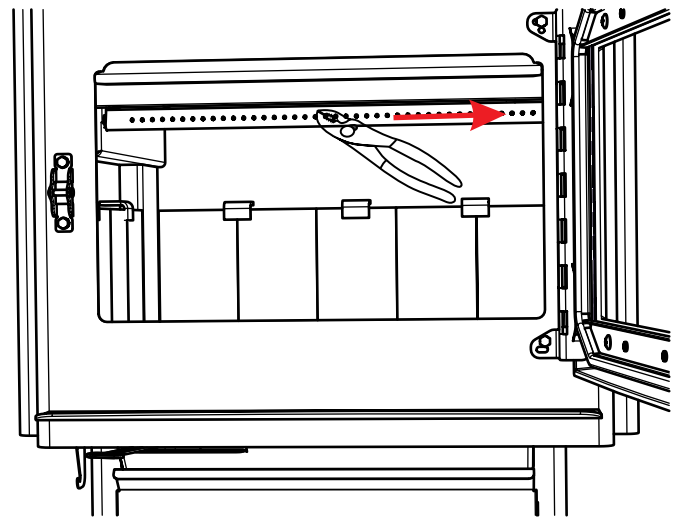


SECONDARY AIR TUBE REMOVAL/ INSTALLATION

1. Allow the stove to burn out and cool down, until cool to touch.
2. Open stove door to access secondary air tube.



3. Grasp secondary air tube firmly with vise grips, using a hammer tap vise grips from right to left until air tube is released from grip. Remove.



4. To reinstall or replace, first slide left side of tube into hole on left side air channel. Align tab on right side air channel with notch on right hand end of air tube. Firmly grip center of air tube with vise grips, use hammer to tap vise grips from left to right until the tube bottoms out into the air channel on right.

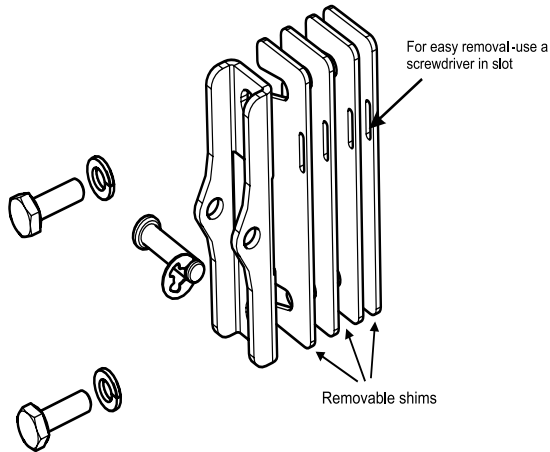
Note: If air tube is locked into place correctly there should be slight movement when moving the air tube back and forth.

5. Reverse steps to reassemble stove.

**DOOR CATCH
ADJUSTMENT**

After a few fires, the door catch may require adjustment to renew a tight seal, as the door gasket will compress. Removal of a shim, shown in the diagram below, will allow the catch to be moved closer to the door frame, creating a tighter seal.

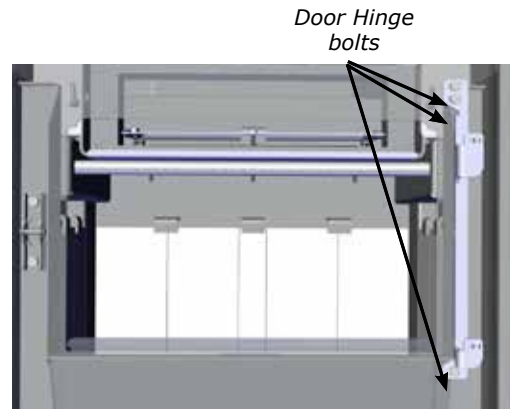
To remove a shim, loosen the 2 bolts to create clearance behind catch. Place a screwdriver in the slot of the shim and slide out. Retighten bolts.
 Note: Keep the shims - they may be required in the future when the gasket is replaced.



**DOOR HINGE
ADJUSTMENT**

If the door hinge ever requires adjustment, ensure that the bolt is put on hand tight and tightened a further 1/2 turn using a wrench. Do not overtighten as this can damage the bolt or nutsert.

Note: Some models may only have 1 bolt at the top. This version shows 2 top bolts.



maintenance

Annual Maintenance	
Completely clean out entire unit	Annually
Inspect air tube, Catalytic Combustor and bricks	Replace any damaged parts.
Adjust door catch assembly	If unable to obtain a tight seal on the door - replace door gasket seal. Readjust door catch after new gasket installed.
Inspect condition and seal of: Glass Gasket Door Gasket Bypass Door Gasket	Perform paper test - replace gasket if required
Paper Test	Test the seal on the loading door and bypass door with a paper bill. Place a paper bill in the gasket area of the door on a cold stove. Close the door. Try to remove the paper by pulling. The paper should not pull out easily; if it does, try adjusting the door latch (loading door only). If that doesn't solve the problem, replace the door gasket, bypass gasket, or both.
Check and lubricate door hinge + latch	Use only high temperature anti seize lube. (ie. never seize)
Check glass for cracks	Replace if required.
Clean blower motor	Disconnect power supply. Remove and clean blower. *DO NOT LUBRICATE*
Inspect and clean chimney	Annual professional chimney cleaning recommended.
Thermostat Probe	The thermostat probe that is inserted into the opening, must be cleaned at least once a year. Use 220 sand paper to clean probe.

NOTE:

Chimney Cleaning

When cleaning the chimney system the catalyst should be removed so this can also be cleaned at the same time following the guide lines found in this manual. The bypass should be open so any creosote will fall onto the firebox floor when being cleaned and door closed. The monitor should also be removed when cleaning is being done to prevent damage to the monitor.

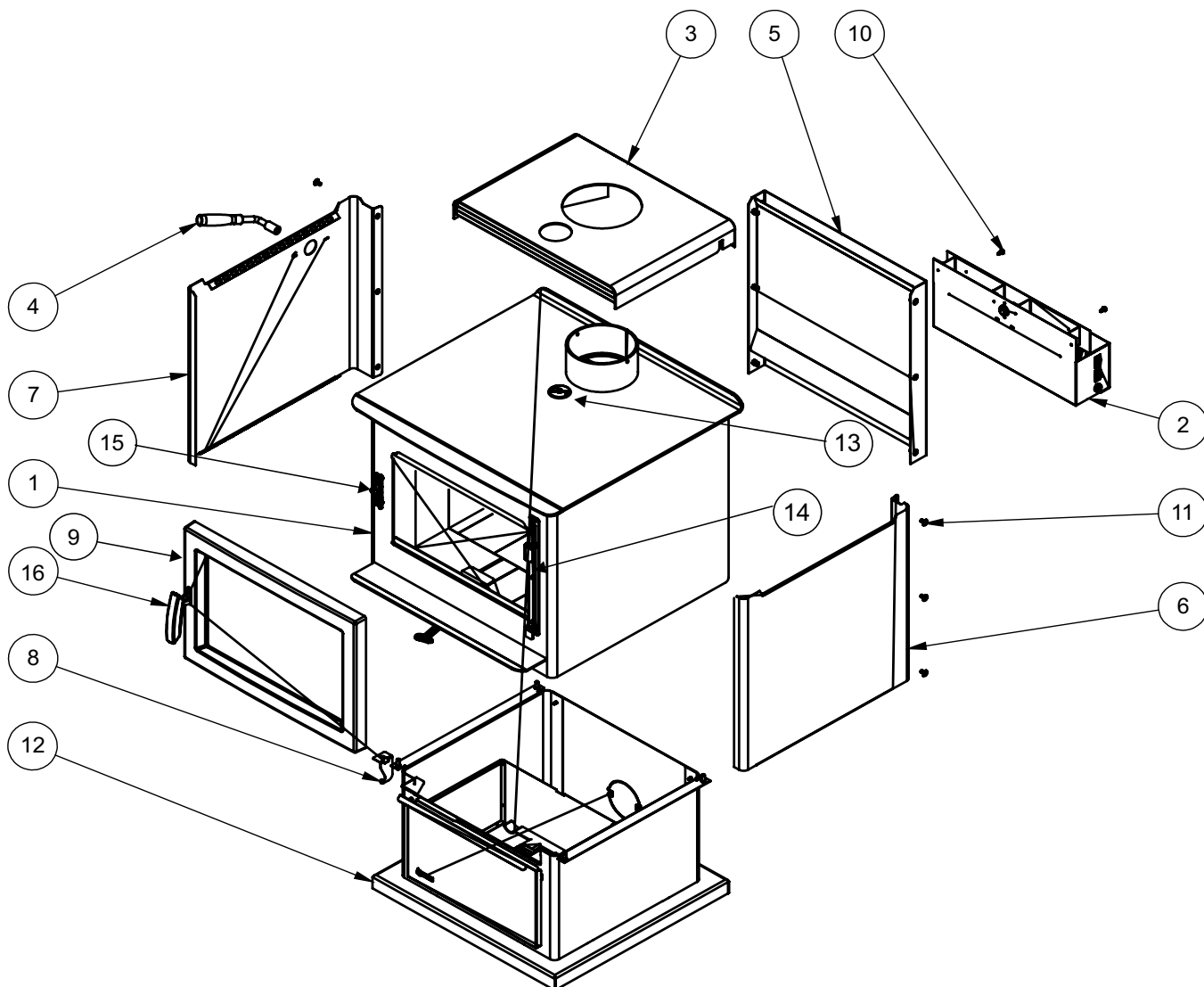
We highly recommend that the chimney cleaning be done by a professional as they will have the necessary tools such as a proper sized brush and special vacuum cleaner designed to deal with fine particles.

IMPORTANT: Before attempting to loosen or remove any screw, bolt from the interior of a wood stove, insert or factory built fireplace that has had a fire burned in it, we highly recommend to liberally spray the screw/bolt with a good-quality penetrating oil, one that does not have flammable properties contained within the penetrating oil being used. Allow it to set, then tap or vibrate the screw or bolt to help loosen it before attempting to remove it. For best results, follow the instructions that are provided with the penetrating oil.

F3500 STOVE MAIN ASSEMBLY

Part #	Description	Part #	Description
2	846-515 Fan - free standing stove	8	051-018 Handle holder
3	042-912 Airmate - medium assembly	9	042-520 Cast door assembly
4	051-538 Removable arm assembly	051-530	Catalytic Combustor Assembly (not shown)
5	* Rear Heat Shield Assembly	033-953	Airtube 1" x 23" long
6	042-029 Classic side heat shield - RH	10	904-245 #10-16 x 1/2" SDS HEX HD
7	042-028 Classic side heat shield - LH	11	904-530 Screw 1/4-20 x 1/2 LG
910-157/P	Replacement Motor	12	042-532 Pedestal assembly
910-138	Auto/Manual Switch	13	051-067 Thermometer
910-140	Hi/Off/Lo switch	936-074	Gasket Bypass Door
910-142	Fan Thermodisc	042-007	Stainless Steel Smoke Deflector
042-035	Flame shield and mixer	14	042-509 Door Hinge Assembly
815-557	Rear Deflector	15	156-514 Door Catch assembly
042-017	Gasket-Firebox Floor	16	156-241 Removable Cast Handle
948-223	Regency Logo Plate	042-016	L/R stainless steel firebox filler
		051-085	Gasket Bypass Frame
		051-510	Bypass Frame 3 Bolt Assembly (each)
		919-552	Manual

* Not a replacement part

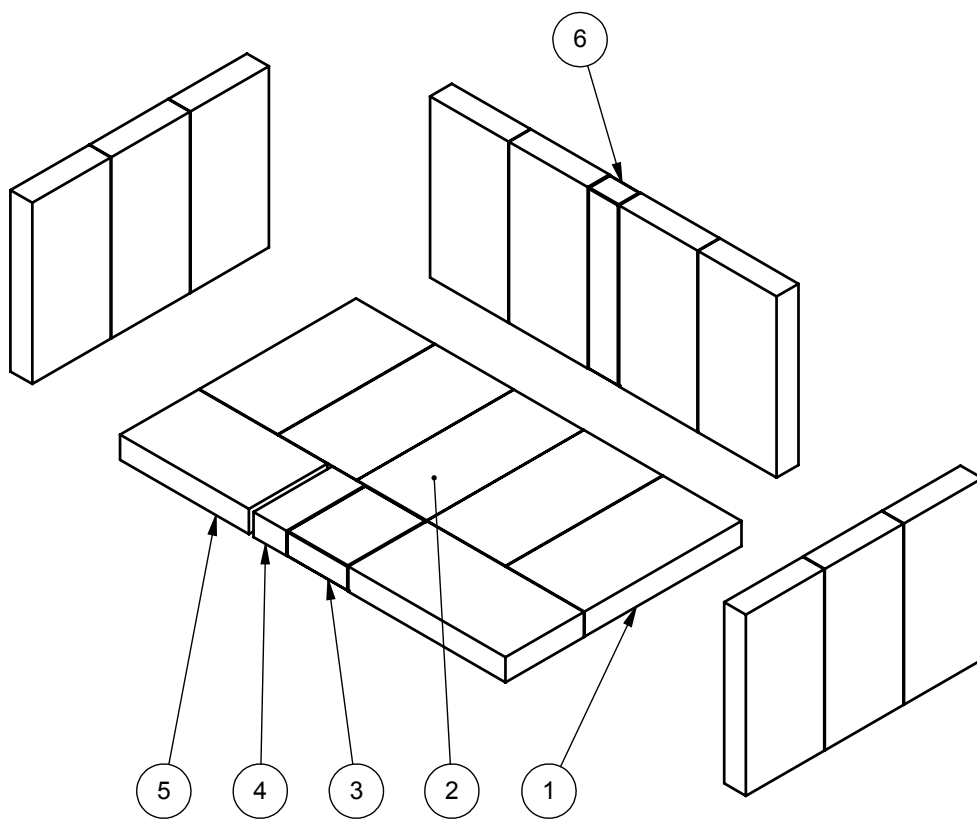


parts list

F3500 STOVE BRICK LAYOUT

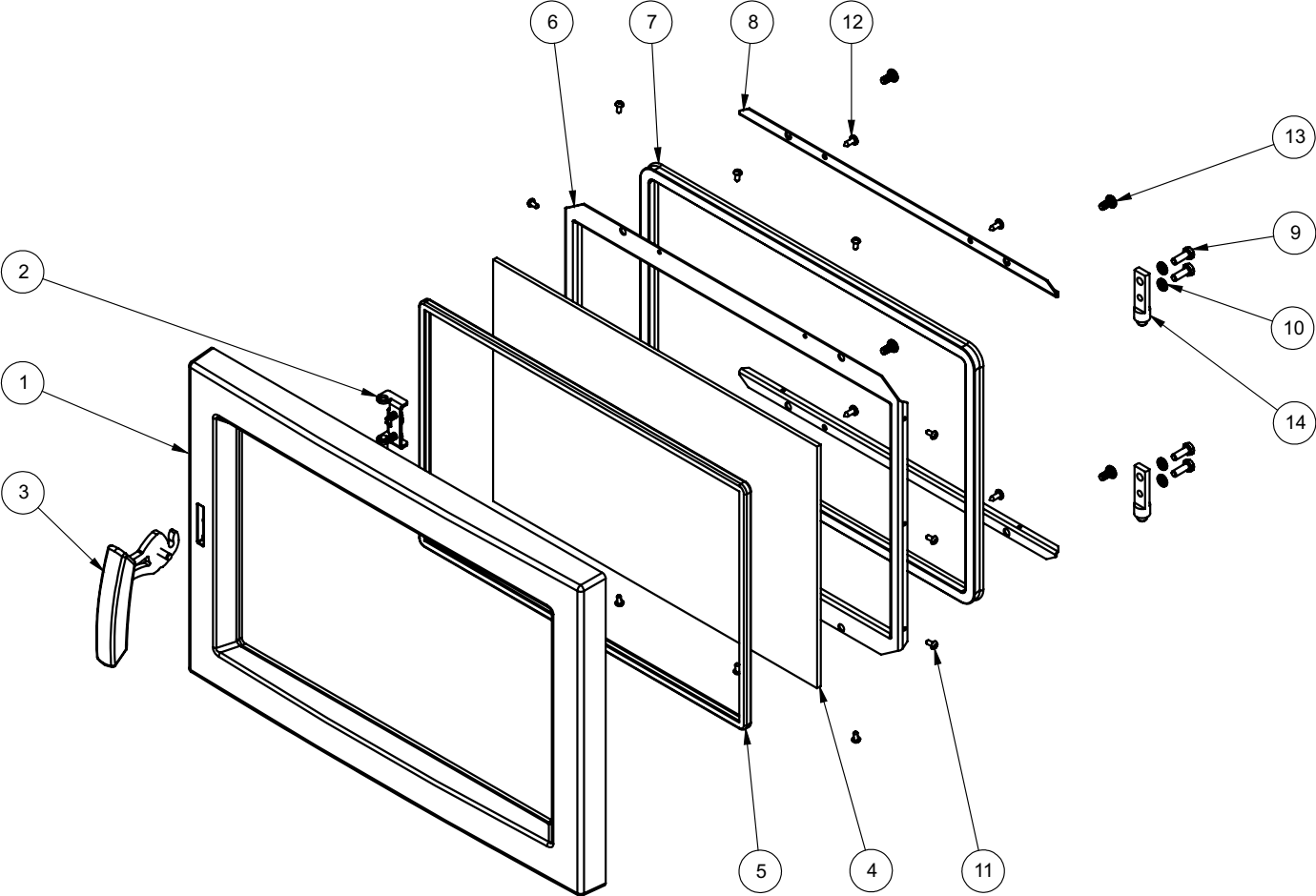
042-960 Brick Set Complete

Fire bricks	
#	Size
1	4-1/2" x 9"
2	4" x 9"
3	3-1/2" x 4-1/2"
4	1-3/4" x 4-1/2"
5	4-1/2" x 7-5/8"
6	1-3/4" x 9"



DOOR ASSEMBLY

Part #	Description	Part #	Description
1	042-520 Door cast black (F3500)	7	846-530 5/8" Medium Door gasket kit
2	106-541/P Aligner assembly	8	042-021 Gasket bracket
3	156-514 Removable cast handle assembly	9	904-513 Hex bolt 1/4-20 x 3/4 LG.
4	940-416/P Door glass (includes glass gasket)	10	904-525 Washer 1/4" split lock
5	846-682 7/8" Window Adhesive Gasket Tape (12') (943-243)	11	904-149 SMS #8-18 x 3/8 LG
6	042-020 5/8" Gasket Retainer	12	904-146 Screw #10 x 1/2" self tap pan hd philips
	106-131F Door Shims (Each)	13	904-015 1/4-20 x 1/2 pan hd phil
		14	948-155 Hinge pin



Indoor Wood Product Warranty

Limited Lifetime Warranty

FPI Fireplace Products International Ltd. (for Canadian customers) and Fireplace Products U S, Inc. (for US customers) (collectively referred to herein as “FPI”) extends this Limited Lifetime Warranty to the original purchaser of this Appliance provided the product remains in the original place of installation. The items covered by this Limited Lifetime Warranty and the period of such coverage are set forth in the table below.

An Appliance in this policy is defined as an Indoor wood insert or Indoor wood freestanding stove.

This Appliance has only been certified and listed for use indoors.

Note: This Wood Product Warranty does not apply to the Ri50 & CF780 models. See Ri50/CF780 policy for specific warranty details.

This Limited Lifetime Warranty starts on the day the Appliance was purchased.

The Limited Lifetime Warranty is not transferable, amendable or negotiable under any circumstances.

Indoor Wood Products	Component Coverage					Subsidized Labor Coverage*** (Years)
	Limited Lifetime	5 years	2 years	1 year	Warranty	
Welded Firebox Steel	✓					5
All Stainless Steel Components, Smoke Deflectors, Heat Shields etc.	✓					3
Air Tubes	✓					3
Airmate	✓					3
Door handle and latch assembly, all hardware	✓					3
Glass Thermal Breakage Only	✓					3
Steel Faceplates, Accessory Housings	✓					3
All Plating	✓					3
Ash Drawer, Heatshields, Pedestal	✓					0
All Baffles, Steel, Ceramic, Vermiculite C-Baffles	✓					0
All castings, firebox, surrounds, doors, panels etc.		✓				3
All Electrical, Blower, wiring, switches, Catalytic Monitors, Probes, etc.			✓			2
Glass - Crazing				✓		1
Catalyst Combustor					**10 Years Prorated	0
Venting/Chimney				✓		1
Screens				✓		1

**See specific warranty details regarding the catalyst combustor in this manual.

Note: Warranty coverage noted above may not be applicable as components/options vary based on appliance purchased.

Conditions:

Warranty protects against defect in manufacture or FPI factory-assembled components only, unless herein specified otherwise.

*****This warranty does not cover dealer travel costs, mileage, fuel, tolls for diagnostic or service work. All labor rates paid to authorized dealers are subsidized, pre-determined rates. Dealers may charge you for travel and additional time beyond their subsidy.**

Any part(s) found to be defective during the warranty period as outlined above will be repaired or replaced at FPI’s option through an accredited distributor, dealer or pre-approved and assigned agent provided that the defective part is returned to the distributor, dealer or agent for inspection if requested by FPI. Alternatively, FPI may, at its own discretion, fully discharge all of its obligations under warranty by refunding the verified purchase price of the product to the original purchaser. The purchase price must be confirmed by the original Bill of Sale.

The authorized selling dealer, or an alternative authorized FPI dealer if pre-approved by FPI, is responsible for all in-field diagnosis and service work related to all warranty claims. FPI is not responsible for results or costs of workmanship of unauthorized FPI dealers or agents in the negligence of their service work.

At all times, FPI reserves the right to inspect reported in the field/on location complaints of products claimed to be defective before processing or authorizing any claim. Failure to allow this upon request will void the warranty.

All warranty claims must be submitted by the dealer servicing the claim, including a copy of the Bill of Sale (proof of purchase by you). All claims must be complete and provide full details as requested by FPI to receive consideration for evaluation. **Incomplete claims may be rejected.**

Replacement Appliances to the original purchaser are limited to one per warranty term. Air tube and baffle replacements are limited to one replacement per warranty term.

The Appliance must be installed according to all manufacturers' instructions as per the manual. All Local and National required codes must be met.

The installer is responsible for ensuring the Appliance is operating as designed at the time of installation.

The original purchaser is responsible for the annual maintenance of the Appliance, as outlined in the owner's manual. As outlined below, the warranty may be voided due to problems caused by a lack of maintenance.

Purchased parts: Repair/replacement parts purchased by the consumer from FPI after the original coverage has expired on the Appliance will carry a **90-day** warranty from the purchase date, valid with a receipt only. Any item shown to be defective will be repaired or replaced at our discretion. No labor coverage is included with these parts.

If freight damage has been found either externally or internally, the dealer must be informed within 3 days. All claims as a result of damage must be submitted by the dealer servicing the claim, including a copy of the Bill of Sale (proof of purchase). All claims must be complete and provide full details as requested by FPI to receive consideration for evaluation. **Incomplete claims may be rejected.**

As this is a Limited Lifetime Warranty, if the Appliance needs to be replaced, the Appliance that was purchased at the time of sale might not be replaced with exactly the same model Appliance. In that case, FPI will replace your Appliance with one that is similar at the time of replacement under the terms of this Limited Lifetime Warranty, but **ONLY** in the event that an item covered by the Limited Lifetime Warranty is found to be defective. Please refer to the table on first page of this warranty for items covered by the Limited Lifetime Warranty. Product changes might be the result of the original Appliance being discontinued, changes in regulatory requirements, product advancements, etc., which are beyond the control of FPI. **This Limited Lifetime Warranty does not cover any installation costs, or costs associated with changes of required clearances for the replacement Appliance, hearth pads, mantles, facing and/or facing materials such as framing, completed walls made of drywall, wood, non-combustible board, tile, brick, stone, marble etc., venting/chimney systems, or components of the chimney system.**

If a suitable replacement is not available, FPI will refund **50%** of the purchase price of the Appliance and any applicable FPI accessories (faceplates, brick panels, media, etc.) purchased at the time of sale. **In no event will FPI refund any portion of the purchase price of, or reimburse costs associated with, any other items, including without limitation, installation of a new unit, changes of required clearances for a new unit, hearth pads, mantles, facing and/or facing materials such as framing, completed walls made of drywall, wood, non-combustible board, tile, brick, stone, marble etc., venting/chimney systems, or components of the chimney system. A copy of the receipt or bill of sale will be necessary to validate the purchase price.**

Exclusions:

This Limited Lifetime Warranty does not extend to paint, rust or corrosion of any kind due to a lack of maintenance or improper venting, combustion air provision, corrosive chemicals (i.e. chlorine, salt, air, etc.), firebrick (rear, sides or bottom), door or glass gasketing, vermiculite floor bricks, and iron assemblies/flue damper rod or any other additional factory fitted gasketing, batteries.

Malfunction, damage or performance-based issues as a result of environmental conditions, location, chemical damages, downdrafts, installation error, an installation by an unqualified installer, incorrect chimney components (including but not limited to cap size or type), operator error, abuse, misuse, use of improper fuels (such as unseasoned cordwood, mill-ends, construction lumber or debris, off-cuts, treated or painted lumber, metal or foil, plastics, garbage, solvents, cardboard, coal or coal products, oil-based products, waxed cartons, compressed pre-manufactured logs, kiln dried wood), lack of regular maintenance and upkeep, acts of God, weather-related problems from hurricanes, tornados, earthquakes, floods, lightning strikes/bolts or acts of terrorism or war, which result in a malfunction of the Appliance are not covered under the terms of this Limited Lifetime Warranty.

warranty

FPI has no obligation to enhance or modify any Appliance once manufactured (i.e. as products evolve, field modifications or upgrades will not be performed on existing Appliances).

Any Appliance showing signs of neglect or misuse will not be covered under the terms of this warranty policy and may void this warranty, including Appliances with rusted or corroded fireboxes that have not been reported as rusted or corroded within **three (3)** months of installation/purchase.

Appliances which show evidence of being operated while damaged, or with problems known to the purchaser and causing further damages will void this warranty.

Appliances where the serial no. has been altered, deleted, removed or made illegible will void this warranty.

Minor movement, expansion and contraction of the steel is normal and is not covered under the terms of this warranty.

Freight damages for products or parts are not covered under the terms of the warranty.

Products made or provided by other manufacturers and used in conjunction with the FPI Appliance without prior authorization from FPI may void this warranty.

Limitations of Liability:

The original purchaser's exclusive remedy under this warranty, and FPI's sole obligation under this Limited Lifetime Warranty, express or implied, in contract or in tort, shall be limited to replacement, repair, or refund, as outlined above. IN NO EVENT WILL FPI BE LIABLE UNDER THIS WARRANTY FOR ANY INCIDENTAL OR CONSEQUENTIAL COMMERCIAL DAMAGES OR DAMAGES TO PROPERTY. TO THE EXTENT PERMITTED BY APPLICABLE LAW, FPI MAKES NO EXPRESS WARRANTIES OTHER THAN THE WARRANTY SPECIFIED HEREIN. THE DURATION OF ANY IMPLIED WARRANTY IS LIMITED TO DURATION OF THE EXPRESSED WARRANTY SPECIFIED ABOVE. IF IMPLIED WARRANTIES CANNOT BE DISCLAIMED, THEN SUCH WARRANTIES ARE LIMITED IN DURATION TO THE DURATION OF THIS WARRANTY.

Some US states do not allow limitations on how long an implied warranty lasts, or allow exclusion or limitation of incidental or consequential damages, so the above limitations or exclusions may not apply to you.

Customers located outside the US should consult their local, provincial or national legal codes for additional terms, which may be applicable to this warranty.

How to Obtain Warranty Service:

Customers should contact the authorized selling dealer to obtain warranty service. In the event the authorized selling dealer is unable to provide warranty service, please contact FPI by mail at the address listed below. Please include a brief description of the problem and your address, email and telephone contact information. A representative will contact you to make arrangements for an inspection and/or warranty service.

Canadian Warrantor:

FPI Fireplace Products International Ltd.
6988 Venture St.
Delta, British
Columbia Canada,
V4G 1H4

US Warrantor:

Fireplace Products U.S., Inc.
PO Box 2189 PMB 125
Blaine, WA
United States, 98231

Or contact the Regency Customer Care Centre at 1-800-442-7432 (phone) /604-946-4349 (fax) /customerservice@regency-fire.com (e-mail)

Product Registration and Customer Support:

Thank you for choosing a Regency Fireplace. Regency strives to be a world leader in the design, manufacture, and marketing of hearth products. To provide the best support for your product, we request that you complete a product registration form at <http://www.regency-fire.com/Customer-Care/Warranty-Registration.aspx> within **ninety (90)** days of purchase.

Warranty Registration Card



Product Registration and Customer Support:

Thank you for choosing a Regency Fireplace. Regency strives to be a world leader in the design, manufacture, and marketing of hearth products. To provide the best support for your product, we request that you complete a product registration form found on our Web Site under Customer Care within ninety (90) days of purchase.

For purchases made in **CANADA or the UNITED STATES:**

<http://www.regency-fire.com/Customer-Care/Warranty-Registration.aspx>

For purchases made in AUSTRALIA:

<http://www.regency-fire.com.au/Customer-Care/Warranty-Registration.aspx>

You may also complete the warranty registration form below to register your Regency Fireplace Product and mail and/or fax it back to us, and we will register the warranty for you. It is important you provide us with all the information below in order for us to serve you better.

Warranty Registration Form (or Register online immediately at the above Web Site):

Warranty Details	
Serial Number (required):	
Purchase Date (required) (mm/dd/yyyy):	
Product Details	
Product Model (required):	
Dealer Details	
Dealer Name (required):	
Dealer Address:	
Dealer Phone #:	
Installer:	
Date Installed (mm/dd/yyyy):	
Your Contact Details (required)	
Name:	
Address:	
Phone:	
Email:	

For purchases made in CANADA:

FPI Fireplace Products International Ltd.

6988 Venture St.
Delta, British Columbia
Canada, V4G 1H4

Phone: 604-946-5155
Fax: 1-866-393-2806

For purchases made in the UNITED STATES:

Fireplace Products US, Inc.

PO Box 2189 PMB 125
Blaine, WA
United States, 98231

Phone: 604-946-5155
Fax: 1-866-393-2806

For purchases made in AUSTRALIA:

Fireplace Products Australia Pty Ltd

99 Colemans Road
Dandenong South, Vic.
Australia, 3175

Phone: +61 3 9799 7277
Fax: +61 3 9799 7822

For fireplace care and tips and answers to most common questions please visit our Customer Care section on our Web Site. Please feel free to contact your selling dealer if you have any questions about your Regency product.

CATALYTIC COMBUSTOR PARTS ONLY WARRANTY COVERAGE

IMPORTANT WARRANTY INFORMATION FOR CATALYTIC COMBUSTOR

Effective March 1, 2019

Any and all claims for catalytic combustor must be filed **by the consumer** directly with their authorized Regency Dealer. FPI/Regency does not handle these claims directly with consumers.

Please follow the instructions below for your catalytic combustor under warranty. To learn more about the care and maintenance or the catalytic combustor, please visit our website: www.firecatcombustors.com.

Any warranty coverage before this date will be covered by the original warranty when the appliance was purchased.

- (1) **10-year** coverage from Regency – not the supplier of the catalytic combustor.
- (2) All claims must be made through the dealer where the appliance had been purchased.
- (3) One no-charge replacement at any time within the **ten (10) year** period.
- (4) Second replacement at 50% off retail* within the original **ten (10) years**.
- (5) Subsequent replacements or if **ten (10)-year** coverage has expired at full retail* price.
- (6) The catalytic combustor must not have been mechanically abused, nor must the wrong fuels have been used in the appliance.
- (7) All claims must be accompanied by clear photos of the catalytic combustor showing all damage and also showing existing internal venting from the stove.

The consumer will be responsible for removal of the catalyst and any servicing required as there is no labour allowance. This warranty is REGENCY[®] exclusive warranty and REGENCY[®] disclaims any other express or implied warranty for the catalytic combustor, including any warranty or merchantability of fitness for a particular use.

THE CATALYTIC COMBUSTOR WARRANTY APPLIES TO PARTS ONLY, THERE IS NO LABOR WARRANTY ASSOCIATED WITH THE CATALYTIC COMBUSTOR.

All warranty claims must be sent to: Regency Fireplace Products

By Authorized Regency Dealer

* Prices subject to change.

Regency reserves the right to reject any claim if it is determined the damage is a result of misuse, abuse or improper cleaning/ handling.

Installer: Please complete the following information

Dealer Name & Address: _____

Installer: _____

Phone #: _____

Date Installed: _____

Serial #: _____