



www.regency-fire.com

## P48 Gas Fireplace

Owners &  
Installation Manual



MODELS: P48-NG Natural Gas P48-LP Propane

### WARNING:

If the information in these instructions are not followed exactly, a fire or explosion may result causing property damage, personal injury or loss of life.

### FOR YOUR SAFETY

Do not store or use gasoline or other flammable vapors and liquids in the vicinity of this or any other appliance.

Installation and service must be performed by a qualified installer, service agency or the gas supplier.

### FOR YOUR SAFETY

What to do if you smell gas:

- Do not try to light any appliance
- Do not touch any electrical switch: do not use any phone in your building.
- Immediately call your gas supplier from a neighbour's phone. Follow the gas supplier's instructions.
- If you cannot reach your gas supplier, call the fire department.

Tested by:



*Installer:* Please complete the details on the back cover and leave this manual with the homeowner.  
*Homeowner:* Please keep these instructions for future reference.

---

**To the New Owner:**

**Congratulations!**

You are the owner of a state-of-the-art Gas Fireplace by REGENCY. The P48 has been designed to provide you with all the warmth and charm of a wood fireplace at the flick of a switch. The model P48 has been approved by Warnock Hersey for both safety and efficiency. As it also bears our own mark, it promises to provide you with economy, comfort and security for many trouble free years to follow. Please take a moment now to acquaint yourself with these instructions and the many features of your Regency Fireplace.

**MANUFACTURED MOBILE HOME REQUIREMENTS  
INFORMATION FOR MOBILE/MANUFACTURED HOMES AFTER FIRST SALE**

This Regency product has been tested and listed by Warnock Hersey as a Direct Vent Wall Furnace to the following standards: VENTED GAS FIREPLACE HEATERS ANSI Z21.88b-2003/CSA 2.33b-2003 and GAS-FIRED APPLIANCES FOR USE AT HIGH ALTITUDES CAN/CGA 2.17-M91.

This Direct Vent System Appliance must be installed in accordance with the manufacturer's installation instructions and the Manufactured Home Construction and Safety Standard, Title 24 CFR, Part 3280, or the current Standard of Fire Safety Criteria for Manufactured Home Installations, Sites, and Communities ANSI/NFPA 501A, and with CAN/CSA Z240-MH Mobile Home Standard in Canada.

This appliance installation must comply with the manufacturer's installation instructions and local codes, if any. In the absence of local codes follow the current National Fuel Gas Code, ANSI Z223.1 and the current National Electrical Code ANSI/NFPA 70 in the U.S.A., and the current CAN/CGA B149 Gas Installation Code and the current Canadian Electrical Code CSA C22.1 in Canada.

This appliance comes equipped with a dedicated #8 Ground Lug for attachment of the ground wire to the steel chassis as applicable to local codes.

The appliance, when installed, must be electrically grounded in accordance with local codes or, in the absence of local codes, with the National Electrical Code, ANSI/NFPA 70, or the Canadian Electrical Code, CSA C22.1.

This appliance may only be installed in an aftermarket permanently located, manufactured (U.S.A only) or mobile home, where not prohibited by local codes.

This appliance can only be used with the type of gas indicated on the rating plate. This appliance is not convertible for use with other gases, unless a certified kit is used.

Ensure that structural members are not cut or weakened during installation.



# TABLE OF CONTENTS

	Page		Page
<b>Safety Label</b>			
Safety Label .....	4	Flush Trim .....	28
<b>Installation</b>		Bay Door .....	29
Important Message .....	5	Bay Trim .....	29
Before You Start .....	5	Bay Louvers .....	29
General Safety Information .....	5	Finishing Trim .....	30
Installation Checklist .....	5	Double Screen Door .....	30
Manufactured Mobile Home		Remote Control (optional) .....	31
Additional Requirements .....	6	Remote Wall Switch (optional) .....	31
Unit Specifications .....	6	Wall Thermostat (optional) .....	31
Locating Your Stove .....	6	Wiring Diagram .....	32
Optional Duct System Kit .....	6	Optional Fan .....	33
Optional Heat Release Kit .....	6	Conversion to Propane .....	34
Hearth .....	6	<b>Operating Instructions</b>	
Clearances .....	7	Operating Instructions .....	35
Mantels .....	8	Lighting Procedure .....	35
Mantel Leg Clearances .....	8	Shutdown Procedure .....	35
Framing and Finishing .....	9	First Fire .....	35
Top Assembly & Nailing Strips .....	10	Aeration Adjustment .....	35
Venting Introduction .....	10	Normal Operating Sounds of	
Exterior Vent Termination Locations .....	11	Gas Appliances .....	36
Venting Arrangements		Lighting Plate Instructions .....	36
Horizontal Terminations .....	12	<b>Maintenance</b>	
Simpson Dura-Vent Components List .....	13	Maintenance Instructions .....	37
Horizontal Terminations .....	14	General Vent Maintenance .....	37
Horizontal Venting .....	15	Log Replacement .....	37
Vertical Venting .....	16	Thermopile/Thermocouple .....	37
Vertical Terminations .....	18	Glass Gasket .....	37
Venting - Dura-Vent Horizontal Installations .....	20	Gold-Plated Louvers .....	37
Venting - Dura-Vent Vertical Termination .....	21	Door Glass .....	38
Direct Vent System (Flex) .....	22	Bay Glass Replacement .....	38
System Data .....	23	Installing Valve .....	38
High Elevation .....	23	Removing Valve .....	39
Gas Line Installation .....	23	<b>Parts List</b>	
Pilot Adjustment .....	23	Replacement/Spare Parts List .....	40
Gas Pipe Pressure Test .....	23	<b>Warranty</b>	
SIT Valve Description .....	23	Warranty .....	47
Brick Panel Installation .....	24		
Log Set Installation .....	25		
Standard Flush Door .....	28		
Flush Louvers .....	28		

# SAFETY LABEL

This is a copy of the label that accompanies each P48-NG and P48-LP Zero Clearance Direct Vent Gas Fireplace. We have printed a copy of the contents here for your review. The safety label is located on the front inside base of the unit, visible when the bottom louver is open.

NOTE: Regency units are constantly being improved. Check the label on the unit and if there is a difference, the label on the unit is the correct one.

## Copy of Safety Decal for P48-NG and P48-LP


For the State of Massachusetts, installation and repair must be done by a plumber or gasfitter licensed in the Commonwealth of Massachusetts.

For the State of Massachusetts, flexible connectors shall not exceed 36 inches in length.

For the State of Massachusetts, the appliances individual manual shut-off must be a t-handle type valve.

**Listed:** VENTED GAS FIREPLACE HEATER  
**Certified for/Certifiée pour:** CANADA and U.S.A.  
**Tested to:** Gas-Fired Appliances For Use At High Altitudes CAN/CGA-2.17-M91,  
 Vented Gas Fireplace Heaters ANSI Z21.88b-2003/CSA 2.33b-2003  
**Report No.** 476-3059100 (June 2004)

Serial No./No de serie  
**240**



**DO NOT REMOVE THIS LABEL / NE PAS ENLEVER CETTE ÉTIQUETTE**

**MAY BE INSTALLED IN MANUFACTURED (MOBILE) HOMES AFTER FIRST SALE.**

**NATURAL GAS: Model P48-NG**

Minimum supply pressure	5"	WC(1.25 kPa)
Manifold pressure high	3.8"	WC(0.95 kPa)
Manifold pressure low	1.1"	WC(0.27 kPa)
Orifice size	# 27	DMS
Minimum input	29,000	Btu/h (8.49 kW)
Maximum input	51,000	Btu/h (14.94 kW)
Altitude	0-4500	ft/pi (0-1372 m)

**PROANE: Model P48-LP**

Minimum supply pressure	12"	WC(3.00 kPa)
Manifold pressure high	11"	WC(2.74 kPa)
Manifold pressure low	2.9"	WC(0.72 kPa)
Orifice size	# 47	DMS
Minimum input	26,000	Btu/h (7.61 kW)
Maximum input	48,000	Btu/h (14.06 kW)
Altitude	0-4500	ft/pi (0-1372 m)

**APPAREIL FONCTIONNANT AU NATURAL GAZ  
 CONCU POUR ETRE POELE: Modèle P48-NG**

Pression d'alimentation minimum  
 Pression à la tubulure d'échappement élevée  
 Pression à la tubulure d'échappement basse  
 Grandeur de l'injecteur  
 Débit Calorifique minimum selon l'altitude  
 Débit Calorifique maximum selon l'altitude

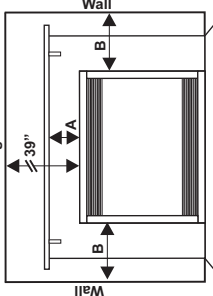
**APPAREIL FONCTIONNANT AU GAZ PROPANE  
 CONCU POUR ETRE POELE: Modèle P48-LP**

Pression d'alimentation minimum  
 Pression à la tubulure d'échappement élevée  
 Pression à la tubulure d'échappement basse  
 Grandeur de l'injecteur  
 Débit Calorifique minimum selon l'altitude  
 Débit Calorifique maximum selon l'altitude

**0" Clearance to combustibles from:**  
 Top, sides, bottom and rear of unit

**Mantel Clearances from Top:**  
 (A) Min. 8" (203mm)

**Side Wall Clearance from Side Facing**  
 B) 6"



**Alcove Clearances:**  
 Max. Depth 36" (914mm)  
 Min. Width 60" (1524mm)  
 Min. Height 80" (2032mm)

**Minimum Vent Clearances:**  
 Horizontal Top 2-1/2" (64mm)  
 Horizontal Side 1-1/2" (38mm)  
 Horizontal Bottom 1-1/2" (38mm)

**DOOR SEAL: Please check that the door is properly sealed**

(See Instruction Manual for Detailed Instructions.)

**DO NOT REMOVE THIS LABEL / NE PAS ENLEVER CETTE ÉTIQUETTE**

**MAY BE INSTALLED IN MANUFACTURED (MOBILE) HOMES AFTER FIRST SALE.**

**VENTING:** This appliance must be installed in accordance with local codes, if any; if none, follow the National Fuel Gas Code, ANSI Z223.1/NFPA 54, or Natural Gas and Propane Installations Codes, CSA B149.1. For Manufactured Home Installation: This Direct Vent System Appliance must be installed in accordance with the manufacturer's installation instructions and Manufactured Home Construction and Safety Standard Title 24 CFR, Part 3280, or the current Standard for Fire Safety Criteria for Manufactured Home Installations, Sites, and Communities ANSI/NFPA 501A, and with CAN/CSA Z240 MH Mobile Home Standard in Canada. This appliance is only for use with the type of gas indicated on the rating plate and may be installed in an aftermarket, permanently located, manufactured (mobile) home where not prohibited by local codes. See owner's manual for details. This appliance is not convertible for use with other gases, unless a certified kit is used.

**Not for use with solid fuel. This vented gas fireplace is not for use with filters.**

Made in Canada/ Fabrique au Canada

**FPI Fireplace Products International Ltd. Delta, BC, Canada**

918-1786

## IMPORTANT: SAVE THESE INSTRUCTIONS

The P48-NG/P48-LP Direct Vent Fireplace must be installed in accordance with these instructions. Carefully read all the instructions in this manual first. Consult the "authority having jurisdiction" to determine the need for a permit prior to starting the installation. It is the responsibility of the installer to ensure this fireplace is installed in compliance with manufacturers instructions and all applicable codes.

### BEFORE YOU START

Safe installation and operation of this appliance requires common sense, however, we are required by the Canadian Safety Standards and ANSI Standards to make you aware of the following:

**INSTALLATION AND REPAIR SHOULD BE DONE BY AN AUTHORIZED SERVICE PERSON. THE APPLIANCE SHOULD BE INSPECTED BEFORE USE AND AT LEAST ANNUALLY BY A PROFESSIONAL SERVICE PERSON. MORE FREQUENT CLEANING MAY BE REQUIRED DUE TO EXCESSIVE LINT FROM CARPETING, BEDDING MATERIAL, ETC. IT IS IMPERATIVE THAT CONTROL COMPARTMENTS, BURNERS AND CIRCULATING AIR PASSAGEWAYS OF THE APPLIANCE BE KEPT CLEAN.**

**DUE TO HIGH TEMPERATURES, THE APPLIANCE SHOULD BE LOCATED OUT OF TRAFFIC AND AWAY FROM FURNITURE AND DRAPERIES.**

**WARNING: FAILURE TO INSTALL THIS APPLIANCE CORRECTLY WILL VOID YOUR WARRANTY AND MAY CAUSE A SERIOUS HOUSE FIRE.**

**CHILDREN AND ADULTS SHOULD BE ALERTED TO THE HAZARDS OF HIGH SURFACE TEMPERATURES, ESPECIALLY THE FIREPLACE GLASS, AND SHOULD STAY AWAY TO AVOID BURNS OR CLOTHING IGNITION.**

**YOUNG CHILDREN SHOULD BE CAREFULLY SUPERVISED WHEN THEY ARE IN THE SAME ROOM AS THE APPLIANCE.**

**CLOTHING OR OTHER FLAMMABLE MATERIAL SHOULD NOT BE PLACED ON OR NEAR THE APPLIANCE.**

### GENERAL SAFETY INFORMATION

- 1) The appliance installation must conform with local codes or, in the absence of local codes, with the current Canadian or National Gas Codes, CAN1-B149 or ANSI Z223.1 Installation Codes.
- 2) The appliance when installed, must be electrically grounded in accordance with local codes, or in the absence of local codes with the current National Electrical Code, ANSI/NFPA 70 or CSA C22.1 Canadian Electrical Code.
- 3) See general construction and assembly instructions. The appliance and vent should be enclosed.
- 4) This appliance must be connected to the specified vent and termination cap to the outside of the building envelope. Never vent to another room or inside a building. Make sure that the vent is fitted as per Venting instructions.
- 5) Inspect the venting system annually for blockage and any signs of deterioration.
- 6) Venting terminals shall not be recessed into a wall or siding.
- 7) Any safety glass removed for servicing must be replaced prior to operating the appliance.
- 8) To prevent injury, do not allow anyone who is unfamiliar with the operation to use the fireplace.
- 9) Wear gloves and safety glasses for protection while doing required maintenance.
- 10) Be aware of electrical wiring locations in walls and ceilings when cutting holes for termination.
- 11) Under no circumstances should this appliance be modified. Parts that have to be removed for servicing should be replaced prior to operating this appliance.
- 12) Installation and any repairs to this appliance should be done by an authorized service person. A professional service person should be called to inspect this appliance

annually. Make it a practice to have all of your gas appliances checked annually.

- 13) Do not slam shut or strike the glass door.
- 14) Under no circumstances should any solid fuels (wood, paper, cardboard, coal, etc.) be used in this appliance.
- 15) The appliance area must be kept clear and free of combustible materials, (gases and other flammable vapours and liquids).

Emissions from burning wood or gas could contain chemicals known to the State of California to cause cancer, birth defects or other reproductive harm.

### INSTALLATION CHECKLIST

- 1) Locate appliance
  - a) Room location, page 6
  - b) Clearances to Combustibles, page 7
  - c) Mantel Clearances, page 8
  - d) Framing & Finishing Requirements, page 9
  - e) Venting Requirements, pages 10-18.
- 2) Assemble Top Facing Support and Side Nailing Strips, page 10.  
**NOTE: must be done before installing unit into fireplace.**
- 3) Install venting, pages 20-21.
- 4) Make gas and electrical connections. Test the pilot. Must be as per diagram. Page 23.
- 5) Test Gas Pressure. Page 23.
- 6) Install brick panels (optional), page 24.
- 7) Install Flush Door Front (Standard) and optional Flush Gold Trim, page 28.
- 8) Install Optional Bay Front and optional Bay Gold Trim, page 29.
- 9) Install Louvers (Flush or Bay), pages 28-29.
- 10) Installation of Wall Switch, Remote Control, or Wall Thermostat, page 31.
- 11) Final check.

Before leaving this unit with the customer, the installer must ensure that the appliance is firing correctly and **operation fully explained to customer.**

# INSTALLATION

## This includes:

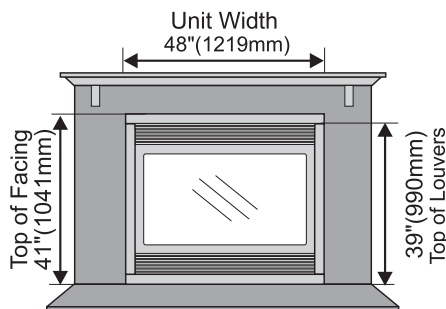
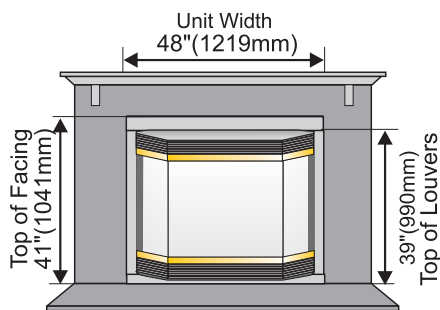
- 1) Locking the appliance to ensure the correct firing rate (rate noted on label 51,000 (NG) Btu/h, 48,000 (LP) Btu/h) after burning appliance for 15 minutes.
- 2) If required, adjusting the primary air to ensure that the flame does not carbon. First allow the unit to burn for 15-20 min. to stabilize.

**CAUTION: Any alteration to the product that causes sooting or carboning that results in damage is not the responsibility of the manufacturer.**

## MANUFACTURED MOBILE HOME ADDITIONAL REQUIREMENTS

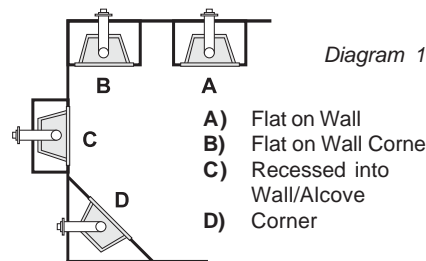
- 1) Ensure that structural members are not cut or weakened during installation.
- 2) Ensure proper grounding using the #8 ground lug provided. See page 32.

## UNIT SPECIFICATIONS



## LOCATING YOUR GAS STOVE

- 1) When selecting a location for your stove, ensure that the clearances outlined on this page are met.
- 2) Provide adequate clearances for servicing.
- 3) The appliance must be installed on a flat, solid, continuous surface (e.g. wood, metal, concrete). This may be the floor, or raised up on a platform to enhance its visual impact. If the appliance is going to be installed on carpeting, combustible linoleum tile or other combustible material other than wood flooring, the appliance must be installed on a metal or wood panel extending the full width and depth of the appliance.
- 4) The P48 Direct Vent Gas Fireplace can be installed in a recessed position or framed out into the room as in A, B, C, D. See Diagram 1.



- 5) This appliance is Listed for bedroom installations when used with a Listed Millivolt Thermostat. Some areas may have further requirements, check local codes before installation.
- 6) The P48 Direct Vent Gas Fireplace is approved for alcove installations, which meet the clearances listed on this page.
- 7) We recommend that you plan your installation on paper using exact measurements for clearances and floor protection before actually installing this appliance. Have an authorized inspector, dealer, or installer review your plans before installation.

**Note: For vent terminations see page 11.**



## OPTIONAL DUCT SYSTEM KIT #946-556

The **HeatWave** Air Duct Kit increases the effectiveness of your fireplace by dispersing warm air from the fireplace to remote locations in the same room or other rooms in your home.

Up to two kits may be installed on the fireplace. **Please Note:** Only 1 HeatWave kit may be operated at one time. This includes the internal blower option as well.

## OPTIONAL HEAT RELEASE KIT #946-570

The Heat Release Kit expels warm air from the fireplace to the outside of the building, allowing the fireplace to be operated with less heat entering the room. The kit may be used on either the left or right side.

## HEARTH

A hearth is not mandatory, but is recommended for aesthetics and for added safety.

## CLEARANCES

The clearances listed below are Minimum distances unless otherwise stated:

A major cause of chimney related fires is failure to maintain required clearances (air space) to combustible materials. It is of the greatest importance that this fireplace and vent system be installed only in accordance with these instructions.

### Clearance to Combustibles from:

Back	0"	(0mm)
Side	0"	(0mm)
Floor	0"	(0mm)

**Caution Requirements**  
The top, back and sides of the fireplace are defined by standoffs. The metal ends of the standoff may **NOT** be recessed into combustible construction.

### Minimum Clearance from Top of Front Facing:

Mantel	min. 8"	(203mm)
Ceiling	39"	(990mm) from top of front facing above louvers.

### Side Wall:

6" (152mm)

### Horizontal Vent Clearances:

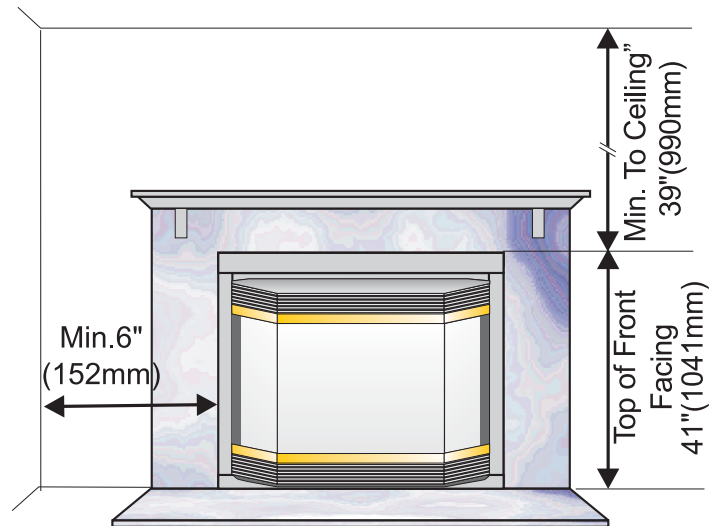
Top	2-1/2"	(64mm)
Side	1-1/2"	(38mm)
Bottom	1-1/2"	(38mm)

### Vertical Vent Clearances:

1-1/4" (32mm)

### Alcove Clearances:

Max. Depth	36"	(914mm)
Min. Width	60"	(1524mm)
Min. Height	80"	(2032mm)



**WARNING**

Fire hazard is an extreme risk if these clearances (air space) to combustible materials are not adhered to. It is of greatest importance that this fireplace and vent system be installed only in accordance with these instructions.

The **HeatWave** Duct Kit and the Heat Release Kit have different clearance and framing requirements, check the **HeatWave** and Heat Release manual for details.

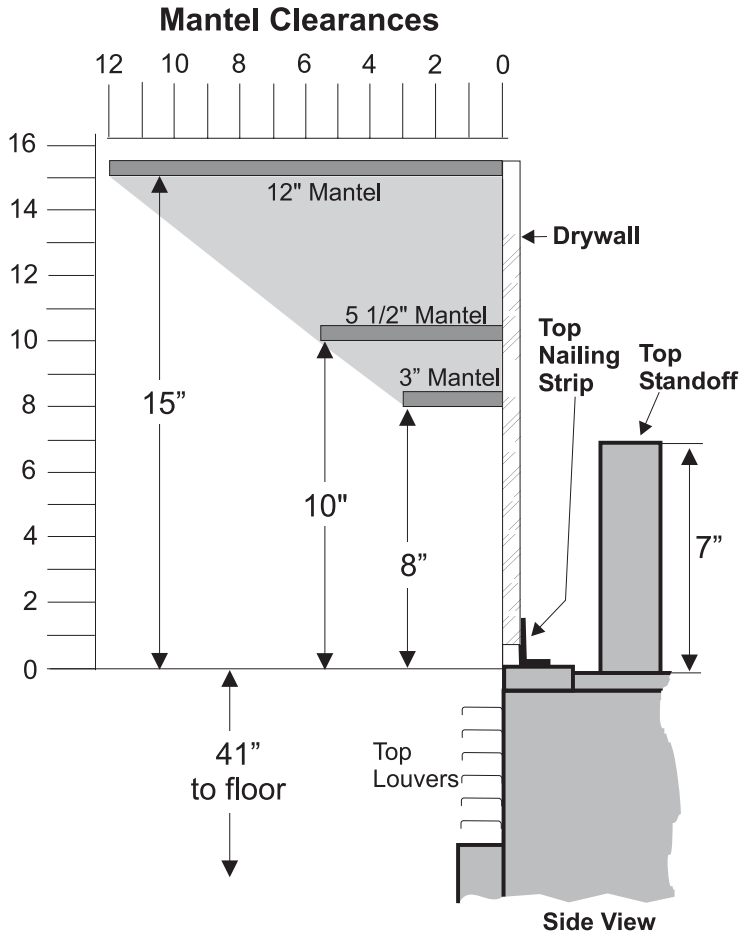
**Heat Release Kit**

# INSTALLATION

## MANTELS

Because of the extreme heat this fireplace emits, the mantel clearances are critical. Combustible mantel clearances from louver are shown in the diagram below.

**Note:** A non-combustible mantel may be installed at a lower height if the framing is made of metal studs covered with a non-combustible board.



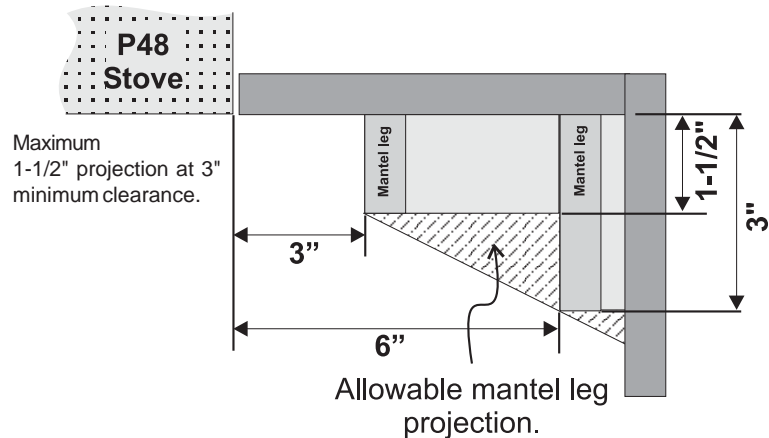
This drawing is to scale at 1:6 (one inch = 6 inches)

Mantel can be installed anywhere in shaded area using the above scale for units with the Flush Front and with the optional Bay Front.

**Note:** Ensure the paint that is used on the mantel and the facing is "heat resistant" or the paint may discolour.

## MANTEL LEG CLEARANCES

Combustible mantel leg clearances as per diagram:





## FRAMING & FINISHING

- 1) Determine the total thickness of facing material (eg. drywall plus ceramic tiles) to allow the finished surface to be flush with the front of the unit. Total facing thickness can vary from 1/2" (13mm) to 1-1/4" (32mm) thick.
- 2) Frame in the enclosure for the unit with framing material. The framed opening for the assembled kit is 47-1/2" high x 48-1/2" wide x 26-1/4" deep (1207mm H x 1232mm W x 667mm D). See Diagram 1.

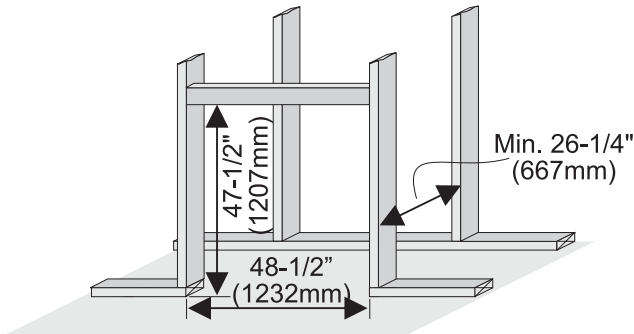
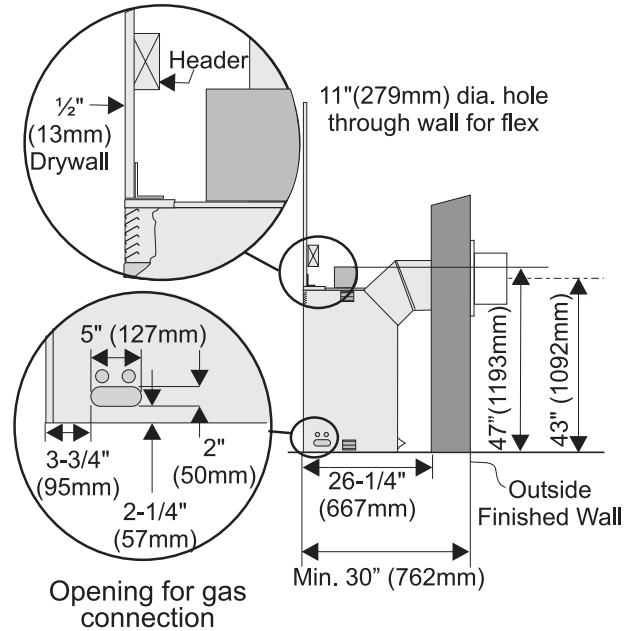
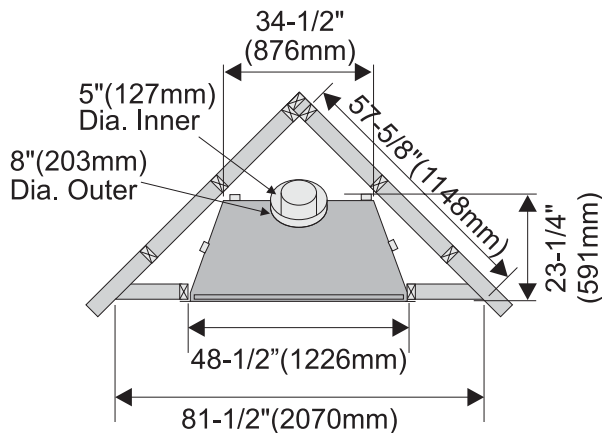


Diagram 1



**Note:** 43" (1092mm) is the minimum height for flex termination and Simpson Dura-Vent terminations.

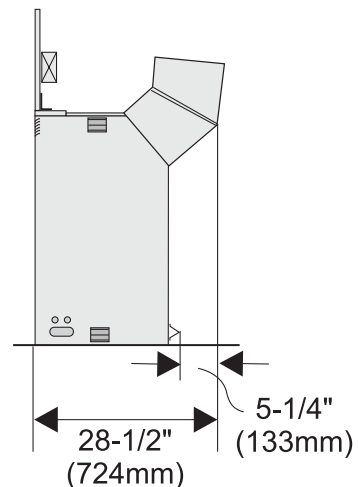
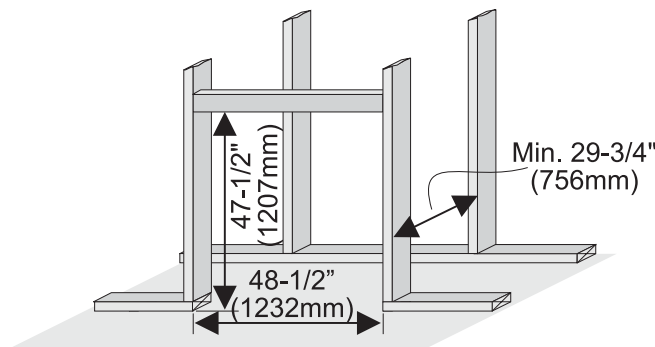
- 3) For exterior walls, insulate the enclosure to the same degree as the rest of the house, apply vapour barrier and drywall, as per local installation codes. (**Do not insulate the fireplace itself.**)
- 4) The unit does not have to be completely enclosed in a chase. The clearance on top of the unit from the top standoffs is 0" so combustible building materials can be laid directly on top of the standoffs. You must maintain clearances from the vent to combustible materials: See page 7. Combustible materials can be laid against the side and back standoffs and the stove base.

**HeatWave**

The **HeatWave** Duct Kit has different clearance and framing requirements, check the **HeatWave** manual for details.

## IMPORTANT

When installing the unit with any vertical venting off the top of the unit as shown, the minimum framing depth changes accordingly.



# INSTALLATION

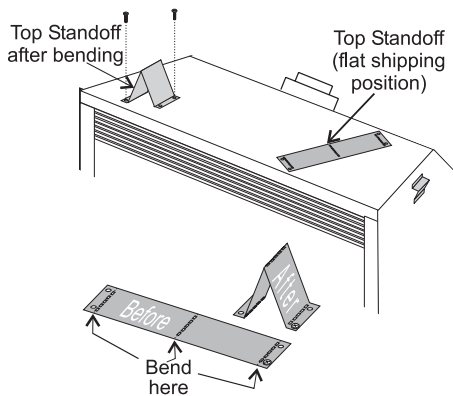
## UNIT ASSEMBLY PRIOR TO INSTALLATION

The Top Facing Support, the Side Nailing Strips and the 2 Top Standoffs must be correctly positioned and attached to the top before unit is slipped into position.

### Top Standoff Assembly

The top standoffs are shipped in a flat position and must be folded into shape and attached.

- 1) Remove the standoffs from the fireplace top.
- 2) Take each standoff and bend into the correct shape. Bend up at the bend lines until the screw holes in the standoff and the pre-punched screw holes on the fireplace top line up.
- 3) Attach the standoff securely to the top with 2 screws per standoff (on opposite corners).



### Top Facing Support and Side Nailing Strips

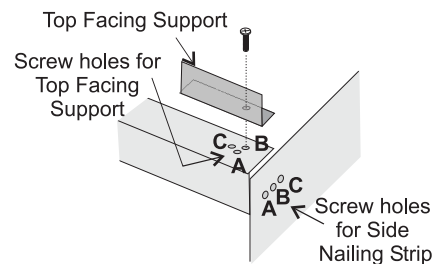
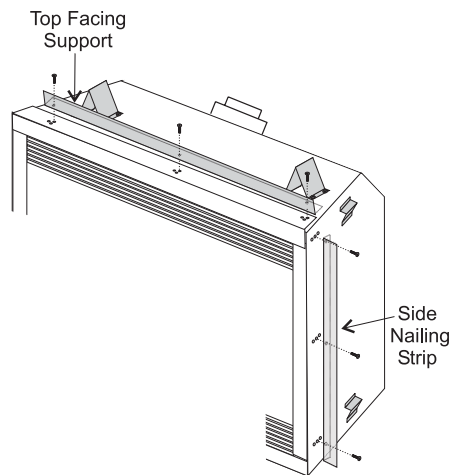
Determine the total thickness of facing material (e.g. drywall plus ceramic tiles) to allow the finished surface to be flush with the front of the unit. Total facing thickness can vary from 1/2" (13mm) to 1-1/4" (32mm) thick.

The Top Facing Support & Side Nailing Strips can be mounted in 3 different positions depending on the thickness of the facing material.

Screw Position	Facing Material Depth
A	1/2" / 13mm
B	7/8" / 22mm
C*	1-1/4" / 32mm

\* For "C" screw position the top facing support is reversed.

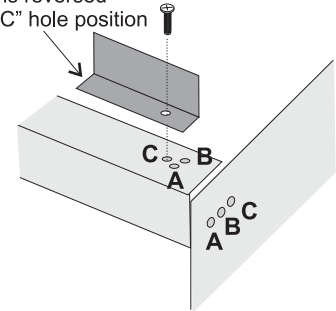
- 1) Mount Top Facing Support using the 3 supplied screws into the three pre-punched screw holes on the top front of the unit. Use hole positions A, B, or C depending on your facing depth.



### "C" Screw Position:

For a facing material depth of 1-1/4" (32mm), the top facing support must be reversed.

Top Facing Support is reversed for "C" hole position



- 2) Use the same screw hole position for the Side Nailing Strips as was used for the Top Facing Support. Attach each side nailing strip using 3 screws.

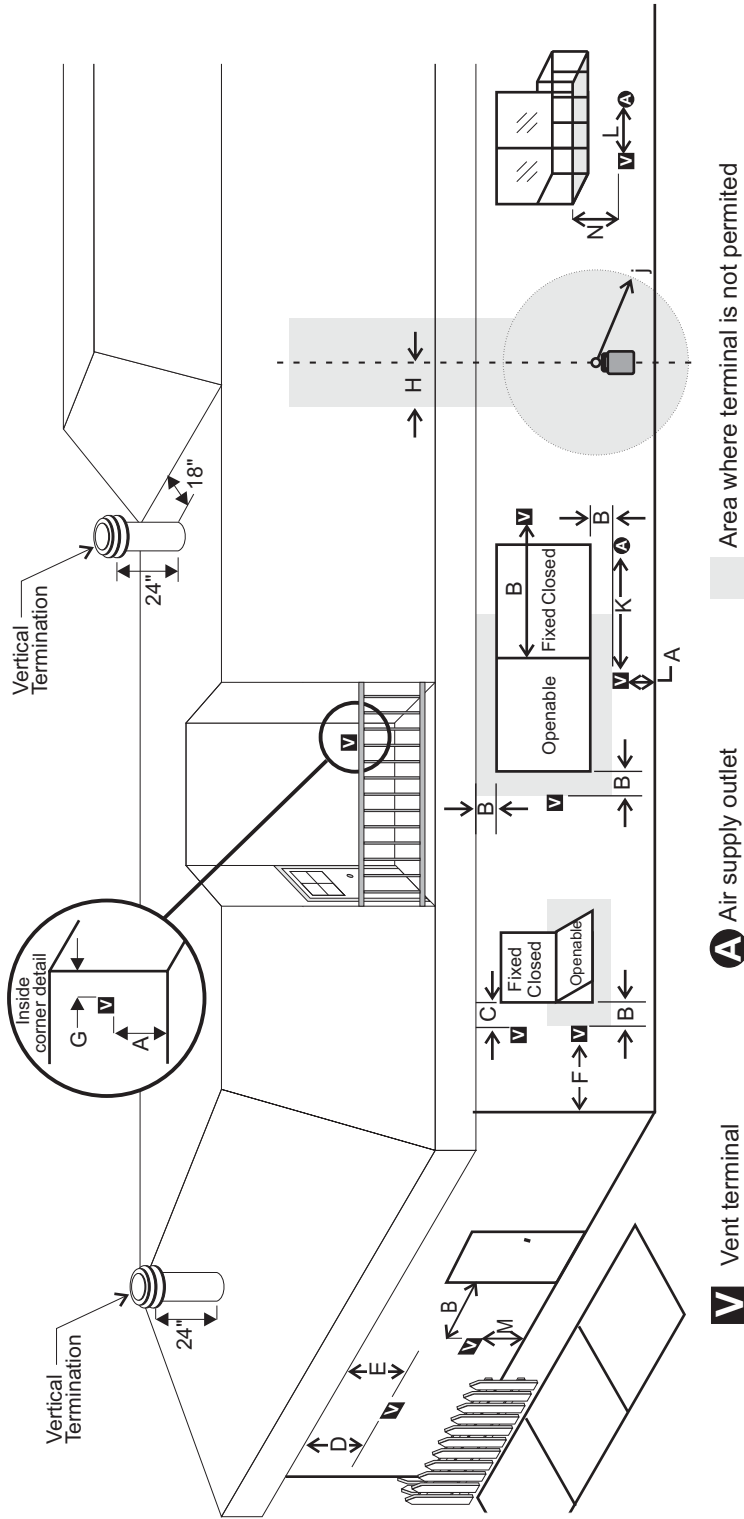
## VENTING INTRODUCTION

The P48 uses the "balanced flue" technology Co Axial system. The inner liner vents products of combustion to the outside while the outer liner draws outside combustion air into the combustion chamber thereby eliminating the need to use heated room air for combustion and losing warm room air up the chimney.

**Note: These flue pipes must not be connected to any other appliance.**

The gas appliance and vent system must be vented directly to the outside of the building, and never be attached to a chimney serving a separate solid fuel or gas burning appliance. Each direct vent gas appliance must use its own separate vent system. Common vent systems are prohibited.

## EXTERIOR VENT TERMINATION REQUIREMENTS



**V** Vent terminal

**A** Air supply outlet

Area where terminal is not permitted

- A= Clearance above grade, veranda, porch, deck, or balcony \*(min. 12"/30cm)
- B= Clearance to window or door that may be opened \*(12"/30cm)
- C= Clearance to permanently closed window \*(min. 12"/30cm)
- D= Vertical clearance to ventilated soffit located above the terminal within a horizontal distance of 24"/60cm (min. 23"/58cm) (32"/81cm with vinyl siding)
- E= Clearance to unventilated soffit (min. 23"/58cm) (32"/81cm with vinyl siding)
- F= Clearance to outside corner: (13"/33cm)
- G= Clearance to inside corner: (13"/33cm)
- H= Not to be installed above a meter/regulator assembly within (3'/90cm) horizontally from the centerline of the regulator.
- J= Clearance to service regulator vent outlet \*(min. 36"/90cm)
- K= Clearance to non-mechanical air supply inlet to building or the combustion air inlet to any other appliance \*(12"/30cm)
- L= Clearance to a mechanical air supply inlet \*(min. 72"/1.8m)
- M= Clearance above paved sidewalk or a paved driveway located on public property \*(min. 84"/2.1m)
- N= Clearance under veranda, porch, deck, or balcony \*(min. 23"/58cm)

**Note:**

- A vent shall not terminate directly above a sidewalk or paved driveway which is located between two single family dwellings and serves both dwellings.
- Only permitted if veranda, porch, deck, or balcony is fully open on a minimum of two sides beneath the floor.
- If the vent termination is accessible, a certified guard shall be installed.
- \* As specified in CGA B149 Installation Code. Note: Local codes or regulations may require different clearances.

# INSTALLATION

## VENTING

### Regency Direct Vent System (Flex) Horizontal Terminations Only

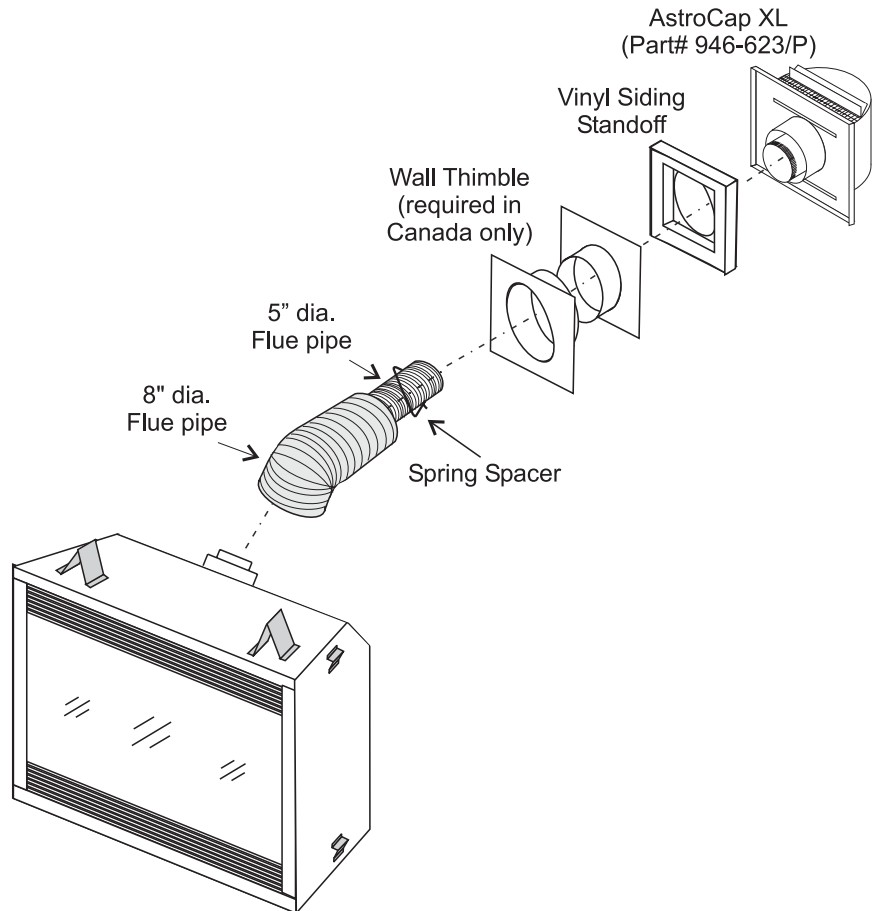
These venting systems, in combination with the P48 Direct Vent Gas Fireplace, have been tested and listed as a direct vent heater system by Warnock Hersey. The location of the termination cap must conform to the requirements in the Vent Terminal Locations diagram on page 11.

**Regency Direct Vent (Flex) System Termination Kit (Part# 946-615) includes all the parts needed to install the P48 with a maximum run of 4 feet.**

- 1) 8" dia. flexible liner (4 ft. length)
- 2) 5" dia. flexible liner (4 ft. length)
- 3) spring spacers (4)
- 4) thimble (2)
- 5) AstroCap XL termination cap (1)
- 6) screws (12)
- 7) tube of Mill Pac (1)
- 8) plated screws (8)
- 9) screws #8 x 1-1/2" Drill Point, Stainless Steel (4)
- 10) vinyl siding standoff

**If longer runs are needed, the Regency Direct Vent system (Flex) Part# 946-616 includes all the parts needed to install the P48 with a maximum 10' run.**

- 1) 8" dia. flexible liner (10 ft. length)
- 2) 5" dia. flexible liner (10 ft. length)
- 3) spring spacers (7)
- 4) thimble (2)
- 5) AstroCap XL termination cap (1)
- 6) screws (12)
- 7) tube of Mill Pac (1)
- 8) plated screws (8)
- 9) screws #8 x 1-1/2" Drill Point, Stainless Steel (4)
- 10) vinyl siding standoff



#### Notes:

- 1) Liner sections should be continuous without any joints or seams.
- 2) Only Flex pipe purchased from Regency may be used for Flex installations.
- 3) If you are installing the P48 into a Regency Mantel Kit, use the minimum horizontal vent height (centre-line of 43"). Remember to include the mantel base in your calculations and to maintain the 2-1/2" clearance to the underside of the mantel top.

## SIMPSON DURA-VENT VENTING *Horizontal or Vertical Terminations*

The Simpson Dura-Vent Direct Vent System offers a complete line of component parts for installation of both horizontal and vertical installations. Many items are offered in decorative black, as well as galvanized finish. We recommend using the galvanized finish for installation with the P48.

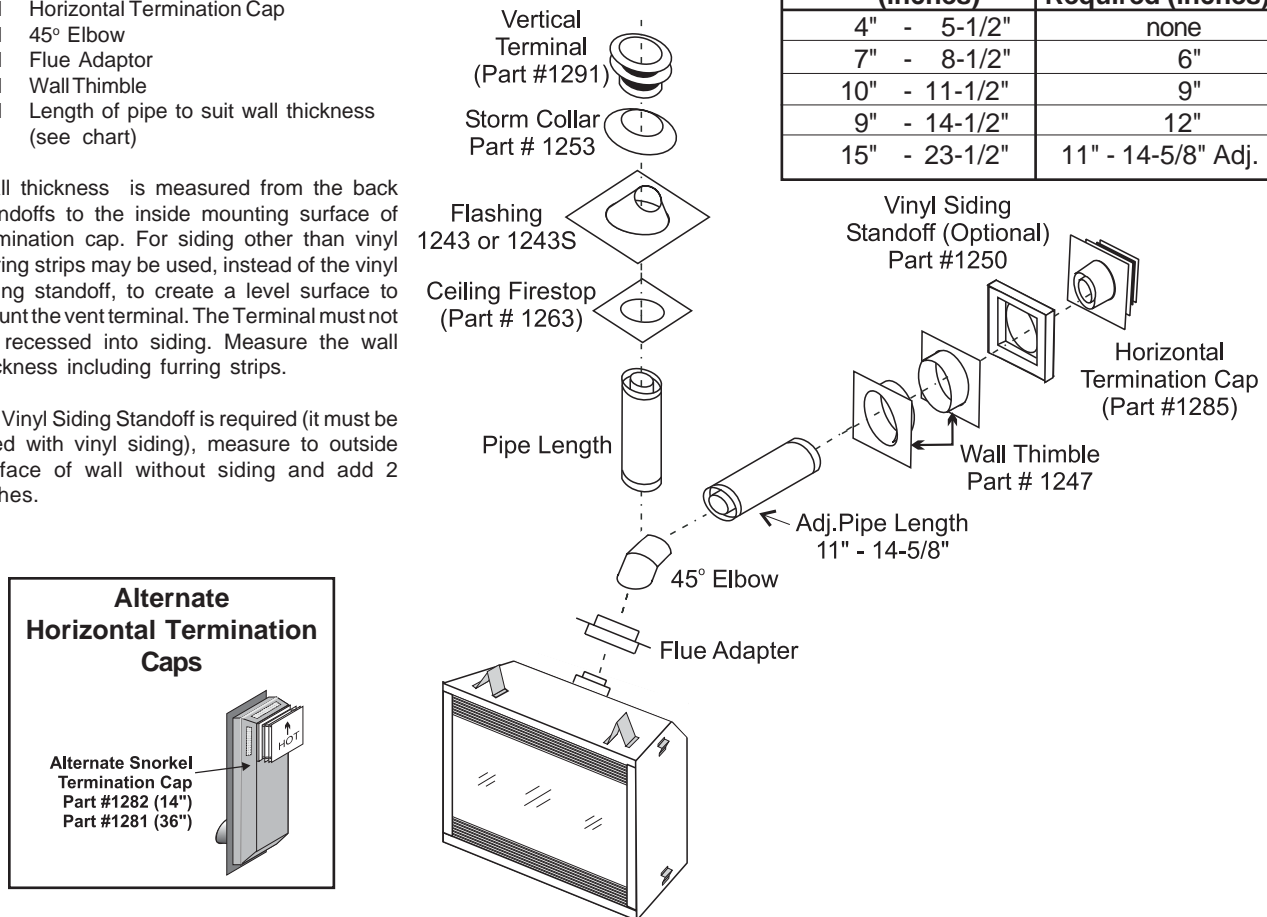
The minimum components required for a basic horizontal termination are:

- 1 Horizontal Termination Cap
- 1 45° Elbow
- 1 Flue Adaptor
- 1 Wall Thimble
- 1 Length of pipe to suit wall thickness (see chart)

Wall thickness is measured from the back standoffs to the inside mounting surface of termination cap. For siding other than vinyl furring strips may be used, instead of the vinyl siding standoff, to create a level surface to mount the vent terminal. The Terminal must not be recessed into siding. Measure the wall thickness including furring strips.

If a Vinyl Siding Standoff is required (it must be used with vinyl siding), measure to outside surface of wall without siding and add 2 inches.

Flat Wall Installation	
Wall Thickness (inches)	Vent Length Required (inches)
4" - 5-1/2"	none
7" - 8-1/2"	6"
10" - 11-1/2"	9"
9" - 14-1/2"	12"
15" - 23-1/2"	11" - 14-5/8" Adj. Pipe



## SIMPSON DURA-VENT VENTING COMPONENTS LIST

### Part # Description

- 1208B 6" Pipe Length-Black
- 1207B 9" Pipe Length-Black
- 1206 12" Pipe Length Galv.
- 1206B 12" Pipe Length-Black
- 1204 24" Pipe Length Galv.
- 1204B 24" Pipe Length-Black
- 1203 36" Pipe Length Galv.
- 1203B 36" Pipe Length-Black
- 1202 48" Pipe Length Galv.
- 1202B 48" Pipe Length-Black
- 1211B 11"-14 5/8" Adj./P/L-Black
- 1217B 17"- 24" Adj. Length Black

### Part # Description

- 1245 45° Elbow Galv.
- 1245B 45° Elbow-Black
- 1245G 45° Elbow-Swivel Galv.
- 1245BG 45° Elbow-Swivel-Black
- 1290 90° Elbow Galv.
- 1290B 90° Elbow-Black
- 1290G 90° Elbow-Swivel Galv.
- 1290BG 90° Elbow-Swivel-Black
- 1291 High Wind Term. Cap (Vertical Only)
- 1285 Horiz. Sq. High Wind Trm. Cap (Only)
- 1282 Snorkel-14" Rise Term. Cap

### Part # Description

- 1281 Snorkel-36" Rise Term. Cap
- 1240 Wall Thimble-Suprt/Box
- 1241 Cathdrl/Cing-Sprt/Box
- 3951 Brass Trim for Wall Thimble/Ceiling Support
- 1263 Firestop Spacer
- 1243 Flashing 0/12-6/12
- 1243S Flashing 7/12-12/12
- 1253 Storm Collar
- 1250 Vinyl Siding Standoff
- 1288 Wall Strap
- 1247 Wall Thimble

**Parts not supplied by Dura-Vent**  
370-994 Dura-Vent Flue Adaptor

# INSTALLATION

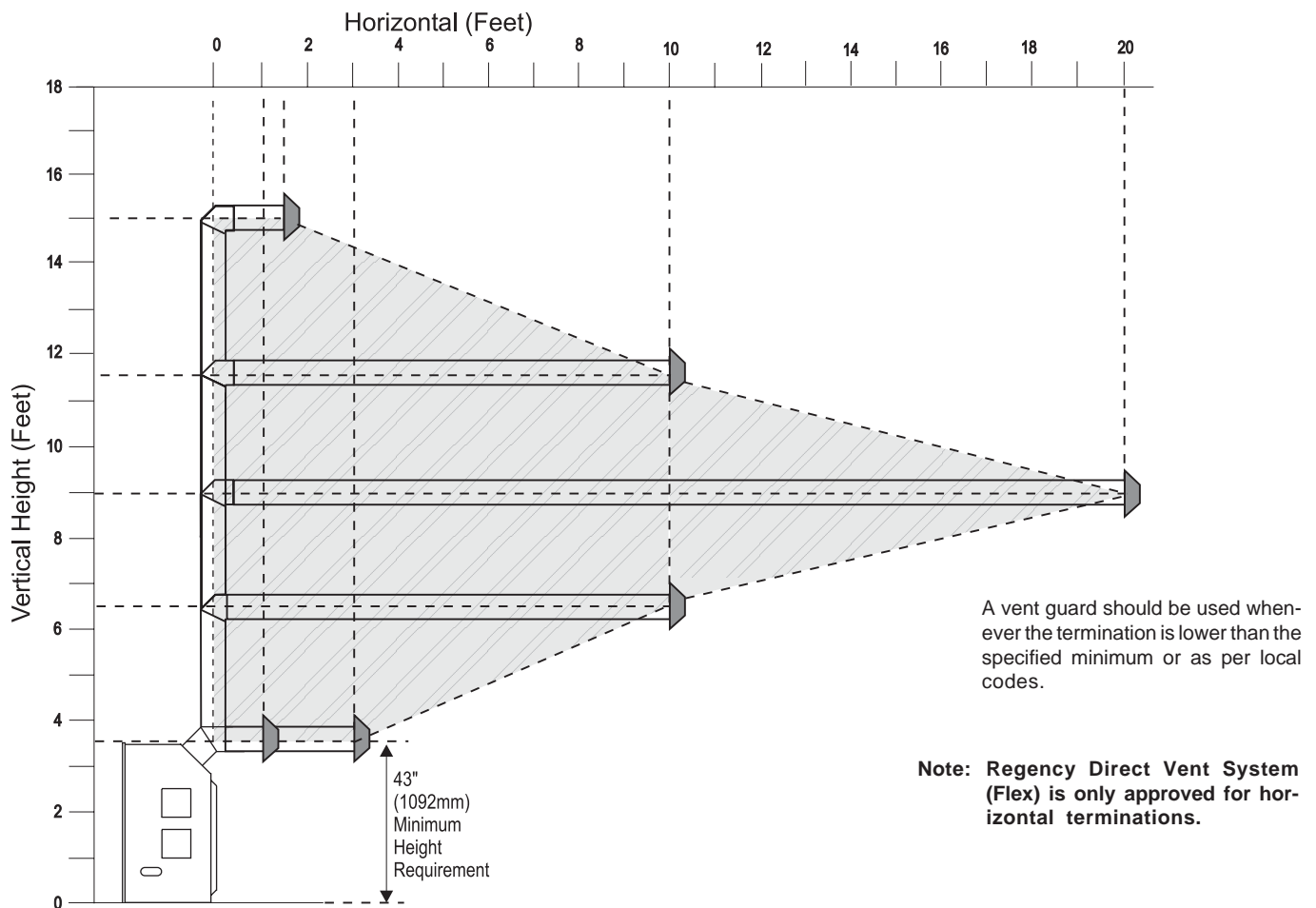
## VENTING ARRANGEMENTS - HORIZONTAL TERMINATIONS SIMPSON DURA-VENT DIRECT VENT GS SYSTEM and REGENCY DIRECT VENT SYSTEM (FLEX) (Propane & Natural Gas)

The diagram shows all allowable combinations of vertical runs with horizontal terminations, using one 45° and one 90° elbow (two 45° elbows equal one 90° elbow).

**Note:** Must use optional flue adapter (Part # 370-994) when using Simpson Dura-Vent pipe. (Refer to page 13.)

*Simpson Dura-Vent*  
5" inner diameter  
8" outer diameter

*Regency Flex Vent*  
5" inner diameter  
8" outer diameter



- Maintain clearances to combustibles as listed on pages 6 to 9.
- Horizontal vent must be supported every 3 feet.
- Firestops are required at each floor level and whenever passing through a wall.

# INSTALLATION

## Horizontal Venting with Two (2) 90° Elbows

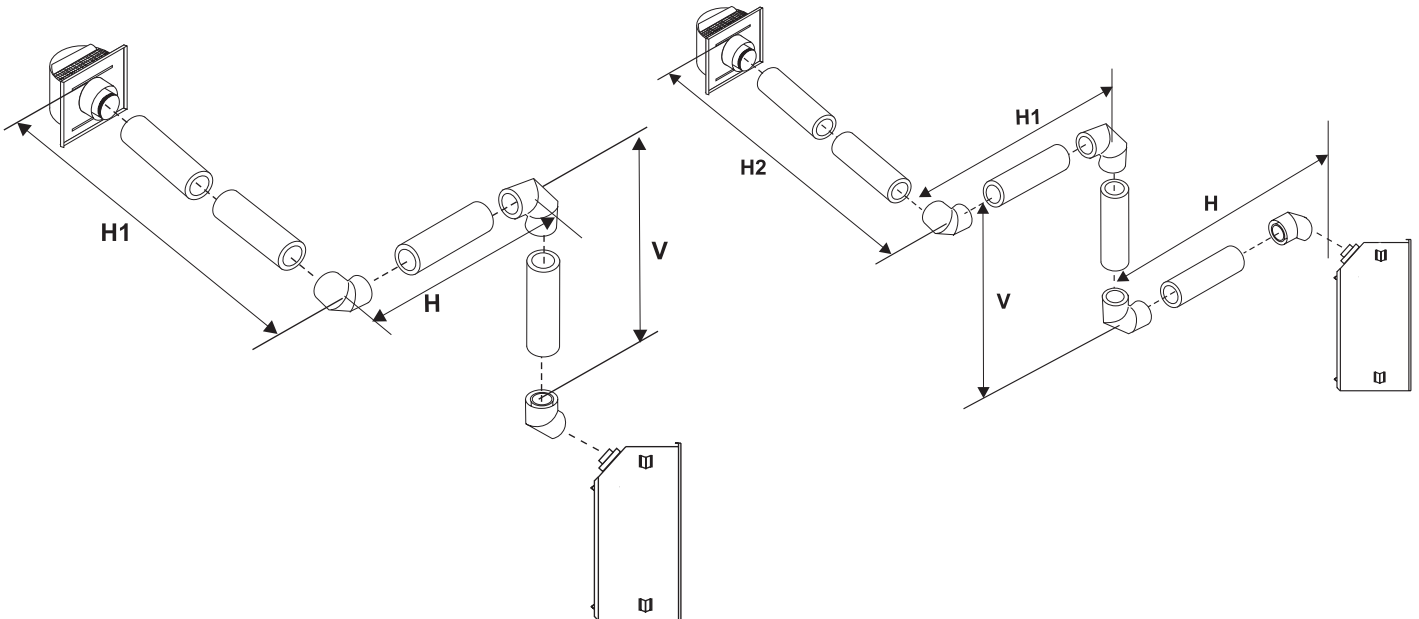
One 90° elbow = Two 45° elbows.

Option	V	H + H1	With these options, maximum total pipe length is 30 feet with minimum of 6 feet total vertical and maximum 8 feet total horizontal. <b>Please note minimum 1 foot between 90° elbows is required.</b>
A)	1' Min.	3' Max.	
B)	2' Min.	4' Max.	
C)	3' Min.	5' Max.	
D)	4' Min.	6' Max.	
E)	5' Min.	7' Max.	
F)	6' Min.	8' Max.	

## Horizontal Venting with Three (3) 90° Elbows

One 90° elbow = Two 45° elbows.

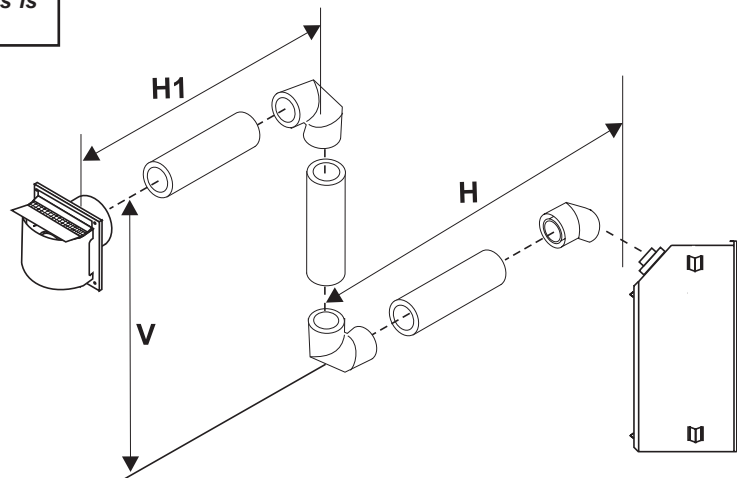
Option	H	V	H + H1 + H2	With these options, max. total pipe length is 30 feet with min. of 11 feet total vertical and max. 9 feet total horizontal. <b>Please note min. 1 foot between 90° elbows is required.</b>
A)	1' Max.	1' Min.	3' Max.	
B)	2' Max.	3' Min.	5' Max.	
C)	3' Max.	5' Min.	6' Max.	
D)	4' Max.	7' Min.	7' Max.	
E)	5' Max.	9' Min.	8' Max.	
F)	6' Max.	11' Min.	9' Max.	



## Horizontal Venting with Two (2) 90° Elbows

One 90° elbow = Two 45° elbows.

Option	H	V	H + H1	With these options, max. total pipe length is 30 feet with min. of 8 feet total vertical and max. 8 feet total horizontal. <b>Please note min. 1 foot between 90° elbows is required.</b>
A)	1' Max.	1' Min.	3' Max.	
B)	2' Max.	2' Min.	5' Max.	
C)	3' Max.	4' Min.	6' Max.	
D)	4' Max.	6' Min.	7' Max.	
E)	5' Max.	8' Min.	8' Max.	

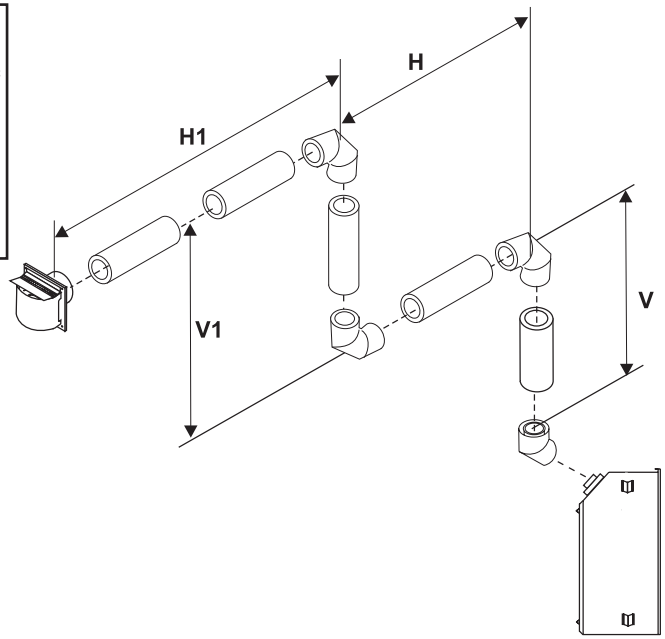


# INSTALLATION

## Horizontal Venting with Three (3) 90° Elbows

One 90° elbow = Two 45° elbows.

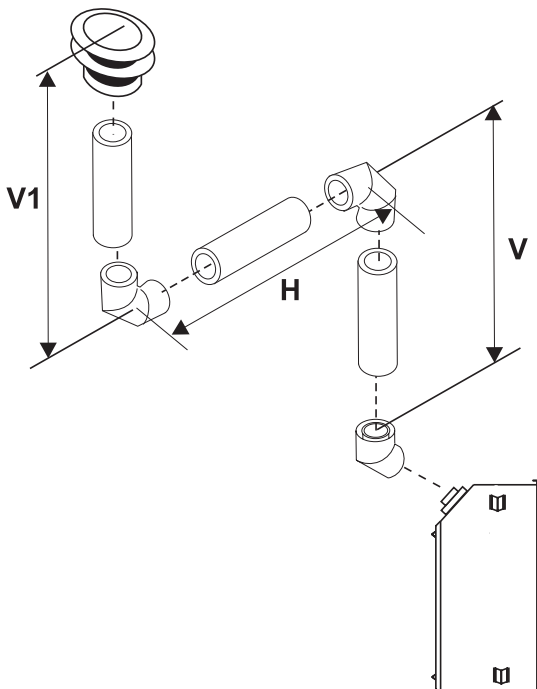
Option	V	H	V + V1	H + H1	With these options, max. total pipe length is 30 feet with min. of 12 feet total vertical and max. 9 feet total horizontal. <b>Please note min. 1 foot between 90° elbows is required.</b>
A)	2' Min.	1' Max.	3' Min.	4' Max.	
B)	3' Min.	2' Max.	4' Min.	5' Max.	
C)	4' Min.	3' Max.	6' Min.	6' Max.	
D)	5' Min.	4' Max.	8' Min.	7' Max.	
F)	7' Min.	6' Max.	12' Min.	9' Max.	



## Vertical Venting with Two (2) 90° Elbows

One 90° elbow = Two 45° elbows.

Option	V	H	V + V1	With these options, max. total pipe length is 30 feet with min. of 6 feet total vertical and max. 8 feet total horizontal. <b>Please note min. 1 foot between 90° elbows is required.</b>
A)	1' Min.	4' Max.	2' Min.	
B)	2' Min.	5' Max.	3' Min.	
C)	3' Min.	6' Max.	4' Min.	
D)	4' Min.	7' Max.	5' Min.	
E)	5' Min.	8' Max.	6' Min.	

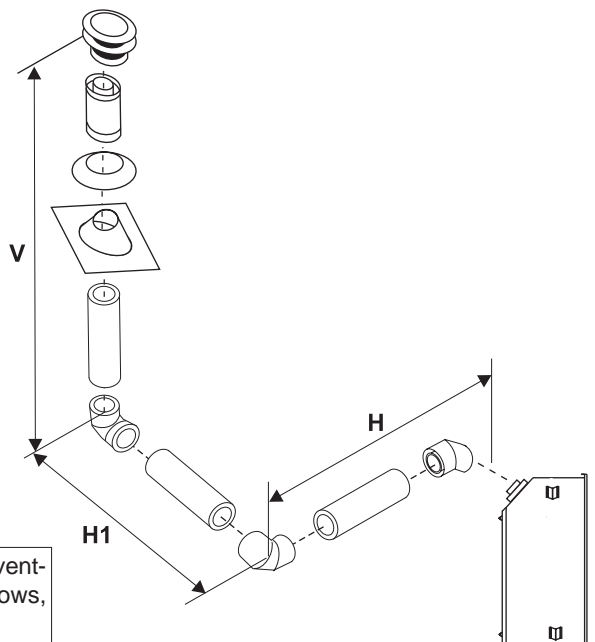


For additional vertical venting with 2 x 90° elbows, refer to page 18.

## Vertical Venting with Two (2) 90° Elbows

One 90° elbow = Two 45° elbows.

Option	H + H1	V	With these options, max. total pipe length is 30 feet with min. of 6 feet total vertical and max. 6 feet total horizontal. <b>Please note min. 1 foot between 90° elbows is required.</b>
A)	2' Max.	2' Min.	
B)	3' Max.	3' Min.	
C)	4' Max.	4' Min.	
D)	5' Max.	5' Min.	
E)	6' Max.	6' Min.	



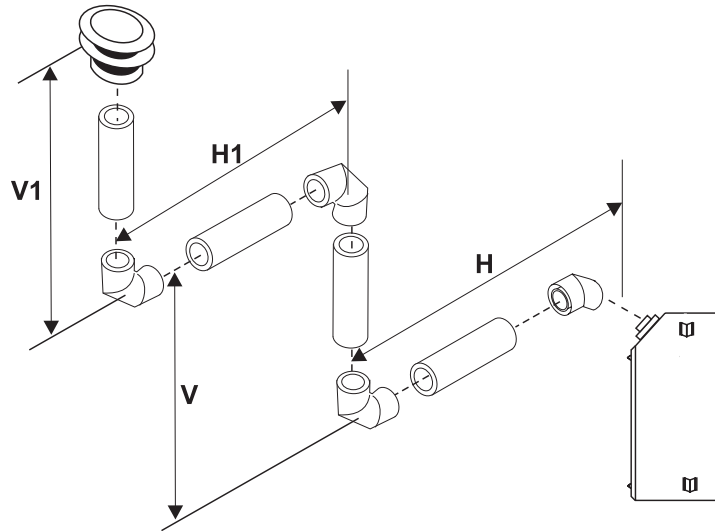


## Vertical Venting with Three (3) 90° Elbows

One 90° elbow = Two 45° elbows.

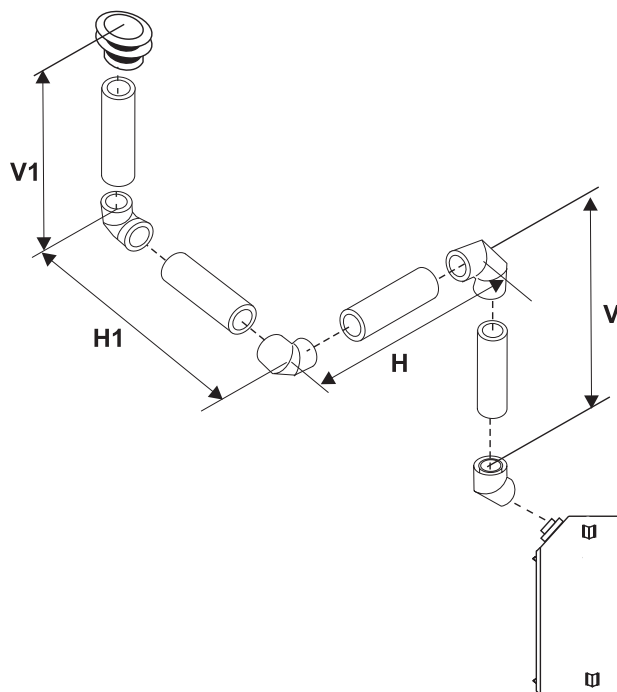
Option	H	V	H + H1	V + V1
A)	1' Max.	1' Min.	3' Max.	3' Min.
B)	2' Max.	2' Min.	4' Max.	5' Min.
C)	3' Max.	3' Min.	5' Max.	7' Min.
D)	4' Max.	4' Min.	6' Max.	9' Min.
E)	5' Max.	5' Min.	7' Max.	11' Min.

With these options, max. total pipe length is 30 feet with min. of 11 feet total vertical and max. 7 feet total horizontal.  
**Please note min. 1 foot between 90° elbows is required.**



## Vertical Venting with Three (3) 90° Elbows

One 90° elbow = Two 45° elbows.



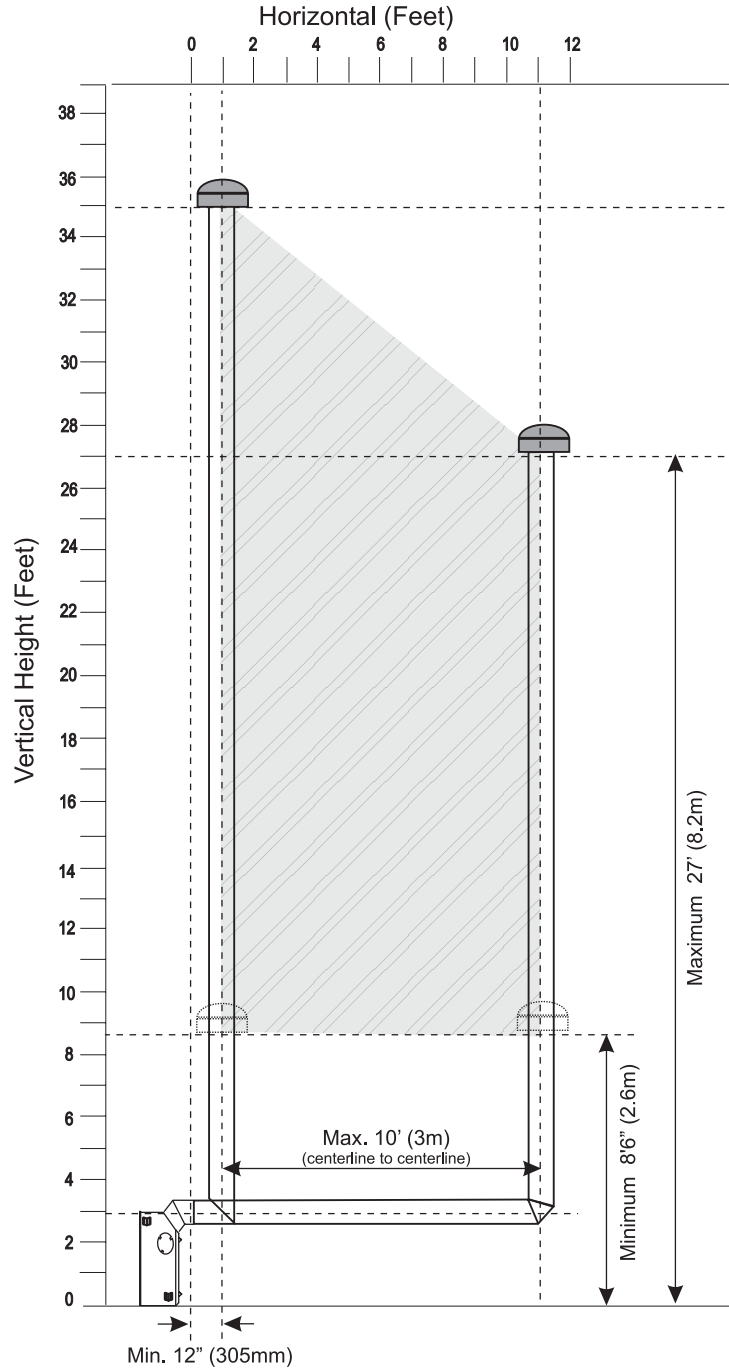
Option	V	H + H1	V + V1
A)	2' Min.	3' Max.	4' Min.
B)	3' Min.	4' Max.	6' Min.
C)	4' Min.	5' Max.	7' Min.
D)	5' Min.	6' Max.	8' Min.
E)	6' Min.	7' Max.	9' Min.
F)	7' Min.	8' Max.	10' Min.

With these options, max. total pipe length is 30 feet with min. of 10 feet total vertical and max. 8 feet total horizontal.  
**Please note min. 1 foot between 90° elbows is required.**

# INSTALLATION

## VENTING ARRANGEMENTS - VERTICAL TERMINATIONS SIMPSON DURA-VENT DIRECT VENT GS SYSTEM (Propane & Natural Gas)

The shaded area in the diagram shows all allowable combinations of straight vertical and offset to vertical terminations, using two 90° elbows, with **Simpson Dura-Vent Direct Vent GS** vent systems for Propane and Natural Gas.



- Vent must be supported at offsets.
- Firestops are required at each floor level and whenever passing through a wall.
- Maintain clearances to combustibles.

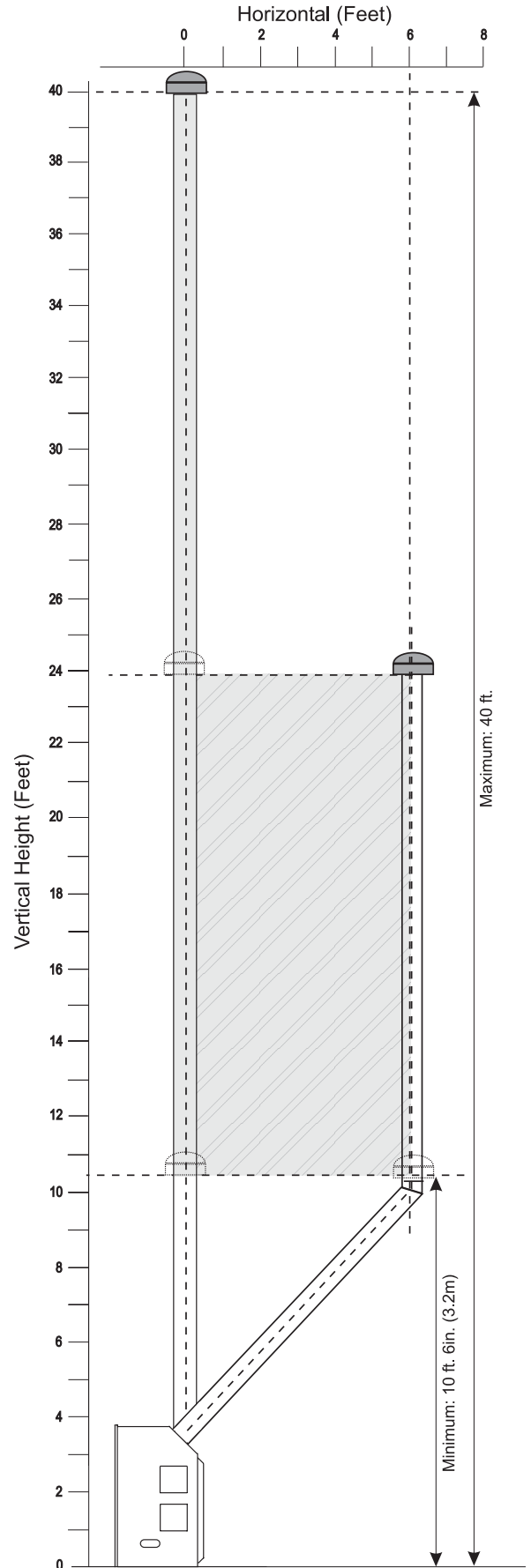
**Note:** Must use optional flue adapter when using Simpson Dura-Vent pipe (Part # 510-994).

# INSTALLATION

The P48 is approved for a maximum 40 ft. straight vertical, with **Simpson Dura-Vent Direct Vent GS** vent systems for Propane and Natural Gas, as per diagram.

The shaded area in the diagram shows all allowable combinations of straight vertical and offset to vertical terminations with **Simpson Dura-Vent Direct Vent GS** vent systems for Propane and Natural Gas. Maximum two 45° elbows allowed.

- **Vent must be supported at offsets**
- **Firestops are required at each floor level and whenever passing through a wall.**
- **Maintain clearances to combustibles as listed on pages 6 to 9.**



# INSTALLATION

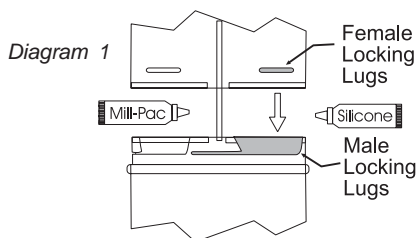
## HORIZONTAL INSTALLATIONS

Install the vent system according to the manufacturer's instructions included with the components.

- 1) Set the unit in its desired location. Check to determine if wall studs or roof rafters are in the way when the venting system is attached. If this is the case, you may want to adjust the location of the unit. Rough in the gas preferably on the right side of the unit and the electrical (junction block is on the left side) on the left.
- 2) Direct Vent pipe and fittings are designed with special twist-lock connections to connect the venting system to the appliance flue outlet. A twist-lock appliance adaptor is an available option that must be used in conjunction with the Simpson Dura-Vent Direct Vent GS system. Install the adaptor after the unit is set in its desired location otherwise the unit will not fit through the 36-5/8" (930mm) high frame opening.
- 3) Put a bead of silicone inside the outer section of the adapter and a bead of Stove Mate on the inner collar. Slip the adapter over the existing inner and outer flue collar and fasten to the outer collar only with the 3 supplied screws (drilling pilot holes will make this easier). Level the fireplace and fasten it to the framing using nails or screws through the nailing strips.
- 4) Assemble the desired combination of pipe and elbows to the appliance adaptor and twist-lock for a solid connection.

**Note:**

- a) Twist-lock procedure: Four indentations, located on the female ends of pipes and fittings, are designed to slide straight onto the male ends of adjacent pipes and fittings, by orienting the four pipe indentations so they match and slide in to the four entry slots on the male ends. (Diagram 1) Push the pipe sections completely together, then twist-lock one section clockwise approximately one-quarter turn, until the two sections are fully locked. The female locking lugs will not be visible from the outside, on the Black Pipe or fittings.



They may be located by examining the inside of the female ends.

**Note:** Apply sealant "Mill-Pac" to inner pipe and high temp silicone sealant to outer pipe on every twist-lock joint.

- b) Horizontal runs of vent must be supported every 3 feet (0.9meter). Wall straps are available for this purpose.
- 5) Mark the wall for a 11" x 11" (279mm x 279mm) square hole. The center of the square hole should line up with the centerline of the horizontal pipe. Cut and frame the 11 inch (279mm) square hole in the exterior wall where the vent will be terminated.

If the wall being penetrated is constructed of non-combustible material, i.e. masonry block or concrete, a 8" (203mm) diameter hole is acceptable.

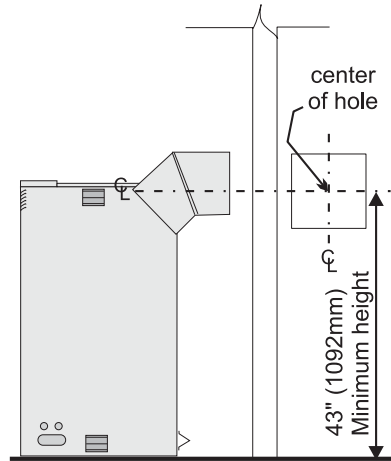


Diagram 2

**Note:**

- a) The horizontal run of vent must be level, or have a 1/4 inch rise for every 1 foot of run towards the termination. Never allow the vent to run downward. This could cause high temperatures and may present the possibility of a fire.
- b) The location of the horizontal vent termination on an exterior wall must meet all local and national building codes, and must not be blocked or obstructed. For External Vent Terminal Locations, see diagram on page 11.

- 6) The arrow on the vent cap should be pointing up. Insure that the 1-1/4"(32mm) clearances to combustible materials are maintained (Diagram 5). Install the termination cap.

**Note:** If installing termination on a siding covered wall, a vinyl siding stand-off or furring strips must be used to ensure that the termination is not recessed into the siding.

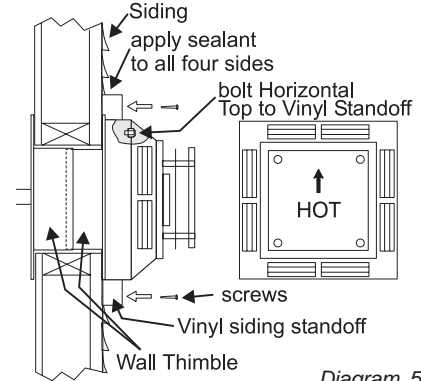


Diagram 5

The four wood screws provided should be replaced with appropriate fasteners for stucco, brick, concrete, or other types of sidings.

- 7) Before connecting the horizontal run of vent pipe to the vent termination, slide the Wall Thimble (Part # 1247) over the vent pipe.
- 8) Slide the appliance and vent assembly towards the wall carefully inserting the vent pipe into the vent cap assembly. It is important that the vent pipe extends into the vent cap sufficient distance so as to result in a minimum pipe overlap of 1-1/4 inches (32mm). Secure the connection between the vent pipe and the vent cap by attaching the two sheet metal strips extending from the vent cap assembly into the outer wall of the vent pipe. Use the two sheet metal screws provided to connect the strips to the pipe section. See Diagram 6.

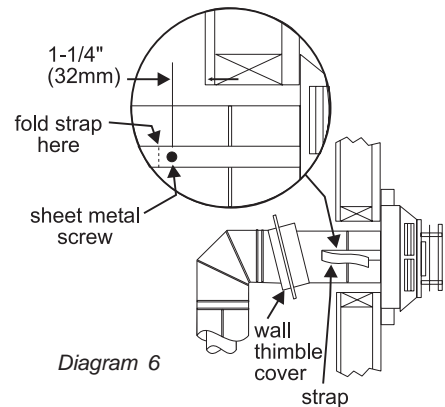


Diagram 6

- 9) Install wall thimble in the center of the 11" (279mm) square and attach with wood screws (Diagram 7).

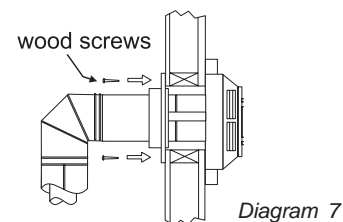


Diagram 7

## VERTICAL TERMINATION

- 1) Maintain the 1-1/4"(32mm) clearances (air spaces) to combustibles when passing through ceilings, walls, roofs, enclosures, attic rafters, or other nearby combustible surfaces. Do not pack air spaces with insulation. Check pages 16-17 for the maximum vertical rise of the venting system and the maximum horizontal offset limitations.

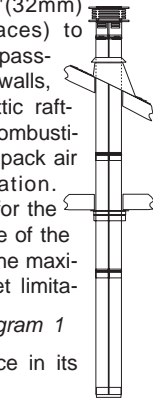


Diagram 1

- 2) Set the gas appliance in its desired location. Drop a plumb bob down from the ceiling to the position of the appliance flue exit, and mark the location where the vent will penetrate the ceiling. Drill a small hole at this point. Next, drop a plumb bob from the roof to the hole previously drilled in the ceiling, and mark the spot where the vent will penetrate the roof. Determine if ceiling joists, roof rafters or other framing will obstruct the venting system. You may wish to relocate the appliance or to offset, as shown in Diagram 2 to avoid cutting load bearing members.

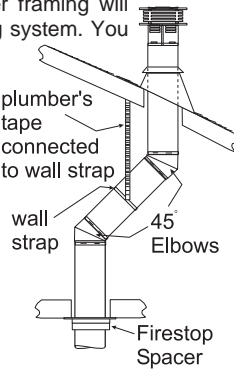


Diagram 2

- 3) A Firestop spacer must be installed in the floor or ceiling of every level. To install the Firestop spacer in a flat ceiling or wall, cut a 11 inch (279mm) square hole. Frame the hole as shown in Diagram 3 and install the firestop.

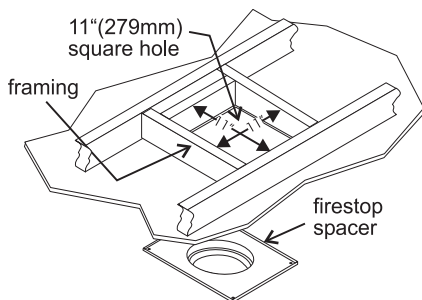
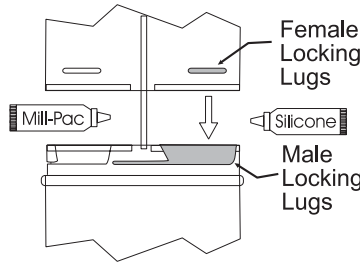


Diagram 3

- 4) Assemble the desired lengths of pipe and elbows. Ensure that all pipes and elbow connections are in the fully twist-locked position and sealed.

**Note:**  
Apply sealant "Mill-Pac" to inner pipe and high temp silicone sealant to outer pipe on every twist-lock joint.



- 5) Cut a hole in the roof centered on the small drilled hole placed in the roof in Step 2. The hole should be of sufficient size to meet the minimum requirements for clearance to combustibles of 1-1/4"(32mm). Slip the flashing under the shingles (shingles should overlap half the flashing) as per Diagram 4.

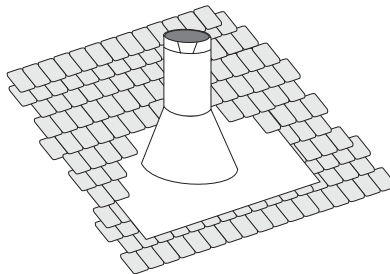


Diagram 4: The upper half of the flashing is installed under the roofing material and not nailed down until the chimney is installed. This allows for small adjustments.

- 6) Continue to assemble pipe lengths.

**Note:** If an offset is necessary in the attic to avoid obstructions, it is important to support the vent pipe every 3 feet (0.9 meter), to avoid excessive stress on the elbows, and possible separation. Wall straps are available for this purpose (Diagram 2).

Galvanized pipe is desirable above the roof-line due to its higher corrosion resistance. Continue to add pipe sections through the flashing until the height of the vent cap meets the minimum height requirements specified in Diagram 5 or local codes. Note that for steep roof pitches, the vertical height must be increased.

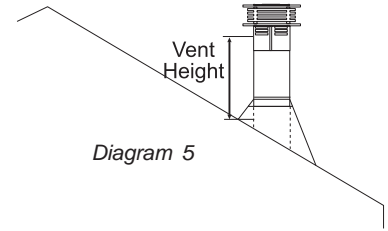


Diagram 5

Roof Pitch	Minimum Vent Height	
	Feet	Meters
flat to 7/12	2	0.61
over 7/12 to 8/12	2	0.61
over 8/12 to 9/12	2	0.61
over 9/12 to 10/12	2.5	0.76
over 10/12 to 11/12	3.25	0.99
over 11/12 to 12/12	4	1.22
over 12/12 to 14/12	5	1.52
over 14/12 to 16/12	6	1.83
over 16/12 to 18/12	7	2.13
over 18/12 to 20/12	7.5	2.29
over 20/12 to 21/12	8	2.44

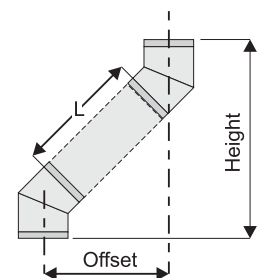
A poor draft, or down drafting can result from high wind conditions near big trees or adjoining roof lines, in these cases, increasing the vent height may solve the problem.

- 7) Ensure vent is vertical and secure the base of the flashing to the roof with roofing nails, slide storm collar over the pipe section and seal with a mastic.
- 8) Install the vertical termination cap by twist-locking it.

**Note:** Any closets or storage spaces, which the vent passes through must be enclosed.

### Offset Chart

GS 8"(203mm) Nominal Diameter ID					
Offset		Pipe Length (L)		Height	
inches	mm	inches	mm	inches	mm
4 3/4	121	0	0	13 1/4	337
9	229	6	152	17 1/2	445
11 1/4	286	9	229	19 1/2	495
13 1/4	337	12	305	21 3/4	552
21 3/4	552	24	610	30 1/4	768
30 1/4	768	36	914	39	991
38	965	48	1219	47	1194



# INSTALLATION

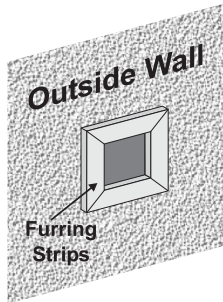
## INSTALLATION PROCEDURES

### for Regency Direct Vent System (Flex)

- 1) Locate the unit in the framing, rough in the gas (preferably on the right side of the unit) and the electrical (Junction block is on the left side) on the left. Locate the centerline of the termination and mark wall accordingly. Cut a 11" (279mm) hole in the wall (inside dimension).

**Note:** A top clearance of 2-1/2" (64mm) and side & bottom clearance of 1-1/2" (38mm) must be maintained except that only a 1" (25mm) clearance is needed at the termination end. We recommend framing a 11" (279mm) x 11" (279mm) (inside dimensions) hole to give structural rigidity for mounting the termination.

**Note:** To make the installation more aesthetically pleasing, we recommend framing out a square to mount the terminal to.



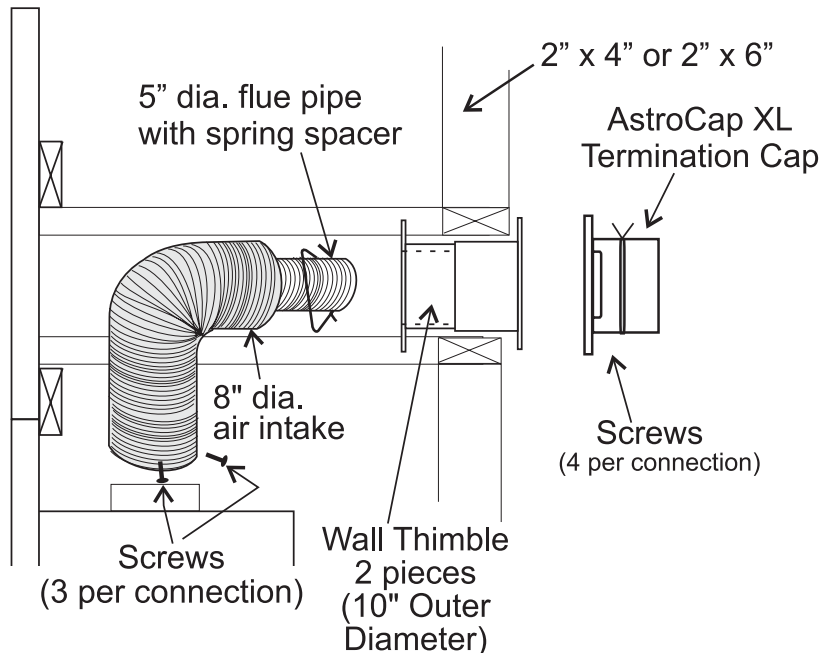
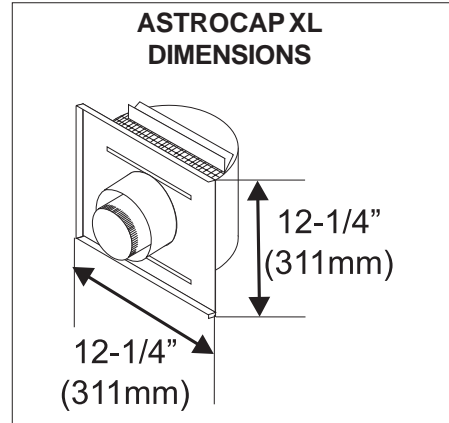
**Note:** If installing termination on a siding covered wall, furring strips must be used to ensure that the termination is not recessed into the siding.

- 2) Level the fireplace and fasten it to the framing using nails or screws through the nailing strips.
- 3) Assemble the vent assembly by applying Mill Pac to the 5" (127mm) inner collar of the termination and slipping the 5" (127mm) liner over it at least 1-3/8" (35mm). Fasten with the 3 screws (drilling pilot holes will make this easier). Apply Mill Pac or high temperature silicone to the 8" (203mm) flex pipe and slip it over the 8" outer collar of the vent terminal at least 1-3/8" (35mm) and fasten with the 3 screws.

**NOTE:** Horizontal sections must be supported at intervals not exceeding 3 feet (0.9 meter). (Flame picture and performance will be affected by sags in the liner).

- 4) Separate the 2 halves of the wall thimble and securely fasten the one with the tabs to the outside wall making sure that the tabs are on top and bottom. Fasten the other thimble half to the inside wall. The thimble halves slip inside each other and can be adjusted for 2 x 4 or 2 x 6 walls. **The liners must slip over the collars a minimum of 1-3/8".**
- 5) Slip the assembled liner and termination assembly through the thimble making sure the termination cap faces up (there are markings on the cap that show which way is up). This will position the termination cap with proper down slope for draining water. Fasten the cap to the outer wall with the 4 supplied screws.
- 6) Pull the centre 5" (127mm) liner and outer 8" (203mm) liner out enough to slip over the flue collars of the fireplace. (You may wish to cut the liner shorter to make it more workable.) Do not bend liner more than 90°.
- 7) Apply Mill Pac over the fireplace inner collar and slip the 5" (127mm) liner down over it and attach with 3 supplied screws.
- 8) Do the same with the 8" (203mm) liner.
- 9) Apply a bead of silicone between the thimble and termination and around the outer edge of the terminal at the wall in order to keep the water out.

**IMPORTANT:** Do not locate termination hood where excessive snow or ice build-up may occur. Be sure to check vent termination area after snow falls, and clear to prevent accidental blockage of venting system. When using snow blowers, make sure snow is not directed towards vent termination area.



# INSTALLATION

## P48-NG System Data

For 0 to 4500 feet altitude

**Burner Inlet Orifice Sizes:** #27

**Max. Input Rating** 51,000 Btu/h

**Min. Input Rating** 29,000 Btu/h

**Supply Pressure** min.5.0" w.c.

**Manifold Pressure (High)** 3.8"+/- 0.2"w.c.

**Log Set:** Ceramic fibre, 8 per set.

**Vent System:** Simpson Dura-Vent Direct Vent System, Regency Flex Kit

## P48-LP System Data

Conversion Kit# 370-969

For 0 to 4500 feet altitude

**Burner Inlet Orifice Sizes:** #47

**Max. Input Rating** 48,000 Btu/h

**Min. Input Rating** 26,000 Btu/h

**Supply Pressure** min.12.0" w.c.

**Manifold Pressure (High)** 11"+/- 0.2" w.c.

**Log Set:** Ceramic fibre, 8 per set.

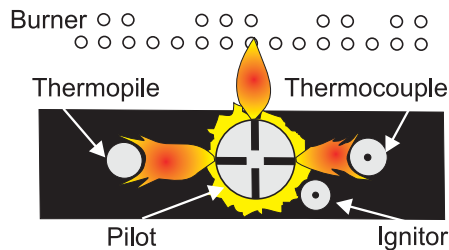
**Vent System:** Simpson Dura-Vent Direct Vent System, Regency Flex Kit

For USA installations follow local codes and/or the current National Fuel Gas Code, ANSI Z223.1.

When using copper or flex connectors use only approved fittings. Always provide a union so that gas lines can be easily disconnected for servicing. Flare nuts for copper lines and flex connectors are usually considered to meet this requirement.

**Important: Always check for gas leaks with a soap and water solution or gas leak detector. Do not use open flame for leak testing.**

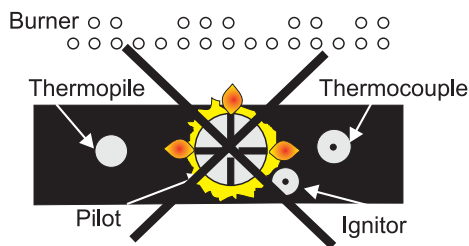
## PILOT ADJUSTMENT



Periodically check the pilot flames. Correct flame pattern has three strong blue flames: 1 flowing around the thermopile, 1 around the thermocouple and 1 flowing across the burner (it does not have to be touching the burner).

**Note: If you have an incorrect flame pattern, contact your Regency dealer for further instructions.**

Incorrect flame pattern will have small, probably yellow flames, not coming into proper contact with the rear burner or thermopile or thermocouple.



## GAS PIPE PRESSURE TESTING

The appliance must be isolated from the gas supply piping system by closing its individual manual shut-off valve during any pressure testing of the gas supply piping system at test pressures equal to or less than 1/2 psig. (3.45 kPa). Disconnect piping from valve at pressures over 1/2 psig.

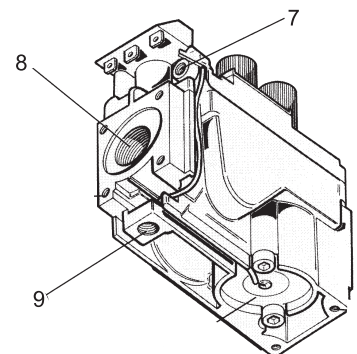
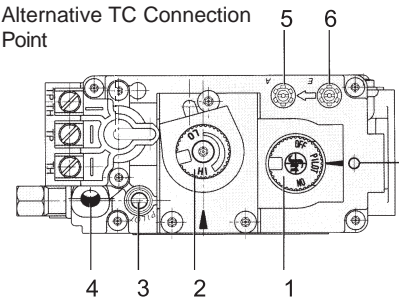
The manifold pressure is controlled by a regulator built into the gas control, and should be checked at the pressure test point.

**Note: To properly check gas pressure, both inlet and manifold pressures should be checked using the valve pressure ports on the valve.**

- 1) Make sure the valve is in the "OFF" position.
- 2) Loosen the "IN" and/or "OUT" pressure tap(s), turning counterclockwise with a 1/8" wide flat screwdriver.
- 3) Attach manometer to "IN" and/or "OUT" pressure tap(s) using a 5/16" ID hose.
- 4) Light the pilot and turn the valve to "ON" position.
- 5) The pressure check should be carried out with the unit burning and the setting should be within the limits specified on the safety label.
- 6) When finished reading manometer, turn off the gas valve, disconnect the hose and tighten the screw (clockwise) with a 1/8" flat screwdriver. **Note: Screw should be snug, but do not over tighten.**

## S.I.T. VALVE DESCRIPTION

- 1) Gas cock knob
- 2) Manual high/low adjustment
- 3) Pilot Adjustment
- 4) Thermocouple Connection - option
- 5) Outlet Pressure Tap
- 6) Inlet Pressure Tap
- 7) Pilot Outlet
- 8) Main Gas Outlet
- 9) Alternative TC Connection Point



## HIGH ELEVATION

This unit is approved in Canada for altitude 0 to 4500 ft. (CAN1 2.17-M91).

## GAS LINE INSTALLATION

The gas line can be brought through either the right, the left side or the bottom of the appliance. The gas valve is situated on the bottom of the unit.

The gas line connection may be made of rigid pipe, copper pipe or an approved flex connector. (If you are using rigid pipe, ensure that the valve can be removed for servicing.) Since some municipalities have additional local codes it is always best to consult with your local authorities and the CAN/CGA B149 installation code.

# INSTALLATION

## BRICK PANELS INSTALLATION

- 1) Unhook the 2 spring loaded hooks from the bottom of the flush door and lift the Flush Front off the unit.
- 2) Unwrap the brick pattern panels from the protective wrapping.

**Note: The logs must not be in the unit.**

- a) Loosen the two screws from the bottom of the baffle plate. Install the bottom clips onto the plate (refer to Diagram 1).

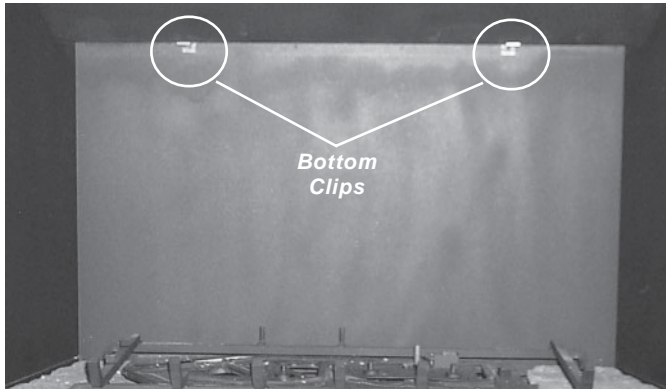


Diagram 1

- 3) Insert the back brick panel first by carefully slipping it between the back wall of the firebox and the rear log bracket (refer to Diagram 2).



Diagram 2

- 4) Put the side panels in next. Tilt them in towards the middle of the firebox and put the bottom front corner in first. Be very careful not to scratch them on the firebox hardware. Place them flat up against the wall, they should fit snugly against the top of the firebox (refer to Diagrams 3 & 4).



Diagrams 3 & 4

- 5) Place the top bracket onto the front edge of the top panel (refer to Diagram 5).

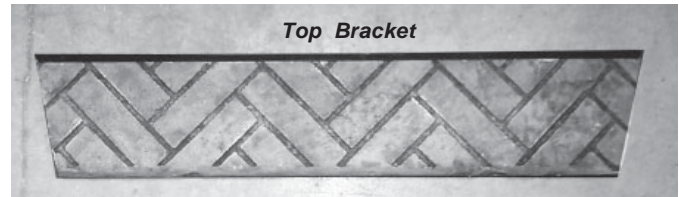


Diagram 5

- 6) Slide the top panel and bracket assembly carefully onto the baffle plate ensuring the panel is centered. Make sure the tabs of the top bracket fit into the baffle openings (refer to Diagrams 6 & 7). The back of the top brick panel sits on top of the bottom clips.

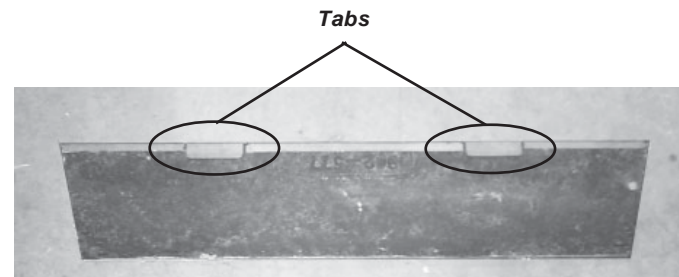


Diagram 6



Diagram 7

**NOTE: If the bottom brick panel must be removed: Remove the grate, then remove the Burner Tray. See instructions in manual.**

**IMPORTANT**  
Dangerous operating conditions may occur if the panels are broken.

**IMPORTANT**  
YOUR BRICK PANELS ARE  
MANUFACTURED FROM A SPECIAL HEAT  
REFLECTIVE CERAMIC MATERIAL  
*HANDLE WITH CARE*  
(DO NOT FORCE INTO POSITION)

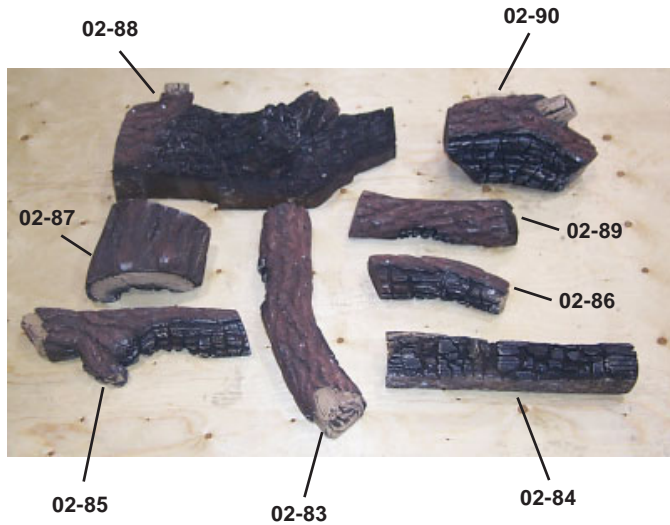


## LOG SET INSTALLATION

Read the instructions below carefully and refer to the diagrams. If logs are broken do not use the unit until they are replaced. Broken logs can interfere with the pilot operation.

The gas log kit (Part # 370-930) contains the following pieces:

a)	02-83	Center Cross Log	902-338
b)	02-84	Right Side Cross Log	902-339
c)	02-85	Front Left Side Log	902-340
d)	02-86	Front Right Side Log	902-341
e)	02-87	Left Side End Log	902-342
f)	02-88	Rear Log	902-343
g)	02-89	Middle Right Side Log	902-344
h)	02-90	Right Side End Log	902-345
i)		Embers (Lava)	902-154
		Vermiculite	902-179



The "02" reference numbers (i.e. 02-83) are molded into the rear of each log.

- Carefully remove the logs from the box and unwrap them. The logs are fragile, handle with care - **do not force into position**.
- Sprinkle the vermiculite all over the top of the base brick panel.
- Line up the two holes on the underside of Log 02-88 with the 2 pins at the rear of the grate and position into place.



Pins



- Place Log 02-85 on the front left side of the burner. Position the right end of the log into the pin on the burner and rest the left end of the log between the 1st grate post and the front tab.

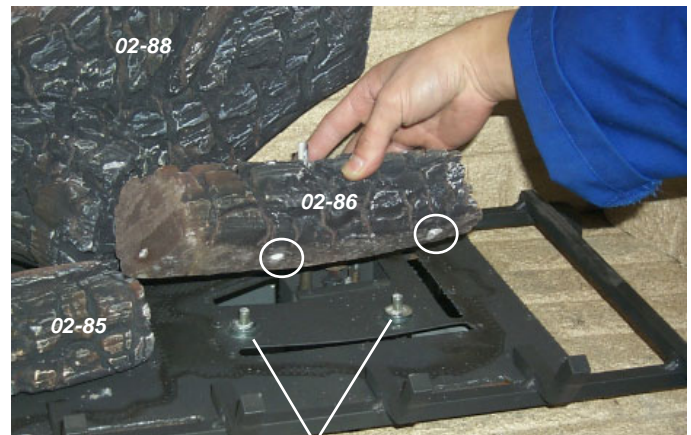


1st Grate Post

Tab

Pin

- Line up the two holes on the underside of Log 02-86 with the 2 pins on the right side of the burner and position into place.



Pins

# INSTALLATION

6) Embers should be placed in front of Log 02-85 and Log 02-86.



Embers

**CAUTION: DO NOT cover burner ports with embers.**

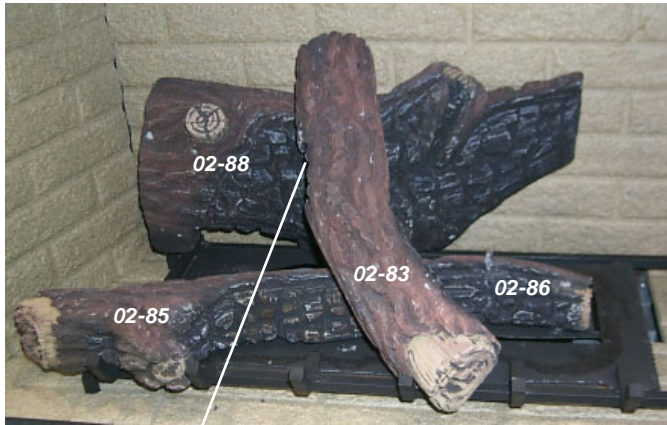
8) Line up the hole on the underside of Log 02-84 with the pin on Log 02-86 and position the notch on the bottom of the log into the last grate post.



Pin in Log

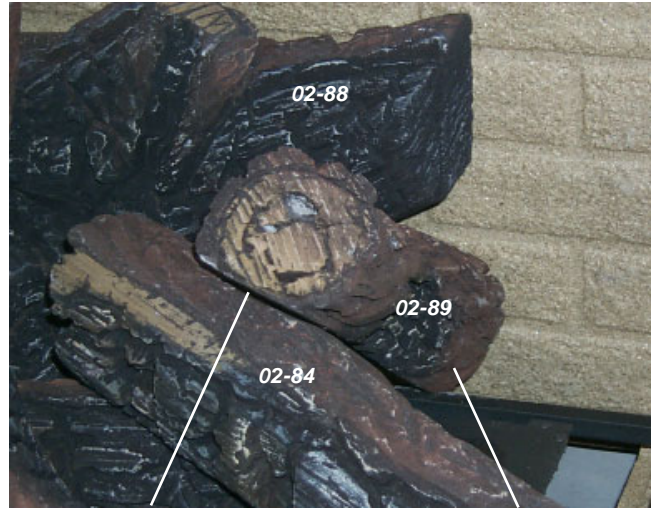
Last Grate Post

7) Place Log 02-83 onto the pin in Log 02-88 and position the notch on the bottom of the log into the 4th grate post.



Rest log onto the pin in Log 02-88.

9) Place Log 02-89 against the notch in Log 02-84. Rest the notch at the end of the log against the grate.



Notch

Rest notch at the end of the log against the grate.

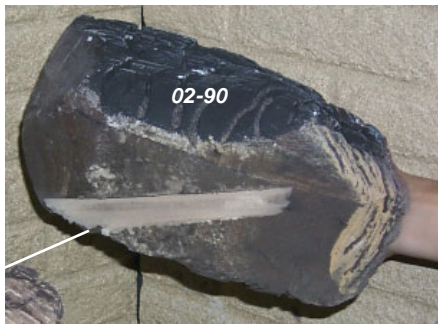


4th Grate Post

Position the notch on the bottom of the log into the 4th grate post.

# INSTALLATION

10) Place Log 02-90 onto the right side of the grate. Position the cut-out on the underside of the log onto the grate bar.

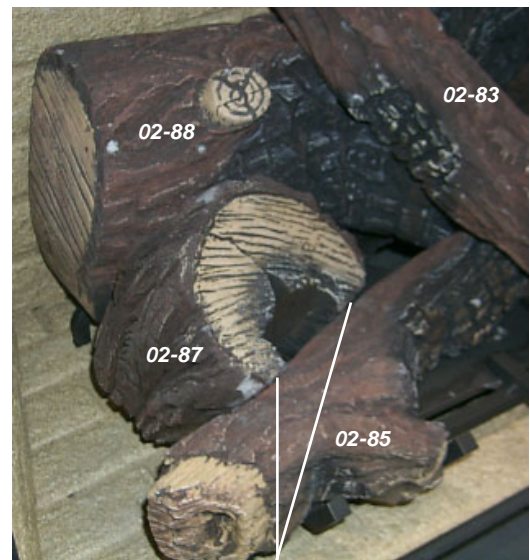


*Cut-out on the underside of the log.*

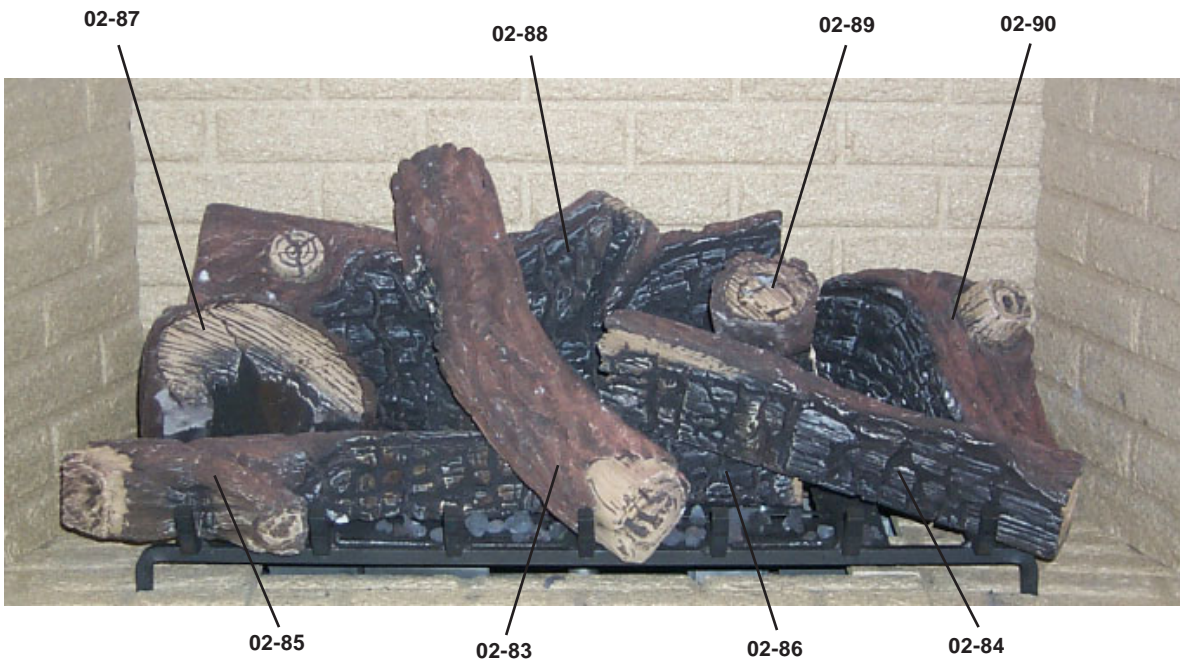
11) Place Log 02-87 on the middle left side of the burner. Position the bottom rear of the log against the rear tab on the left side of the grate. Rest the front edge of the log in the notches on Log 02-85.



*Position the cut-out onto the grate bar.*



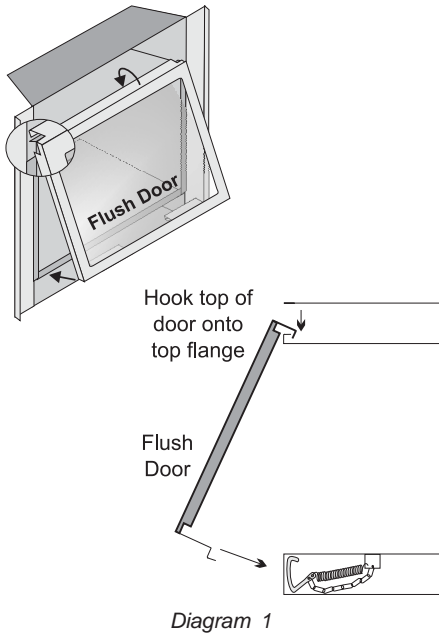
*Notches*



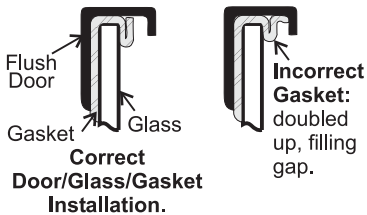
# INSTALLATION

## STANDARD FLUSH DOOR

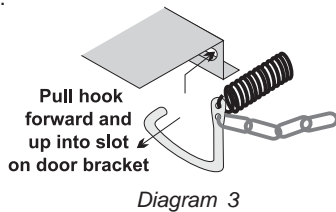
The **standard flush door** comes with a black frame. To install the frame, simply hook the top door flange onto the top of the unit and swing the door towards the unit, diagram 1.



Be careful that the glass gasket does not roll up; there must be a gap between the gasket and the door lip to ensure that the door sits securely on the unit. Diagram 2.



Use the hook to pull the spring out until you can put the hook into the slot on the bottom door bracket. Repeat for 2nd and 3rd spring. See diagram 3.

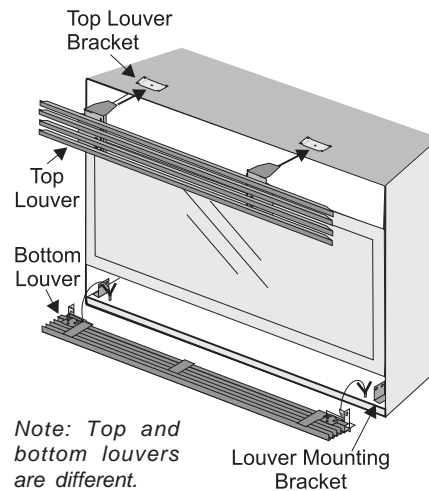
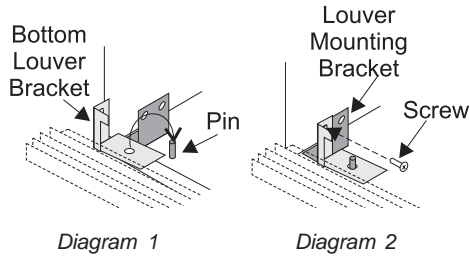


**NOTE: Springs must always be OVER not under the gas line.**

To remove the flush door, reverse the above steps.

## FLUSH LOUVERS

- 1) Install the top louver by sliding the two bracket clips into the brackets located underneath the top of the firebox.
- 2) Install the bottom louver by folding the louver down and then sliding the Bottom Louver bracket down onto the 2 pins on the base of the unit (diagram 1). Secure with 1 screw as per diagram 2.



- 3) Open the bottom louver. Pull the Burner ON/OFF control box from inside the bottom of the fireplace. Using the 2 screws on the louver, secure the control box in place.



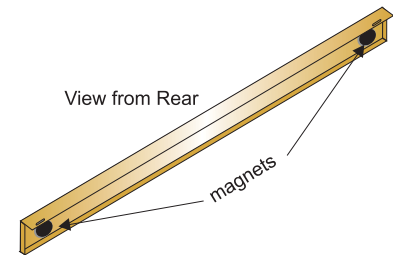
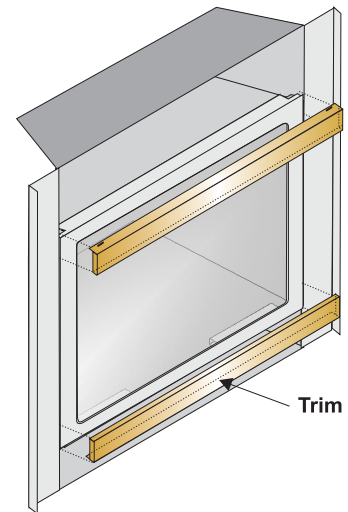
Screws on louver bracket      Burner ON/OFF control box



Burner ON/OFF control box attached to bottom flush louver.

## Optional Flush Trim

Attach the round magnets to the back of the top trim piece and to the bottom trim piece, then attach trim to the top and bottom of Flush door.

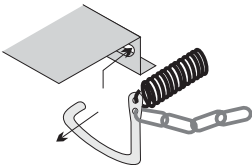


## OPTIONAL BAY DOOR

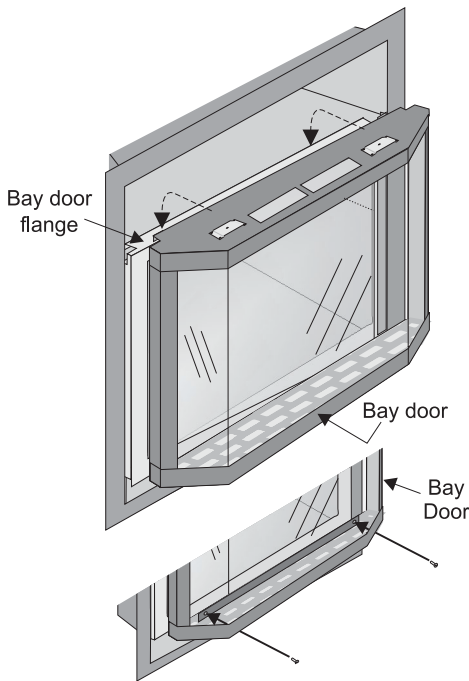
**The Bay louvers MUST be used with the Bay glass option.**

The optional Bay door is an overlay on the flush front. The standard flush door and glass must remain on the unit.

- 1) Unhook the 2 spring loaded hooks from the bottom of the flush door.

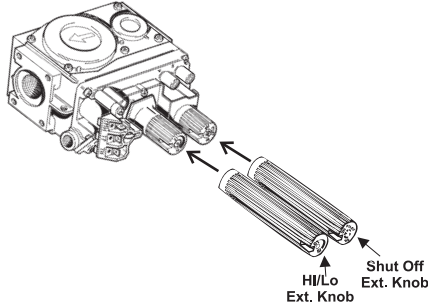


- 2) Hook the top of the bay door over the flush door flange and swing the bottom against the bottom flange of the flush door.



- 3) Secure to the flush door bottom bracket with 2 screws provided.

- 4) Reconnect the 2 spring hooks securing the flush door.
- 5) Slide the valve extension knobs onto the valve knobs.



**Note: If any maintenance etc. must be done in the firebox, first remove the Bay louvers and door.**

## Optional Bay Trim

Attach the supplied magnets each to the back of the top and bottom trim pieces, and attach trim to the top and bottom of Bay door. See diagrams 3 and 4.

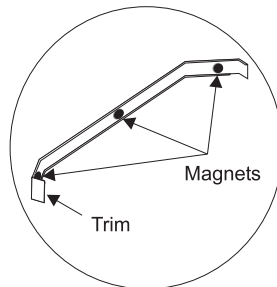


Diagram 3

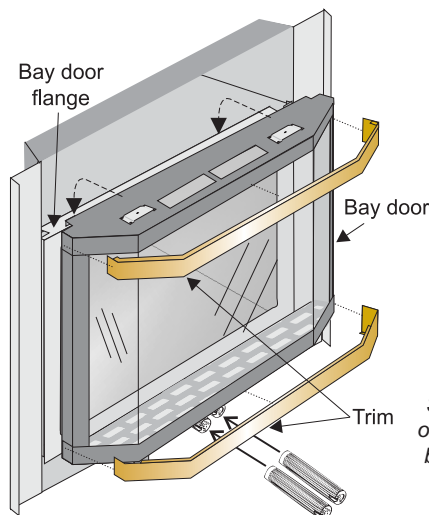
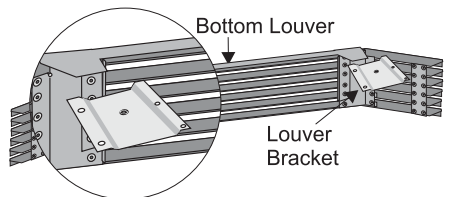
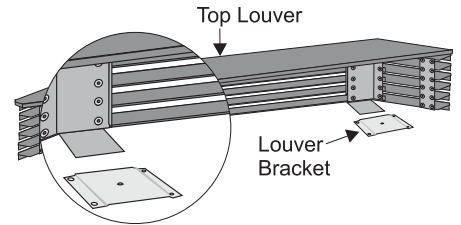


Diagram 4

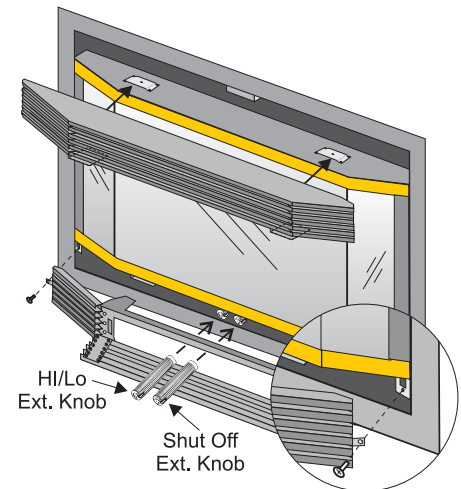
## BAY LOUVERS

- 1) Install top louver by sliding the two bracket clips into the brackets located on top of the bay door. See below. The fitted louver leaves a small gap between faceplate bottom and louver top.

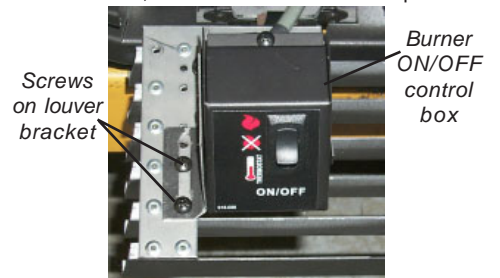


**Note: Top and bottom louvers and brackets are different.**

- 2) Install bottom louver by sliding the two bracket clips into the brackets located underneath the bay door. Install bottom louver by sliding the two bracket clips into the brackets located underneath the bay door and secure with 1 screw on each end.



- 3) Open the bottom louver. Pull the Burner ON/OFF control box from inside the bottom of the fireplace. Using the 2 screws on the louver, secure the control box in place.

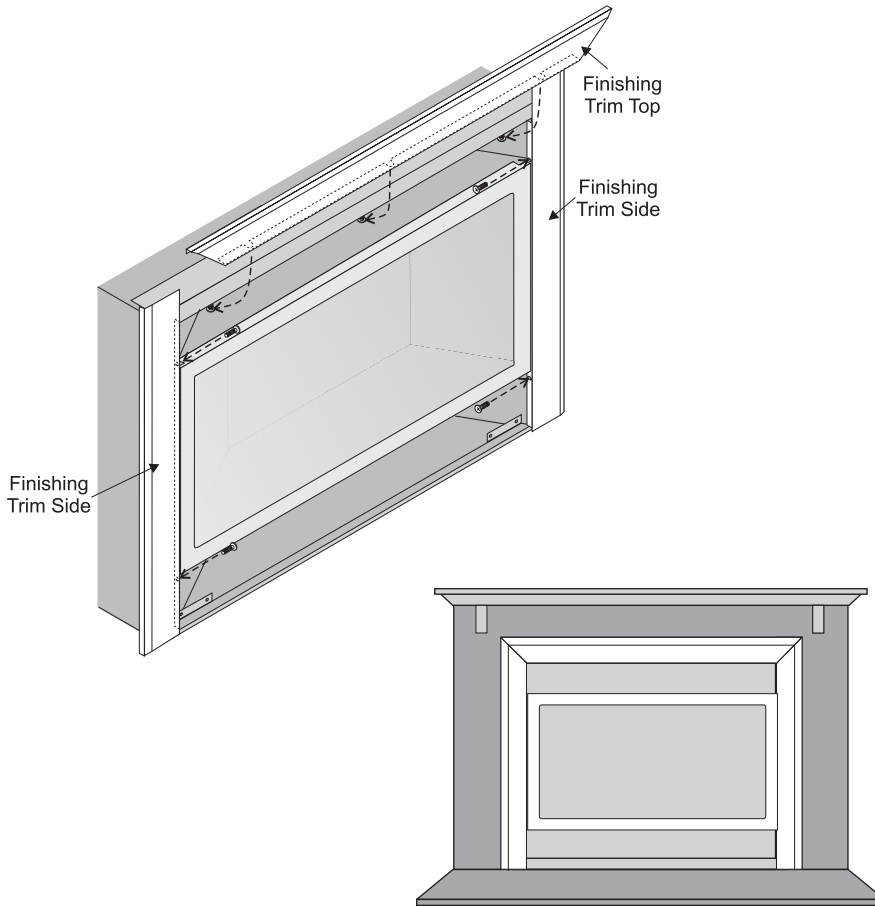


# INSTALLATION

## OPTIONAL FINISHING TRIM

**NOTE:** Remove both the Flush Louvers or Bay Louvers and the Flush Front or Bay Front prior to installing the Finishing Trim.

- 1) Install the Finishing Trim sides as shown in the diagram, line up the holes in the side trim with the holes in the firebox side.
- 2) Secure with 2 screws per side.
- 3) Loosen the 3 screws in the top inside edge of the firebox.
- 4) Slide the Finishing Trim Top over the Side Trim pieces and fit the bottom bracket slots over the screws. Tighten the 3 screws to secure.

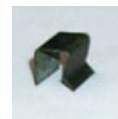


## DOUBLE SCREEN DOOR

- 1) Pull out the top louver.
- 2) Center the screen door and hook over the flush door.



- 3) Open the screen door(s) and secure the screen door to the flush door front with 2 clips on the bottom left and right side.



Clip installed on right side.

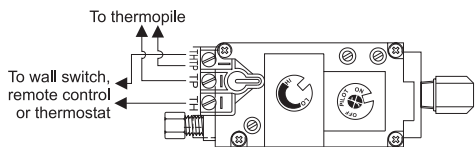
## OPTION 1: REMOTE CONTROL

**Can be used with Option 2 or 3  
but not both.**

Use the Regency Remote Control Kit approved for this unit. Use of other systems may void your warranty.

The remote control kit comes with a hand held transmitter, a receiver and a wall mounting plate.

- 1) Choose a convenient location on the wall to install the receiver and the receptacle box (protection from extreme heat is very important). Run wires from the fireplace to that location. Use the Thermostat Wire Table.
- 2) Connect the two wires to the gas valve. See diagram.



**CAUTION**  
**Do not connect millivolt remote control wires to a 120V wire.**

- 3) Install 3 AAA alkaline batteries in transmitter and 4 AA alkaline batteries in the receiver. Install the receiver and its cover in the wall. Switch the remote receiver to "remote" mode. The remote control is now ready for operation.

## OPTION 2: WALL SWITCH

**Can be used with Option 1 or 3  
but not both.**

- 1) Run the supplied 15' of wire through the back gas inlet opening. Be careful not to damage wire.

**Note: We recommend a maximum of 15' of wire but if you wish to go with a longer run, use the Thermostat Wire Table.**

- 2) Connect the wire to the supplied wall switch and install into the receptacle box.

**CAUTION**  
**Do not connect millivolt wall switch wire to a 120V wire.**

## OPTION 3: WALL THERMOSTAT

**Can be used with Option 1 or 2  
but not both.**

A wall thermostat may be installed if desired, connect the wires as per the wiring diagram on page 29. Use the table below to determine the maximum wire length.

**Note: Preferable if the thermostat is installed on an interior wall.**

Regency offers an optional programmable thermostat but any 250-750 millivolt rated non-anticipator type thermostat that is CSA, ULC or UL approved may be used.

**CAUTION**  
**Do not connect millivolt wall thermostat wires to a 120V wire.**

**Thermostat Wire Table**

Recommended Maximum Lead Length (Two-Wire) When Using Wall Thermostat (CP-2 System)	
Wire Size	Max. Length
14 GA.	50 Ft.
16 GA.	32 Ft.
18 GA.	20 Ft.
20 GA.	12 Ft.
22 GA.	9 Ft.

# INSTALLATION

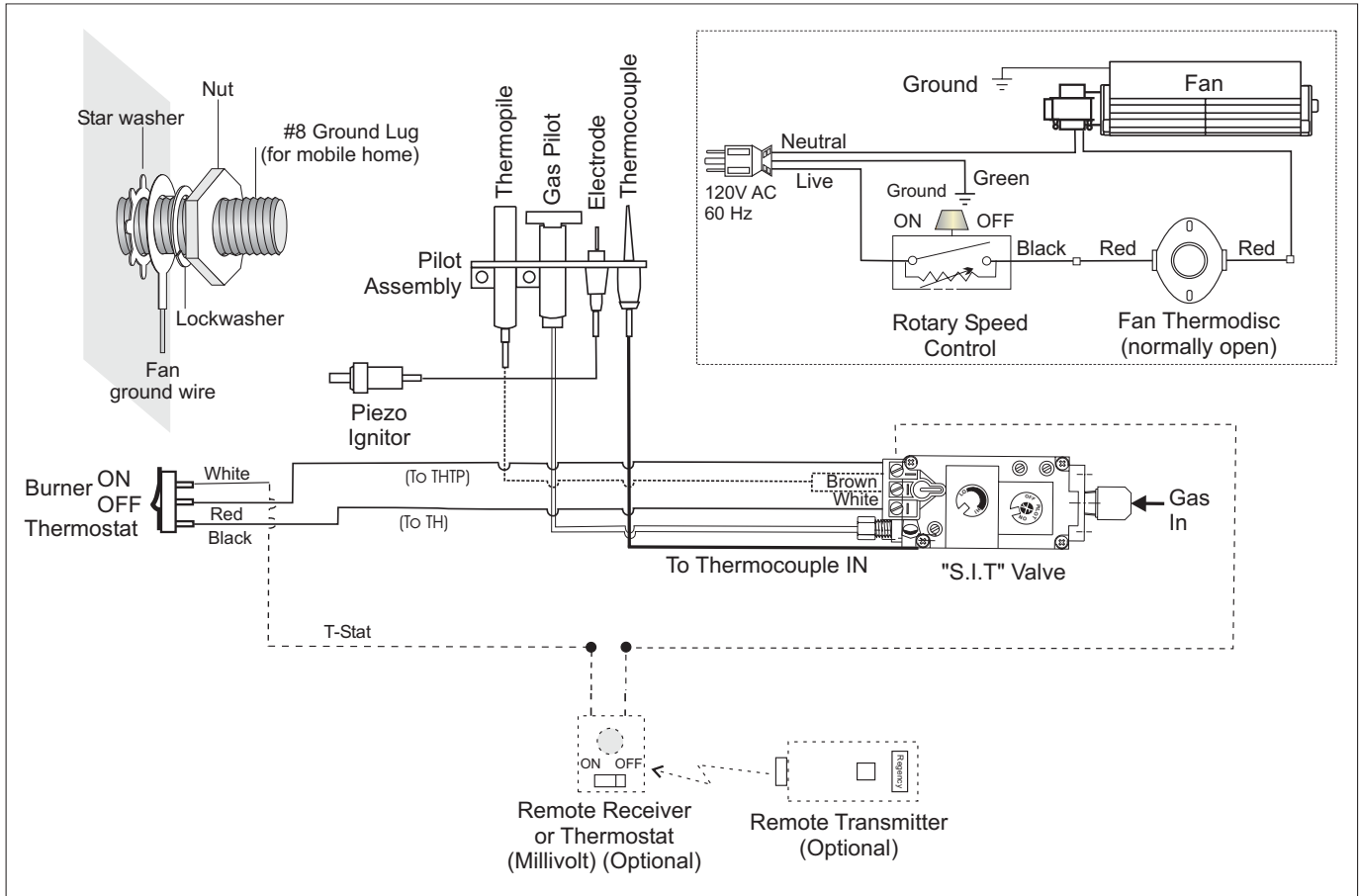
## WIRING DIAGRAM

No electrical power supply is required for the gas control to operate. 120 Volt AC power is needed for the fan switch and blower. The fan can be hard wired if desired. A terminal block is provided on the left hand side of the unit. A three wire power cord can also be used and plugged into a suitable receptacle.

**(Do not cut the ground terminal off under any circumstances.)**

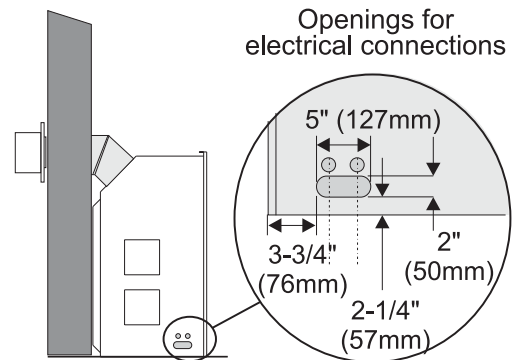
**NOTE:** Even if the fan is not purchased with the unit, it is still a good idea to hardwire the terminal block in case the fan is installed at a later date.

**\*\* However DO NOT leave this connection live until the fan is installed.\*\***



**Caution:** Ensure that the wires do not touch any hot surfaces and are away from sharp edges.

**CAUTION:** Label all wires prior to disconnection when servicing controls. Wiring errors can cause improper and dangerous operation.





## INSTALLING THE OPTIONAL FAN

120 Volt AC power is needed for the fan switch and blower. The fan can be hard wired if desired. The receptacle box should be installed on the left hand side of the unit by a qualified electrician. The neutral (wider) slot of the polarized receptacle should be at the top.

**Unit must be grounded at all times. Do not cut the ground terminal off under any circumstances.**

- 1) Shut the power off.
- 2) Remove the standard flush door and the optional bay door, if installed. Open the bottom louver door.
- 3) Remove the 2 screws holding the Burner ON/OFF switch and bracket to the bottom louver and lift the assembly out.

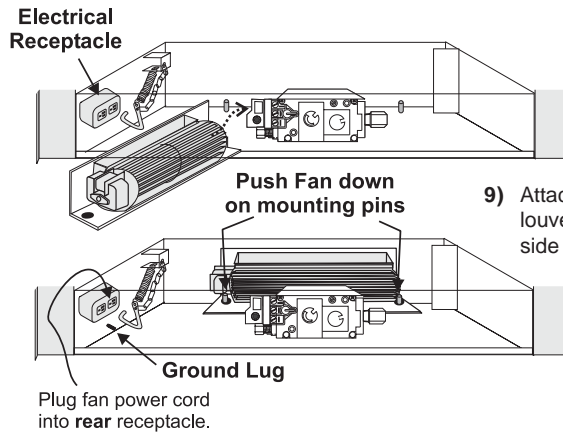


Diagram 1

- 9) Attach the two control boxes to the bottom louver and tighten the 2 screws on the left side and 2 screws on the right side.



Secure left side with 2 screws.

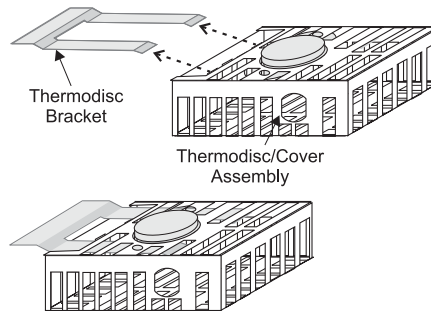


Diagram 2



Secure right side with 2 screws.

- 4) Turn the fan base on its side (with the base facing towards you) and then slide the fan in towards the rear of the unit. Turn the fan upright and slip it over the two mounting studs. Take care not to damage the insulation on the fan base. **Ensure that the fan blades do not rub against the valve tubing.** Diagram 1.
- 5) Connect fan ground cable to ground lug. Refer to wiring diagram.
- 6) Slide the thermodisc/cover assembly into the bracket clip on the underside of the firebox. Check that no wire will touch the hot surfaces. Diagram 2.
- 7) Attach the Fan control box to the Burner ON/OFF control box. Diagram 3.



Diagram 3: Use the clip & hook on the side of the control boxes to join them together.

- 8) Secure the two boxes together with one screw.



Secure the 2 boxes together with one screw.

- 10) Secure the fan wires and power cord by attaching one of the adhesive backed wire holder clips (Part #910-199) onto the stove base. Use the second clip to bundle up the wires approximately 4" from the control box. Ensure that there is no interference with the wires when the louver is closed and that no wire will touch the hot metal surfaces or sharp edges.
- 11) Plug the fan power cord into the rear end of the receptacle box to provide the maximum clearance from the louvers.

### To Remove the Fan

- 1) Shut the power off.
- 2) Reverse the above instructions.

**NOTE: The bearings are lubricated for life. Do not lubricate them. Make sure you vacuum the fan area on a regular basis.**

### IMPORTANT:

These fans collect a lot of dust from within your home. Ensure you maintain these fan motors on a regular basis by vacuuming out the fan blades and housing using a soft brush nozzle.

# INSTALLATION

## CONVERSION KIT FROM NATURAL GAS TO PROPANE MODEL #370-969 FOR P48 USING SIT 820 NOVA GAS VALVE

**THIS CONVERSION MUST BE DONE BY A QUALIFIED GAS FITTER IF IN DOUBT DO NOT DO THIS CONVERSION !!**

### Conversion Kit Contains:

Qty.	Part #	Description
1	910-018	SIT Conversion Kit-50% Turndown LP
1	910-037	LP Injector (Pilot Orifice)
1	904-434	Burner Orifice #47
1	908-255	Decal "Converted to Propane"
1	908-529	5/32" Allen Key
1	918-032	Instruction Sheet

- 1) Remove the louvers and trim kit. Remove the front door.
- 2) Remove the logs, embers.
- 3) Remove the grate by lifting straight up.



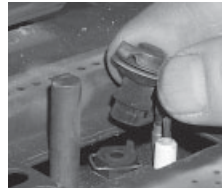
- 4) Remove the burner assembly by removing the 1 Phillips head screw and then slide the burner assembly away from the orifice and lift out.



**Diagram 1:** Remove the left screw and then slide the burner assembly away from the orifice and lift out.



- 5) Pull off the pilot cap to expose the pilot orifice.



- 6) Unscrew the pilot orifice with the allen key and replace with the LP pilot orifice in the kit and replace pilot cap.



- 7) Remove burner orifice with a 1/2" wrench and discard. Use another wrench to hold on to the elbow behind the orifice.



- 8) Reinstall new burner orifice LP stamped #47 and tighten.

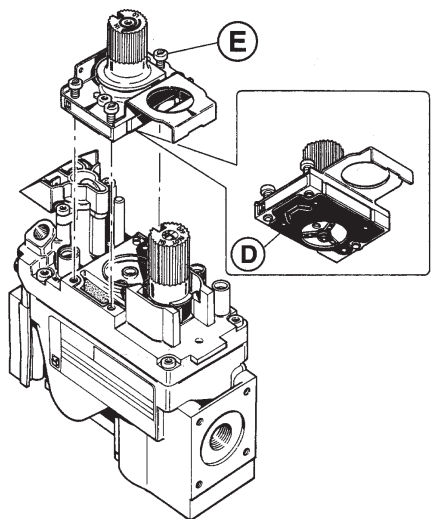
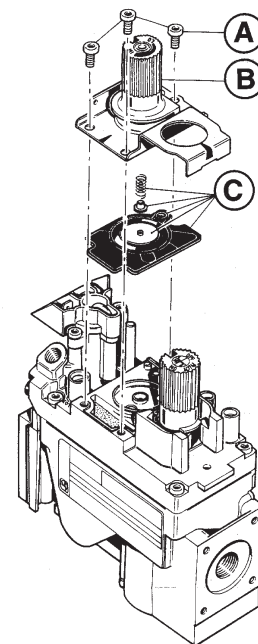
- 9) Remove and discard the 3 pressure regulator mounting screws (A), pressure regulator tower (B) and diaphragm (C).

- 10) Insure that the rubber gasket (D) is properly positioned and install the new HI/LO pressure regulator assembly to the valve using the new screws (E) supplied with the kit. Tighten screws securely.

- 11) Reverse steps 4) to 1).

- 12) Attach clear label "This unit has been converted to Propane" near or on the serial # decal. Attach white label "This valve has been converted from NG to LPG using SIT conversion Kit Code 0.907.202" onto the valve.

- 13) Replace yellow "Natural Gas" label with red "Propane" label



- 14) Check for gas leaks.

- 15) Check inlet and outlet pressures.

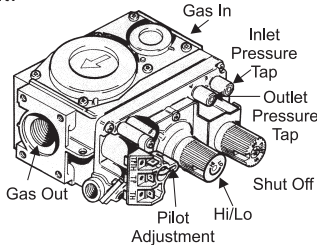
- 16) Check operation of flame control.

- 17) Check for proper flame appearance and glow on logs.

# OPERATING INSTRUCTIONS

## OPERATING INSTRUCTIONS

- 1) Read and understand these instructions before operating this appliance.
- 2) Check to see that all wiring is correct and enclosed to prevent possible shock.
- 3) Check to ensure there are no gas leaks.
- 4) Make sure the glass in the door frame is properly positioned. Never operate the appliance with the glass removed.
- 5) Verify that the venting and cap are unobstructed.
- 6) Ensure that the brick panels are installed.
- 7) Verify log placement. If the pilot cannot be seen when lighting the unit, the logs have been incorrectly positioned.
- 8) The unit should never be turned off, and on again without a minimum of a 60 second wait.



## LIGHTING PROCEDURE

**IMPORTANT**  
To ignite or reignite the pilot, you must first release the tension springs below the door.

Only when the pilot holds, without pressure being applied to the control knob, reapply the tension springs to the door. The unit **must not** be operated with the tension springs unattached.

**IMPORTANT** Gas cock knob cannot be turned from "PILOT" to "OFF" unless it is partially depressed.

- 1) Turn burner OFF using "ON/OFF" switch.
- 2) Turn gas control knob so indicator points to "OFF" position and allow 5 minutes for any gas in the combustion chamber to escape.

- 3) Turn gas control knob counterclockwise so indicator points to the "PILOT" position. Depress the gas control knob fully. Depress the igniter button several times until the pilot lights. After approximately one minute, release the gas control knob. The pilot flame should continue to burn. If the pilot does not remain lit, repeat operation allowing a longer period before releasing gas control knob.
- 4) When the pilot stays lit, turn the gas knob further counterclockwise to the "ON" position.
- 5) Use the wall switch, thermostat or remote control to turn on the unit.
- 6) Rotate the flame height regulator to adjust the flame height higher or lower.

## SHUTDOWN PROCEDURE

- 1) Use the wall switch, thermostat or remote control to turn off the main burner.
- 2) Turn the main gas control clockwise to the "OFF" position to turn off the pilot.
- 3) Turn off all electric power to appliance if service is to be performed.

## FIRST FIRE

### DO NOT BURN THE APPLIANCE WITHOUT THE GLASS FRONT IN PLACE.

The first fire in your stove is part of the paint curing process. To ensure that the paint is properly cured, it is recommended that you burn your fireplace for at least four (4) hours the first time before you use it with the fan on.

When first operated, the unit will release an odour caused by the curing of the paint, the burning off of any oils remaining from manufacturing. Smoke detectors in the house may go off at this time. Open a few windows to ventilate the room for a couple of hours.

**Note:** When the glass is cold and the appliance is lit, it may cause condensation and fog the glass. This condensation is normal and will disappear in a few minutes as the glass heats up.

During the first few fires, a white film may develop on the glass front as part of the curing process. The glass should be cleaned after the unit has cooled down or the film will bake on and become very difficult to remove. Use a non-abrasive cleaner and DO NOT ATTEMPT TO CLEAN THE GLASS WHILE IT IS HOT.

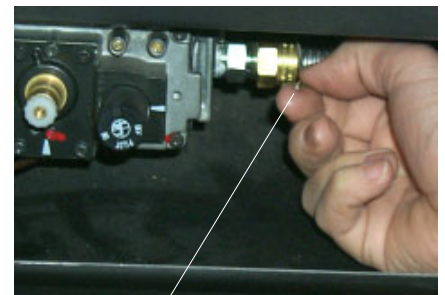
## AERATION ADJUSTMENT

The air shutter can be adjusted by moving the adjusting wire up or down. The wire is accessed through the bottom louver opening. Open the air shutter for a blue flame or close for a more yellow flame. The burner aeration is factory set but may need adjusting due to either the local gas supply or altitude.

**Minimum Air Shutter Opening:**  
3/16" Natural Gas  
Fully Open Propane

**CAUTION:** Carbon will be produced if air shutter is closed too much.

**Note:** Any damage due to carboning resulting from improperly setting the aeration controls is NOT covered under warranty.



Adjustment Wire - Pull down to open or push up to close aeration cap.

**Closed - Tall yellow**  
**Open - Short Blue**

**Note:** Aeration Adjustment should only be performed by an authorized Regency Installer at the time of installation or service.

# OPERATING INSTRUCTIONS

## NORMAL OPERATING SOUNDS OF GAS APPLIANCES

It is possible that you will hear some sounds from your gas appliance. This is perfectly normal due to the fact that there are various gauges and types of steel used within your appliance. Listed below are some examples. All are **normal operating sounds** and should not be considered as defects in your appliance.

### Blower:

Regency gas appliances use high tech blowers to push heated air farther into the room. It is not unusual for the fan to make a "whirring" sound when ON. This sound will increase or decrease in volume depending on the speed setting of your fan speed control.

### Burner Tray:

The burner tray is positioned directly under the burner tube and logs and is made of a different gauge material from the rest of the firebox and body. Therefore, the varying thicknesses of steel will expand and contract at slightly different rates which can cause "ticking" and "cracking" sounds. You should also be aware that as there are temperature changes within the unit these sounds will likely re-occur. Again, this is normal for steel fireboxes.

### Blower Thermodisc:

When this thermally activated switch turns ON it will create a small "clicking" sound. This is the switch contacts closing and is normal.

### Pilot Flame:

While the pilot flame is on it can make a very slight "whisper" sound.

### Gas Control Valve:

As the gas control valve turns ON and OFF, a dull clicking sound may be audible, this is normal operation of a gas regulator or valve.

### Unit Body/Firebox:

Different types and thicknesses of steel will expand and contract at different rates resulting in some "cracking" and "ticking" sounds will be heard throughout the cycling process.

## Copy of the Lighting Plate Instructions



### FOR YOUR SAFETY READ BEFORE LIGHTING

This appliance must be installed in accordance with local codes, if any; if none, follow the National Fuel Gas Code, ANSI Z223.1/NFPA 54, or Natural Gas and Propane Installation Codes, CSA B149.1. (Australia: AG601, New Zealand: NZS 5261)

**WARNING:** If you do not follow these instructions exactly, a fire or explosion may result causing property damage, personal injury or loss of life. Improper installation, adjustment, alteration, service or maintenance can cause injury or property damage. Refer to the owner's information manual provided with this appliance. For assistance or additional information consult a qualified installer, service agency or gas supplier.

A) This appliance has a pilot which must be lighted by hand. When lighting the pilot, follow these instructions exactly.

B) BEFORE LIGHTING smell all around the appliance area for gas. Be sure to smell next to the floor because some gas is heavier than air and will settle on the floor.

#### WHAT TO DO IF YOU SMELL GAS

- Do not try to light any appliance.
- Do not touch any electric switch, do not use any phone in your building.
- Immediately call your gas supplier from a neighbours phone. Follow the gas supplier's instructions.
- If you cannot reach your gas supplier, call the fire department.

C) Use only your hand to push in or turn the gas control knob. Never use tools. If the knob will not push in or turn by hand, don't try to repair it, call a qualified service technician. Force or attempted repair may result in a fire or explosion.



D) Do not use this appliance if any part has been under water. Immediately call a qualified service technician to inspect the appliance and to replace any part of the control system and any gas control which has been under water.

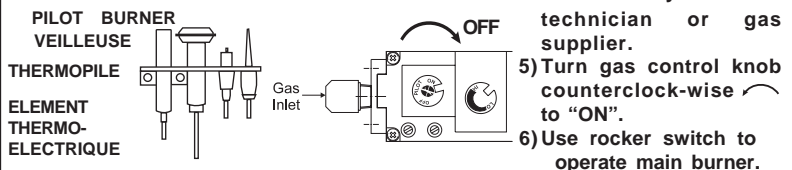
E) This appliance needs fresh air for safe operation and must be installed so there are provisions for adequate combustion and ventilation air.

**CAUTION:** Hot while in operation. Do not touch. Severe Burns may result. Due to high surface temperatures keep children, clothing and furniture, gasoline and other liquids having flammable vapors away. Keep burner and control compartment clean. See installation and operating instructions accompanying appliance.

### LIGHTING INSTRUCTIONS

**STOP!** Read the safety information 4) Push in control knob all the way and above on this label.

- 1) Push in gas control knob slightly and turn clockwise  to "OFF". Knob cannot be turned from "PILOT" to "OFF" unless knob is pushed in slightly. Do not force.
- 2) Wait five (5) minutes to clear out any gas. If you then smell gas STOP! Follow step "B" in the Safety Information above on this label. If you don't smell gas, go to the next step.
- 3) Turn knob on gas control counterclockwise  to "PILOT".



### TO TURN OFF GAS APPLIANCE

- You may shut off the pilot during prolonged non use periods to conserve fuel.
- 1) Push in the gas control knob slightly and turn clockwise  to "OFF". Do not force.
  - 2) Turn off all electric power to the appliance if service is to be performed.

**DO NOT REMOVE THIS INSTRUCTION PLATE** 908-017b

## MAINTENANCE INSTRUCTIONS

- 1) Always turn off the gas valve before cleaning. For relighting, refer to lighting instructions. Keep the burner and control compartment clean by brushing and vacuuming at least once a year. When cleaning the logs, use a soft clean paint brush as the logs are fragile and easily damaged.
- 2) Clean appliance and door with a damp cloth (never when unit is hot). Never use an abrasive cleaner. The glass should be cleaned with a gas fireplace glass cleaner. **The glass should be cleaned when it starts looking cloudy.**
- 3) The heater is finished in a heat resistant paint and should only be refinished with heat resistant paint. Regency uses Stove-Bright Paint - Metallic Black #6309.
- 4) Make a periodic check of burner for proper position and condition. Visually check the flame of the burner periodically, making sure the flames are steady; not lifting or floating. If there is a problem, call a qualified service person.
- 5) The appliance and venting system must be inspected before use, and at least annually, by a qualified field service person, to ensure that the flow of combustion and ventilation air is not obstructed.

**Note: Never operate the appliance without the glass properly secured in place.**

- 6) Do not use this appliance if any part has been under water. Immediately call a qualified service technician to inspect the appliance and to replace any part of the control system and any gas control which has been under water.
- 7) In the event this appliance has been serviced check that the vent-air system has been properly resealed & reinstalled in accordance with the manufacturer's instructions.
- 8) Verify operation after servicing.

### General Vent Maintenance

Conduct an inspection of the venting system semiannually. Recommended areas to inspect as follows:

- 1) Check the Venting System for corrosion in areas that are exposed to the elements. These will appear as rust spots or streaks, and in extreme cases, holes. These components should be replaced immediately.

- 2) Remove the Cap, and shine a flashlight down the Vent. Remove any bird nests, or other foreign material.
- 3) Check for evidences of excessive condensation, such as water droplets forming in the inner liner, and subsequently dripping out the joints. Continuous condensation can cause corrosion of caps, pipe, and fittings. It may be caused by having excessive lateral runs, too many elbows, and exterior portions of the system being exposed to cold weather.
- 4) Inspect joints, to verify that no pipe sections or fittings have been disturbed, and consequently loosened. Also check mechanical supports such as Wall Straps, or plumbers' tape for rigidity.

## LOG REPLACEMENT

The unit should never be used with broken logs. Turn off the gas valve and allow the unit to cool before opening door and carefully remove the logs. (The pilot light generates enough heat to burn someone.) If for any reason a log should need replacement, you must use the proper replacement log. The position of these logs must be as shown in the diagrams under Log Installation.

**Note: Improper positioning of logs may create carbon build-up and will severely alter the unit's performance which is not covered under warranty.**

## THERMOPILE/ THERMOCOUPLE

- 1) Open the Bottom Louvers or Grills. Remove the Top Louver or Grill.
- 2) Open and remove door.
- 3) Remove log set and embers.
- 4) Remove grate and burner.
- 5) Disconnect thermocouple by loosening nut from the valve with a 9mm wrench. Disconnect thermopile by loosening 2 screws marked TP on the valve.
- 6) Remove 2 screws from the pilot assembly and pull up far enough to be able to loosen the thermocouple or thermopile with a 7/16" wrench. NOTE: the pilot line is very fragile, use caution when pulling it up.

- 7) Drop the thermocouple or thermopile down through the extrusion and pull it out of the unit.
- 8) Reinstall the new ones in reverse order.

## GLASS GASKET

If the glass gasket requires replacement use a tadpole glass gasket (Part # 936-155).

## GOLD-PLATED LOUVERS

The 24 carat gold-plated finish on the louvers and trim requires little maintenance, and need only be cleaned with a damp cloth.

DO NOT use abrasive materials or chemical cleaners, as they may harm the finish and void the warranty.

**Clean any fingerprints off before turning the unit on.**

# MAINTENANCE

## DOOR GLASS

Your Regency fireplace is supplied with high temperature 5mm-Ceramic glass. If your glass requires cleaning, we recommend using an approved glass cleaner available at all authorized dealers. Do not use abrasive materials.

### CAUTION & WARNINGS:

- \* Do not clean when the glass is hot.
- \* The use of substitute glass will void all product warranties.
- \* Care must be taken to avoid breakage of the glass.
- \* Do not strike or abuse the glass.
- \* Do not operate this fireplace without the glass front or with a cracked or broken glass front.
- \* Wear gloves when removing damaged or broken glass.
- \* Replacement of the glass panel(s) should be done by a licensed or qualified service person.

### GLASS REPLACEMENT

In the event that you break your glass by impact, purchase your replacement from an authorized Regency dealer only.

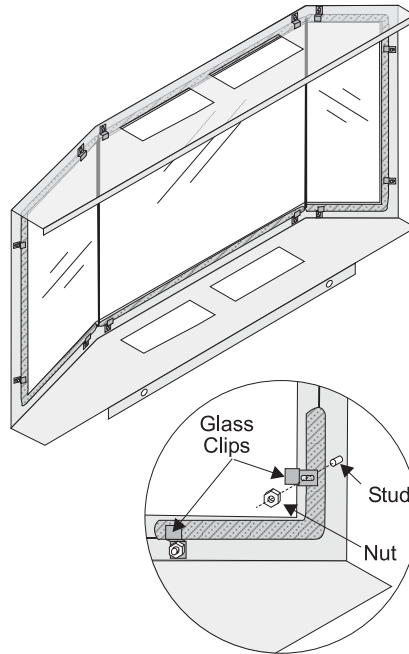
Replacement glass is shipped already installed into the door frame. Reinstall as per Glass Door Installation on page 28.

**CAUTION: Wear gloves when removing damaged or broken glass.**

**WARNING: Do not operate the appliance with the glass panels removed, cracked or broken. Replacement of the glass panels should be done by a licensed or qualified service person.**

## Bay Glass Replacement

- 1) Remove the door from the unit and place on a soft surface to prevent scratching.
- 2) Remove the nuts holding the glass clips in place and remove.
- 3) Replace the glass. **The glass must have gasketing around it.**



- 4) Reverse the previous steps, replace the glass clips and fasten with the nuts but do not over tighten, as this can break the glass.
- 5) Replace door on the stove and check the seal.

## INSTALLING VALVE

- 1) Attach the valve to the valve bracket with the 4 (m5x8 metric) screws provided.
  - 2) Reconnect the "gas out" flare fitting with an 11/16" wrench.
  - 3) Reconnect the "gas out" flare nut with a 13/16" wrench.
  - 4) Install piezo ignitor push button assembly and reconnect wire.
  - 5) Reconnect the quick drop out thermocouple nut with a 9mm wrench.
  - 6) Reconnect the pilot tube nut with a 7/16" wrench.
  - 7) Scrape off the old gasket from the floor of the firebox and from the valve tray assembly.
  - 8) Install a new gasket and reinstall the valve tray assembly.
- Note: Failure to install a new gasket may severely affect the appliance performance.**
- 9) Reinstall the 10 hold down screws.
  - 10) Hook up the 2 TP and 2 TH wires to the appropriate connections on the valve.
  - 11) Reinstall the two bottom deflectors and brick panels.
  - 12) Install burner and grate assembly.
  - 13) Hook up the gas line and check for gas leaks with a soap and water solution or a gas leak detector. (Do not use open flame for leak testing.)
  - 14) Fire up the unit temporarily.
  - 15) Check the manifold pressure.
  - 16) Reinstall the logs and brick panels as needed.
  - 17) Close the door and replace the louvers.
  - 18) Fire up the unit again and check for proper flame appearance and glow on logs.

## REMOVING VALVE

- 1) Shut off the gas supply.
- 2) Remove the louvers (and bay door if it has been installed).
- 3) Open the flush door and remove the door.
- 4) Remove the logs and side brick panels, if installed.
- 5) Remove the grate by lifting up and out.



Grate

- 6) Remove the burner by removing the screw on the left side and then slide the burner to the left and lift out.

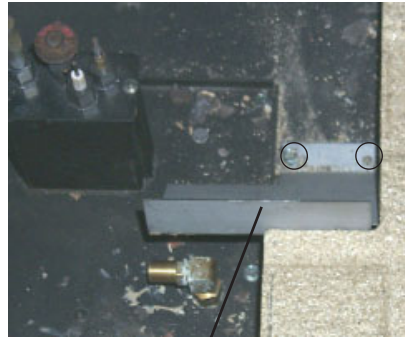


Remove the screw on the left side of the burner.

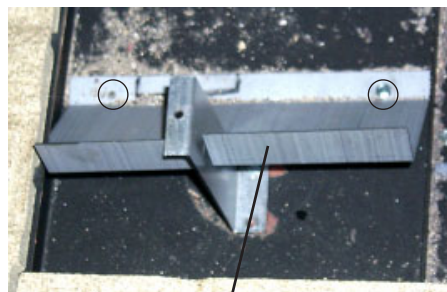


Slide the burner to the left and lift out.

- 7) Remove the right and left side deflectors by removing the 2 screws on each deflector.

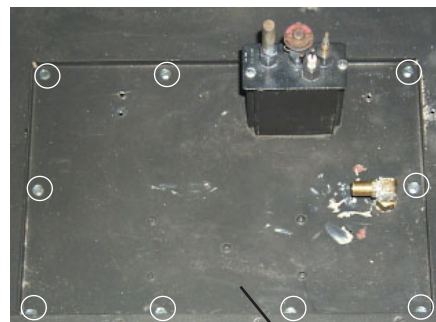


Right Side Deflector



Left Side Deflector

- 8) Remove the base brick panels.
- 9) Disconnect the inlet gas line.
- 10) Remove the 10 Phillips head screws securing the valve tray assembly in place and then lift the entire assembly out.

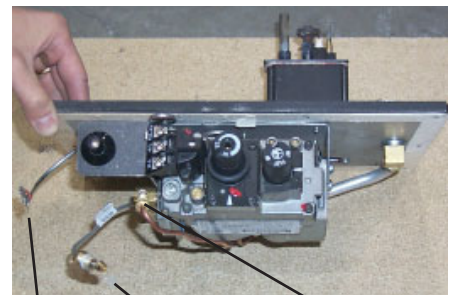


Valve Tray Assembly



Lift entire valve tray assembly out.

- 11) Disconnect the 2 TP wires and the 2 TH wires from the valve.
- 12) Undo the pilot tube from the valve with a 7/16" wrench.
- 13) Undo the quick drop out thermocouple nut on the valve with a 9mm (metric) wrench.
- 14) Remove the Piezo igniter wire and push button assembly.



Thermopile Wire Thermocouple Wire Pilot Nut

- 15) Undo the "gas out" flare nut with a 13/16" wrench.
- 16) Undo the "gas out" flare fitting with an 11/16" wrench.
- 17) Remove the 4 Phillips head screws from the sides of the valve bracket and remove valve.

**Hint:** If you are using black pipe, ensure that there is a union by the valve, otherwise removal will be almost impossible.

# PARTS LIST

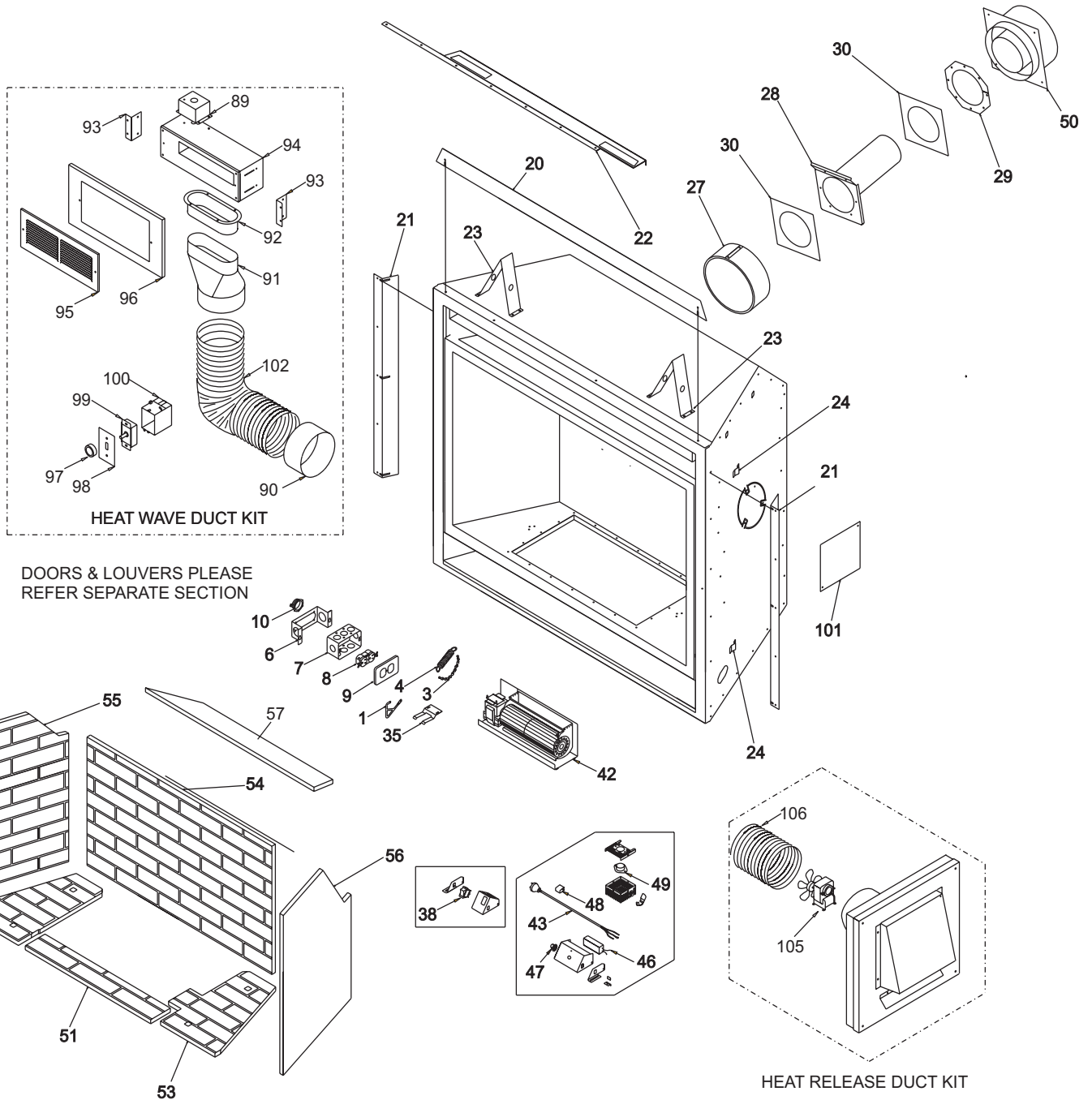
## P48 MAIN ASSEMBLY

Part #	Description	Part #	Description
1)	948-259 Door Handle	51)	902-331 Brick Panel - Base Center
3)	948-046 Chain	52)	902-332 Brick Panel - Base Left
4)	948-115 Spring	53)	902-333 Brick Panel - Base Right
6)	430-129 Receptacle Box Mount		370-928 Brick Panel Set - Standard
7)	910-429 Box - Receptacle	54)	902-334 Brick Panel - Back
8)	910-428 Duplex Receptacle	55)	902-335 Brick Panel - Left
9)	910-430 Cover - Receptacle	56)	902-336 Brick Panel - Right
10)	904-687 Clamp Connector	57)	902-582 Brick Panel - Top
20)	370-037 Top Nailing Strip		370-945 Herringbone Brick Panel Set
21)	370-038 Side Nailing Strip	902-364	Herringbone Brick Panel - Back
22)	370-015 Baffle Plate	902-365	Herringbone Brick Panel - Left
23)	780-011 Standoff - Top	902-366	Herringbone Brick Panel - Right
24)	780-013 Standoff - Side/Back	902-583	Herringbone Brick Panel - Top
27)	* Outer Flue Collar	370-901	Brick Panel Set - Standard Brown
28)	* Inner Flue Collar Assy	370-902	Brick Panel Set - Standard Red
29)	* Flue Mounting Plate	370-903	Brick Panel Set - Herringbone Brown
30)	* Gasket for Flue Collar	370-904	Brick Panel Set - Herringbone Red
35)	* Thermodisc Bracket		946-556 Optional Heat Wave Duct Kit
38)	910-241 Switch - Burner ON/OFF(3-way)	89)	946-004 Junction Box
	910-899 Wire Harness-Valve to Burner	90)	946-000 Round Duct Adaptor
	432-917 Fan & Speed Control Assy (120 Volts) Optional	91)	946-002 Round to Oval Adaptor
42)	910-331/P Fan Motor	92)	946-001 Oval Duct Adaptor
	432-966 Fan Switch Assy (120 Volts) Optional	93)	946-007 Angle Bracket
43)	910-813 Power Cord (120 Volts)	94)	946-517/P Fan Assembly - HeatWave Option
46)	910-330 Fan Speed Control Switch	95)	946-006 Grill Plate - White
47)	904-586 Knob - Speed Control	96)	946-005/01 Wall Adaptor Plate - White
48)	910-199 Wire Holder Clip	97)	910-417 Knob - White
49)	910-142 Thermodisc - Fan (Auto ON/OFF)	98)	910-366 Switch Cover Plate - White
	910-845 Wire Harness - Plug In Fan	99)	910-412 Fan Speed Controller
50)	370-994 Optional Dura-Vent Adaptor	100)	910-367 Box - Plastic Switch Receptacle
		101)	690-022 Cover Plate - Outer Box Side
		102)	946-010 Flexible Air Duct
			946-011 Insulation 6" dia. x 24"
			946-570 Heat Release Duct Kit (Optional)
		105)	910-165 Fan (120 Volts)
		106)	946-000 Flexible Air Release Duct
			370-969 Conversion Kit - NG to LP
			918-177 Manual

\*Not available as a replacement part.



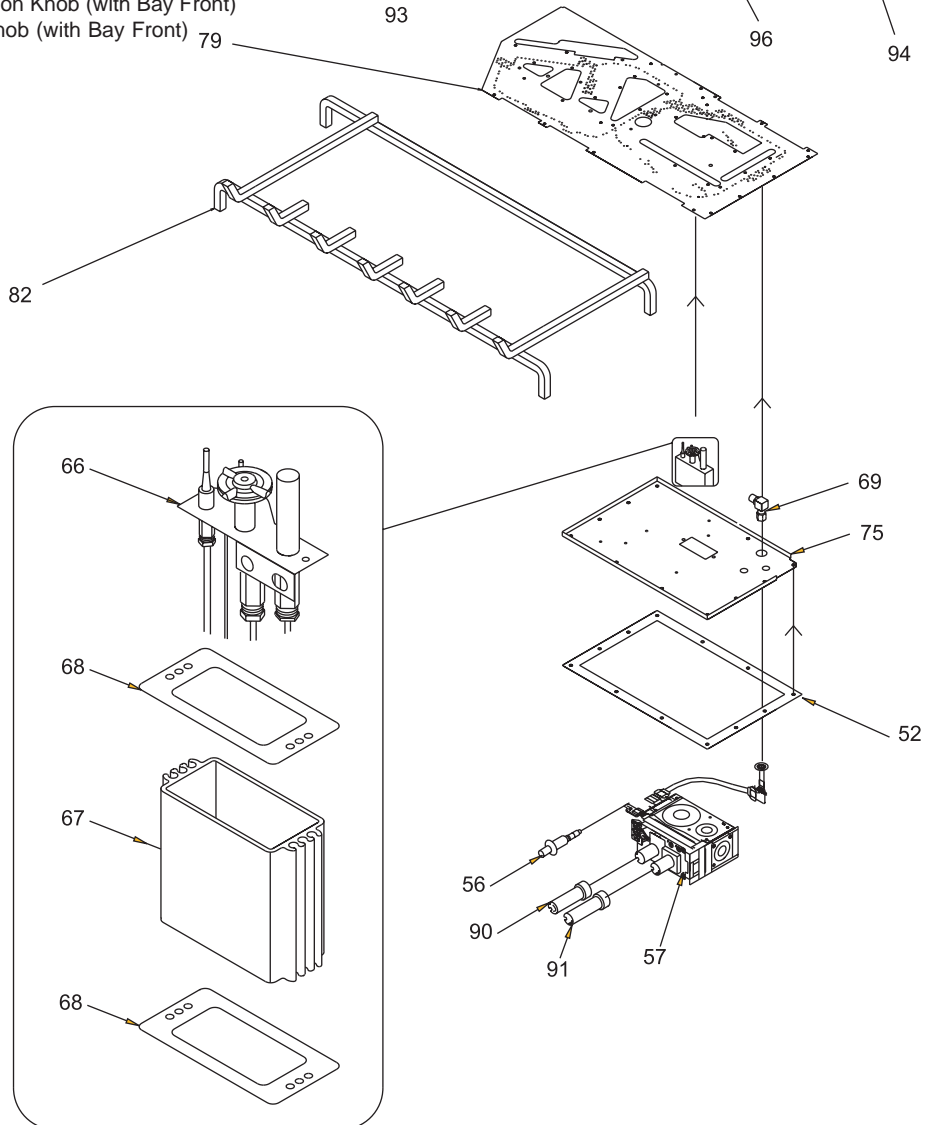
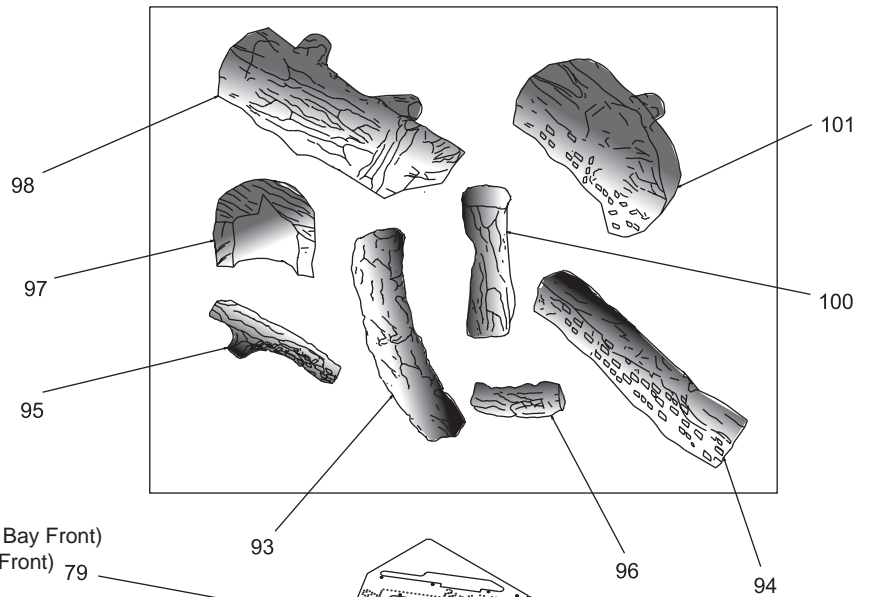
# PARTS LIST



# PARTS LIST

## P48 BURNER & LOG ASSEMBLY

Part #	Description
370-574/P	Valve Assembly - Natural Gas
370-576/P	Valve Assembly - Propane
52) *	Gasket - Valve Access Plate
56)	910-190 Piezo Ignitor & Nut
57)	910-378 Valve S.I.T. - Natural Gas
	910-380 Valve S.I.T. - Propane
66)	910-038 Pilot Assy - S.I.T. - 3 Flame NG
	910-039 Pilot Assy - S.I.T. - 3 Flame LP
67)	* Pilot Holder
68)	W840470 Pilot Assembly Gasket
69)	904-662 #27 Orifice - N.G.
	904-434 #47 Orifice - Propane
	936-170 Orifice Gasket
75)	* Valve Access Plate
79)	370-535 Burner Assembly
82)	370-019 Burner/Grate Assembly
90)	910-421 Pilot ON/OFF Extension Knob (with Bay Front)
91)	910-422 HI/LOW Extension Knob (with Bay Front)
	370-930 P48 Log Set
93)	902-338 Center Cross Log
94)	902-339 Right Side Cross Log
95)	902-340 Front Left Side Log
96)	902-341 Front Right Side Log
97)	902-342 Left Side End Log
98)	902-343 Rear Log
100)	902-344 Middle Right Side Log
101)	902-345 Right Side End Log

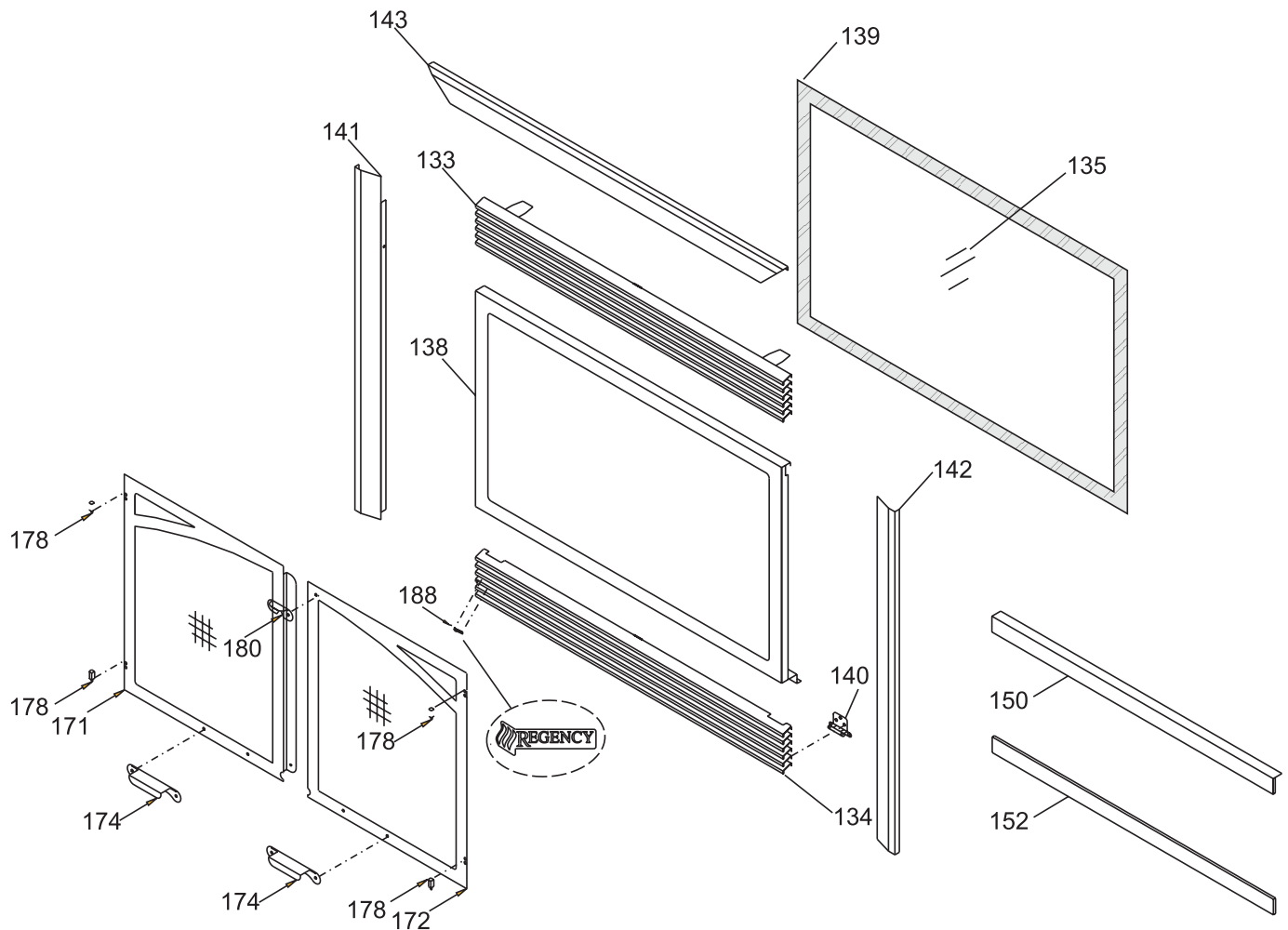


\*Not available as a replacement part.

## P48 FLUSH DOOR & LOUVERS

Part #	Description	Part #	Description
370-925	Flush Louvers (Set) - Steel/Black	150) *	Flush Glass Trim
370-924	Flush Louvers (Set) - Black	370-920	Flush Glass Trim (Set) - Steel
370-926	Flush Louvers (Set) - Gold/Black	370-922	Flush Glass Trim (Set) - Gold
133) *	Flush Louver Assembly - Top	904-196	Magnet
134) *	Flush Louver Assembly - Bottom		
		370-933	Double Screen Door (Complete)
370-518/P	Flush Door Assembly Complete	171) *	Door Frame Assembly - Left
135) 940-335/P	Glass (Flush)	172) *	Door Frame Assembly - Right
138) *	Flush Door Frame	174) 511-085	Handle
139) 936-155	Glass Gasket (Tadpole)	178) 948-257	Lift Hinge on Door
		180) 512-546	Door Latch Assembly
140) 948-042	Spring Hinge		
		188) 948-216	Regency Logo Plate
370-944	Finishing Trim - Black		
370-946	Finishing Trim - Steel		
141) *	Trim Side Left		
142) *	Trim Side Right		
143) *	Trim Top		

\*Not available as a replacement part.

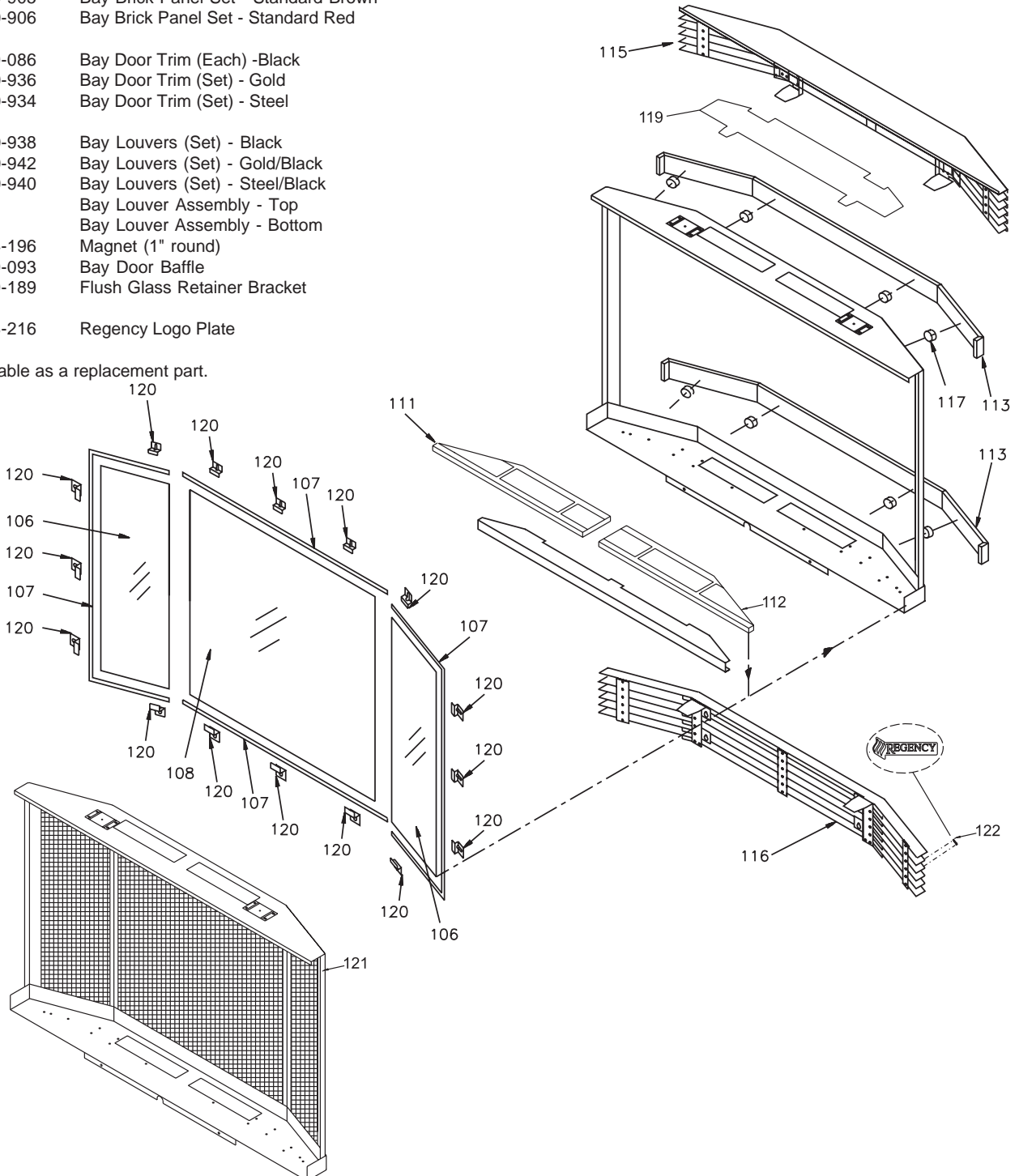


# PARTS LIST

## P48 BAY FRONT & LOUVERS

Part #	Description
370-931	Bay Front Complete with Glass & Black Trim
370-932	Bay Front Screen & Black Trim
106)	940-337/P Side Glass
107)	936-243 Glass Gasket
108)	940-336/P Center Glass
111)	902-362 Brick Panel - Left Side Bay
112)	902-363 Brick Panel - Right Side Bay
370-905	Bay Brick Panel Set - Standard Brown
370-906	Bay Brick Panel Set - Standard Red
113)	370-086 Bay Door Trim (Each) -Black
370-936	Bay Door Trim (Set) - Gold
370-934	Bay Door Trim (Set) - Steel
370-938	Bay Louvers (Set) - Black
370-942	Bay Louvers (Set) - Gold/Black
370-940	Bay Louvers (Set) - Steel/Black
115)	* Bay Louver Assembly - Top
116)	* Bay Louver Assembly - Bottom
117)	904-196 Magnet (1" round)
119)	370-093 Bay Door Baffle
120)	400-189 Flush Glass Retainer Bracket
122)	948-216 Regency Logo Plate

\*Not available as a replacement part.









Regency Fireplace Products are designed with reliability and simplicity in mind. In addition, our internal Quality Assurance Team carefully inspects each unit thoroughly before it leaves our facility. FPI Fireplace Products International Ltd. is pleased to extend this limited lifetime warranty to the original purchaser of a Regency Product. This warranty is not transferable.

**The Warranty:** Limited Lifetime

The combustion chamber, heat exchanger, burner tubes/pans, logs, brick panels and gold plating (against defective manufacture only) are covered under the Limited Lifetime Warranty for five (5) years for parts and subsidized labour\* and parts only thereafter.

Glass is covered for lifetime against thermal breakage only, parts and subsidized labour\* for five (5) years and parts only thereafter from date of purchase.

External casting, surrounds and grills are covered against cracks and warps resulting from manufacturer defects, parts and subsidized labour\* for three (3) years from the date of purchase and parts only thereafter.

Special Finishes - One year on brushed nickel and antique copper full screens and doors. You can expect some changes in color as the product "ages" with constant heating and cooling. FPI warrants the product for any manufacturing defects on the original product. However, the manufacturers warranty does not cover changing colors and marks, ie. finger prints, etc applied after the purchase of the product. Damage from the use of abrasive cleaners is not covered by warranty.

Electrical and mechanical components such as blowers, switches, wiring, thermodiscs, FPI remote controls, spill switches, thermopiles, thermocouples, pilot assembly components, and gas valves are covered for one year parts and subsidized labour\* from the date of purchase. Blowers and valves replaced under warranty are considered repairs and continue as if new with appliance. ie. twelve (12) months from original purchase date of appliance with a minimum of three (3) months coverage from date of replacement.

FPI venting components are covered parts and subsidized labour\* for three (3) years from date of purchase.

Simpson Dura-Vent venting components (Direct Vent units) are covered by Simpson Dura-Vent Inc. warranty.

**Conditions:**

Any part or parts of this unit which in our judgement show evidence of such defects will be repaired or replaced at FPI's option, through an accredited distributor or agent provided that the defective part be returned to the distributor or agent Transportation Prepaid, if requested.

Porcelain/Enamel - Absolute perfection is either guaranteed nor commercially possible. Any chips must be reported and inspected by an authorized dealer within three days of installation. Reported damage after this time will be subject to rejection.

It is the general practice of FPI to charge for larger, higher priced replacement parts and issue credit once the replaced component has been returned to FPI and evaluated for manufacturer defect.

The authorized selling dealer is responsible for all in-field service work carried out on your Regency product. FPI will not be liable for results or costs of workmanship from unauthorized service persons or dealers.

At all times FPI reserves the right to inspect product in the field which is claimed to be defective.

All claims must be submitted to FPI by authorized selling dealers. It is essential that all submitted claims provide all of the necessary information including customer name, purchase date, serial #, type of unit, problem, and part or parts requested, without this information the warranty will be invalid.

**Exclusions:**

This limited Lifetime Warranty does not extend to or include paint, door or glass gasketing or trim.

At no time will FPI be liable for any consequential damages which exceed the purchase price of the unit. FPI has no obligation to enhance or modify any unit once manufactured. ie. as products evolve, field modifications or upgrades will not be performed.

FPI will not be liable for travel costs for service work.

Installation and environmental problems are not the responsibility of the manufacturer and therefore are not covered under the terms of this warranty policy.

Embers, rockwool, gaskets, door handles and paint are not covered under the terms of this warranty policy.

Any unit which shows signs of neglect or misuse is not covered under the terms of this warranty policy.

The warranty will not extend to any part which has been tampered with or altered in any way, or in our judgment has been subject to misuse, improper installation, negligence or accident, spillage or downdrafts caused by environmental or geographical conditions, inadequate ventilation, excessive offsets, negative air pressure caused by mechanical systems such as furnaces, fans, clothes dryer, etc.

Freight damage to stoves and replacement parts is not covered by warranty and is subject to a claim against the freight carrier by the dealer.

FPI will not be liable for acts of God, or acts of terrorism, which cause malfunction of the appliance.

Performance problems due to operator error will not be covered by this warranty policy.

Products made or provided by other manufacturers and used in conjunction with the operation of this appliance without prior authorization from FPI, may nullify your warranty on this product.

Any alteration to the unit which causes sooting or carboning that results in damage to the interior / exterior facia is not the responsibility of FPI.

\* Subsidy according to job scale as predetermined by FPI.



Regency fireplace products are designed with reliability and simplicity in mind. In addition, our internal Quality Assurance Team carefully inspects each unit thoroughly before it leaves our door.

Fireplace Products International Ltd. is pleased to extend this Limited Lifetime Warranty to the original purchaser of a Regency Product.

See the inside back cover for details.

Register your Regency online at  
<http://www.regency-fire.com>

*Installer: Please complete the following information*

Dealer Name & Address: \_\_\_\_\_  
\_\_\_\_\_

Installer: \_\_\_\_\_

Phone #: \_\_\_\_\_

Date Installed: \_\_\_\_\_

Serial No.: \_\_\_\_\_