



ELECTRIC INSERTS & FIREPLACES



regency-fire.com

WHY CHOOSE REGENCY?

Regency has established itself as a provider of high-quality products for more than 40 years. As a result, our customers are able to choose from a diverse range of premium and sustainable heating options and enjoy durable products that last a lifetime.

SAFE FOR KIDS

Regency's new electric fireplaces provide the comfort and ambiance of a traditional fireplace without the need for gas lines and vents. Since there is no combustion, the glass does not heat up which makes it fitting for kid-friendly environments.

HIGH RISE FRIENDLY

With electric fireplaces, there is no need for fuel lines, chimneys, or exterior venting which allows them to be installed into virtually any space. As a result, they are the perfect candidate for apartments and condos.

EASY INSTALLATION

Choose between a plug or hardwire kit (provided with each fireplace), to have endless spaces as installation options. This trouble-free installation also presents benefits in the form of cost savings and minimal time to set up.

Why Regency? Because it's *more* than a fireplace!



TABLE OF CONTENTS

Regency Atmosphere LCD Electric Inserts Ei29LCD, Ei33LCD	06
Regency Atmosphere Electric Inserts Ei25, Ei29, Ei33	08
Regency Electric Fireplaces E36LCD, E800LCD	10
Regency Studio Fireplaces ES105, ES135, ES165	12
Regency Onyx Fireplaces EX110, EX150, EX190	16
Regency Avita Fireplaces EXA120, EXA160, EXA190	20
Specifications	30

Electric Inserts

Transform Your Space •



FRONT OPTIONS



3-sided & 4-sided
Finishing Trim (included)



Flush 3-Sided Faceplate



Flush 4-Sided Faceplate



Oversize Backing Plate

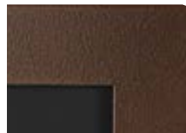
PREMIUM SURROUNDS



Black



White



Sunset Bronze



Grey

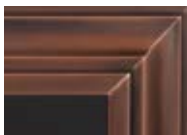


Brushed Nickel

TRADITIONAL SURROUNDS



Black



Brushed Antique Copper

CUSTOM FACEPLATES



Custom 3-sided Faceplate



Custom 4-sided Faceplate

LOG SET OPTIONS



Split Oak



Birch



Driftwood

Electric Inserts

Flames so realistic, you'll forget it's electric! The Regency lineup of modern electric inserts combines expert craftsmanship with sleek, contemporary design. Enhanced flame effects and extra-deep beds of lifelike logs or crystals create stunning depth and realism. Featuring advanced Chromalight LED technology with a wide range of lighting combinations, these inserts deliver captivating visuals and a true 3D flame experience. With high-efficiency heating, a clean modern look, and easy installation, Regency electric inserts are an effortless choice for comfort and style.



E133LCD shown with 3-sided finishing trim and Split Oak log set.

REGENCY ATMOSPHERE Ei29LCD

Premium Electric Insert



Ei29LCD shown with flush 3-sided faceplate, premium white surround and driftwood logs.

FEATURES

- Option to install as a 5,000 BTU heater with 120V and combustible materials, or 9,500 BTU heater with 240V and non-combustible materials
- LCD screen with 9 unique flame options, spark effects, and crackling sounds
- Top-down lighting enhances realism and reflection on the log set, providing a sense of depth
- 14 fuel bed colour options and 5 levels of brightness
- Pick one colour to suit your vibe or automatically cycle through them all
- Customize your look with split oak, birch, or driftwood-style log sets
- Included remote control to adjust the power, heater, flames, brightness, and desired temperature
- Option to control the power, flame, and heater with discreet integrated buttons
- 3 and 4-sided finishing trims are included, for an easy out-of-the-box install

DIMENSIONS

Width (front)	29-1/2"
Width (back)	22-15/16"
Height	19-7/8"
Depth	12"

REGENCY ATMOSPHERE Ei33LCD

Premium Electric Insert



Ei33LCD shown with 4 Sided trim and Split Oak log set

FEATURES

- Option to install as a 5,000 BTU heater with 120V and combustible materials, or 9,500 BTU heater with 240V and non-combustible materials
- LCD screen with 9 unique flame options, spark effects, and crackling sounds
- Top-down lighting enhances realism and reflection on the log set, providing a sense of depth
- 14 fuel bed colour options and 5 levels of brightness
- Pick one colour to suit your vibe or automatically cycle through them all
- Customize your look with split oak, birch, or driftwood-style log sets
- Included remote control to adjust the power, heater, flames, brightness, and desired temperature
- Option to control the power, flame, and heater with discreet integrated buttons
- 3 and 4-sided finishing trims are included, for an easy out-of-the-box install

DIMENSIONS

Width (front)	33-3/8"
Width (back)	26-7/8"
Height	24"
Depth	11-5/8"

REGENCY ATMOSPHERE Ei25 • Ei29 • Ei33

Small, Medium and Large Electric Inserts



Ei29 shown with 3 sided flush faceplate and Split Oak log set

FEATURES

- Option to install as a 5,000 BTU heater or 9,500 BTU heater
- High-impact, realistic orange & red flame pattern that provides the utmost realism with 5 levels of brightness
- Top-down lighting enhances realism and reflection on the log set, providing a sense of depth
- Pulsing, Dynamic Fuel Bed lighting with a spectrum of different colours to enhance your mood with 5 levels of brightness
- High-definition, 3D Layered Oak log set complete with Charcoal Logs, Embers, Ginger Crystals & Grate - the most realistic electric media package in the industry
- Customize your look with a hand-crafted artisan birch or driftwood-style log set
- Included thermostatic remote control to adjust the power, heater, flames, brightness and desired temperature
- Option to control the power, flame and heater with discreetly integrated buttons
- 3 and 4-sided finishing trims are included, for an easy out-of-the-box install

FLAME VIEWING AREA

Ei25	24-11/16" W x 15-7/8" H
Ei29	28-11/16" W x 18-7/8" H
Ei33	32-11/16" W x 22-7/8" H



Ei33 shown with 3 sided flush faceplate, Sunset Bronze surround and Split Oak log set



Ei25 shown with 3 sided finishing trim and Birch log set

REGENCY ATMOSPHERE E36LCD

Electric Fireplace



E36LCD show with oak logs

Featuring all the benefits of the Atmosphere lineup, the E36LCD brings breathtaking beauty and flame pictures to our electric fireplace lineup. Offering a new perspective, this rectangular unit compliments our existing electric fireplace lineup beautifully, offering a new style, premium log sets, 14 fuel bed options, 9 flame settings, and so much more.

FEATURES

- Option to install as a 5,000 BTU heater with 120V and combustible materials, or 9,500 BTU heater with 240V and non-combustible materials
- LCD screen with 9 unique flame options, spark effects, and crackling sounds
- Top-down lighting enhances realism and reflection on the log set, providing a sense of depth
- 14 fuel bed colour options and 5 levels of brightness
- Pick one colour to suit your vibe or automatically cycle through them all
- Customize your look with split oak, birch, or driftwood-style log sets
- Included remote control to adjust the power, heater, flames, brightness, and desired temperature
- Option to control the power, flame, and heater with discreet integrated buttons
- 3 and 4-sided finishing trims are included, for an easy out-of-the-box install

DIMENSIONS

Width (front)	36-5/16"
Width (back)	29-13/16"
Height	25-13/16"
Depth	11-5/8"

REGENCY GRANDVIEW E800LCD

Electric Fireplace



E800LCD shown with oak logs

The Grandview E800LCD brings the design flexibility and customization from our popular Gas Fireplaces to our brand-new electric fireplace line. Combined with a true-to-life LCD flame package and high-definition, robust log set, the E800LCD delivers the most realistic fireplace experience from an electric fireplace.

FEATURES

- Option to install as a 5,000 BTU heater with 120V and combustible materials, or 9,500 BTU heater with 240V and non-combustible materials
- LCD screen with 9 unique flame options, spark effects, and crackling sounds
- Top-down lighting enhances realism and reflection on the log set, providing a sense of depth
- 14 fuel bed colour options and 5 levels of brightness
- Pick one colour to suit your vibe or automatically cycle through them all
- Customize your look with split oak, birch, or driftwood-style log sets
- Included remote control to adjust the power, heater, flames, brightness, and desired temperature
- Option to control the power, flame, and heater with discreet integrated buttons
- 3 and 4-sided finishing trims are included, for an easy out-of-the-box install

DIMENSIONS

Width	33-3/4"
Height	36-3/8"
Depth	11-7/8"



Studio Fireplaces

Enchanting Flame Visuals •

Studio Electric Fireplaces

Mesmerizing flame visuals. Ultra-realistic, artisanal log sets. Atmospheric mood lighting. The Studio collection brings all this and so much more to your living room at the touch of a button.

The Studio's remarkably realistic fuel effects are the result of our decades of experience working with real wood burning stoves and fires. For the utmost realism, sections of the log sets glow when the fire's flames and ember bed are activated, just like real burning logs. All Studio sizes come with a Split Oak log set. For a unique touch, an optional Birch log set creates an alternative but equally captivating display.

CHOOSE YOUR SIZE

Available in three sizes, the convenience of electric heat can be added to even the smallest spaces of your home.



Studio ES105
44" W x 19" H x 8" D



Studio ES135
56" W x 19" H x 8" D



Studio ES165
65" W x 19" H x 8" D

IMMERSIVE EMBER BED UP-LIGHTING

The Studio's Chromalight up-lighting system shines through the fire's fuel bed and illuminates the log set from below. In addition to a natural amber glow, the ember bed up-lighting can be set to a range of different colours to create a bespoke display. There is also the gradually changing Spectrum mode, which transitions through each colour.

ENCHANTING FLAME VISUALS

Flame effects can be customized to suit your mood, with three combinations of varying tones and intensity settings. Choose from a vibrant flame picture that casts a rich glow over a darkened room, or opt for some background ambiance – great for when you're watching a movie.



REGENCY STUDIO ES105 • ES135 • ES165

Single-Sided Electric Fireplaces



Studio ES105 (40") with a Birch Log Set

FEATURES

- Enjoy the cozy ambiance of a stunning 13" glass viewing height
 - Multi-Colour LED Lighting
 - Life-like glowing ember bed with an artfully crafted oak log set & ember media (included)
 - Thermostatic remote control (included) can be set, adjusted, and programmed (daily & weekly) to turn the fireplace on or off at your desired temperature and time
 - A 5,000 BTU electric heater paired with a blower to heat your home efficiently & sustainably
 - Fully recessed with a clean trim providing a contemporary style
 - Optional realistic birch log set
 - Optional mood lighting kit with up to 10ft of LED strip lights (per kit)
- See Page 20 for details

FLAME VIEWING AREA

ES105	40" W x 13" H
ES135	52" W x 13" H
ES165	62" W x 13" H



Studio ES165 (62") with a Birch log set



Studio ES135 (52") with a Split Oak log set



Onyx Fireplaces

Experience the Exceptional •

Onyx Electric Fireplaces

The Onyx line delivers on a new definition of electric fire innovation. The finest crisp flame visuals appear to dance and soar between true-to-life log sets, dynamically lit from all angles for absolute immersion. But the Onyx is far more than an electric fire. Layer upon layer of visual technology weaves a palette of captivating lighting effects, which can be adjusted to transform your space. The result? An ethereal experience tailored to every mood that will leave you in awe.

CHOOSE YOUR SIZE

The Onyx fireplace is designed to work with your style and interior décor.

Available in three sizes, each fire can be installed in a variety of ways to create a statement focal point in your home.



Onyx EX110

45" W x 25" H x 13" D



Onyx EX150

61" W x 25" H x 13" D



Onyx EX190

78" W x 25" H x 13" D

Single, left or right corner, and three-sided options - all from the same fire.



Single-sided



Single sided



Two-sided corner



Left sided

Right sided



Three-sided



Three sided



REGENCY ONYX EX110 • EX150 • EX190

Single-Sided or Multi-Sided Electric Fireplaces



Onyx EX110 (43") with a Split Oak log set, installed as a two-sided corner fireplace

FEATURES

- Elevate any living space with a luxurious 17" glass viewing height
- 1-Sided Linear, 2-Sided Corner, or 3-Sided Bay installation options
- Programmable app control on iOS and Android devices
- Life-like glowing ember bed with an artfully crafted oak log set and ember media (included)
- A 5,000 BTU electric heater paired with a blower to heat your home efficiently and sustainably
- Chromalight® Plus Designer LED System
- Thermostatic remote control (included) can be used to set a timer and adjust to your desired temperature
- Use the app to set, adjust, and program the fireplace (daily and weekly) to turn on or off at your desired temperature and time
- Fully recessed without the need for trims providing a high-end contemporary style
- Optional realistic Birch log set
- Optional mood lighting kit with up to 10ft of LED strip lights (per kit)

FLAME VIEWING AREA

EX110	43" W x 17" H
EX150	59" W x 17" H
EX190	75" W x 17" H



Onyx EX190 (75") with a Birch log set, installed as a two-sided corner fireplace



Onyx EX150 (59") with a Split Oak log set, installed as a three-sided fireplace



Avita Fireplaces

Ambiance on Command •

Avita Electric Fireplaces

Introducing the Avita: where cutting-edge innovation meets timeless elegance. The Avita is not merely an electric fireplace – it's a statement of refined living. Crafted to encapsulate the life and soul of a real log fire, its immersive flame visuals and ambient lighting bring evocative realism, with or without the heat. With next-generation technology at its core, the Avita represents a new age of ultra-realistic luxury electric fire design. Premium non-reflective glass ensures a spectacular view of the highly realistic oak log-effects, brought to life with internal log lighting, a glimmering crystalline ember-bed, and a host of lighting options.

CHOOSE YOUR SIZE

Thoughtfully designed to complement your interior style and décor, the Avita is available in three sizes. Choose how to install your Avita, including single, left or right corner, and three-sided panoramic options – all from the same fire.



Avita EXA120

48" W x 22-7/8" H x 12-1/2" D



Avita EXA160

64" W x 22-7/8" H x 12-1/2" D



Avita EXA190

75" W x 22-7/8" H x 12-1/2" D

Single, left or right corner, and three-sided options - all from the same fire.



Single-sided



Single sided



Two-sided corner



Left sided
Right sided



Three-sided



Three sided



REGENCY AVITA EXA120 • EXA160 • EXA190

Multi-Sided Electric Fireplaces



Avita EXA160 (64") installed as a two-sided corner fireplace.

FEATURES

- Three sizes available: 48", 64" and 75"
- 1-Sided Linear, 2-Sided Corner, or 3-Sided Bay installation options
- Option to install as a 5,000 BTU heater with 120V or 9,500 BTU heater with 240V (Hardware Only)
- Chromalight® Plus LED System
- Internal log lighting, glowing ember bed and host of flame visual options
- Internally lit split Oak log-effect with pulsing effects
- Crackling fireside sound-effect setting
- Remote, Touch Panel and App Control
- Premium non-reflective glass
- Optional Mood Lighting System
- Crystalline textured base
- Ecodesign Energy Saving Features
- Fan-only mode, delivering gentle air circulation
- Comes with Edge+ finishing frame for single-sided installations
- Flames can be enjoyed with or without the heat

FLAME VIEWING AREA

Avita 120	48" W x 18" H
Avita 160	64" W x 18" H
Avita 190	75" W x 18" H





Avita EXA190 (75") installed as a three-sided fireplace



Avita EXA120 (48") installed as a single-sided fireplace.



Convenient Control •

Both the innovative App and Remote Control allow you to adjust the Regency Electric Fireplace's array of Chromalight® visuals and convenient heating settings.

NOTE: App is not available for Studio Fireplaces. Not all functions are available on Skope & Studio Fireplaces. Refer to specific product manuals for detailed remote functions.

MAIN FLAME AND FLAME PALETTE

The primary and secondary flames can be independently set to eight different colours or the Spectrum Mode, a rolling cycle that gradually transitions through all colours. Speed and brightness can be tailored to create a customized visual.

GLOWING EMBERS

Beneath the logs and ember effects, the up-lighting LEDs can be set to eight colours to either match or contrast with the flames. Like the flames, there is also a Spectrum Mode to cycle through each colour as well as adjustable brightness for all settings.

NATURAL LOG LIGHTING

Burnt Ember Logs illuminate the Oak or Birch log sets, and feature 12 colours and a Spectrum Mode setting with adjustable brightness.

DOWN-LIGHTING

Hidden in the top of the firebox are discreet down lighting LEDs which bathe the fuel effects in eight different hues to either match or contrast with the other settings, adding to the immersion.

SYNCHRONISE VISUALS

The Sync feature lets you synchronise the Ember bed up-lighting and down-lighting with the Main Flame colour, to easily create a corresponding display.

QUICK START PRE-SETS

Need instant ambiance? Select from any of the six stunning pre-sets ranging from natural to contemporary. You can also save up to three custom combinations with your preferred settings for easy access.



OPTIONAL MOOD LIGHTING

Effortlessly control the optional Mood Lighting system using either the remote control or the app. Choose from 13 different colours or the gradually changing Spectrum mode to transition through each colour.

ADAPTIVE START CONTROL

Adaptive Start allows the fireplace to automatically turn on up to 45 minutes in advance of a pre-set time to reach the desired room temperature, ready for when you sit down and relax.

TIMERS AND SCHEDULING

The fireplace also allows you to programme individual day and weekly schedules for both flames and heat, providing warmth or ambience exactly when you want it.

OPEN WINDOW DETECTION

Should ambient room temperatures drop by 4°C within a space of five minutes, like when a window is opened, the fireplace's heater will automatically turn off to save energy. Heating can be easily resumed with the remote control or app.

THERMOSTATIC HEATING

Choose your preferred room temperature and the fireplace does the rest for you. Select between 15°C and 25°C and the fire's 1.5 kW heater will adjust its power to reach the desired level as efficiently as possible. Turn off the heat entirely to enjoy the visuals during the warmer months.



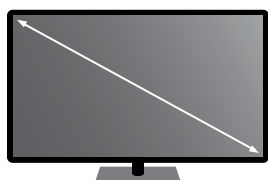
Fireplace & TV Size Guide •



SUGGESTED SIZING FOR YOUR FIREPLACE AND TV

Choosing the size of your electric fireplace and your TV will come down to both the space you have available and your personal preference. Actual TV sizes vary across manufacturers, and the way your TV is fitted (for example into a cavity recess) will also impact the way it looks in relation to your Regency fireplace. Your retailer will often be able to help you size up your fireplace and TV to achieve the perfect look.

MODEL	ONYX			AVITA			STUDIO		
PRODUCT NAME	EX110	EX150	EX190	EXA120	EXA160	EXA190	ES105	ES135	ES165
TV SIZE*	43" – 55"	55" – 65"	65" – 75"	43" – 55"	50" – 65"	55" – 65"	43" – 55"	50" – 65"	65" – 75"



*TV sizes refer to the standard diagonal screen dimension that TV manufacturers state when describing the size of their products. If sizing your existing flat screen TV, measure diagonally from the top left of the screen to the bottom right to find the TV's advertised size. We also recommend measuring the width and height of your TV to ensure adequate proportions that align with your desired electric fireplace model and size.



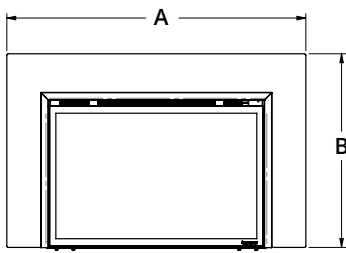
Features & Accessories •

FEATURES AND ACCESSORIES

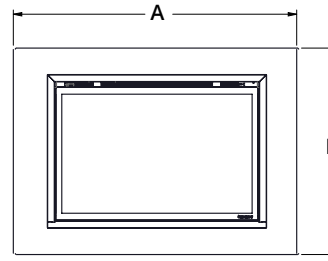
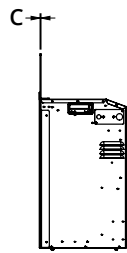
ACCESSORIES		STUDIO	ONYX	AVITA
Fireplace Type	Single-Sided	✓	•	•
	Single-Sided or Multi-Sided	•	✓	✓
Sizes		41" / 53" / 65"	43" / 59" / 75"	48" / 64" / 75"
Glass Viewing Area Height		13"	17"	17-3/4"
Depth		7.75"	13.25"	12.5"
Remote Control		✓	✓	✓
App Control		•	✓	✓
Touch Panel Control		•	•	✓
Flame Colours	3 Colours	✓	•	•
	Fully Adjustable Multi-Colour	•	✓	✓
	Adjustable Brightness	✓	✓	✓
Flame Speed	Fixed Speed	✓	•	✓
	Fully Adjustable	•	✓	•
Down-Lighting	Multi-Colour	•	✓	✓
	Adjustable Brightness	•	✓	✓
Fuel Bed	Logs + Ember Media	✓	✓	✓
	Crystal Ice Media	•	•	•
	Hidden Log Lighting System	•	✓	✓
	Adjustable Brightness	✓	✓	✓
Birch Fuel Effect		★	★	•
Fan		✓	✓	✓
Finishing Trim		✓	✓	✓
Mood Lighting Kit		★	★	★
Wall Mounting Bracket		•	✓	✓

- Not available
- ✓ Standard
- ★ Optional

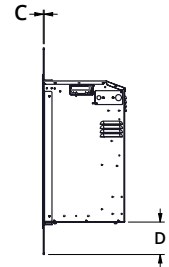
SPECIFICATIONS – Ei25 ELECTRIC INSERT



3-Sided Faceplate



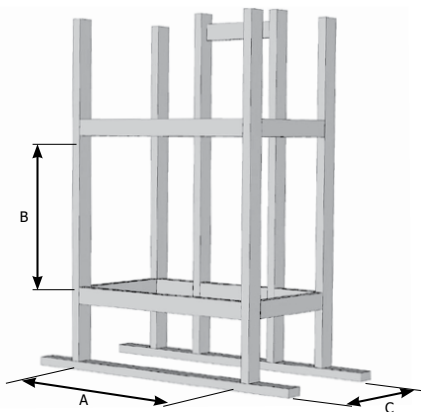
4-Sided Faceplate



FACEPLATE	DIMENSIONS			
	A - WIDTH	B - HEIGHT	C - DEPTH	D - BOTTOM HEIGHT
3-Sided Finishing Trim*	27-1/16"	17-7/8"	1/8"	--
4-Sided Finishing Trim**	27-1/16"	18-13/16"	1/8"	13/16"
3-Sided Flush Faceplate	35-13/16"	23-1/4"	1/16"	--
4-Sided Flush Faceplate	35-13/16"	26"	1/16"	4-7/16"
3-Sided Flush Faceplate with Premium Surround	36-3/16"	23-7/8"	1-11/16"	--
3-Sided Flush Faceplate with Traditional Surround	38-9/16"	28-13/16"	2-1/4"	--
3-Sided Custom Faceplate	29-1/16" – 56-7/8"	18-7/8" – 44-7/8"	1/16"	--
4-Sided Custom Faceplate	29-1/16" – 69"	20-13/16" – 45"	1/16"	1-13/16" min
Oversized Backing Plate	44-11/16"	29-5/8"	1/16"	--

* Bottom trim from 4-sided finishing trim is removed to create a 3-sided
 ** Included with appliance

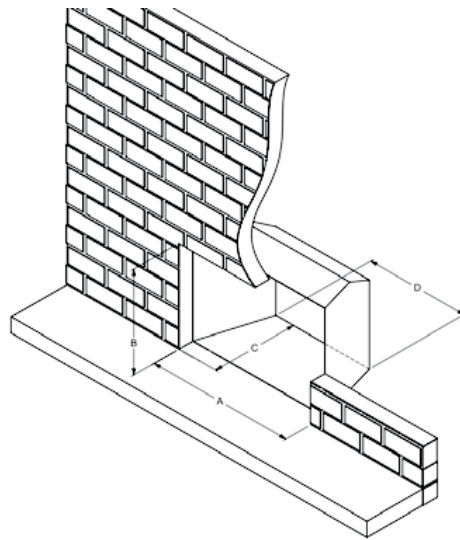
FRAMING INSTALLATION



WOOD FRAMING

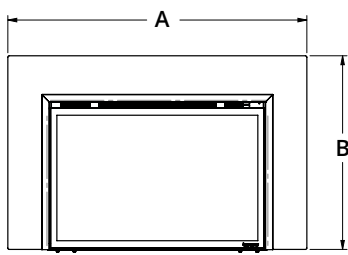
A	B	C
25-5/8"	17-11/16"	11-7/8"

SPECIFICATIONS – Ei25 ELECTRIC INSERT

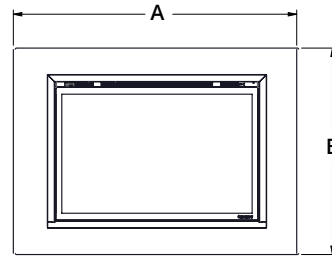
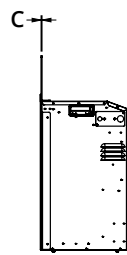


FACEPLATE	DIMENSIONS			
	A - MIN. INSTALL WIDTH	B - MIN. INSTALL HEIGHT	C - MIN. INSTALL DEPTH	D - MIN. REAR WIDTH
3-Sided Finishing Trim	25-5/8"	17-11/16"	11-7/8"	19"
4-Sided Finishing Trim	25-5/8"	17-11/16"	11-7/8"	19"
3-Sided Flush Faceplate	25-3/4"	17-11/16"	11-13/16"	19"
4-Sided Flush Faceplate	25-3/4"	17-13/16"	11-13/16"	19"
3-Sided Flush Faceplate with Premium Surround	24-13/16"	17-11/16"	10-7/16"	19"
3-Sided Flush Faceplate with Traditional Surround	24-3/8"	17-11/16"	9-3/4"	19"
3-Sided Custom Faceplate	25-3/4"	17-11/16"	11-13/16"	19"
4-Sided Custom Faceplate	25-3/4"	17-13/16"	11-13/16"	19"
3-Sided Flush Faceplate with Backing Plate	25-11/16"	17-11/16"	11-13/16"	19"
3-Sided Finishing Trim with Backing Plate	25-11/16"	17-11/16"	11-13/16"	19"
3-Sided Flush Faceplate with Premium Surround and Backing Plate	25-11/16"	17-11/16"	10-3/8"	19"
3-Sided Flush Faceplate with Traditional Surround and Backing Plate	25-11/16"	17-11/16"	9-11/16"	19"

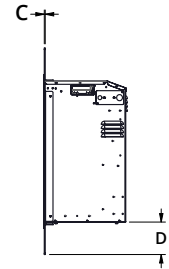
SPECIFICATIONS – Ei29/Ei29LCD ELECTRIC INSERT



3-Sided Faceplate



4-Sided Faceplate

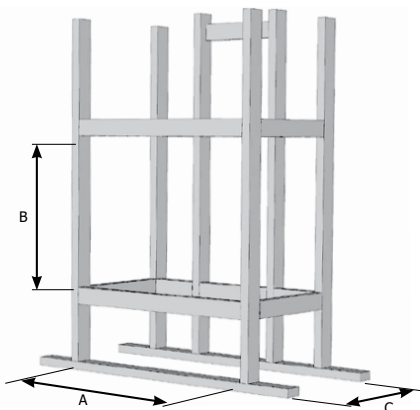


FACEPLATE	DIMENSIONS			
	A - WIDTH	B - HEIGHT	C - DEPTH	D - BOTTOM HEIGHT
3-Sided Finishing Trim*	31-1/16"	20-7/8"	1/8"	--
4-Sided Finishing Trim**	31-1/16"	21-13/16"	1/8"	13/16"
3-Sided Flush Faceplate	40-3/16"	26"	1/16"	--
4-Sided Flush Faceplate	40-3/16"	29-1/2"	1/16"	4-3/4"
3-Sided Flush Faceplate with Premium Surround	40-13/16"	26-3/8"	1-11/16"	--
3-Sided Flush Faceplate with Traditional Surround	45-3/4"	28-3/4"	2-1/4"	--
3-Sided Custom Faceplate	33-1/16" – 56-7/8"	21-7/8" – 44-7/8"	1/16"	--
4-Sided Custom Faceplate	33-1/16" – 69"	23-13/16" – 45"	1/16"	1-7/8" min
Oversized Backing Plate	47-1/2"	31-1/2"	1/16"	--

* Bottom trim from 4-sided finishing trim is removed to create a 3-sided

** Included with appliance

FRAMING INSTALLATION

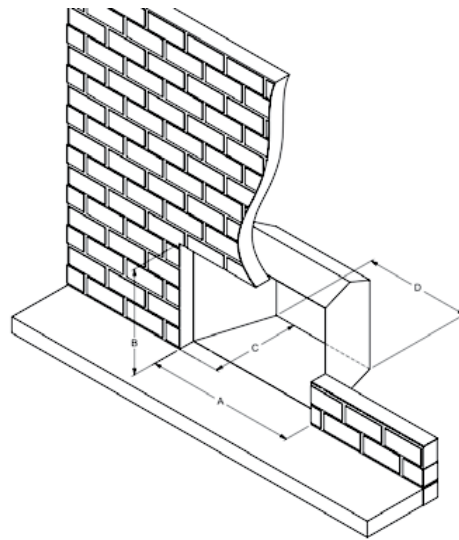


WOOD FRAMING

A	B	C
29-3/4"	20-9/16"	12-5/8"

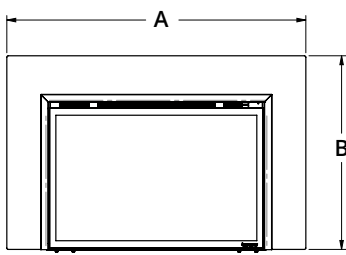
SPECIFICATIONS – Ei29/Ei29LCD ELECTRIC INSERT

MINIMUM FIREPLACE DIMENSIONS

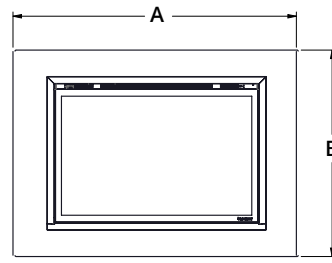
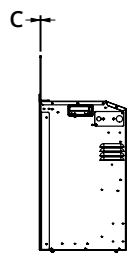


FACEPLATE	DIMENSIONS			
	A - MIN. INSTALL WIDTH	B - MIN. INSTALL HEIGHT	C - MIN. INSTALL DEPTH	D - MIN. REAR WIDTH
3-Sided Finishing Trim	29-5/8"	20-5/16"	11-13/16"	23-5/16"
4-Sided Finishing Trim	29-5/8"	20-5/16"	11-13/16"	23-5/16"
3-Sided Flush Faceplate	29-13/16"	20-9/16"	11-13/16"	23-5/16"
4-Sided Flush Faceplate	29-13/16"	20-13/16"	11-13/16"	23-5/16"
3-Sided Flush Faceplate with Premium Surround	29"	20-3/16"	10-7/16"	23-5/16"
3-Sided Flush Faceplate with Traditional Surround	28-7/16"	20-1/8"	9-3/4"	23-5/16"
3-Sided Custom Faceplate	29-13/16"	20-9/16"	11-13/16"	23-5/16"
4-Sided Custom Faceplate	29-13/16"	20-13/16"	11-13/16"	23-5/16"
3-Sided Flush Faceplate with Backing Plate	30-5/8"	20-3/4"	11-13/16"	23-5/16"
3-Sided Finishing Trim with Backing Plate	30-5/8"	20-3/4"	11-13/16"	23-5/16"
3-Sided Flush Faceplate with Premium Surround and Backing Plate	30-5/8"	20-3/4"	10-3/8"	23-5/16"
3-Sided Flush Faceplate with Traditional Surround and Backing Plate	30-5/8"	20-3/4"	9-11/16"	23-5/16"

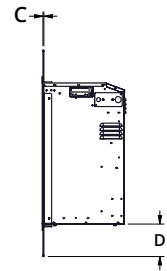
SPECIFICATIONS – Ei33/Ei33LCD ELECTRIC INSERT



3-Sided Faceplate



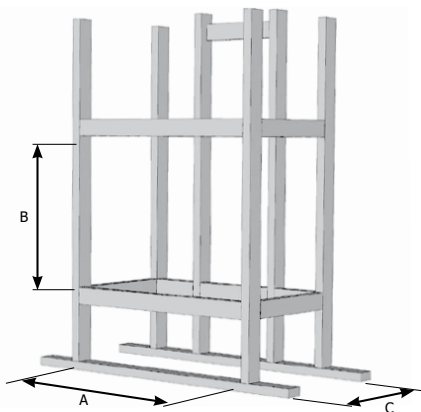
4-Sided Faceplate



FACEPLATE	DIMENSIONS			
	A - WIDTH	B - HEIGHT	C - DEPTH	D - BOTTOM HEIGHT
3-Sided Finishing Trim*	35-1/16"	24-7/8"	1/8"	--
4-Sided Finishing Trim**	35-1/16"	25-13/16"	1/8"	13/16"
3-Sided Flush Faceplate	46-1/8"	30-13/16"	1/16"	--
4-Sided Flush Faceplate	46-1/8"	37-1/16"	1/16"	6-1/2"
3-Sided Flush Faceplate with Premium Surround	46-3/4"	31-3/16"	1-11/16"	--
3-Sided Flush Faceplate with Traditional Surround	51-11/16"	33-9/16"	2-1/4"	--
3-Sided Custom Faceplate	37-1/16" – 56-7/8"	25-7/8" – 44-7/8"	1/16"	--
4-Sided Custom Faceplate	37-1/16" – 69"	27-13/16" – 45"	1/16"	1-13/16" min
Oversized Backing Plate	50-1/4"	33"	1/16"	--

* Bottom trim from 4-sided finishing trim is removed to create a 3-sided
 ** Included with appliance

FRAMING INSTALLATION

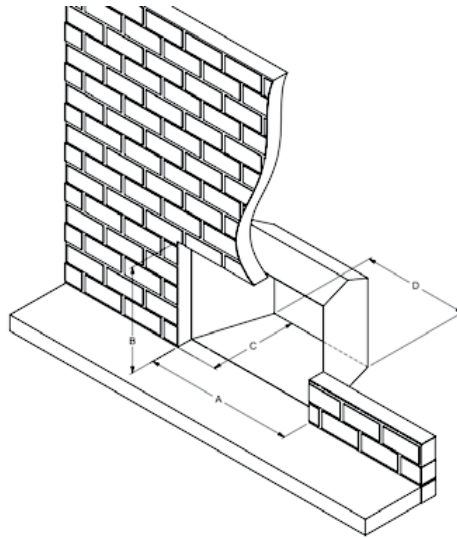


WOOD FRAMING

A	B	C
33-5/8"	24-11/16"	13-1/4"

SPECIFICATIONS – Ei33/Ei33LCD ELECTRIC INSERT

MINIMUM FIREPLACE DIMENSIONS

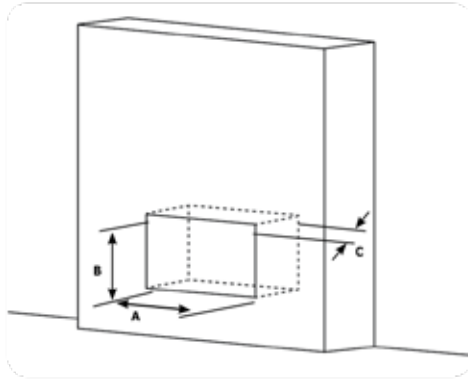


FACEPLATE	DIMENSIONS			
	A - MIN. INSTALL WIDTH	B - MIN. INSTALL HEIGHT	C - MIN. INSTALL DEPTH	D - MIN. REAR WIDTH
3-Sided Finishing Trim	33-5/8"	24-11/16"	13-1/4"	26-1/4"
4-Sided Finishing Trim	33-5/8"	24-11/16"	13-1/4"	26-1/4"
3-Sided Flush Faceplate	33-1/4"	24-11/16"	13-3/16"	26-1/4"
4-Sided Flush Faceplate	33-3/4"	24-13/16"	13-3/16"	26-1/4"
3-Sided Flush Faceplate with Premium Surround	32-13/16"	24-11/16"	11-13/16"	26-1/4"
3-Sided Flush Faceplate with Traditional Surround	32-2/8"	24-11/16"	11-1/8"	26-1/4"
3-Sided Custom Faceplate	33-1/4"	24-11/16"	13-3/16"	26-1/4"
4-Sided Custom Faceplate	33-1/4"	24-13/16"	13-3/16"	26-1/4"
3-Sided Flush Faceplate with Backing Plate	34-3/16"	24-11/16"	13-1/8"	26-1/4"
3-Sided Finishing Trim with Backing Plate	34-3/16"	24-11/16"	13-3/16"	26-1/4"
3-Sided Flush Faceplate with Premium Surround and Backing Plate	32-13/16"	24-11/16"	11-3/4"	26-1/4"
3-Sided Flush Faceplate with Traditional Surround and Backing Plate	34-3/16"	24-11/16"	11-1/16"	26-1/4"

SPECIFICATIONS – E800LCD & E36LCD

FRAMING INSTALLATION E800LCD

MASONRY FIREPLACE



WOOD FRAMING

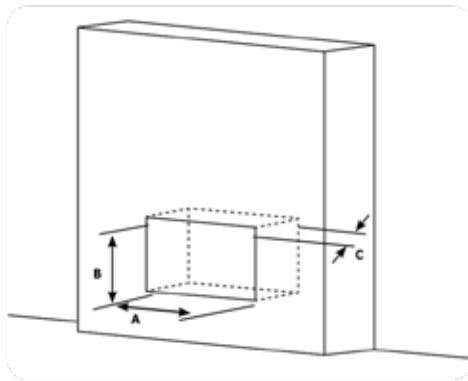


MINIMUM OPENING SIZE		
A	B	C
34-11/16"	33-15/16"	12-3/4"

NOTE: See minimum fireplace opening sizes with 3-sided and 4-sided finishing trim options.

FRAMING INSTALLATION E36LCD

MASONRY FIREPLACE



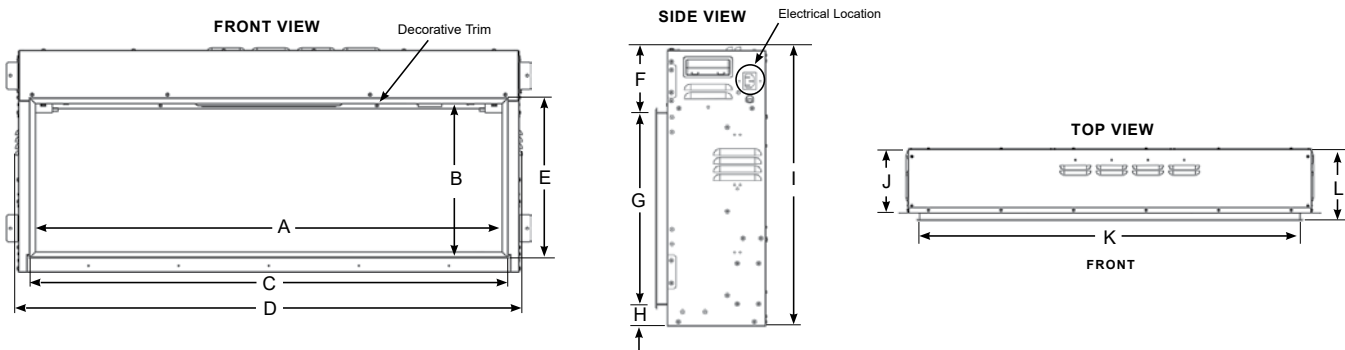
WOOD FRAMING



MINIMUM OPENING SIZE		
A	B	C
34-11/16"	33-15/16"	12-3/4"

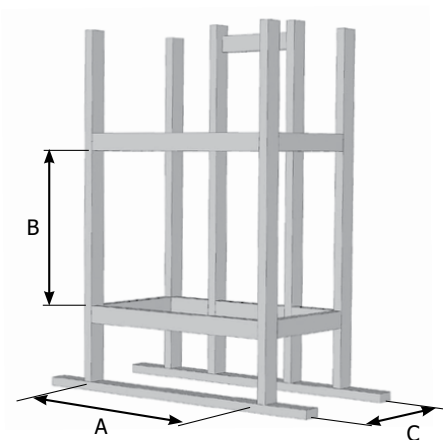
NOTE: See minimum fireplace opening sizes with 3-sided and 4-sided finishing trim options.

SPECIFICATIONS – STUDIO UNITS



UNIT	A	B	C	D	E	F	G	H	I	J	K	L
ES105	40-3/4"	13"	41-7/8"	44-1/4"	14-1/8"	4-7/16"	13-9/16"	1-1/2"	19-7/16"	6-7/8"	41-5/16"	7-3/4"
ES135	52-5/8"	13"	53-11/16"	56-1/16"	14-1/8"	4-7/16"	13-9/16"	1-1/2"	19-7/16"	6-7/8"	53-3/16"	7-3/4"
ES165	62"	13"	63-1/16"	65-7/16"	14-1/8"	4-7/16"	13-9/16"	1-1/2"	19-7/16"	6-7/8"	62-1/2"	7-3/4"

FRAMING INSTALLATION

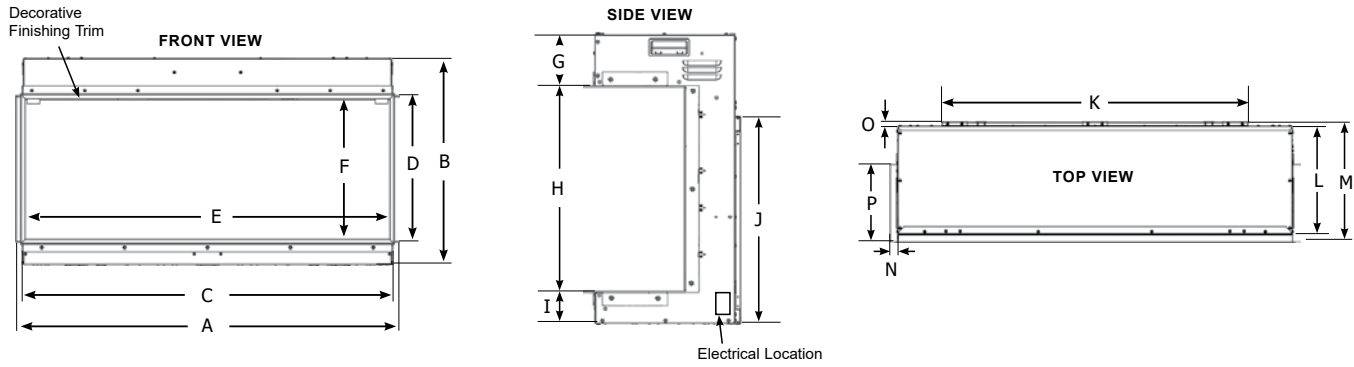


UNIT	A	B	C
ES105	44-15/16"	20-1/2"	7-5/8"
ES135	56-3/4"	20-1/2"	7-5/8"
ES165	66-1/8"	20-1/2"	7-5/8"

NOTE: Framing may be constructed of combustible material (i.e. 2 x 4/2 x 6) and does not require steel studs. The appliance must be installed on a flat, solid, continuous surface (e.g. wood, metal, concrete) which must be the full width and depth of appliance. This may be the floor, or raised up on a platform to enhance its visual impact. Measurement (B) does not include height of platform base if raised off the ground. Example 1/2" thick platform base = 21" framing height.

SPECIFICATIONS – AVITA & ONYX UNITS

DIMENSIONS



AVITA UNITS

UNIT	A	B	C	D	E	F	G	H	I	J*	K*	L	M	N	O	P
EXA120	48-5/16"	22-7/8"	47-1/4"	17-3/4"	46-9/16"	17-1/8"	2-3/8"	17-3/4"	2-1/2"	17-1/2"	33-15/16"	11-7/6"	12-1/2"	5/8"	7/16"	8-3/8"
EXA160	64"	22-7/8"	63"	17-3/4"	62-5/16"	17-1/8"	2-3/8"	17-3/4"	2-1/2"	17-1/2"	50-9/16"	11-7/6"	12-1/2"	5/8"	7/16"	8-3/8"
EXA190	75-13/16"	22-7/8"	74-13/16"	17-3/4"	74-1/8"	17-1/8"	2-3/8"	17-3/4"	2-1/2"	17-1/2"	69-1/2"	11-7/6"	12-1/2"	5/8"	7/16"	8-3/8"

*Wall Mounting Bracket

ONYX UNITS

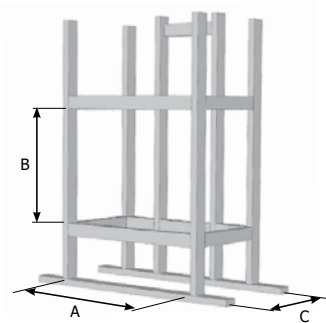
UNIT	A	B	C	D	E	F	G	H	I	J*	K*	L	M	N	O	P
EX110	45-7/16"	24-3/4"	44"	17-7/16"	43-5/16"	16-3/4"	4-3/8"	17-3/8"	2-5/8"	17-1/2"	33-15/16"	11-13-16"	13-1/4"	7/8"	1/2"	8-11/16"
EX150	61-3/16"	24-3/4"	59-3/4"	17-7/16"	59-1/16"	16-3/4"	4-3/8"	17-3/8"	2-5/8"	17-1/2"	50-9/16"	11-13-16"	13-1/4"	7/8"	1/2"	8-11/16"
EX190	78-15/16"	24-3/4"	77-1/2"	17-7/16"	76-3/4"	16-3/4"	4-3/8"	17-3/8"	2-5/8"	17-1/2"	69-7/16"	11-13-16"	13-1/4"	7/8"	1/2"	8-11/16"

*Wall Mounting Bracket

SPECIFICATIONS – AVITA & ONYX UNITS

FRAMING INSTALLATION

SINGLE SIDED



AVITA UNITS

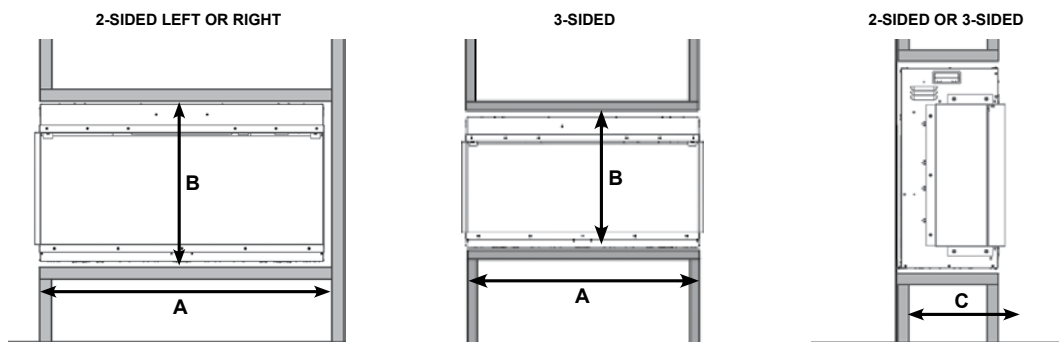
SINGLE-SIDED	A	B	C
EXA120	47-11/16"	23-1/4"	12-1/4"
EXA160	63-7/16"	23-1/4"	12-1/4"
EXA190	75-1/4"	23-1/4"	12-1/4"

ONYX UNITS

SINGLE-SIDED	A	B	C
EX110	44-13/16"	25-1/4"	12-7/16"
EX150	60-9/16"	25-1/4"	12-7/16"
EX190	78-1/4"	25-1/4"	12-7/16"

NOTE: Framing may be constructed of combustible material (ie: 2 x 4/2 x 6) and does not require steel studs.

2-SIDED (LEFT/RIGHT) + 3-SIDED VIEW INSTALLATION



AVITA UNITS

2-SIDED	A	B	C
EXA120	47-11/16"	23-1/4"	12-1/4"
EXA160	63-7/16"	23-1/4"	12-1/4"
EXA190	75-1/4"	23-1/4"	12-1/4"

3-SIDED	A	B	C
EXA120	47-3/8"	23-1/4"	12-1/4"
EXA160	63-1/8"	23-1/4"	12-1/4"
EXA190	74-7/8"	23-1/4"	12-1/4"

NOTE: The appliance must be installed on a flat, solid, continuous surface (e.g. wood, metal, concrete) which must be the full width and depth of appliance. This may be the floor, or raised up on a platform to enhance its visual impact. Measurement (B) does not include height of platform base if raised off the ground. Example 1/2" thick platform base = 23-3/4" framing height.

ONYX UNITS

2-SIDED	A	B	C
EX110	44-7/16"	25-1/4"	12-7/16"
EX150	60-3/16"	25-1/4"	12-7/16"
EX190	77-7/8"	25-1/4"	12-7/16"

3-SIDED	A	B	C
EX110	44-1/2"	25-1/4"	12-7/16"
EX150	60-1/4"	25-1/4"	12-7/16"
EX190	77-15/16"	25-1/4"	12-7/16"

NOTE: The appliance must be installed on a flat, solid, continuous surface (e.g. wood, metal, concrete) which must be the full width and depth of appliance. This may be the floor, or raised up on a platform to enhance its visual impact. Measurement (B) does not include height of platform base if raised off the ground. Example 1/2" thick platform base = 25-3/4" framing height.



Find More Products at **REGENCY-FIRE.COM**

Your Regency Dealer