

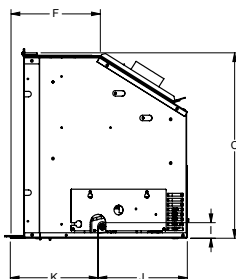
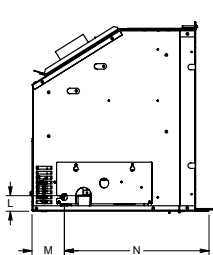
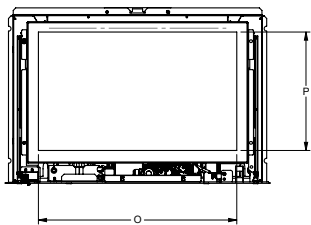
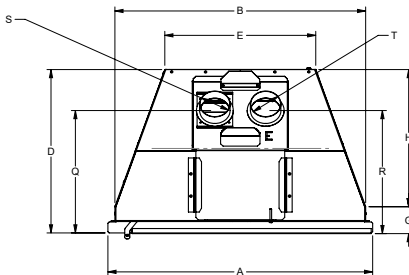
Regency® Gi25LE Gas Insert

| | |
|---|---------------------------|
| MODEL | Gi25LE-NG |
| Fuel Type | Natural Gas |
| Minimum Supply Pressure | 5" W.C. (1.25 kPa) |
| Manifold Pressure - High | 3.5" W.C. (0.87 kPa) |
| Manifold Pressure - Low | 1.6" W.C. (0.39 kPa) |
| Minimum Input | 14,500 Btu/h (4.25 kW) |
| Maximum Input | 20,500 Btu/h (6.00 kW) |
| Orifice Size - Altitude 0-4500 ft (0-1370m) | #44 DMS |
| CSA P.4.1 Fireplace Efficiency (FE) | 63.6% |
| This appliance shall not be field converted. Approved for NG gas only. | |



Fireplace Dimensions

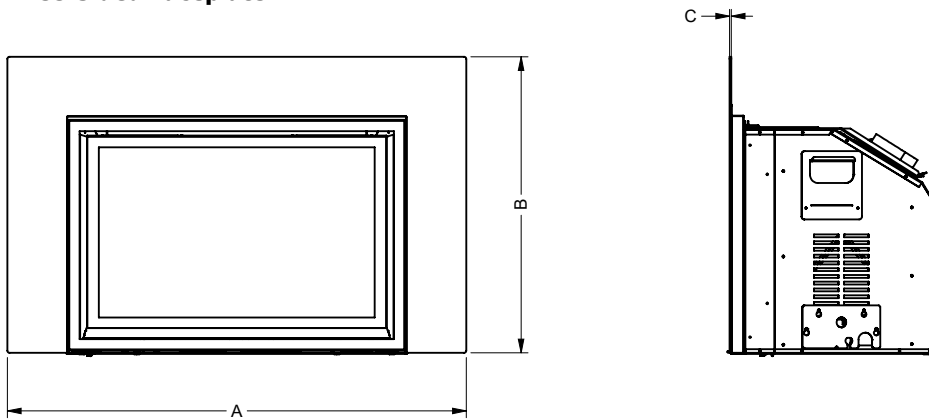
The minimum fireplace clearances and dimensions for the Regency gas insert are shown in the following diagrams:



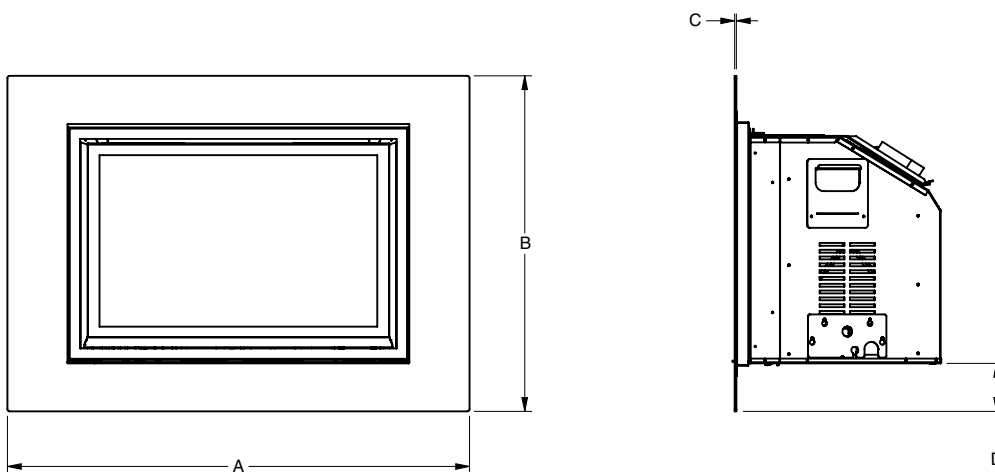
| Letter | Description | Dimensions (inches) | Dimensions (mm) |
|--------|-------------------------------|---------------------|-----------------|
| A | Width | 26" | 660 mm |
| B | Outerbox Width | 24-3/4" | 629 mm |
| C | Outerbox Height | 17" | 432 mm |
| D | Outerbox Depth | 16-1/4" | 413 mm |
| E | Outerbox Rear Width | 15" | 381 mm |
| F | Front to Top Taper | 8-1/4" | 210 mm |
| G | Front to Side Taper | 2-11/16" | 68 mm |
| H | Rear to Side Taper | 13-5/8" | 346 mm |
| I | Gas Inlet Height | 1-1/4" | 32 mm |
| J | Gas Inlet Rear Depth | 4-7/8" | 124 mm |
| K | Gas Inlet Front Depth | 11-1/2" | 292 mm |
| L | Electrical Access Height | 1-1/8" | 29 mm |
| M | Electrical Access Rear Depth | 3" | 76 mm |
| N | Electrical Access Front Depth | 13-1/4" | 337 mm |
| O | Glass Viewing Area Width | 19-1/2" | 495 mm |
| P | Glass Viewing Area Height | 11-5/8" | 295 mm |
| Q | Front to Intake | 11-15/16" | 303 mm |
| R | Front to Exhaust | 11-15/16" | 303 mm |
| S | Intake Diameter | 3" | 76 mm |
| T | Exhaust Diameter | 3" | 76 mm |

Faceplate Dimensions

Three-Sided Faceplate



Four-Sided Faceplate

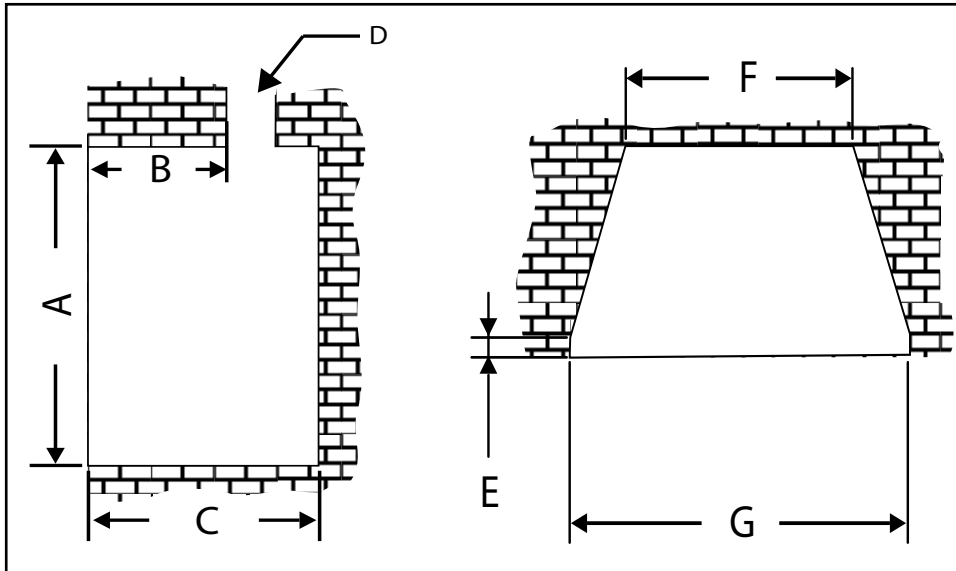


| Faceplate | Dimensions | | | |
|---------------------------------|---|---|----------------|-----------------------------|
| | Width (A) | Height (B) | Depth (C) | Bottom Height (D) |
| 3-Sided Regular Faceplate | 35-3/4" (908 mm) | 23-1/4" (591 mm) | 1-1/4" (32 mm) | - |
| 3-Sided Flush Faceplate | 35-3/4" (908 mm) | 23-1/4" (591 mm) | 1/8" (3 mm) | - |
| 4-Sided Flush Faceplate | 35-3/4" (908 mm) | 26-3/8" (670 mm) | 1/8" (3 mm) | 4-1/4" (108 mm) |
| 3-Sided Finishing Trim | 28-1/4" (718 mm) | 18-3/4" (476 mm) | 1/16" (2 mm) | - |
| 4-Sided Finishing Trim | 28-1/4" (718 mm) | 20" (508 mm) | 1/16" (2 mm) | 1-1/8" (29 mm) |
| 3-Sided Oversized Backing Plate | 44-5/8" (1134 mm) | 29-5/8" (737 mm) | 1/8" (3 mm) | - |
| 3-Sided Custom Backing Plate | 30-1/4" - 56-7/8" (768 mm - 1445 mm) | 19-3/4" - 44-7/8" (502 mm - 1118 mm) | 1/8" (3 mm) | - |
| 4-Sided Custom Backing Plate | 30-1/4" - 69" (768 mm - 1753 mm) | 22-1/8" - 45" (562 mm - 1143 mm) | 1/8" (3 mm) | 2-1/8" minimum (54 mm min.) |

Minimum Fireplace Dimensions

The minimum fireplace clearances & dimensions for the Regency gas insert are shown in the following diagram:

NOTE Also, see minimum fireplace opening sizes with varying faceplate, finishing trim, and backing plate options on the next page.



| A Height | B Max. Lintel Bar Depth | C Depth | D Damper Opening | E Front Depth to Taper | F Width (rear) | G Width (front) |
|-----------------|-------------------------------|-----------------|-----------------------------------|------------------------------|-------------------|-----------------------|
| 17" (432 mm) | 10-1/2" (267 mm) | 15" (381 mm) | 8" x 4" min. (203 mm x 102 mm) | 1-5/8" (42 mm) | 15" (381 mm) | 25" (635 mm) |

Minimum Clearances to Combustibles

The clearances listed below are minimum distances unless otherwise stated.

A major cause of fires is failure to maintain required clearances (airspace) to combustible materials. It is of the greatest importance that this decorative gas appliance is installed only in accordance with these instructions.

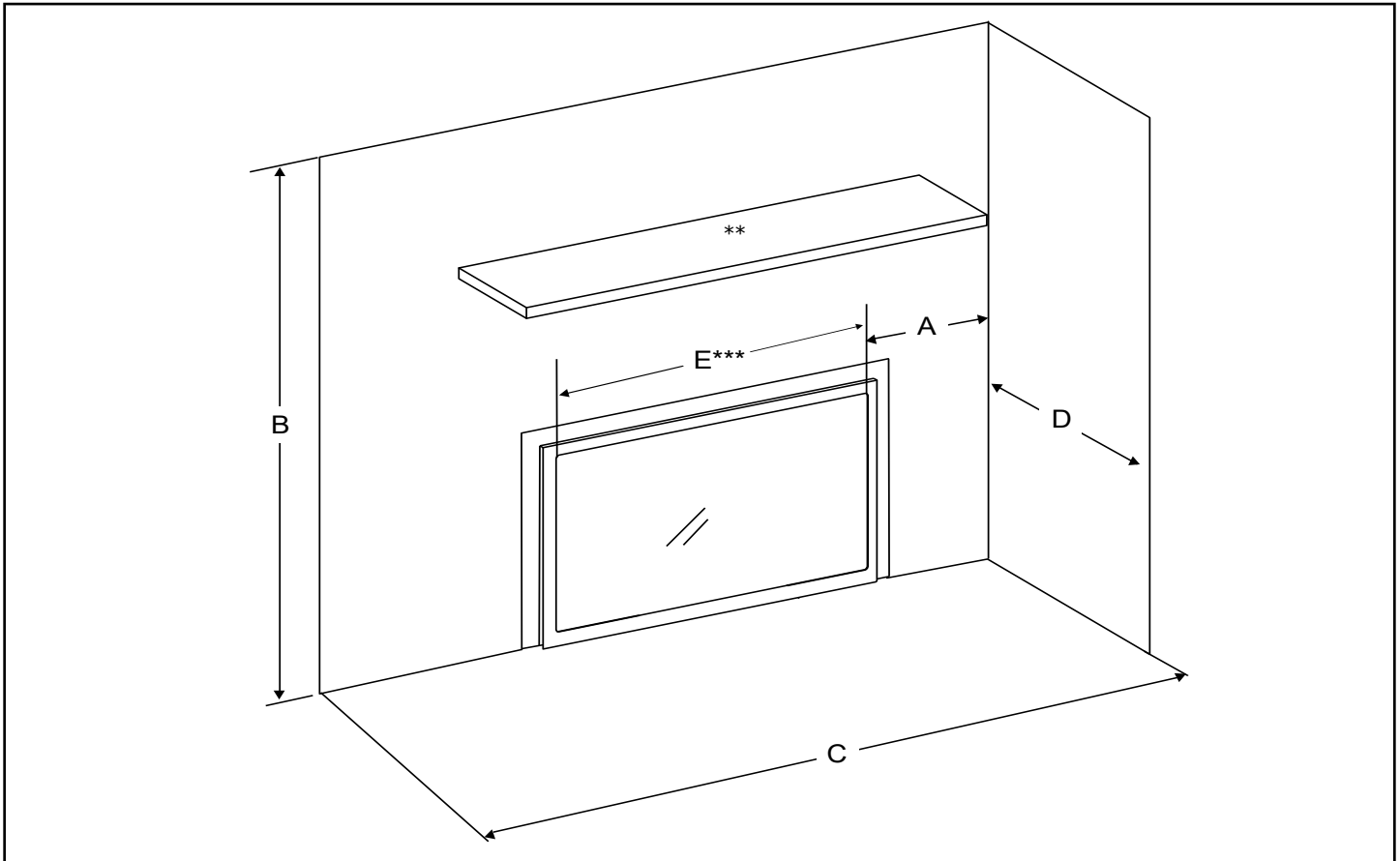


Diagram 1

| Clearance | Dimension | Measured From: |
|----------------------|---------------|--|
| A: Sidewall | 8" / 203 mm | ***From inside edge of faceplate / doors |
| B: Ceiling | 60" / 1524 mm | From base of unit |
| C: Min. Alcove Width | 54" / 1372 mm | From side wall to side wall |
| D: Max. Alcove Depth | 36" / 914 mm | From the front of the unit. |

NOTES

A hearth is recommend but not required in front of this appliance. If bringing combustible flooring up to the appliance it must be at the same level or lower than the appliance base. No combustible material is permitted underneath the appliance.

NOTES

- **For mantle clearances, see next page.
- (E): ***Measured from the inside edge of the faceplate/doors - reference only: 19-9/16" (497 mm)

Mantel Clearances Without Mantel Deflector

Mantel Clearances With 2-1/4" (57 mm) Mantel Deflector

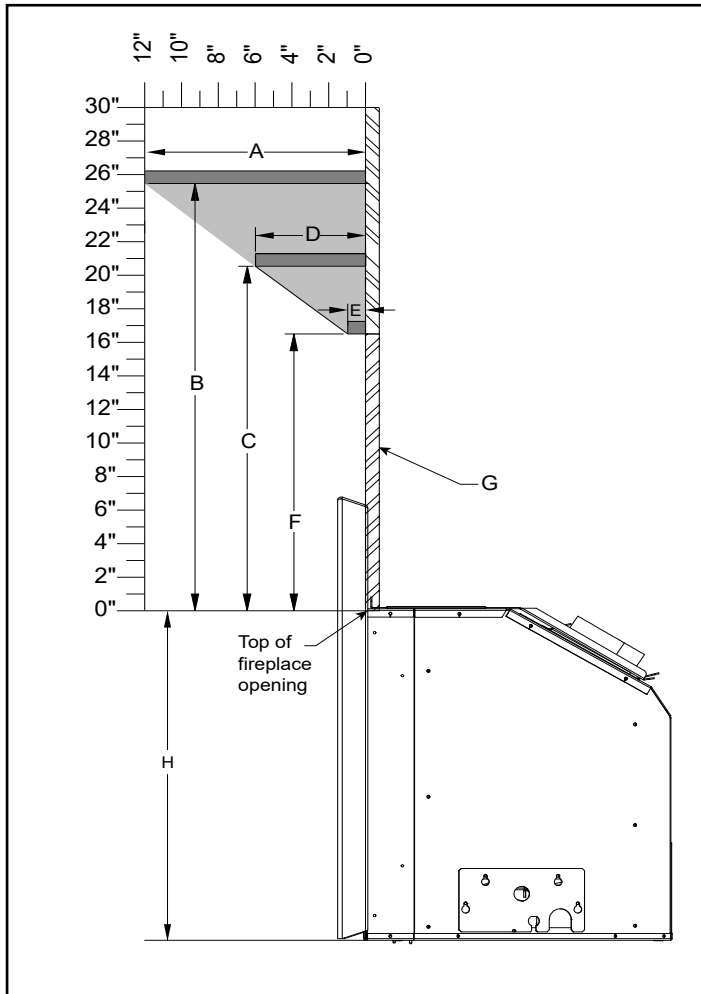


Diagram 2

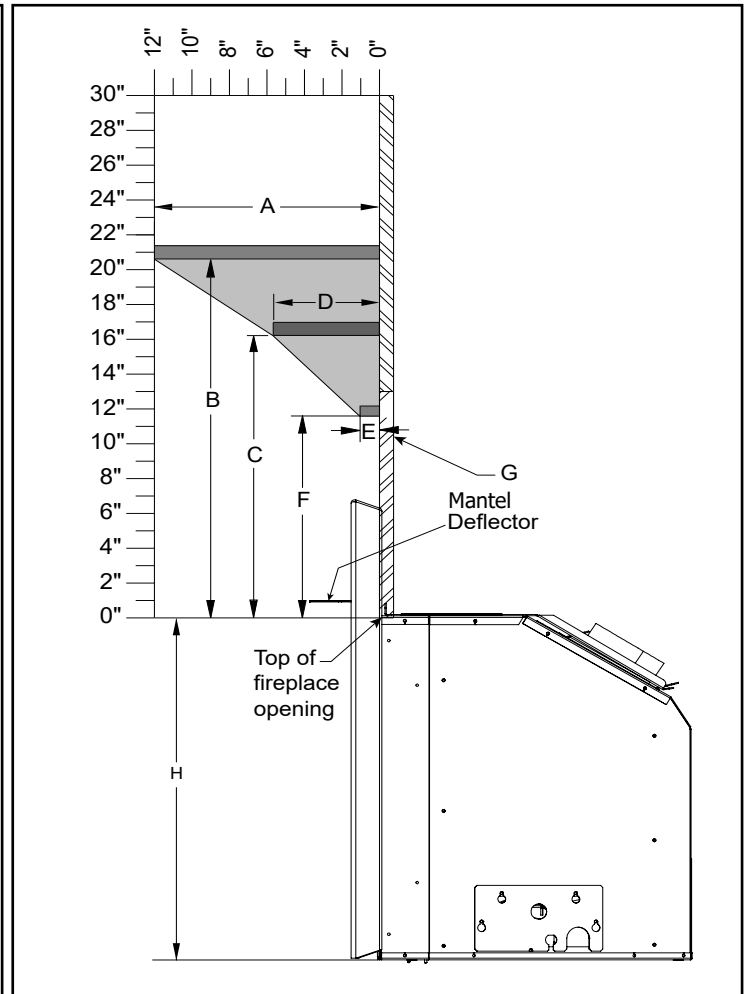


Diagram 3

| | |
|---|------------------|
| A | 12" (305 mm) |
| B | 25-1/2" (648 mm) |
| C | 21" (534 mm) |
| D | 6" (152 mm) |

| | |
|---|----------------------------------|
| E | 1" (25 mm) |
| F | 16-1/2" (419 mm) |
| G | Non Combustible Materials |
| H | 16-5/8" (422 mm) to base of unit |

| | |
|---|------------------|
| A | 12" (305 mm) |
| B | 20-1/2" (521 mm) |
| C | 16" (407 mm) |
| D | 6" (152 mm) |

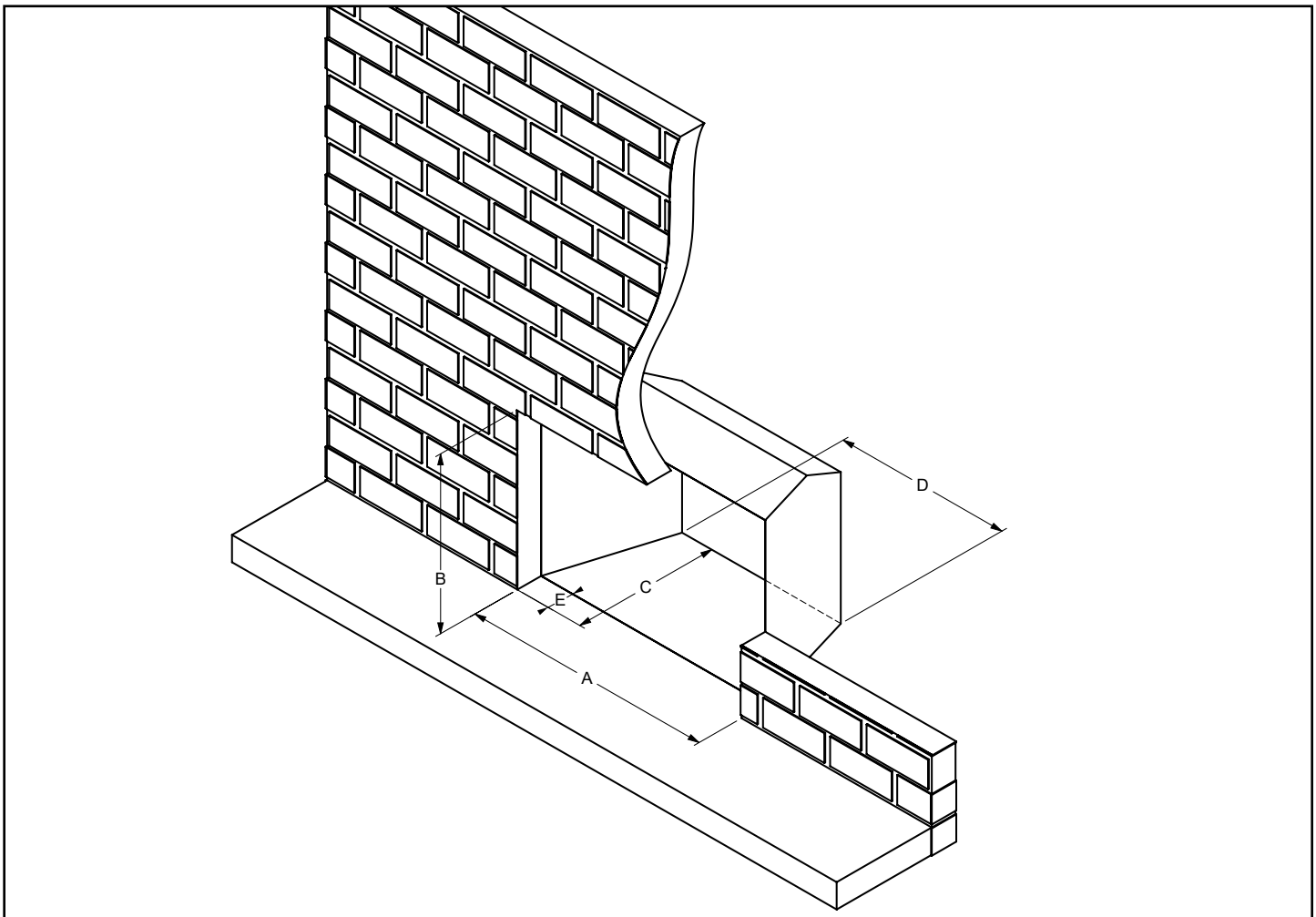
| | |
|---|----------------------------------|
| E | 1" (25 mm) |
| F | 11-1/2" (292 mm) |
| G | Non Combustible |
| H | 16-5/8" (422 mm) to base of unit |

WARNING Although this appliance passes safety certification, the hearth in front of the fireplace becomes very hot when the fireplace heats. Do not use the hearth as a seat or shelf.

NOTES

- A 2-1/4" (57 mm) mantel deflector reduces mantel height to 28-1/8" (714 mm) from the base of the unit at 1" (25 mm) depth.
- A non-combustible mantel may be installed at a lower height if the framing is made of metal studs covered with a non-combustible board. The non-combustible mantel, when installed at a lower overall height, may not be lower than 6" (152 mm) from the top of the fireplace opening.
- All material used must be non-combustible.

Minimum Fireplace Opening Sizes with Varying Faceplate/Backing Plate Options

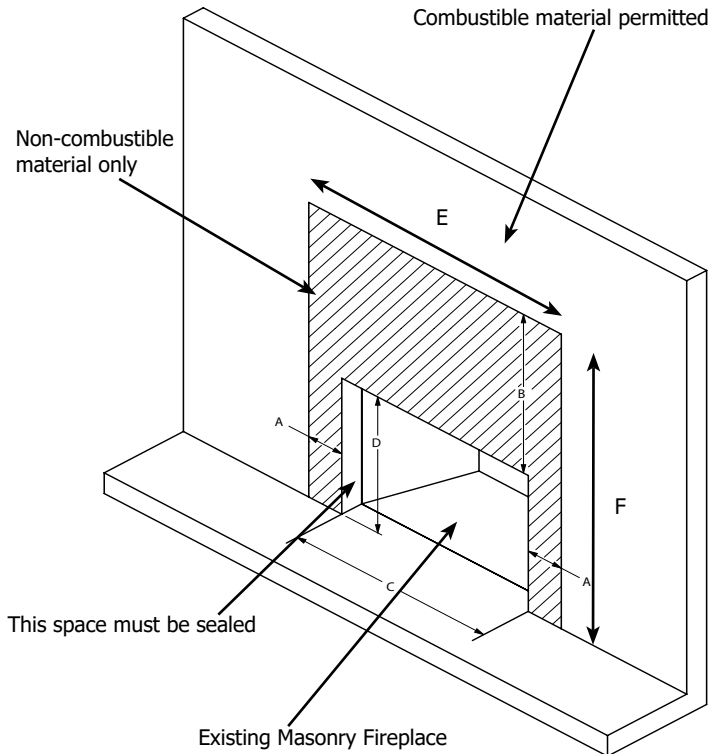


| Faceplate | Dimensions | | | | |
|--|---------------------------|----------------------------|---------------------------|------------------------|-----------------|
| | Minimum Install Width (A) | Minimum Install Height (B) | Minimum Install Depth (C) | Minimum Rear Width (D) | Taper Depth (E) |
| 3-Sided Regular Faceplate | 25" (635 mm) | 17" (432 mm) | 15" (381 mm) | 15" (381 mm) | 1-5/8" (42 mm) |
| 3-Sided Regular Faceplate w/ 3-Sided Backing Plate | 26-3/4" (680 mm) | 18-1/4" (464 mm) | 15" (381 mm) | 15" (381 mm) | 3-1/8" (80 mm) |
| 3-Sided Flush Faceplate | 26-1/2" (673 mm) | 18" (457 mm) | 16-1/4" (413 mm) | 15" (381 mm) | 2-5/8" (67 mm) |
| 3-Sided Flush Faceplate w/ 3-Sided Backing Plate | 26-3/4" (680mm) | 18-1/8" (461mm) | 16-1/8" (410mm) | 15" (381mm) | 4" (102mm) |
| 4-Sided Flush Faceplate | 26-1/2" (673mm) | 18-1/8" (461mm) | 16-1/4" (413mm) | 15" (381mm) | 2-5/8" (67mm) |
| 3-Sided Finishing Trim | 26-1/2" (673mm) | 18" (457mm) | 16-1/4" (413mm) | 15" (381mm) | 2-5/8" (67mm) |
| 3-Sided Finishing Trim w/ 3-Sided Backing Plate | 26-3/4" (680mm) | 18-1/4" (464mm) | 16-1/8" (410mm) | 15" (381mm) | 4-1/4" (108mm) |
| 4-Sided Finishing Trim | 26-1/2" (673mm) | 18-1/8" (461mm) | 16-1/4" (413mm) | 15" (381mm) | 2-5/8" (67mm) |



Using Steel Studs and Concrete Board Over Masonry Brick Fireplace

The masonry front brick facing can be removed and replaced with non-combustible materials such as steel studs and concrete board/dura rock/micor board as per diagram 1, only if safe to do so. Steel stud may also be placed in front of the masonry brick if left in place. This is the preferred method depending on the condition of the masonry brick fireplace.

The opening between the front of the masonry firebox and non-combustible materials such as steel studs must be sealed so heat cannot run between the face of the masonry fireplace and the refacing materials. Only finishing materials such as tile, stone, brick, or similar materials that are non-combustible may be used. Use materials that are uniform so that when the unit is positioned, there are no visible gaps on the sides or top of the surround.



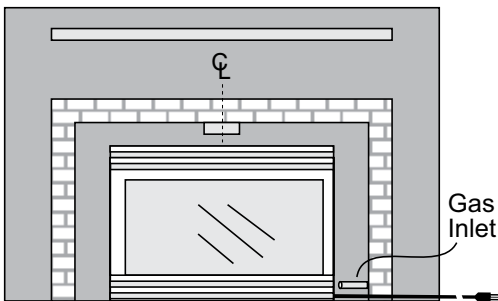
| DIMENSIONS | |
|--------------------------|------------------|
| A - Horizontal clearance | 6" (152 mm) |
| B - Vertical clearance | 20" (508 mm) |
| C - Opening Width | 26" (660 mm) |
| D - Opening Height | 17-3/4" (451 mm) |
| E - Minimum Total Width | 38" (965 mm) |
| F - Minimum Total Height | 37-3/4" (959 mm) |

- Combustible Facing Over Combustible Framing 
- Non-Combustible Facing Over Non-Combustible Framing 

Gas Connection

WARNING Only people licensed to work with gas piping may make the gas connections to this appliance.

1. If the appliance is installed into an existing chimney system, thoroughly clean the masonry or factory-built fireplace.
2. The appliance has an opening on the left side of the control compartment. A 3/8" NPT gas supply pipe must be brought near the opening.
3. Locate the centre point where the vent will pass through the chimney, above the appliance. Move the appliance to the installation location. Ensure that the insert is level.
4. Do not cut any sheet metal parts of the fireplace into which the gas insert will be installed.
5. If the factory-built fireplace has no gas access hole(s), drill one of 1-1/2" (37-1/2 mm) or less through the lower sides or bottom of the firebox. The access hole must be plugged with non-combustible insulation after the gas supply line is installed.



Vertical Venting

THE APPLIANCE MUST NOT BE CONNECTED TO A CHIMNEY FLUE SERVING A SEPARATE SOLID FUEL BURNING APPLIANCE.

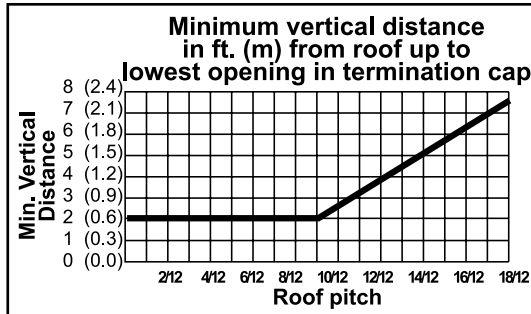
INSTALLATION WITH 3" X 3" LINERS

This appliance is designed to attach to two 3" (76 mm) co-linear aluminum flex running the full length of the chimney. The flue length must be a minimum of 10' (3.05 m) and a maximum of 35' (10.7 m) long. See the chart below for minimum distances from the roof. Periodically check that the vent is unrestricted.

Masonry chimneys may take various contours which the flexible liner will accommodate. However, keep the flexible liner as straight as possible (avoid unnecessary bending).

Attach both the exhaust and intake flue liners to both the termination cap & flue collar at the appliance with a minimum of three self-tapping screws. Use Mil-Pac sealant to seal the pipes.

The air intake pipe must be attached to the inlet air collar of the termination cap.



IMPORTANT This appliance was tested and certified as a complete system with the noted termination caps and flex liner. Only the listed termination caps/flex liner noted below can be used. Use of termination caps or flex liners not listed in this manual will void the warranty and certification of this appliance. It is also important not to enclose the termination cap inside a masonry chimney rain cap, or similar.

NOTES When attaching the two 3 inch (76 mm) liners to the termination cap and prior to sliding them down the chimney, it is good practice to mark the liners "exhaust" & "air intake". This prevents mixing up the liners at the flue collar connection of the appliance. If facing the appliance from the front, the air intake is located on the left and the exhaust flue on the right.



Gas & Electrical Connections

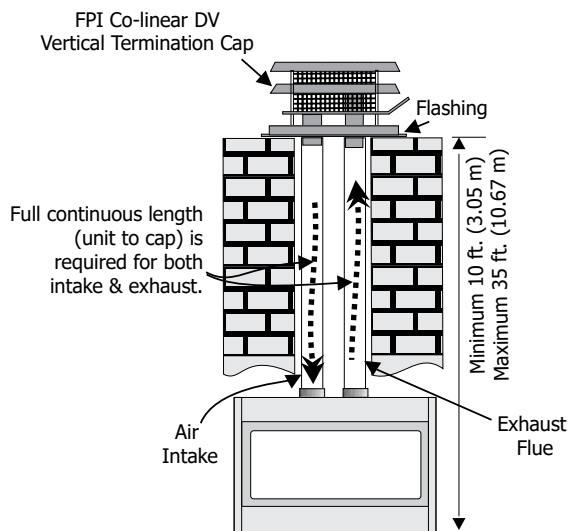
Venting

INSTALLATION WITH 3" & 3" LINERS

| Part # | Description |
|---------|--|
| 948-305 | 3" Flex - 35 ft. (intake & exhaust) |
| 946-529 | Regency Co-linear DV Vertical Termination Cap & Flashing |

| Vent Run | Vent Restrictor Position | Burner Aeration Setting |
|------------|--------------------------|-------------------------|
| 10' to 15' | 3" Open | 1/4" |
| 15' to 25' | 3-1/2" Open | 1/4" |
| 25' to 35' | 2-1/2" Open | 1/4" |

NOTE: See instructions in the "Vent Restrictor Position" section on positioning of the vent restrictor.



Alternative Approved Venting Components*

- 46DVA-VCH High Wind Cap
- 46DVA-GK 3" Co-linear Adaptor with flashing

Note: Both Air Inlet/Exhaust Liners would need to be purchased separately as they are not included. Simpson Dura-Vent pipe lengths can be added if required to meet clearance requirements.

or

46DVA-CL33 Co-Linear Kit w/Flex
 Note : The 46DVA-CL33 includes high wind cap, flashing & 35 foot liners for both exhaust/intake.

In areas of consistently high winds, we recommend using the Simpson Dura-Vent System 46DVA-GK adapter and 46DVA-VCH high-wind cap or 46DVA-CL33 Co-Linear Kit w/Flex. The Air Intake pipe must be attached to the inlet air collar of the termination cap.

***NOTE:** Simpson Duravent can only be used with 3" liners.

The Gi25LE is also approved for use with a 2" liner for air intake and a 3" liner for exhaust. This would be suitable for a Class A wood burning chimney with a minimum 6" round flue.

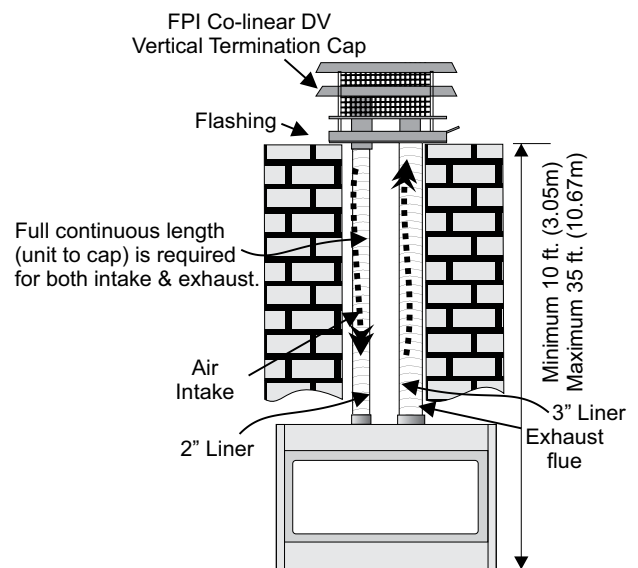
The chimney must be lined with one 2" diameter liner for intake and one 3" diameter liner for exhaust. The minimum vent length is 10' (3.05 m) and maximum is 35' (10.7 m).

INSTALLATION WITH 3" & 2" LINERS

| Part # | Description |
|---------|---|
| 948-305 | 3" Flex - 35 ft. (exhaust) |
| 948-316 | 2" Flex - 35 ft. (intake) |
| 946-582 | Regency Co-linear DV Vertical Termination Cap, Flashing & 2" Collar |

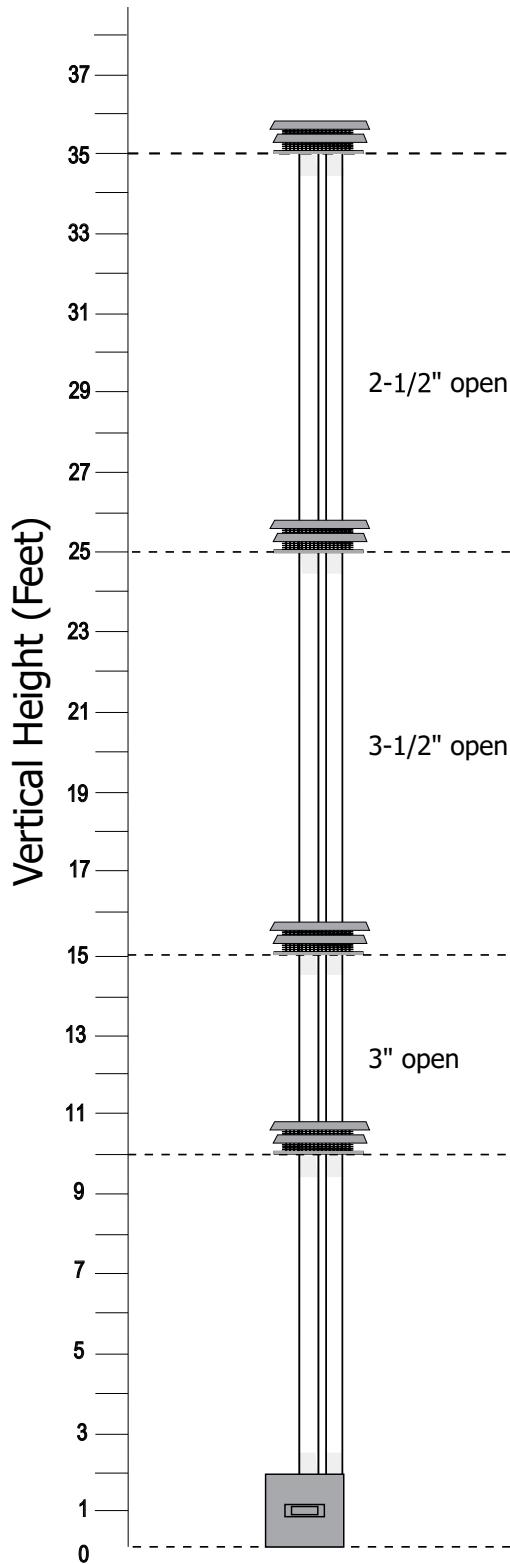
| Vent Run | Vent Restrictor Position | Burner Aeration Setting |
|------------|--------------------------|-------------------------|
| 10' to 15' | 4" Open | 1/4" |
| 15' to 35' | 6" Open | 1/4" |

NOTE: See instructions in the "Vent Restrictor Position" section on positioning of the vent restrictor.

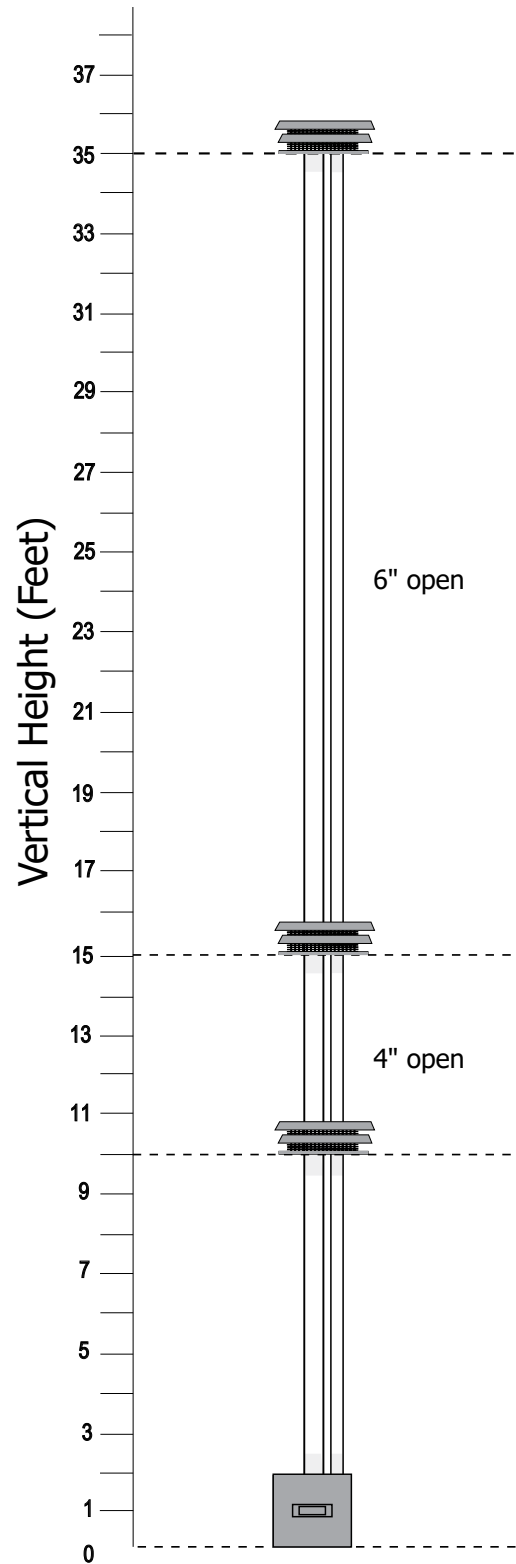


Vertical Venting/Restrictor Settings for FPI Co-Linear DV Vertical Termination Cap & Flashing (946-529)

Flex Pipe 3" x 3"



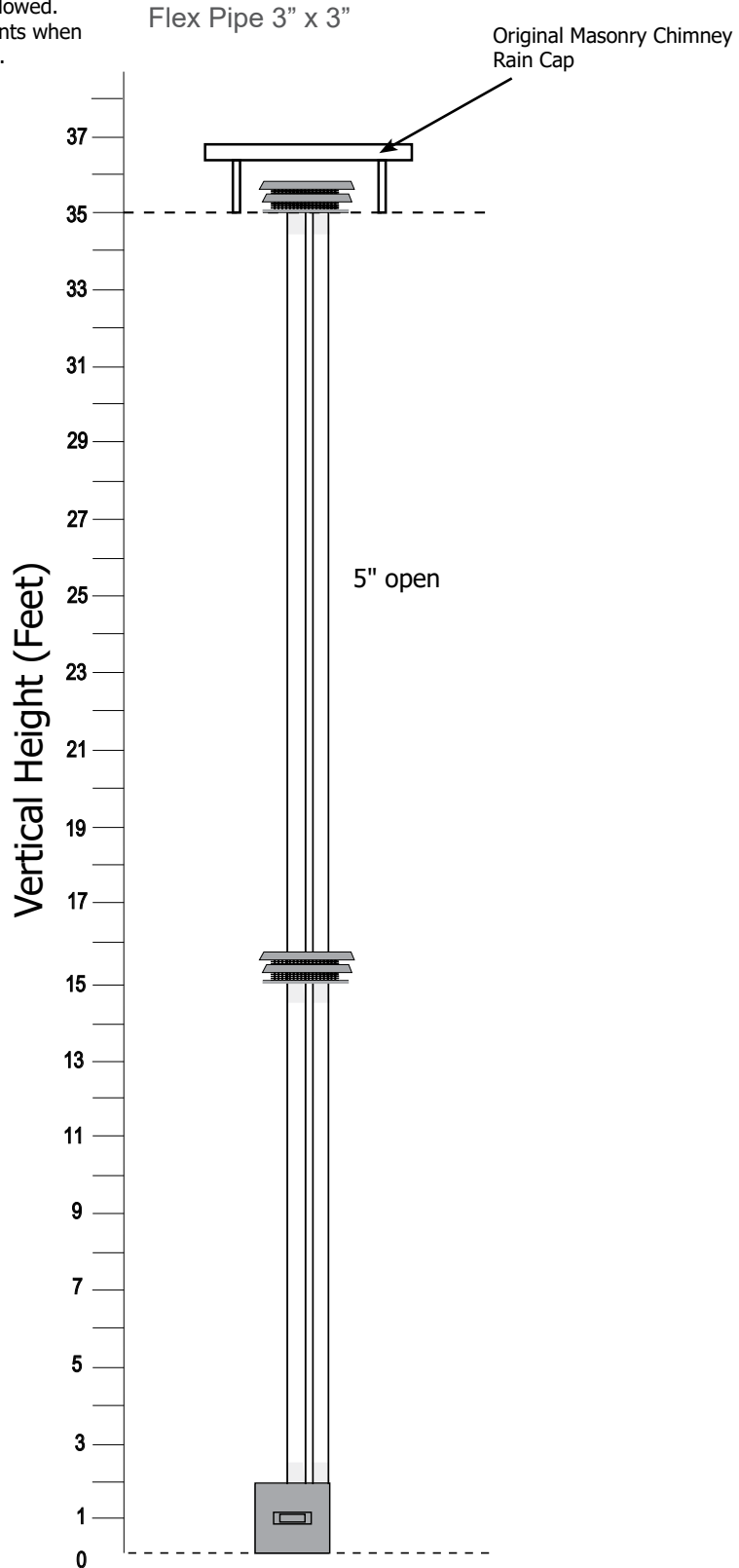
Flex Pipe 3" x 2"



Vertical Venting/Restrictor Settings for FPI Co-Linear DV Vertical Termination Cap & Flashing (946-529) Enclosed

IMPORTANT:

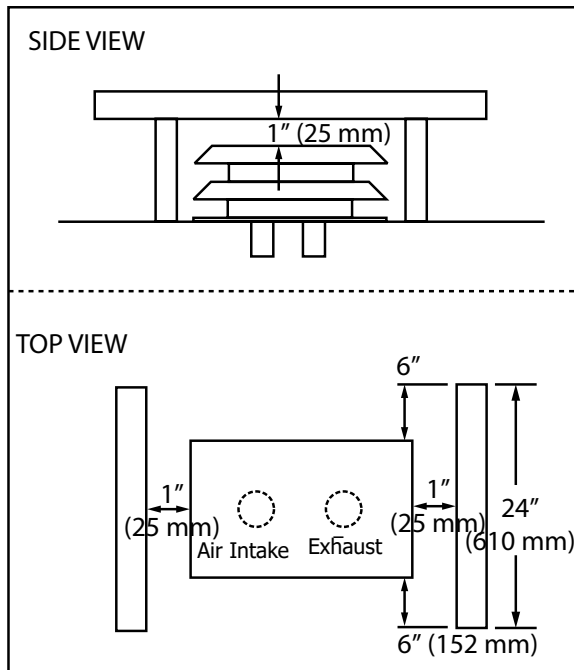
Vent cap clearances to Sides and Top must be followed. See next page for important clearance requirements when termination cap is enclosed above and on 2 sides.



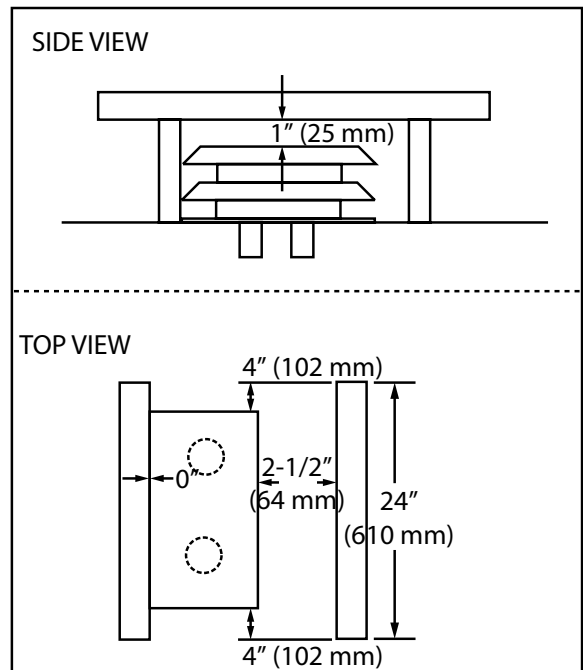
Vertical Venting/Clearance Requirements for FPI Co-Linear DV Vertical Termination Cap & Flashing (946-529) Enclosed

When installed with 46DVA-CL33 or 46DVA-GK + 46DVA-VCH + 3" FPI Flex (Exhaust/Air Intake)
 These vent kits cannot be enclosed and must be exposed on all 4 sides and above.

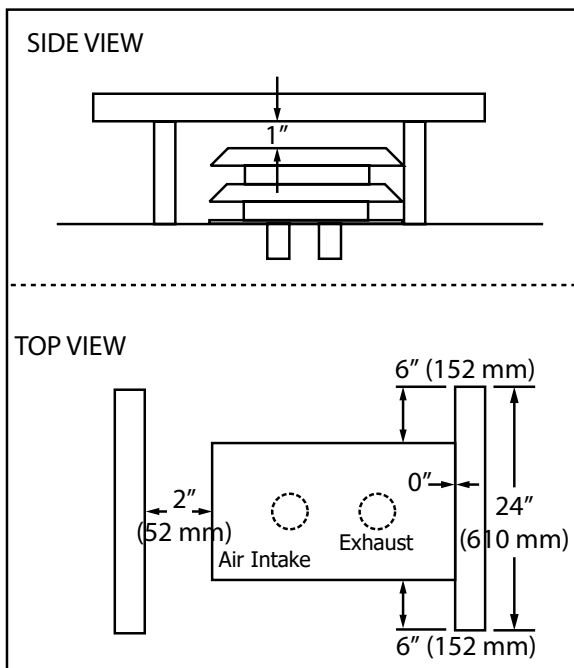
Situation 1



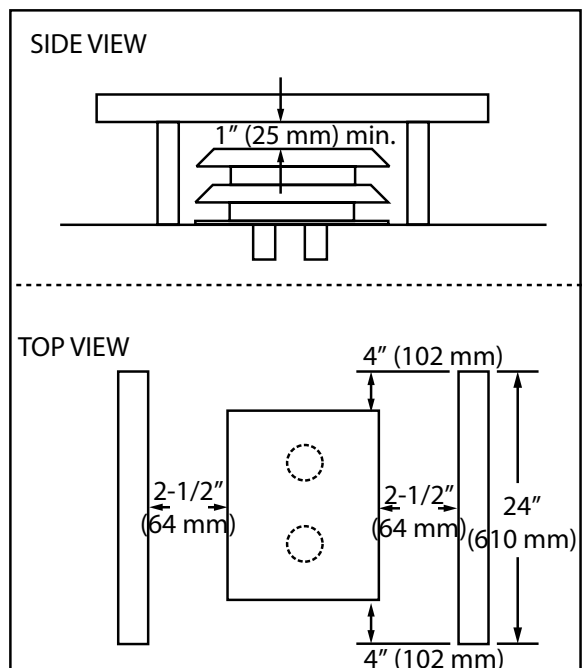
Situation 3



Situation 2



Situation 4



Note: Restrictor must be set to 5" (127 mm) open, see Restrictor Adjustment.

Vertical Venting/Restrictor Settings for Simpson Dura-Vent Termination Caps

When installed with:
 46DVA-CL33 or
 46DVA-GK + 46DVA-VCH + 3" FPI Flex (Exhaust/Air Intake)

