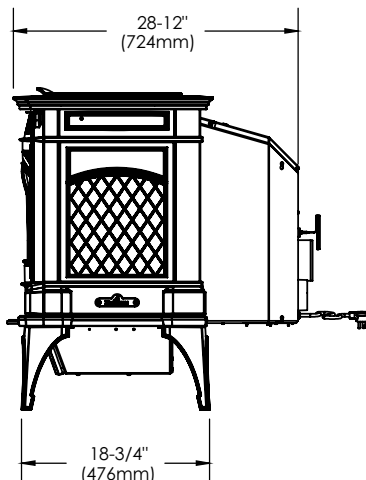
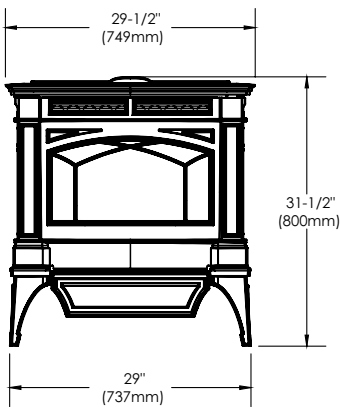
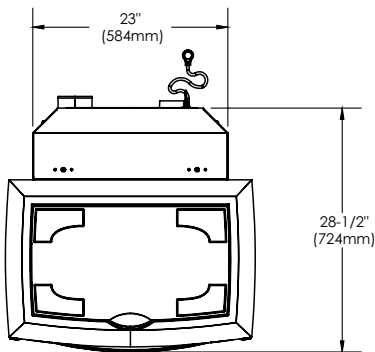


## Greenfire GC60/GCI60 Freestanding Insert Pellet Stove

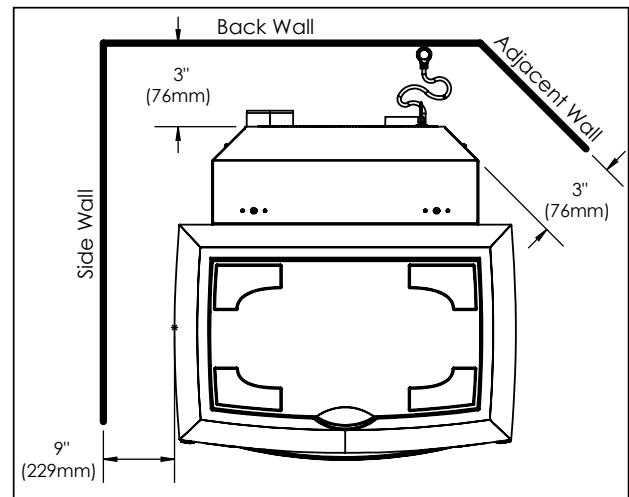
Model	GC60
Cordwood BTU's	55,000 BTU's
Emissions (grams/hr) EPA Certified	1.82 gram/hr
Efficiency (EPA HHV)*	60%
Efficiency (EPA LHV)	64.5%
Flue Size	4" (102mm)
US Biomass Tax Rebate Eligible	No

\*US Biomass Tax Rebate eligibility is based on the HHV value being greater than or equal to 75%.

### DIMENSIONS



### CLEARANCES TO COMBUSTIBLES



These dimensions are minimum clearances but it is recommended that you ensure sufficient room for servicing, routine cleaning and maintenance.

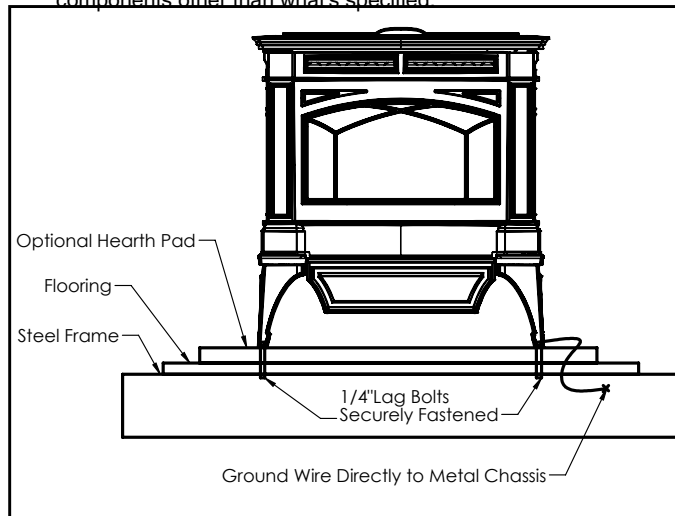
Side wall to unit	9 inches	(229mm)
Back wall to unit	3 inches	(76mm)
Corner to unit	3 inches	(76mm)
Ceiling height	60 inches	(1524mm)

Alcove Maximum Depth	36 inches	(914mm)
Alcove Minimum Width	48 inches	(1219mm)
Alcove Minimum Height	60 inches	(1524mm)

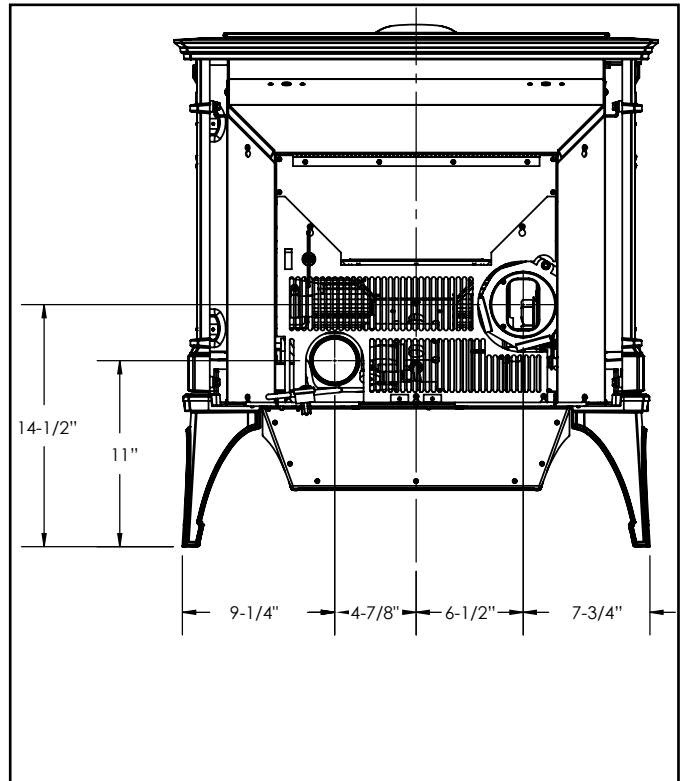
The unit must be installed with a minimum of 6" (152 mm) of floor protection in front of and to the sides of the door opening.

## MOBILE HOME INSTALLATION

- Secure the heater to the floor using the four (4) holes in the pedestal.
- Ensure the unit is electrically grounded to the chassis of your home (permanently).
- Do not install in a room people sleep in.
- Outside fresh air is mandatory. Secure outside air connections directly to fresh air intake pipe and secure with three (3) screws evenly spaced.
- All specified components must be used. Do not use any components other than what's specified.



## EXHAUST AND FRESH AIR INTAKE LOCATION



### THIS UNIT USES A 4" EXHAUST VENT.

#### EXHAUST:

Base of unit to center of flue  
15½" (392 mm)

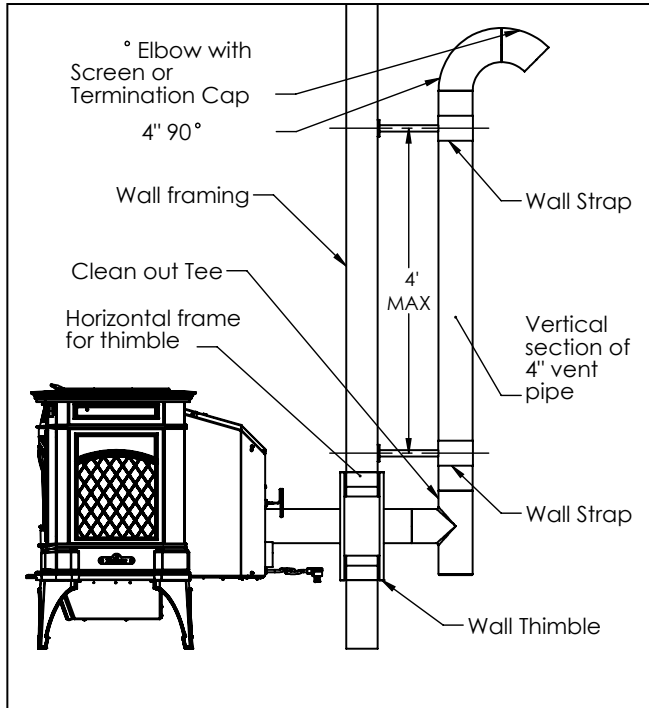
Center of unit to center of flue  
6¾" (162 mm)

#### FRESH AIR INTAKE:

Base of unit to center of intake  
12" (305 mm)

Center of unit to center of intake  
4¾" (126 mm)

### THROUGH WALL WITH VERTICAL RISE AND HORIZONTAL TERMINATION INSTALLATION



### THROUGH CONCRETE WALL WITH VERTICAL RISE INSTALLATIONS

