

L850B Montrose Wood Fireplace

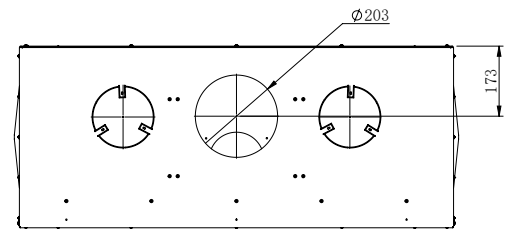
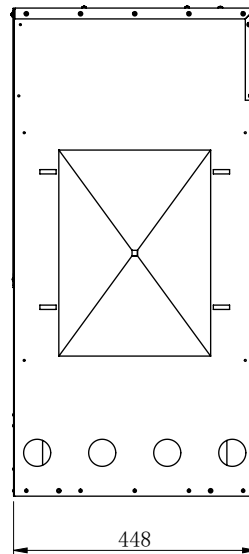
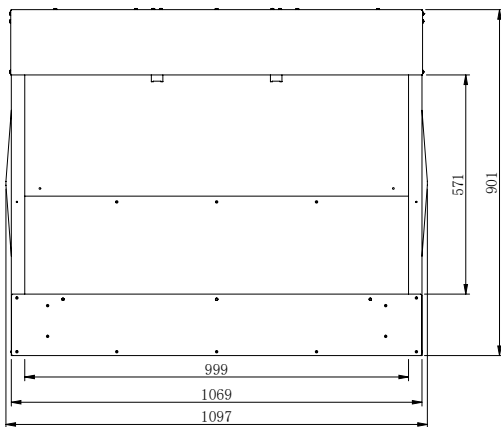
L850B-1	
Flue Size	152mm
Efficiency	62%
Average Heat Output (kW)	11kW
Emissions	1.2g/kg
Heating Capacity	100 - 200 sq.m*

* Varies depending on home floor plan, house layout, heat loss of the house and quality/moisture content of wood. Also depending on the number of fans fitted and ducting kits.

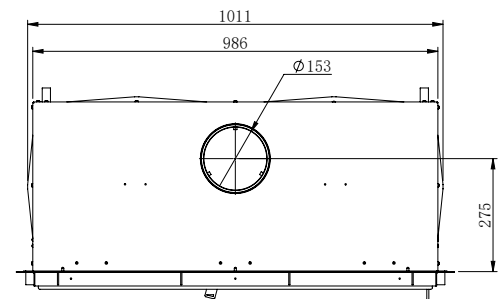
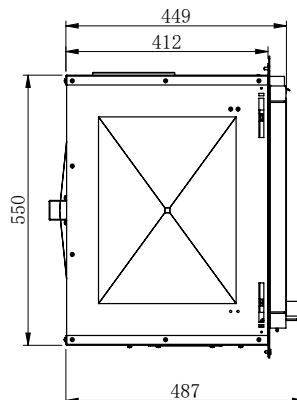
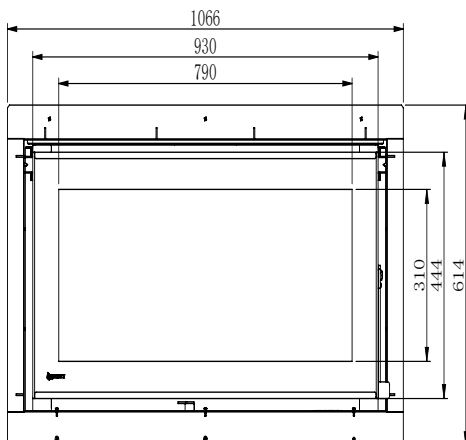


Unit Dimensions

1. Reduced Clearance Box Dimensions



2. Standard Firebox Front Dimensions



Unit Dimensions

Dimensions

The outside dimensions of the Montrose L850 including the Reduced Clearance Box is as follows:

- Width 1097mm
- Depth = 448mm
- Height = 801mm

Height of optional Base Framing Kit = 300mm

Note: Base is non-combustible and needs assembly

COMBUSTIBLE CAVITY REQUIREMENTS

Cavity Depth = Minimum 548mm - 720mm

Note: Cavity depth is determined by the position of support strips and thickness of non-combustible wall finish. Rear clearance must be a minimum of 100mm to combustibles.

CAVITY WIDTH = 1497MM TO COMBUSTIBLES.

Height of reduced clearance box off the ground should be a minimum of 300mm and supported by a non-combustible stand able to support 265kg.

CAVITY HEIGHT: Timber framing in the ceiling cavity must be a minimum of 1200mm above the reduced clearance box.

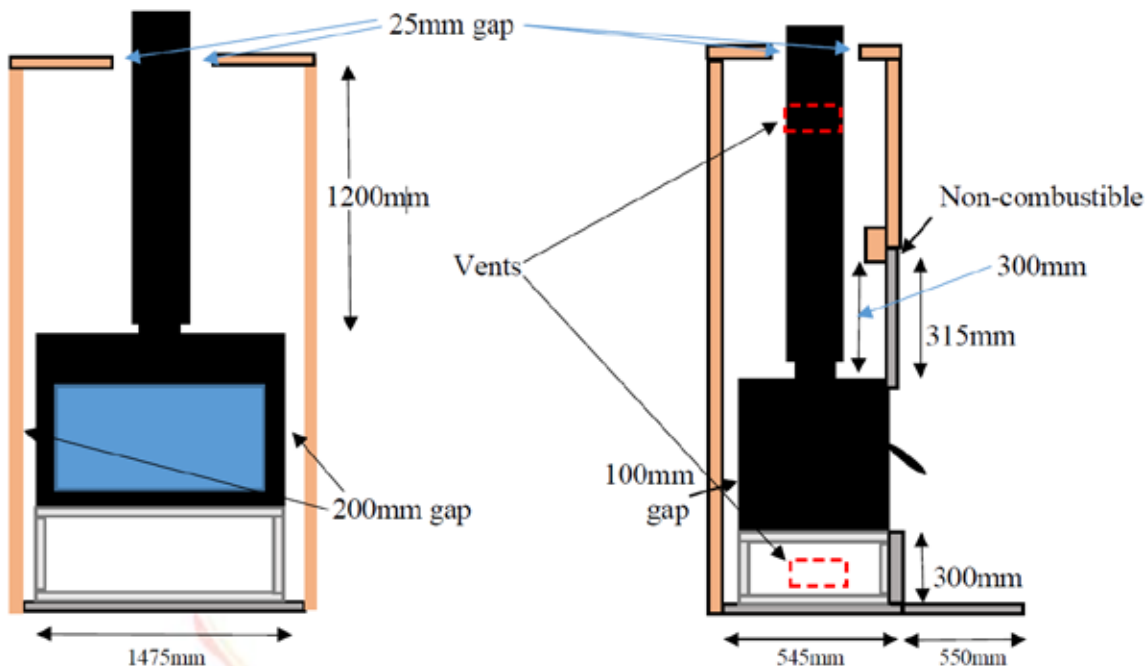
Flue

- Minimum 4.5 Meters of triple skin flue required with approved cowling. Regency approved flue kit to be used.

Optional Ducting

- One or two optional fan forced ducting kits are available, using 150mm ducting to a max run of 9 meters

Clearance Dimensions



Wood Fireplace Specifics and Minimum Clearances to Combustibles

Enclosure Ventilation

Unit cavity to have a minimum of two 20,000mm² air vents must be installed, one 300mm from the top of the enclosure and one 50mm from the bottom of the enclosure to stop excessive heat built up in the enclosure.

Wall Materials

Non-combustible material with a minimum thickness of 9mm must be used on the front wall of the reduced enclosure. Non combustible board and non combustible cladding to finish up to the standoff brackets. Must maintain 20mm gap around entire face of the unit.

Please note: Non-combustible materials need to be fit for purpose as wall temperatures can exceed 250°.

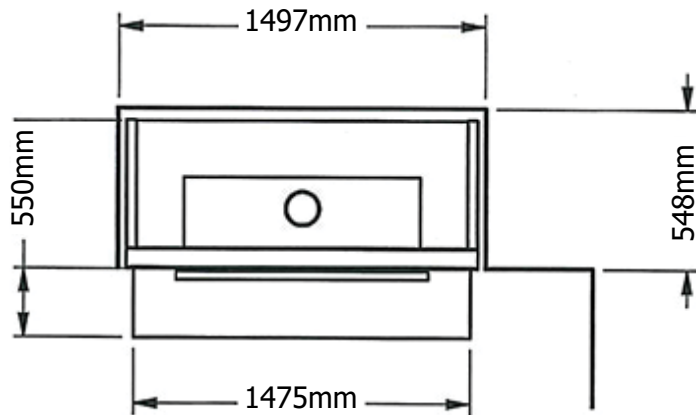
Hearth / Floor Protection Requirements

Hearth needs to be 6mm thick, 1475mm wide and 1,100mm deep to allow for 550mm leading edge. We do recommend that your non-combustible hearth extends 900mm in front of the unit. This allows the floor to be protected when the door is fully open in case of ember drop.

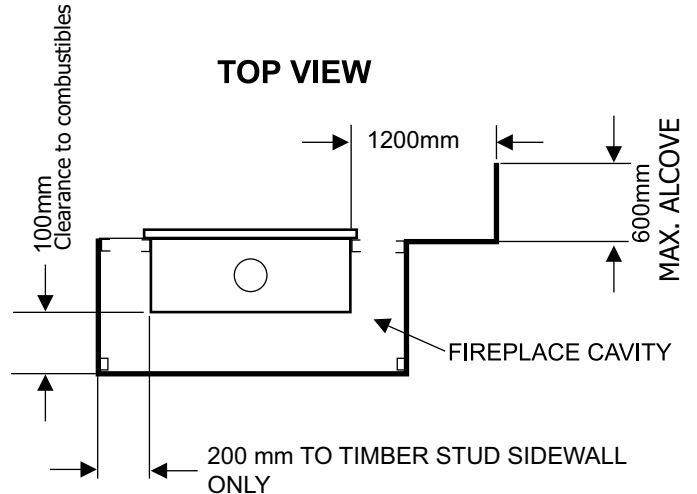
The appliance must be installed on a non-combustible stand 300mm above the hearth.

Cavity

Timber framing in the ceiling cavity must be a minimum of 1200mm above the zero box.



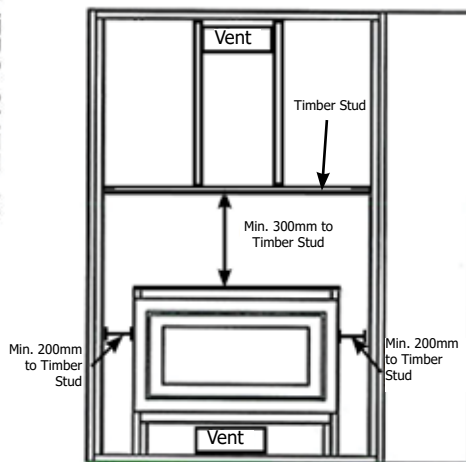
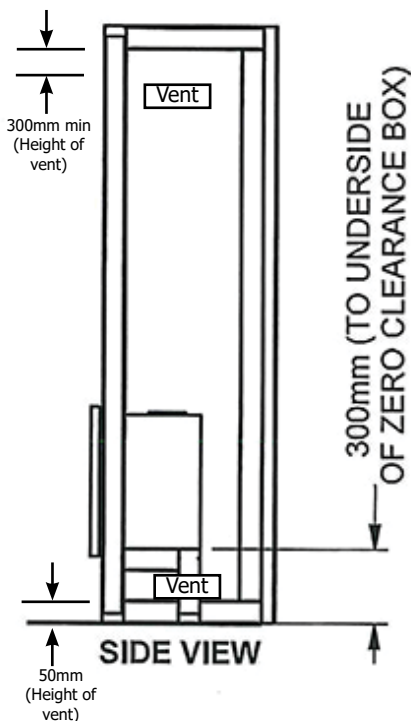
CAVITY SIZE AND HEARTH PAD



CLEARANCE TO COMBUSTIBLES

NOTE: venting in the ceiling of the enclosure around the outer triple flue skin must be a minimum of 25mm clearance evenly spaced around the outer casing.

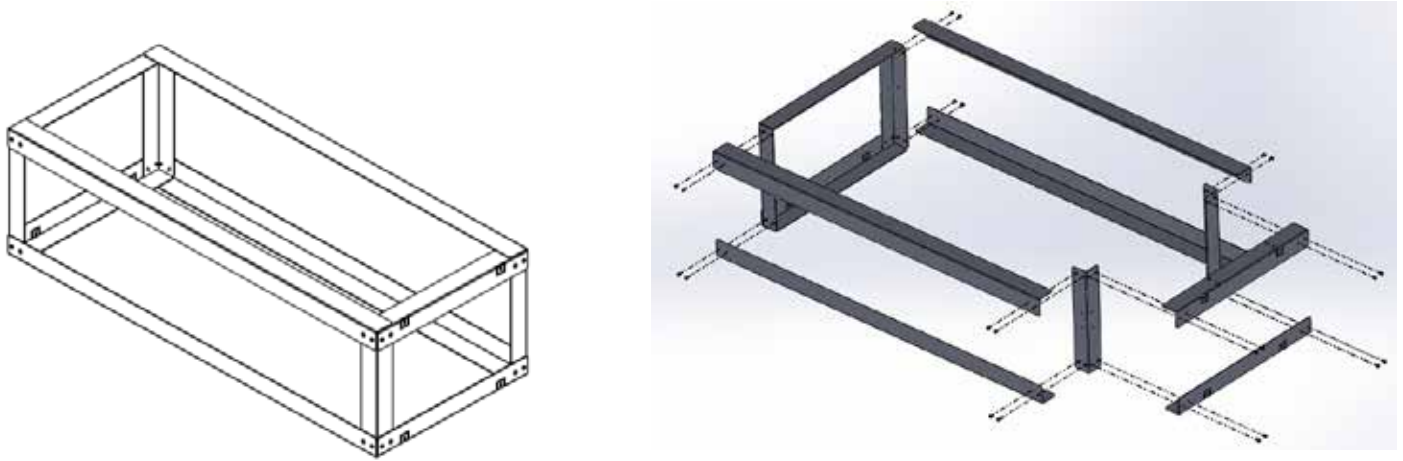
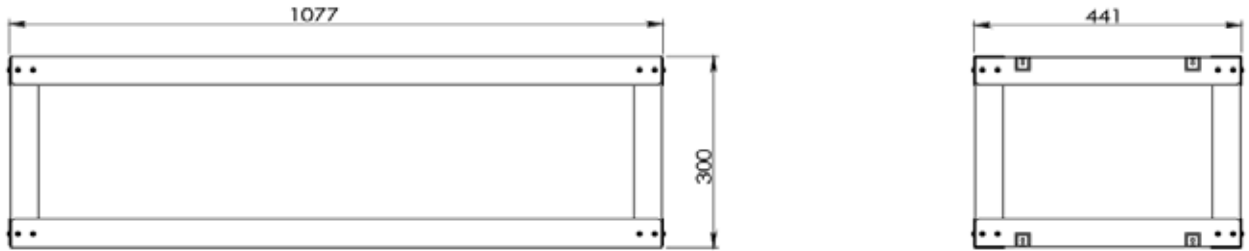
MUST USE NON-COMBUSTIBLE MATERIALS 315MM ABOVE THE UNITS OUTER SHELL (REDUCED-CLEARANCE BOX), 200MM FROM THE SIDES OF THE OUTER SHELL AND ALL BELOW THE HEATER.



6mm THICK CEMENT FIBRE FREE SHEET AS HEARTH (1475mm x 1100mm)

Hearth extends under unit base

Optional Base Frame

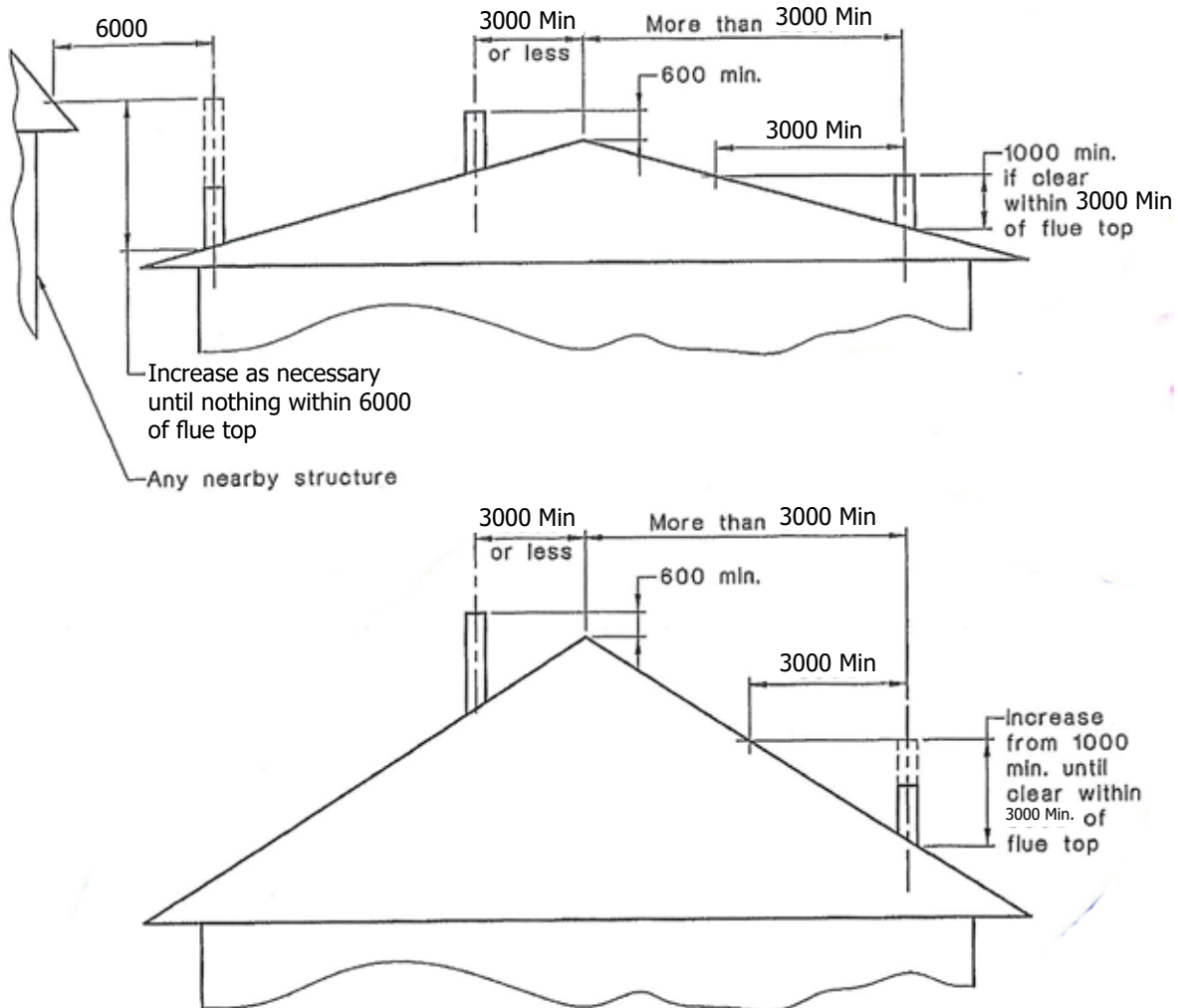


CONSTRUCTING YOUR OWN BASE FRAME

WHEN BUILDING YOUR OWN BASE FRAME OR PEDESTAL BASE PLEASE ENSURE THE FOLLOWING CONDITIONS ARE MET:

1. MINIMUM HEIGHT OF THE BASE FRAME IS 300MM FROM THE FLOOR PROTECTOR / HEARTH TO THE UNDERSIDE OF THE REDUCED CLEARANCE BOX. IF BASE FRAME DOES NOT SIT ON THE SAME LEVEL OF THE FINISHED FLOOR, THEN THE FRAME NEEDS TO BE MADE TALLER TO ENSURE THE 300MM CLEARANCE IS MET. (SEE PAGE 10).
2. ENSURE THE BASE IS HOLLOW REGARDLESS OF USING OPTIONAL OUTSIDE AIR KIT OR NOT.
3. ENSURE THE BASE IS CONSTRUCTED OF NON-COMBUSTIBLE MATERIALS
4. ENSURE THE BASE CAN WITHSTAND THE WEIGHT OF AT LEAST 265KG PLUS.
5. ENSURE THE FLOOR BENEATH THE BASE CAN WITHSTAND AT LEAST 265KG PLUS.

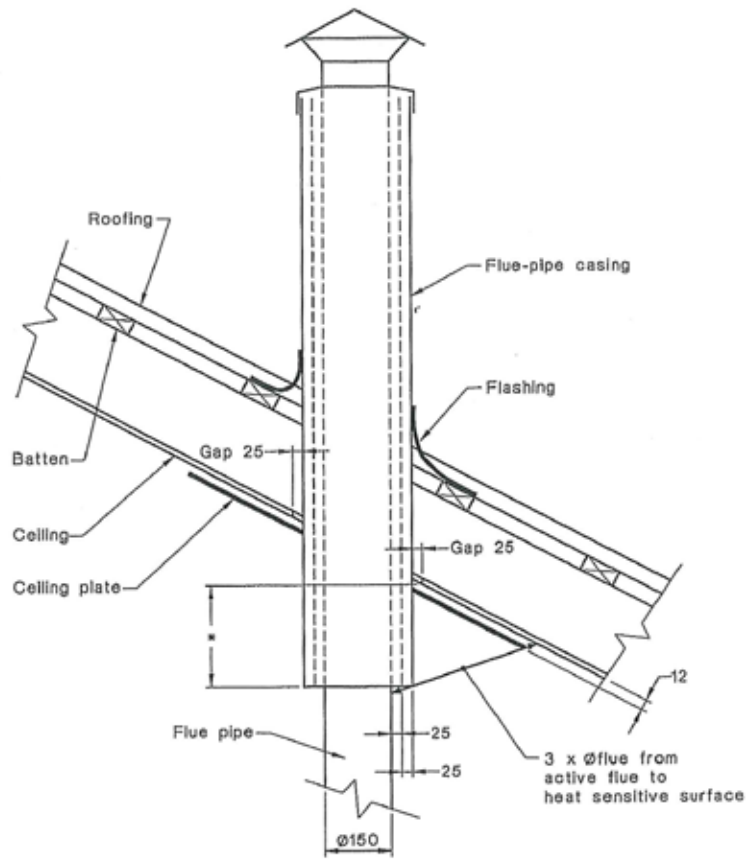
Flue Requirements



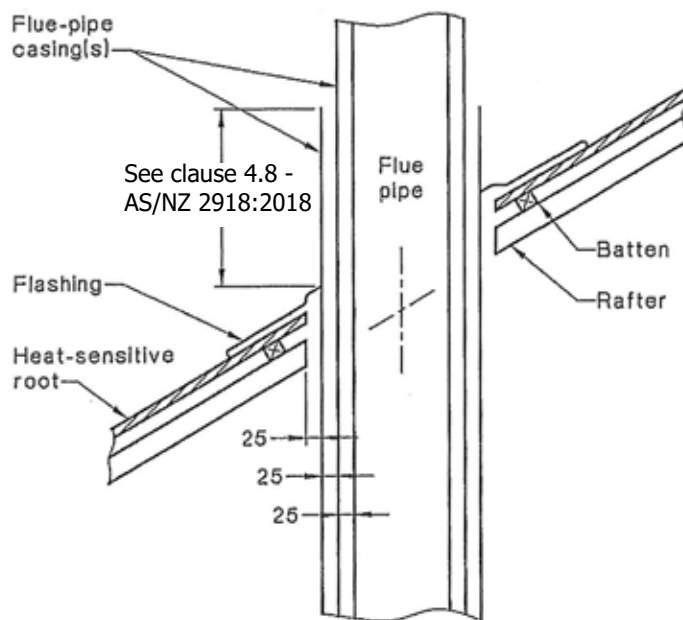
THE FLUE PIPE SHALL EXTEND NOT LESS THAN 4.6 M ABOVE THE TOP OF THE FLOOR PROTECTOR/HEARTH.

NOTE: INSTALLATION MUST BE CARRIED OUT BY A LICENSED INSTALLER IN ACCORDANCE WITH AS/NZS 2918:2018

Flue Requirements



Typical Example of a Sloped Ceiling Penetration



Example of Roof Penetration