

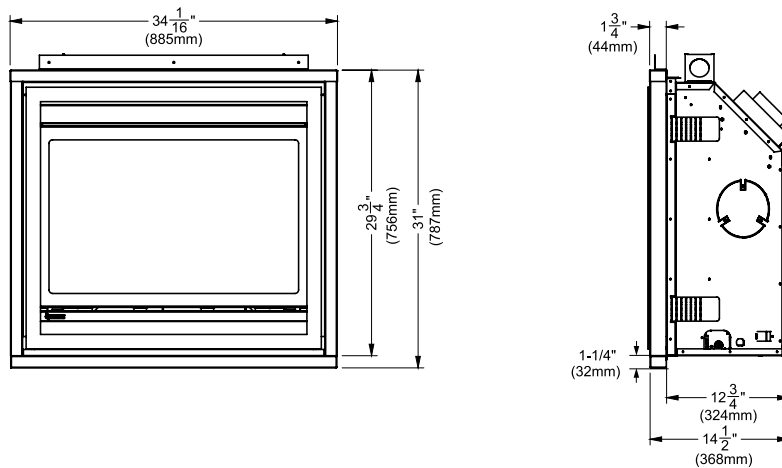
P33 Gas Fireplace

| Model | P33-NG10 | P33-LP10 |
|--|---------------------------|---------------------------|
| Fuel Type | Natural Gas | Propane |
| Minimum Supply Pressure | 5" W.C. (1.25 kPa) | 11" W.C. (2.74 kPa) |
| Manifold Pressure - High | 3.5" W.C. (0.87 kPa) | 10" W.C. (2.49 kPa) |
| Manifold Pressure - Low | 1.6" W.C. (0.39 kPa) | 6.4" W.C. (1.59 kPa) |
| Orifice Size | #44 DMS | #55 DMS |
| Minimum Input Altitude 0-4500 ft. (0-1370m) | 14,000 BTU/h (4.10 kW) | 14,500 BTU/h (4.24 kW) |
| Maximum Input Altitude 0-4500 ft. (0-1370m) | 20,000 BTU/h (5.86 kW) | 18,000 BTU/h (5.28 kW) |
| Vent Sizing | 4" Inner / 6 5/8" Outer | 4" Inner / 6 5/8" Outer |

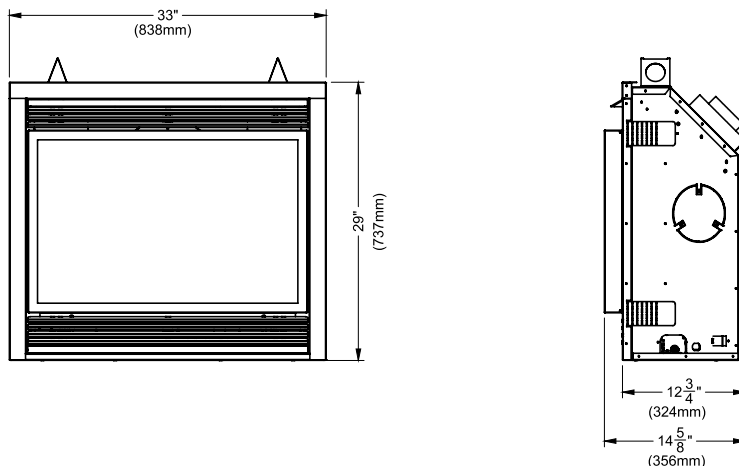


| Approved Venting Systems | |
|--------------------------|--|
| Flex Vent Systems: | FPI AstroCap™ Flex Vent |
| Rigid Pipe Vent Systems: | Simpson Direct Vent Pro® American Metal Products® Amerivent Direct Security Secure Vent® Selkirk Direct-Temp™ Metal-Fab® Sure Seal |

UNIT DIMENSIONS WITH VIGNETTE AND VIGNETTE FINISHING TRIM



UNIT DIMENSIONS WITH SAFETY SCREEN (#439-929) AND OPTIONAL LOUVERS



CLEARANCES WITH VIGNETTE FACEPLATE

Caution Requirements

The top, back and sides of the fireplace are defined by standoffs. The metal ends of the standoff may **NOT** be recessed into combustible construction.

WARNING

Fire hazard is an extreme risk if these clearances (air space) to combustible materials are not adhered to. It is of greatest importance that this fireplace and vent system be installed only in accordance with these instructions.

The clearances listed below are Minimum distances unless otherwise stated:

A major cause of chimney related fires is failure to maintain required clearances (air space) to combustible materials.

It is of the greatest importance that this fireplace and vent system be installed only in accordance with these instructions.

Clearance to Combustibles from:

Back 0" (0mm)
Side 0" (0mm)
Floor 0" (0mm)

Minimum Clearance from Top of Unit to:

Mantel* min. 10" (254mm)
Ceiling 30" (762mm) from top of unit.
 Side Wall Clearance 7 - 1 / 2 " (191mm)

Minimum Vent Clearances:

2-1/2" (64mm) Horizontal Top
 1-1/2" (38mm) Horizontal Side
 1-1/2" (38mm) Horizontal Bottom
 1-1/4" (32mm) Vertical Vent Clearance

(Rigid Vent)
 1-1/2" (38mm) Vertical Vent Clearance (Flex Vent)

NOTE: The minimum floor clearance must be maintained from the top surface of the carpeting, tile, etc.

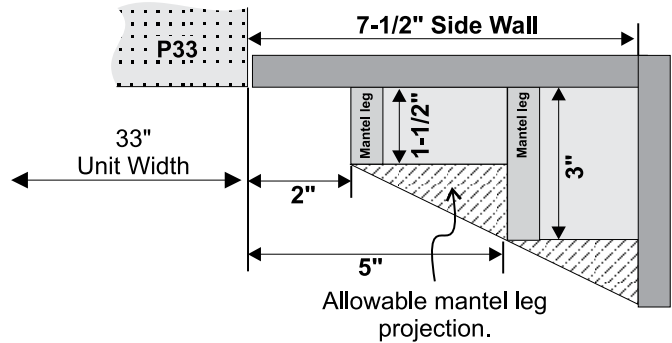
Alcove Clearances:

Max. Depth 36" (914mm)
Min. Width 48" (1219mm)
Min. Height 59" (1499mm)

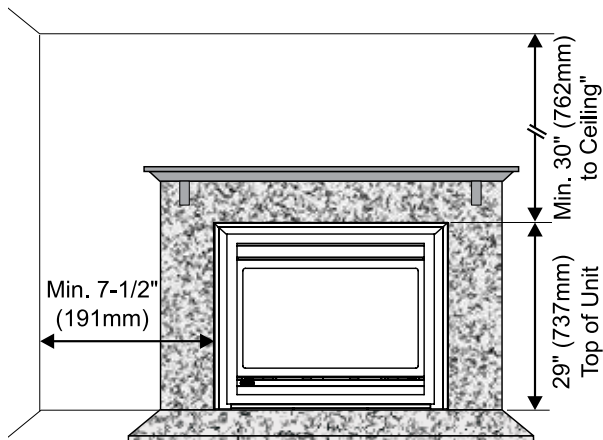
*See Mantel Clearance Instructions.

MANTEL LEG CLEARANCES WITH VIGNETTE FACEPLATE

Combustible mantel leg clearances from side of unit as per diagram:



Maximum 1-1/2" projection at 2" minimum clearance.



COMBUSTIBLE MANTELS

Because of the extreme heat this fireplace emits, the mantel clearances are critical.

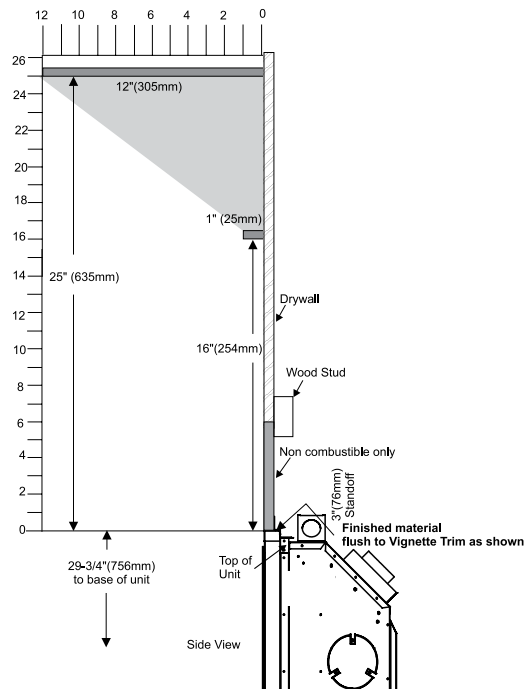
Combustible mantel clearances from top of unit are shown in the diagram below.

Note: A non-combustible mantel may be installed at a lower height if the framing is made of metal studs covered with a non-combustible board.

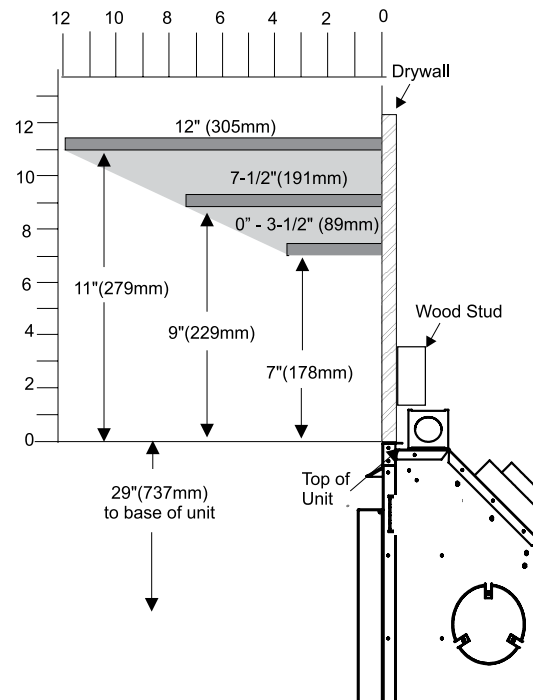
Note: Mantel starts at *1" deep and end at *12" deep. ****For Vignette with Vignette Finishing Trim flush finish**, all materials (framing & finishing) below the mantel and the width of the trim (34- 1/16") must be non-combustible if a lower mantel is desired.

Note: Ensure the paint that is used on the mantel and the facing is "heat resistant" or the paint may discolour.

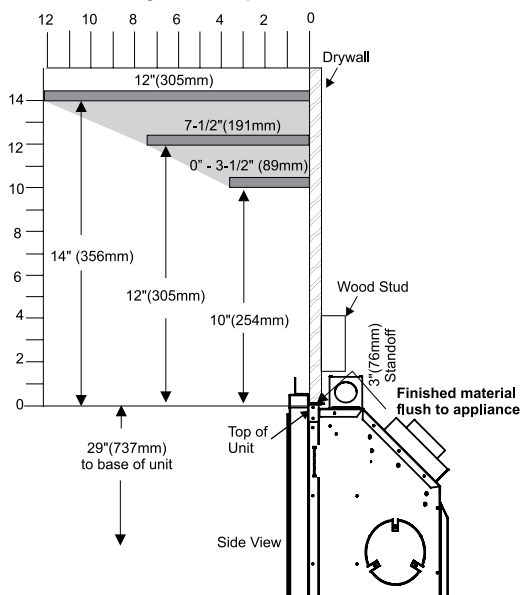
MANTEL CLEARANCES WITH VIGNETTE + VIGNETTE FINISHING TRIM FLUSH FINISH



MANTEL CLEARANCES WITH SAFETY SCREEN AND LOUVERS



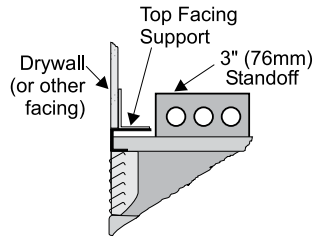
MANTEL CLEARANCES WITH VIGNETTE + VIGNETTE FINISHING TRIM STEPPED FINISH



FRAMING AND FINISHING

- Determine the total thickness of facing material (e.g. drywall plus ceramic tiles) to allow the finished surface to be flush with the front of the unit. Total facing thickness can vary from 1/2" (13mm) to 1-1/4" (32mm) thick.

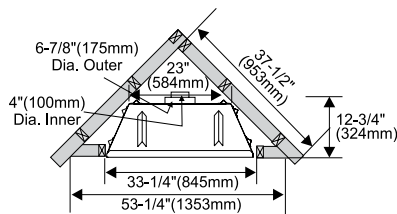
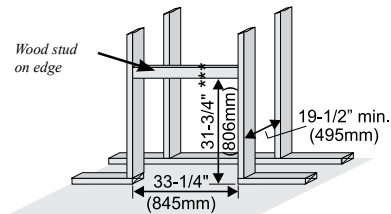
Install Side Nailing Strips, and Top Facing Support before unit is slipped into position. See "Unit Assembly Prior to Installation" Section



- Frame in the enclosure for the unit with framing material - see next page for dimensions.

Vertical Termination or Vertical Rise with Horizontal Termination

For Both Rigid & Flex - Vignette and Vignette Finishing Trim or Safety Screen and Louvers

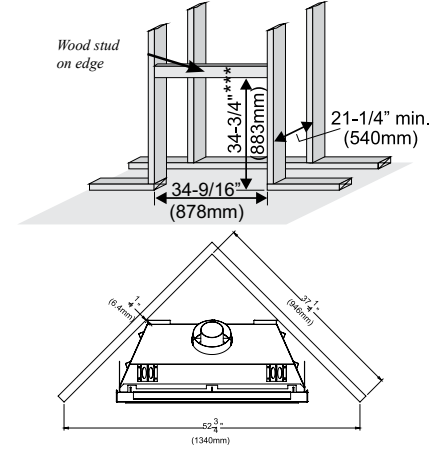


*** **NOTE:** If using the optional Vignette finishing trim, this can be installed as a 3-sided or 4 sided finish trim. If choosing to use this as a 4 sided finish trim the framing would need to be increased in height by 1-1/4" inches minimum in order for this to fit. This must be to the finished floor. (Example: 34 3/4" framing height + 1-1/4" to bottom of 4-sided finishing trim + 1/2" thick finished floor = 36 1/2" total framing height)

NOTE: If this is an outside corner, the minimum distance between the vent and the outside corner is 6" (15cm) with AstroCap termination cap or 12" (30cm) with Rigid Vent termination cap. (For example Dura-Vent).

Vertical Termination or Vertical Rise with Horizontal Termination

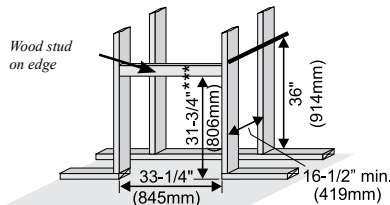
For Both Rigid & Flex - Vignette and Vignette Finishing Trim - Finished Flush



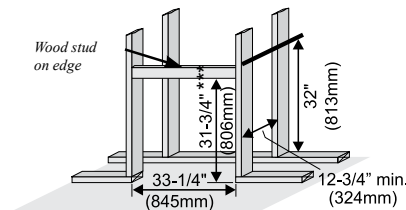
Rear Termination

For Both Rigid & Flex - Vignette and Vignette Finishing Trim or Safety Screen and Louvers

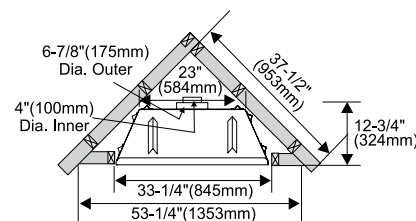
For Rigid Vent



For Flex Vent



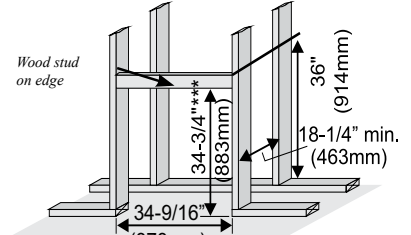
For Both Rigid & Flex



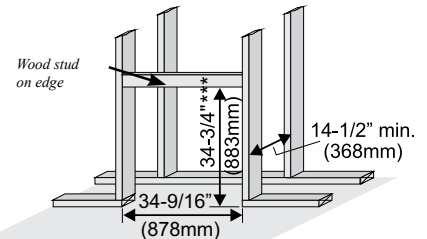
NOTE: If this is an outside corner, the minimum distance between the vent and the outside corner is 6" (15cm) with AstroCap termination cap or 12" (30cm) with Rigid Vent termination cap. (For Example Dura-Vent).

Rear Termination-Vignette and Vignette Finishing Trim - Finished Flush

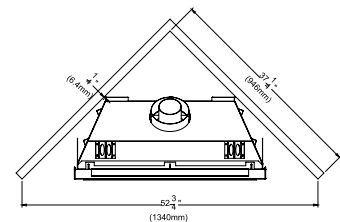
For Rigid Vent



For Flex Vent



For Both Rigid & Flex



- For exterior walls, insulate the enclosure to the same degree as the rest of the house, apply vapour barrier and drywall, as per local installation codes. **(Do not insulate the fireplace itself.)**

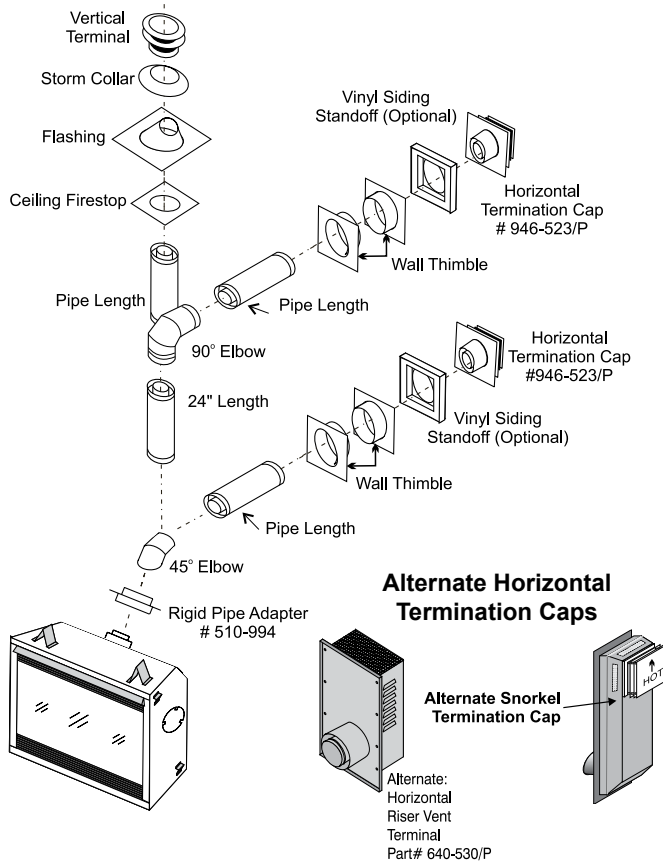
- The top of the unit must not be closer than 30" (762mm) to the ceiling.

- Combustible material may be brought up to the top and sides of the unit and be covered with ceramic tiles, bricks, rock or other suitable combustible finishing materials.

Note: The unit does not have to be completely enclosed in a chase. The clearance on top of the unit is 0" to the standoffs so combustible building materials can be laid directly on top of the standoffs. You must maintain clearance from the vent to combustible materials for flex or for Rigid Vent (Refer to "Clearances" Section).

Rigid Pipe Venting

Horizontal or Vertical Terminations



If required by the external termination location the listed alternate termination caps may be used. (Refer to Page 10.)

Venting Arrangements - Vertical Terminations

Rigid Pipe System

(Propane & Natural Gas)

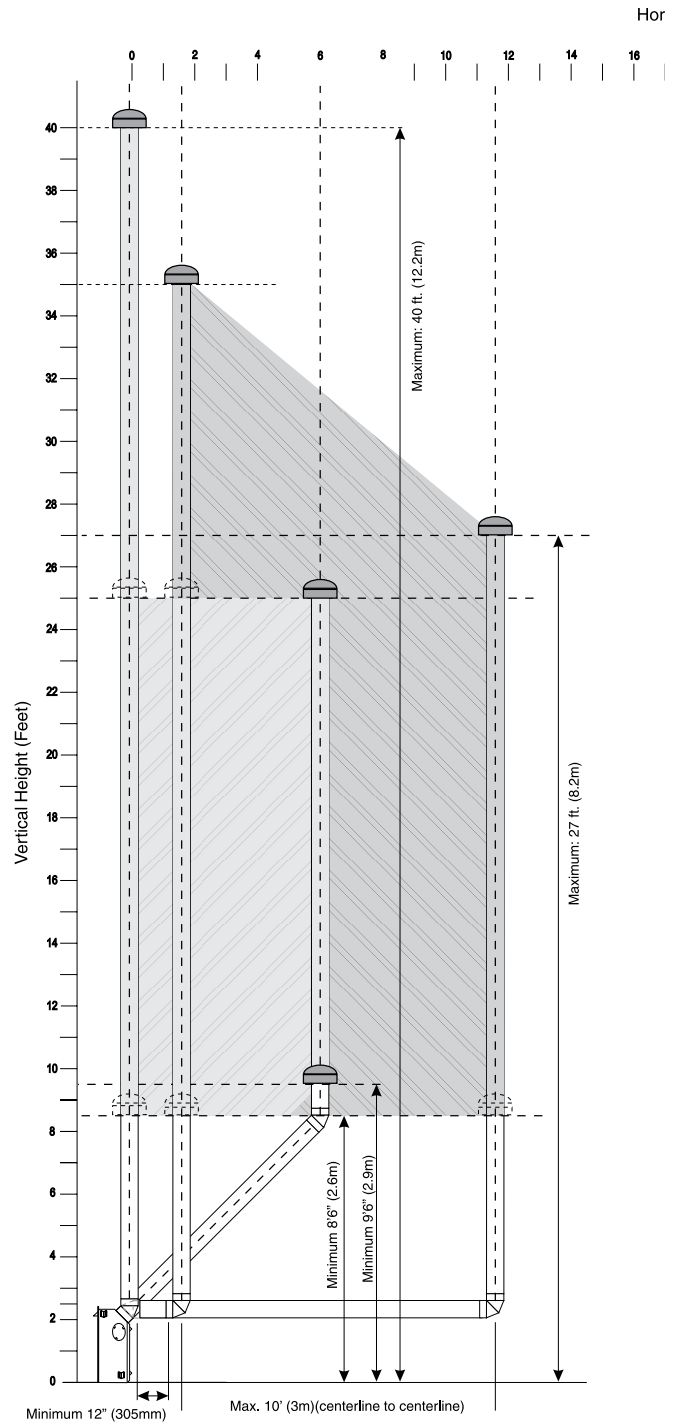
The P33 is approved for a maximum 40 ft. straight vertical, with **Rigid Pipe** vent systems for Propane and Natural Gas.

The lightly shaded area, , in the diagram shows allowable venting configurations with a maximum two 45° elbows.

The darker shaded area, , in the diagram shows allowable venting configurations using one 45° and one 90° elbow.

- **Vent must be supported at offsets.**
- **Horizontal sections must be supported every 3 feet.**
- **Firestops are required at each floor level and whenever passing through a wall.**
- **Maintain clearances to combustible materials.**
- **Minimum of 1' pipe section between elbows.**

Note: Must use optional rigid pipe adapter when using Rigid Pipe (Part # 510-994)



Venting Arrangements - Horizontal Terminations

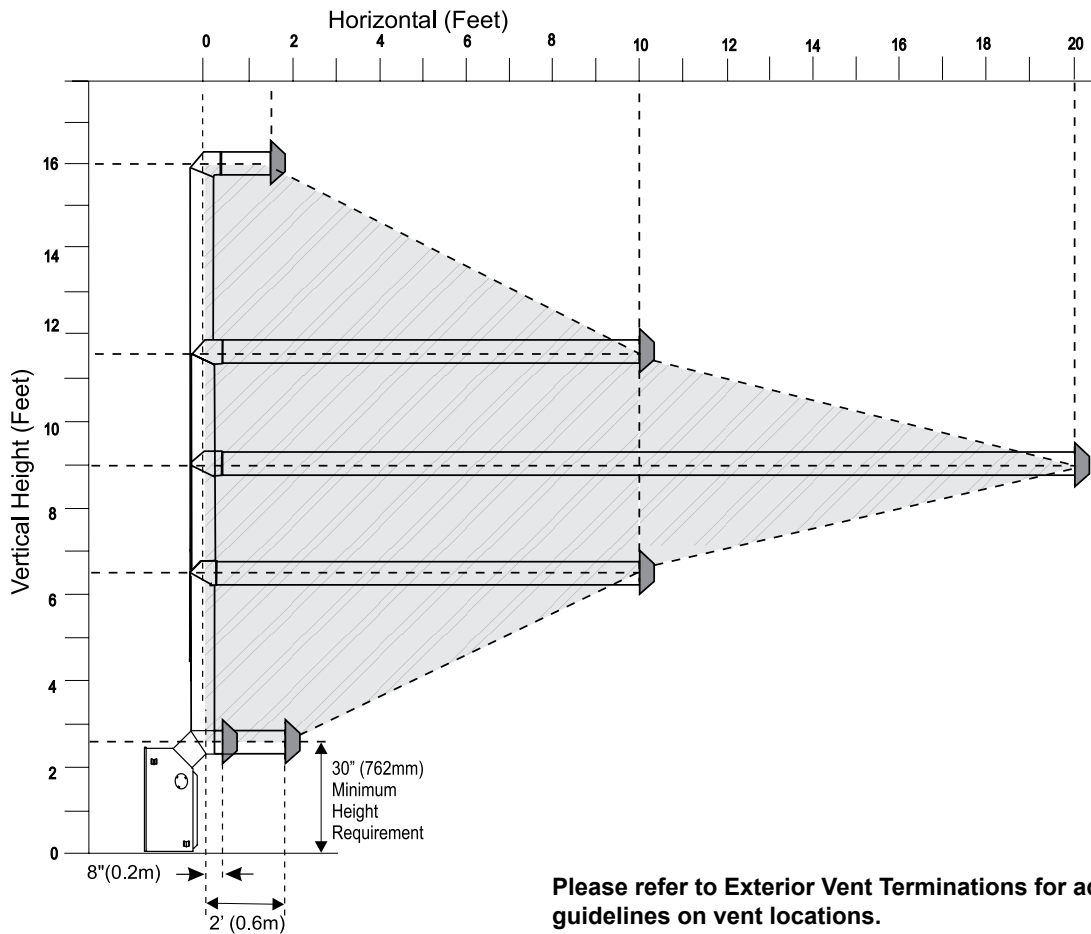
This diagram shows all allowable combinations of vertical runs with horizontal terminations, using one 45° and one 90° elbow (two 45° elbows equal one 90° elbow).

Note: Must use optional rigid pipe adaptor (Part # 510-994) when using rigid pipe vent systems. (Refer "Rigid Pipe Venting Systems" Section)pe.

- Maintain clearances to combustibles.
- Horizontal vent must be supported every 3 feet.
- Firestops are required at each floor level and whenever passing through a wall.

A vent guard may be required as per local codes, refer to **Exterior Vent Termination Locations**.

Note: FPI Direct Vent System (Flex) is only approved for horizontal terminations.



Please refer to Exterior Vent Terminations for additional guidelines on vent locations.

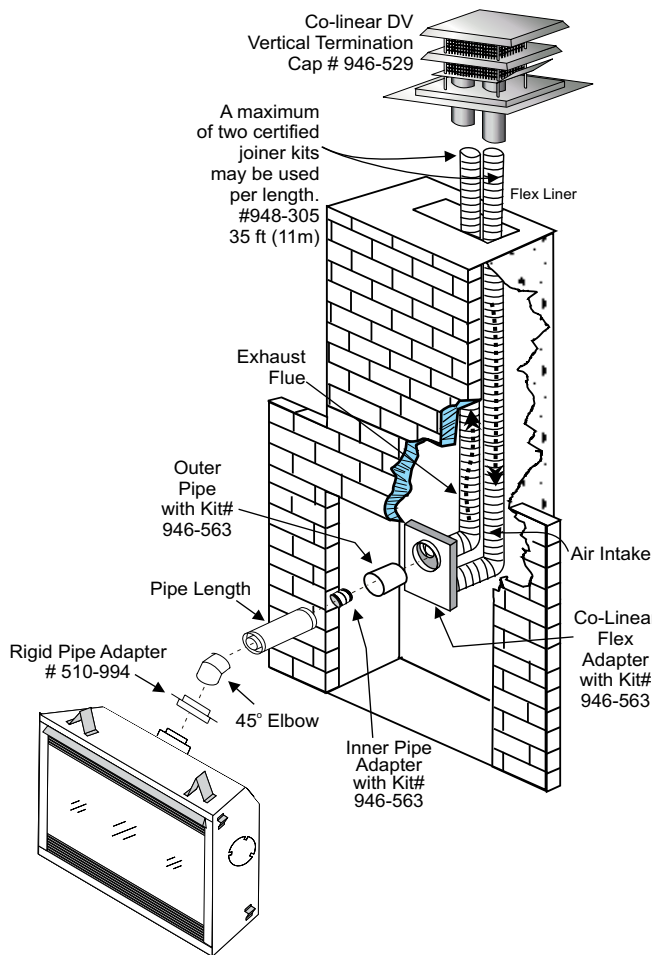
Vertical termination with co-linear flex system

The appliance must not be connected to a chimney flue serving separate solid fuel burning appliance.

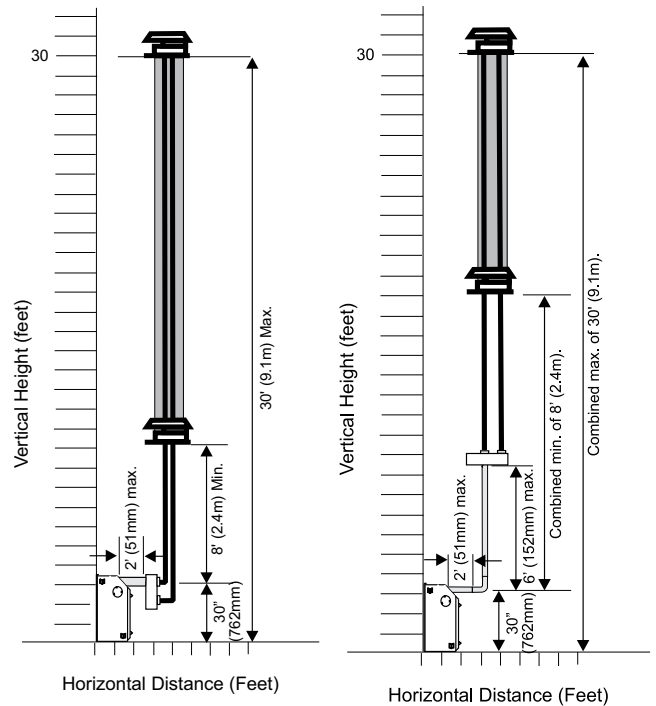
Masonry chimneys may take various contours which the flexible liner will accommodate. However, **keep the flexible liner as straight as possible**, avoid unnecessary bending.

The Air Intake pipe must be attached to the inlet air collar of the termination cap.

This appliance is designed to be attached to two 3" (76mm) co-linear aluminium flex running the full length of the chimney. See the Venting Arrangements for minimum and maximum heights.



| Required Parts: | |
|-------------------------|---------------------------------------|
| Part # | Description |
| 946-529 | Co-linear DV Vertical Termination Cap |
| 948-305 | 3" Flex - 35 ft. |
| 946-563 | Coaxial to Co-linear Adapter Kit |
| 510-994 | Rigid Pipe Adapter |
| 46DVA-E45 | 45° Elbow |
| Alternate Approved Caps | |
| 46dva-VC | Vertical Termination Cap |
| 46dva-VCH | High Wind Cap |
| 46dva-GK | 3" Co-linear Adapter with flashing |



The shaded area in the diagrams show the allowable vertical terminations.

Please refer to Exterior Vent Terminations for additional guidelines on vent locations.