



WOOD FIRES

FREESTANDING WOOD HEATERS



regency-fire.com.au

WHY CHOOSE REGENCY?

For the past 40+ years Regency has been focused on creating innovative, high-quality and reliable products that reduce heating costs and add true value to the home. We design all our products to be durable and last a lifetime so that our customers can enjoy them for years to come.

HIGH-QUALITY

Producing a high-quality product has been at the very heart of what we do from when that very first stove rolled off the production line over 40 years ago to today. We are ever-focused on producing quality products for our customers that will last for years to come.

BEST WARRANTY

A fireplace should be reliable and should work right the first time it is used, and the 1,000th. A core part of our business is making sure that we are building long-lasting, durable, high-quality products; we back-up that commitment with the industry's best warranty on all our products.

COST-EFFICIENT

Never before have home heating costs been higher. Turn your furnace way down and zone heat with our beautiful, reliable and convenient Regency products. Not only can you cut your fuel bills in half, but you'll be able to enjoy the timeless comfort of a Regency fire.

Why Regency? Because it's *more* than a fireplace!



TABLE OF CONTENTS

Narrabri®	04
Cardinia®	05
Renmark®	06
Alterra®	07
Albany®	08
Hume	09
Gosford	10
Windsor	11
Hamilton	12
Specifications	13



REGENCY NARRABRI®

Small Wood Fire



Narrabri wood fire.

The Narrabri is a perfect fit for smaller rooms providing heat that is fully adjustable with the easy to use, single rod draft control. With a steel firebox and quality firebrick lining, this heater will provide your home with warmth for years to come.

STANDARD FEATURES

- Heats approx. 100 - 140 sq.m*
- Glass viewing area (340 x 250mm)
- Single rod draft control
- Strong bakelite handles
- Steel firebox with firebrick lining on the sides
- Airwash system
- Adjustable leg bolts for levelling on uneven surfaces
- Emissions: 1.4 g/kg

REGENCY CARDINIA®

Medium Wood Fire



Cardinia wood fire.

Designed to heat small to medium sized living areas, the simple modern lines of the Cardinia suit a wide range of decors. This radiant heater boasts several features, including: a large glass viewing area, the ability to heat approximately 160 - 200 sq.m* and front-to-back or side-to-side log placement.

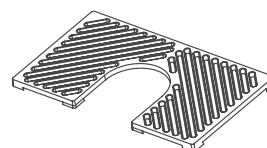
STANDARD FEATURES

- Heats approx. 160 - 200 sq.m*
- Large glass viewing area (458 x 260mm)
- Single rod draft control
- Strong bakelite handles
- Steel firebox with firebrick lining on the sides
- Airwash system
- Low emissions: 0.5 g/kg

OPTIONS

- Steel baffle
- Cast iron liners
- Cast iron cook top

CARDINIA CAST COOK TOP



*Varies depending on home floor plan, house layout, heat loss of the house and quality/moisture content of wood.

REGENCY RENMARK®

Medium Wood Fire



Renmark wood fire.

Its contemporary design and large viewing area sets the Renmark apart from traditional freestanding wood fires. This convection heater, with optional 2-speed fan, is designed for medium sized living areas and can easily heat approximately 180 - 220 sq.m.

STANDARD FEATURES

- Heats approx. 180 - 220 sq.m*
- Large glass viewing area (458 x 260mm)
- Single rod draft control
- Strong bakelite handles
- Steel firebox with firebrick lining on the sides
- Airwash system
- Low emissions: 0.5 g/kg

OPTIONS

- 2-speed thermostatically controlled fan
- Steel baffle
- Cast iron liners

REGENCY ALTERRA®

Medium Wood Fire



Alterra wood fire.

A wood burning stove with modern appeal! The contemporary design of Regency's Alterra wood stove puts the focus on the brilliant glowing fire. With an impressive viewing area, and a convenient firewood storage area, the Alterra is perfectly proportioned for visual pleasure and functional convenience.

STANDARD FEATURES

- Heats approx. 200 - 240 sq.m*
- Large glass viewing area (461 x 260mm)
- Single rod draft control
- Strong bakelite handles
- Steel firebox with firebrick lining on the sides
- Airwash system
- 2-speed thermostatically controlled fan
- Low emissions: 0.5 g/kg
- Black side panels

OPTIONS

- Stainless steel side panels
- Steel baffle
- Cast iron liners

**Varies depending on home floor plan, house layout, heat loss of the house and quality/moisture content of wood.*

REGENCY ALBANY®

Medium Wood Fire



Albany wood fire.

The Albany sets the standard for the industry's most reliable, well-constructed freestanding wood fire; providing beautiful wood heat to a large living area of 200 - 240 sq.m*. Load wood front-to-back or side-to-side for optimum convenience, then sit back and enjoy the warmth.

STANDARD FEATURES

- Heats approx. 200 - 240 sq.m*
- Large glass viewing area (458 x 260mm)
- Single rod draft control
- Strong bakelite handles
- Steel firebox with cast iron and firebrick lining
- 8mm steel baffle
- Airwash system
- Powerful 3-speed thermostatically controlled fan
- Low emissions: 0.5 g/kg

REGENCY HUME

Extra Large Wood Fire



Hume wood fire.

The Hume provides a dramatic wide glass view of an incredible fire while warming larger living areas. The firebox is specially designed to maximize heat output and is fitted with a 3-speed fan for extra circulation.

STANDARD FEATURES

- Heats approx. 280 - 320 sq.m*
- Large glass viewing area (577 x 277mm)
- Single rod draft control
- Strong bakelite handles
- Steel firebox with cast iron lining & a firebrick base
- 8mm steel baffle
- Airwash system
- Powerful 3-speed fan
- Low emissions: 1.5 g/kg

**Varies depending on home floor plan, house layout, heat loss of the house and quality/moisture content of wood.*

REGENCY GOSFORD

Extra Large Wood Fire



Gosford wood fire.

Impressive in size and performance, the Gosford delivers incredible high efficiency heat for maximum comfort. The sleek styling is complemented by Regency's tradition of reliability and leading edge wood burning technology. The Gosford produces more heat using less wood by extending the burn.

STANDARD FEATURES

- Heats approx. 280 - 320 sq.m*
- Large glass viewing area (576 x 275mm)
- Single rod draft control
- Strong bakelite handles
- Steel firebox with cast iron lining & a firebrick base
- 8mm steel baffle
- Airwash system
- Powerful 3-speed fan
- Low emissions: 1.5 g/kg

REGENCY WINDSOR

Medium Wood Fire

**NEW
PRODUCT**



Windsor wood fire shown with arched door, legs and bottom shield.

Choose the Windsor and bring the wood fire warmth to your home. Perfect for heating large living areas (approx. 200 - 240 sq.m), this wood fire has all the modern conveniences: efficient heat, optional ash drawer, and easy operation; while keeping up with tradition.

STANDARD FEATURES

- Heats approx. 200 - 240 sq.m*
- Large glass viewing area (380 x 215 mm)
- Front mounted air adjustment
- High performance brick-lined firebox (base & sides) reflects heat
- Cast iron legs in black
- Cast iron arched door in black
- Low emissions : 1.3 g/kg

OPTIONS

- 2-speed thermostatically controlled fan
- Convector airmate
- Ash drawer
- Outside air kit

*Varies depending on home floor plan, house layout, heat loss of the house and quality/moisture content of wood.

REGENCY HAMILTON

Medium Wood Fire

**NEW
PRODUCT**



Hamilton wood fire shown with contemporary door and pedestal with optional convector airmate.

The Hamilton medium wood fire brings warmth and contemporary styling to your home. Perfect for heating large living areas (approx. 200 - 240 sq.m), this wood fire has all the modern conveniences: efficient heat, optional ash drawer, and easy operation.

STANDARD FEATURES

- Heats approx. 200 - 240 sq.m*
- Large glass viewing area (380 x 215 mm)
- Front mounted air adjustment
- High performance brick-lined firebox (base & sides) reflects heat
- Contemporary cast iron door
- Low emissions : 1.3 g/kg

OPTIONS

- 2-speed thermostatically controlled fan
- Convector airmate
- Ash drawer
- Outside air kit

SPECIFICATIONS (MM)

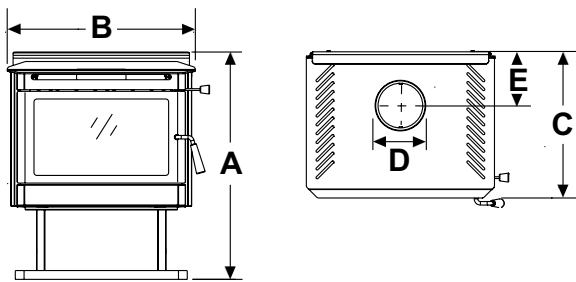
SPECIFICATIONS	Narrabri	Cardinia	Renmark	Alterra	Albany	Hume	Gosford	Windsor/ Hamilton
Heating capacity	100-140 m ²	160-200 m ²	180-220 m ²	200-240 m ²	200-240 m ²	280-320 m ²	280-320 m ²	200-240 m ²
Efficiency	67%	69%	69%	70%	70%	65%	65%	63%
Emissions (g/kg)	1.4	0.5	0.5	0.5	0.5	1.5	1.5	1.3
Average heat output (kW)	7.8	10	10	11	11	13	13	9.4

Where fitted thermostatically controlled fans do not activate until fire heats up and may take 20-30 mins.

NOTE: Heating capacity and any burn times are a guide only and can be affected by some or all of the following examples: home floor plan, house layout, heat loss of the house and quality/moisture content of wood.

Heating capacities are based on cooler Australian climate areas - warmer geographical locations within Australia such as Queensland, Northern NSW and Western Australia should factor an increase in unit heating area.

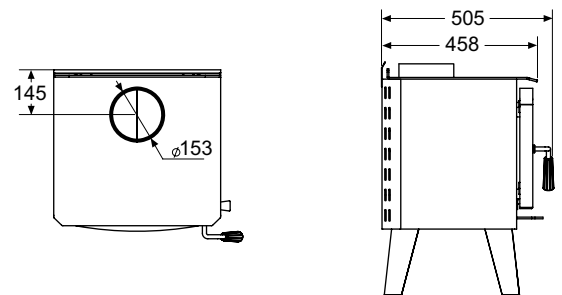
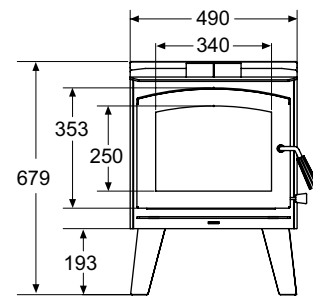
This is a guide - specifications based on the current model at time of publishing. Always refer to the data plate for unit specific details.



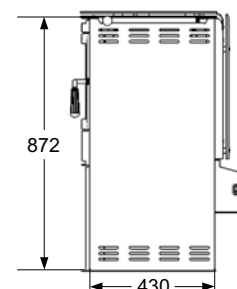
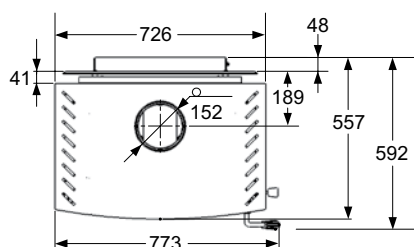
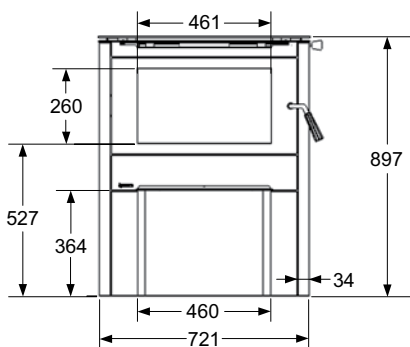
DIMENSIONS	A*	B	C	D	E
Cardinia	692	585	463	152	180
Renmark	712	640	497	152	183
Albany	792	688	482	152	194
Hume	859	769	539	152	170
Gosford	902	794	570	152	167
Hamilton / Windsor	879 / 798	610	630	152	163

* Measured to top of flue collar for height (Gosford)

NARRABRI

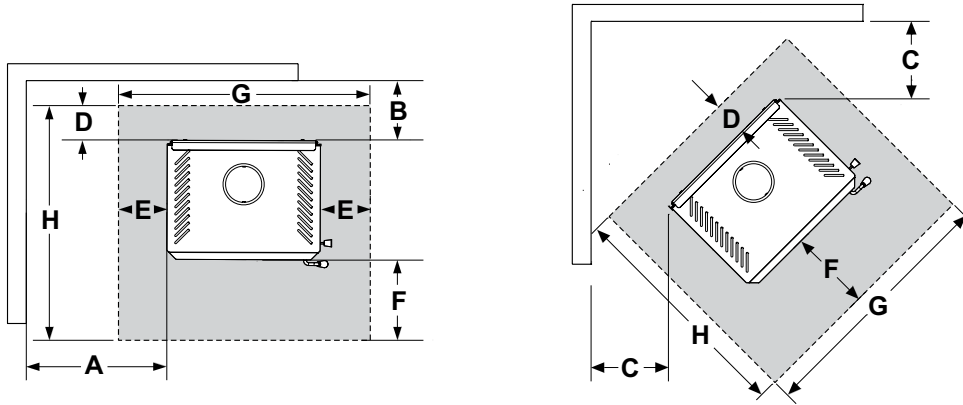


ALTERRA



SPECIFICATIONS (MM)

CLEARANCES TO COMBUSTIBLE MATERIALS & MINIMUM HEARTH MEASUREMENTS



RESIDENTIAL INSTALLATION			A	B	C	D	E	F	G	H
Narrabri	Standard Default Kit (3, 5)		650	225	375	0	135	300	760	780
Cardinia	Standard Default Kit (1)		700	225	450	192	147	450	880	1105
	AHD Special Kit		750	250	450	192	147	450	880	1105
Renmark	Standard Default Kit (1)		400	100	175	100	120	350	880	914
	AHD Special Kit (4)		450	100	175	100	120	350	880	914
Alterra	Standard Default Kit (1)		475	160	175	160	78	300	875	969
	AHD Special Kit		475	160	175	160	78	300	875	969
Albany	Standard Default Kit (2)		400	100	75	100	96	350	880	932
	AHD Special Kit		400	100	125	100	96	350	880	932
Hume	Standard Default Kit (2)		400	180	200	181	123	400	1015	1120
	AHD Special Kit		450	300	200	181	123	400	1015	1120
Gosford	Standard Default Kit (2)		390	160	200	160	123 (6)	380 (6)	1015	1080
	AHD Special Kit	Refer to Manual	420	220	200	220	123 (6)	380 (6)	1015	1140
Windsor/ Hamilton	Standard Default Kit (2)	Rear Deflector	450	100	275	0	118	300 (7)	845	990
	State Wide Heating 6141ws (8)	Rear Deflector	550	175 (9)	275	0	118	300 (7)	845	990

Note (1) Standard Default Kit used for clearances includes 1 x 900 mm length of 130° stainless between active flue and 2 lengths of decromesh.

Note (2) Standard Default Kit only required includes 2 lengths of decromesh.

Note (3) B clearance can be reduced to 125 mm by the addition of 1 x 900 mm x 180° stainless shield fitted and spaced between the active flue and the decromesh.

Note (4) AHD special kit can be substituted with Statewide Heating 6141ws kit + 95200.

Note (5) Standard default kit can be substituted with flomet super single flue kit.

Note (6) measured from front edge of floor protector to pedestal base.

Note (7) measured from appliance door.

Note (8) Double sleeved flue kit (State Wide Heating p/n 6141ws) with 195200 rear shield fitted.

Note (9) Rear clearance can be reduced to 100mm with Airmate fitted.

This is a guide - always refer to installation manual for specifications.

BURNING WOOD - A GREEN CHOICE



WOOD IS AFFORDABLE

Reduce your dependence on high priced, non-renewable home heating fuels by burning wood. Turn your fire down and enjoy comforting warmth in your main living area with a Regency wood product. Whether you buy your wood or collect it yourself, you will notice the savings within its first year.

RENEWABLE RESOURCE

Wood is a renewable natural resource - well-managed forests are a renewable, sustainable source of energy that helps us reduce greenhouse gas emissions and be less dependent on oil & gas.

WOOD IS CARBON NEUTRAL

As trees grow they absorb carbon dioxide from the atmosphere. When trees die and are left to decompose in the forest or burn in forest fires the carbon stored in the trees is released in the atmosphere as carbon dioxide. Burning firewood produces the same amount of carbon dioxide as it has absorbed during its life cycle - making wood burning carbon neutral.

CERTIFIED

All Regency Wood Stoves and Fireplaces have been tested and certified to the strictest Australian Clean Air Standards.

ENJOY YOUR REGENCY — FOR LIFE

You'll be happy with your Regency for years to come, our 15 years Limited Warranty guarantees it. Not only have we invested in quality workmanship, the finest materials and durable heavy-duty construction but we have carefully selected a dealer network that is committed to your satisfaction. All Regency wood fires exceed stringent Australian testing standards. We know that you will be as proud of your Regency as we are.



NOTE: All product specifications are subject to change without notice. Before installing refer to the relevant product manual for full and up to date information. Heating capabilities of units are affected by: drafts under doorways or through flooring, large glass areas not covered by heavy drapes, ceiling heights greater than 2.4m or cathedral type ceilings, poor or no insulation and geographical locations.



Find More Products at **REGENCY-FIRE.COM.AU**



Fireplace Products Australia Pty Ltd.
99 Colemans Rd, Dandenong South VIC,
3175
Phone: 1 800 081 978
Fax: 03 9799 7822
Email: sales@regency-fire.com.au

Distributor WA
Air Group Australia
28 Division St.
Welshpool WA 6106
Australia
Phone: 08 9350 2200

Your Regency Dealer

©2022 FPI Fireplace Products International Ltd. Regency®, Albany®, Alterra®, Bellerive®, Berwick®, Cardinia®, Narrabri®, and Renmark® are the registered and/or proprietary trademarks of FPI Fireplace Products International Ltd. All rights reserved. (08/22)
Part no. 944-296