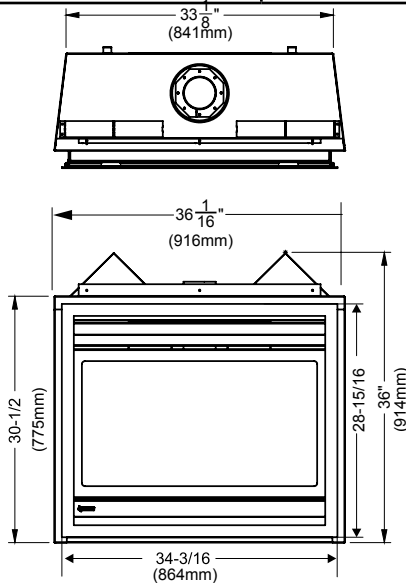


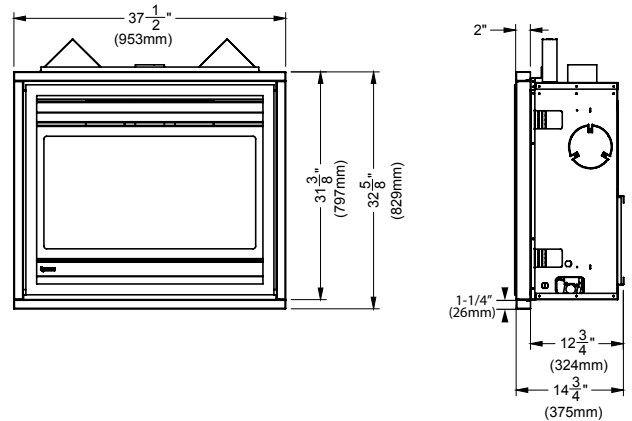
P36E Gas Fireplace

Model	P36E-NG11	P36E-LP11
Fuel Type	Natural Gas	Propane
Minimum Supply Pressure	5" W.C. (1.25 kPa)	11" W.C. (2.74 kPa)
Manifold Pressure - High	3.5" W.C. (0.87kPa)	10" W.C. (2.49 kPa)
Manifold Pressure - Low	1.6" W.C. (0.27 kPa)	6.4" W.C. (1.59 kPa)
Orifice Size	#37 DMS	#52 DMS
Minimum Input	19,500 BTU/h (5.71 kW)	22,000 BTU/h (6.44 kW)
Maximum Input	29,500 BTU/h (8.65 kW)	28,500 BTU/h (8.35 kW)
Vent Sizing	4" Inner / 6 5/8" Outer	4" Inner / 6 5/8" Outer
CSA P.4.1	66.86%	67.44%

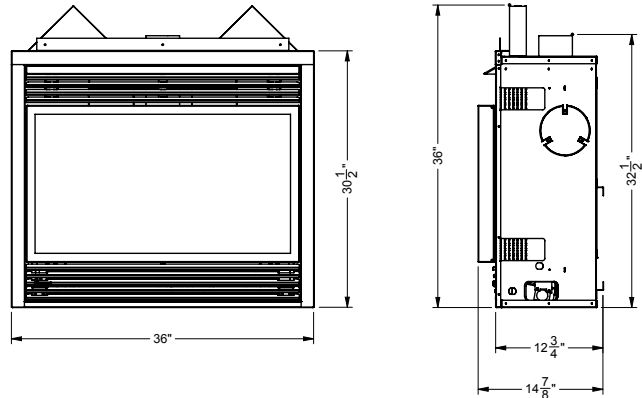
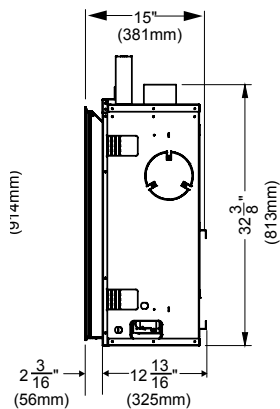
Approved Venting Systems	
Flex Vent Systems:	FPI AstroCap™ Flex Vent
Rigid Pipe Vent Systems:	Simpson Direct Vent Pro® American Metal Products® Amerivent Direct Security Secure Vent® Selkirk Direct-Temp™ Metal-Fab® Sure Seal



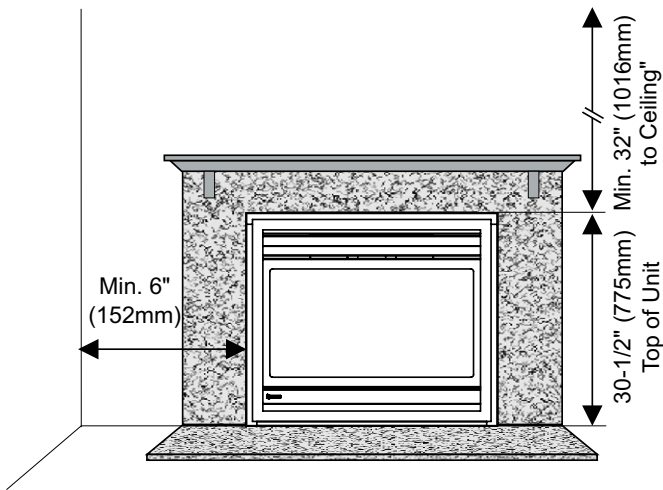
UNIT DIMENSIONS WITH VIGNETTE AND VIGNETTE FINISHING TRIM



UNIT DIMENSIONS WITH SAFETY SCREEN (#515-506) + OPTIONAL LOUVERS



CLEARANCES



IMPORTANT FINISHING DETAIL NOTE:

Before placing unit into final position - it is important to know the total thickness / height of finished hearth (tile, carpet, etc.) The base of the fireplace should be level or higher than the finished hearth height.

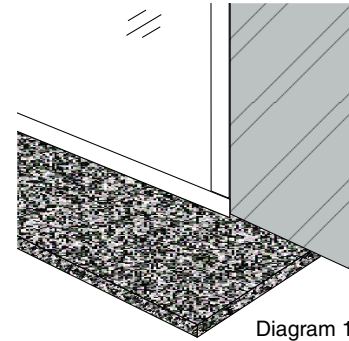


Diagram 1

Note: All non-combustible and combustible facing material should butt up cleanly to the flanges around the firebox opening.

Rough edges will be visible from the front view with the Vignette faceplate - if not using the optional finishing trim.

To maintain a clean finished edge - it is recommended to install the combustible facing material with the finished edge against the fireplace / nailing strips.

Alternatively, you can use J Style Trim or Metal Corner Bead to cover cut edges of the non-combustible facing material.

REGENCY® MANTEL LEG CLEARANCES

Combustible mantel leg clearances as per diagram:
Maximum 1-1/2" projection at 2" minimum clearance.

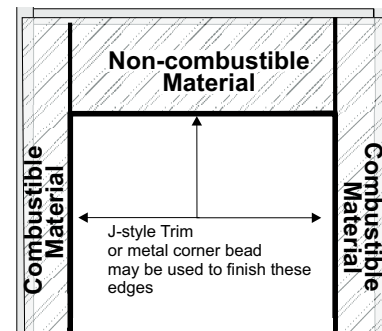
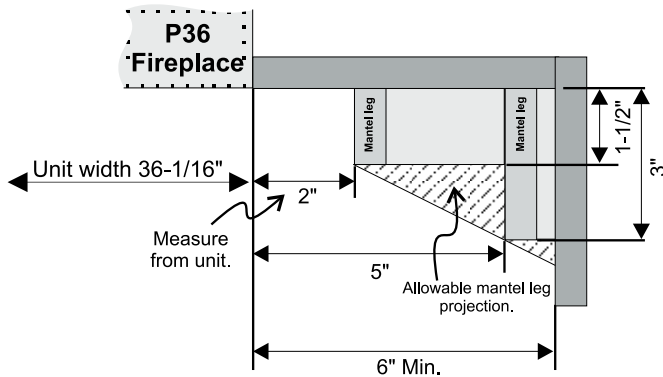


Diagram 2

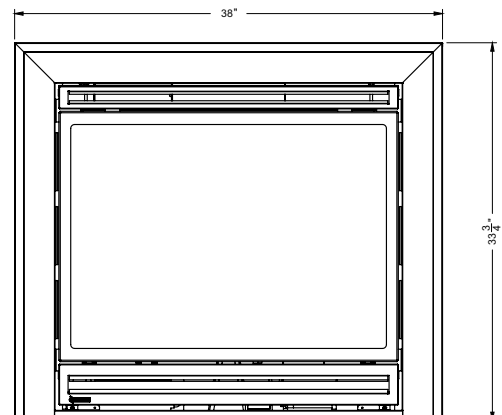


Diagram 3 Shown with optional finishing trim

COMBUSTIBLE MANTEL CLEARANCES

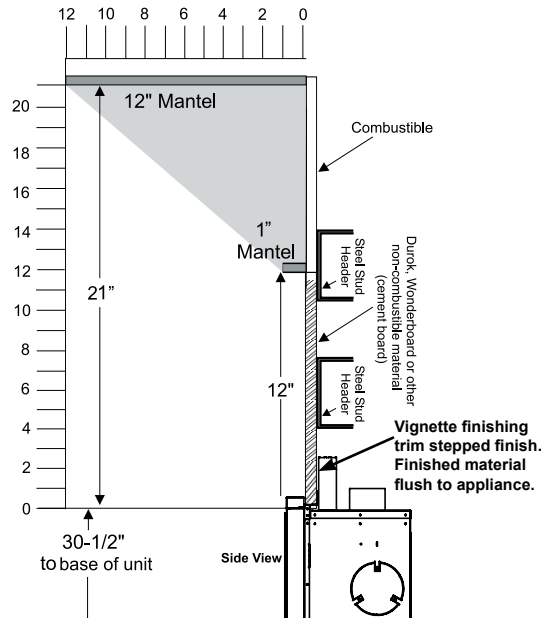
Because of the extreme heat this fireplace emits, the mantel clearances are critical.

Combustible mantel clearances from top of unit are shown in the diagram below.

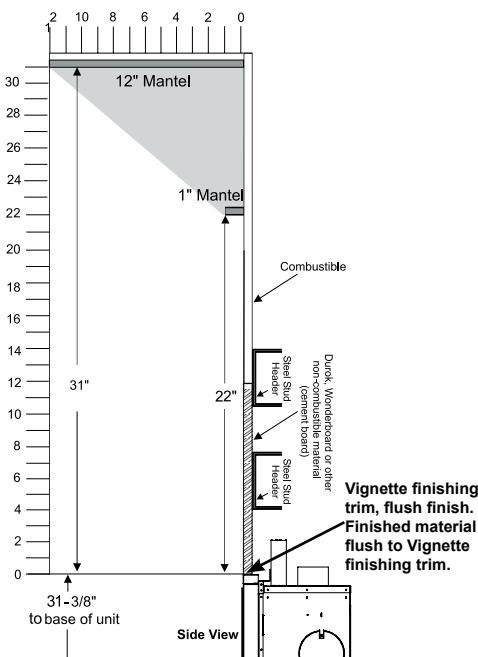
Note: Mantel starts at *1" deep and ends at *12" deep. ****For Vignette with Vignette Finishing Trim flush finish**, all materials (framing & finishing) below the mantel and the width of the Vignette finishing trim, (37 1/2") must be non-combustible if a lower mantel is desired.

Note: Ensure the paint that is used on the mantel and the facing is "heat resistant" or the paint may discolour.

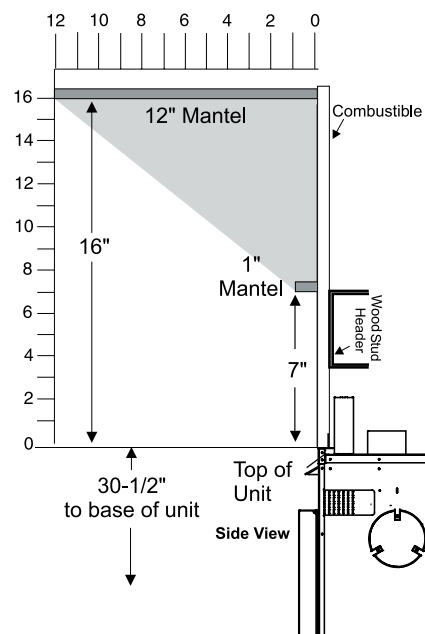
MANTEL CLEARANCES WITH VIGNETTE + VIGNETTE FINISHING TRIM STEPPED FINISH



MANTEL CLEARANCES WITH VIGNETTE + VIGNETTE FINISHING TRIM FLUSH FINISH

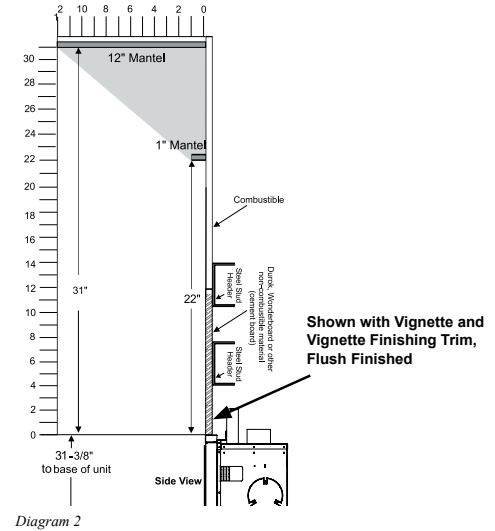
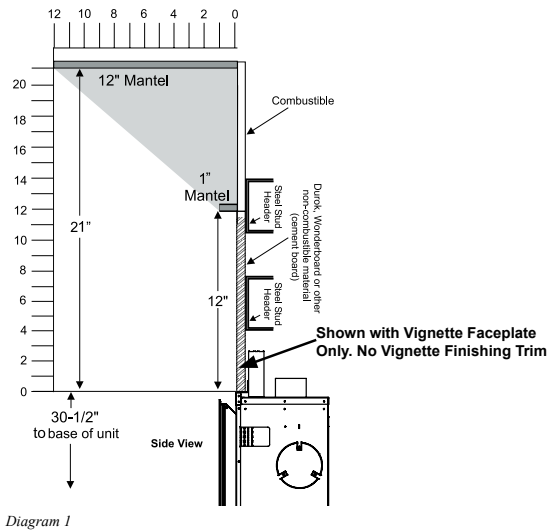


MANTEL CLEARANCES WITH SAFETY SCREEN AND LOUVERS



FRAMING

1. Determine the total thickness of facing material (e.g. non combustible plus ceramic tiles) to allow the finished surface to be flush with the front of the unit. Total facing thickness can vary from 1/2" (13mm) to 1-1/4" (32mm) thick with Vignette only, Vignette + Vignette Finishing Trim Stepped Finish and Safety Screen and Louvers. When installing the Vignette + Vignette Finishing Trim Flush Finish the facing thickness is up to maximum of 3".
2. Add a second steel stud at midpoint for ease of installation/securing the non combustible board. See Diagrams 1 & 2.

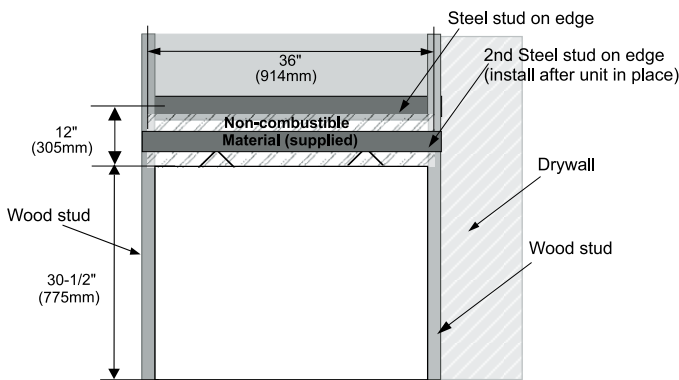


Note: Secure the non-combustible board (supplied) directly above the unit as shown. Install a steel stud directly above the unit as shown to secure the non-combustible material.

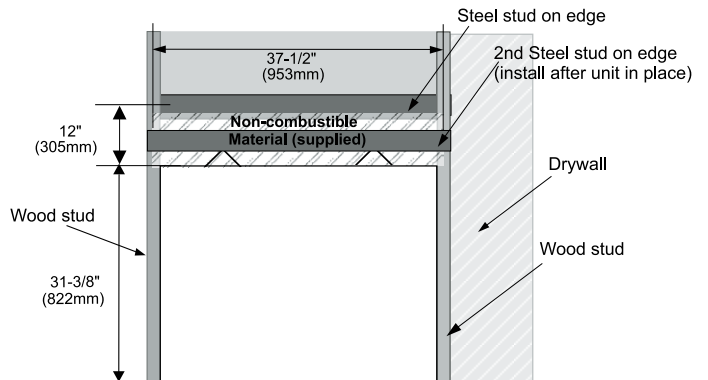
Install Side Nailing Strips, Top Facing Support, and Top Standoffs before unit is slipped into position. See the "Unit Assembly Prior to Installation" section for assembly details.

- 3) For exterior walls, insulate the enclosure to the same degree as the rest of the house, apply vapour barrier and drywall, as per local installation codes. **(Do not insulate the fireplace itself.)**
- 4) The top of the unit must not be closer than 32" (813mm) to the ceiling.

Non-combustible Vignette + Vignette Finishing Trim or Vignette Only



Vignette + Vignette Finishing Trim Flush Finished



NOTE: If using flush louvers and safety screen the steel studs and non-combustible material are not required. Wood studs and drywall may be used. See framing and finishing for details.

FRAMING WITH VIGNETTE FACEPLATE/VIGNETTE FINISHING TRIM, STEPPED FINISH

Frame in the enclosure for the unit with framing material. The framed opening is 40-3/4" high x 36-1/4" wide x 12-3/4" deep (1036mm high x 921mm wide x 324mm deep).

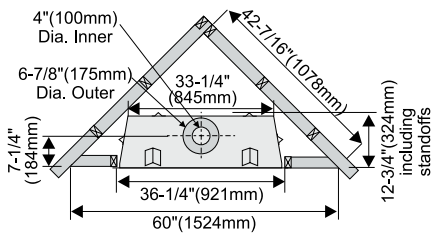


Diagram 1

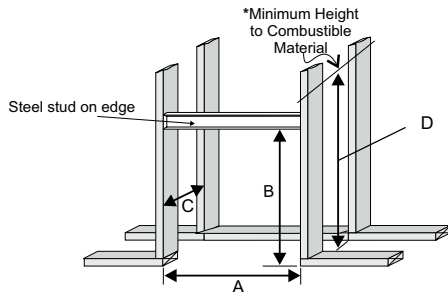


Diagram 2

FRAMING WITH VIGNETTE FACEPLATE & FINISHING TRIM FINISHED FLUSH

Frame in the enclosure for the unit with framing material. The framed opening is 41-5/8" high x 38" wide x 14-3/4" deep (1057mm high x 965mm wide x 375mm deep).

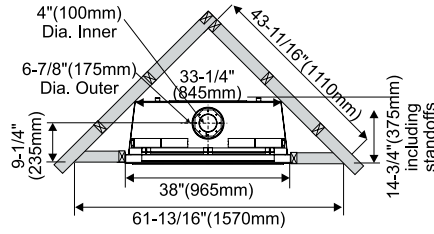


Diagram 3

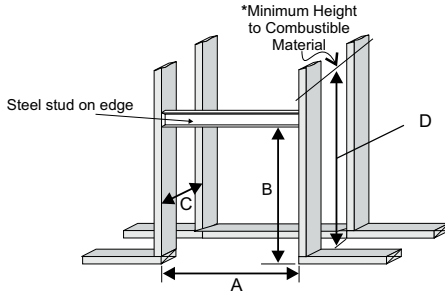


Diagram 4

FRAMING WITH LOUVERS AND SAFETY SCREEN

Frame in the enclosure for the unit with framing material. The framed opening is 36-1/4" high x 36-1/4" wide x 12-3/4" deep (921mm high x 921mm wide x 324mm deep).

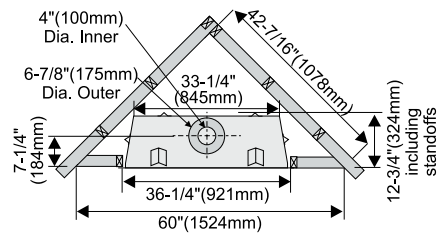


Diagram 5

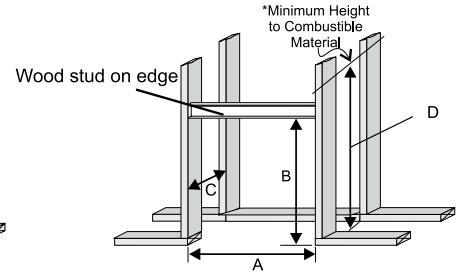


Diagram 6

All other framing may be of combustible materials, i.e. 2 x 4, 2 x 6

Vignette Framing Dimensions			
A	B	C	D
36-1/4"	40-3/4"	12-3/4"	46"
921mm	1036mm	324mm	1168mm*
* 'D' is Minimum height to combustible materials including the Minimum 2" (51mm) Top clearance to the Horizontal Vent.			

All other framing may be of combustible materials, i.e. 2 x 4, 2 x 6

Vignette + Finishing Trim - Flush Finish Framing Dimensions			
A	B	C	D
38"	41-5/8"	14-3/4"	46"
965mm	1057mm	375mm	1168mm*
* 'D' is Minimum height to combustible materials including the Minimum 2" (51mm) Top clearance to the Horizontal Vent.			

Safety Screen + Louvers Framing Dimensions			
A	B	C	D
36-1/4"	36-1/4"	12-3/4"	46"
921mm	921mm	324mm	1168mm*
* 'D' is Minimum height to combustible materials including the Minimum 2" (51mm) Top clearance to the Horizontal Vent.			

NOTE: If using the optional Vignette finishing trim, this can be installed as a 3-sided or 4 sided finish trim. If choosing to use this as a 4 sided finish trim the framing would need to be increased by 1-1/4" inches minimum in order for this to fit. This must be to the finished floor. (Eg: Diagram 2 B = 40-3/4" framing height + 1-1/4". Bottom of 4-sided finishing trim + 1/2" thick finished floor = 42-1/2".)

If choosing to finish this appliance as a flush finish (Diagram 4) when using the Vignette along with the Vignette finishing trim, see installation instructions in the installation manual for details on installation, framing and finishing.

Venting Arrangements - Horizontal Terminations

This diagram shows all allowable combinations of vertical runs with horizontal terminations, **using one 90° elbow** (two 45° elbows equal one 90° elbow).

The lightly shaded area, in the diagram shows allowable combinations when installing a P36/P36E

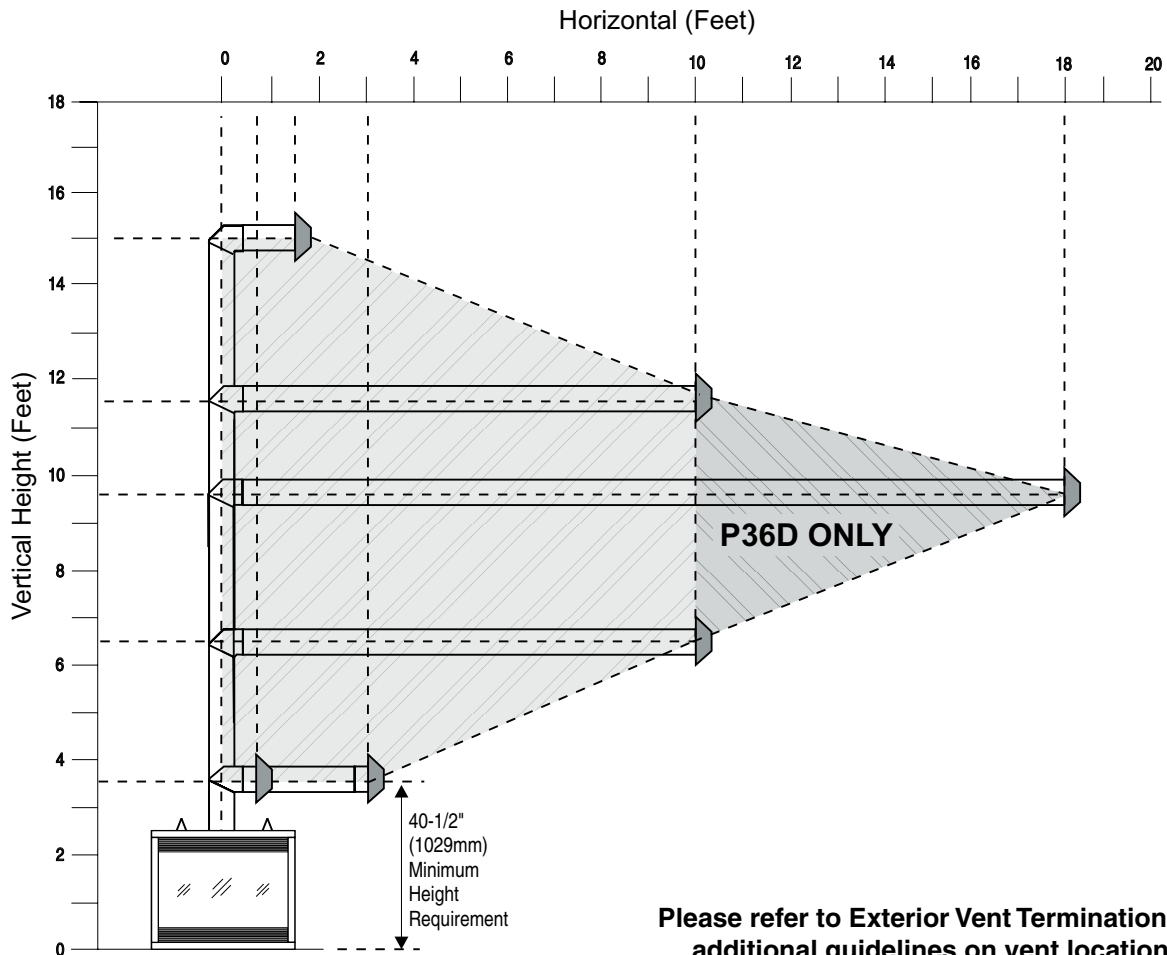
The darker shaded area, in the diagram shows additional allowable combinations when installing a P36D.

Note: Must use optional flue adaptor (Part # 510-994) when using Rigid Pipe.

- Maintain clearances to combustibles.
- Horizontal vent must be supported every 3 feet.
- Firestops are required at each floor level and whenever passing through a wall.

A vent guard may be required as per local codes, refer to “**Exterior Vent Termination Locations**”.

Note: FPI Direct Vent System (Flex) is only approved for horizontal terminations.



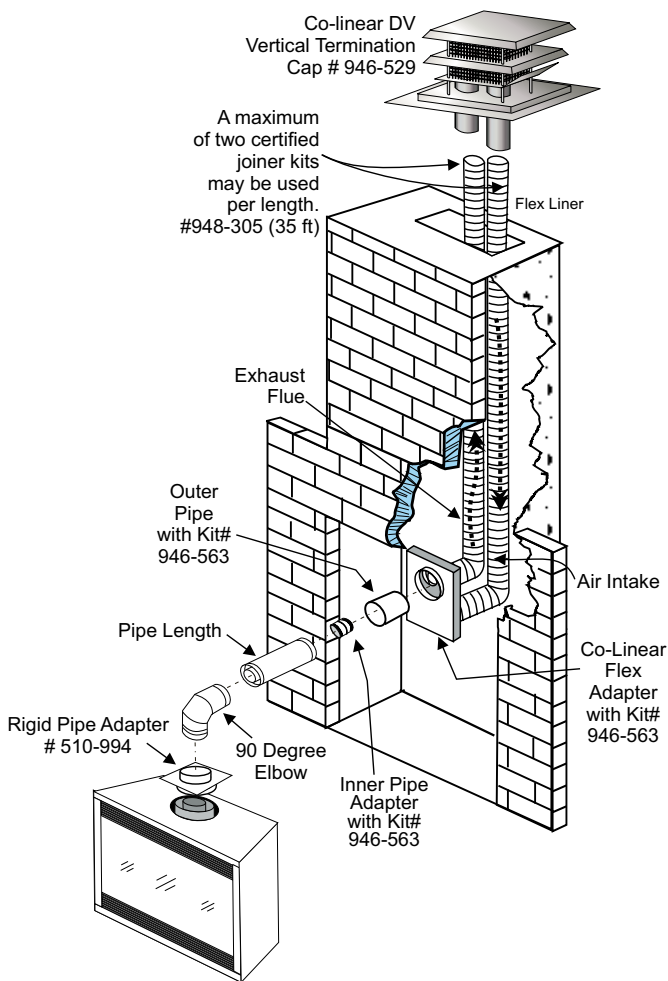
Vertical Termination with Co-linear Flex System

The appliance must not be connected to a chimney flue serving a separate solid fuel burning appliance.

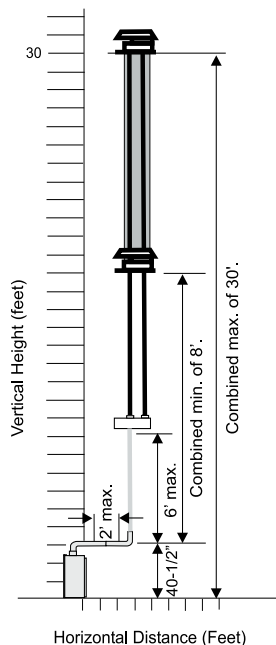
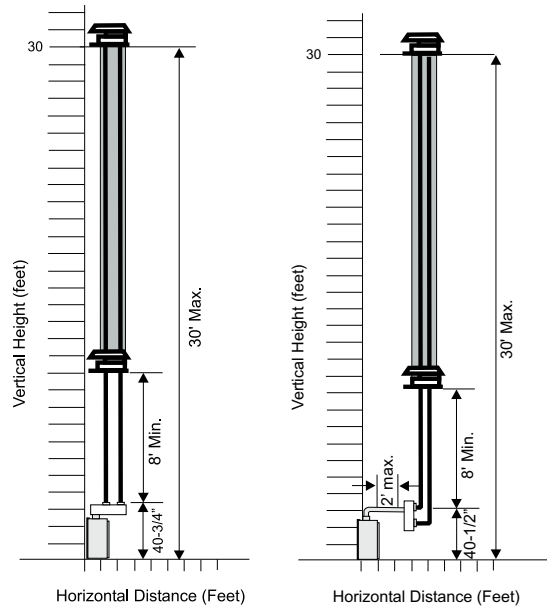
Masonry chimneys may take various contours which the flexible liner will accommodate. However, **keep the flexible liner as straight as possible**, avoid unnecessary bending.

The Air Intake pipe must be attached to the inlet air collar of the termination cap.

This appliance is designed to be attached to two 3" (76mm) co-linear aluminium flex running the full length of the chimney. See the Venting Arrangements for minimum and maximum heights.



Required Parts:	
Part #	Description
946-529	Co-linear DV Vertical Termination Cap
948-305	3" Flex - 35 ft.
946-563	Coaxial to Co-linear Adaptor Kit which contains the following: Co-linear Flex Adaptor Outer Pipe Inner Pipe Adaptor
510-994	Flue Adaptor
46dva-E45	45° Elbow
Alternate Approved Caps	
46dva-VC	Vertical Termination Cap
46dva-VCH	High Wind Cap
46dva-GK	3" Co-linear Adaptor with flashing



The shaded area in the diagrams show the allowable vertical terminations.

Please refer to Exterior Vent Terminations for additional guidelines on vent locations.