

## U38-13 Freestanding Gas Stove

Model	U38-NG13	U38-LP13
Fuel Type	Natural Gas	Propane
Minimum Supply Pressure	5" W.C. (1.25 kPa)	11" W.C. (2.74kPa)
Manifold Pressure - High	3.5" W.C. (0.87 kPa)	10" W.C. (2.49 kPa)
Manifold Pressure - Low	1.6" W.C. (0.40 kPa)	6.4" W.C. (1.59 kPa)
Orifice Size Altitude 0-2000ft (0-610m)	#32	#50
Orifice Size Altitude 2000-4500ft (610-1370m)	#33	
Orifice Size 30,000 Max BTU	#37	#52
Minimum Input Altitude 0-2000ft (0-610m)	26,000 BTU/h (7.62 kW)	27,500 BTU/h (8.06 kW)
Minimum Input Altitude 2000-4500ft (610-1370m)	24,000 BTU/h (7.03 kW)	
Minimum Input Converted to 30,000 Max BTU	23,000 BTU/h (6.74 kW)	23,000 BTU/h (6.74 kW)
Maximum Input Altitude 0-2000ft (0-610m)	38,000 BTU/h (11.14 kW)	34,000 BTU/h (9.96 kW)
Maximum Input Altitude 2000-4500ft (610-1370m)	35,000 BTU/h (10.26 kW)	
Maximum Input Converted to 30,000 Max BTU	30,000 BTU/h (8.79 kW)	30,000 BTU/h (8.79 kW)
Vent Sizing	4" B-Vent	4" B-Vent
CSA P.4.1	63.94%	64.59%

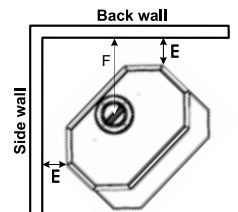
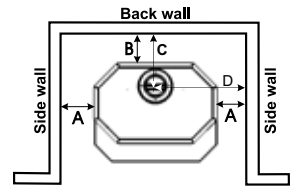


### U38-NG13 & U38-LP13 Clearances

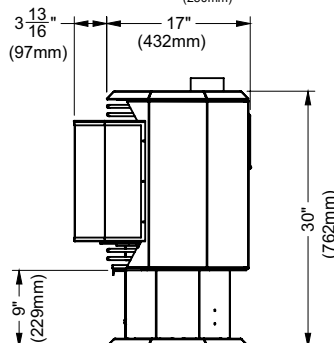
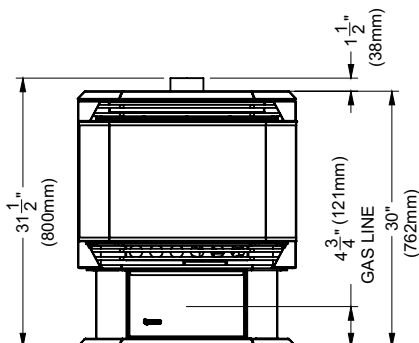
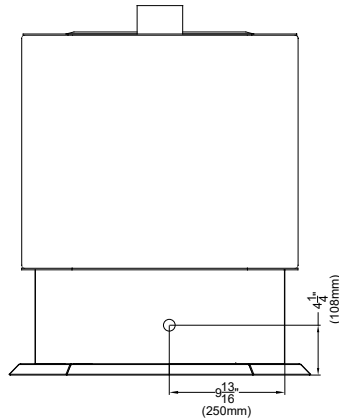
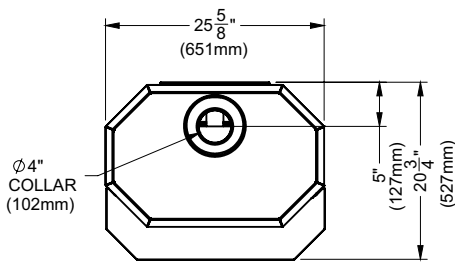
A Side Wall to Unit	7-1/2" / 190 mm
B Back Wall to Unit	6" / 155 mm
E Side Wall to Unit	2" / 50 mm

### U38-NG13 & U38-LP13 REFERENCE DIMENSIONS

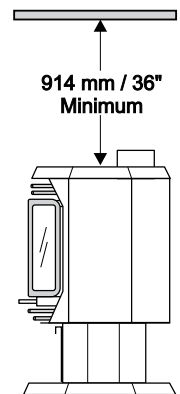
C Back Wall to Flue Centerline	10-3/4" / 273 mm
D Side Wall to Flue Centerline	20-1/2" / 520 mm
F Side Wall to Flue Centerline	11" / 280 mm



Approved Venting Systems	
Vent Systems:	Listed B-Vent, Class-A or Masonry Chimney with approved liner (FPI AstroCap™ Flex Vent)



Minimum ceiling height is 36"/914mm from top of unit.



## Venting

This heater is a vented appliance and must be connected to a chimney/flue in accordance with the installation codes.

**Note: The rear pedestal cover plate is only required when outside air is being used. If using room air for combustion, remove this plate from the back of the pedestal.**

For your safety this heater is equipped with a vent safety switch designed to sense incorrect venting and react by shutting down the gas supply. This thermally actuated switch is located within the draft hood and will detect either a blocked chimney or backdraft condition where the chimney flow has reversed. If this switch shuts the unit down, it indicates a drafting problem that must be identified and rectified without delay - the thermally activated switch must **never** be bypassed or disconnected as a hazardous or deadly condition can result.

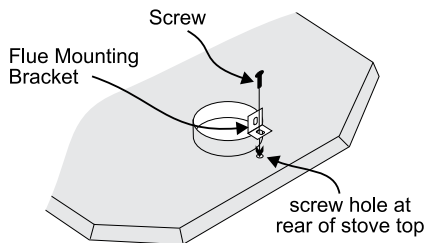
### Venting Requirements

A four inch diameter vent is required. B-Vent, Class A or Masonry with an approved liner are all acceptable. For cosmetic or aesthetic purposes 6" outer vent can be used as long as an approved inner vent is installed. Fasten but do not penetrate the inner sleeve of the B-Vent when tightening the screw.

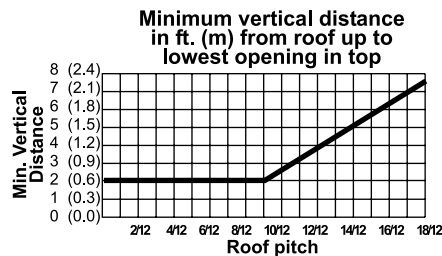
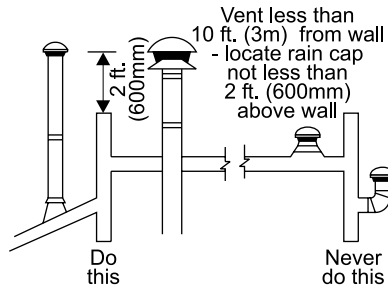
Follow all venting manufacturer's requirements and local building codes. In cold climates, we recommend the use of insulated B-vent, chase, and liners. For altitudes above 2000 ft. we recommend that a minimum flue height of 12 ft. is used.

### Flue Mounting Bracket

Attach the flue mounting bracket with the enclosed screw as shown in the diagram.



### Vent Terminations



### Installation into Existing Woodstove Flue System

- 1) Clean existing Chimney system.
- 2) Run an approved 4" flex liner or "B" vent into existing chimney.

**Note: See the chimney systems manufacturer for detailed installation instructions.**

