

## B36XTE Medium Direct Vent Gas Fireplace

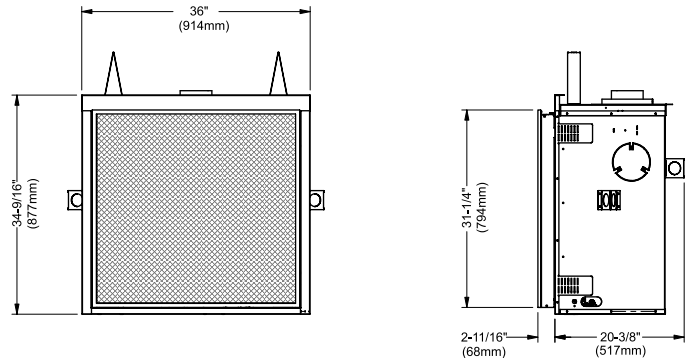
Model	B36XTE-NG11	B36XTE-LP11
Fuel Type	Natural Gas	Propane
Minimum Supply Pressure	5" W.C./C.E. (1.25 kPa)	11" W.C./C.E. (2.74 kPa)
Manifold Pressure - High	3.5" W.C./C.E. (0.87 kPa)	10" W.C./C.E. (2.49 kPa)
Manifold Pressure - Low	1.6" W.C./C.E. (0.40 kPa)	6.4" W.C./C.E. (1.60 kPa)
Orifice Size - Altitude 0-4500 ft.	#35 DMS	#51 DMS
Minimum Input Altitude 0-4500 ft. (0-1372m)	21,500 BTU/h (6.3 kW)	25,000 BTU/h (7.33 kW)
Maximum Input Altitude 0-4500 ft. (0-1372m)	31,000 BTU/h (9.09 kW)	31,000 BTU/h (9.09 kW)
CSA P.4.1 Fireplace Efficiency (FE)	65.90%	65.90%



Approved Venting Systems	
Flex Vent Systems:	FPI AstroCap™ Flex Vent
Rigid Pipe Vent Systems:	Simpson Direct Vent Pro® Selkirk Direct-Temp™ Metal-Fab® Sure Seal American Metal Products® Security-Secure Vent®

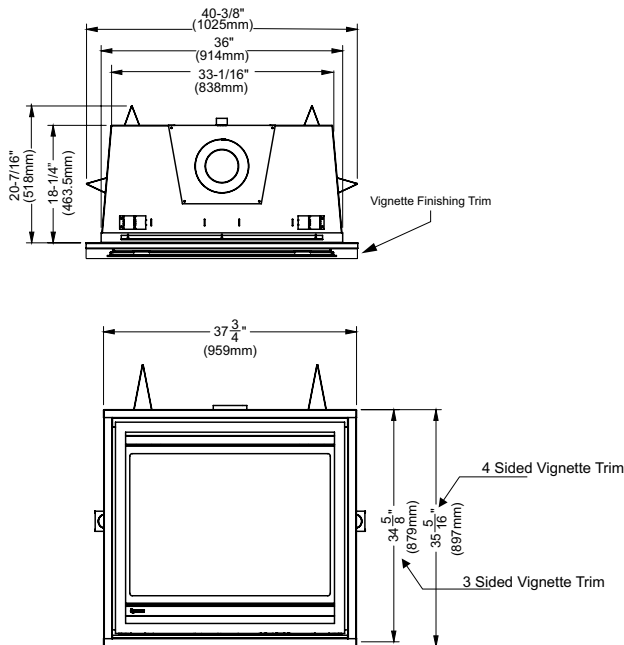
-5" x 8" approved  
 -4" x 6-5/8" approved

### UNIT DIMENSIONS WITH OPTIONAL FLUSH PANELS AND SAFETY SCREEN



3-sided finishing trim not shown: 40-1/2" wide x 35-3/4" high

### UNIT DIMENSIONS WITH VIGNETTE & VIGNETTE FINISHING TRIM



Front view : shown with 3 sided finishing trim.

## CLEARANCES

The clearances listed below are Minimum distances unless otherwise stated:

A major cause of chimney related fires is failure to maintain required clearances (air space) to combustible materials. It is of the greatest importance that this fireplace and vent system be installed only in accordance with these instructions.

### Caution Requirements

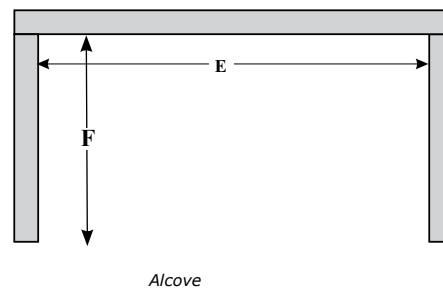
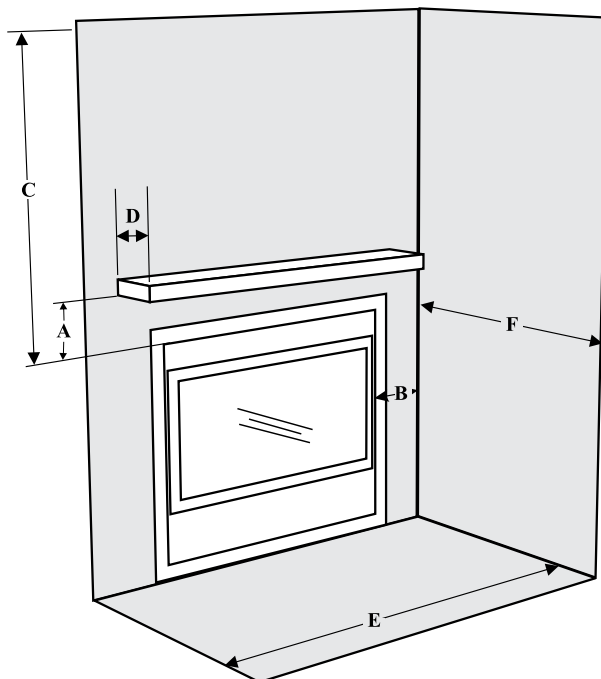
The top, back and sides of the fireplace are defined by standoffs. The metal ends of the standoff may **NOT** be recessed into combustible construction.

### WARNING

Fire hazard is an extreme risk if these clearances (air space) to combustible materials are not adhered to. It is of greatest importance that this fireplace and vent system be installed only in accordance with these instructions.

### B36XTE Clearance Requirements

Clearance:	Dimension	Measured From:
<b>A: Mantel Height (min.) with Vignette +Vignette Trim (Stepped finish)</b>	13" (330mm)	Top of Fireplace Opening
<b>A: Mantel Height (min.) with Flush Panels and Safety Screen</b>	13" (330mm)	Top of Fireplace Opening
<b>A: Mantel Height (min.) with Vignette + Vignette Trim Finished Flush</b>	22" (559mm)	Top of Fireplace Opening
<b>B: Sidewall</b>	12" (304mm) one side only	Side of Fireplace Opening
<b>C: Ceiling</b>	36-3/4" (933mm)	Top of Fireplace Opening
<b>D: Mantel Depth (max.)</b>	12" (304mm)	(See Dimension A) from Top of Fireplace Opening
<b>E: Alcove Width</b>	84" (2134mm)	Wall to Wall (Minimum)
<b>F: Alcove Depth</b>	36" (914mm)	Front to Back Wall (Maximum)
<b>Notes:</b>	0"	No Hearth Required



### Minimum Vent Clearances to Combustibles

Horizontal Top	2" (51mm)
Horizontal Side	1-1/2" (38mm)
Horizontal Bottom	1-1/2" (38mm)
Vertical Vent	1-1/2" (38mm)

## COMBUSTIBLE MANTEL CLEARANCES

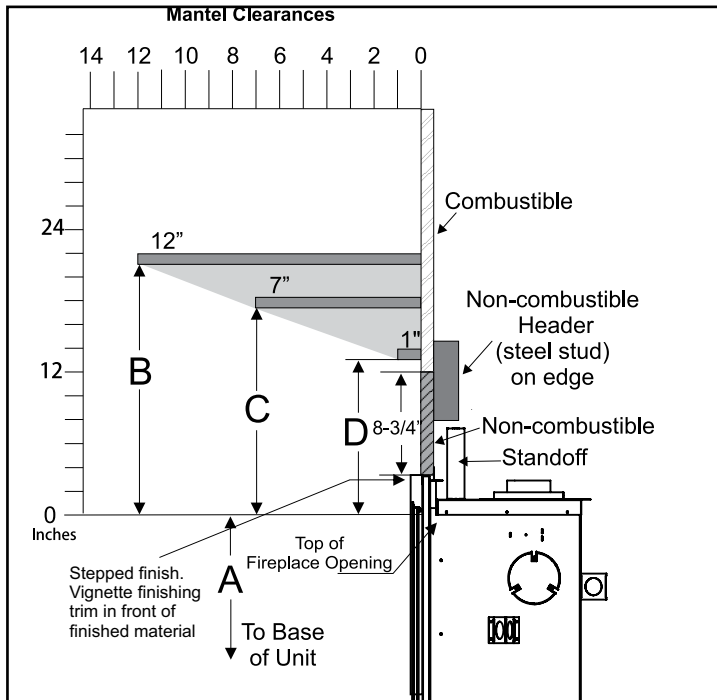
Because of the extreme heat this fireplace emits, the mantel clearances are critical.

Combustible mantel clearances from top of unit are shown in the diagram below.

Note: Mantel starts at \*1" deep and ends at \*12" deep. **\*\*For Vignette with Vignette Finishing Trim flush finish**, all materials (framing & finishing) below the mantel and the width of the Vignette finishing trim, (37-3/4") must be non-combustible if a lower mantel is desired. **The non combustible mantle when installed at a lower overall height may not be lower than 6 inches from the top of the fireplace opening.**

Note: Ensure the paint that is used on the mantel and the facing is "heat resistant" or the paint may discolour.

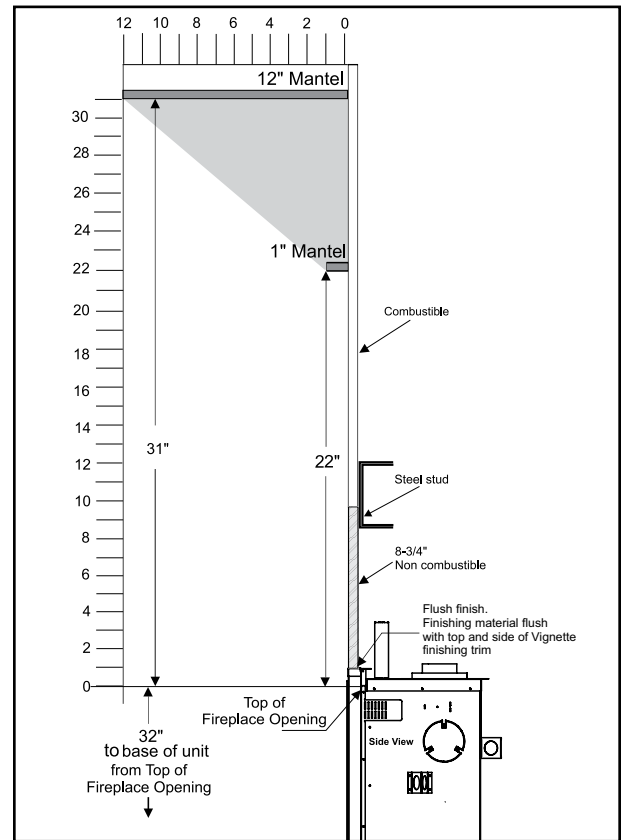
### Mantel Clearance with Vignette + Vignette Trim (stepped finish) or Flush Panels and Safety Screen



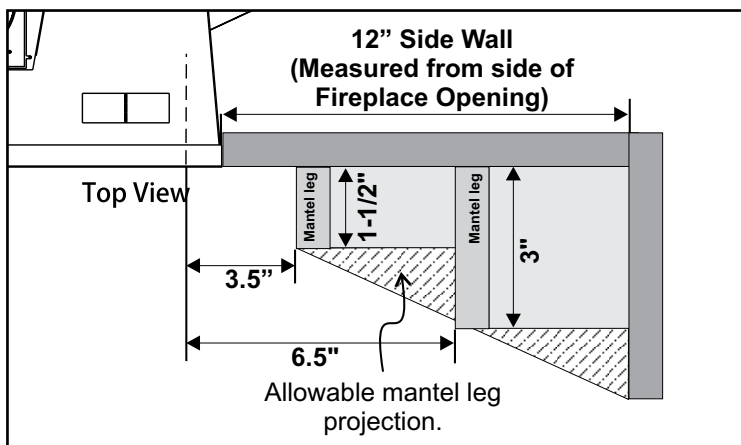
Mantel Clearances B36XTE	A	B	C	D
From Top of Fireplace Opening	32" (813mm)	22" (559mm)	17-1/2" (445mm)	13" (330mm)

Note: Ensure the paint that is used on the mantel and the facing is "High Quality" or the paint may discolour.

### Mantel Clearance with Vignette and Vignette Finishing Trim (flush finish)



## MANTEL LEG CLEARANCES



## FRAMING

1. Determine the total thickness of facing material (e.g. non combustible plus ceramic tiles) to allow the finished surface to be flush with the front of the unit. Total facing thickness can vary from 1/2" (13mm) to 1-1/4" (32mm) thick with Vignette only and Safety Screen and Flush Panels. When installing the Vignette + Vignette Finishing Trim Flush Finish the facing thickness is up to maximum of 3-1/8".

### Vignette + Vignette Trim (Stepped Finish) or with Flush Panels and Safety Screen

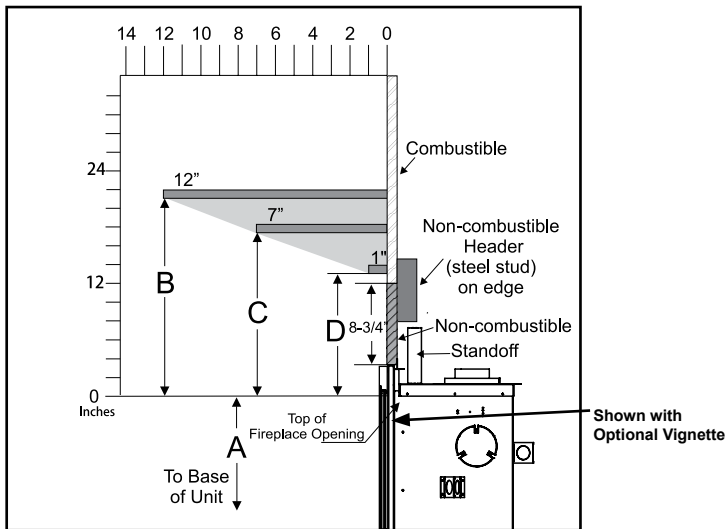


Diagram 1

### Vignette + Vignette Finishing Trim (Flush Finished)

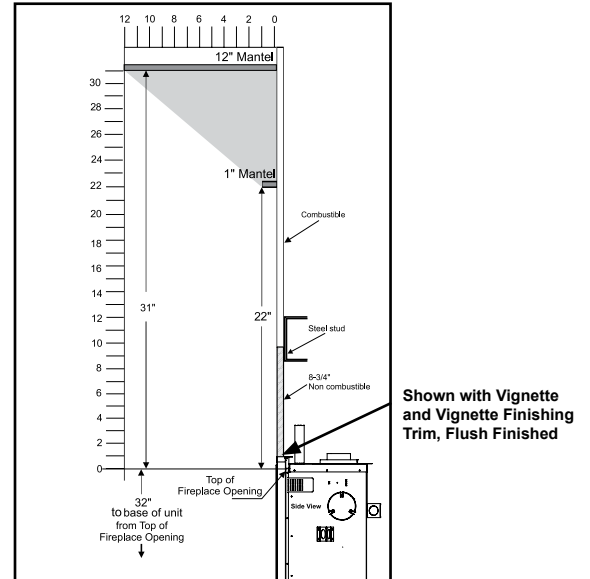


Diagram 2

**Note:** Secure the non-combustible board directly above the unit as shown. Install a steel stud directly above the unit as shown to secure the non-combustible material.

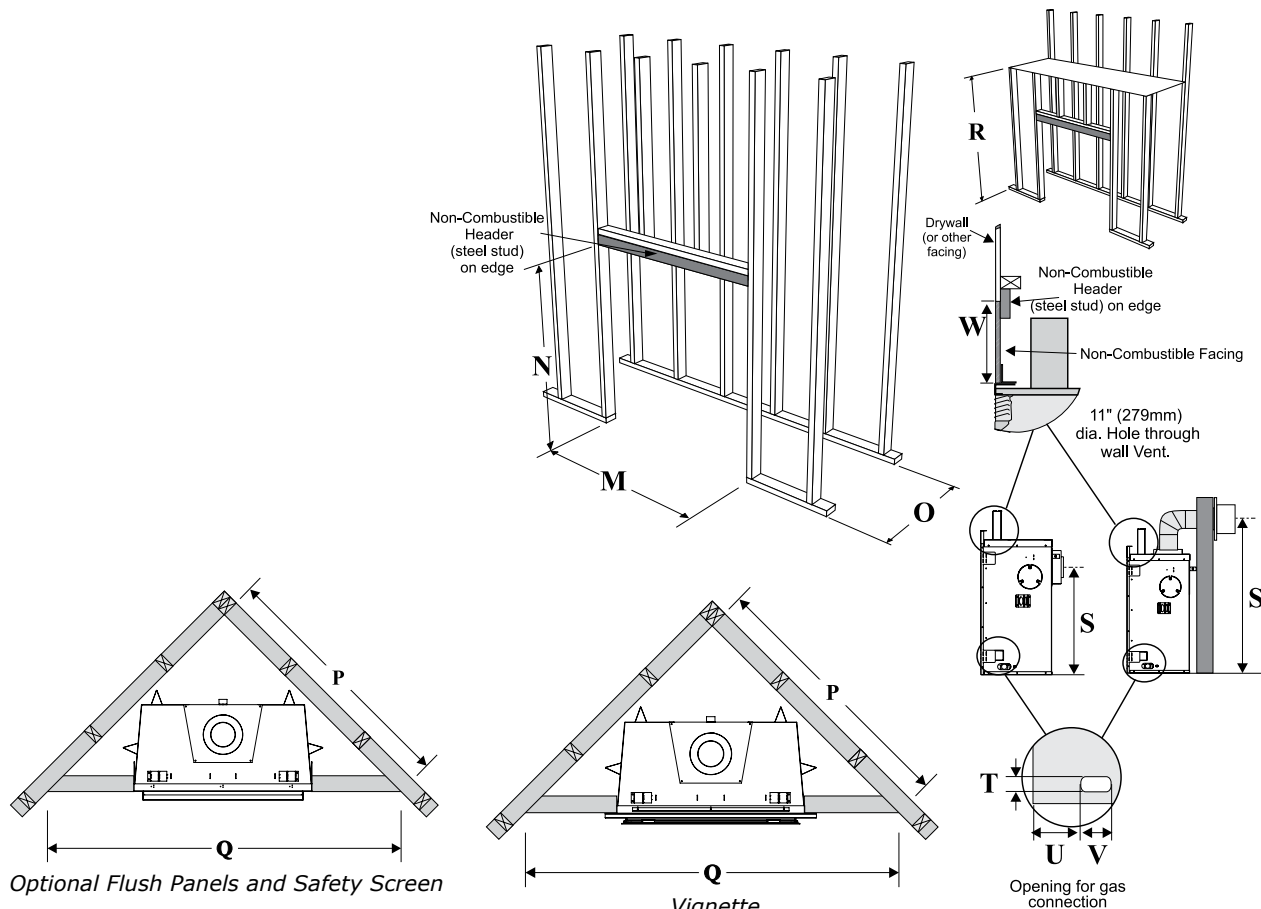
**Install Side Nailing Strips, Top Facing Support, and Top Standoffs before unit is slipped into position. See the "Unit Assembly Prior to Installation" section for assembly details.**

2. For exterior walls, insulate the enclosure to the same degree as the rest of the house, apply vapour barrier and drywall, as per local installation codes. (Do not insulate the fireplace itself.)
3. The top of the fireplace opening must not be closer than 36-3/4" (933mm) to the ceiling.

## FRAMING WITH VIGNETTE + VIGNETTE TRIM (STEPPED FINISH) OR WITH FLUSH PANELS AND SAFETY SCREEN

Framing Dimensions	Description	B36XTE	
M	Framing Width	40-5/8" (1032mm)	
N	Framing Height	42" (1067mm)	
O (Rear Vent)	Framing Depth - Rear Vent	20-3/4" (527mm)	
O (Top Vent)	Framing Depth - Top Vent	20-1/2" (521 mm)	
P (Top Vent)	Corner Facing Wall Width	48 - 5/8" (1235mm)	
P (Rear Vent)	Corner Facing Wall Width	53" (1346mm) AstroCapXL 61-1/2" (1562mm) - other approved caps	
Q (Top Vent)	Corner Facing Wall Width	68-3/4" (1746mm)	
Q (Rear Vent)	Corner Facing Wall Width	75" (1905mm) AstroCapXL 87" (2209mm) - other approved caps	
R (Rear Vent)	Framed Chase Ceiling - Rear	42" (1067mm)	
R (Top Vent)	Framed Chase Ceiling - Top	50-1/2" (1283mm)	
S (Rear Vent)	Vent Centerline Height - Rear	26-1/2" (673mm)	
S (Top Vent) (5" x 8")	Vent Centerline Height - Top	42-1/8" (1070mm) Flex	44-1/4" (1123mm) Rigid
S (Top Vent) (4" x 6-5/8")	Vent Centerline Height - Top	-	49" (1245mm) Rigid
T	Gas Connection Height	1-1/2" (38mm)	
U	Gas Connection Inset	4-1/8" (105mm)	
V	Gas Connection Width	3-1/4" (82mm)	
W	Non-combustible Height	8-3/4" (222mm)	

**\*\* Important: Framing height requires consideration of the hearth depth. Dimension N = N + the thickness of the installed hearth.**

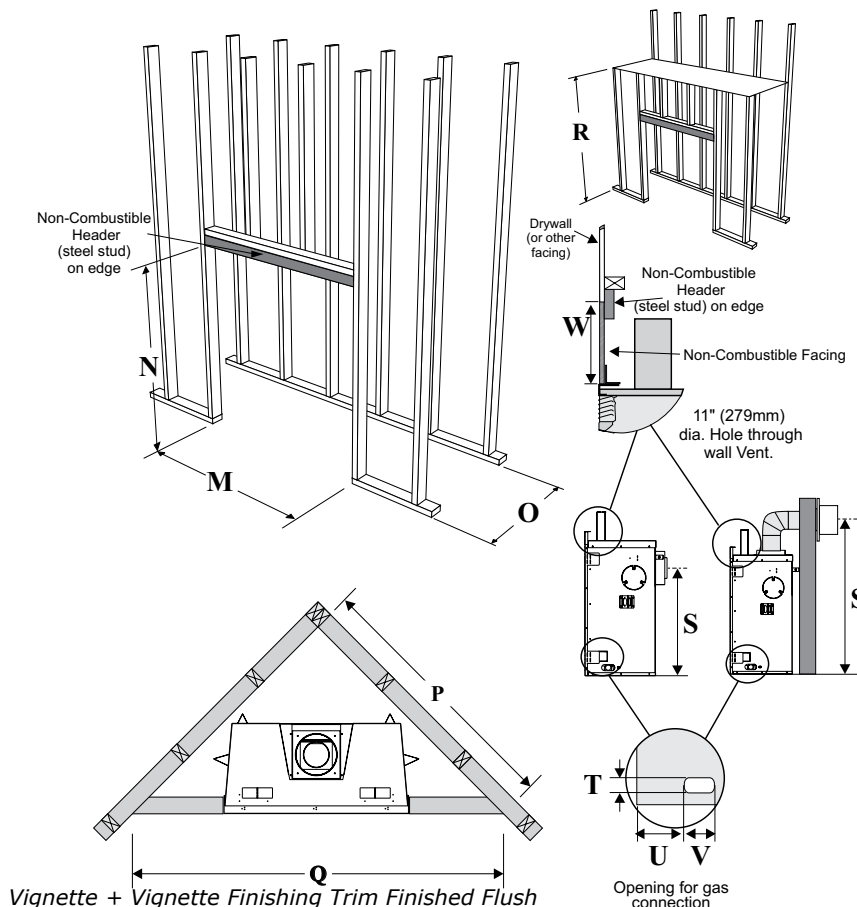


## FRAMING WITH VIGNETTE AND VIGNETTE TRIM (FLUSH FINISH)

Framing Dimensions	Description	B36XTE	
M	Framing Width	42-1/4" (1073mm)	
N*	Framing Height	42" (1067mm)	
O (Rear Vent)	Framing Depth - Rear Vent	22-1/8" (559mm)	
O (Top Vent)	Framing Depth - Top Vent	21-7/8" (553 mm)	
P (Top Vent)	Corner Facing Wall Width	51 - 5/16" (1303mm)	
P (Rear Vent)	Corner Facing Wall Width	55-11/16" (1414mm) AstroCapXL 64-3/16" (1630mm) - other approved caps	
Q (Top Vent)	Corner Facing Wall Width	72-1/2" (1842mm)	
Q (Rear Vent)	Corner Facing Wall Width	78-3/4" (2000mm) AstroCapXL 90-3/4" (2305mm) - other approved caps	
R (Rear Vent)	Framed Chase Ceiling - Rear	42" (1067mm)	
R (Top Vent)	Framed Chase Ceiling - Top	50-1/2" (1283mm)	
S (Rear Vent)	Vent Centerline Height - Rear	26-1/2" (673mm)	
S (Top Vent) (5" x 8")	Vent Centerline Height - Top	42-1/8" (1070mm) Flex	44-1/4" (1123mm) Rigid
S (Top Vent) (4" x 6-5/8")	Vent Centerline Height - Top	-	49" (1245mm) Rigid
T	Gas Connection Height	1-1/2" (38mm)	
U	Gas Connection Inset	4-1/8" (105mm)	
V	Gas Connection Width	3-1/4" (82mm)	
W	Non-combustible Height	8-3/4" (222mm)	

\*NOTE: When using the optional Vignette finishing trim, this can be installed as a 3-sided or 4 sided finish trim. If choosing to use this as a 4 sided finish trim the framing would need to be increased by 11/16" inches minimum in order for this to fit. This must be to the finished floor. (Eg :42" framing height + 11/16" to bottom of 4-sided finishing trim +1/2" thick finished floor = 43 3/16

**\*\* Important: Framing height requires consideration of the hearth depth. Dimension N = N + the thickness of the installed hearth.**



## NON-COMBUSTIBLE REQUIREMENTS

Vignette +Vignette Trim (Stepped Finish) or with Flush Panels and Safety Screen

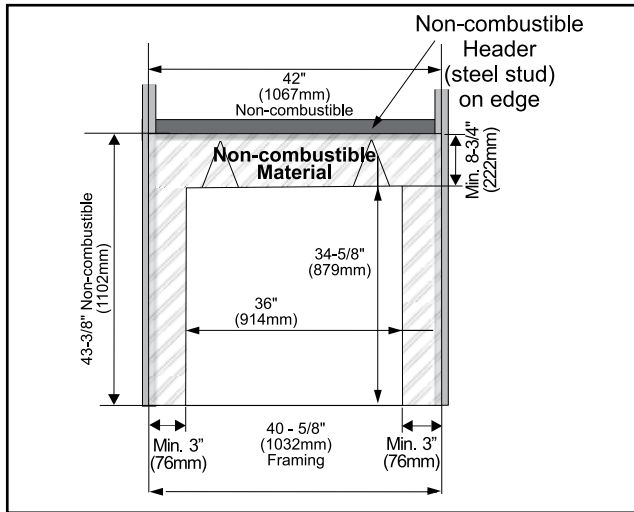


Diagram 1

Vignette + Vignette Finishing Trim (Flush Finish)

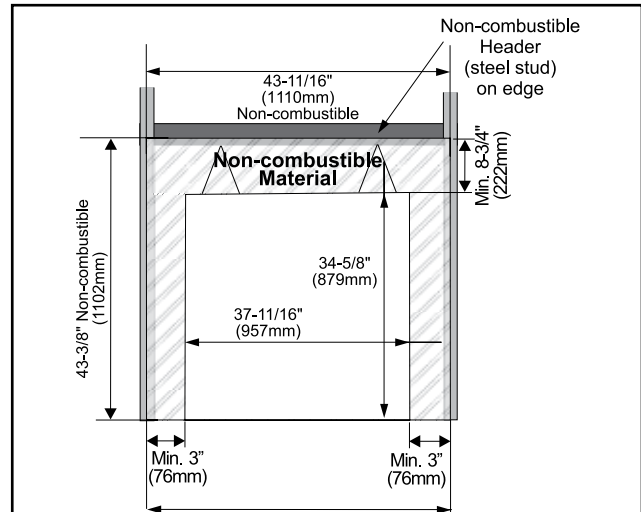


Diagram 2

## FINISHING

### IMPORTANT FINISHING DETAIL NOTE:

Before placing unit into final position - it is important to know the total thickness / height of finished hearth (tile, carpet, etc.) The base of the fireplace should be level or higher than the finished hearth height.

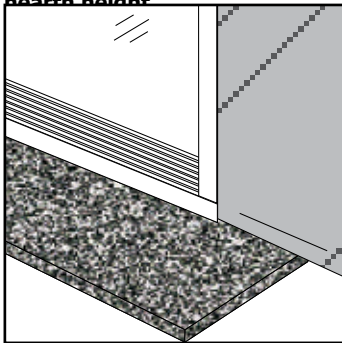


Diagram 1

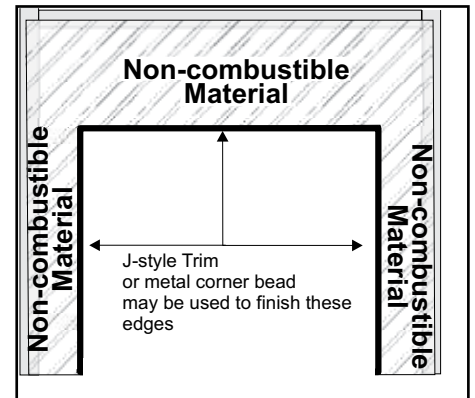


Diagram 2

**Note:** All non-combustible facing material should butt up cleanly to the flanges around the firebox opening.

Rough edges will be visible from the front view with the flush louvers or flush panels - if not using the optional finishing trim.

To maintain a clean finished edge - it is recommended to install the non-combustible facing material with the finished edge against the fireplace / nailing strips.

Alternatively, you can use J Style Trim or Metal Corner Bead to cover cut edges of the non-combustible facing material.

### Important:

Finishing materials such as tile, river rock, etc, must not protrude beyond the front facing flanges at the sides and top of the firebox opening.

## VENTING DIRECT VENT SYSTEM (FLEX)

### HORIZONTAL TERMINATIONS ONLY

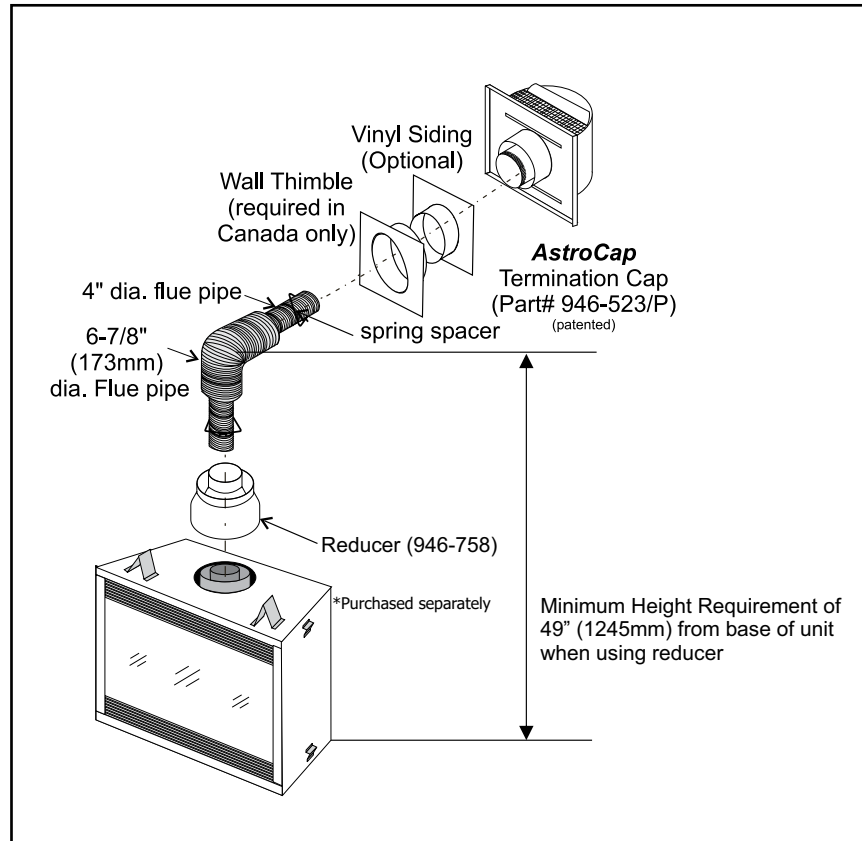
These venting systems, in combination with the B36XTE Direct Vent Gas Fireplace, have been tested and listed as a direct vent heater system by Warnock Hersey. The location of the termination cap must conform to the requirements in the Vent Terminal Locations diagram in the "Exterior Vent Termination Locations" section.

**Regency Direct Vent (Flex) System Termination Kit (Part # 946-515) includes all the parts needed to install the B36XTE with a maximum run of 4 feet.**

1	6-7/8" dia. flexible liner (4 ft. length)
2	4" dia. flexible liner (4 ft. length)
3	spring spacers (4)
4	thimble (2)
5	<b>AstroCap</b> termination cap (1)
6	screws (12)
7	tube of Mill Pac (1)
8	plated screws (8)
9	screws #8 x 1-1/2" Drill Point, Stainless Steel (4)

**If longer runs are needed, the Regency Direct Vent system (Flex) # 946-516 includes all the parts needed to install the B36XTE with a maximum 10' run.**

1	6-7/8" dia. flexible liner (10 ft. length)
2	4" dia. flexible liner (10 ft. length)
3	spring spacers (7)
4	thimble (2)
5	<b>AstroCap</b> termination cap (1)
6	screws (12)
7	tube of Mill Pac (1)
8	plated screws (8)
9	screws #8 x 1-1/2" Drill Point, Stainless Steel (4)



**Notes:**

1. Liner sections should be continuous without any joints or seams.
2. Only Flex pipe purchased from Regency may be used for Flex installations.



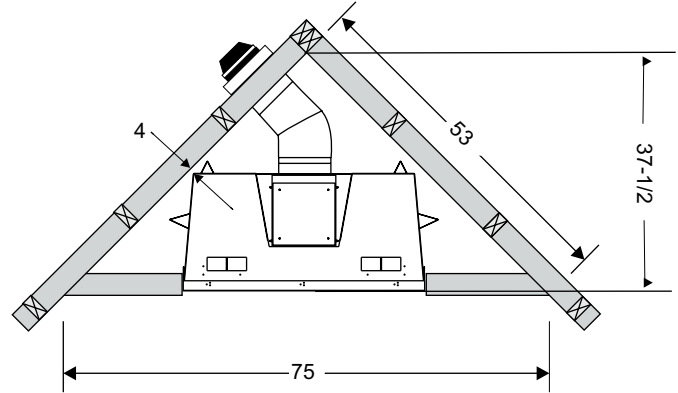
# HORIZONTAL TERMINATIONS

## ASTROCAP XL & RIGID REAR VENT KIT FOR CORNER INSTALLATIONS

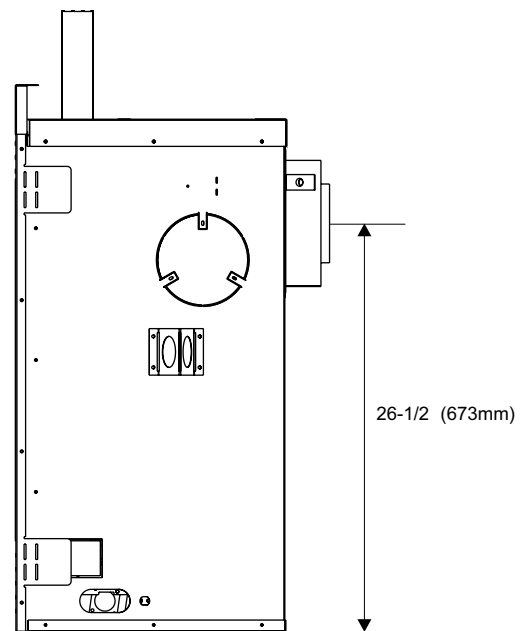
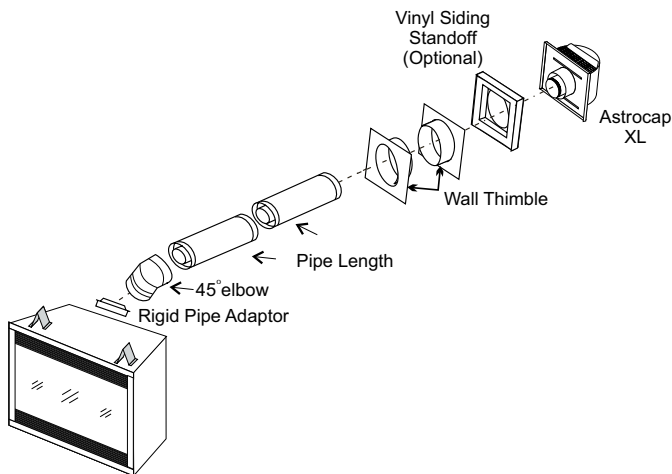
**RIGID PIPE 5" X 8" - WHEN USING VIGNETTE FINISHING TRIM (SEE NEXT PAGE)**

Designed for a minimum vent configuration when using a rear vent application with a horizontal termination in a corner installation.

Kit 946-612 Includes		
1	AstroCap XL	946-623/P
1	Rigid Pipe Adaptor	770-994
1	Vinyl Siding Standoff (Optional)	946-625
1	Wall Thimble	58DVA-WT
1	6" galvanized rigid pipe	58DVA-06
1	8-1/2" galvanized pipe extension	58DVA-08A
1	45° galvanized elbow	58DVA-E45
1	90 ml MillPac	948-128



Placement of the unit into the corner	
Back top corner of unit to wall	4"
Inside corner out along the wall	53"
Across the face of the unit, wall to wall	75"
Inside corner to front face of the unit	37-1/2"

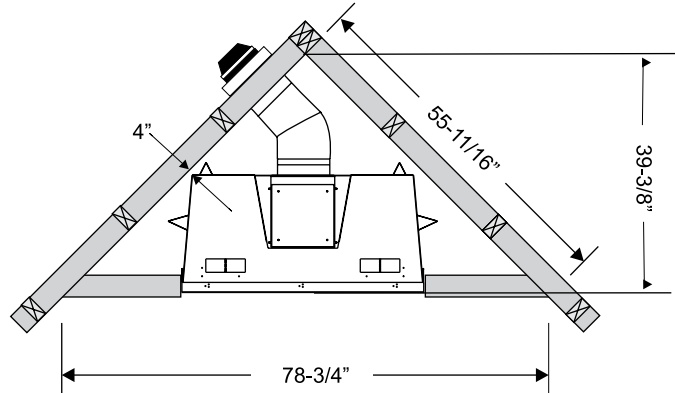


# HORIZONTAL 5" X 8" RIGID REAR VENT KIT ASTROCAP XL & RIGID REAR VENT KIT FOR CORNER INSTALLATIONS

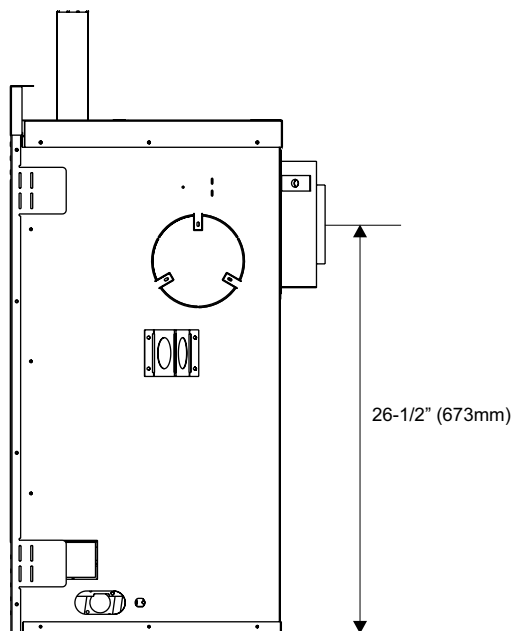
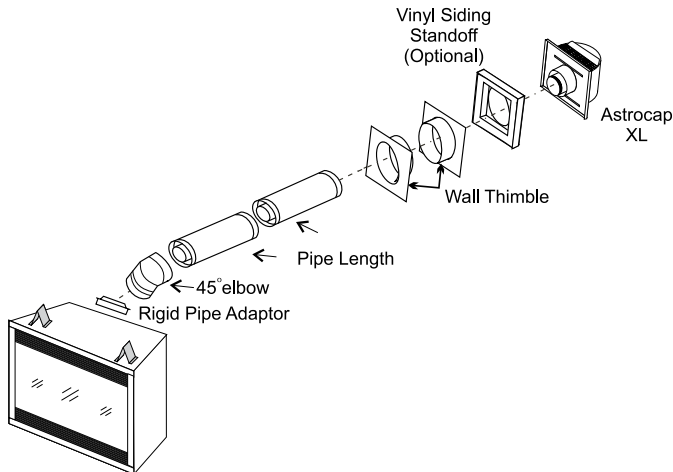
**RIGID PIPE 5" X 8" - WHEN INSTALLED WITH VIGNETTE AND VIGNETTE FINISHING TRIM - FINISHED FLUSH**

Designed for a minimum vent configuration when using a rear vent application with a horizontal termination in a corner installation.

Kit 946-612 Includes		
1	AstroCap XL	946-623/P
1	Rigid Pipe Adaptor	770-994
1	Vinyl Siding Standoff (Optional)	946-625
1	Wall Thimble	58DVA-WT
1	6" galvanized rigid pipe	58DVA-06
1	8-1/2" galvanized pipe extension	58DVA-08A
1	45° galvanized elbow	58DVA-E45
1	90 ml Mill Pac	948-128



Placement of the unit into the corner	
Back top corner of unit to wall	4"
Inside corner out along the wall	55-11/16"
Across the face of the unit, wall to wall	78-3/4"
Inside corner to front face of the unit	39-3/8"



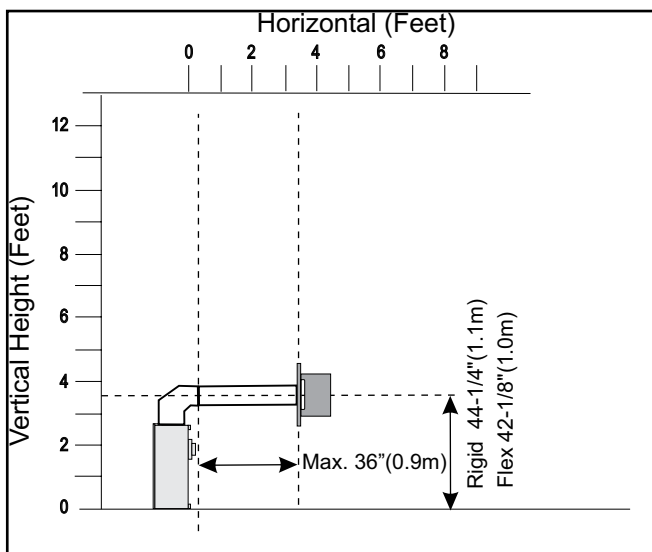
## VENTING ARRANGEMENTS FOR HORIZONTAL TERMINATIONS FLEX VENT OR RIGID PIPE 5" X 8"

The Diagrams show all allowable combinations of vent runs with 5" x 8" venting using the Regency direct vent system or rigid vent system. A vent guard should be used whenever the termination is lower than the specified minimum or as per local codes.

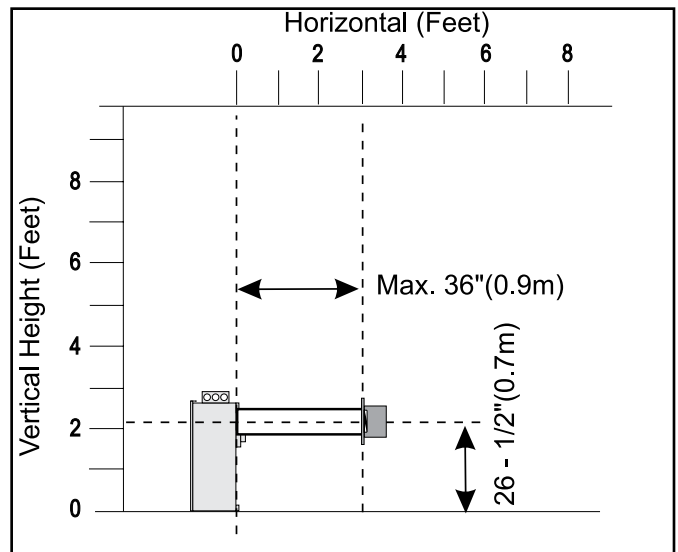
For horizontal terminations the Regency Direct Vent Flex System may be used for installations with a maximum **continuous** vent maximum horizontal length of 3ft (0.9m).

**Note: Must use optional rigid pipe adaptor (Part # 770-994) when using Rigid Pipe vent systems.**

- **Maintain clearance to combustibles.**
- **Horizontal vent must be supported every 3 feet.**
- **Firestops are required at each floor level and whenever passing through a wall.**



*Factory Setting - No Restrictor Required*



*Factory Setting - No Restrictor Required*

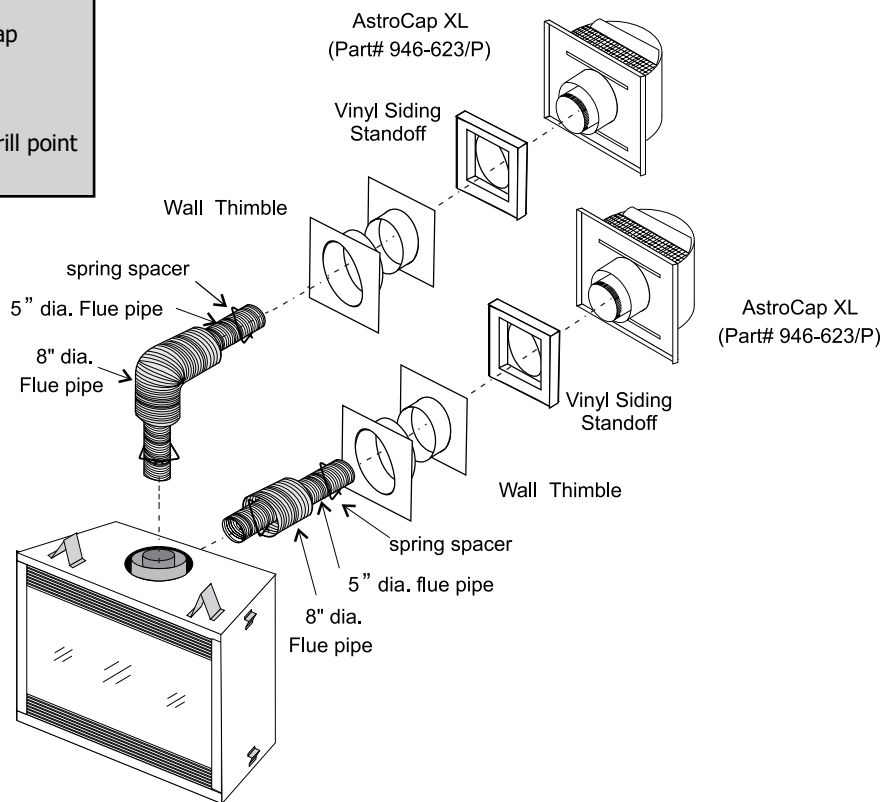
## HORIZONTAL TERMINATIONS Flex Vent 5" x 8"

These venting systems, in combination with the B36XTE Direct Vent Gas Fireplace, has been tested and listed as a direct vent heater system by Intertek. The location of the termination cap must conform to the requirements in the Vent Terminal Locations Diagram in "Exterior Vent Termination Locations" section.

**Regency® Direct Vent (Flex) System 4 foot Termination Kit (Part# 946-615) includes all the parts needed to install the B36XTE with a either a top or rear vent.**

**Note: If top venting this unit, the 5" x 8" venting may only be used if venting to the minimum of 42-1/8" to centerline. No other application is approved.**

FPI Kit #	Length	Contains:
#946-615	4 Feet	1) 8" flexible liner (Kit length) 2) 5" flexible liner (Kit length) 3) spring spacers 4) thimble 5) <b>AstroCap</b> termination cap 6) screws 7) tube of Mill Pac 8) plated screws 9) S.S. screws #8 x 1-1/2" drill point 10) vinyl siding standoff



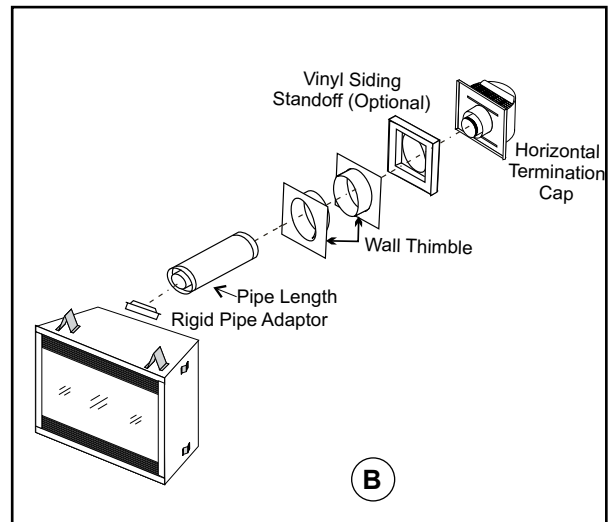
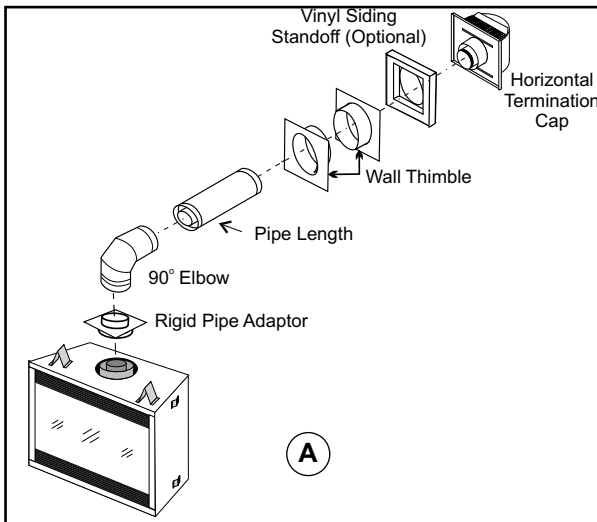
1. 8" dia. flexible liner (4 ft. length)
2. 5" dia. flexible liner (4 ft. length)
3. spring spacers (4)
4. thimble
5. AstroCapXL termination cap (1)
6. screws (12)
7. tube of Mill Pac (1)
8. plated screws (8)
9. screws #8 x 1-1/2" Drill Point, Stainless Steel (4)
10. vinyl siding standoff

**Notes:**

1. Liner sections should be continuous without any joints or seams.
2. Only Flex pipe purchased from Regency may be used for Flex installations.
3. Regency® Direct Vent System (Flex) is only approved for horizontal terminations.

## HORIZONTAL TERMINATIONS

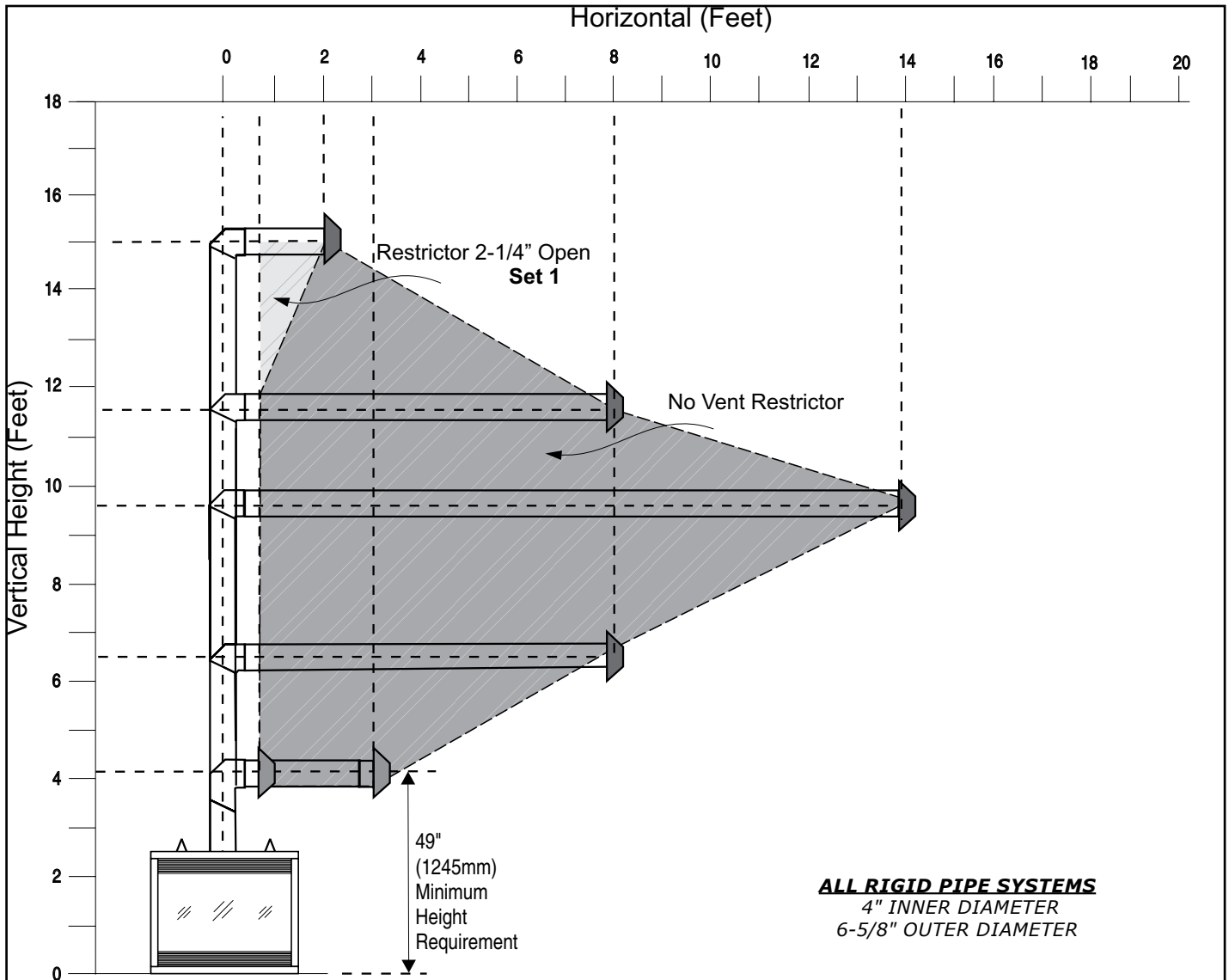
### Rigid Pipe 5"x 8"



Horizontal Termination	
A	<p><b>Top Vent - No Vertical Rise</b></p> <ul style="list-style-type: none"> <li>• When venting with a 90° elbow directly off the unit, must use 5" X 8" AstroCapXL™ Flex vent or approved Rigid Vent System</li> <li>• Max. 3 ft. horizontal run</li> </ul>
B	<p><b>Rear Vent w/ Horizontal Termination</b></p> <ul style="list-style-type: none"> <li>• Can only use 5" x 8" venting</li> <li>• Max. 3ft. horizontal run</li> </ul>

**VENTING ARRANGEMENTS FOR HORIZONTAL TERMINATIONS**  
**Rigid/Flex Pipe 4" x 6-5/8"**  
**Rigid Pipe - Must use Reducer Part # 946-606 & 770-994 Rigid Pipe Adaptor**  
**Flex Pipe - Must use Reducer Part #946-758**

The diagram shows all allowable combinations of vertical runs with horizontal terminations, using one 90° two 45° elbows equal one 90° elbow).



- Maintain clearances to combustibles as listed in "Clearances" section
- Horizontal vent must be supported every 3 feet.
- Firestops are required at each floor level and whenever passing through a wall.
- A wall thimble is mandatory for all horizontal terminations due to high temperatures.

## HORIZONTAL OR VERTICAL TERMINATIONS

Rigid Pipe 4" x 6-5/8"

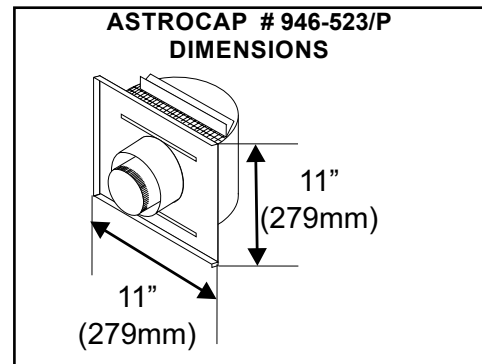
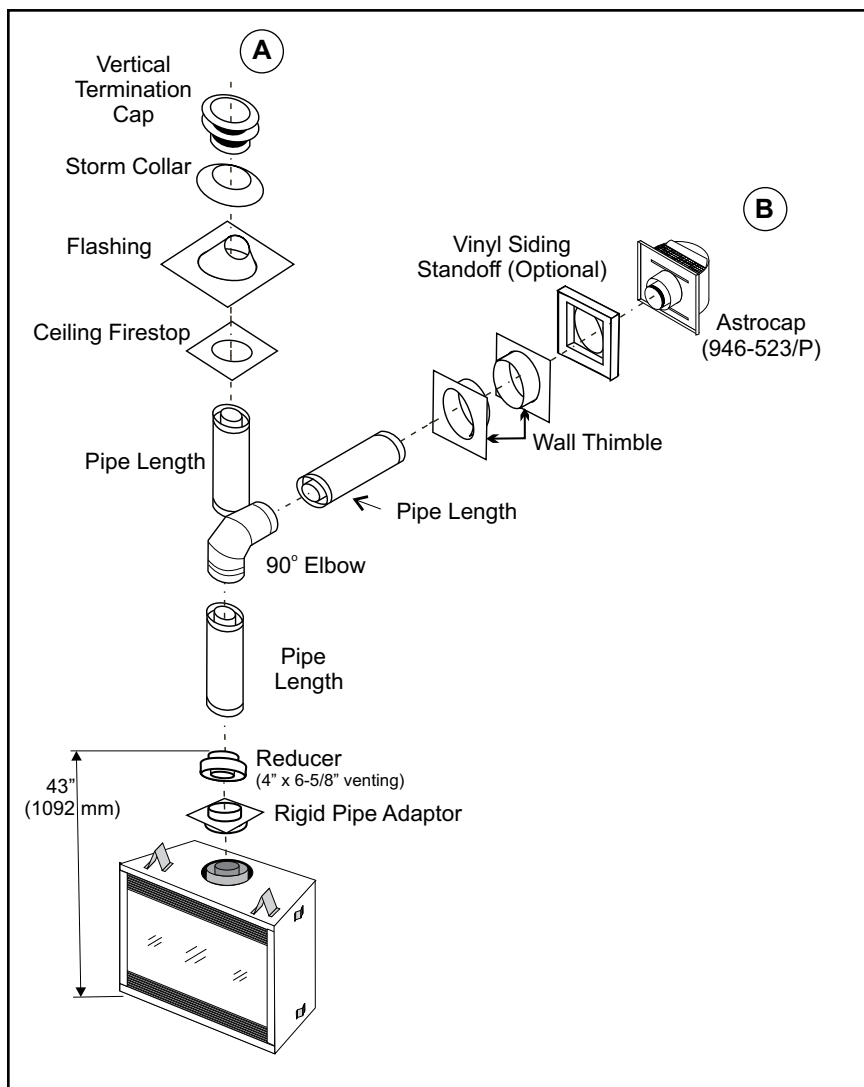
(must use Reducer Part # 946-606 & 770-994 Rigid Pipe Adaptor)

The minimum components required for a basic horizontal termination using 4" x 6-5/8" are:

- 1 Rigid Pipe Adaptor (770-994)
- 1 Reducer (946-606)
- 1 90° Elbow
- 1 Wall Thimble
- 1 Length of pipe to suit wall thickness
- 1 Horizontal Termination Cap

Wall thickness is measured from the back standoffs to the inside mounting surface of termination cap. For siding other than vinyl furring strips may be used, instead of the vinyl siding standoff, to create a level surface to mount the vent terminal. The Terminal must not be recessed into siding. Measure the wall thickness including furring strips.

If a Vinyl Siding Standoff is required (it must be used with vinyl siding), measure to outside surface of wall without siding and add 2 inches.



**WARNING:**

Do not combine venting components from different venting systems.

However use of the the AstroCap™ and Regency Riser is acceptable with all systems.

This product has been evaluated by Intertek when using a rigid pipe adaptor and use of any of the specific chimney systems listed in this manual. Use of these systems with the rigid pipe adaptor is deemed acceptable and does not affect the Intertek WHI listing of these components.

The Regency AstroCap™ and Regency Riser Vent terminal are certified for installations using Regency venting systems as well as any specific chimney systems listed in this manual. AstroCap™ is a proprietary trademark of Regency Fireplace Products.

## HORIZONTAL TERMINATIONS

### Two (2) 90° Elbows (Rigid/Flex Pipe 4" x 6 - 5/8")

*One 90° elbow = Two 45° elbows.*

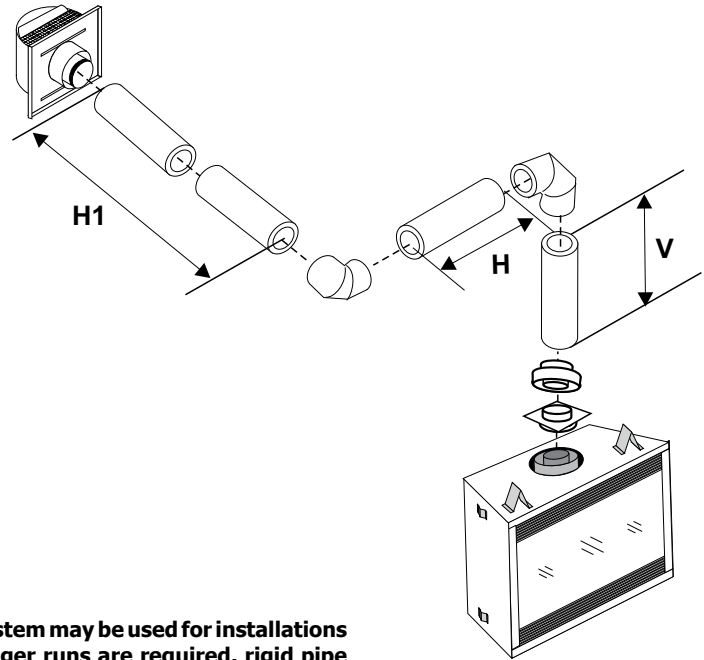
Option	V	H + H1	With these options, maximum total pipe length is 30 feet with minimum of 6 feet total vertical and maximum 8 feet total horizontal. <b>Please note minimum 1 foot between 90° elbows is required.</b>
A)	0' Min.	2' Max.	
B)	1' Min.	3' Max.	
C)	2' Min.	4' Max.	
D)	3' Min.	5' Max.	
E)	4' Min.	6' Max.	
F)	5' Min.	7' Max.	
G)	6' Min.	8' Max.	

Lengths do not include elbow indicated.

Rigid Pipe - Must use reducer # 946-606 and rigid pipe adaptor #770-994.

Flex Pipe - Must use reducer part #946-758.

**Note: For horizontal terminations the Regency Direct Vent Flex System may be used for installations with a maximum continuous vent length of up to 10 feet. If longer runs are required, rigid pipe must be used.**



## HORIZONTAL TERMINATIONS

### Three (3) 90° Elbows (Rigid/Flex Pipe 4" x 6 - 5/8")

*One 90° elbow = Two 45° elbows.*

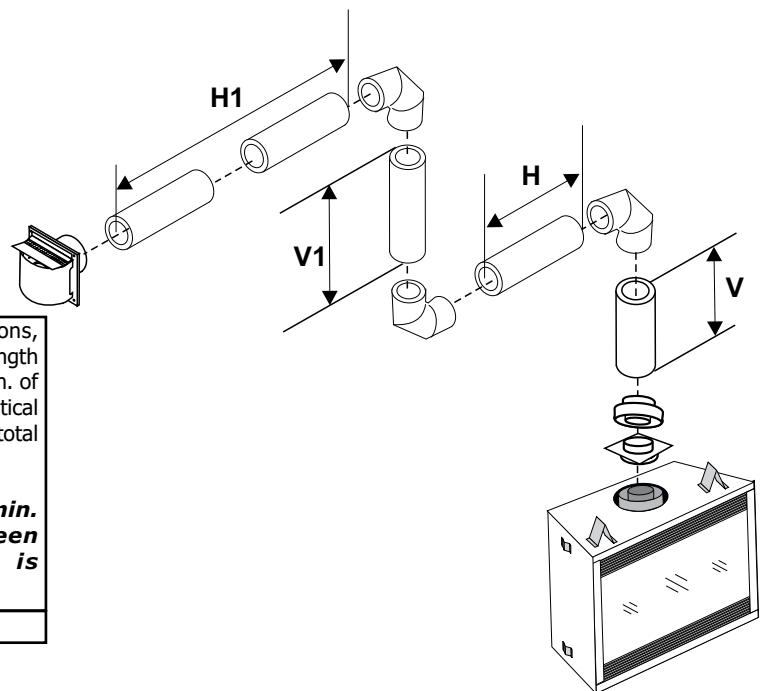
Option	V	H	V + V1	H + H1	With these options, max. total pipe length is 30 feet with min. of 12 feet total vertical and max. 9 feet total horizontal. <b>Please note min. 1 foot between 90° elbows is required.</b>
A)	0' Min.	1' Max.	1' Min.	2' Max.	
B)	1' Min.	2' Max.	3' Min.	3' Max.	
C)	2' Min.	2' Max.	5' Min.	4' Max.	
D)	3' Min.	2' Max.	7' Min.	5' Max.	
E)	4' Min.	3' Max.	9' Min.	6' Max.	
F)	5' Min.	4' Max.	10' Min.	7' Max.	
G)	6' Min.	5' Max.	11' Min.	8' Max.	
H)	7' Min.	6' Max.	12' Min.	9' Max.	

Lengths do not include elbow indicated.

Rigid Pipe - Must use reducer # 946-606 and rigid pipe adaptor #770-994.

Flex Pipe - Must use reducer part #946-758.

**Note: For horizontal terminations the Regency Direct Vent Flex System may be used for installations with a maximum continuous vent length of up to 10 feet. If longer runs are required, rigid pipe must be used.**





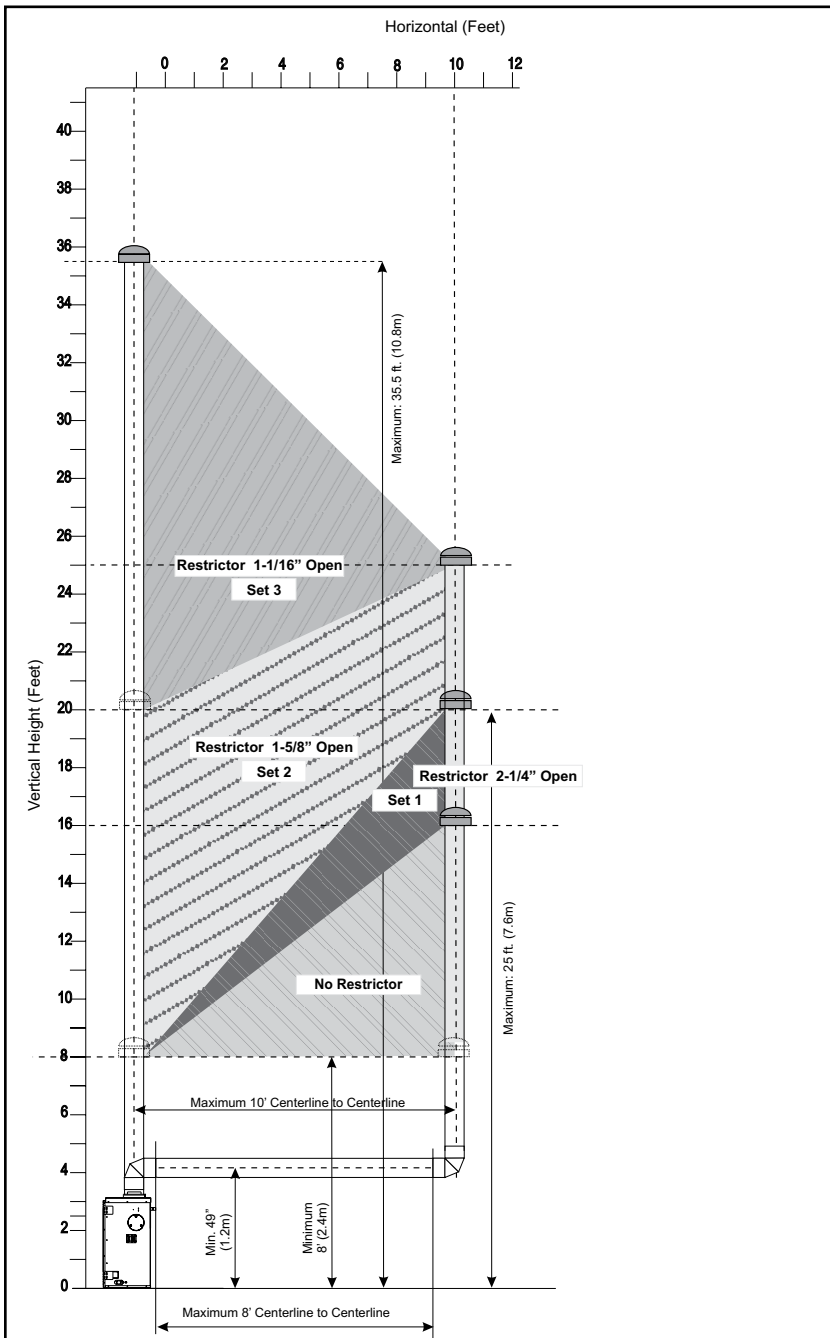
## VENTING ARRANGEMENTS FOR VERTICAL TERMINATIONS

**Rigid/Flex Pipe 4" x 6-5/8"**

**RIGID PIPE - MUST USE REDUCER PART # 946-606 & 770-994 RIGID PIPE ADAPTOR**

**FLEX PIPE - MUST USE REDUCER PART #946-758**

The shaded area in the Diagram shows all allowable combinations of straight vertical and offset to vertical terminations, using two 90° elbows, with **Rigid Pipe Venting Systems** for Propane and Natural Gas. Two 45° elbows equal to one 90° elbow. Maximum of four 45° elbows allowed.



- Vent must be supported at offsets.
- Firestops are required at each floor level and whenever passing through a wall.
- Maintain clearances to combustibles as listed in the "Clearances" section.
- Refer to the "Vent Restrictor Position" section for details on how to change the vent restrictor from the factory setting to 2-1/4" opening, 1-5/8" opening and to 1-1/16" opening.

## VERTICAL TERMINATIONS

### Three (3) 90° Elbows (Rigid Pipe 4" x 6 - 5/8")

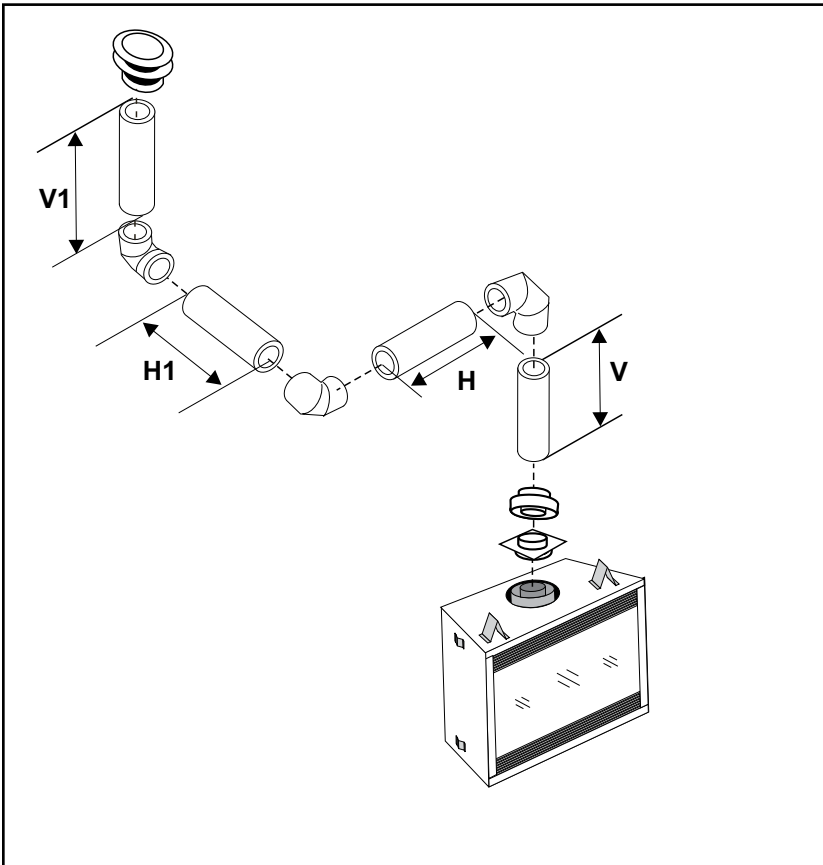
*One 90° elbow = Two 45° elbows.*

Option	V	H + H1	V + V1	
A)	0' Min.	2' Max.	2' Min.	With these options, max. total pipe length is 30 feet with min. of 10 feet total vertical and max. 8 feet total horizontal.  <b>Please note min. 1 foot between 90° elbows is required.</b>
B)	1' Min.	2' Max.	3' Min.	
C)	2' Min.	3' Max.	4' Min.	
D)	3' Min.	4' Max.	6' Min.	
E)	4' Min.	5' Max.	7' Min.	
F)	5' Min.	6' Max.	8' Min.	
G)	6' Min.	7' Max.	9' Min.	
H)	7' Min.	8' Max.	10' Min.	

**No Vent Restrictor Installed**

Lengths do not include elbow indicated.

Must use reducer # 946-606 and rigid pipe adaptor #770-994



## VENTING ARRANGEMENTS WITH CO-LINEAR FLEX SYSTEM

**THE APPLIANCE MUST NOT BE CONNECTED TO A CHIMNEY FLUE SERVING A SEPARATE SOLID FUEL BURNING APPLIANCE.**

Masonry chimneys may take various contours which the flexible liner will accommodate. However, **keep the flexible liner as straight as possible**, avoid unnecessary bending.

The Air Intake pipe must be attached to the inlet air collar of the termination cap.

This appliance is designed to be attached to two 3" (76mm) co-linear aluminium flex running the full length of the chimney. See the Venting Arrangements on next page for minimum and maximum heights.

### Required Parts:

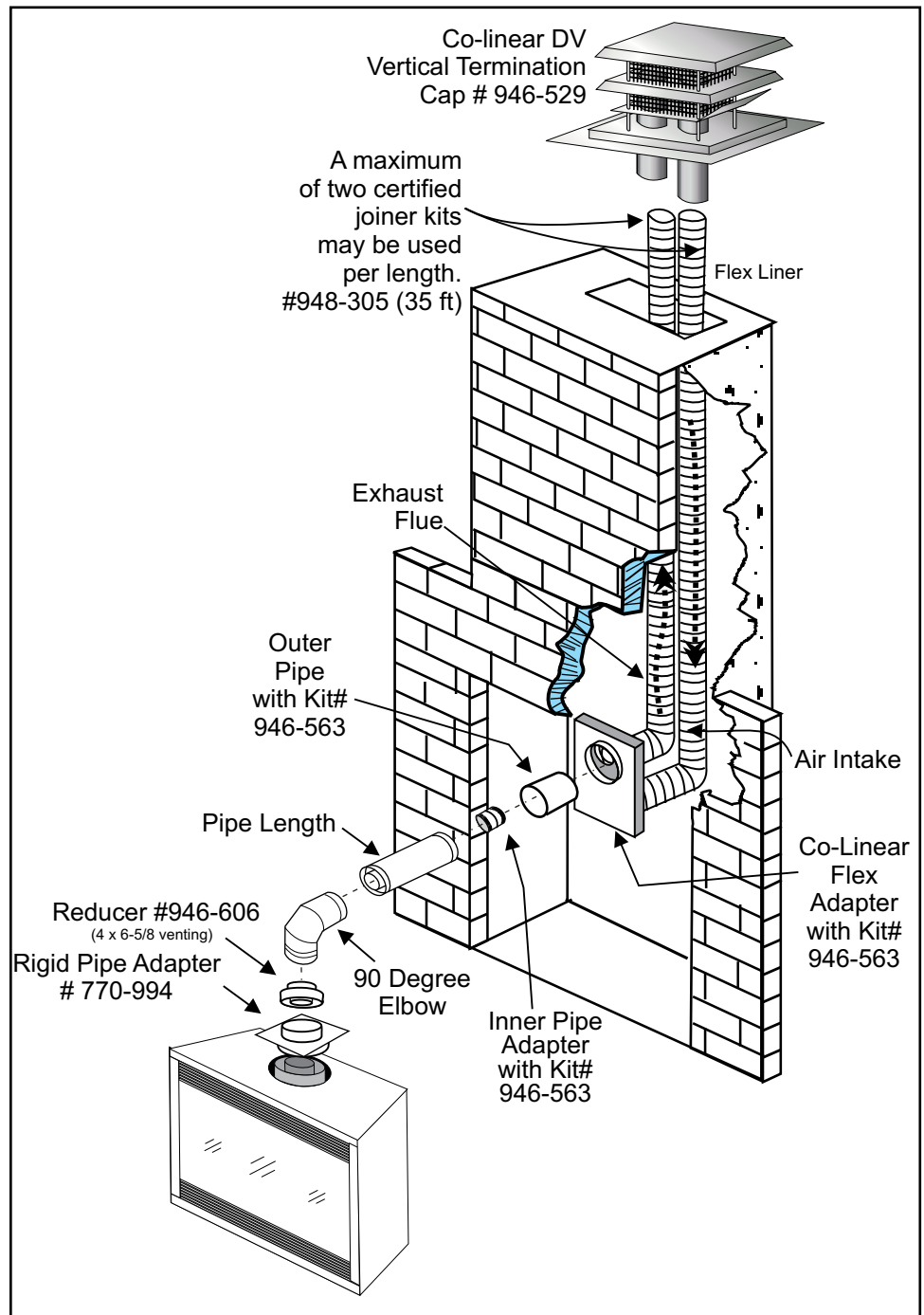
Part #	Description
946-529	Co-linear DV Vertical Termination Cap
948-305	3" Flex - 35 ft.
946-563	Co-Axial to Co-Linear Adapter Kit which contains the following: Co-linear Flex Adapter Outer Pipe Inner Pipe Adapter
770-994	Rigid Pipe Adaptor
946-606	Vent Reducer

### Alternate Approved Caps

46dva-VC	Vertical Termination Cap
46dva-VCH	High Wind Cap
46dva-GK	3" Co-linear Adapter with flashing

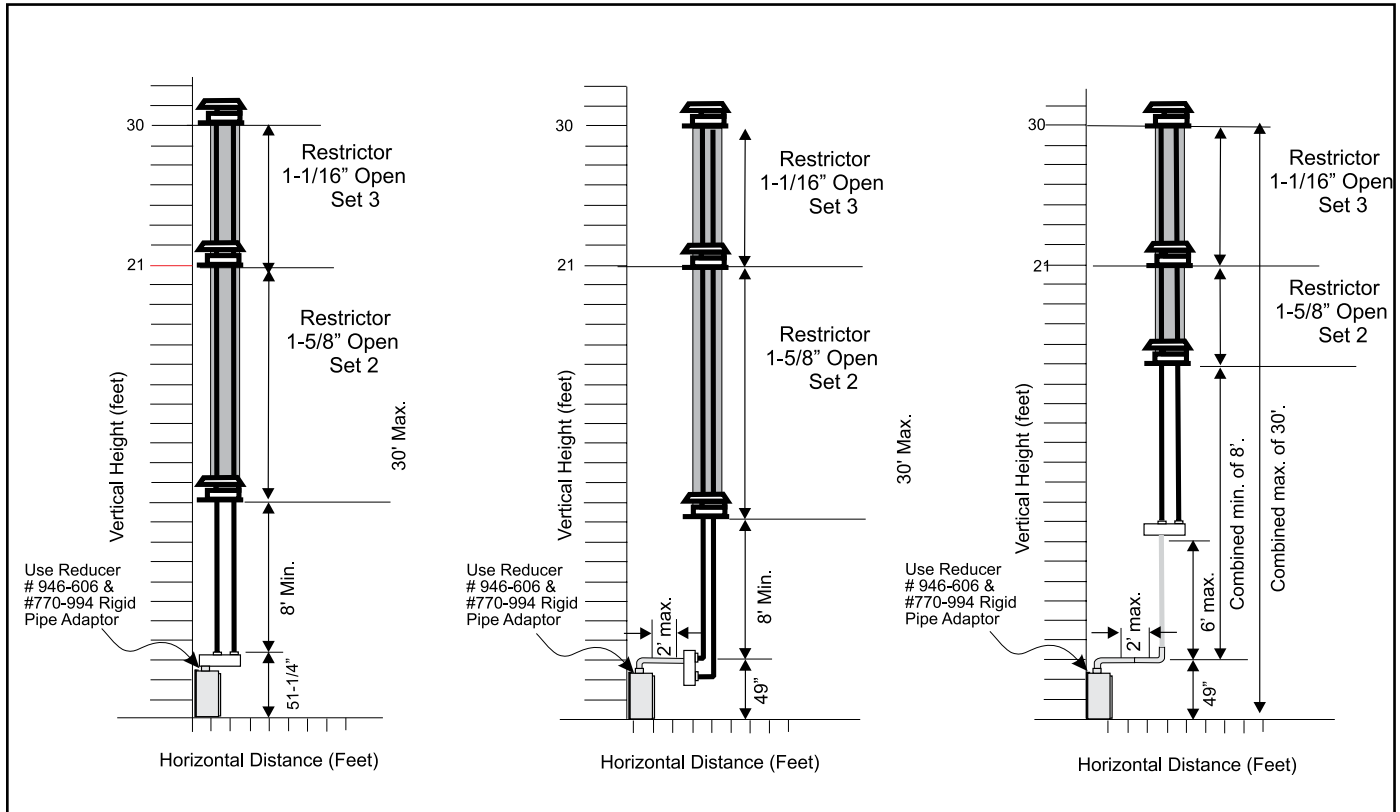
### NOTE:

See detailed venting arrangements, vertical terminations, co-linear flex system into masonry fireplaces in this manual.



## VERTICAL TERMINATIONS CO-LINEAR FLEX SYSTEM INTO MASONRY FIREPLACES

FOR BOTH RESIDENTIAL & MANUFACTURED HOMES



**The shaded area in the Diagrams show the allowable vertical terminations.**

## UNIT INSTALLATION WITH HORIZONTAL TERMINATION 4" X 6-5/8" OR 5" X 8" VENTING (Rigid Vent Systems)

### Minimum Vent Clearances to Combustibles

\* Clearances noted below must be maintained; except when passing through a wall, ceiling or at the termination where the use of a firestop or wall thimble reduces clearance to 1-1/2" (38mm).

Horizontal Top*	2" (51mm)*
Horizontal Side	1-1/2" (38mm)
Horizontal Bottom	1-1/2" (38mm)
Vertical Vent	1-1/2" (38mm)

Below are the recommended framing dimensions (inside measurements) for the 4" x 6-5/8" and 5" x 8" rigid vent terminations - for use with a firestop or wall thimble.

Recommended Framed Opening Size	
Vent Size	Framing Size
4" x 6 - 5/8"	10" x 10"
5" x 8"	11" x 11"

Install the vent system according to the manufacturer's instructions included with the components.

1. Set the unit in its desired location. Check to determine if wall studs or roof rafters are in the way when the venting system is attached. If this is the case, you may want to adjust the location of the unit. Rough in the gas preferably on the right side of the unit and the electrical (junction block is on the left side) on the left.
2. Direct Vent pipe and fittings are designed with special twist-lock connections to connect the venting system to the appliance flue outlet. A twist-lock appliance adaptor is required.
3. In conjunction with the Approved Vent system, install the adaptor after the unit is set in its desired location. Put a bead of Mill-Pac inside the outer section of the adaptor and a bead of on the inner collar. Slip the adaptor over the existing inner and outer flue collar. Fasten to the outer collar only with the 3 supplied screws (drilling pilot holes will make this easier).
4. Level the fireplace and fasten it to the framing using nails or screws through the top and side nailing strips.
5. Assemble the desired combination of pipe and elbows to the appliance adaptor and twist-lock for a solid connection.

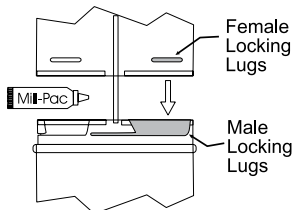


Diagram 1

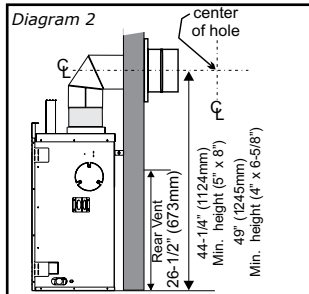
**Note:** For best results and optimum performance with each approved venting system, it is highly recommended to apply "Mill-Pac" sealant (supplied) to every inner pipe connection. Failure to do so may result in drafting or performance issues not covered under warranty. Horizontal runs of vent must be supported every 3 feet (0.9meter). Wall straps are available for this purpose.

6. Mark the wall for a square hole.-see chart to left for size. The center of the square hole should line up with the center-line of the horizontal pipe. Cut and frame the square hole in the exterior wall where the vent will be terminated. See Diagram 2 for center line requirements.

If the wall being penetrated is constructed of non-combustible material, i.e. masonry block or concrete, an 8" (203mm) diameter hole is acceptable.

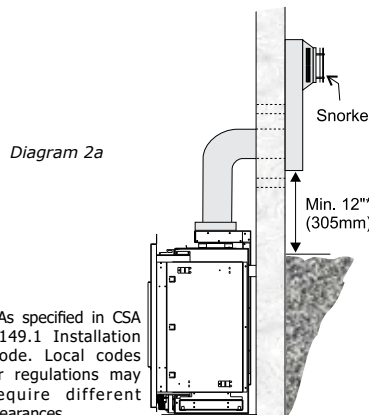
### Note:

- a) The horizontal run of vent must be level, or have a 1/4 inch rise for every 1 foot of run towards the termination. Never allow the vent to run downward. This could cause high temperatures and may present the possibility of a fire.
- b) The location of the horizontal vent termination on an exterior wall must meet all local and national building codes, and must not be blocked or obstructed. See "Exterior Vent Termination Locations" section for more details.



### c) Snorkel Terminations:

For installations requiring a vertical rise on the exterior of the building, 14-inch and 36-inch tall snorkel terminations as shown in Diagram 2 are available, as well as the standard riser vent. Follow the same installation procedures as used for standard horizontal termination. NEVER install the snorkel upside down.



\*As specified in CSA B149.1 Installation Code. Local codes or regulations may require different clearances.

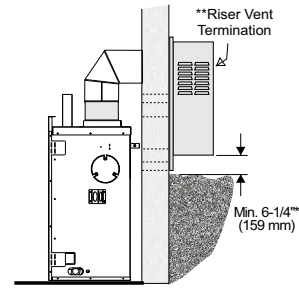


Diagram 2b

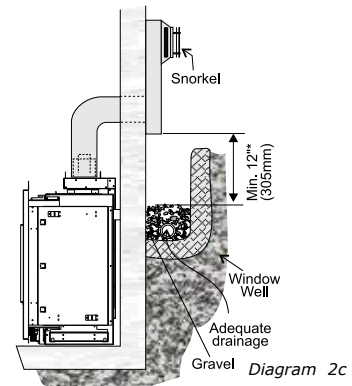
\*\*Note: Riser vent is only for use in above grade terminations.

**\*\*NOTE: For snorkel terminations in ABOVE grade installations, follow national or local code requirements.**

**Vent riser is only available with 4" x 6-5/8" venting. With 5" x 8" venting, use an optional snorkel termination.**

### Below Grade Snorkel Installation

If the snorkel termination must be installed below grade, i.e. basement application, proper drainage must be provided to prevent water from entering the snorkel termination. Do not attempt to enclose the snorkel within the wall or any other type of enclosure. See diagram 2c.



7. Ensure that the pipe clearances to combustible materials are maintained (Diagram 5). Install the termination cap.

**Note: If installing termination on a vinyl siding covered wall, a vinyl siding standoff or furring strips must be used to ensure that the termination is not recessed into the siding.**

The four wood screws provided should be replaced with appropriate fasteners for stucco, brick, concrete, or other types of sidings.

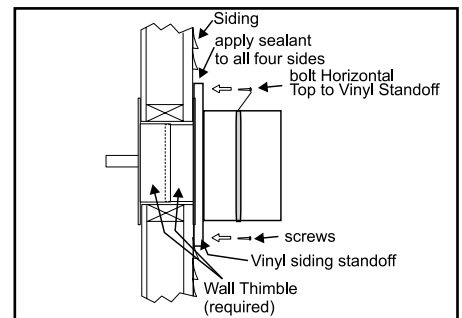


Diagram 3

- Before connecting the horizontal run of vent pipe to the vent termination, slide the Wall Thimble over the vent pipe. The wall thimble is required for all horizontal terminations.
- Slide the appliance and vent assembly towards the wall carefully inserting the vent pipe into the vent cap assembly. It is important that the vent pipe extends into the vent cap sufficient distance so as to result in a minimum pipe overlap of 1-1/4 inches (32mm). Secure the connection between the vent pipe and the vent cap.
- Install wall thimble in the center of the framed hole and attach with wood screws (Diagram 4).

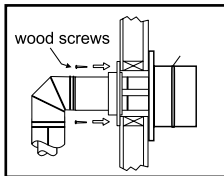


Diagram 4

## UNIT INSTALLATION WITH HORIZONTAL TERMINATION

### 5" X 8" VENTING

#### (Flex Vent Systems)

#### Minimum Vent Clearances to Combustibles

\* Clearances noted below must be maintained; except when passing through a wall, ceiling or at the termination where the use of a firestop or wall thimble reduces clearance to 1-1/2" (38mm).

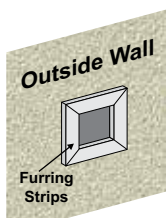
Horizontal Top	2" (51mm)
Horizontal Side	1-1/2" (38mm)
Horizontal Bottom	1-1/2" (38mm)
Vertical Vent	1-1/2" (38mm)

Below are the recommended framing dimensions (inside measurements) for the 5" x 8" flex vent terminations - for use with a firestop or wall thimble.

Recommended Framed Opening Size	
Vent Size	Framing Size
5" x 8"	11" x 11"

- Locate the unit in the framing, rough in the gas (preferably on the right side of the unit). Locate the centerline of the termination and mark wall accordingly. Cut an square hole in the wall - see chart (inside dimension).

**Note:** If installing termination on a siding covered wall, a vinyl siding standoff or vinyl furring strips must be used to ensure that the termination is not recessed into the siding.



- Level the fireplace and fasten it to the framing using nails or screws through the nailing strips.
- Assemble the vent assembly by applying Mill-Pac to the inner flue collar of the termination and slipping the inner flex liner over it at least 1-3/8" (35mm). Fasten with the 3 screws (drilling pilot holes will make this easier). Apply Mill-Pac to the outer flex pipe and slip it over the outer flue collar of the vent terminal at least 1-3/8"(35mm) and fasten with the 3 screws.

**NOTE: Horizontal sections must be supported at intervals not exceeding 3 feet (0.9 meter). (Flame picture and performance will be affected by sags in the liner).**

- Separate the 2 halves of the wall thimble and securely fasten the one with the tabs to the outside wall making sure that the tabs are on top and bottom. Fasten the other thimble half to the inside wall. The thimble halves slip inside each other and can be adjusted for 2 x 4 or 2 x 6 walls.
- Slip the assembled liner and termination assembly through the thimble making sure the termination cap faces up (there are markings on the cap that show which way is up). This will position the termination cap with proper down slope for draining water. Fasten the cap to the outer wall with the 4 supplied screws.
- Pull the centre inner and outer flex liner out enough to slip over the flue collars of the fireplace. (You may wish to cut the liner shorter to make it more workable.) Do not bend liner more than 90°. **The liners must slip over the collars a minimum of 1-3/8".**
- Apply Mill-Pac over the fireplace inner flue collar and slip the inner flex liner down over it and attach with 3 supplied screws.
- Do the same with the outer flue collar and outer flex liner.
- Apply a bead of silicone between the thimble and termination and around the outer edge of the terminal at the wall in order to keep the water out.

**IMPORTANT:** Do not locate termination hood where excessive snow or ice buildup may occur. Be sure to check vent termination area after snow falls, and clear to prevent accidental blockage of venting system. When using snow blowers, make sure snow is not directed towards vent termination area.