

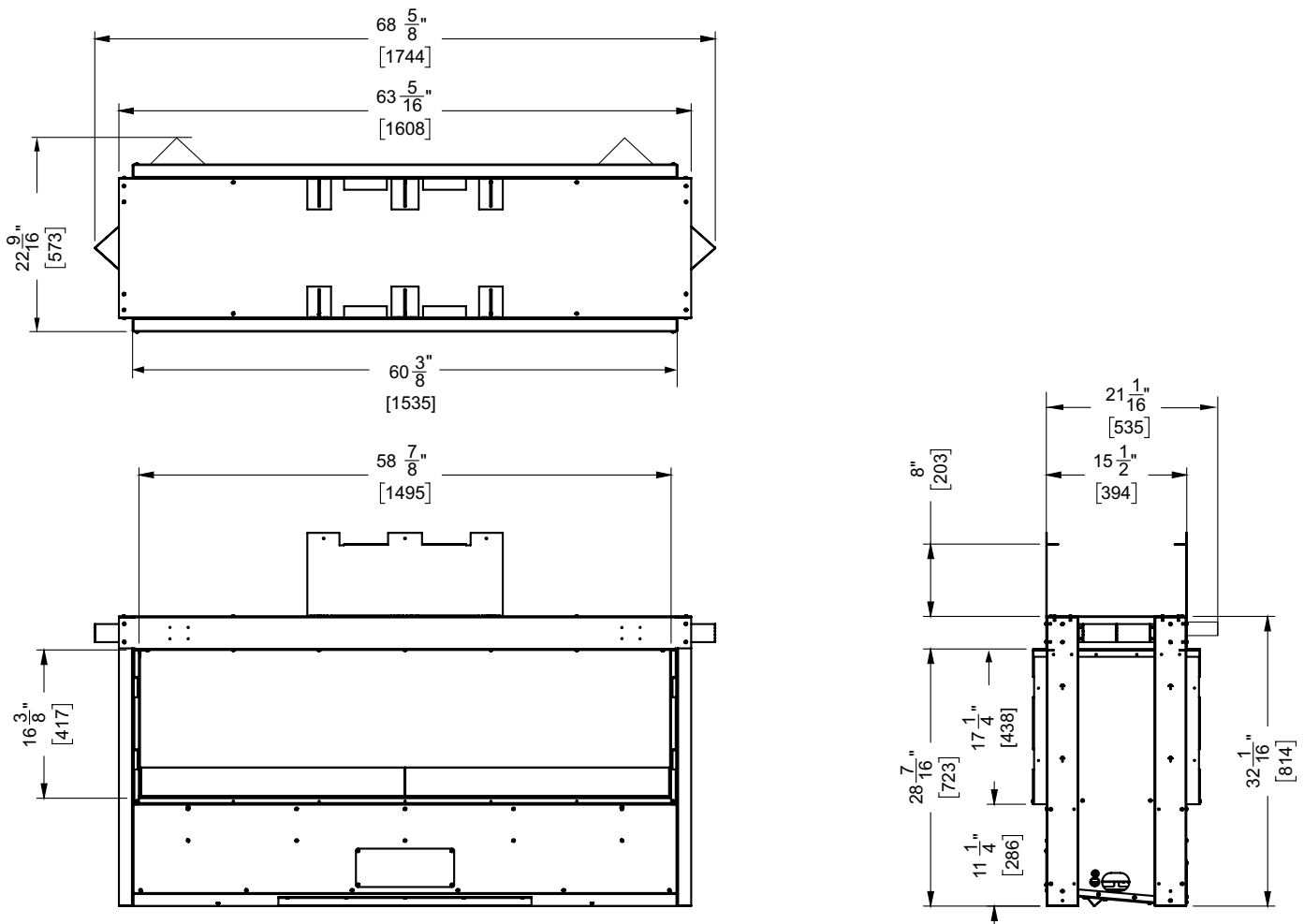
## HZO60 Outdoor Decorative Fireplace

### Specifications:

Model	HZO60-NG	HZO60-LP
Fuel Type	Natural Gas	Propane Gas
Minimum Supply Pressure	14" W.C. (3.49 kPa)	14" W.C. (3.49 kPa)
Minimum Supply Pressure	5" W.C. (1.25 kPa)	11" W.C. (2.74 kPa)
Manifold Pressure - High	3.5" W.C. (0.87 kPa)	10" W.C. (2.49 kPa)
Orifice Size	#11 DMS	#42w DMS
Maximum Input Altitude 0-4500 ft.	64,000 Btu/h (18.76 kW)	62,000 Btu/h (18.17 kW)
Vent Sizing	No Vent	No Vent

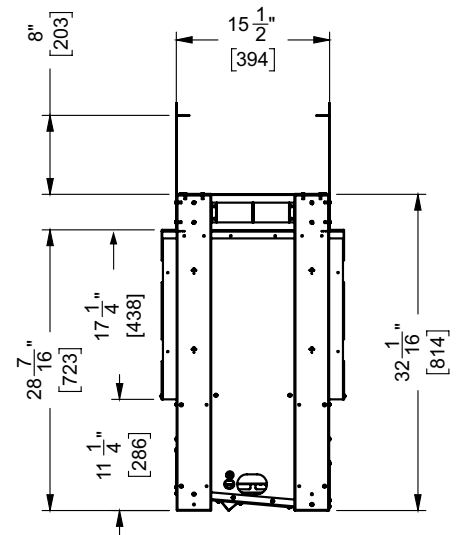
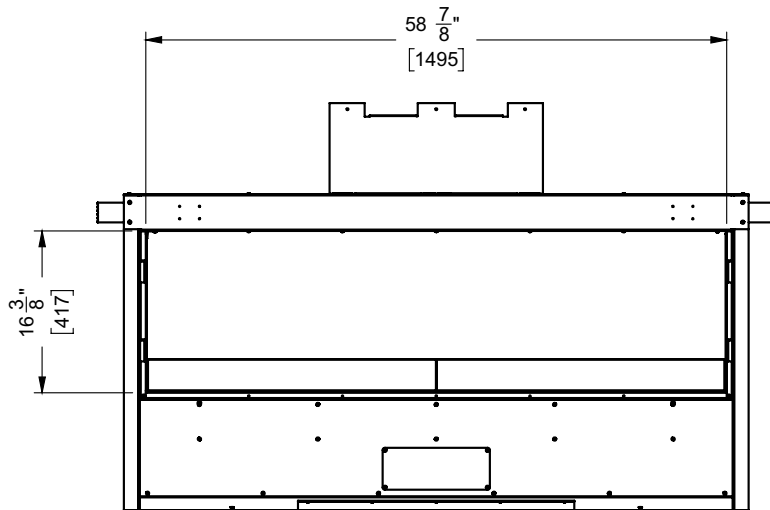
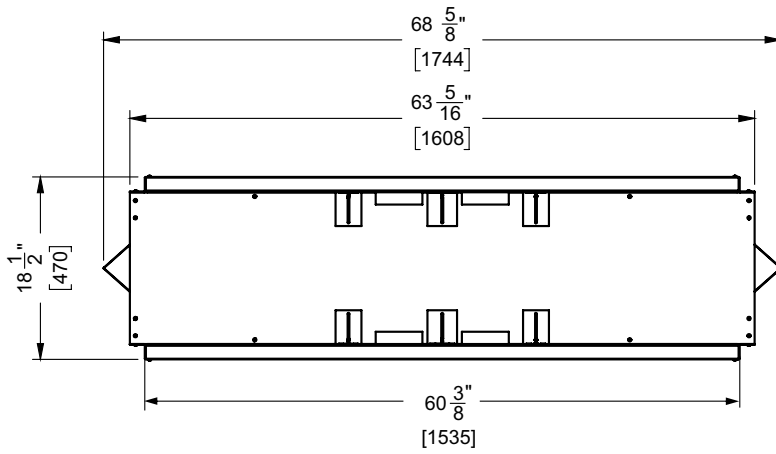


### UNIT DIMENSIONS - HZO60 SINGLE SIDED



HZO60 Outdoor Decorative Gas Fireplace

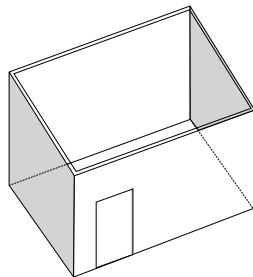
**UNIT DIMENSIONS - HZO60 SEE THROUGH**



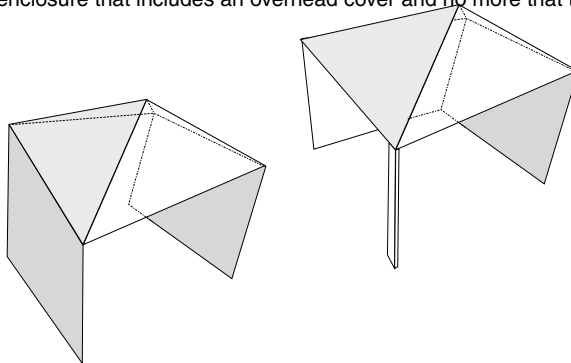
## LOCATING YOUR OUTDOOR DECORATIVE GAS APPLIANCE

- 1) When selecting a location for your outdoor decorative gas appliance, ensure that the clearances are met.
- 2) This appliance must be installed in an open-air situation with natural ventilation, without stagnant areas, where gas leakage and products of combustion are rapidly dispersed by wind and natural convection.
- 3) Certain materials or items, when placed under or near the appliance, will be subjected to radiant heat and could become damaged.
- 4) Typically an outdoor space is not enclosed but, any enclosure in which the appliance is used shall comply with one of the following:

An enclosure with walls on all sides, but at least one permanent opening at ground level and no overhead cover.



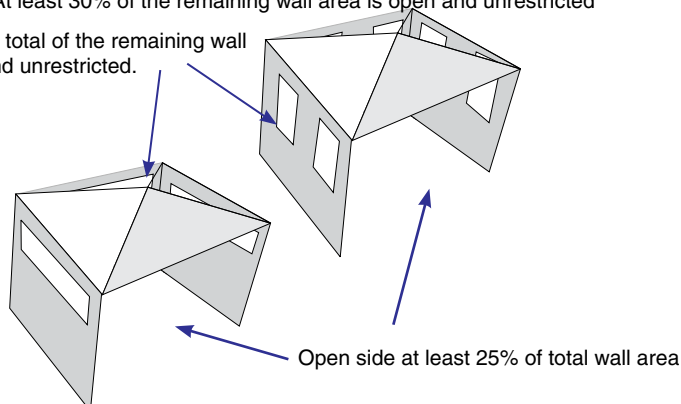
Within a partial enclosure that includes an overhead cover and no more than two walls.



Within a partial enclosure that includes an overhead cover and more than two walls, the following shall apply:

- At least 25% of the total wall area is completely open, and
- At least 30% of the remaining wall area is open and unrestricted

30% or more in total of the remaining wall area is open and unrestricted.



## MINIMUM CLEARANCES TO COMBUSTIBLES

The clearances listed below are Minimum distances unless otherwise stated:

A major cause of fires is failure to maintain required clearances (air space) to combustible materials. It is of the greatest importance that this fireplace be installed only in accordance with these instructions.

### Caution Requirements

The top, back and sides of the fireplace are defined by standoffs. The metal ends of the standoff may **NOT** be recessed into combustible construction.

### WARNING

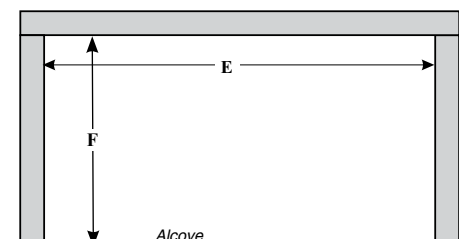
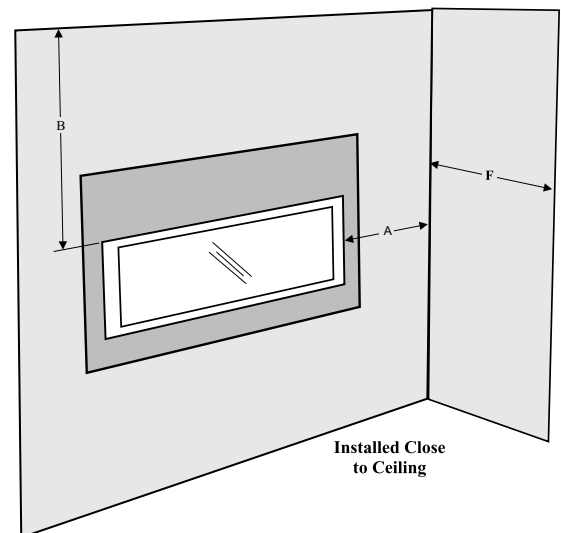
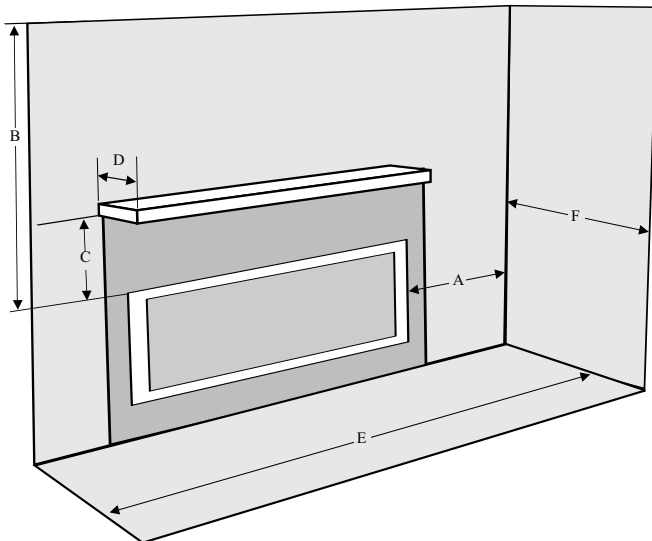
Fire hazard is an extreme risk if these clearances (air space) to combustible materials are not adhered to. It is of greatest importance that this fireplace be installed only in accordance with these instructions.

## HZO60 External Clearance Requirements

Clearance:	Dimension	Measured From:
<b>A: Sidewall</b>	11" (203mm)	Side of Fireplace Opening
<b>B: Ceiling</b>	36" (914mm)	Top of Fireplace Opening
<b>C: Mantel Height (min.)</b>	22" (559mm)	Top of Fireplace Opening
<b>D: Mantel Depth (max.)</b>	12" (304mm)	From Wall
<b>E: Alcove Width</b>	86" (2184mm)	Wall to Wall (Minimum)
<b>F: Alcove Depth</b>	36" (914mm)	Front to Back Wall (Maximum)
<b>Notes:</b>	0"	No Hearth Required

### WARNING:

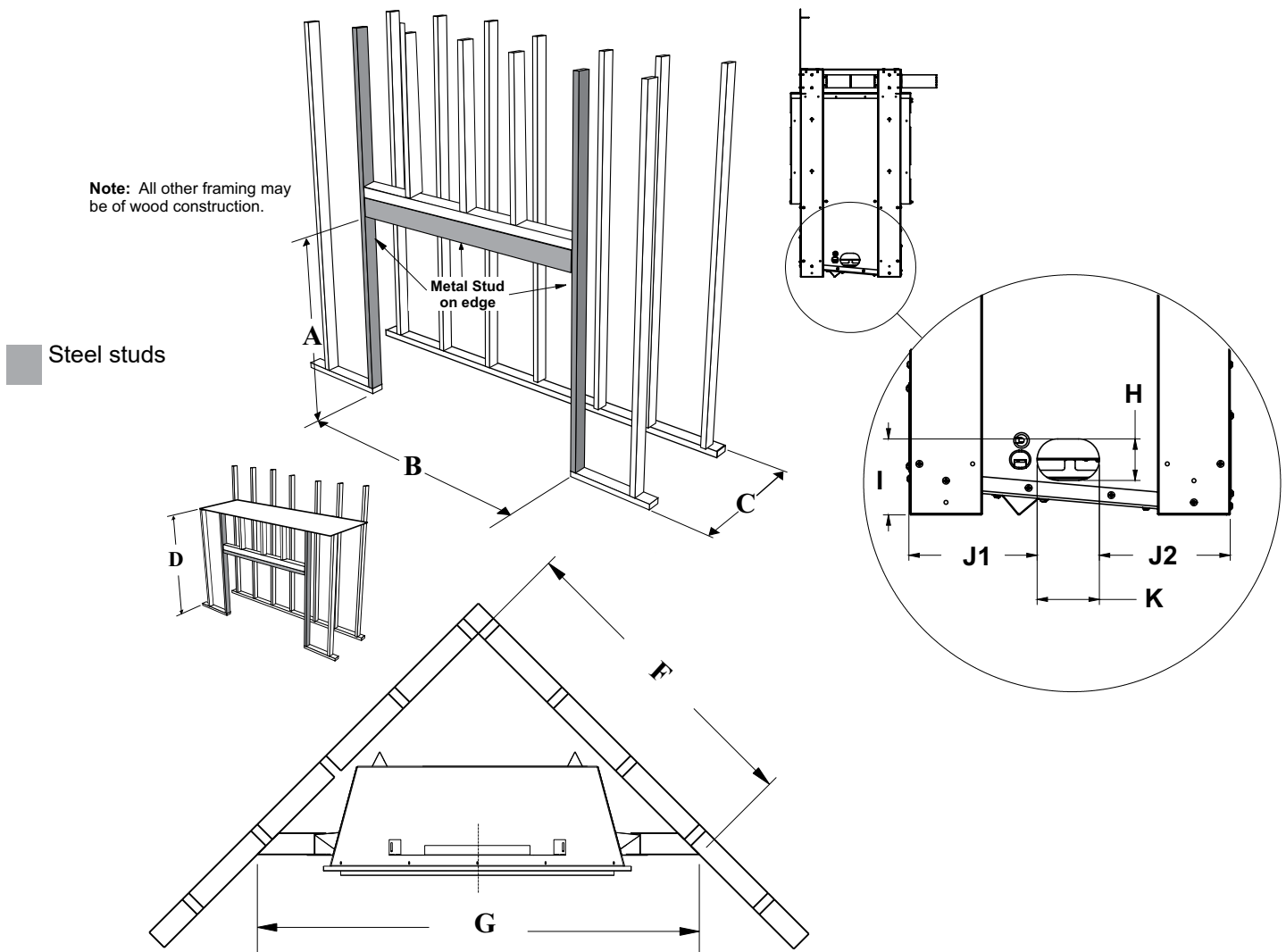
When installing this appliance; do not cover or surround with insulation. This appliance can overheat and cause malfunction and component failure, if covered, or partially covered. If the appliance is installed inside a chase, insulation must be installed on the walls of the chase, not on the appliance.



### FRAMING DIMENSIONS SINGLE SIDED

Framing Dimensions	Description	HZO60
A	Framing Height	40-1/4" (1022mm)
B	Framing Width	69" (1753mm)
C	Minimum framing depth	22-1/4" (565mm)
D	Minimum Height to Combustibles (Chase Enclosure)	43-3/4" (1111mm)
F	Corner Wall Depth	76- 13/16" (1951mm)
G	Corner Facing Wall Width	108 - 5/8" (2759mm)
H	Gas Connection Opening Height	2" (51mm)
I	Gas Connection Height	3-11/16" (93mm)
J1	Gas Connection Inset	6-3/16" (157mm)
J2	Gas Connection Inset	6-3/16" (157mm)
K	Gas Connection Opening Width	3" (76mm)

\* Framing depth measurement is noted with the nailing strips set as far forward on the firebox as possible. The nailing strips can be adjusted back up to 1" to allow for varying thicknesses in non-combustible material & wall finishes.



**Important Note:** Two (2) ventilation grills are highly recommended for all enclosures. This is to alleviate moisture and allow for air to circulate. Minimum recommended size: 20" sq (508 mm<sup>2</sup>) ea.

### FRAMING DIMENSIONS SEE THROUGH

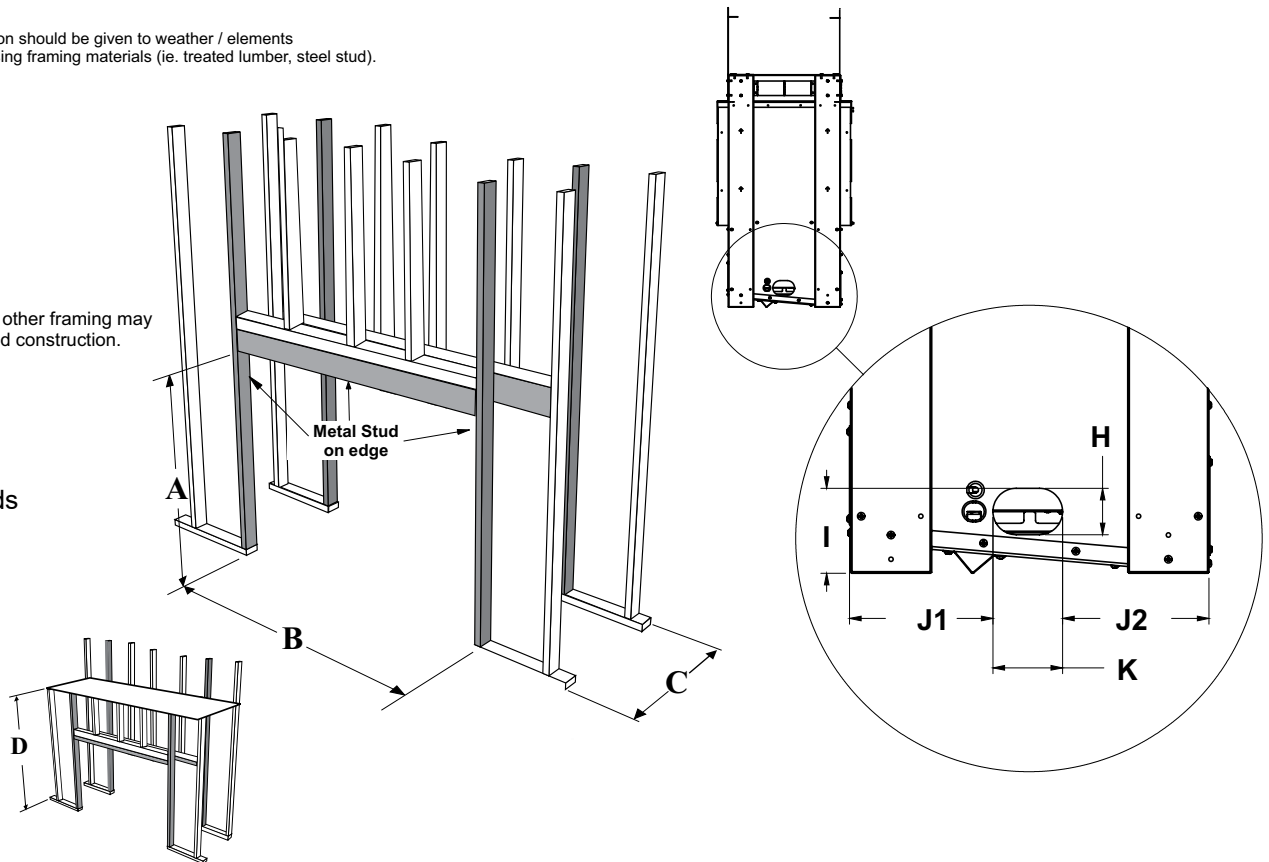
Framing Dimensions	Description	HZO60 See Through
A	Framing Height	40-1/4" (1022mm)
B	Framing Width	69" (1753mm)
C	Minimum framing depth	18-1/2" (470mm) **minus 2X the finished material thickness
D	Minimum Height to Combustibles (Chase Enclosure)	43-3/4" (1111mm)
H	Gas Connection Opening Height	2" (51mm)
I	Gas Connection Height	3-11/16" (93mm)
J1	Gas Connection Inset	6-3/16" (157mm)
J2	Gas Connection Inset	6-3/16" (157mm)
K	Gas Connection Opening Width	3" (76mm)

\*\*Finished material thickness includes: non combustible material, tile slate, etc.  
(example framing = 18-1/2" - if 2" thick finishing material is used (on both sides)=14-1/2" framing depth.

**Note:**  
Consideration should be given to weather / elements when choosing framing materials (ie. treated lumber, steel stud).

**Note:** All other framing may be of wood construction.

Steel studs

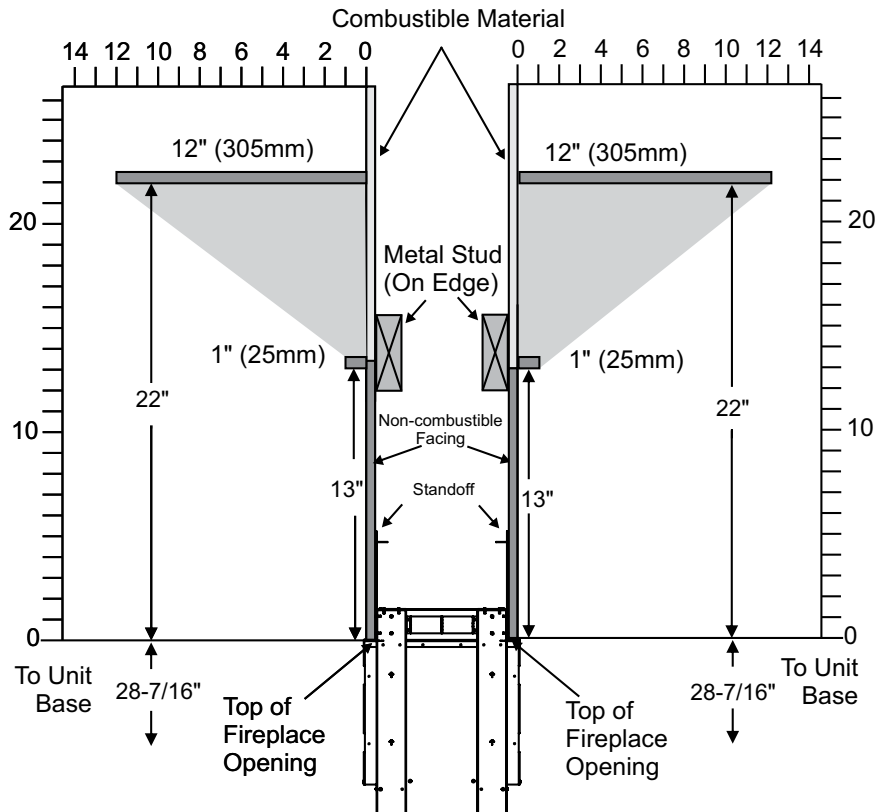


**Important Note:** Two (2) ventilation grills are highly recommended for all enclosures. This is to alleviate moisture and allow for air to circulate. Minimum recommended size: 20" sq (508 mm<sup>2</sup>) ea.

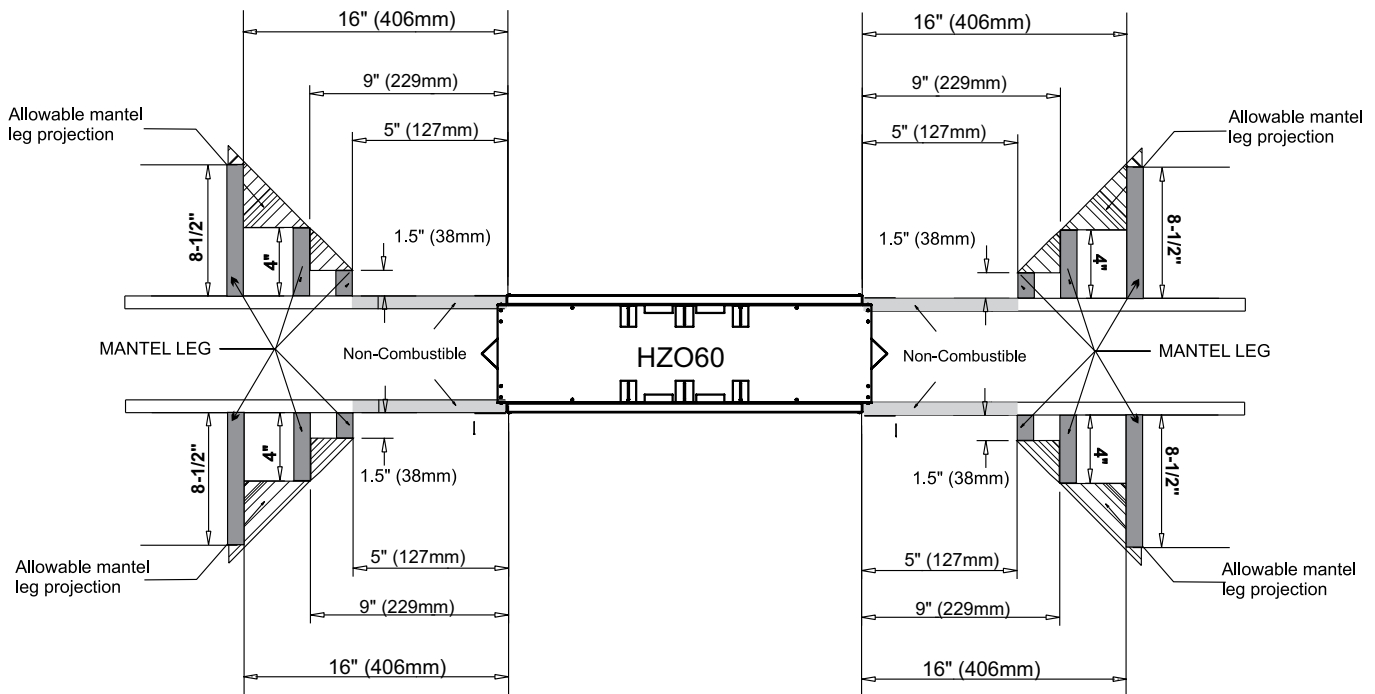
## MANTEL CLEARANCES (SINGLE SIDED AND SEE THROUGH)

Due to the extreme heat this fireplace emits, the mantel clearances are critical. Combustible mantel clearances from top of front facing are shown in the diagram on the right.

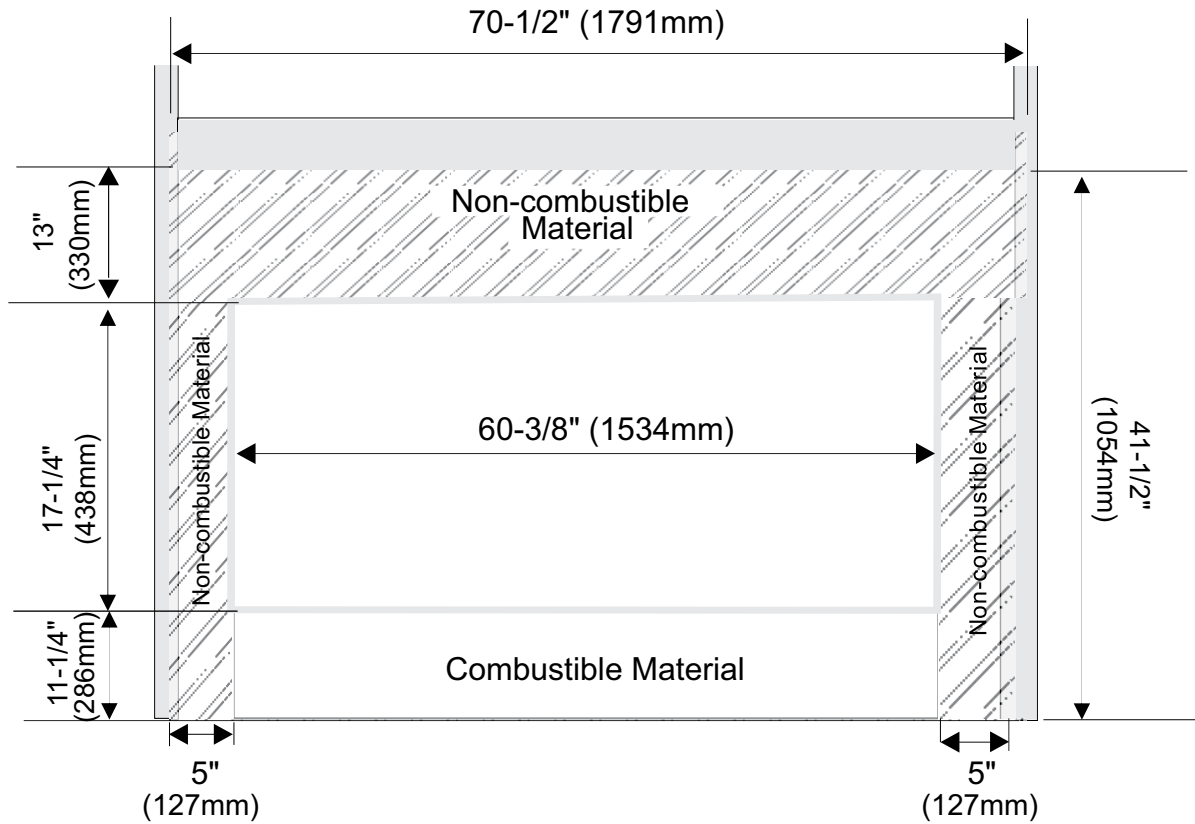
**Note:** Ensure the paint that is used on the mantel and the facing is "heat resistant" or the paint may discolour.



## MANTEL LEG CLEARANCES (SINGLE SIDED AND SEE THROUGH)



### NON-COMBUSTIBLE REQUIREMENTS





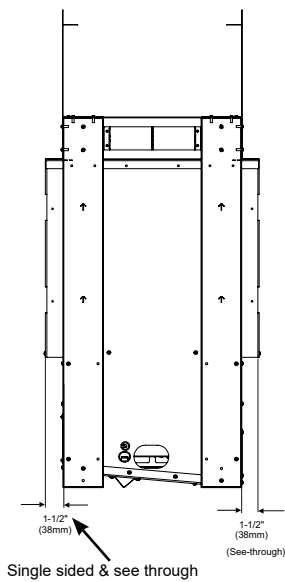
## FRAMING & FINISHING

1. Frame in the enclosure for the unit with framing material.

**IMPORTANT: Vertical studs and the header must be metal.**

**Note: When constructing the framed opening, please ensure there is access to install the gas lines when the unit is installed.**

2. The unit does not have to be completely enclosed in a chase. You must maintain clearances from the vent to combustible materials: See "Clearances" section. Combustible materials can be laid against the side and back standoffs and the stove base.
3. Non-combustible material (ie. tile, slate, etc) may be brought up to and overlap the unit (top and bottom) ensuring that the maximum thickness does not go beyond the 1-1/2" as shown in the diagram below. The faceplate will not be able to be mounted if the finished material is beyond 1-1/2". See Step 4 if facing/finishing materials will be more than 1-1/2".



Finished Material	Nailing Strip Position	
1/2"	1"	<p>Nailing Strip 1" Forward</p> <p>Unit</p>
1"	1/2"	<p>Nailing Strip 1/2" Forward</p> <p>Unit</p>
1-1/2"	0"	<p>Nailing Strip Flush w/unit Factory Set</p> <p>Unit</p>

**Note:**

Depending on the material used for finishing, the nailing strips must be set accordingly so that the finished material is always at the 1-1/2" edge of the flange.

4. If material such as brick, stone, etc. extends past the faceplate depth, when finishing around the faceplate, the minimum opening dimensions noted below must be adhered to ensuring for the removal of the faceplate and for the safe operation of this appliance.

