

Bellerive I200B-1 Fireplace Insert

I200B-1	
Flue Size	152 mm
Efficiency	65%
Average Heat Output (kW)	13.3 kW
Emissions	0.8 g/kg
Heating Capacity	250+ sq.m*

*Varies depending on home floor plan, house layout, heat loss of the house and quality/moisture content of wood.

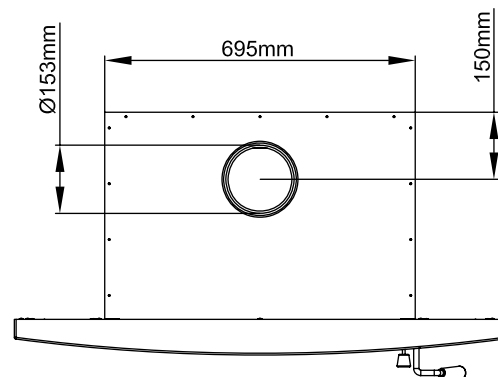
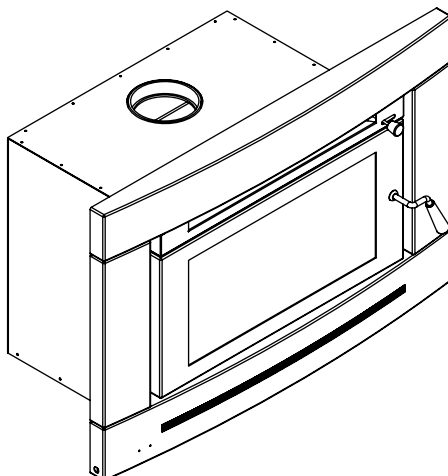
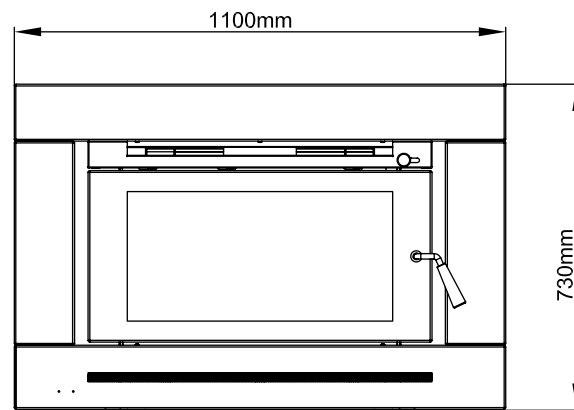
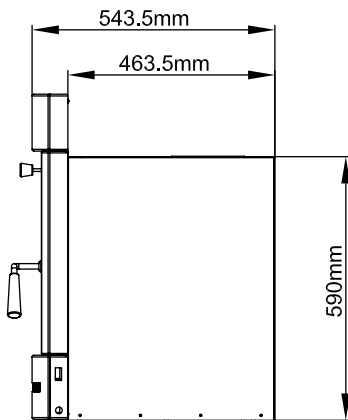
Wood Insert Specifications

Your fireplace opening requires the following minimum sizes:

Height	597 mm
Width	699 mm
Depth	468 mm

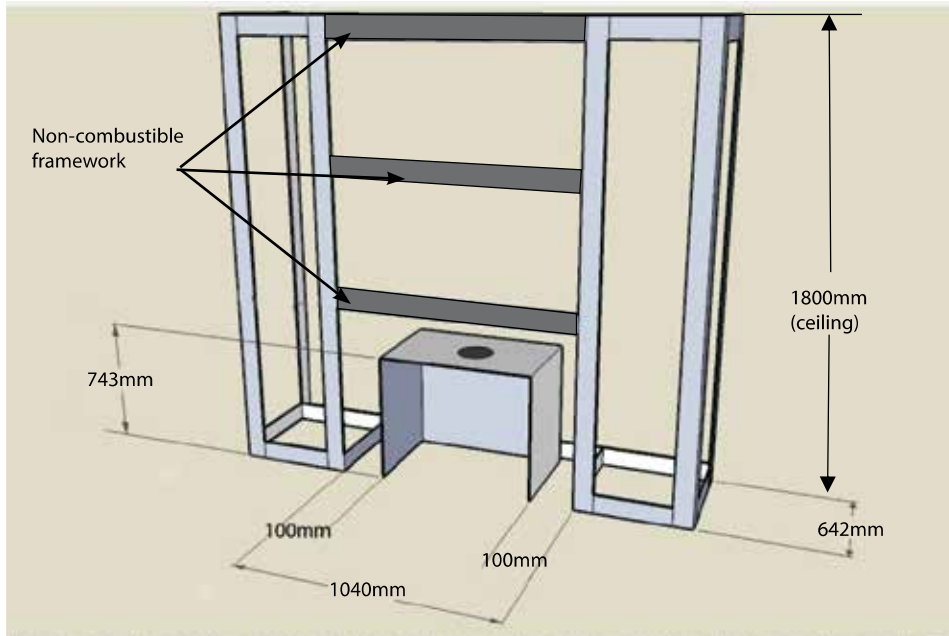


DIMENSIONS

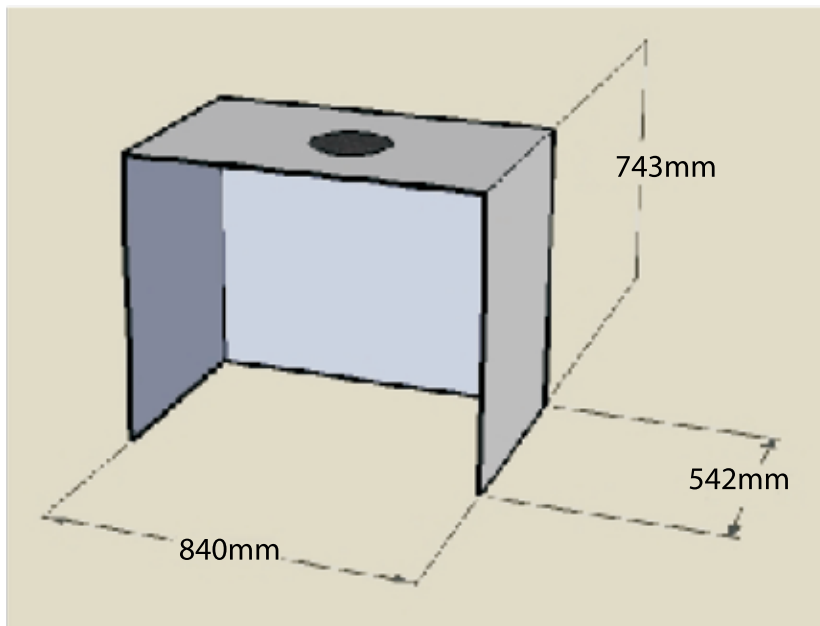


Zero Clearance Dimensions

Important: Non-combustible sheeting of a minimum thickness of 9mm must be used on the front face of the enclosure.



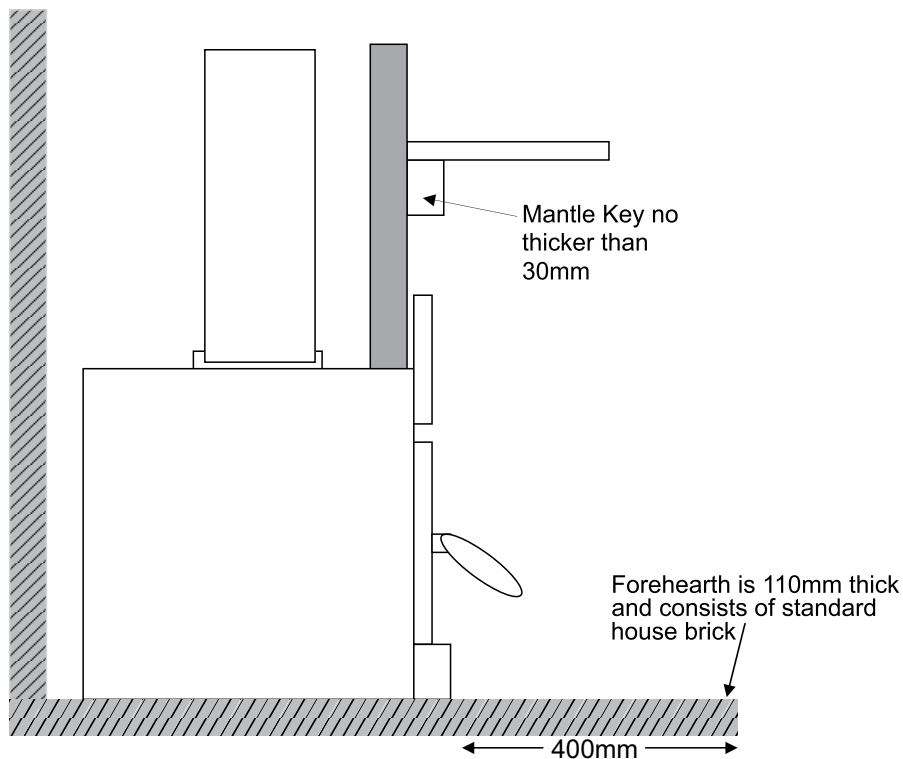
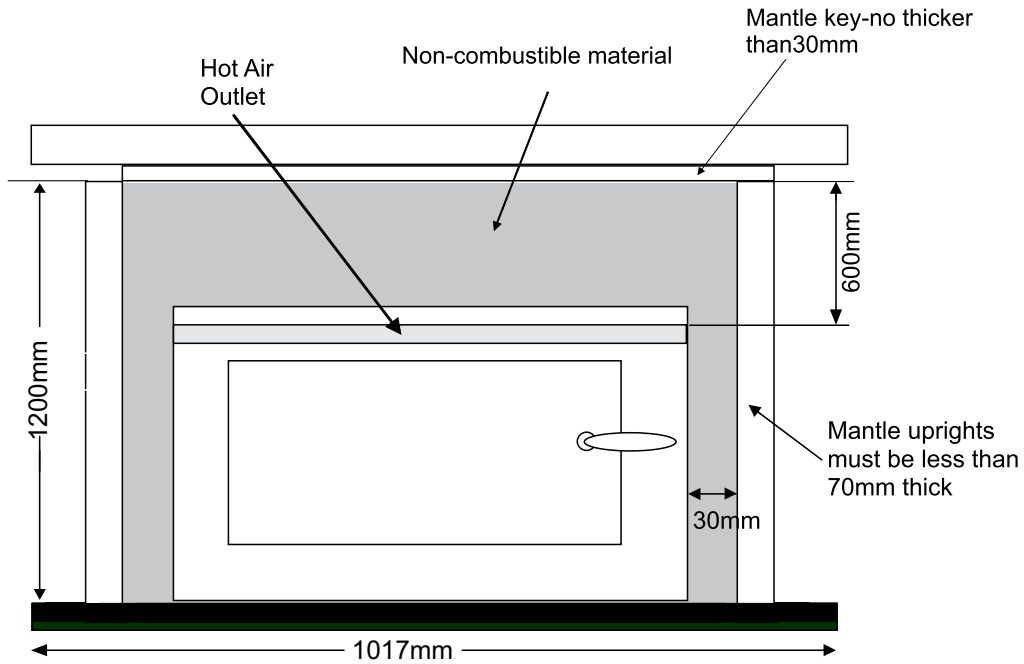
Zero Clearance Box Dimensions



Ceiling requires 100mm airgap where flue penetrates (minimum 450mm diameter cutout).

ALL FRAMING MATERIAL (WHERE SHADED) MUST BE NON-COMBUSTIBLE.

Fireplace Clearances



NOTE - If using 30mm cement sheet the hearth will need to extend to 820mm