

 REGENCY®

CITY SERIES

MODERN DESIGNER FIREPLACES WITH NO LIMITATIONS



regency-fire.com





modern fireplaces with no limitations

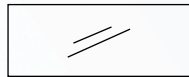
The Regency City Series of modern gas fireplaces offer unmatched design flexibility, quality, and contemporary styling. These stunning fireplaces create a unique focal point in your home and provide the calming ambiance of a large fire with just the push of a button.

Learn more here:





multiple configurations available



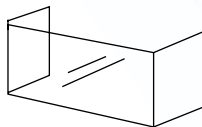
NEW YORK VIEW
Single Sided

A simple yet elegant statement that ties your living space together and elevates any wall with its seamless, linear look.



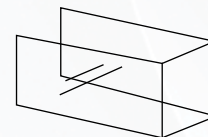
CHICAGO CORNER
Corner Left or Right

Provides design freedom due to its ability to act as a show stopping standalone or a flattering accent in any area.



SAN FRANCISCO BAY
Three Sided

Creates a focal point that sparks conversations and creates a comforting ambiance in your home.



SANTA MONICA PIER
Pier Left or Right

Allows you to enjoy dynamic views from all angles in your living space as you lounge in the warmth of vivid flames.



SEATTLE SEE-THROUGH
See-Through

Versatile architectural element allows you to enjoy a clear, frameless view of the fire from two rooms.





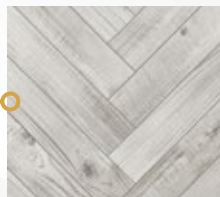
unlimited finishes - no limits. no restrictions.

Designed to maintain a cool wall to accommodate custom finishes right to the edge of your fireplace. Complete your fireplace look with:

- Wood
- Marble
- Glass
- Metal
- Tile
- Fabric
- Wallpaper
- Textured Panel
- Embossed Panel
- Faux Stone



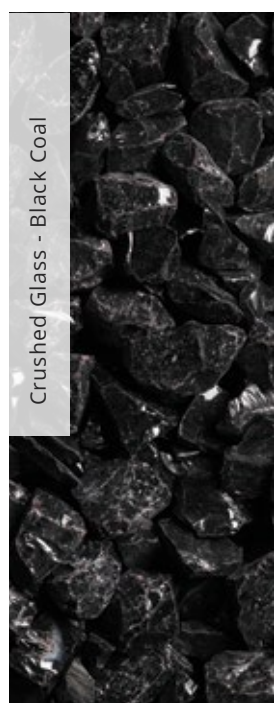
• 3D Wall Panel



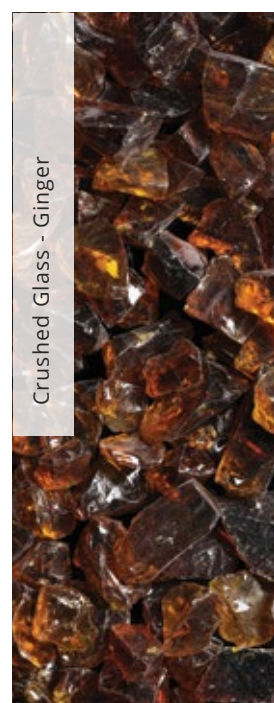
• Herringbone Wood Panel



Andiron Lava Embers - Black



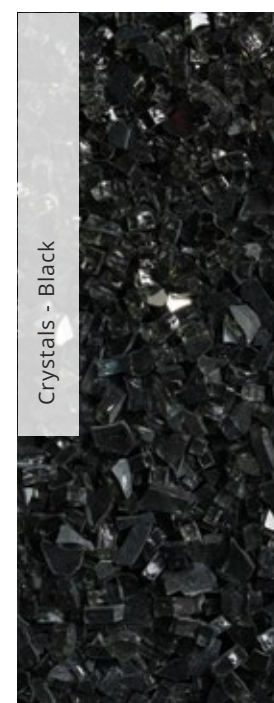
Crushed Glass - Black Coal



Crushed Glass - Ginger



Crushed Glass - Iceberg



Crystals - Black



Crystals - Copper

choose your look

Integrated accessories with warm realistic firebed. Relaxed, natural flames rise from a richly detailed bed of logs, stones, crystals, or crushed glass media options.



Driftwood Log Set



Birch Log Set



Split Oak Log Set

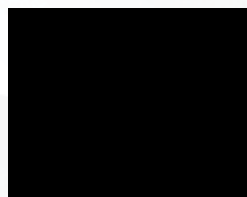


Volcanic Stones - Tan or Grey

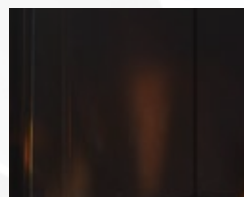


Crystals - Starfire

INTERIOR FIREBOX PANELS



Black Steel Interior Panels



Black Enamel Inner Reflective Panels



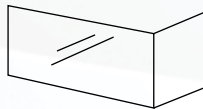
Black Glass Inner Reflective Panels

40

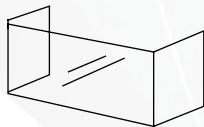
available as:



NEW YORK VIEW
Single Sided



CHICAGO CORNER
Corner Left or Right



SAN FRANCISCO BAY
Three Sided





San Francisco Bay 40 shown with black reflective crystals, birch log set and black glass inner reflective panels.

seamlessly integrates
into any interior





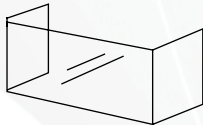
San Francisco Bay 40 shown with black reflective crystals, driftwood log set, black glass inner reflective panels.

50

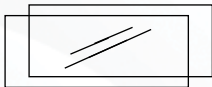
available as:



NEW YORK VIEW
Single Sided

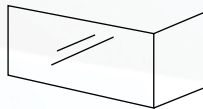


SAN FRANCISCO BAY
Three Sided

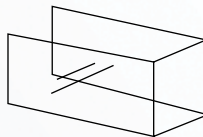


SEATTLE SEE-THROUGH
See-Through

COMING SOON



CHICAGO CORNER
Corner Left or Right



SANTA MONICA PIER
Pier Left or Right



COMING SOON





Chicago Corner Left 50 shown with black reflective crystals, volcanic stones in tan and black steel interior panels.

use any finish right
to the edge of the fire





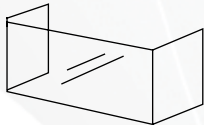
New York View 50 shown with black reflective crystals, driftwood log set and black glass inner reflective panels (side vents not shown).

60

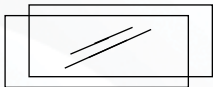
available as:



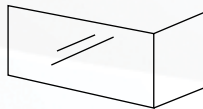
NEW YORK VIEW
Single Sided



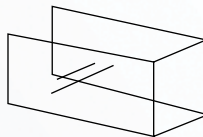
SAN FRANCISCO BAY
Three Sided



SEATTLE SEE-THROUGH
See-Through



CHICAGO CORNER
Corner Left or Right



SANTA MONICA PIER
Pier Left or Right





Seattle See-Through 60 shown with black reflective crystals, volcanic stones in tan and black enamel inner reflective panels.

unique frameless
modern focal point





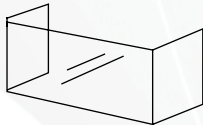
San Francisco Bay 60 shown with black reflective crystals, volcanic stones in grey and black glass inner reflective panels.

72

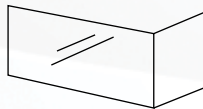
available as:



NEW YORK VIEW
Single Sided



SAN FRANCISCO BAY
Three Sided



CHICAGO CORNER
Corner Left or Right





New York View 72 shown with black reflective crystals, birch log set and black inner steel panels.

uninterrupted
view of the flames





San Francisco Bay 72 shown with black reflective crystals, volcanic stones in tan and black enamel inner steel panels.



extended view panels

Flush to wall extended view panels center the fire, enhance opulence, and create visual balance. Through this extension, these black glass reflective panels create a sleek look that is complimentary to various architectural elements.

- Create the illusion of a larger fireplace
- Establish balance on a multi-function fireplace feature wall
- Black glass reflective finish amplifies the flame experience
- Can be used on New York 40, 50, 60 & 72 models to extend the length by 24"

1



In this photo, the fireplace is overshadowed by a large television, creating a top heavy fireplace feature wall

2



In this photo, the fireplace achieves visual prominence and balance with the addition of black glass extended view panels

corner installation kit

The corner installation kit transforms a San Francisco Bay 50, 60 or 72 into a Chicago Corner creating a stunning large-faced corner unit unlike anything you have ever seen before.







controllable warmth

FLEXIBLE VENTING OPTIONS

Regency's patented cool wall system releases heat at ceiling level which helps evenly distribute the airflow throughout the living space. Through this natural convection of air, excessive radiant heat is reduced and you are able to enjoy the utmost comfort and lounge in the warmth of beautiful flames more often.

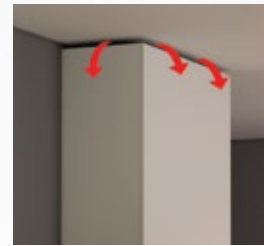
- Enjoy the flexibility to choose from 3 different chase vent solutions
- Release warmth into the room discreetly



Front



Side(s)



Top

APP CONTROL

Put the power of flame directly in your hand.

With the Proflame Connect Plus App, you can take control of your fireplace turning it on/off, adjusting the flame height, and temperature of your gas fireplace directly on your smartphone.

The optional Wi-Fi enabled module provides the ultimate fireplace control.



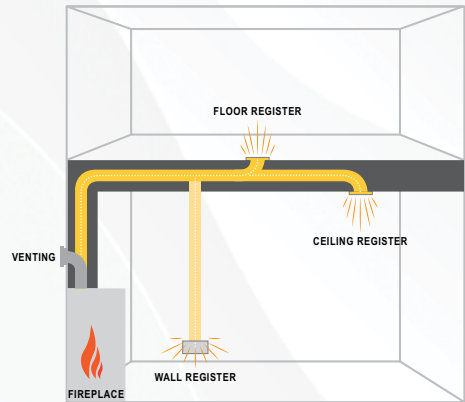


cool wall system

Our patented cool wall system helps maintain the perfect wall surface temperature around the fireplace. The floating glass safety barrier draws in the cool air which is split between the heat exchanger and the inside wall surface. Within the heat exchanger, the air is heated and then directed out the back of the fireplace.

heat distribution kit

Increase the effectiveness of your fireplace by dispersing warm air from the fireplace to remote locations in the same room or other rooms in your home by using the Heat Wave™ power duct system.



power vent systems

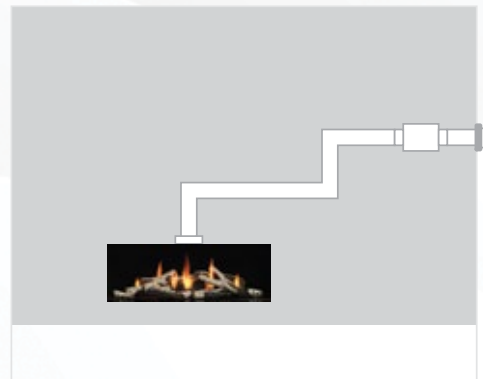
Regency's power vent systems have longer vertical and horizontal vents. Due to this functionality, designers and architects are able to build with freedom and flexibility to find the perfect space for your fireplace.

INLINE POWER VENT SYSTEM

- Allows for both vertical and horizontal termination (Horizontal terminations can use Regency's AstroCap)
- Vent runs up to 72 ft. (rigid pipe approved for up to 72 ft. & flex pipe approved for up to 40 ft.)
- Use up to six 90° elbows or twelve 45° elbows
- Use flex vent or rigid pipe
- Access panel required for servicing inline power vent



Inline Power Vent system shown vertical vent run



Inline Power Vent system shown horizontal vent run

FLUSH HORIZONTAL TERMINATION POWER VENT

- Horizontal power vent wall termination cap (End of line power vent only) can be installed flush or adjusted to the depth of your wall
- No access panel required for servicing, unless the cap is not accessible from the exterior of home
- Can be painted to match the exterior of outside wall
- Vent runs up to 72 ft. (rigid pipe approved for up to 72 ft. & flex pipe approved for up to 40 ft.)
- Allows for 6 ft. (72") of negative vent run below first elbow
- Use up to six 90° elbows or twelve 45° elbows
- Use flex vent or rigid pipe



End of line flush horizontal Power Vent system shown in a negative vent run



Horizontal Flush Power Vent Cap
(Used on End of line applications)



Horizontal Direct Vent Astro Cap
(Used on Inline power vent applications)



Inline Power Vent

create your own fireplace



COMPACT CHASE FRAMING KIT



EXTENDED CHASE FRAMING KIT



CORNER CHASE STARTER KIT

OPTIONAL FRAMING KITS

40" UNITS	WIDTH	DEPTH	HEIGHT (ADJUSTABLE)
Compact chase	48-7/16"	18-11/16"	80" - 10'
Extended chase	60-1/2"	18-11/16"	80" - 10'
Extended hearth	60-1/2"	24-7/16"	8-1/2" - 11-1/2"
Corner chase starter kit	49-3/4"	18"	62-7/8" Bottom of unit to top of framing kit

COMPACT CHASE STARTER KIT	50" UNITS	60" UNITS	72" UNITS
Width	60"	71-5/16"	82-7/8"
Depth	20-1/2"	20-3/8"	20-3/8"
Height	62" Bottom of unit to top of framing kit	78-1/2" Bottom of unit to top of framing kit	83-1/2" Bottom of unit to top of framing kit



Regency steel framing kit



commercial use

Our City Series line is popular among architects, builders, and designers as it is able to accommodate a versatile range of projects. Due to features such as our power venting system, these models are perfect for commercial and residential installations such as hotels, restaurants, and even condominiums.

Contact Regency to find out more about our designer friendly line that adds the perfect touch of modernism and elegance to any place.

accessories

ACCESSORIES - AT A GLANCE			CST60E	CP60E	CB40E	CB50E	CB60E	CB72EPV	CC40RE • CC40LE	CV40E	CV50E	CV60E	CV72E
Clean face design			✓	✓	✓	✓	✓	✓	✓	✓	✓	✓	✓
Interior options	Firebed	Crystals in various colors	★	★	★	★	★	★	★	★	★	★	★
		Firebeads in various colors	★	★	★	★	★	★	★	★	★	★	★
		Sea wool	✓	✓	✓	✓	✓	✓	✓	✓	✓	✓	✓
	For firebox floor	Crushed glass in various colors	★	★	★	★	★	★	★	★	★	★	★
		Ceramic spa stones	★	★	★	★	★	★	★	★	★	★	★
		Volcanic stones	★	★	★	★	★	★	★	★	★	★	★
		Natural river pebbles	★	★	★	★	★	★	★	★	★	★	★
	Log set	Lava embers	★	★	★	★	★	★	★	★	★	★	★
		Driftwood log set	★	★	★	★	★	★	★	★	★	★	★
		Split oak log set	★	★	★	•	★	★	★	★	★	★	★
	Inner panels	Birch log set	★	★	★	★	★	★	★	★	★	★	★
		Matte black	★	★	★	★	★	★	★	★	★	★	★
		Black enamel	★	★	★	★	★	★	★	★	★	★	★
		Black glass	★	★	★	★	★	★	★	★	★	★	★
	Glass safety barrier (patented)			✓	✓	✓	✓	✓	✓	✓	✓	✓	✓
3/4" faceplate			★	•	•	•	•	•	•	★	★	★	•
Extended view side panels			•	•	•	•	•	•	•	★	★	★	★
Corner installation kit			•	•	•	★	★	★	•	•	•	•	•
Framing kits	Compact chase		•	•	★	•	•	•	•	•	•	•	•
	Extended chase		•	•	★	•	•	•	•	•	•	•	•
	Extended hearth		•	•	★	•	•	•	•	•	•	•	•
	Starter kit		•	•	•	★	★	★	★	•	•	•	•
Hearth top - black glass			•	•	★	•	•	•	•	•	•	•	
TV wiring kit			★	★	★	★	★	★	★	★	★	★	★
Chase grills	Front chase grill		★	★	★	★	★	★	★	★	★	★	★
	Side chase grill 2pk		•	•	★	•	•	•	★	★	•	•	•
Accent lights			✓	✓	✓	✓	✓	✓	✓	✓	✓	✓	✓
Proflame II wall mount or handheld remote			✓	✓	✓	✓	✓	✓	✓	✓	✓	✓	✓
Venting	Direct vent		✓	✓	✓	✓	✓	•	✓	✓	✓	✓	✓
	Power vent		✓	✓	✓	✓	✓	✓	✓	✓	✓	✓	✓
	AstroCap® venting system		★	★	★	★	★	★	★	★	★	★	★
	Heat Wave™ power duct system		★	★	★	★	★	★	★	★	★	★	★
	Heat Wave™ adapter		★	★	★	★	★	★	★	★	★	★	•
Wifi module for app control			★	★	★	★	★	★	★	★	★	★	★
Propane conversion kit			★	★	★	★	★	★	★	★	★	★	★

- Not available
- ✓ Standard
- ★ Optional

REMOTE



Proflame II Wall Mount or Handheld

specifications

► Natural Gas

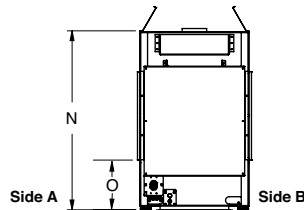
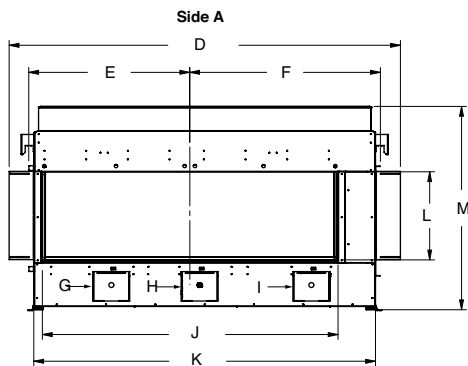
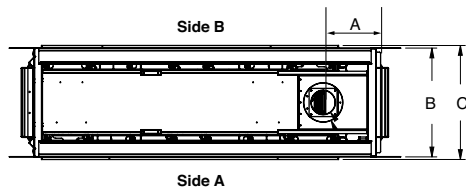
SPECIFICATIONS - NATURAL GAS		INPUT (BTU)	TURN DOWN TO (BTU)	EFFICIENCY (STEADY STATE)	ENERGUIDE RATING (CANADA ONLY)
Seattle See-Through	CST60E	39,000	21,000	64.04%	60.21%
Santa Monica Pier	CP60E	39,000	21,000	64.04%	60.21%
San Francisco Bay	CB40E	28,500	15,500	60.02%	55.23%
	CB50E	35,000	19,000	62.39%	57.49%
	CB60E	39,000	21,000	60.86%	56.23%
	CB72EPV	46,500	32,000	61.65%	63.39%
Chicago Corner	CC40RE • CC40LE	28,500	15,500	60.02%	55.23%
New York View	CV40E	28,500	15,500	60.02%	55.23%
	CV50E	35,000	19,000	62.39%	57.49%
	CV60E	39,000	21,000	55.44%	51.22%
	CV72E	46,500	32,000	63.06%	57.81%

► Propane

SPECIFICATIONS - PROPANE		INPUT (BTU)	TURN DOWN TO (BTU)	EFFICIENCY (STEADY STATE)	ENERGUIDE RATING (CANADA ONLY)
Seattle See-Through	CST60E	36,000	19,500	65.61%	62.48%
Santa Monica Pier	CP60E	36,000	19,500	65.61%	62.48%
San Francisco Bay	CB40E	28,500	15,500	60.70%	56.06%
	CB50E	33,000	17,000	64.30%	60.55%
	CB60E	36,000	19,500	61.77%	56.43%
	CB72EPV	45,500	36,000	64.20%	65.52%
Chicago Corner	CC40RE • CC40LE	28,500	15,500	60.70%	56.06%
New York View	CV40E	28,500	15,500	60.70%	56.06%
	CV50E	33,000	17,000	64.30%	60.55%
	CV60E	36,000	19,500	55.67%	51.96%
	CV72E	45,500	36,000	63.83%	60.61%

specifications

Seattle See-Through unit :

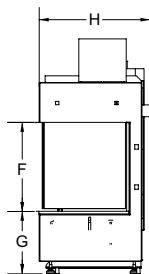
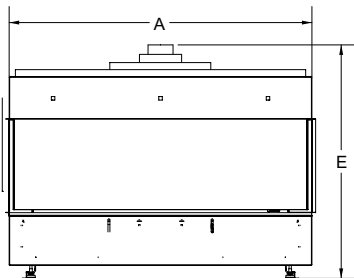
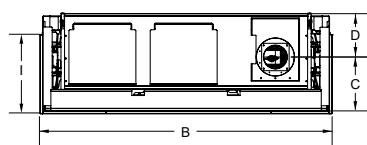
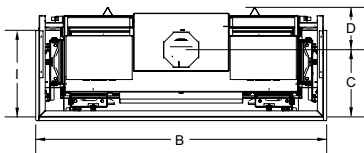


	CST60E
A	12-11/16"
B	22-3/16"
C	23-1/4"
D	79-1/13"
E	32-13/16"
F	38-7/8"
G, H, I	n/a
J	60-5/16"
K	69-11/16"
L	18"
M	41-1/2"
N	36-1/2"
O	10-1/8"

NOTE: CST60E: This model comes with a 5" inner and 8" outer collar when venting this as a direct vent. When installed as a power vent, The vent must be reduced to 4" x 6-5/8" in all applications.

San Francisco Bay units :

CB50E - flue on the side



NOTE: CB50E flue is on the side

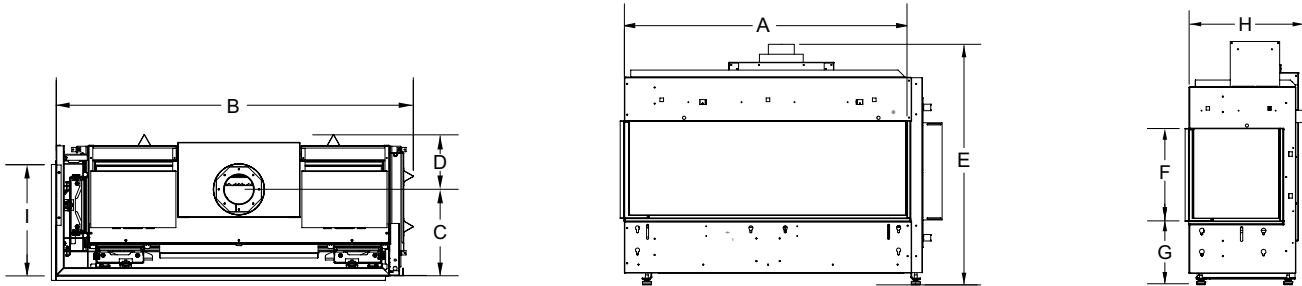
	CB40E	CB50E	CB60E	CB72EPV
A	48-7/16"	60"	71-1/4"	82-11/16"
B	49-5/8"	61-1/16"	72-5/16"	83-7/8"
C	11-7/16"	11-5/16"	13"	13"
D	7-1/4"	9-1/8"	7-1/4"	7-3/8"
E	37-3/8"	37"	39-1/4"	46-1/4"
F	15-1/16"	18"	18"	15-1/16"
G	10-1/2"	10-13/16"	10-1/4"	10-1/4"
H	18-11/16"	20-7/16"	20-5/16"	20-3/8"
I	14-11/16"	18"	16"	17"

NOTE : CB50E, CB60E, CB72EPV : This model comes with a 5" inner and 8" outer collar which must be reduced to 4" x 6-5/8" in all applications when installed as a power vent. See manual for details.

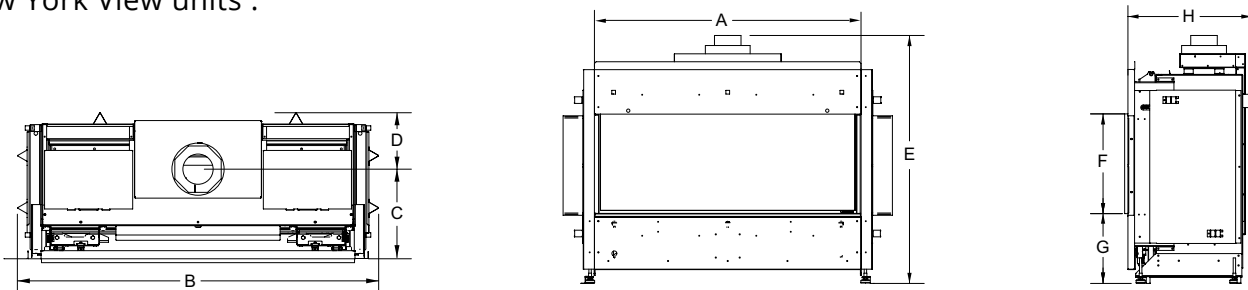
UNITS	VENTING
CB40E	4" x 6-5/8"
CB50E, CB60E, CB72EPV	5" x 8"

specifications

Chicago Corner units :

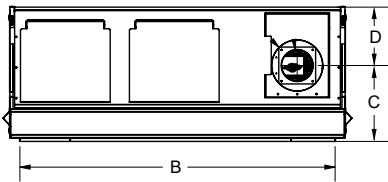


New York View units :



NOTE: CV50E flue is on the side

CV50E - flue on the side



	CC40RE • CC40LE	CV40E	CV50E	CV60E	CV72E
A	43-5/8"	40"	54-3/8"	60-7/16"	72-1/8"
B	47-3/8"	46-1/4"	49-3/16"	65-11/16"	77-7/16"
C	11-7/16"	11-7/16"	11-7/8"	13-9/16"	13"
D	7-1/4"	7-1/4"	9-1/8"	7-1/4"	7-3/8"
E	37-3/8"	37-3/8"	37"	39-5/16"	46"
F	15-1/16"	15-1/16"	18"	16"	15-1/16"
G	10-1/2"	10-1/2"	10-3/16"	10-1/4"	10-1/4"
H	18-11/16"	18-11/16"	20-7/16"	20-5/16"	20-3/8"
I	14-11/16"	--	18"	16"	--

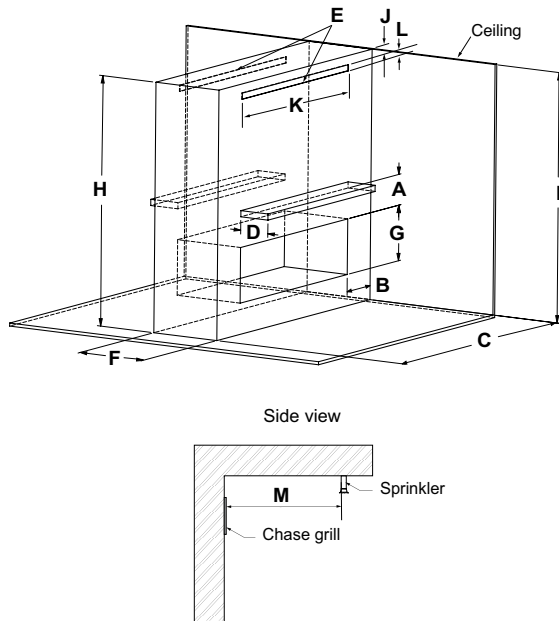
UNITS	VENTING
CC40RE, CC40LE	4" x 6-5/8"
CV40E	4" x 6-5/8"
CV50E, CB50E, CV60E, CB60E, CST60E, CP60E, CV72E	5" x 8"

NOTE : CV50E, CB50E, CV60E, CB60E, CST60E, CP60E & CV72E : These models come with a 5" inner and 8" outer collar which must be reduced to 4" x 6-5/8" in all applications when installed as a power vent. See manual for details.

specifications

Seattle See-Through unit :

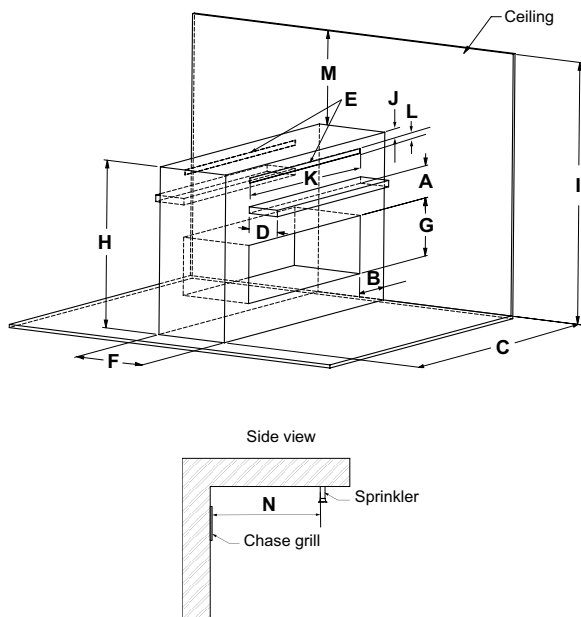
Flush installation is when the chase enclosure height is at a minimum of 81-1/4" or greater. This would be a typical installation, with walls placed between two rooms to divide them.



CLEARANCES - FLUSH INSTALLATION		CST60E
A	Mantel Height (min.)	**
B	Sidewall (on one side)	8"
C	Enclosure Width (min.)	71-3/4"
D	Mantel Depth (max.)	**
E	Convection Air Outlet	120 sq. in.*
F	Framing Depth (min.)	22-1/4"
G	Opening Height	18"
H	Chase Enclosure (min.)	81-1/4"
I	Ceiling Height (min.)	81-1/4"
J	Convection Air Outlet Opening Offset (max.)	2"
K	Convection Air Outlet Opening Width (min.)	10"
L	Convection Air Outlet Opening Height (min.)	1-1/2"
M	Clearance to Sprinkler Head (min.)	36"

Ventilation Opening requirements: *A minimum of 120 sq. in. of open area, not lower than 0 - 2" from top of enclosure, is required for all installations.
** See mantel clearances chart in the manual.

Bench installation is when the chase enclosure height is at a minimum of 52" to a maximum of 81-1/4". If the bench installation is completed at the minimum height, a shelf, countertop, or other finish can be installed.



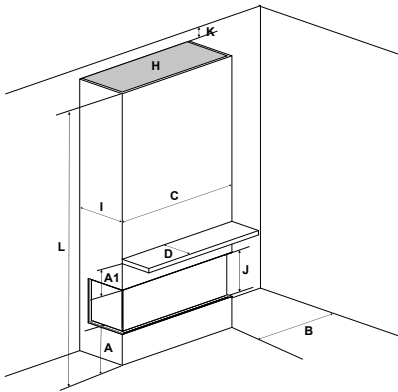
CLEARANCES - BENCH INSTALLATION		CST60E
A	Mantel Height (min.)	**
B	Sidewall (on one side)	8"
C	Enclosure Width (min.)	71-3/4"
D	Mantel Depth (max.)	**
E	Convection Air Outlet	180 sq. in.*
F	Framing Depth (min.)	22-1/4"
G	Opening Height	18"
H	Chase Enclosure (min.)	52" to 81-1/4" max.
I	Ceiling Height (min.)	81-1/4"
J	Convection Air Outlet Opening Offset (max.)	2"
K	Convection Air Outlet Opening Width (min.)	10"
L	Convection Air Outlet Opening Height (min.)	1-1/2"
M	Ceiling Clearance (min.)	3"
N	Clearance to Sprinkler Head (min.)	36"

Ventilation Opening requirements: *A minimum of 180 sq. in. of open area, not lower than 0 - 2" from top of enclosure, is required for all installations.
** See mantel clearances chart in the manual. For clearances greater than 81-1/4", see flush installation clearances in this manual. The size of the ventilation opening is reduced from 180 sq. in. to 120 sq. in.

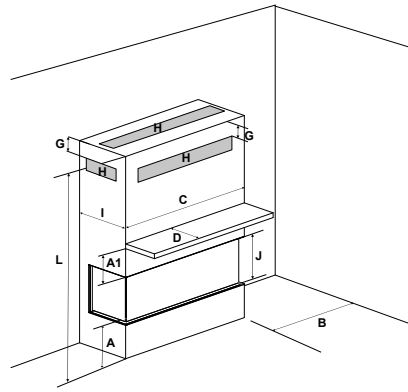
NOTE: Refer to manual for more flush and bench installation examples.

specifications

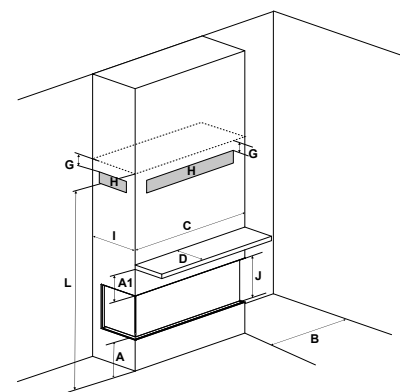
San Francisco Bay units :



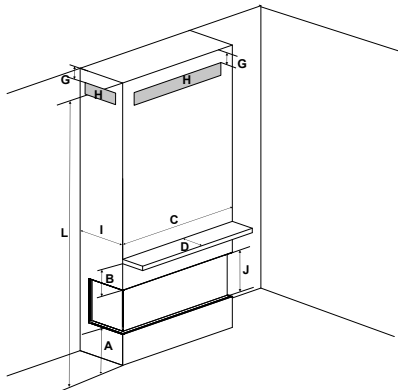
Floor to ceiling with top opening



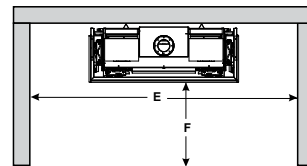
Low framing with vents in front/sides or top



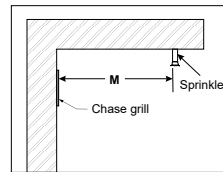
Full framing with low vents in front or sides



Full framing with vents in front or sides



Alcove



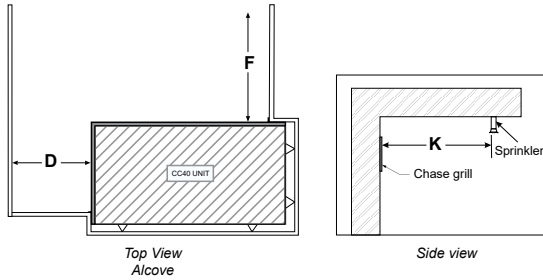
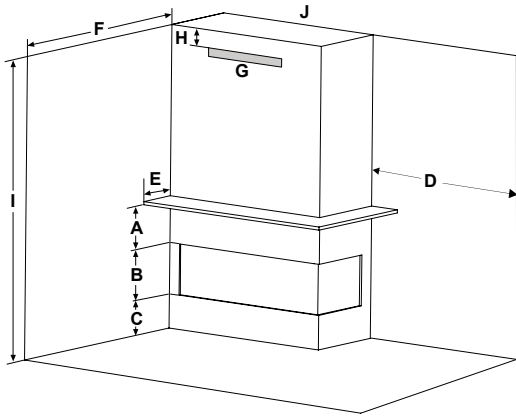
Side view

CLEARANCES		CB40E	CB50E	CB60E	CB72EPV
A	From Floor	Min. 0"	Min. 0"	Min. 0"	Min. 0"
A1	Mantel Height (min.)	**	**	**	**
B	Sidewall (on one side)	8-1/2"	5"	5-7/8"	8"
C	Enclosure Width (min.)	48-7/16"	60"	71-1/4"	82-11/16"
D	Mantel Depth (max.)	**	**	**	**
E	Alcove Width	84"	92"	119-1/2"	120"
F	Alcove Depth	36"	35"	35"	36"
G	To Enclosure Ceiling (min./max.)	0 - 3"	0 - 2"	0 - 2"	0 - 2"
H	Convection Air Outlet	120 sq. in.	152 sq. in.	180 sq. in.	288 sq. in.
I	Enclosure Depth (min.)	19"	20-7/16"	20-5/16"	20-3/8"
J	Opening Height	15-1/16"	18"	18"	15-1/16"
K	To Ceiling (min.) - All 3 sides	1-1/2"	1-3/4"	1-3/4"	2-1/2"
L	Chase Enclosure (min.)	63"	62-7/8"	81-1/4"	87"
M	Clearance to Sprinkler Head (min.)	36"	36"	36"	36"

** See mantel clearances chart in the manual.

specifications

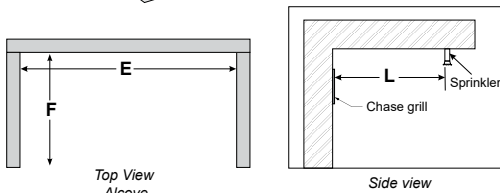
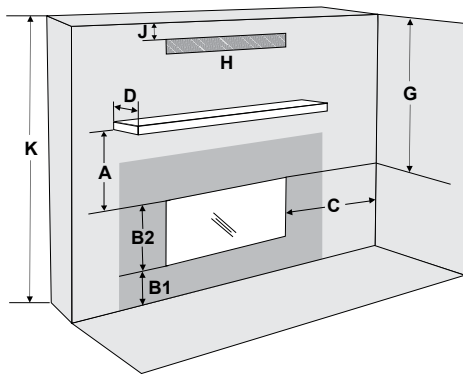
Chicago Corner units :



CLEARANCES		CC40RE • CC40LE
A	Mantel Height (min.)	**
B	Opening Height	15-1/16"
C	From Floor	Min. 0"
D	Sidewall (on one side)	Min. 36"
E	Mantel Depth (max.)	**
F	Alcove Depth	Min. 36"
G	Convection Air Outlet	120 sq. in.
H	Convection Air Outlet Opening Offset	0 - 3"
I	Chase Enclosure (min.)	63"
K	Clearance to Sprinkler Head (min.)	36"

** See mantel clearances chart in the manual.

New York View units :

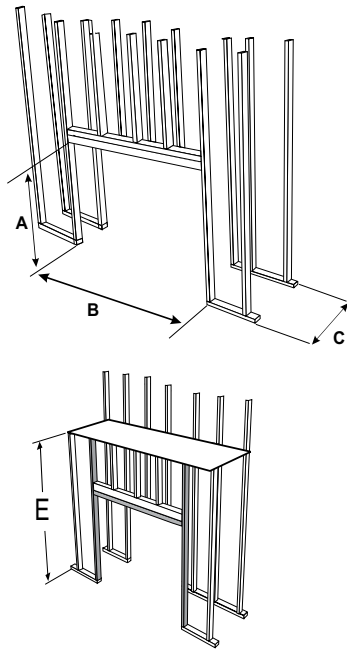


CLEARANCES	CV40E	CV50E	CV60E	CV72E	
A	Mantel Height (min.)	**	**	**	**
B1	From Floor	Min. 0"	Min. 0"	Min. 0"	Min. 0"
B2	Opening Height	15-1/16"	18"	18"	15-1/2"
C	Sidewall (on one side)	8-1/2"	5"	8"	8"
D	Mantel Depth (max.)	**	**	**	**
E	Alcove Width	84"	92"	109-1/2"	88"
F	Alcove Depth	36"	35"	35"	36"
G	Ceiling (in front of fireplace)	38-15/16"	38-15/16"	53"	61-3/4"
H	Convection Air Outlet	120 sq. in.	152 sq. in.	180 sq. in.	288 sq. in.
J	Convection Air Outlet Opening Offset	0 - 3"	0 - 2"	0 - 2"	0 - 2"
K	Chase Enclosure (min.)	63"	62-7/8"	81-1/4"	87"
L	Clearance to Sprinkler Head (min.)	36"	36"	36"	36"

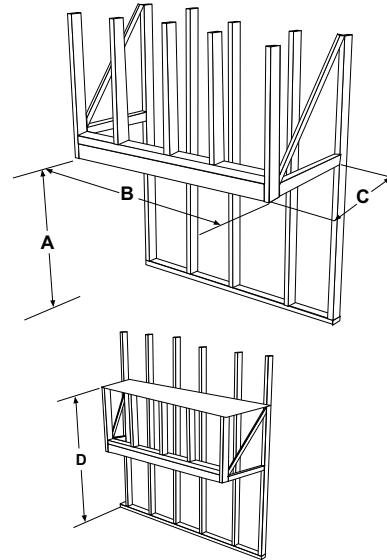
** See mantel clearances chart in the manual.

framing

Seattle See-Through unit :



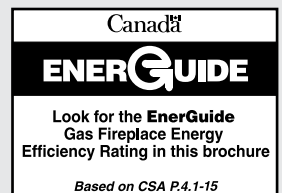
San Francisco Bay units :



FRAMING	CST60E	CB40E	CB50E	CB60E	CB72EPV
A Framing Height	For 2" x 4": 45-1/8" For 2" x 6": 52"	37-3/8"	For 2" x 4: 44-3/4" For 2" x 6: 51-7/8"	44-3/4"	51"
B Framing Width	71-3/4"	48-1/2"	60"	71-1/4"	82-11/16"
C Framing Depth	22-1/4"	19"	20-7/16"	20-5/16"	20-5/8"
D Minimum Height to Combustibles	Bench: 52" Flush: 81-1/4"	63"	62-7/8"	81-1/4"	87"

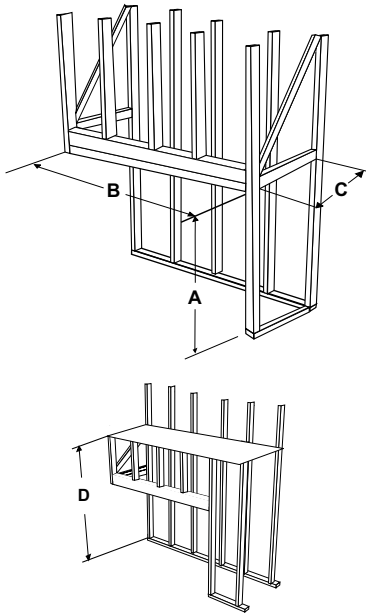
Visit www.regency-fire.com/cityseries for City Series downloads including:

- Specifications
- Detailed drawings
- Manuals
- Framing & clearances

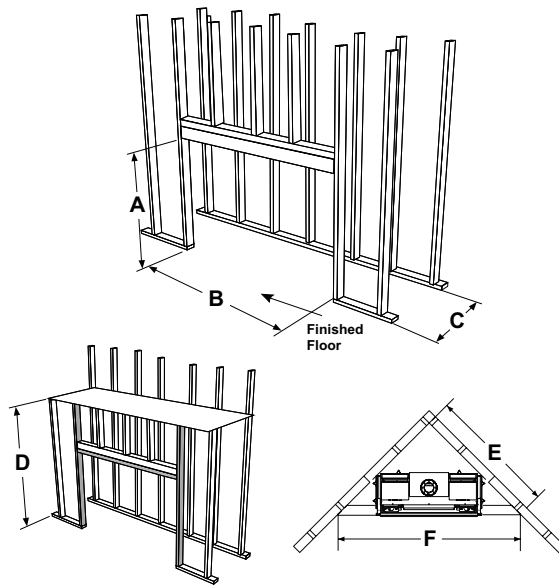


framing

Chicago Corner units :



New York View units :



FRAMING	CC40RE • CC40LE	CV40E	CV50E	CV60E	CV72E
A Framing Height	37-3/8"	37-3/8"	For 2" x 4: 44-3/4" For 2" x 6: 51-7/8"	44-3/4"	51"
B Framing Width	48-1/4"	46-3/4"	54-3/8"	65-11/16"	78"
C Framing Depth	19"	19"	20-7/16"	20-5/16"	20-5/8"
D Minimum Height to Combustibles	63"	63"	62-7/8"	81-1/4"	87"
E Corner Wall Depth	-	55"	66"	73-7/16"	82-1/8"
F Corner Facing Wall Width	-	77-3/4"	93-3/8"	103-7/8"	116-3/16"

experience the luxury
& true frameless fire



regency-fire.com/cityseries

©2023 FPI Fireplace Products International Ltd. Regency®, AstroCap® and Heat Wave™ are registered or proprietary trademarks of FPI Fireplace Products International Ltd. All rights reserved. Printed in Canada (08/23)
Part No. 944-427