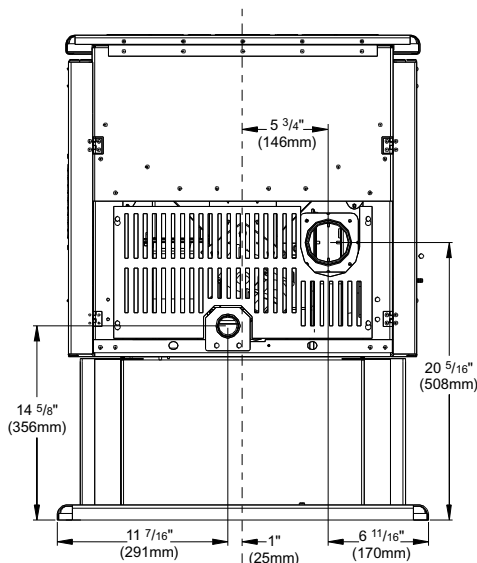
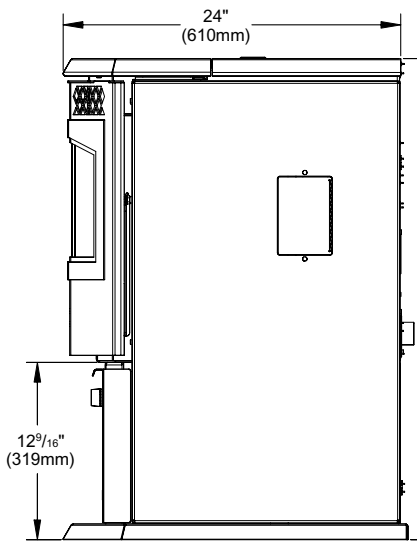
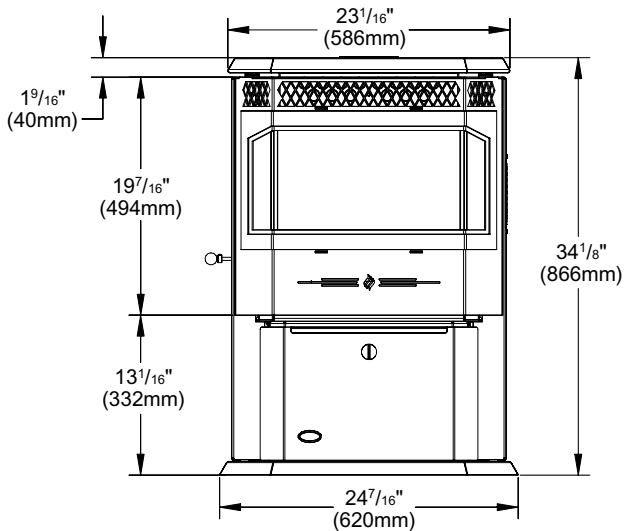


## GF55 Greenfire Pellet Stove



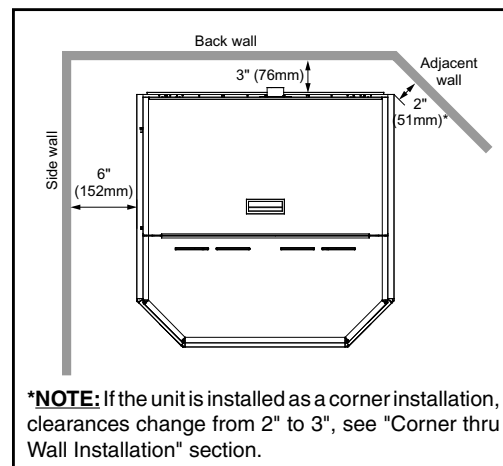
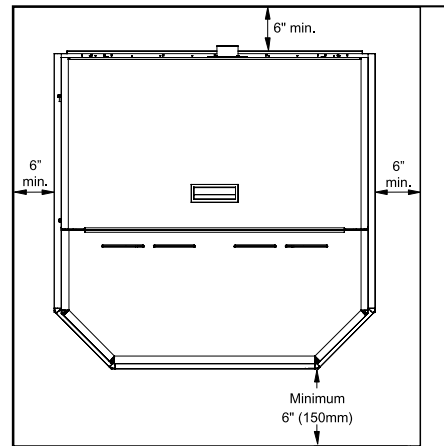
### CLEARANCES TO COMBUSTIBLES

These dimensions are minimum clearances to combustibles, however it is highly recommended that you leave sufficient room on each side (20" where possible) for servicing, routine cleaning and maintenance.

This pellet stove requires floor protection. The floor protection must be non-combustible, extending 6" (150mm) beyond the full width and depth of the unit including 6" (150mm) in front for ember protection.

#### Floor Protection:

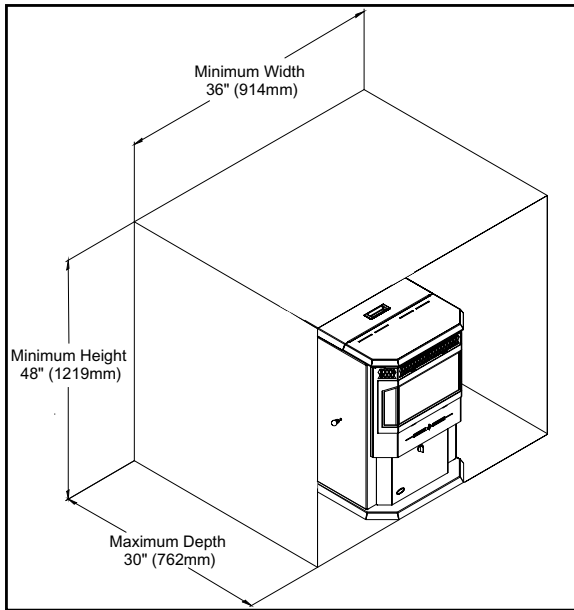
Width 36-7/16" (934mm)  
Depth 36" (914mm)



**\*NOTE:** If the unit is installed as a corner installation, clearances change from 2" to 3", see "Corner thru Wall Installation" section.

GF55 Wood Pellet Stove

## ALCOVE CLEARANCES



## MOBILE HOME INSTALLATION

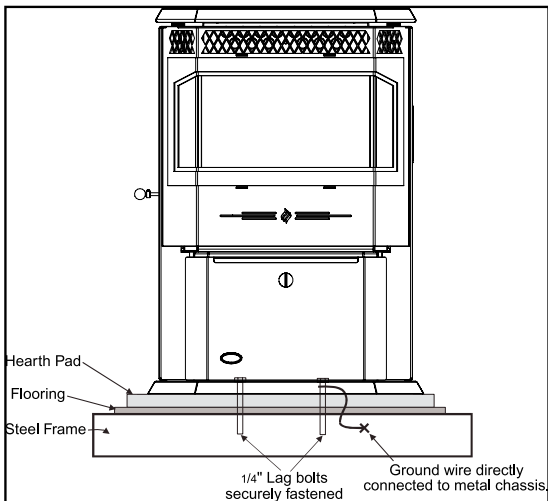
Secure the heater to the floor using the holes in the pedestal of the appliance.

Ensure the unit is electrically grounded to the chassis of your home (permanently).

**WARNING:** Do not install in a room people sleep in.

**CAUTION:** The structural integrity of the manufactured home floor, wall and ceiling/roof must be maintained

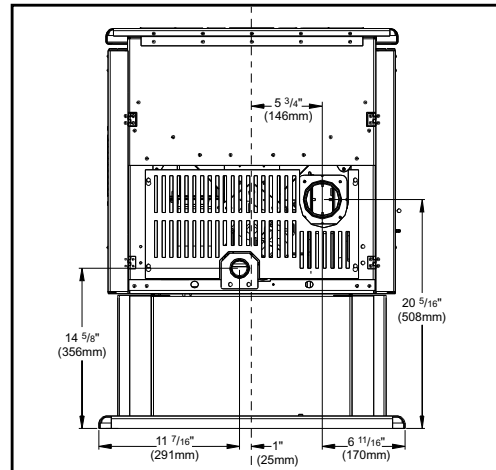
- Outside fresh air is mandatory. Secure outside air connections directly to fresh air intake pipe and secure with three (3) screws evenly spaced.



## EXHAUST AND FRESH AIR INTAKE LOCATION

EXHAUST:	
Base of unit to center of flue	20-5/16" (508mm)
Side of unit to center of flue	6-11/16" (170mm)
Center of unit to center of flue	5-3/4" (146mm)
FRESH AIR INTAKE:	
Base of unit to center of intake	14-5/8" (356mm)
Side of unit to center of intake	11-7/16" (291mm)
Center of unit to center of intake	1" (25mm)

INSTALL VENT AT CLEARANCES SPECIFIED BY THE VENTING MANUFACTURER.



## OUTSIDE FRESH AIR CONNECTION

Outside fresh air is mandatory when installing this unit in airtight homes and mobile homes.

**A Fresh-air intake is strongly recommended for all installations.** Failure to install intake air may result in improper combustion as well as the unit smoking during power failures.

When connecting to an outside fresh air source, do not use plastic or combustible pipe. A 2" minimum (51 mm) ID (inside diameter) steel, aluminum or copper pipe should be used. It is recommended, when you are installing a fresh air system, to keep the number of bends in the pipe to a minimum.

