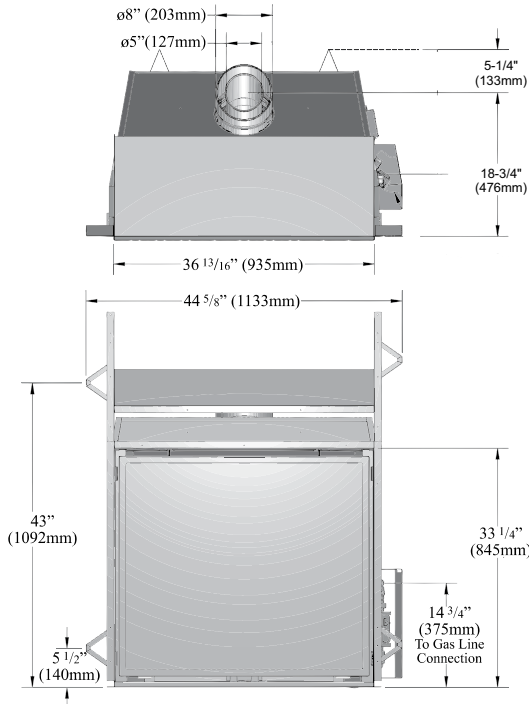
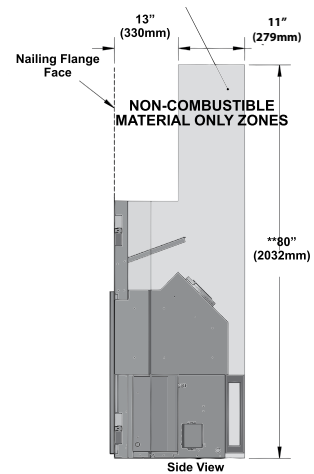
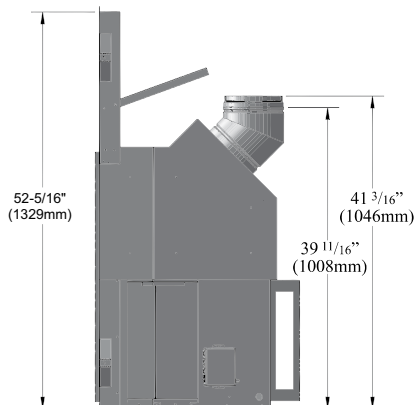
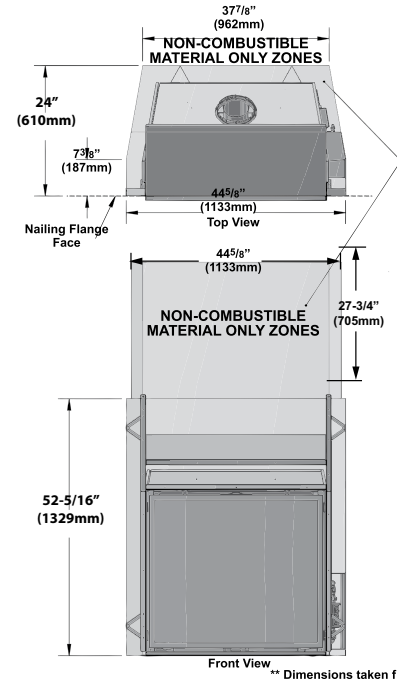


## L965E-10 Gas Fireplace

Model	L965E-NG10	L965E-LP10
Fuel Type	Natural Gas	Propane
Minimum Supply Pressure	5" W.C. (1.25 kPa)	12" W.C. (2.98 kPa)
Manifold Pressure - High	3.5" W.C. (0.87 kPa)	10" W.C. (2.48 kPa)
Manifold Pressure - Low	1.6" W.C. (0.41 kPa)	6.4" W.C. (1.59 kPa)
Orifice Size -Altitude 0-4500 ft.	#45 DMS - Left	#55 DMS - Left
	#41 DMS - Right	#53 DMS - Right
Minimum Input Altitude 0-4500 ft. (0-1372m)	16,000 BTU/h (4.68 kW)	17,000 BTU/h (4.98 kW)
Maximum Input Altitude 0-4500 ft. (0-1372m)	48,000 BTU/h (14.07 kW)	48,000 BTU/h (14.07 kW)
Vent Sizing	5" x 8"	5" x 8"

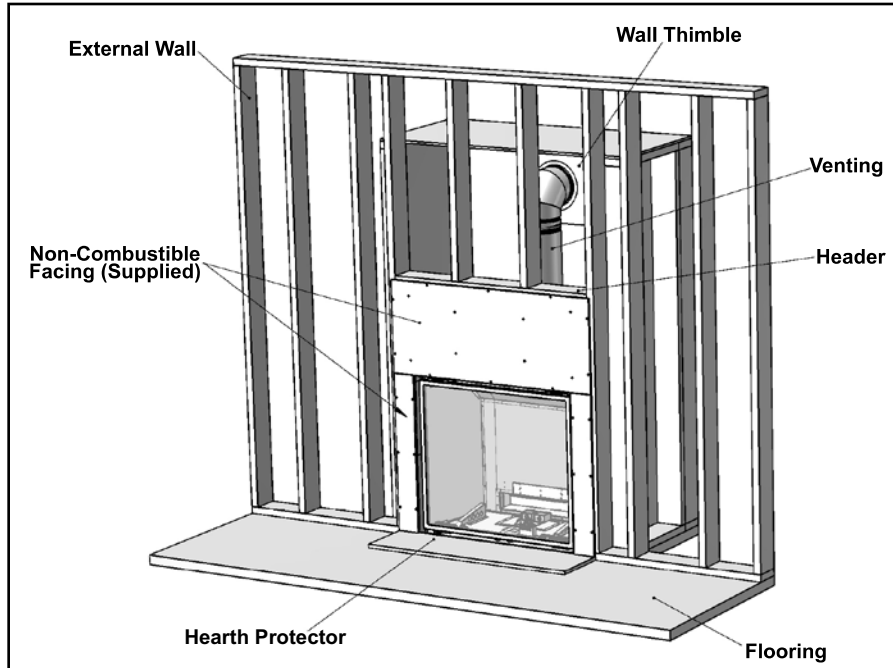


### NON-COMBUSTIBLE MATERIAL ZONE:



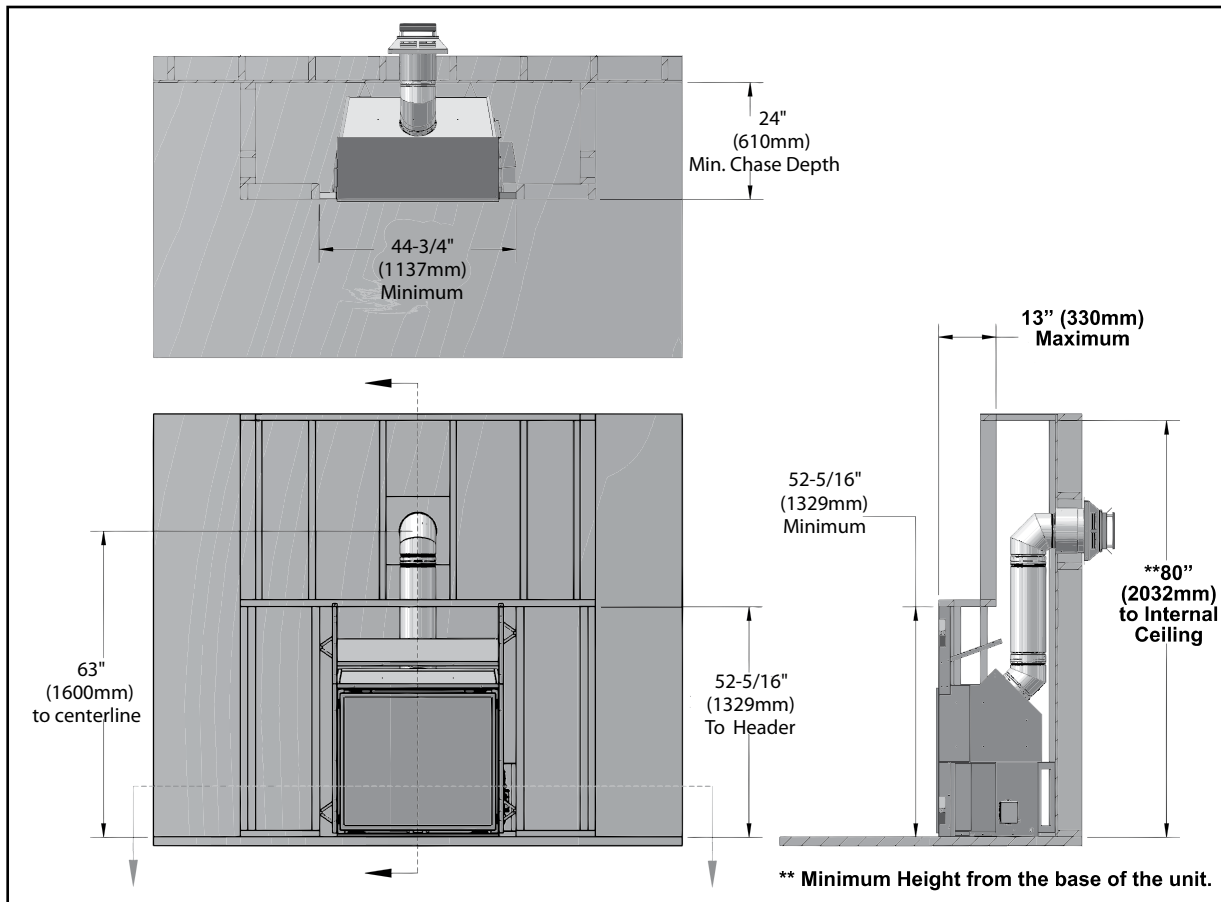
L965E-10 Gas Fireplace

**FRAMING:**



**Figure 5. Typical Framing for Internal Chase - General.**

**INTERNAL CHASE:**



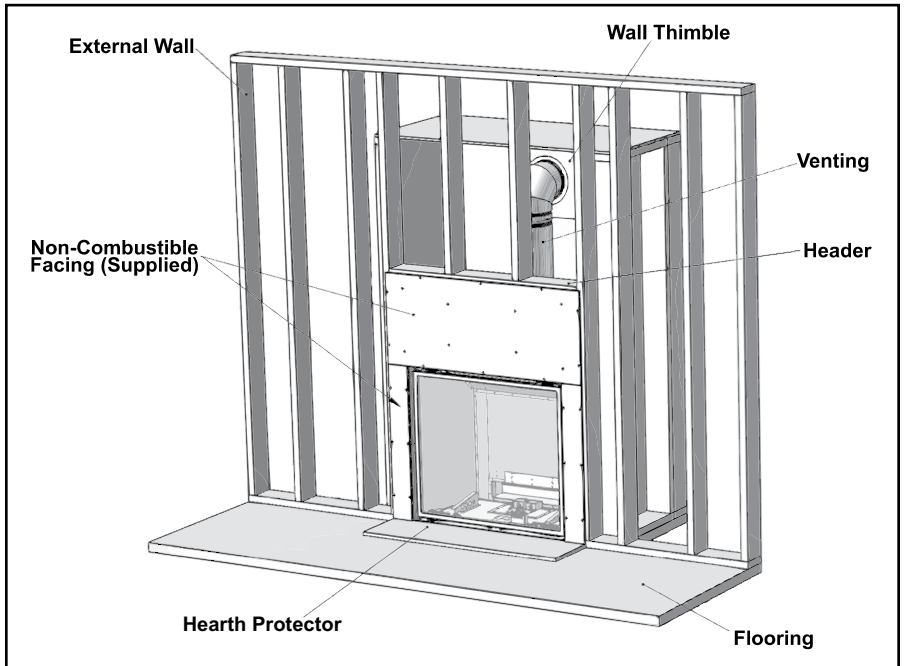
## EXTERNAL CHASE:

**Non-Combustible Facing and Hearth Protector Dimensions:**

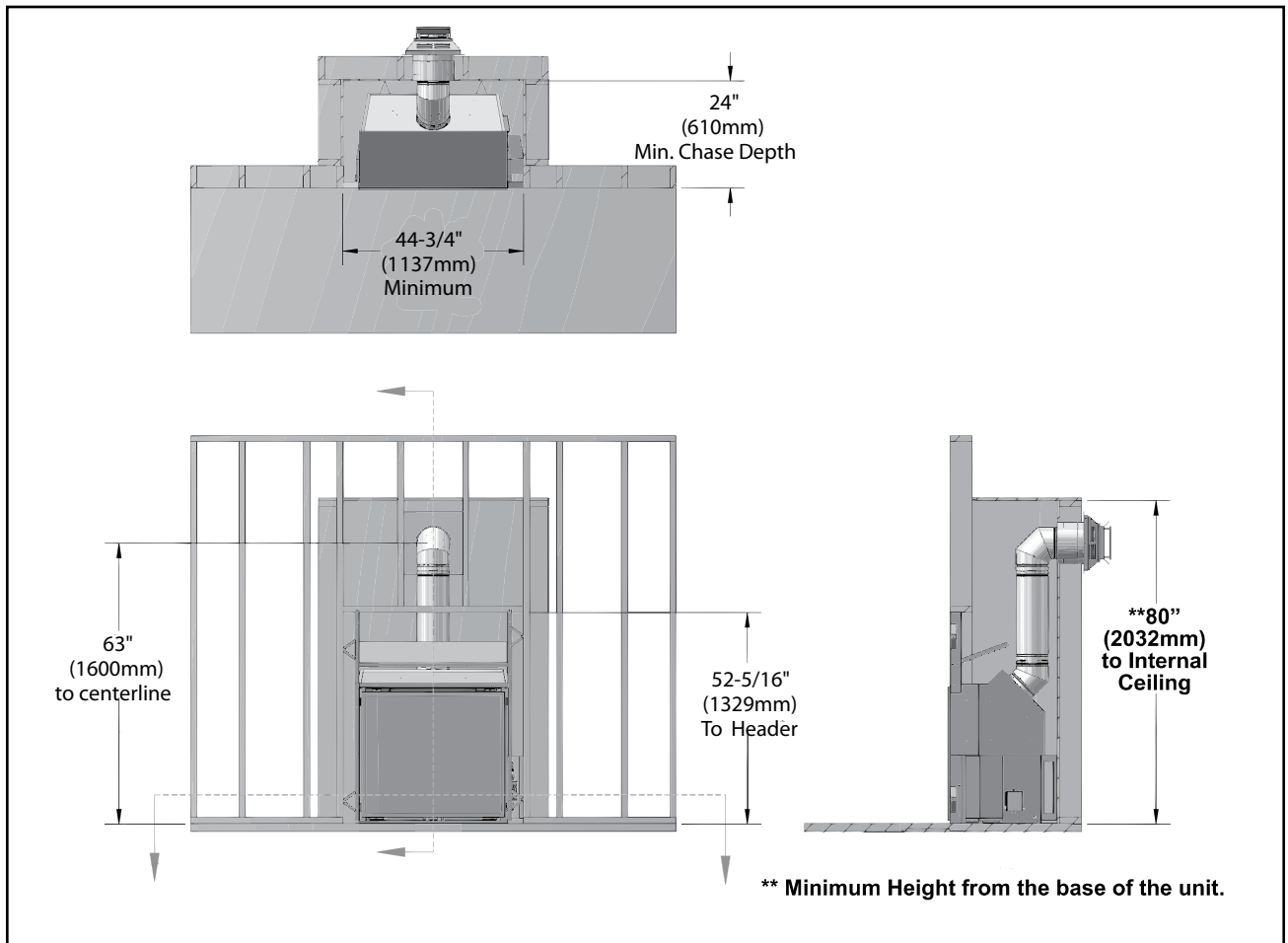
**Facing (supplied)**  
 1 Top = 46" x 19"  
 2 Sides = 32-15/16 x 4-9/16"

**Hearth Protector (supplied)**  
 46" x 12"

**NOTE:** No hearth is required if the unit is raised a minimum of 18" off the floor.



**Figure 7. Typical Framing for External Chase - General.**



**Figure 8. Typical Framing for External Chase - Detailed.**

L965E-10 Gas Fireplace

## FRAMING FOR SIDEWALLS AND MANTEL:

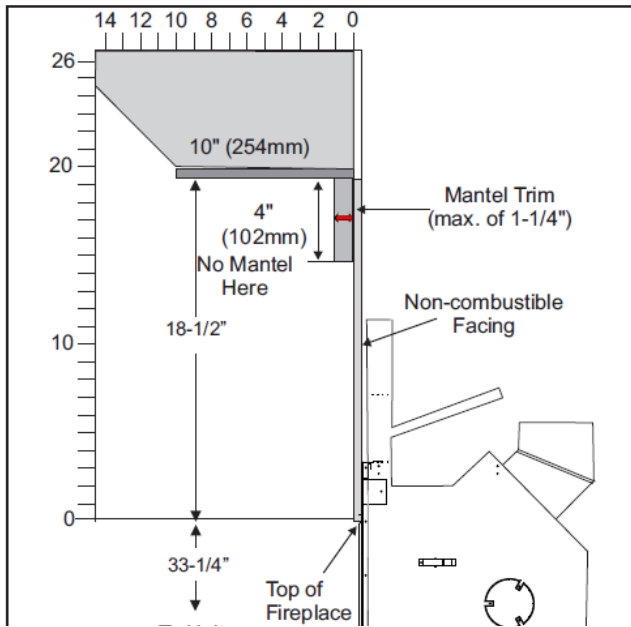
The mantel's maximum overhang is 10" (254mm) at the minimum height of 52 1/4" (1327mm) measured from the base of the fireplace.

The mantel can extend 1" (25.4mm) further for every 1" (25.4mm) of height it is installed over the minimum height, as shown in Figure 12.

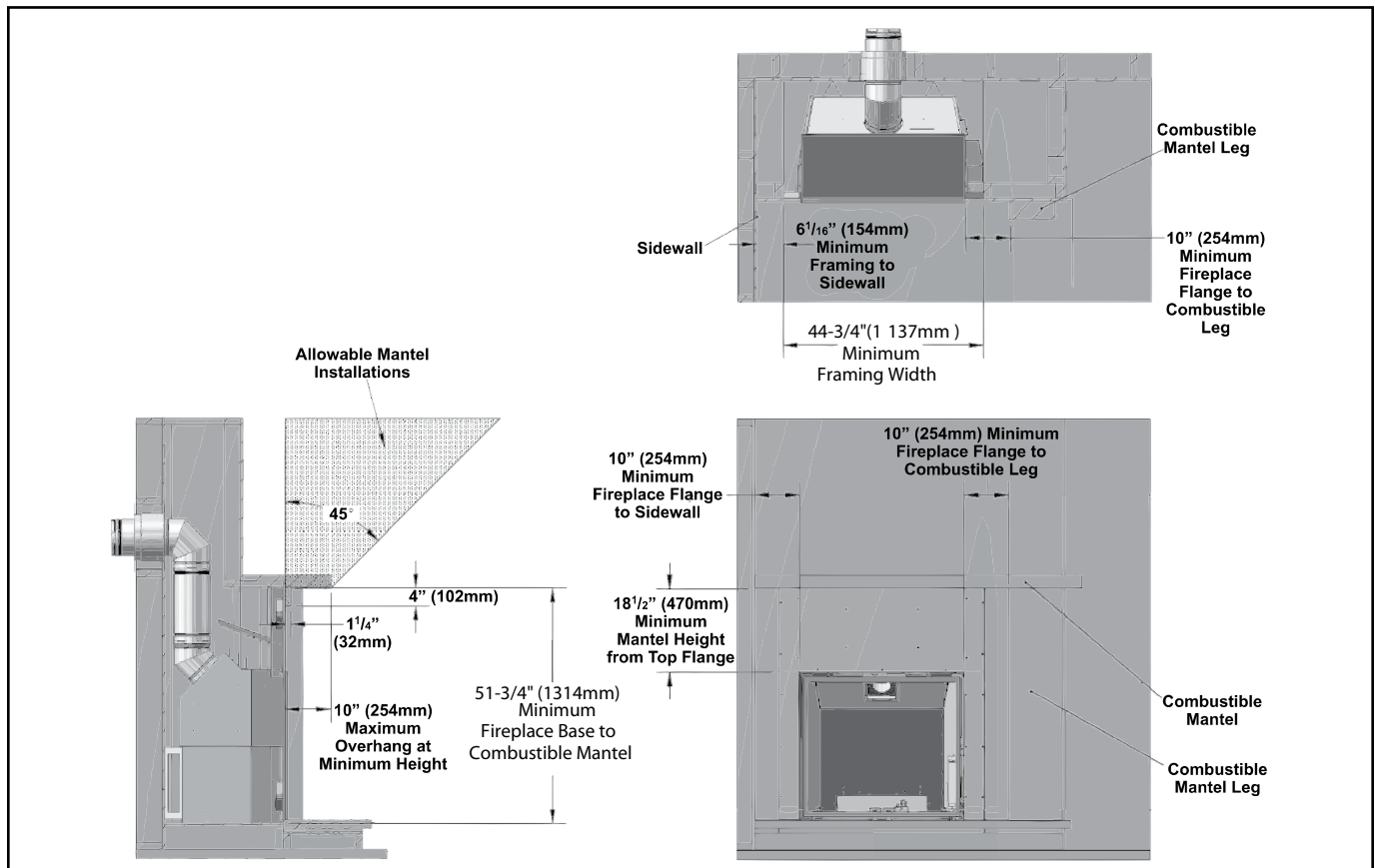
Non-combustible mantels and mantel legs are not limited to these dimensions.

Mantel temperatures are monitored during testing and can reach 117°F (47°C) above room temperatures. Make sure the finish on your mantel is suitable for temperatures of this range.

A wood trim can overhang a maximum of 1-1/4" deep and 14-1/2" in height from the top of the unit as shown in figures 11 and 12.



**Mantel Clearances**

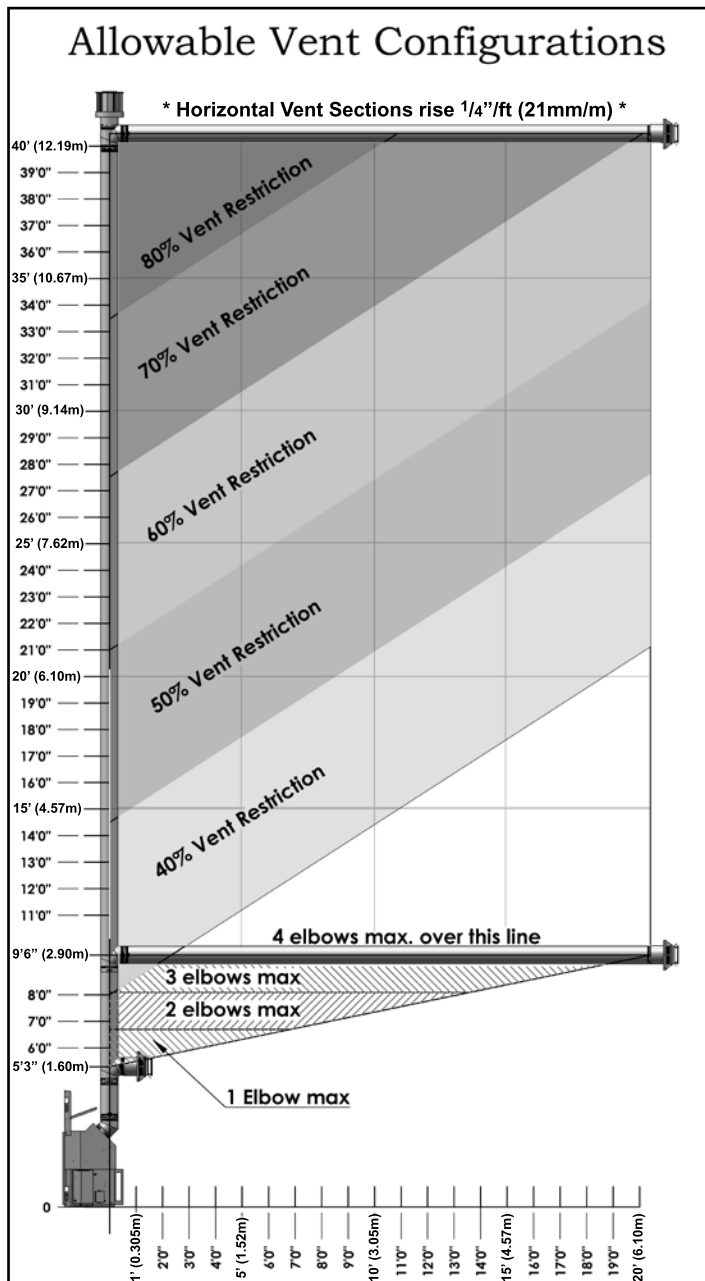


## ALLOWABLE VENT CONFIGURATIONS:

The vent chart, in Figure 23, illustrates the vent configurations that have been tested and approved for use with this appliance. 45° elbows are acceptable for this installation and may be used instead of 90° elbows. You may use two (2) 45° elbows for every 90° elbow shown in this chart. This appliance is also approved for use with 5" x 8" flex venting. For durability, safety and resistance to corrosion, we recommend you use a flex venting made from aluminium. Only use flexible venting that is approved for fireplace applications. Flex vent runs must comply with the same limitations as the rigid vent chart shown here. Flexible vent runs greater than 8' total are not recommended. Mixed vent runs of both Flexible and rigid venting are allowed providing all the proper connectors are utilized. See your vent providers' catalogue for flex to rigid or rigid to flex adaptor numbers.

The restrictor settings shown in Figure 23, are recommended. Installation factors such as altitude, prevailing weather conditions such as temperature or wind, or the number of elbows used may affect your final restrictor settings. Insufficient restriction may cause pilot outages or reduced efficiencies. Too much restriction may lead to elevated operating temperatures, poor flame appearances, sooting or carbon deposits building up on burner effects or window glass.

Only use the restrictors supplied with this appliance.



**Table 1: Vent Restrictor Sizes.**

% Restriction	Ø of Flue Restrictor
40%	3.878" (98.5mm)
50%	3.540" (89.9mm)
60%	3.166" (80.4mm)
70%	2.742" (69.6mm)
80%	2.239" (56.9mm)

**Figure 23. Allowable Vent Configurations Chart.**