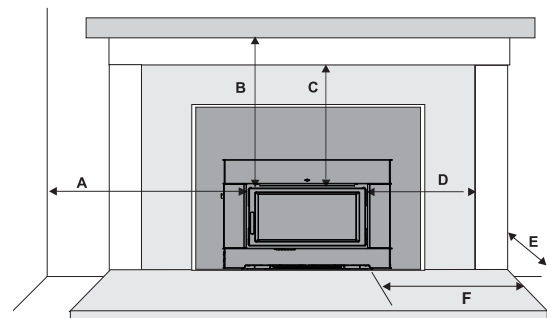
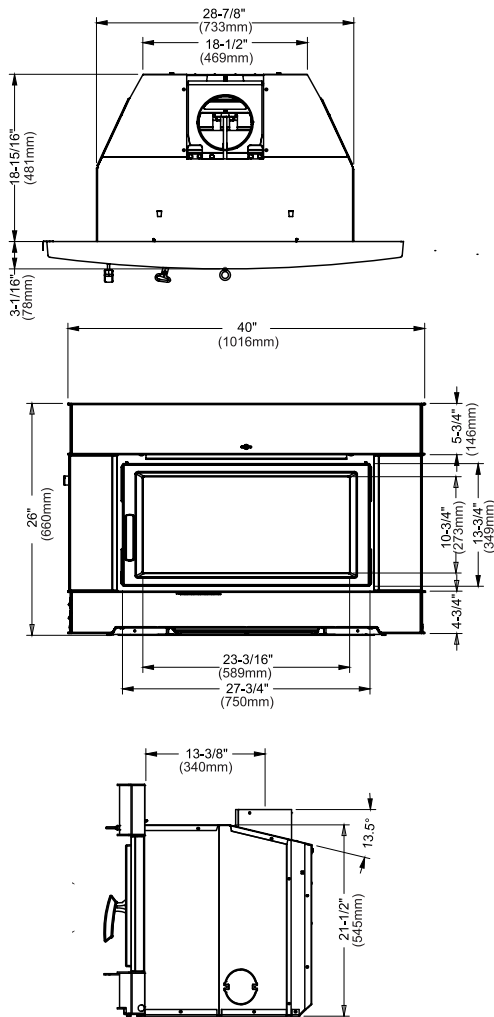


CI2600 Large Wood Insert

Model	CI2600
Cordwood BTU's	77,000 BTU's
Emissions (grams/hr) EPA Certified	1.8 grams/hr
Flue Size	6" (152mm)



Minimum Hearth Extension for the front (E) and sides (F) are measured from the fuel door opening.

Unit	Adjacent Side Wall (to Side of Door) A	Mantle ** (to Top of Door) B	Top Facing (to Top of Door) C	Side Facing (to Side of Door) D	Minimum Hearth Extension* E	Minimum Hearth Side Extension* F
CI2600	12-3/16"	21-5/8"	14"	7-3/8"	US 16" Canada 18"	8"

Measurements A,B,C,D are from Top/Side of Door

Side and Top facing is a maximum of 1.5" thick.

- * Side hearth extension for Canada measured from side of appliance.
- * Hearth to have minimum: R value of 2.13 or greater.
- ** A non-combustible mantel may be installed at a lower height if the framing is made of metal studs covered with a non-combustible board.
- ** Max. mantle depth is 10" (254mm).

Wood insert opening requires the following minimum sizes:

Height: 21-3/4"
Width: 28-13/16"
Depth: 19"

Three faceplates are available to seal the fireplace opening:

Contemporary	40" W x 26" H
Low Profile	40" W x 26" H
Cast	41-3/8"W x 26-1/2"H

NOTE: All product specifications are subject to change without notice. Before installing refer to the relevant product manual for full and up to date information.