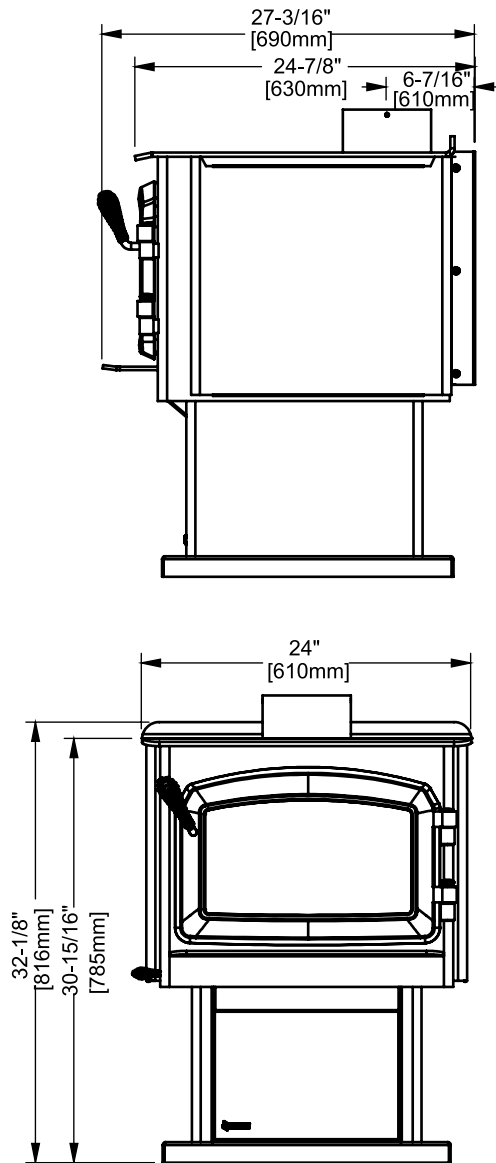


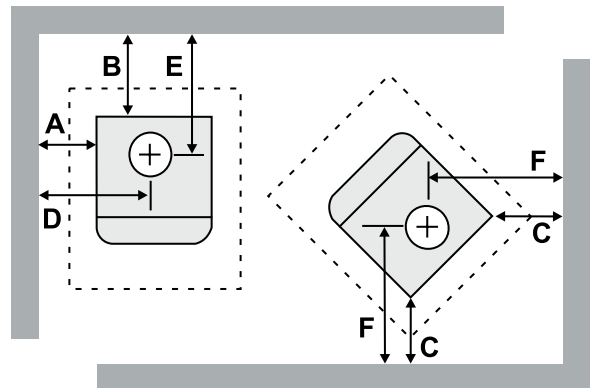
F2400 Medium Stove



Minimum Clearance To Combustible Materials

Please read the section below carefully as clearances depend on whether the airmate or the rear heat deflector is installed on the stove.

Measurements "From Unit" are from the top plate of the stove to a side wall or to a corner, and from the rear heat shield to a back wall.



Residential Installation "C" Vent (Single Wall)						
Unit	From Unit		From Corner		From Vent centerline	
	A	B	C	D	E	F
F2400						
with Airmate	16"	11"	6"	28"	17.5"	17.5"
with Rear Deflector	18"	12"	6.5"	30"	18.5"	19.5"

Residential Close Clearance (To be installed with required pipe components)
When the stove is installed as a close clearance residential unit, a listed double wall connector is required from the stove collar to the ceiling level.

Unit	From Unit		From Corner		From Vent centerline	
	A	B	C	D	E	F
F2400						
with Airmate	15"	5.5"	4"	27"	12"	15.5"
with Rear Deflector	15"	6.5"	6"	27"	13"	17.5"

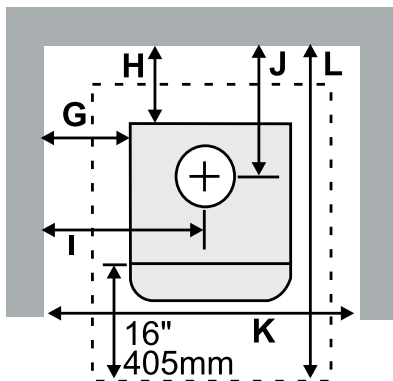
Mobile Home Close Clearance (To be installed with required pipe components)
*C" Vent single wall pipe is not approved for Mobile Home installations. (Refer to mobile home instructions.)

Unit	From Unit		From Corner		From Vent centerline	
	A	B	C	D	E	F
F2400						
with Airmate	15"	5.5"	4"	27"	12"	15.5"
with Rear Deflector	15"	6.5"	6"	27"	13"	17.5"

Minimum Alcove Clearance To Combustible Materials

Regency Freestanding models have been alcove approved and must be installed with a listed double wall connector to the ceiling level.

Note: Minimum alcove ceiling height - 84"
Maximum depth of alcove - 36"

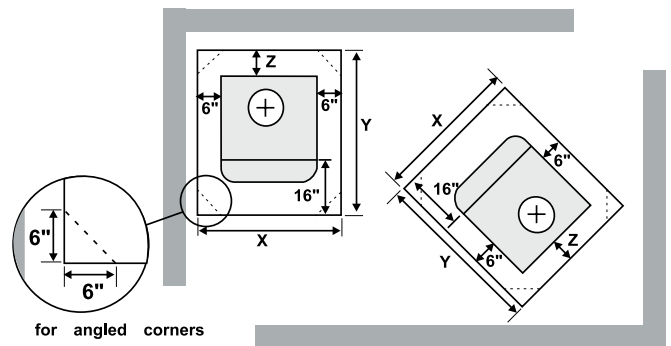


Unit	From Unit		From Vent centerline		Min. Width	Min. Hearth to Rear Wall
	G	H	I	J	K	L
F2400						
with Airmate	15"	5.5"	27"	12"	54"	48"
with Rear Deflector	15"	6.5"	27"	13"	54"	49"

Floor Protection

A combustible floor must be protected by a non-combustible material (like tile, concrete board, or certified to UL-1618 or as defined by local codes) extending beneath the heater and a minimum of 6" from each side and minimum 16" from the front face of the stove and minimum 6" (or the rear clearance to combustibles whichever is smaller) from the rear of the stove.

Minimum Overall Width (X) of Floor Protector for all installations:
Medium Stove F2400 36"



* US measurements shown

NOTE: In Canada, floor protection must extend 18" to the front and 8" to each side of the stove.

Minimum Overall Depth (Y) of Floor Protector

Unit	Residential "C" Vent		Residential Close Clearance		Mobile Home Close Clearance		Alcove	
	Y	Z	Y	Z	Y	Z	Y	Z
F2400								
with Airmate	46"	6"	45"*	5"	45"	5"	45"*	5"
with Rear Deflector	46"	6"	45"	5"	45"	5"	45"	5"

*The rear clearance to combustibles is less than 6" (152mm), for corner installations the rear corners may be angled to take advantage of the closer clearances.