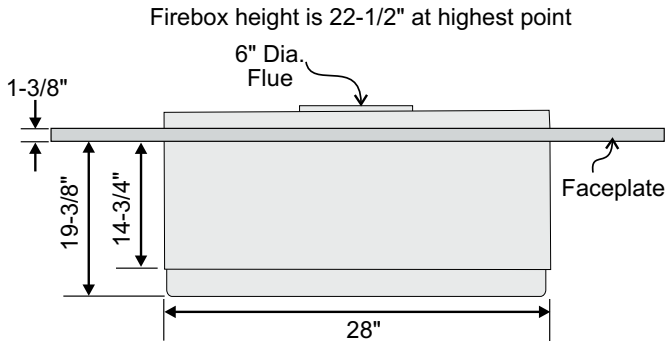


## H2100 Hearth Heater

<b>Model</b>	<b>H2100</b>
Cordwood BTU's	70,000 BTU's
Emissions (grams/hr) EPA Certified	3.5 grams/hr
Flue Size	6" (152mm)



Minimum Fireplace Opening	
Height	20" (508mm)
Width	N/A
Depth	N/A
Faceplate Dimensions	
Standard	40-1/4" (wide) x 30" (height)
Oversize	48" (wide) x 33" (height)

Dimension	Description	H2100
A	Adjacent Side Wall (to side)	10" (255mm)
B	Mantle (to top)**	25" (635mm)
C	Top Facing (to top)	14" (355mm)
D	Side Facing (to side)	8-1/2" (216mm)
E	Minimum Hearth Extension*	18" (455mm)
F	Minimum Heath Thickness*	1-1/2" (38mm)
G	Minimum Hearth Side Extension	6" (152mm)
H	To Top of Unit	22-1/2" (572mm)

Side and Top facing is a maximum of 1-1/2" thick.

Floor protection must be non-combustible, insulating material with an R value of 1.1 or greater.

\* If the hearth extension is flush with the floor (F) it must extend 19-1/2" in front of the body face (E).

**Note:** Hearth Extension Width (G) is measured from edge of fuel door to side of hearth.

\*\* A non-combustible mantel may be installed at a lower height if the framing is made of metal studs covered with a non-combustible board.

