

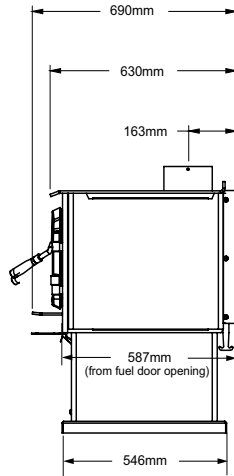
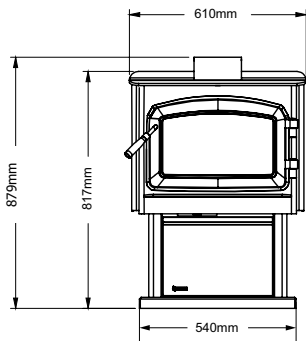
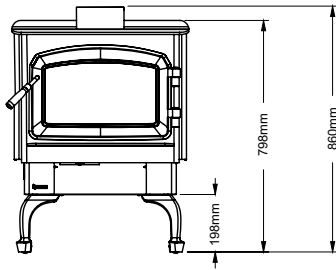
F2452 Hamilton / Windsor Freestanding Wood Fire

F2452	
Flue Size	152 mm
Log Size	46 cm
Efficiency	63%
Average Heat Output (kW)	9.4 kW
Emissions	1.3g/kg
Heating Capacity	200 - 240 sq.m*

*Varies depending on home floor plan, house layout, heat loss of the house and quality/moisture content of wood.

Unit Dimensions

Arched Door

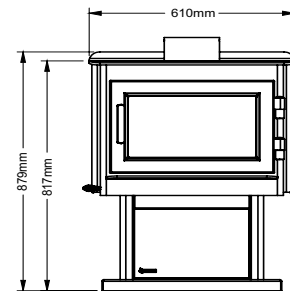
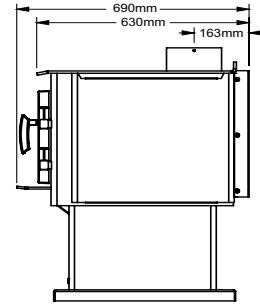


MODEL: Windsor

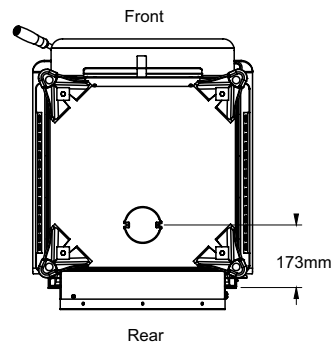
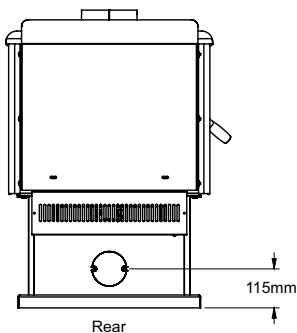


MODEL: Hamilton

Square Door



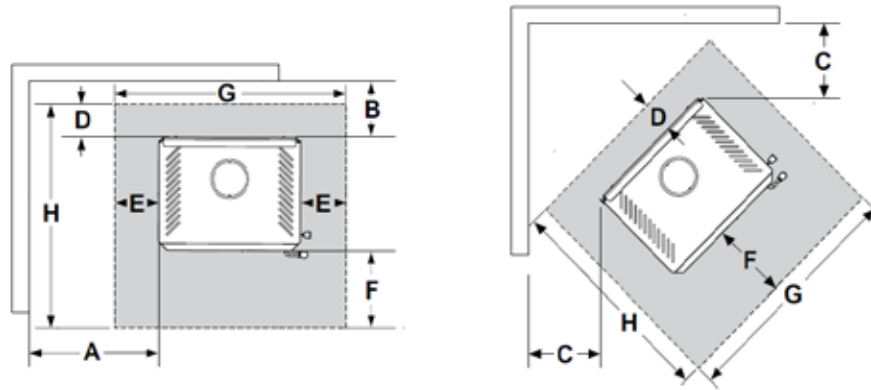
Outside Air Dimensions



Clearance Requirements (152mm Double / Triple Skin Flue Kits)

The Regency F2452 freestanding appliance installed with a 152mm double / triple skin flue kit was tested in a manner conforming to joint Australian/New Zealand Standard 2918:2018.

CLEARANCES TO COMBUSTIBLE MATERIALS

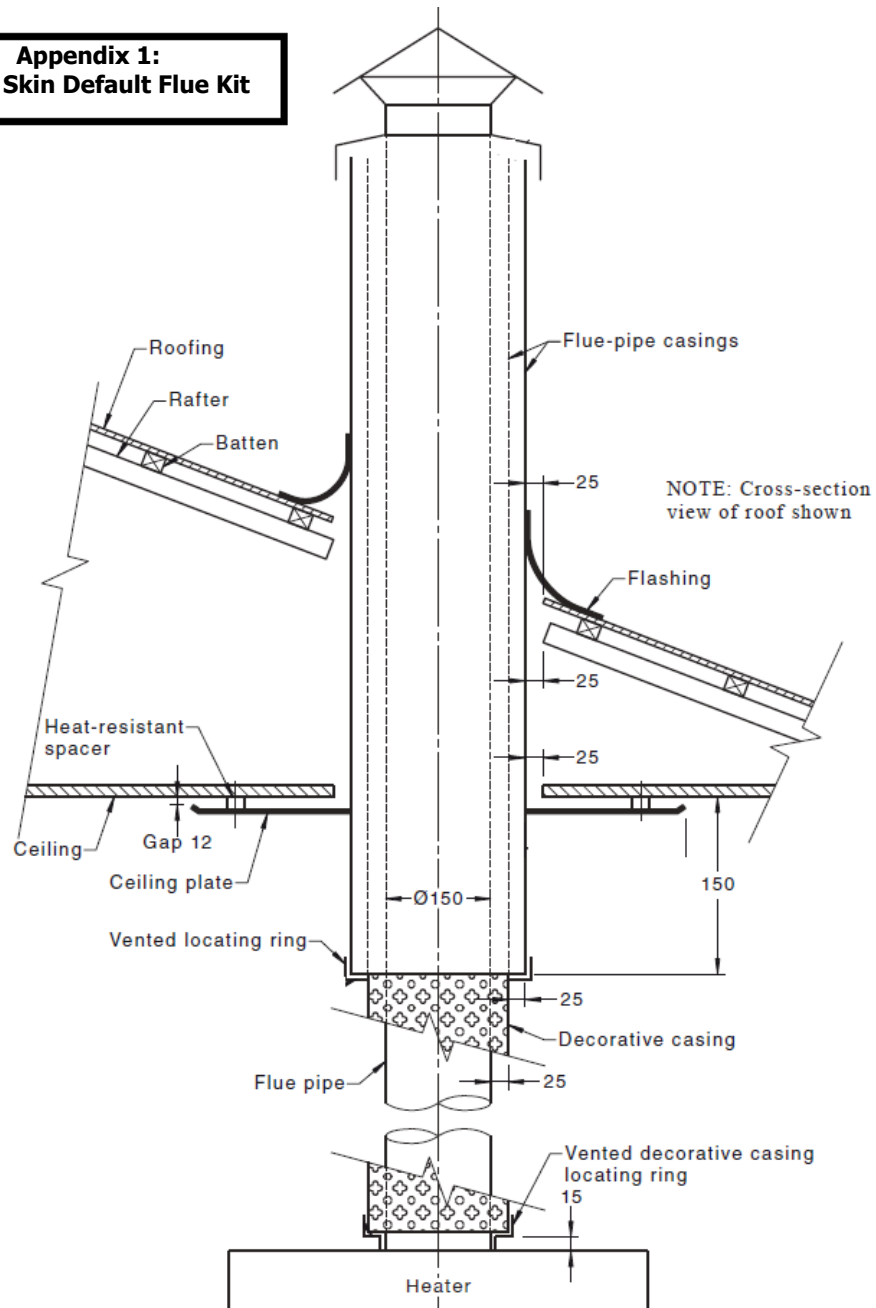


Residential Installation			A	B	C	D	E	F	G	H
Windsor & Hamilton	Standard Default Kit (1)	Rear De-flector	450	100	275	0	118	300	845	990
	State Wide Heating 6141ws (2)	Rear De-flector	550	175	275	0	118	300	845	990
Windsor & Hamilton	Standard Default Kit (1)	Airmate	450	100	275	0	118	300	845	990
	State Wide Heating 6141ws (2)	Airmate	550	100	275	0	118	300	845	990

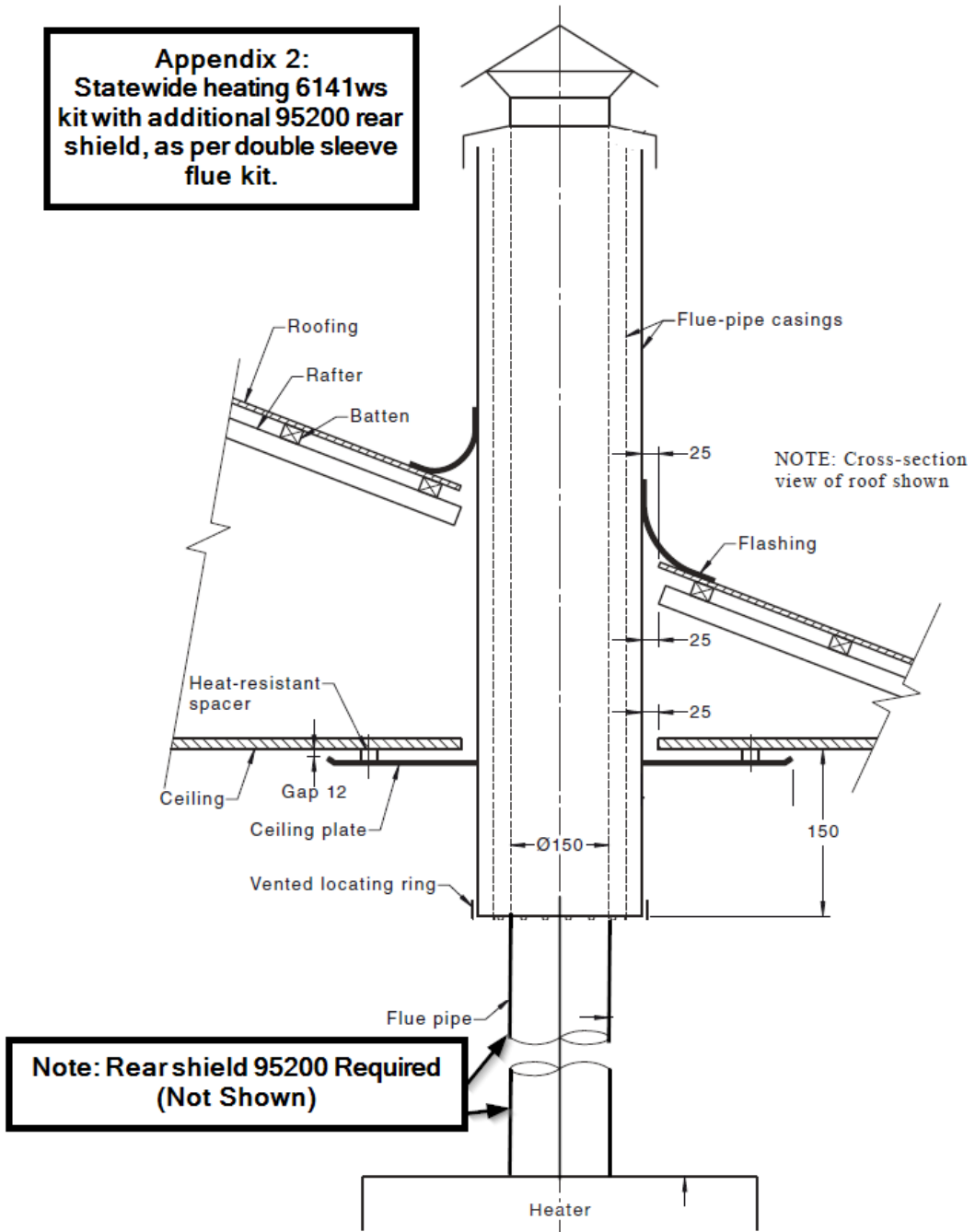
- (1) Triple skin default flue kit - including decromesh from the top of the unit to ceiling - refer to appendix 1 for detailed description.
- (2) Double sleeved flue kit (Statewide heating p/n 6141WS) with addition of 195200 rear shield fitted - refer to appendix 2 for detailed description.

A minimum 990mm deep x 845mm wide x 6mm thick floor protector (compressed board) should be used under and in front of the appliance base when installing the appliance (see joint AS/NZS 2918:2018 3.3.2). The floor protector should extend 300mm in front of the appliance door and be placed centrally in the 845mm width. The thermal resistivity of the floor protector is 0.026m².K/W for 6mm thick compressed board sheets.

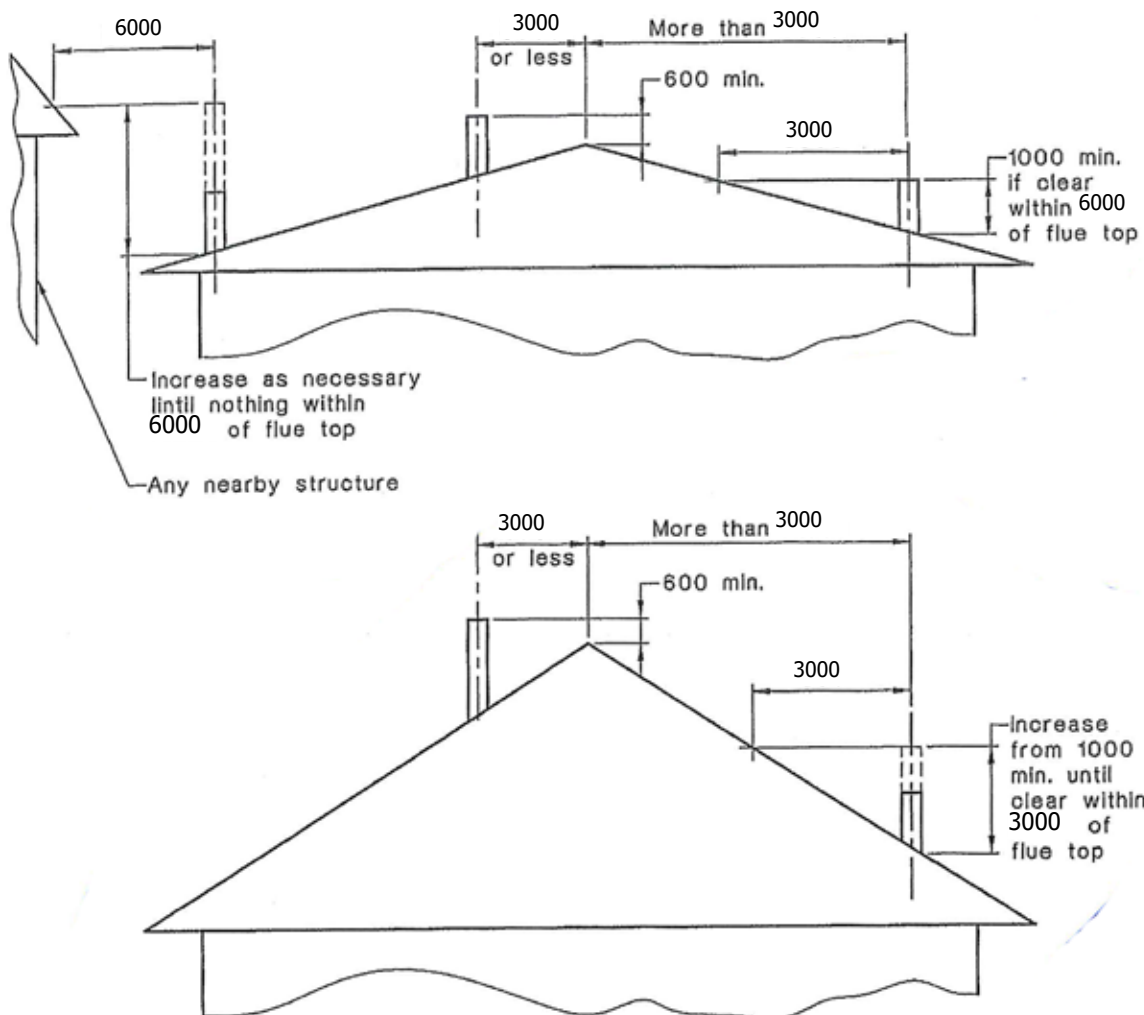
**Appendix 1:
Triple Skin Default Flue Kit**



**Appendix 2:
Statewide heating 6141ws
kit with additional 95200 rear
shield, as per double sleeve
flue kit.**



Flue Termination Detail



THE FLUE PIPE SHALL EXTEND NOT LESS THAN 4.6 M ABOVE THE TOP OF THE FLOOR PROTECTOR.

NOTE: INSTALLATION MUST BE CARRIED OUT BY A LICENSED INSTALLER IN ACCORDANCE WITH AS/NZS 2918:2018