

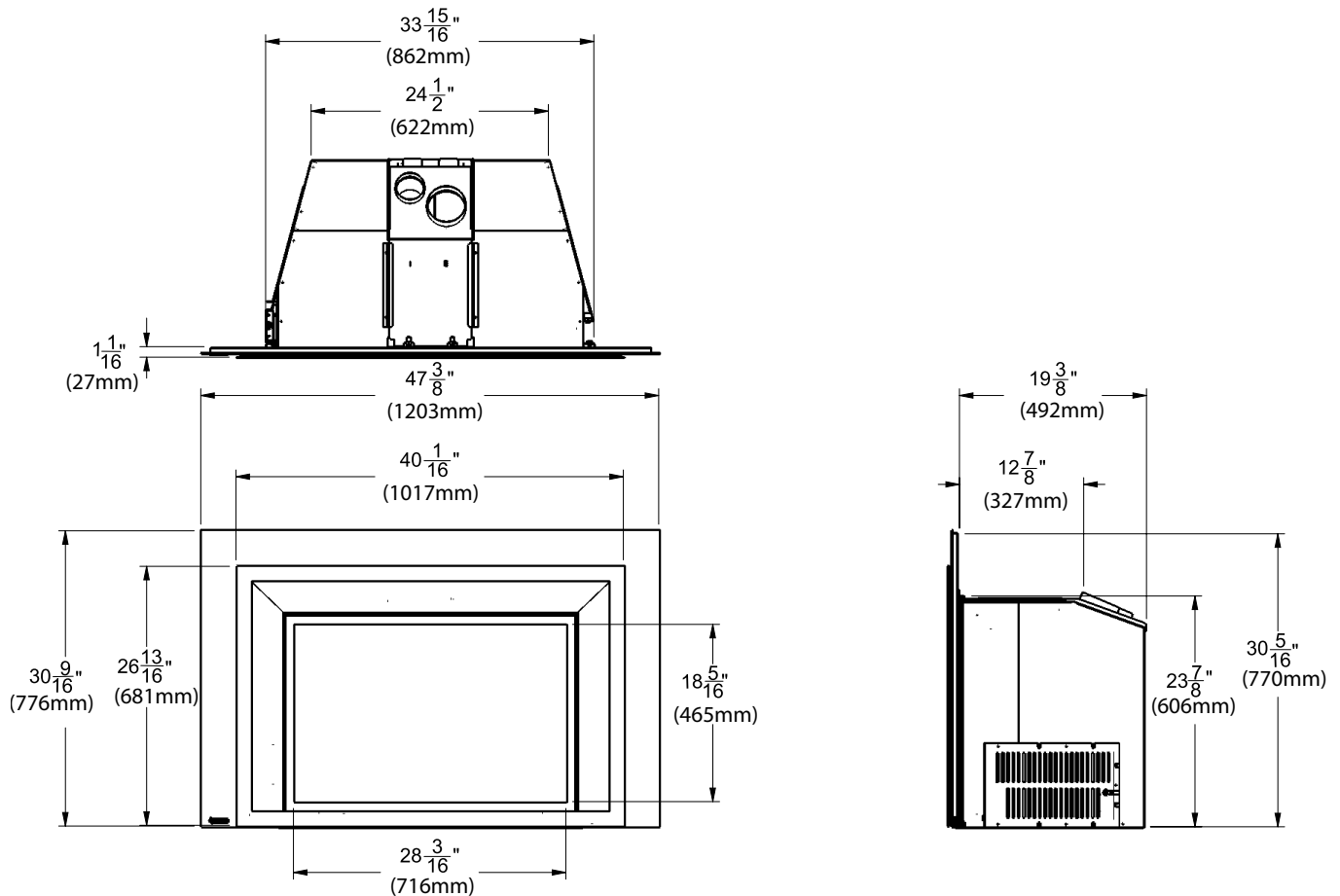
## HRI6E Gas Insert

Model	HRI6E-NG	HRI6E-LP
Fuel Type	Natural Gas	Propane
Minimum Supply Pressure	5" W.C. (1.25 kPa)	11" W.C. (2.73 kPa)
Manifold Pressure - High	3.5" W.C. (0.87 kPa)	10" W.C. (2.48 kPa)
Manifold Pressure - Low	1.6" W.C. (0.41 kPa)	6.4" W.C. (1.59 kPa)
Orifice Size -Altitude 0-4500 ft.	#32 DMS	#51 DMS
Minimum Input Altitude 0-4500 ft. (0-1372m)	25,000 BTU/h (7.33 kW)	30,000 BTU/h (8.79 kW)
Maximum Input Altitude 0-4500 ft. (0-1372m)	38,000 BTU/h (11.14 kW)	38,000 BTU/h (11.14 kW)
Vent Sizing	3"x 4" Co-linear (Standard)	3"x 4" Co-linear (Standard)

Approved Venting Systems	
3" x 4" Flex Vent Systems:	Colinear Termination 946-588

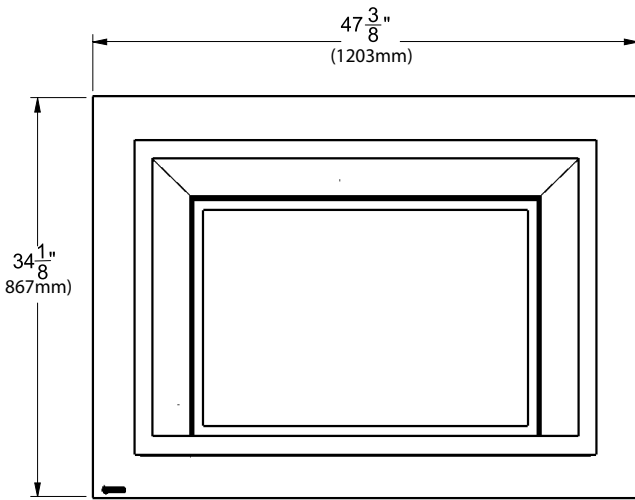


## UNIT DIMENSIONS

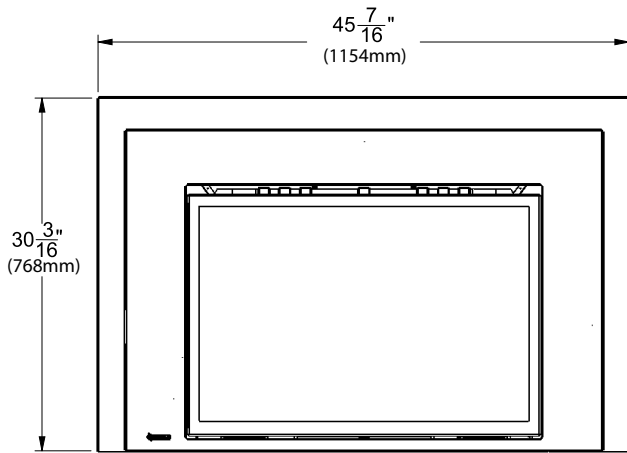


Dimensions with Vignette Faceplate

## UNIT DIMENSIONS



Dimensions with 4 sided Faceplate

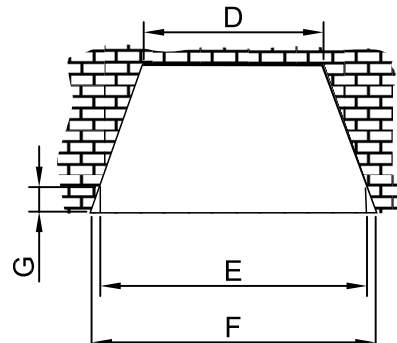
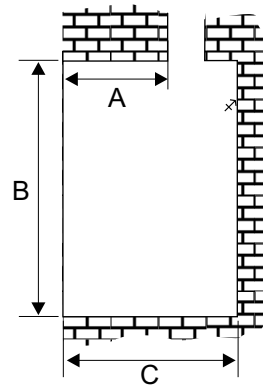


Dimensions with Low Profile Faceplate

## MINIMUM FIREPLACE DIMENSIONS

The minimum fireplace clearances & dimensions for the Regency gas insert are shown in the following diagrams:

	Max Lenti Bar Depth A	Height B	Overall Depth C	Width (rear) D	Width (front)* E	Front Depth (prior to taper) F	Width (front)* G
Low Profile Faceplate	10	24"	16-3/4"	25"	34"	2-1/4"	35-3/8"
Vignette Faceplate	12-1/2"	24"	19-1/2"	25"	34"	4-3/4"	37"
Vignette Faceplate w/ spacer	10"	24"	16-3/4"	25"	34"	2-1/4"	35-3/8"



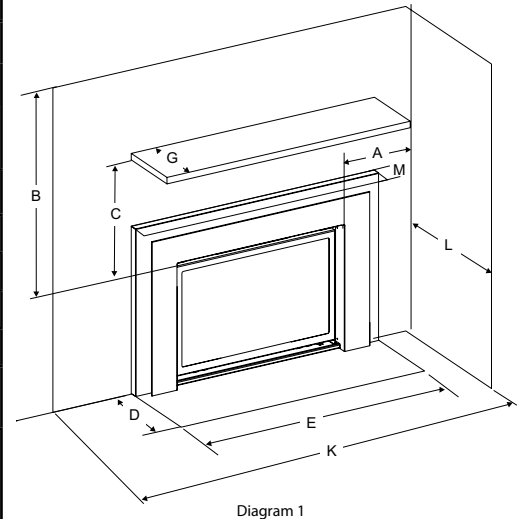
## MINIMUM CLEARANCES TO COMBUSTIBLES

The clearances listed below are Minimum distances unless otherwise stated:

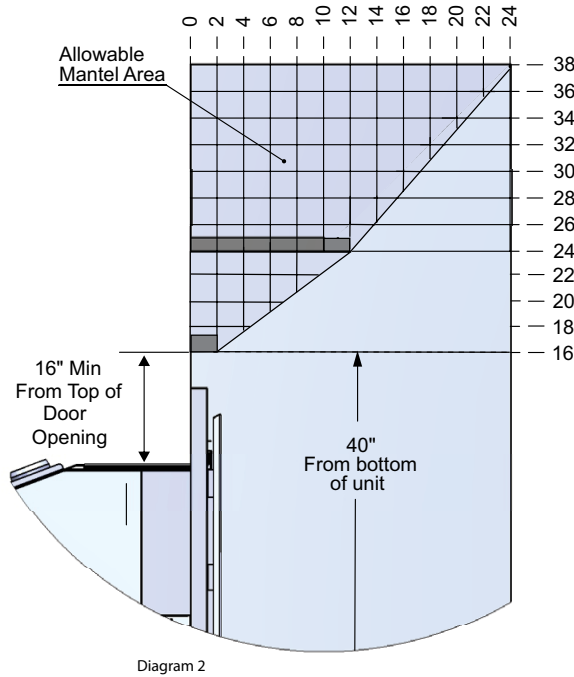
A major cause of fires is failure to maintain required clearances (air space) to combustible materials. It is of the greatest importance that this decorative gas appliance be installed only in accordance with these instructions.

Clearance:	Dimension	Measured From:
<b>A: Sides</b>	12" / 305 mm	From inside edge of faceplate / doors
<b>B: Ceiling</b>	60" / 1524 mm	From Base of unit
<b>C: Mantel (Min. Height)*</b>	*36" / 914mm 40" / 1016mm	From base of unit From base of unit
<b>D: Min. Hearth Depth</b>	14" / 356mm	
<b>E: Min. Hearth Width</b>	44" / 1016mm	
<b>G: Max. Mantle Depth</b>	12" / 305 mm	@ 48" (1219mm) from bottom of unit
<b>K: Min. Alcove Width</b>	56" / 1422 mm	
<b>L: Max. Alcove Depth</b>	36" / 914 mm	
<b>M: Optional mantel deflector</b>	3-1/2" / 89mm	

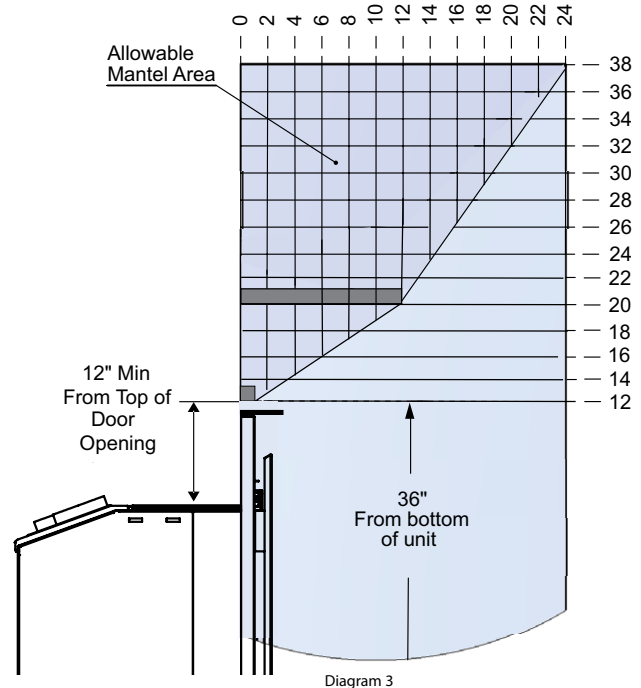
**Notes:** Non-combustible hearth required. If unit is raised 6" from the floor - no hearth is required.  
 Otherwise: Min. Hearth requirements - An R value of 1.75 is required to meet the requirements of the hearth in front of this appliance. 1" of Calcium Silicate board available from Regency, part number (296-936) plus 3/8" tile or equivalent would meet this requirement.  
 See part instruction sheet 919-133 for non-combustible Calcium Silicate board requirements.



### MANTEL CLEARANCES WITHOUT DEFLECTOR



### MANTEL CLEARANCES WITH 3-1/2" DEFLECTOR



**WARNING**  
 Although this appliance passes safety certification, the hearth in front of the fireplace becomes very hot when the fireplace heats up. Do not use the hearth as a seat or shelf.

**Note:** A 3-1/2" mantel deflector to reduce mantel height to 36" from bottom of unit @ 1" depth.

A noncombustible mantel may be installed at a lower height if the framing is made of metal studs covered with a noncombustible board.