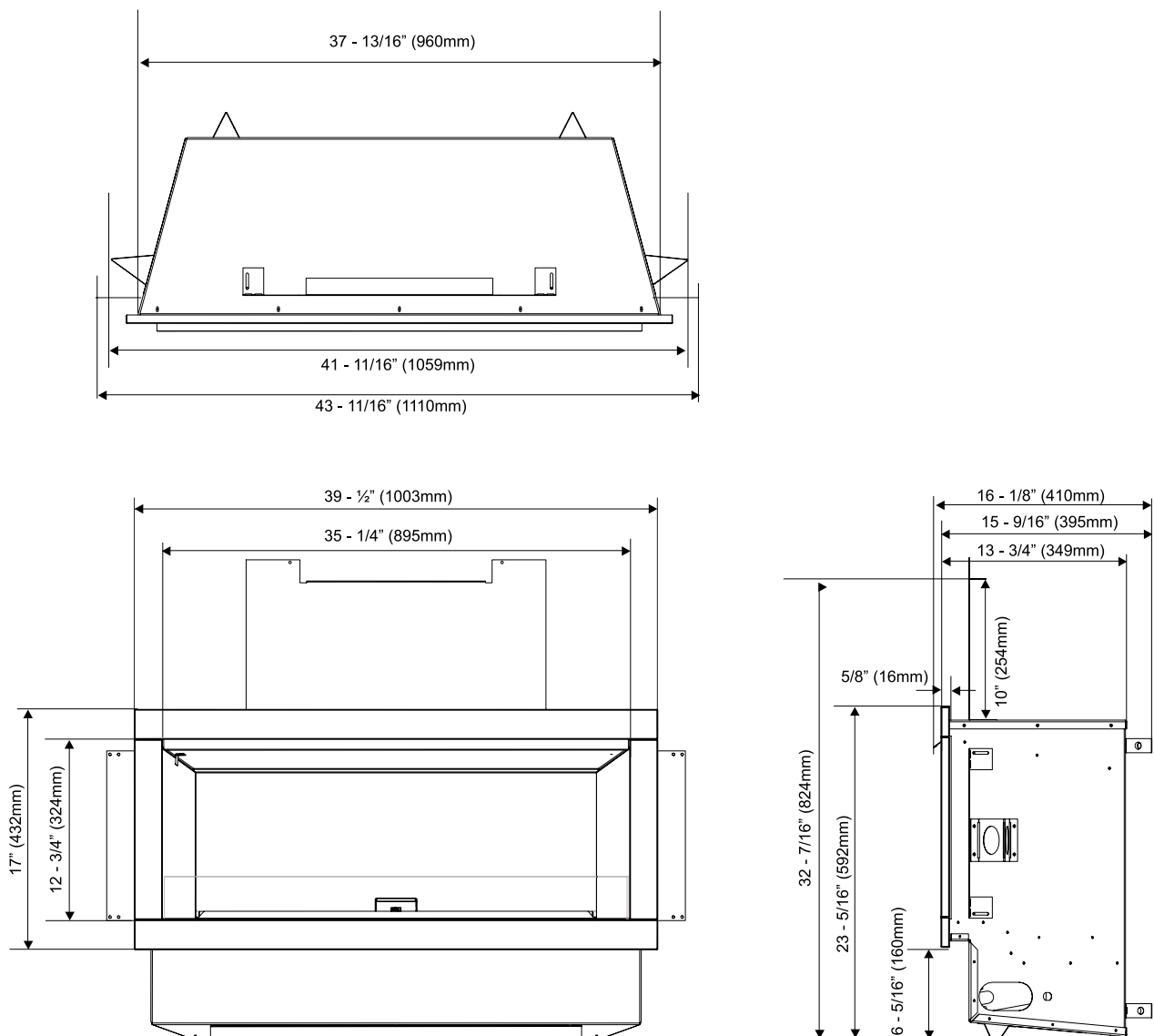


HZO42-11 Outdoor Fireplace

MODEL	HZ042-NG	HZ042-ULPG
Fuel Type	Natural Gas	Propane
Minimum Supply Pressure	5" W.C. (1.25 kPa)	11" W.C. (2.73 kPa)
Manifold Pressure - High	3.5" W.C. (0.87 kPa)	10" W.C. (2.49 kPa)
Manifold Pressure - Low	1.1" W.C. (0.27 kPa)	2.9" W.C. (0.72 kPa)
Orifice Size -Altitude 0-4500 ft	# 29 DMS	# 47 DMS
Minimum Input Altitude 0-4500 ft. (0-1372m)	44,500Btu/h (13.04 kW)	43,500 Btu/h (12.74 kW)
Maximum Input Altitude 0-4500 ft. (0-1372m)	44,500 Btu/h (13.04 kW)	43,500 Btu/h (12.74 kW)
Vent Sizing	No Vent	No Vent



UNIT DIMENSIONS



MINIMUM CLEARANCES TO COMBUSTIBLES

The clearances listed below are minimum distances unless otherwise stated.

A major cause of fires is failure to maintain required clearances (air space) to combustible materials. It is of the greatest importance that this fireplace be installed only in accordance with these instructions.

Caution Requirements

The top, back and sides of the fireplace are defined by standoffs. The metal ends of the standoff may **NOT** be recessed into combustible construction.

WARNING

Fire hazard is an extreme risk if these clearances (air space) to combustible materials are not adhered to. It is of greatest importance that this fireplace be installed only in accordance with these instructions.

HZO42-11 Clearance Requirements

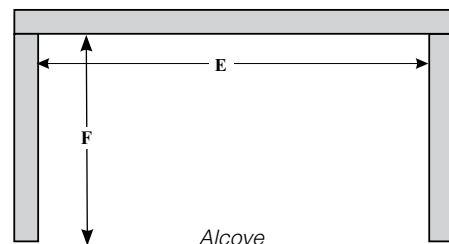
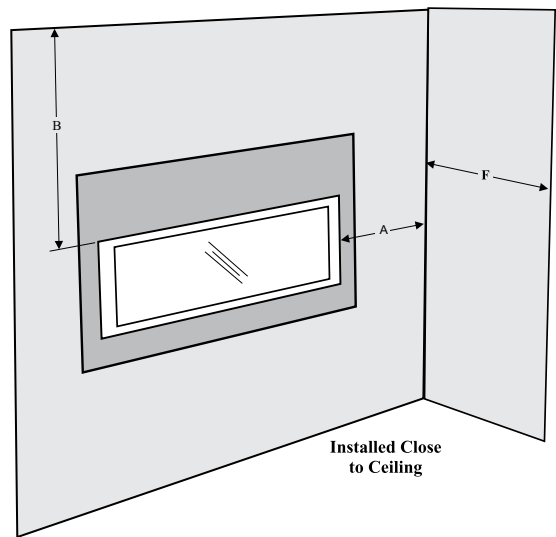
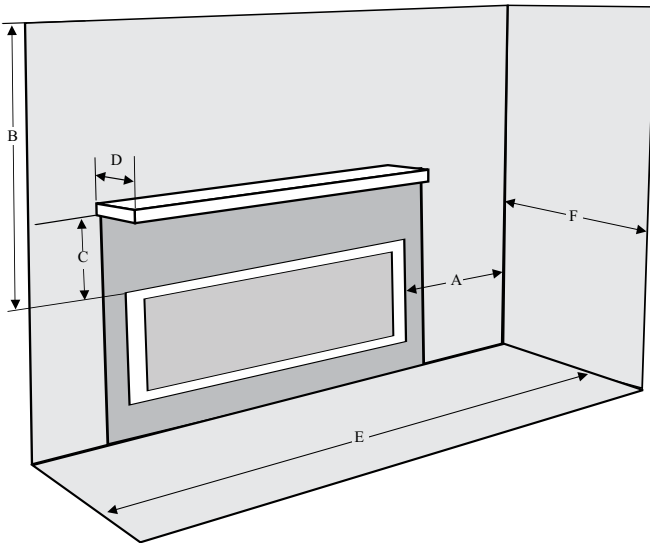
Clearance	Dimension	Measured From:
A: Sidewall	11" (279mm)	Side of Fireplace Opening
B: Ceiling	36" (914mm)	Top of Fireplace Opening
C: Mantel Height (min.)	18" (457mm)	Top of Fireplace Opening
D: Mantel Depth (max.)	12" (304mm)	From Wall
E: Alcove Width	57" (1448mm)	Wall to Wall (Minimum)
F: Alcove Depth	36" (914mm)	Front to Back Wall (Maximum)
Notes:	0"	No Hearth Required

Warning:

When installing this appliance; do not cover or surround with insulation.

This appliance can overheat and cause malfunction and component failure, if covered, or partially covered.

If the appliance is installed inside a chase, insulation must be installed on the walls of the chase, not on the appliance.



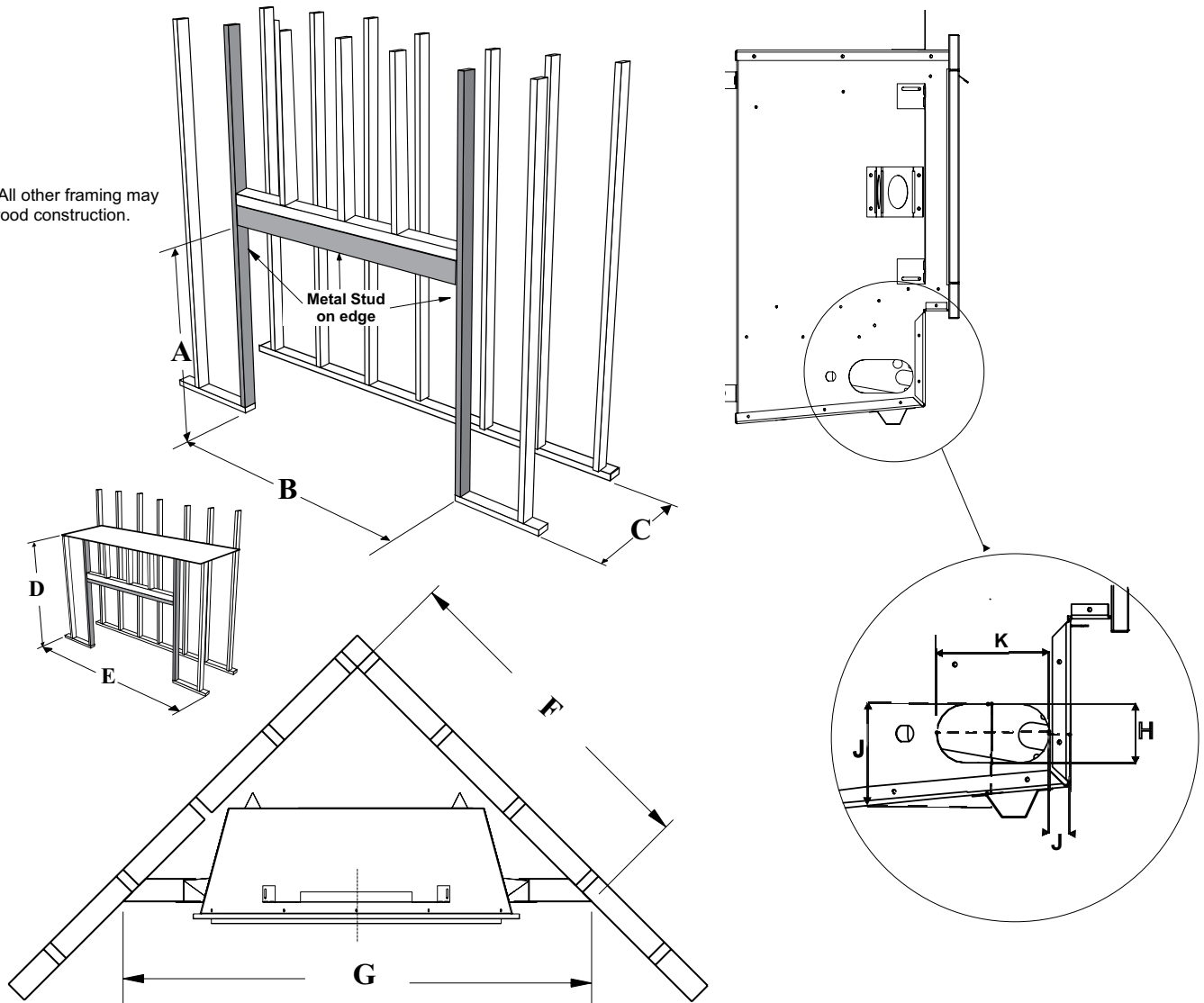
HZO42-11 Outdoor Fireplace

FRAMING DIMENSIONS

Framing Dimensions	Description	HZO42-11
A	Header Height	32-11/16" (30mm)
B	Side Stud Width	42 - 3/16" (1072mm)
C	Minimum framing depth	20" (508mm)
D	Minimum Height to Combustibles	52 - 1/2" (1334mm)
E	Minimum framing width	60" (1524mm)
F	Corner Wall Depth	40 - 7/16" (1027mm)
G	Corner Facing Wall Width	54 - 3/16" (1376mm)
H	Gas Connection Opening Height	2" (51mm)
I	Gas Connection Height	3-7/8 " (98mm)
J	Gas Connection Inset	3/4" (73mm)
K	Gas Connection Opening Width	3-7/8 " (98mm)

* Framing depth measurement is noted with the nailing strips set as far forward on the firebox as possible. The nailing strips can be adjusted back up to 1" to allow for varying thicknesses in non-combustible material & wall finishes.

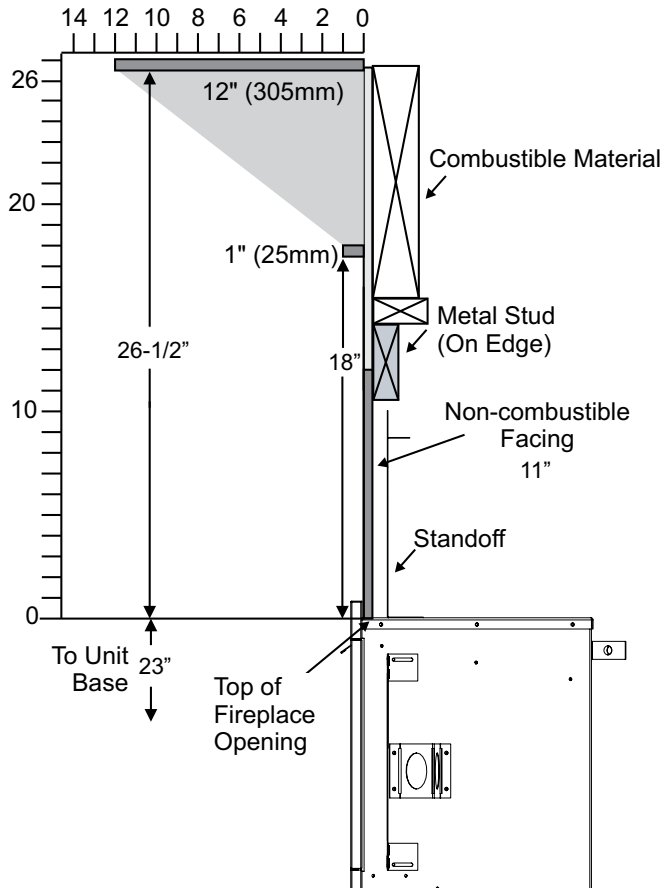
Note: All other framing may be of wood construction.



MANTEL CLEARANCES

Due to the extreme heat this fireplace emits, the mantel clearances are critical. Combustible mantel clearances from top of front facing are shown in the diagram on the right.

Note: Ensure the paint that is used on the mantel and the facing is "heat resistant" or the paint may discolour.



NON-COMBUSTIBLE REQUIREMENTS

