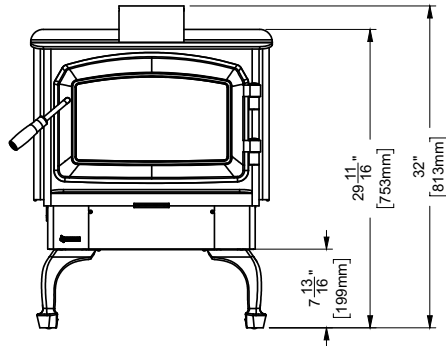


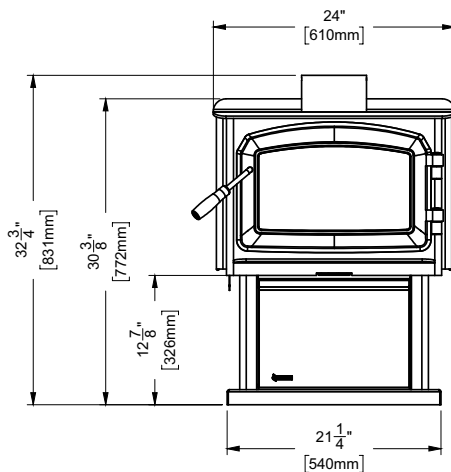
## F1150 Wood Small Stove

<b>Model</b>	<b>F1150</b>
Cordwood BTU's	55,000 BTU's
Emissions (grams/hr) EPA Certified	1.7 grams/hr
Efficiency	75%
Flue Size	6" (152mm)

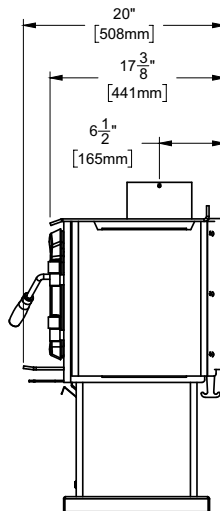
### UNIT DIMENSIONS



Unit with legs

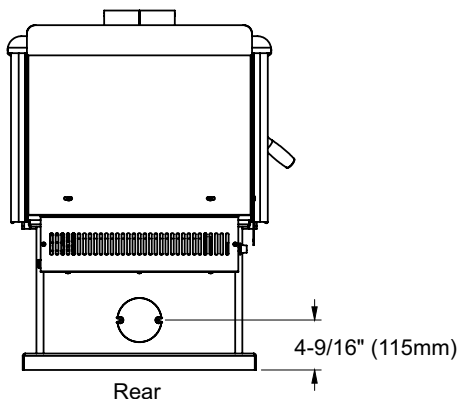


Unit with pedestal

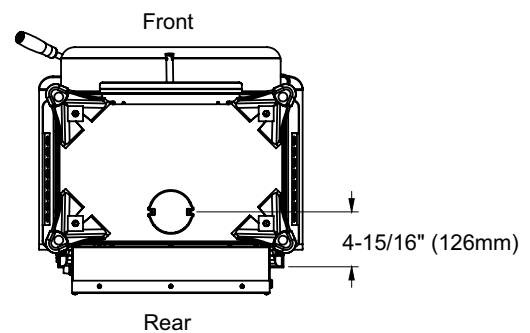


### OUTSIDE AIR DIMENSIONS

with pedestal



with bottom heat shield + legs



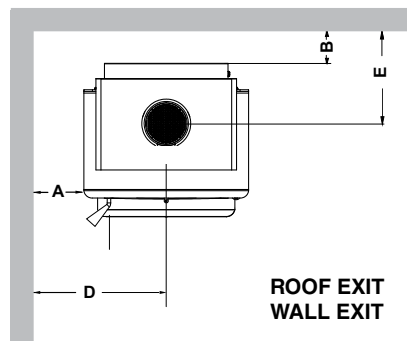
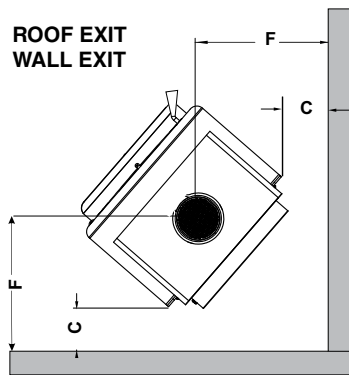
## MINIMUM CLEARANCE TO COMBUSTIBLE MATERIALS

Please read the section below carefully as clearances depend on whether single wall or double wall pipe is installed on the stove. Measurements "From Unit" are from the top plate of the stove to a side wall or to a corner, and from the rear heat shield to a back wall.

**Clearances may only be reduced by means approved by the regulatory authority.**

**Note:** Minimum ceiling height - 83" (2108mm)

**Note:** This clearance is also required for air space between the appliance and wall/ceiling.



**NOTE:** Be aware that local Codes and Regulations may override some clearances listed in this manual. Check with your local inspector.

**NOTE:** Clearances to combustibles are for the safety of the property. To avoid overheating and damaging the appliance these clearances should be maintained for non-combustibles also.

Residential Installation "C" Vent (Single Wall Pipe)							
F1150	with Airmate or Rear Deflector	A	B	C	D	E	F
		13" 330mm	10-1/2" 267mm	9" 229mm	25" 635mm	17-1/16" 433mm	21" 532mm

Residential Close Clearance (To be installed with required pipe components) Listed Double Wall Pipe							
When the stove is installed as a close clearance residential unit, a listed double wall connector is required from the stove collar to the ceiling level.							
F1150	with Airmate or Rear Deflector	A	B	C	D	E	F
		11" 279mm	7" 178mm	5" 127mm	23" 584mm	13-9/16" 345mm	17" 432mm

Mobile Home Close Clearance (To be installed with required pipe components) Listed Double Wall Pipe							
When the stove is installed as a close clearance residential unit, a listed double wall connector is required from the stove collar to the ceiling level. Refer to Mobile Home Installation in this manual.							
F1150	with Airmate or Rear Deflector	A	B	C	D	E	F
		11" 279mm	7" 178mm	5" 127mm	23" 584mm	13-9/16" 345mm	17" 432mm

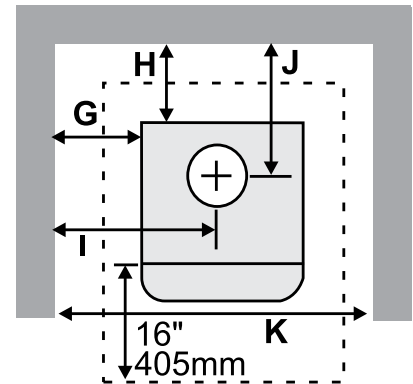
F1150 Wood Stove

## MINIMUM ALCOVE CLEARANCE AND CLEARANCE TO COMBUSTIBLE MATERIALS

The Regency Freestanding models have been alcove approved and must be installed with a listed double wall connector to the ceiling level. Single wall pipe (C Vent) is not approved for alcoves.

**Note:** Minimum alcove ceiling height - 83" (2108mm)  
Maximum depth of alcove - 36" (914mm)

**NOTE:** This clearance is also required for air space between the appliance and wall/ceiling.



Unit	From Unit		From Flue Center-Line		From Wall
	G	H	I	J	K
F1150 with Airmate or Rear Deflector	11" (279mm)	7" (178mm)	23" (584mm)	13-9/16" (345mm)	46" (1168mm)

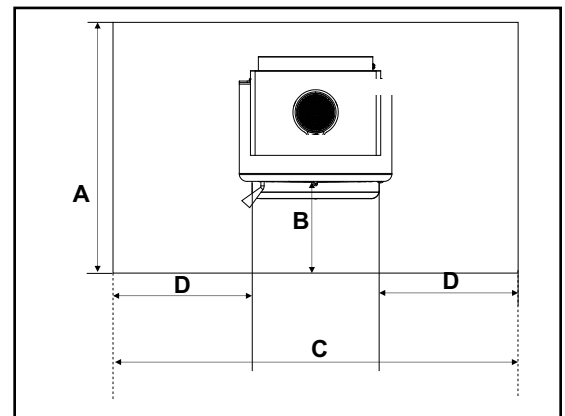
## FLOOR PROTECTION (EMBER PROTECTION ONLY REQUIRED)

A combustible floor must be protected by a non-combustible material (like tile, concrete board, or certified to UL-1618 Type 1 (or as defined by local codes).

Canada: Beneath the heater and extending to at least 18" (457mm) on the fuel loading side and at least 8" on the sides and back.

USA: Beneath the heater and extending to at least 16" (405mm) beyond the fuel loading side and ash removal opening and at least 8" (203mm) on the sides and back and under the chimney connector extending 2" (51mm) beyond each side for horizontal applications.

Where the appliance is installed less than 8" from a rear wall, the ember pad only needs to extend to the base of the wall based on the clearances noted in this manual.



Minimum Overall Depth of Floor Protector					
Unit		Hearth Depth	Edge of Fuel door opening to edge of hearth	Hearth Width	Edge of Fuel Door Opening
		A	B	C	D
F1150	Canada	42" (1067mm)	18" (457mm)	33-11/16" (932mm)	8" (203mm)
	USA	40" (1016mm)	16" (406mm)	33-11/16" (932mm)	8" (203mm)

F1150 Wood Stove

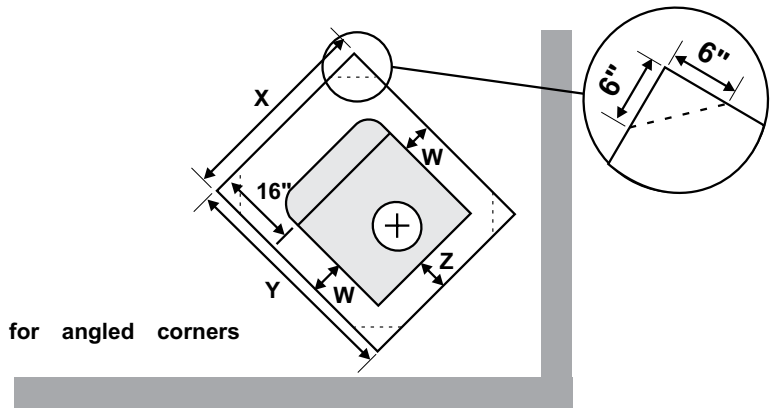
## FLOOR PROTECTION (CORNER INSTALLATION)

A combustible floor must be protected by non-combustible material (like tile, concrete board, or certified to UL-1618 or as defined by local codes) extending beneath the heater and a minimum of 8" (203mm) from each side and minimum 16" (406mm)\*\* from the front face of the stove and minimum 6" (152mm)\*\* (or the rear clearance to combustibles whichever is smaller) from the rear of the stove.

When installed with horizontal venting, non-combustible floor protection must be beneath the flue pipe and extend 2" (51mm) beyond each side.

### Minimum Overall Width (X) of Floor Protector for all installations:

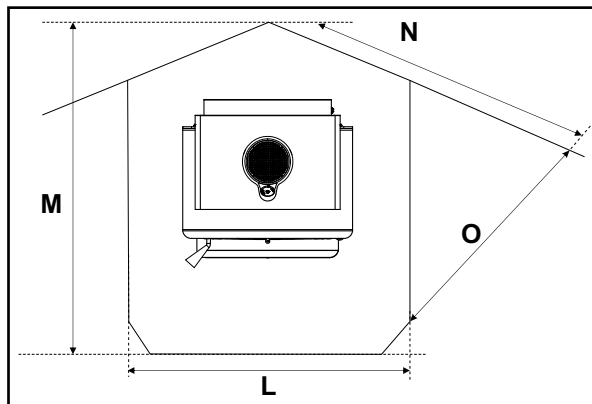
Stove F1150 33-11/16"(856mm)



**\*\*NOTE:** In Canada, floor protection must extend 18" (457mm) to the front and 8" (203mm) to back of the stove.

Minimum Overall Depth (Y) of Floor Protector			
Unit	Residential "C" Vent		From Edge of Fuel Door Opening
	Y	Z	W
F1150	Canada - 42" (1067mm) USA - 40" (1016mm)	**6" (152mm)	8" (203mm)

Minimum Overall Depth (Y) of Floor Protector - Corner Hearth Reference only when hearth pad is installed to rear wall at minimum pipe clearances.				
	Hearth Depth			
F1150	L	M	N	O
<b>Residential Installation "C" Vent (Single Wall)</b>				
Canada	33-11/16" (856mm)	57-3/16" (1453mm)	48-1/16" (1221mm)	24-1/4" (616mm)
USA	33-11/16" (856mm)	55-3/16" (1402mm)	46-11/16" (1186mm)	22-7/8" (581mm)
<b>Residential Close Clearance (To be installed with required pipe components)</b>				
Canada	33-11/16" (856mm)	51-1/2" (1308mm)	44-1/16" (1119mm)	20-1/4" (514mm)
USA	33-11/16" (856mm)	49-1/2" (1257mm)	42-11/16" (1084mm)	18-7/8" (479mm)



## MOBILE HOME INSTALLATION

**For Canadian Installations:** see Outside Air Kit - Part # 846-502.

There are further requirements when installing this unit into a mobile home in Canada Only.

Once you have properly marked the position of your unit and the floor protection as outlined in the Residential Installation items #1 through #8, a supply of fresh air has to be supplied to your unit.

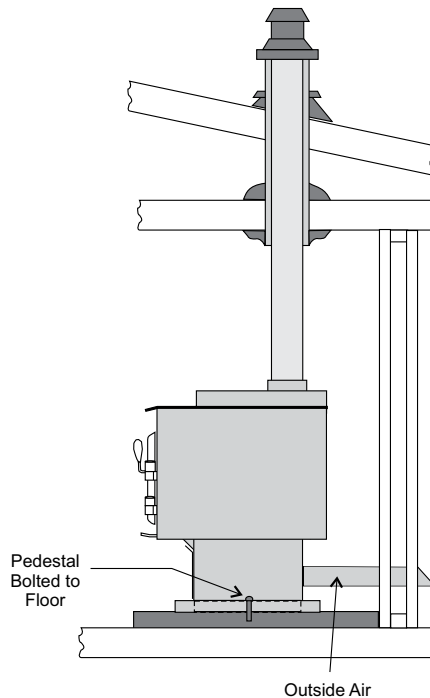
See Optional Outside Air Kit instructions in this manual.

Place your unit in position and secure it to the floor using two lag bolts 3/8" (10mm) x 3-1/2" (89mm) through the two holes inside the pedestal base. It is important to maintain the structural integrity of the Mobile Home floor, walls and roof when installing your unit.

For Mobile Home units installed in the U.S. the unit must be grounded using a #8 ground wire with approved termination and star washer.

**CAUTION: At no time use unlabelled parts, or substitute parts made for another chimney system.**

**Install as per chimney manufacturer's installation instructions.**



**WARNING: Operate only with door fully closed - open feed door to feed fire only.**

In addition to standard installation instructions the following requirements are mandatory for installation in a mobile home.

1. The stove must be permanently bolted to the floor of the Mobile Home using the floor screws provided.
2. The stove must have a permanent outside air source for combustion.
3. The stove must be electrically grounded to the steel chassis of the Mobile Home.
4. A listed double-wall connector chimney system, roof thimble, spark arrestor and roof flashing kit suitable for use in Mobile Homes must be used.
5. If the chimney exits the Mobile Home at a location other than through the roof, and exits at a point 7ft. (2130mm) or less above the ground level on which the Mobile Home is positioned a guard or method of enclosing the chimney shall be fitted at the point of exit for a height up to 7ft. (2130mm).
6. The chimney shall be attached directly to the room heater and shall extend at least 3 ft. (914mm) above the part of the roof through which it passes. The top of the chimney should project at least 2ft. (610mm) above the highest elevation of any part of the Mobile Home within 10 ft. (3048mm) of the chimney.
7. The chimney system shall comply with Local Requirements.
8. Any openings in a chimney guard where required must not permit the entrance of 3/4" (19mm) diameter rod.
9. **CAUTION: THE STRUCTURAL INTEGRITY OF THE MOBILE HOME ROOF, FLOOR, WALLS AND CEILING MUST BE MAINTAINED.**
10. Check any other local building code as other local codes may apply.
11. **WARNING: DO NOT INSTALL IN A SLEEPING ROOM OF A MOBILE HOME.**
12. Use silicone to create an effective vapour barrier at the location where the chimney or other component penetrates to the exterior of the structure.

1. Identify the position of the outside air damper by the orientation of the metal handle that rests outside the galvanized pipe. The metal handle and the damper disc are in line with each other. This means that if the metal handle is in a horizontal position, the damper is flat and fully open.
2. Open the damper fully whenever you start a fire. This will allow the outside air to be drawn in the pedestal base eliminating any potential smoke escaping the stove and entering the room. (Negative air pressure)

### MOBILE HOME KIT - FOR CANADA

Note: The optional ashdrawer cannot be used when using the Mobile Home Kit.

The Mobile Home kit contains:

- 1 Bottom metal cover - only used when air is drawn from the floor.
- 1 Flex
- 1 Collar
- 1 Mobile home box
- 1 Square transition box (used when installing bottom heat shield/ legs)
- Screws

1. Lay unit on its back. Remove two front 7/16 bolts. Loosen rear two 7/16" bolts. See diagram 1.

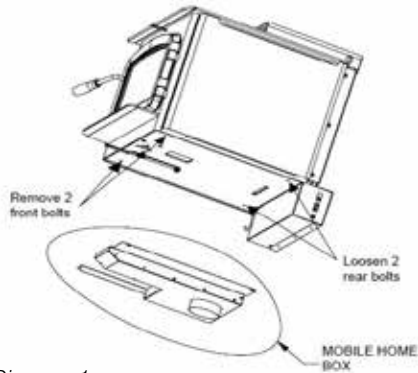


Diagram 1

2. If using outside air from the rear of the pedestal, follow instructions noted below. If using outside air from the pedestal base, follow instructions from step 10 to 16. For bottom heat shield/ legs, follow instructions from step 17 to 22. The Mobile Home Box is always mounted in between the firebox and pedestal or bottom heat shield.

3. Remove the 4" knock out from the rear pedestal.

4. Install rear collar to the rear pedestal using 4 screws.

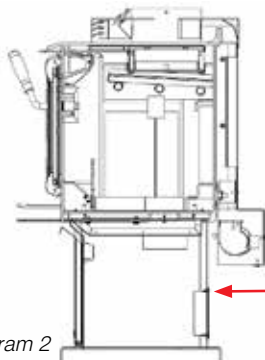


Diagram 2

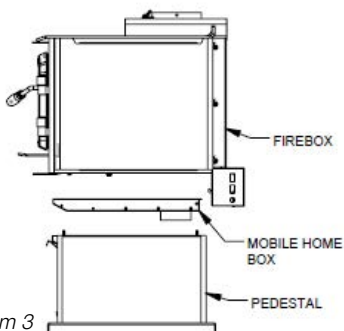


Diagram 3

5. Attach flex to rear pedestal using supplied screws or 4" clamp.
6. Bring pedestal base near the base of the firebox and secure flex to the Mobile Home box.
7. Secure pedestal base and Mobile Home Box to firebox as shown in diagram 3 using the screws that were previously removed/ loosened in step 1. See pedestal instructions. The Mobile Home Box and firebox use the same screws.

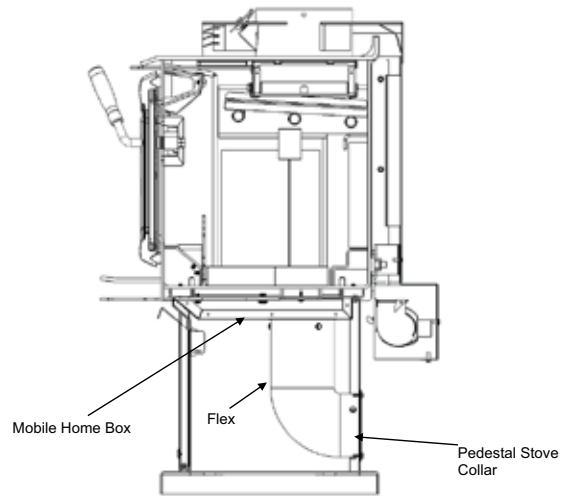


Diagram 4

8. Install blanking plate to the front of the pedestal with 4 screws.

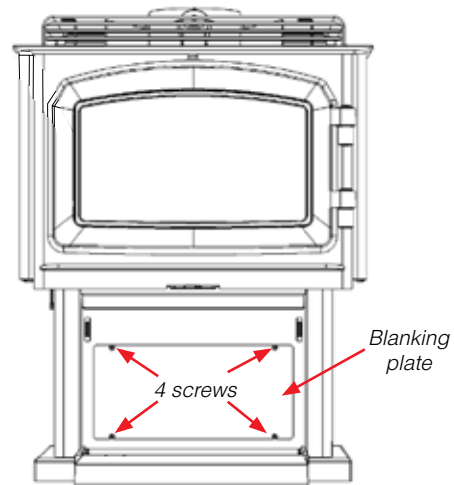
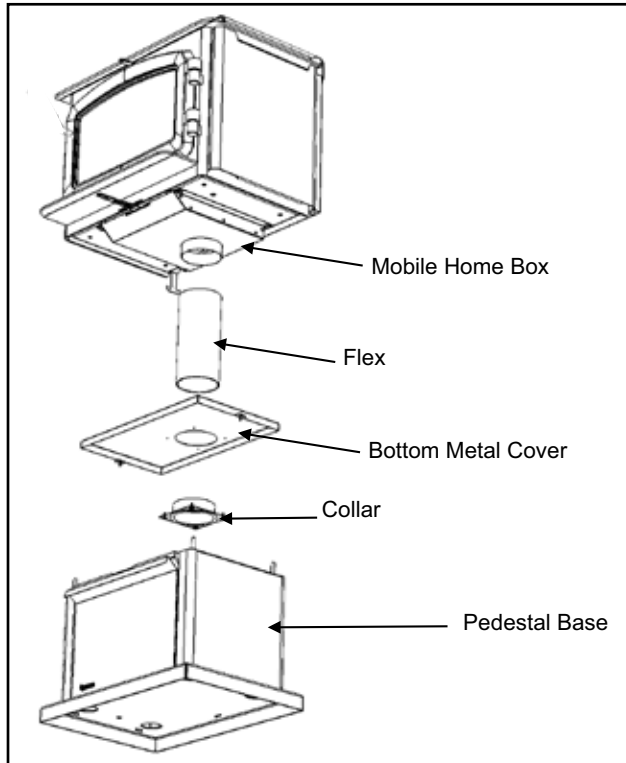


Diagram 5

9. Place unit into position and install the mandatory outside air kit. See «Mobile Home installation» section in this manual.

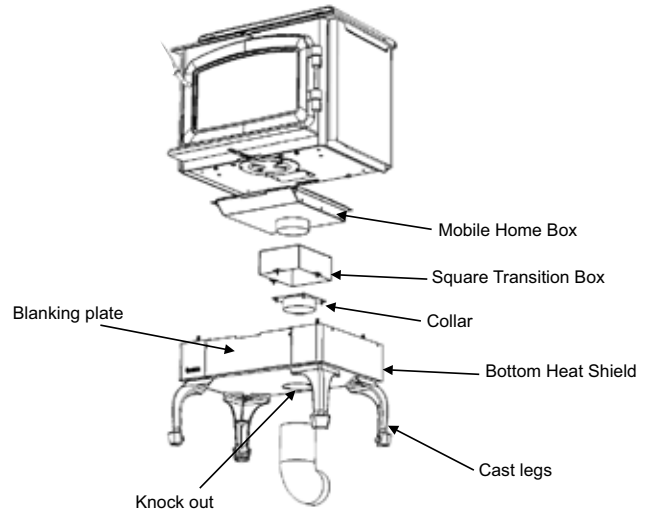
### Installing Outside Air From Pedestal Base

If installing outside air from pedestal base, do not remove knock out from rear of pedestal. This must remain in place.



10. Secure collar to base of unit with 4 screws.
11. Install bottom metal cover over collar installed in step 10 and rest cover on pedestal base.
12. Secure flex to collar with supplied screws or 4" clamp.
13. Bring pedestal base near the base of the firebox and secure flex to mobile home box with supplied screws.
14. Secure Mobile Home Box and pedestal to the firebox base using the screws that were previously removed in step 1. See pedestal instructions.
15. Install blanking plate to the front of the pedestal with 4 screws. Use picture from step 8.
16. Install the mandatory outside air kit. See «Mobile Home Installation» section in this manual. Place unit into its final position to complete install.

### Installing Outside Air Using Bottom Heat Shield/Legs



17. Remove knock out from the bottom heat shield and bend tabs left over when the knock out was removed to the side.
18. Secure collar to base of bottom heat shield as shown with 4 screws.
19. Secure transition box on top of round collar installed in step 18 and secure with 3 screws.
20. Install blanking plate if not already installed.
21. Secure Mobile Home Box and bottom heat shield. See bottom heat shield/leg instructions.
22. Install the mandatory outside air kit. See «Mobile Home Installation» section in this manual. Place unit into its final position to complete install.