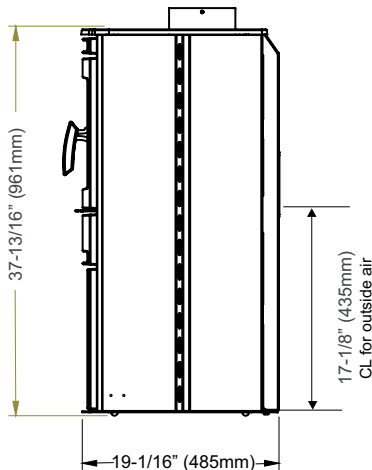
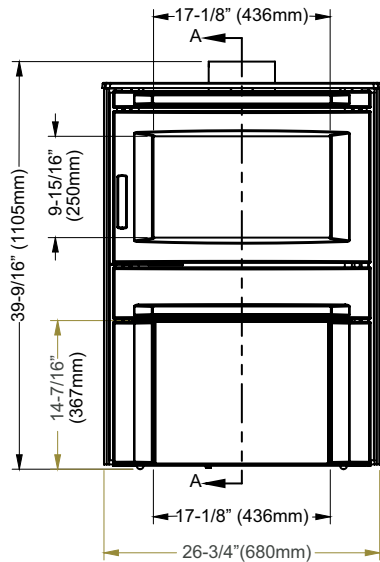
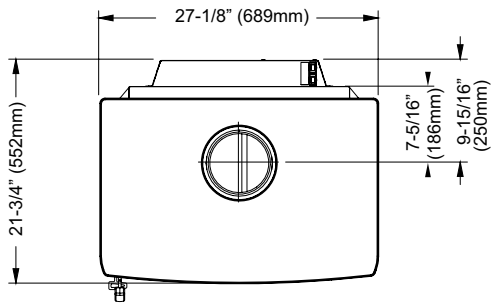


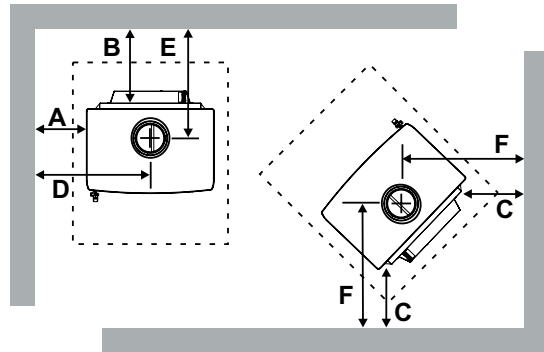
## CS1200 Small Stove

<b>Model</b>	<b>CS1200</b>
Cordwood BTU's	55,000 BTU's
Emissions (grams/hr) EPA Certified	3.0 grams/hr
Flue Size	6" (152mm)



### Minimum Clearance To Combustible Materials

Measurements "From Unit" are from the top plate of the stove to a side wall or to a corner, and from the rear heat shield to a back wall.



Residential Installation "C" Vent (Single Wall)						
Unit	From Unit		From Corner		From Flue Center-line	
	A	B	C	D	E	F
CS 1200	13"	11"	8"	26-3/8"	18.5"	20.75"

**Residential Close Clearance** (To be installed with required pipe components)  
When the stove is installed as a close clearance residential unit, a listed double wall connector is required from the stove collar to the ceiling level.

Unit	From Unit		From Corner		From Vent centerline	
	A	B	C	D	E	F
CS 1200	11"	7"	7"	24.5"	14.5"	19.75"

## Floor Protection

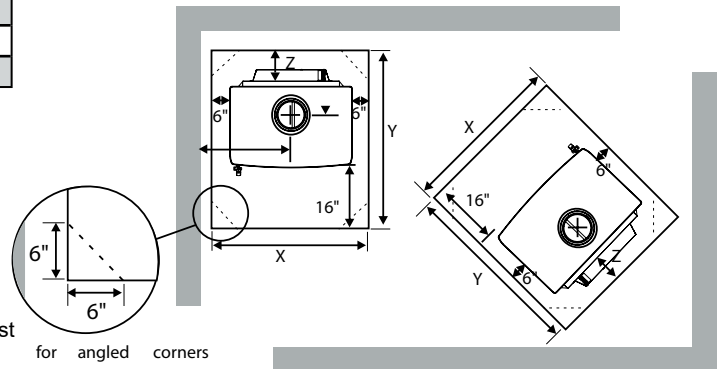
A combustible floor must be protected by a non-combustible material (like tile, concrete board, or certified to UL-1618 or as defined by local codes) extending beneath the heater and a minimum of 6" from each side and minimum 16" from the front face of the stove and minimum 6" (or the rear clearance to combustibles whichever is smaller) from the rear of the stove.

**Mobile Home Close Clearance** (To be installed with required pipe components)  
"C" Vent single wall pipe is not approved for Mobile Home installations. (Refer to mobile home instructions.)

Unit	From Unit		From Corner		From Vent centerline	
	A	B	C	D	E	F
CS 1200	11"	7"	7"	24.5"	14.5"	19.75"

### Minimum Overall Width (X) of Floor Protector for all installations:

- US 38-3/4"
- Canada 42-3/4"



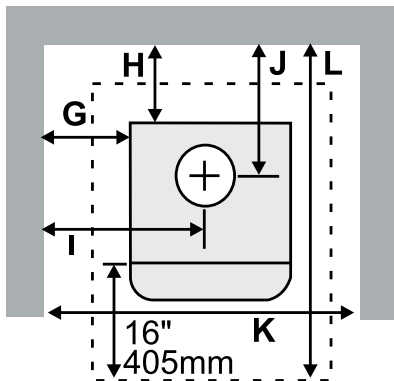
\* US measurements shown

**NOTE:** In Canada, floor protection must extend 18" to the front and 8" to each side of the stove.

## Minimum Alcove Clearance To Combustible Materials

Regency Freestanding models have been alcove approved and must be installed with a listed double wall connector to the ceiling level.

- Note: Minimum alcove ceiling height - 84"
- Maximum depth of alcove - 36"



**Minimum Overall Depth (Y) of Floor Protector**

Unit	Residential "C" Vent		Residential Close Clearance		Mobile Home Close Clearance		Alcove	
	Y	Z	Y	Z	Y	Z	Y	Z
CS1200	Y	Z	Y	Z	Y	Z	Y	Z
USA	39"	6"	39"	6"	39"	6"	39"	6"
Canada	43"	8"	43"	8"	43"	8"	43"	8"

\*The rear clearance to combustibles is less than 6" (152mm), for corner installations the rear corners may be angled to take advantage of the closer clearances.

**Minimum Alcove Clearance to Combustible Materials**

Unit	From Back Shield + Side Shields.		From Flue Center-Line		Min. Width	Min. Hearth to Rear Wall
	G	H	I	J	K	L
CS1200	11"	7"	24-1/2"	14-1/2"	49-1/8"	39-1/4"