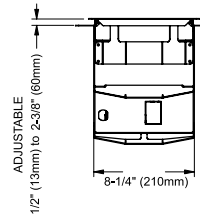
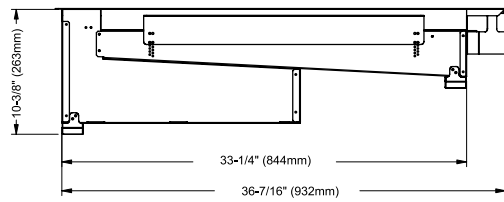
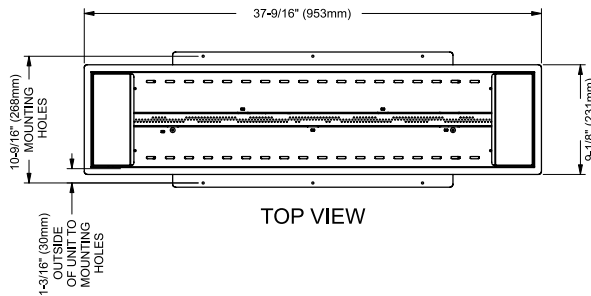


## PTO30 Outdoor Fireplace

MODEL	PTO30-NG11	PTO30-LPG11
Fuel Type	Natural Gas	Propane
Minimum Supply Pressure	5" W.C. (1.25 kPa)	11" W.C. (2.73 kPa)
Manifold Pressure - High	3.5" W.C. (0.87 kPa)	10" W.C. (2.49 kPa)
Manifold Pressure - Low	1.6" W.C. (0.40 kPa)	6.4" W.C. (1.59 kPa)
Orifice Size -Altitude 0-4500 ft	# 25 DMS	# 45 DMS
Minimum Input Altitude 0-4500 ft. (0-1372m)	30,000Btu/h (8.79 kW)	38,000 Btu/h (11.13 kW)
Maximum Input Altitude 0-4500 ft. (0-1372m)	50,000 Btu/h (14.65 kW)	49,000 Btu/h (14.36 kW)
Vent Sizing	No Vent	No Vent

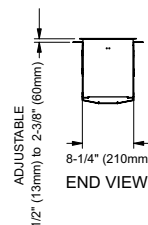
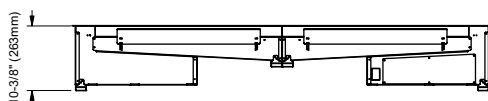
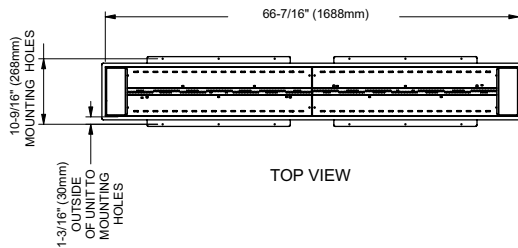


### PTO30 UNIT DIMENSIONS



### PTO60 UNIT DIMENSIONS

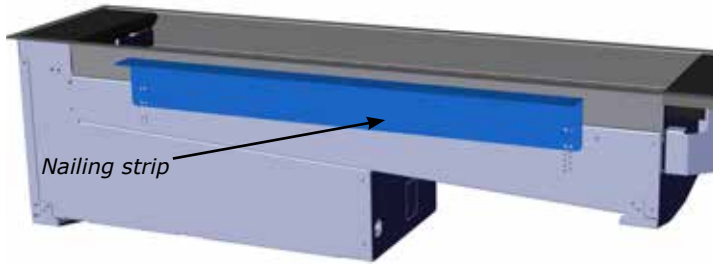
**NOTE:** PTO60 is two PTO30 units assembled end to end (see PT060 assembly for more details).



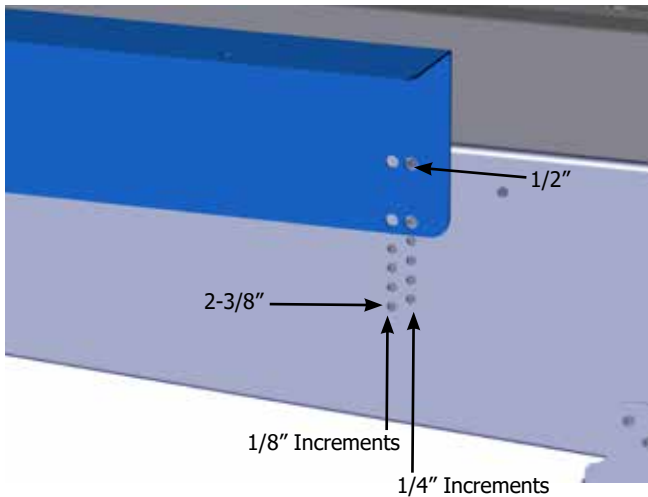
## FINISHING

Side nailing strips are adjustable for material from a minimum of 1/2" thick up to a maximum of 2-3/8" thick.

**The finishing materials cannot extend beyond the height of the burner.**

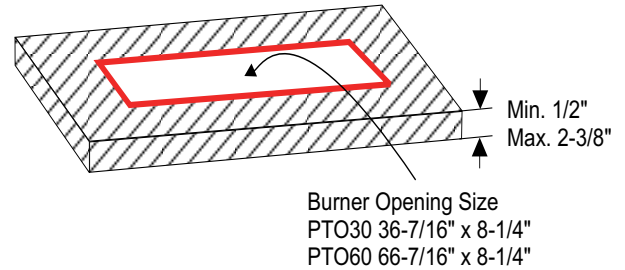


Side nailing strips are adjustable in 1/4" or 1/8" increments. Each hole on the inside line is 1/8", each hole on the outside line is 1/4". Determine the thickness of the finishing material before adjusting the nailing strips.



## FINISHING MATERIALS:

This burner is designed to be finished with non-combustible materials (ie. tile, granite, marble, brick, etc.) with a minimum thickness of 1/2" to a maximum thickness of 2-3/8".

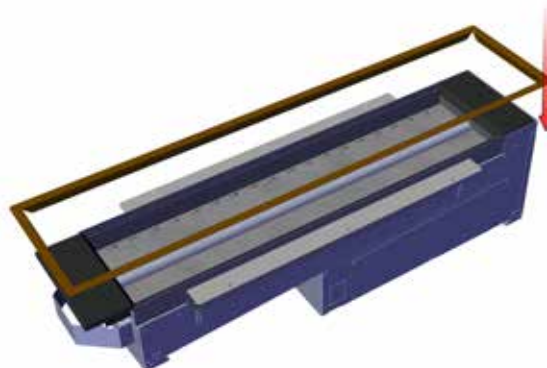


**Important Note:** Two (2) ventilation grills, (PTO30), Four (4) ventilation grills (PTO60) are required for all enclosures. This is to alleviate moisture and allow for air to circulate. Minimum recommended size : 20" sq (508 mm <sup>2</sup>) each.

## OPTIONAL FINISHING TRIM

Optional finishing trim is supplied with the PTO30 - place finishing trim on unit between unit and finishing material.

Note: If installing a PTO60 the optional trim on the PTO30 cannot be used and should be discarded. An optional trim (part number 377-957) can be purchased for the PTO60.



## MINIMUM CLEARANCES TO COMBUSTIBLES

The clearances listed below are minimum distances unless otherwise stated.

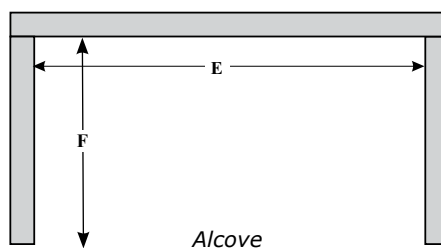
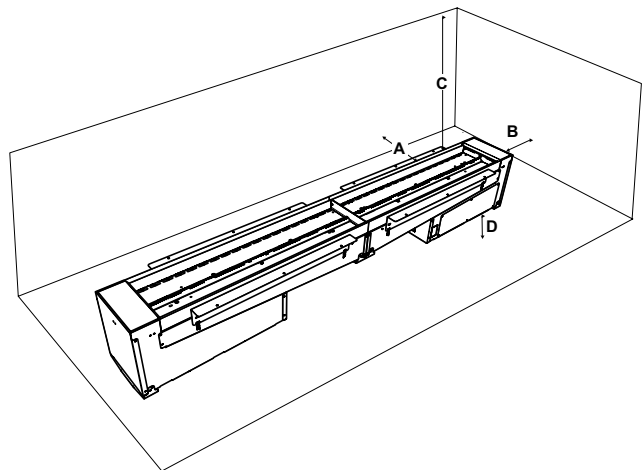
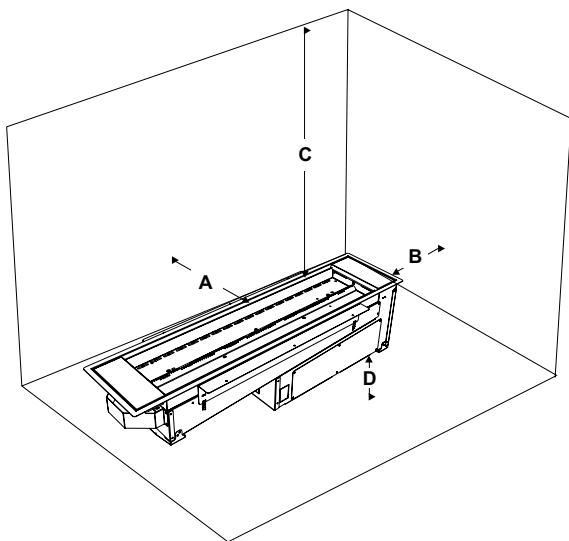
A major cause of fires is failure to maintain required clearances (air space) to combustible materials. It is of the greatest importance that this fireplace be installed only in accordance with these instructions.

**Caution Requirements**  
The top, back and sides of the fireplace are defined by standoffs. The metal ends of the standoff may **NOT** be recessed into combustible construction.

**WARNING**  
Fire hazard is an extreme risk if these clearances (air space) to combustible materials are not adhered to. It is of greatest importance that this fireplace be installed only in accordance with these instructions.

### PTO30/PT060 Clearance Requirements

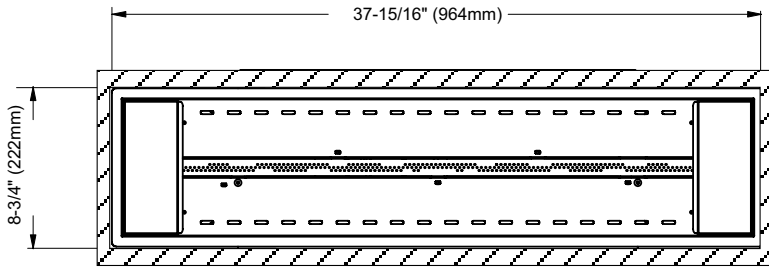
Clearances	Dimension	Measured From:
<b>A: Back wall</b>	17" (432mm)	Burner to back wall
<b>B: Sidewall</b>	17" (432mm)	Burner to sidewall
<b>C: Ceiling</b>	45" (1143mm)	Burner to Ceiling
<b>D: Unit Base</b>	1" (25mm)	Unit Base to Combustible
<b>E1: Alcove Width 30"</b> <b>E2: Alcove Width 60"</b>	84" (2134mm) 100" (2540mm)	Wall to Wall (Minimum)
<b>F: Alcove Depth</b>	60" (1524mm)	Front to Back Wall (Maximum)
<b>Notes:</b>	0"	No Hearth Required



**INNER FRAMING DIMENSIONS (REQUIRED)**

**NOTE:FRAMING MATERIAL NOT SUPPLIED**

**PTO30**

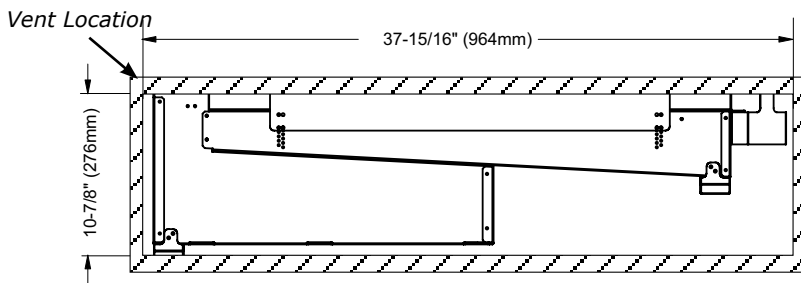


TOP VIEW

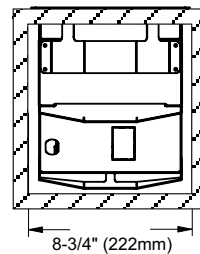
**NOTE:** Framing materials must be non-combustible when used within 4" of the unit. Combustible framing materials may be used outside the 4" clearance range.

Finishing materials **MUST** be non-combustible.

Consideration should be given to weather / elements when choosing framing materials (ie. treated lumber, steel stud).

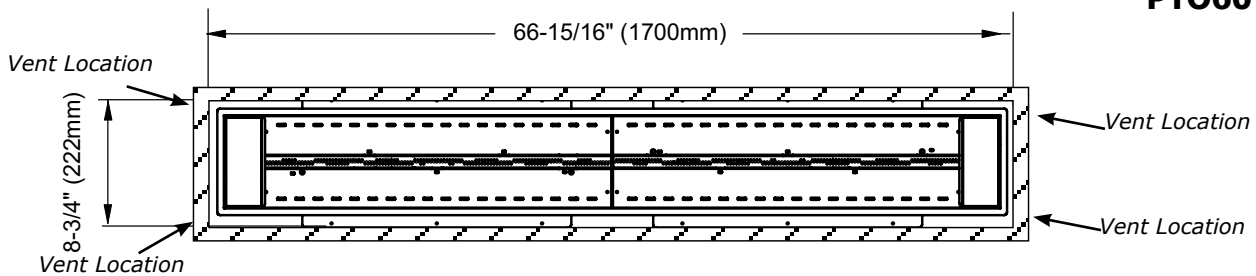


SIDE VIEW

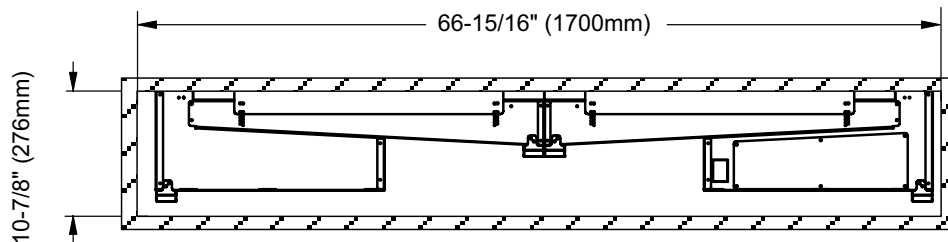


END VIEW

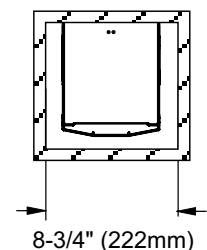
**PTO60**



TOP VIEW



SIDE VIEW



END VIEW