

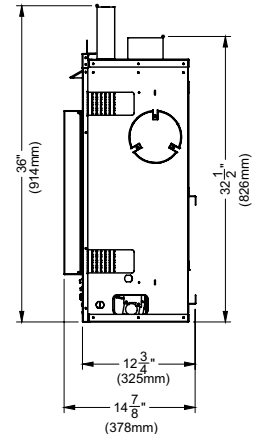
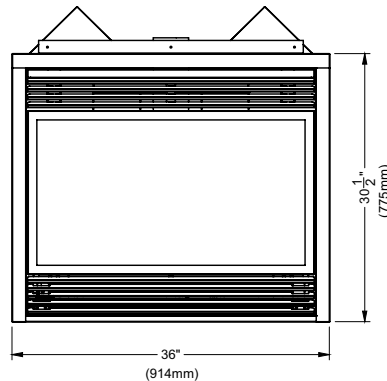
## P36 Gas Fireplace

Model	P36-NG10	P36-LP10
Fuel Type	Natural Gas	Propane
Minimum Supply Pressure	5" W.C. (1.25 kPa)	12" W.C. (3.00 kPa)
Manifold Pressure - High	3.8" W.C. (0.95 kPa)	11" W.C. (2.74 kPa)
Manifold Pressure - Low	1.1" W.C. (0.27 kPa)	2.9" W.C. (0.72 kPa)
Orifice Size Altitude 0-2000 ft. (0-610m) Altitude 2000-4500 ft. (610-1370m)	#37 DMS	#52 DMS #53 DMS
Minimum Input Altitude 0-2000 ft. (0-610m) Altitude 2000-4500 ft. (610-1370m)	15,500 BTU/h (4.54 kW)	15,000 BTU/h (3.96 kW) 12,600 BTU/h (3.69 kW/h)
Maximum Input Altitude 0-2000 ft. (0-610m) Altitude 2000-4500 ft. (610-1370m)	30,000 BTU/h (8.79 kW)	30,000 BTU/h (8.79 kW) 25,000 BTU/h (7.33 kW/h)
Vent Sizing	4" Inner / 6 5/8" Outer	4" Inner / 6 5/8" Outer

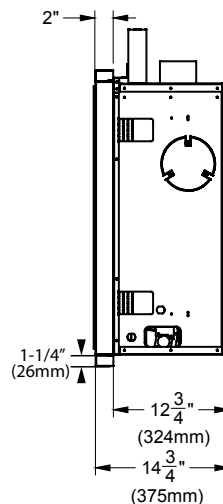
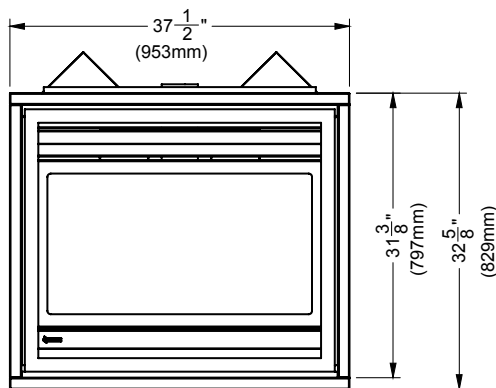


**UNIT DIMENSIONS WITH SAFETY SCREEN (#515-929) AND OPTIONAL LOUVERS**

Approved Venting Systems	
Flex Vent Systems:	FPI AstroCap™ Flex Vent
Rigid Pipe Vent Systems:	Simpson Direct Vent Pro® American Metal Products® Amerivent Direct Security Secure Vent® Selkirk Direct-Temp™ Metal-Fab® Sure Seal



### UNIT DIMENSIONS WITH VIGNETTE AND VIGNETTE FINISHING TRIM



Optional 3 sided finishing trim (not shown) 38" W x 31-1/2" H

Optional 3 sided Vignette finishing trim (not shown) 38" (965mm) W x 33-3/4" (838mm) H

## CLEARANCES

### Caution Requirements

The top, back and sides of the fireplace are defined by standoffs. The metal ends of the standoff may **NOT** be recessed into combustible construction.

### WARNING

**Fire hazard is an extreme risk if these clearances (air space) to combustible materials are not adhered to. It is of greatest importance that this fireplace and vent system be installed only in accordance with these instructions.**

The clearances listed below are Minimum distances unless otherwise stated:

**A major cause of chimney related fires is failure to maintain required clearances (air space) to combustible materials. It is of the greatest importance that this fireplace and vent system be installed only in accordance with these instructions.**

### Clearance to Combustibles from:

<b>Back</b>	0"	(0mm)
<b>Side</b>	0"	(0mm)
<b>Floor</b>	0"	(0mm)

**NOTE:** The minimum floor clearance must be maintained from the top surface of the carpeting, tile, etc.

**Minimum Clearance from Top of Unit to:**  
**Ceiling** from top of unit.  
 32" (1016mm)

**Side Wall Clearances**  
 6"\* (152mm)

\*Measured from edge of unit.

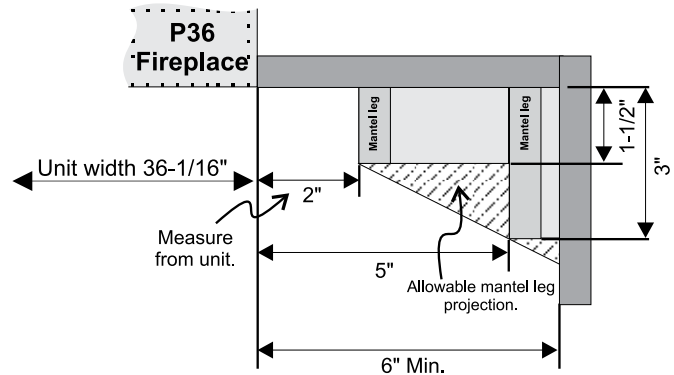
**Horizontal Vent Clearances:**  
**Top** 2"(51mm)  
**Side** 1-1/2"(38mm)  
**Bottom** 1-1/2"(38mm)

**Vertical Vent Clearances**  
 1-1/4" (32mm)

**Alcove Clearances\*\*:**  
**Max. Depth** 36" (914mm)  
**Min. Width** 48" (1219mm)  
**Min. Height** 72" (1829mm)

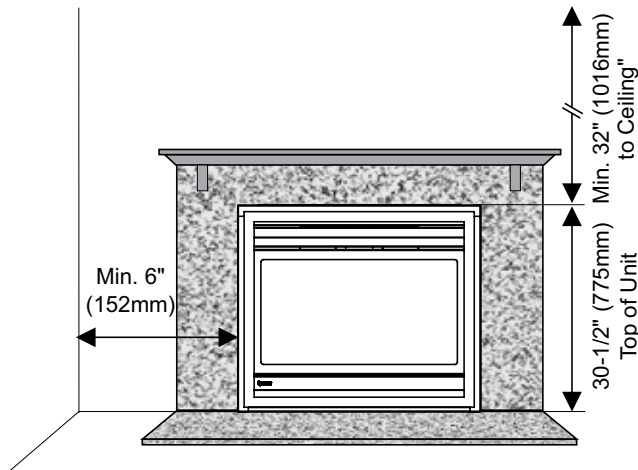
## MANTEL LEG CLEARANCES

Combustible mantel leg clearances as per diagram:  
 Maximum 1-1/2" projection at 2" minimum clearance.



**WARNING: Fire hazard is an extreme risk if these clearances are not adhered to.**

The **HeatWave** Duct Kit has different clearance and framing requirements, check the **HeatWave** manual for details.



## COMBUSTIBLE MANTEL CLEARANCES

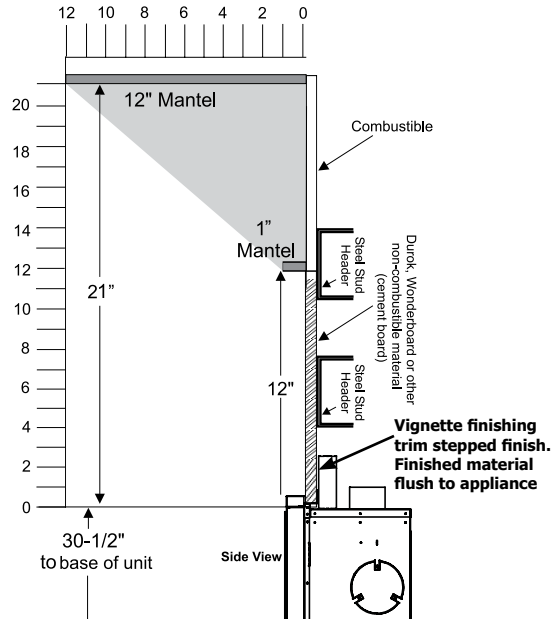
Because of the extreme heat this fireplace emits, the mantel clearances are critical.

Combustible mantel clearances from top of unit are shown in the diagram below.

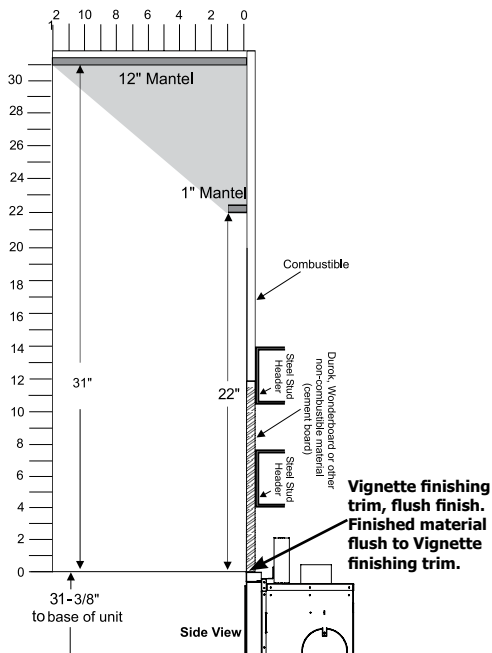
Note: Mantel starts at \*1" deep and ends at \*12" deep. **\*\*For Vignette with Vignette Finishing Trim flush finish**, all materials (framing & finishing) below the mantel and the width of the Vignette finishing trim, (37 1/2") must be non-combustible if a lower mantel is desired.

**Note: Ensure the paint that is used on the mantel and the facing is "heat resistant" or the paint may discolour.**

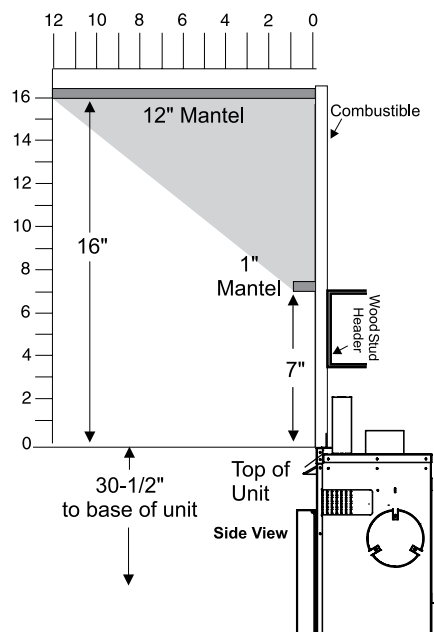
### MANTEL CLEARANCES WITH VIGNETTE + VIGNETTE FINISHING TRIM STEPPED FINISH



### MANTEL CLEARANCES WITH VIGNETTE + VIGNETTE FINISHING TRIM FLUSH FINISH

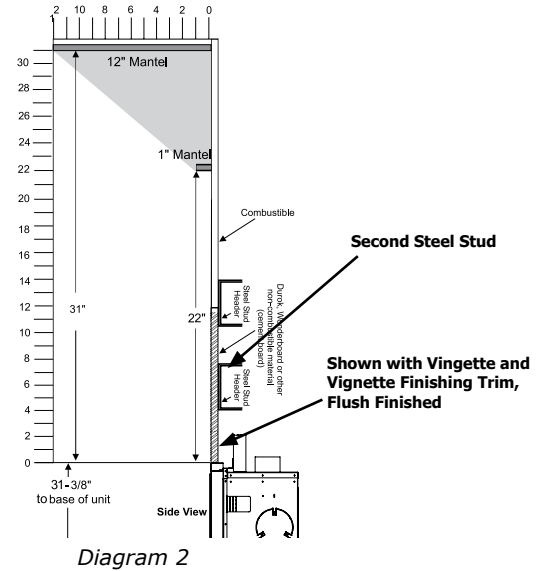
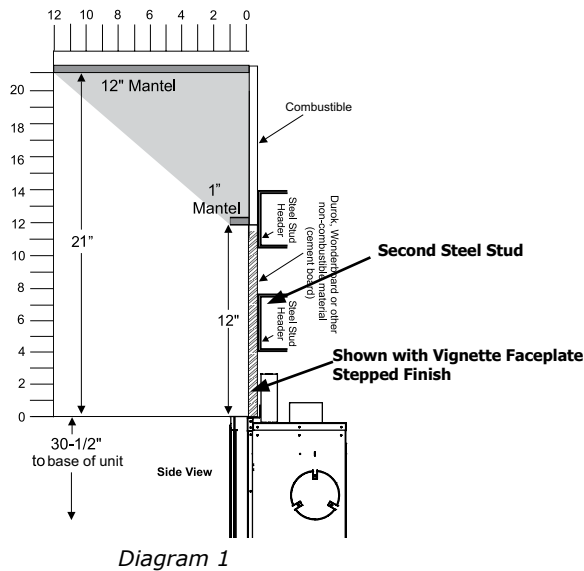


### MANTEL CLEARANCES WITH SAFETY SCREEN AND LOUVERS



## FRAMING

- 1) Determine the total thickness of facing material (e.g. non combustible plus ceramic tiles) to allow the finished surface to be flush with the front of the unit. Total facing thickness can vary from 1/2" (13mm) to 1-1/4" (32mm) thick with Vignette only, Vignette + Vignette Finishing Trim Stepped Finish and Safety Screen and Louvers. When installing the Vignette + Vignette Finishing Trim Flush Finish the facing thickness is up to maximum of 3".
- 2) Add a second steel stud at midpoint for ease of installation/securing the non combustible board. See Diagrams 1 & 2.



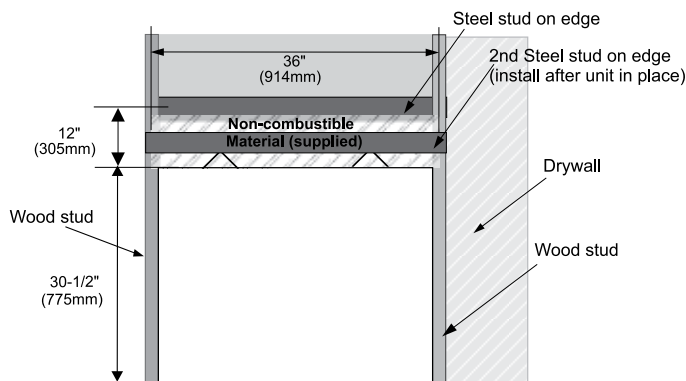
**Note:** Secure the non-combustible board (supplied) directly above the unit as shown. Install a steel stud directly above the unit as shown to secure the non-combustible material.

**Install Side Nailing Strips, Top Facing Support, and Top Standoffs before unit is slipped into position. See the "Unit Assembly Prior to Installation" section for assembly details.**

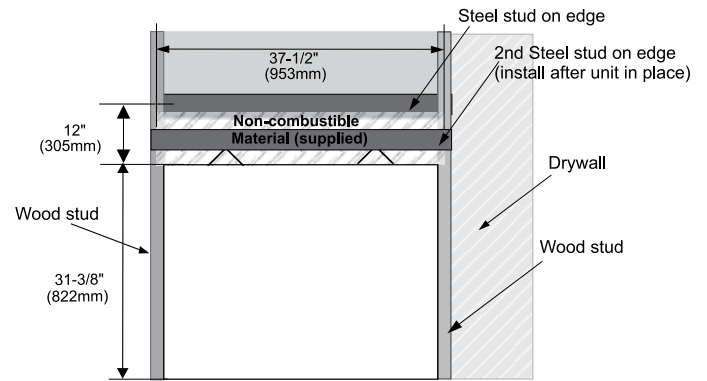
- 3) For exterior walls, insulate the enclosure to the same degree as the rest of the house, apply vapour barrier and drywall, as per local installation codes. **(Do not insulate the fireplace itself.)**

- 4) The top of the unit must not be closer than 32" (813mm) to the ceiling.

### Non-combustible Vignette + Vignette Finishing Trim Stepped Finish



### Vignette + Vignette Finishing Trim Flush Finished



**NOTE:** If using flush louvers and safety screen the steel studs and non-combustible material are not required. Wood studs and drywall may be used. See framing and finishing for details.

The non combustible board which is included with the Vignette finishing trim is 37-1/2 inches W (953 mm) x 12 inches high (305 mm) x 1/2 (13mm) inch thick. This board will need to be cut to size if choosing the stepped finish option as the board only needs to be 36 inches (914 mm) wide.

### FRAMING WITH VIGNETTE FACEPLATE/VIGNETTE FINISHING TRIM, STEPPED FINISH

Frame in the enclosure for the unit with framing material. The framed opening is 40-3/4" high x 36-1/4" wide x 12-3/4" deep (1036mm high x 921mm wide x 324mm deep).

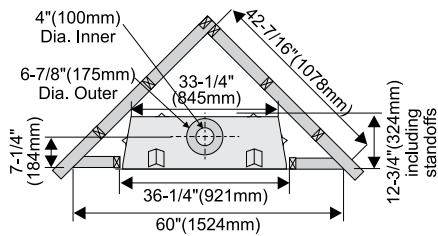


Diagram 1

### FRAMING WITH VIGNETTE FACEPLATE & FINISHING TRIM FINISHED FLUSH

Frame in the enclosure for the unit with framing material. The framed opening is 41-5/8" high x 38" wide x 14-3/4" deep (1057mm high x 965mm wide x 375mm deep).

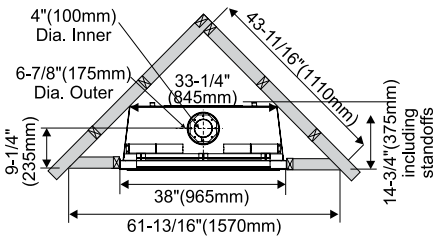


Diagram 3

### FRAMING WITH LOUVERS AND SAFETY SCREEN

Frame in the enclosure for the unit with framing material. The framed opening is 36-1/4" high x 36-1/4" wide x 12-3/4" deep (921mm high x 921mm wide x 324mm deep).

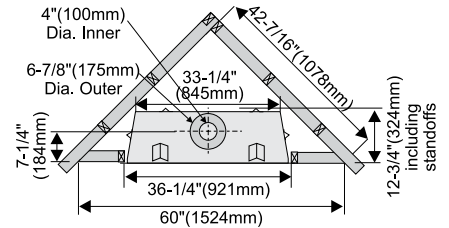


Diagram 5

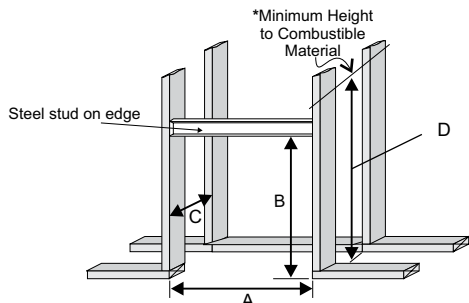


Diagram 2

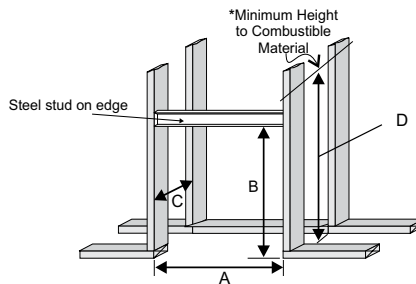


Diagram 4

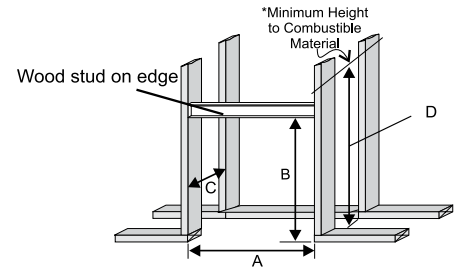


Diagram 6

All other framing may be of combustible materials, i.e. 2 x 4, 2 x 6

Vignette Framing Dimensions			
A	B	C	D
36-1/4"	40-3/4"	12-3/4"	46"*
921mm	1036mm	324mm	1168mm*
* 'D' is Minimum height to combustible materials including the Minimum 2" (51mm) Top clearance to the Horizontal Vent.			

All other framing may be of combustible materials, i.e. 2 x 4, 2 x 6

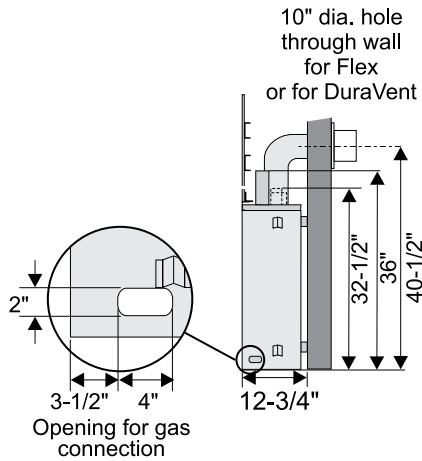
Vignette + Finishing Trim - Flush Finish Framing Dimensions			
A	B	C	D
38"	41-5/8"	14-3/4"	46"*
965mm	1057mm	375mm	1168mm*
* 'D' is Minimum height to combustible materials including the Minimum 2" (51mm) Top clearance to the Horizontal Vent.			

Safety Screen + Louvers Framing Dimensions			
A	B	C	D
36-1/4"	36-1/4"	12-3/4"	46"*
921mm	921mm	324mm	1168mm*
* 'D' is Minimum height to combustible materials including the Minimum 2" (51mm) Top clearance to the Horizontal Vent.			

**NOTE:** If using the optional Vignette finishing trim, this can be installed as a 3-sided or 4 sided finish trim. If choosing to use this as a 4 sided finish trim the framing would need to be increased by 1-1/4" inches minimum in order for this to fit. This must be to the finished floor. (Eg: Diagram 2 B= 40-3/4" framing height + 1-1/4". Bottom of 4-sided finishing trim +1/2" thick finished floor = 42-1/2".

**If choosing to finish this appliance as a flush finish (Diagram 4) when using the Vignette along with the Vignette finishing trim, see installation instructions in this manual for details on installation, framing and finishing.**

## FINISHING



**Note:** 40-1/2" (1029mm) is the minimum height for both flex termination or rigid pipe venting.

**Note:** The unit does not have to be completely enclosed in a chase. The clearance on top of the unit is 0" to the standoffs so combustible building materials can be laid directly on top of the standoffs. You must maintain 1-1/2" (38mm) clearance from the vent to combustible materials for flex (1-1/4" for Rigid Pipe).

Use steel studs for framing where the 1-1/2" (38mm) clearance from the vent to combustible material cannot be maintained, e.g. front top header.

### IMPORTANT FINISHING DETAIL NOTE:

Before placing unit into final position - it is important to know the total thickness / height of finished hearth (tile, carpet, etc.) The base of the fireplace should be level or higher than the finished hearth height.

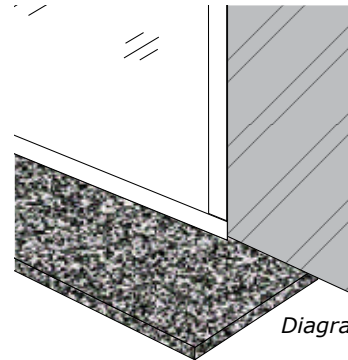


Diagram 1

**Note:** All non-combustible and combustible facing material should butt up cleanly to the flanges around the firebox opening.

Rough edges will be visible from the front view with the Vignette faceplate - if not using the optional finishing trim.

To maintain a clean finished edge - it is recommended to install the combustible facing material with the finished edge against the fireplace / nailing strips.

Alternatively, you can use J Style Trim or Metal Corner Bead to cover cut edges of the non-combustible facing material.

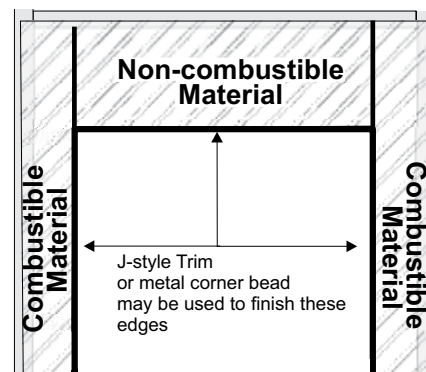


Diagram 2

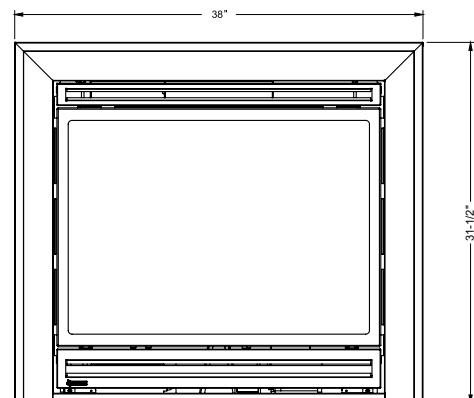


Diagram 3 - Shown with optional finishing trim

## VENTING INTRODUCTION

The P36-10 uses the "balanced flue" technology Co-Axial system. The inner liner vents products of combustion to the outside while the outer liner draws outside combustion air into the combustion chamber thereby eliminating the need to use heated room air for combustion and losing warm room air up the chimney.

**Note: These flue pipes must not be connected to any other appliance.**

The gas appliance and vent system must be vented directly to the outside of the building, and never be attached to a chimney serving a separate solid fuel or gas burning appliance. Each direct vent gas appliance must use its own separate vent system. Common vent systems are prohibited.

## VENTING DIRECT VENT SYSTEM (FLEX) HORIZONTAL TERMINATIONS ONLY

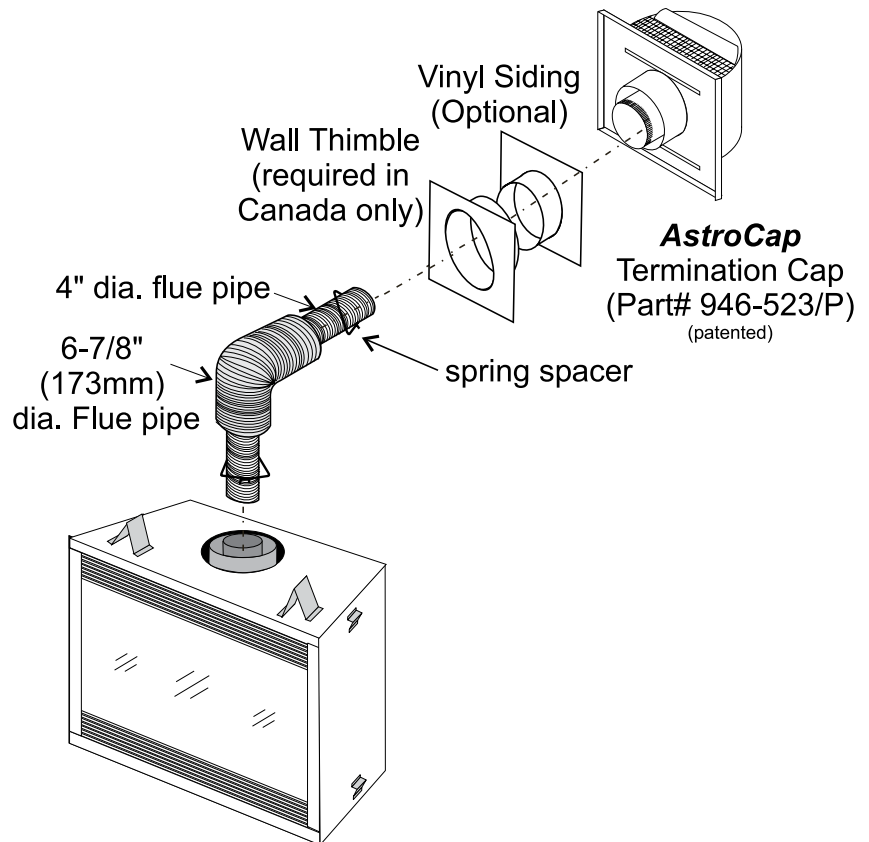
These venting systems, in combination with the P36 Direct Vent Gas Fireplace, have been tested and listed as a direct vent heater system by Warnock Hersey. The location of the termination cap must conform to the requirements in the Vent Terminal Locations diagram in the "Exterior Vent Termination Locations" section.

**Regency Direct Vent (Flex) System Termination Kit (Part # 946-515) includes all the parts needed to install the P36 with a maximum run of 4 feet.**

1)	6-7/8" dia. flexible liner (4 ft. length)
2)	4" dia. flexible liner (4 ft. length)
3)	spring spacers (4)
4)	thimble (2)
5)	<b>AstroCap</b> termination cap (1)
6)	screws (12)
7)	tube of Mill Pac (1)
8)	plated screws (8)
9)	screws #8 x 1-1/2" Drill Point, Stainless Steel (4)

**If longer runs are needed, the Regency Direct Vent system (Flex) # 946-516 includes all the parts needed to install the P36 with a maximum 10' run.**

1)	6-7/8" dia. flexible liner (10 ft. length)
2)	4" dia. flexible liner (10 ft. length)
3)	spring spacers (7)
4)	thimble (2)
5)	<b>AstroCap</b> termination cap (1)
6)	screws (12)
7)	tube of Mill Pac (1)
8)	plated screws (8)
9)	screws #8 x 1-1/2" Drill Point, Stainless Steel (4)



**Notes:**

- 1) Liner sections should be continuous without any joints or seams.
- 2) Only Flex pipe purchased from Regencymay be used for Flex installations.
- 3) If you are installing the P36 into a Regency Cabinet Mantel Kit, use the minimum horizontal vent height (centre-line of 40-1/2"). Remember to include the mantel base (3" in height) in your calculations and to maintain the 2" clearance to the underside of the mantel top.

## RIGID PIPE VENTING SYSTEMS

### Horizontal or Vertical Terminations

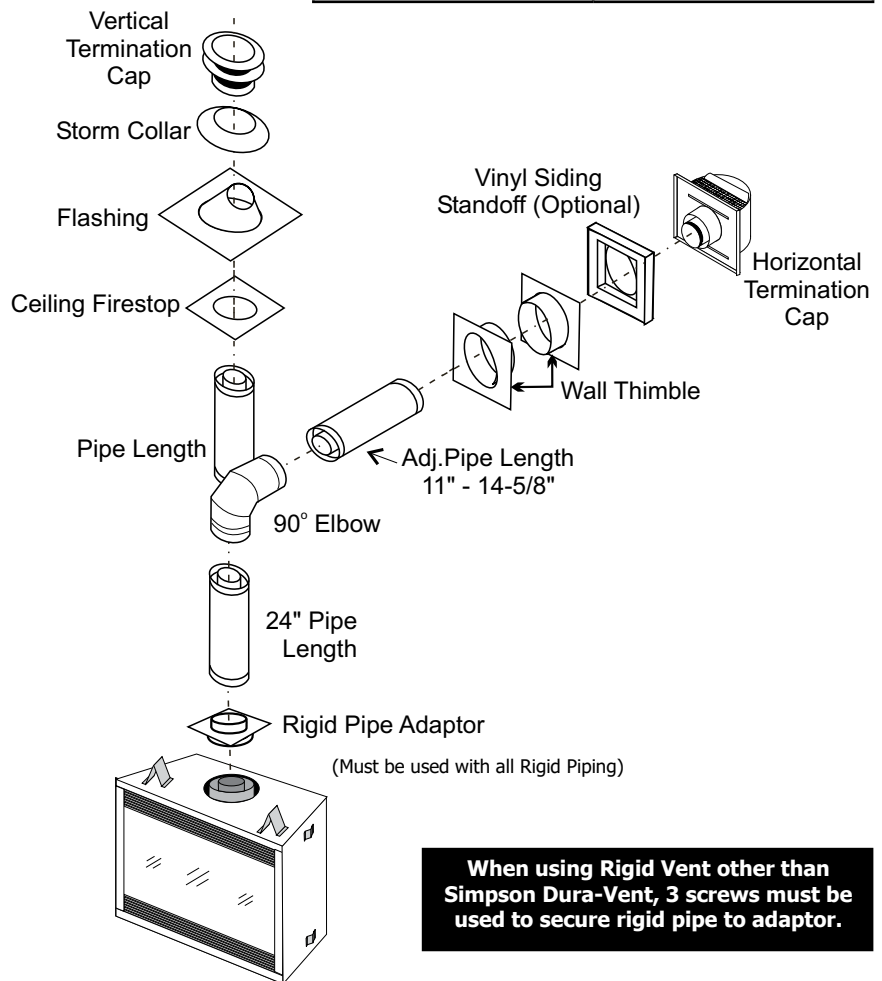
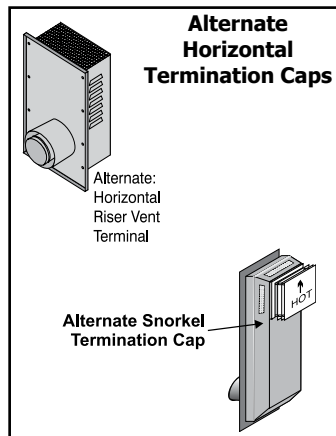
The minimum components required for a basic horizontal termination are:

- 1 Horizontal Termination Cap
- 1 90° Elbow
- 1 Rigid Pipe Adaptor
- 1 Wall Thimble
- 1 Length of pipe to suit wall thickness (see chart)

Wall thickness is measured from the back standoffs to the inside mounting surface of termination cap. For siding other than vinyl furring strips may be used, instead of the vinyl siding standoff, to create a level surface to mount the vent terminal. The Terminal must not be recessed into siding. Measure the wall thickness including furring strips.

If a Vinyl Siding Standoff is required (it must be used with vinyl siding), measure to outside surface of wall without siding and add 2 inches.

Flat Wall Installation	
Wall Thickness (inches)	Vent Length Required (inches)
4" - 5-1/2"	6"
7" - 8-1/2"	9"
10" - 1-1/2"	12"
9" - 14-1/2"	11" - 14-5/8" Adj. Pipe
15" - 23-1/2"	17" - 24" Adj.
Corner Installation	
Wall Thickness (inches)	Vent Length Required (inches)
3-1/4" - 6-3/4"	11" - 14-5/8" Adj. Pipe
7-3/4" - 16-1/4"	17" - 24" Adj. Pipe
7-1/4" - 8-3/4"	6" + 12" 9" + 9"
4-1/4" - 5-3/4"	6" + 9"



#### WARNING:

Do not combine venting components from different venting systems.

However use of the the AstroCap™ and Regency Riser is acceptable with all systems.

This product has been evaluated by Intertek when using a rigid pipe adaptor and use of any of the specific chimney systems listed in this manual. Use of these systems with the rigid pipe adaptor is deemed acceptable and does not affect the Intertek WHI listing of these components.

**When using Rigid Vent other than Simpson Dura-Vent, 3 screws must be used to secure rigid pipe to adaptor.**

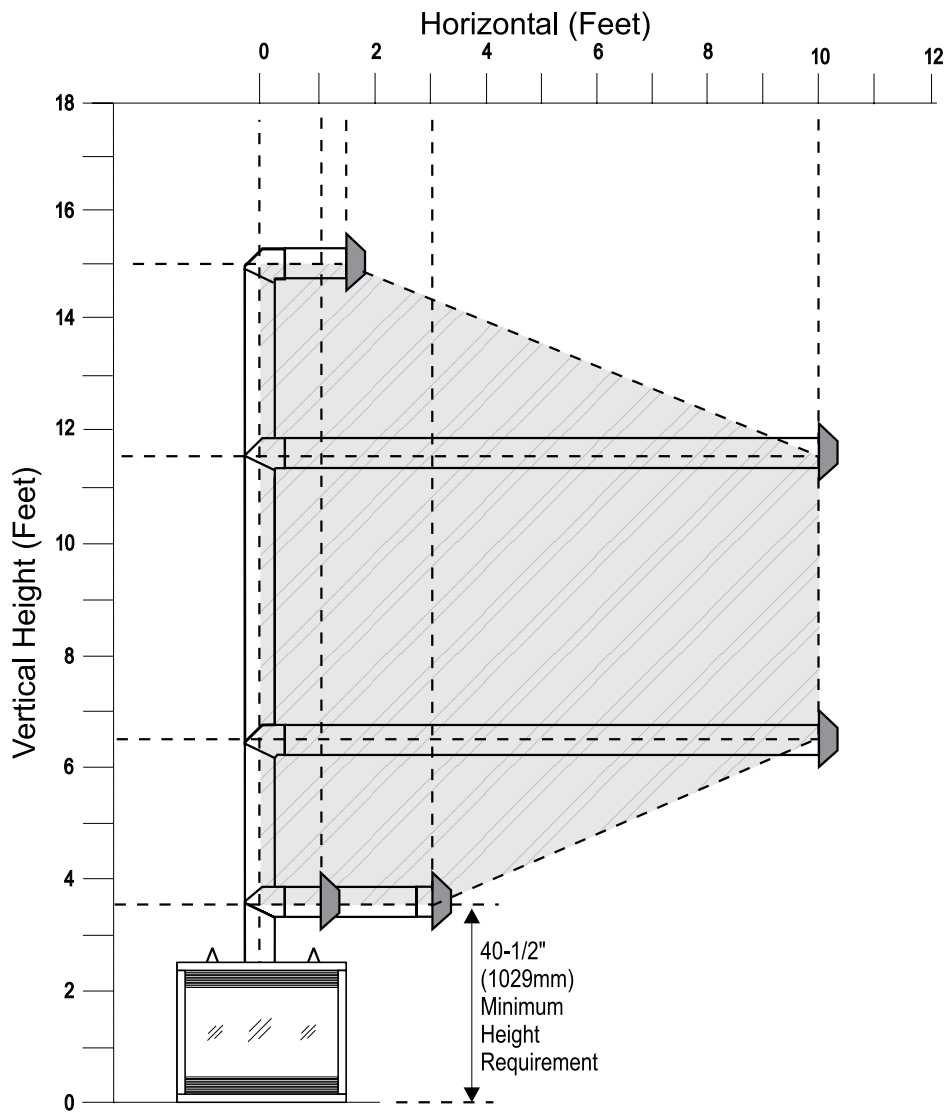
The Regency AstroCap™ and Regency Riser Vent terminal are certified for installations using Regency venting systems as well as any specific chimney systems listed in this manual. AstroCap™ is a proprietary trademark of Regency Fireplace Products.



## RIGID PIPE VENTING ARRANGEMENTS HORIZONTAL TERMINATIONS *REGENCY DIRECT VENT SYSTEM (FLEX) (Propane & Natural Gas)*

The diagram shows all allowable combinations of vertical runs with horizontal terminations, using one 90° elbow (two 45° elbows equal one 90° elbow).

**Note: Must use optional rigid pipe adaptor (Part # 510-994) when using Rigid Pipe venting systems.**



**All Rigid Pipe Systems**  
4" inner diameter  
6-5/8" outer diameter

**RegencyFlex Vent**  
4" inner diameter  
6-7/8" inner diameter

A vent guard should be used whenever the termination is lower than the specified minimum or as per local codes.

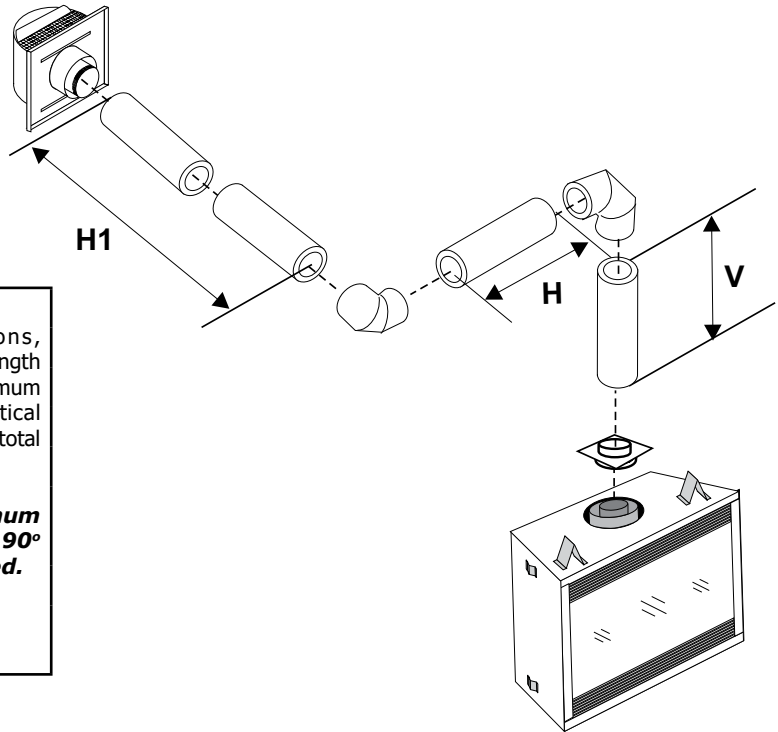
**Note: RegencyDirect Vent System (Flex Part #'s 946-515, 946-516) is only approved for horizontal terminations.**

- Maintain clearances to combustibles.
- Horizontal vent must be supported every 3 feet.
- Firestops are required at each floor level and whenever passing through a wall.

## Horizontal Venting with Two (2) 90° Elbows

**One 90° elbow = Two 45° elbows.**

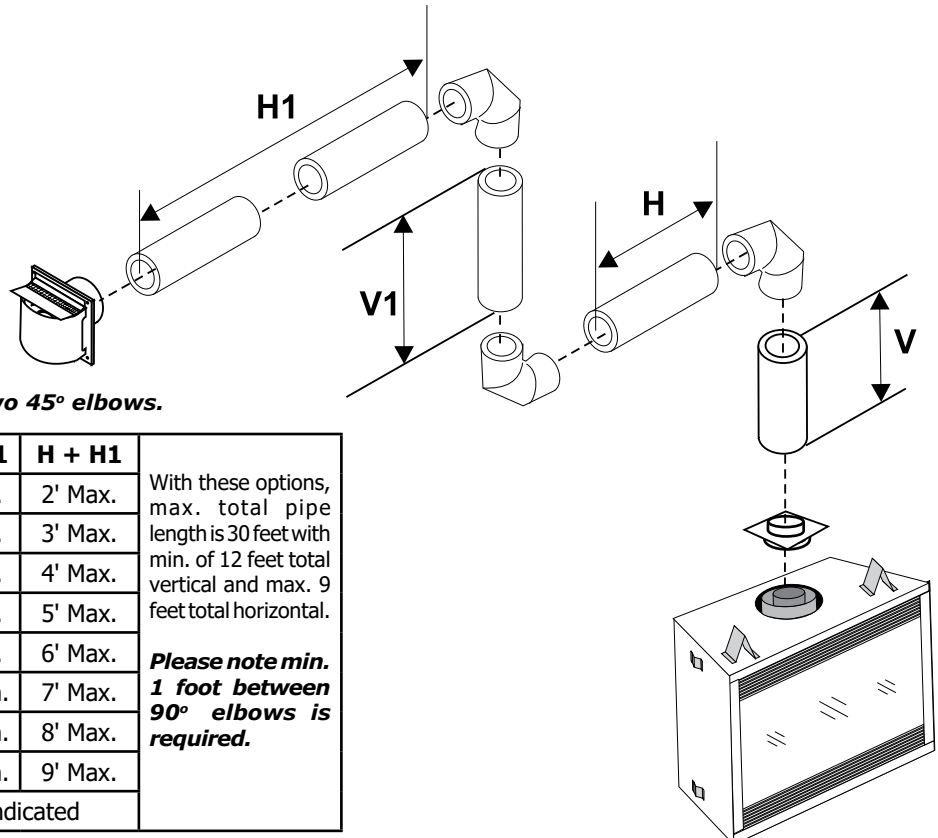
Option	V	H + H1	With these options, maximum total pipe length is 30 feet with minimum of 6 feet total vertical and maximum 8 feet total horizontal.  <b>Please note minimum 1 foot between 90° elbows is required.</b>
A)	0' Min.	2' Max.	
B)	1' Min.	3' Max.	
C)	2' Min.	4' Max.	
D)	3' Min.	5' Max.	
E)	4' Min.	6' Max.	
F)	5' Min.	7' Max.	
G)	6' Min.	8' Max.	
Lengths do not include elbow indicated			



## Horizontal Venting with Three (3) 90° Elbows

**One 90° elbow = Two 45° elbows.**

Option	V	H	V + V1	H + H1	With these options, max. total pipe length is 30 feet with min. of 12 feet total vertical and max. 9 feet total horizontal.  <b>Please note min. 1 foot between 90° elbows is required.</b>
A)	0' Min.	1' Max.	1' Min.	2' Max.	
B)	1' Min.	2' Max.	3' Min.	3' Max.	
C)	2' Min.	2' Max.	5' Min.	4' Max.	
D)	3' Min.	2' Max.	7' Min.	5' Max.	
E)	4' Min.	3' Max.	9' Min.	6' Max.	
F)	5' Min.	4' Max.	10' Min.	7' Max.	
G)	6' Min.	5' Max.	11' Min.	8' Max.	
H)	7' Min.	6' Max.	12' Min.	9' Max.	
Lengths do not include elbow indicated					



## RIGID PIPE VENTING ARRANGEMENTS

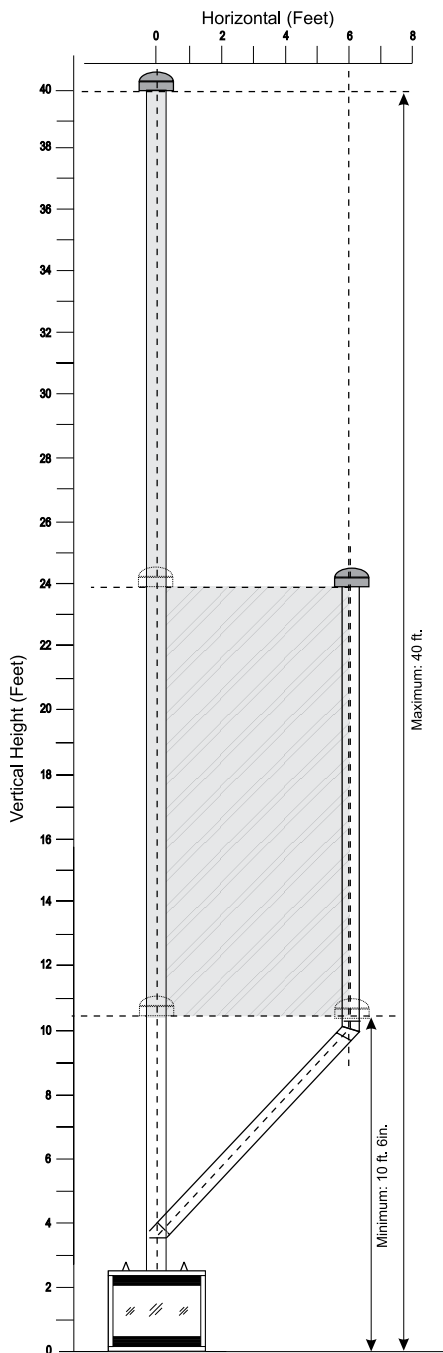
### VERTICAL TERMINATIONS (Propane & Natural Gas)

The shaded area in the diagram shows all allowable combinations of straight vertical and offset to vertical terminations, using two 90° elbow, with **Rigid Pipe** vent systems for Propane and Natural Gas.

The P36 is approved for a 40 ft. straight vertical, with **rigid pipe** vent systems for Propane and Natural Gas, as per the diagram 1.

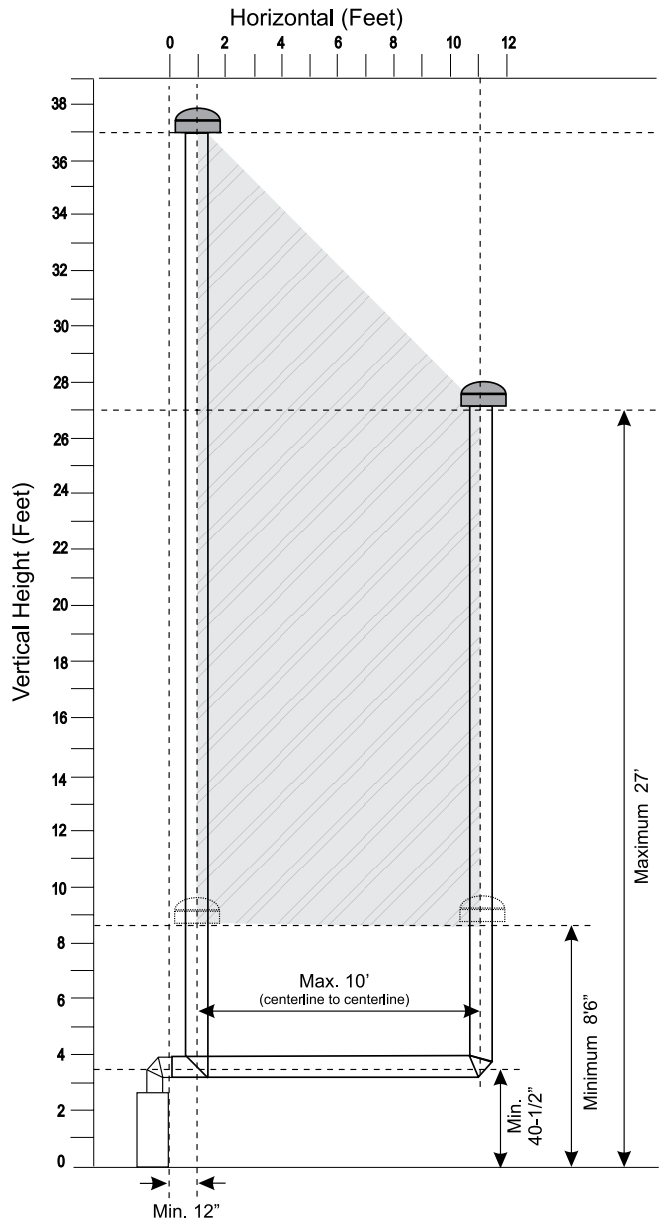
The shaded area in the diagram 1 shows all allowable combinations of straight vertical and offset to vertical terminations with **rigid pipe** vent systems for Propane and Natural Gas. Maximum two 45° elbows allowed.

- Vent must be supported at offsets.
- Firestops are required at each floor level and whenever passing through a wall.
- Maintain clearances to combustibles.

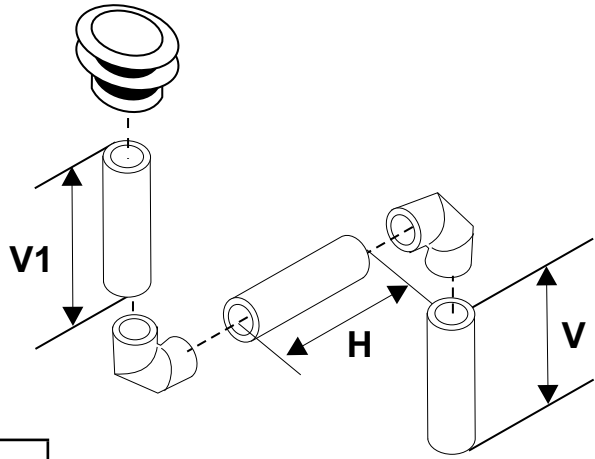


- Vent must be supported at offsets.
- Firestops are required at each floor level and whenever passing through a wall.
- Maintain clearances to combustibles.

**Note: Must use optional rigid pipe adaptor when using rigid vent systems (Part # 510-994).**

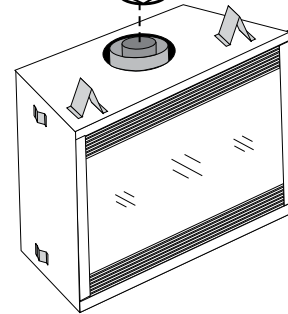


## Vertical Venting with Two (2) 90° Elbows

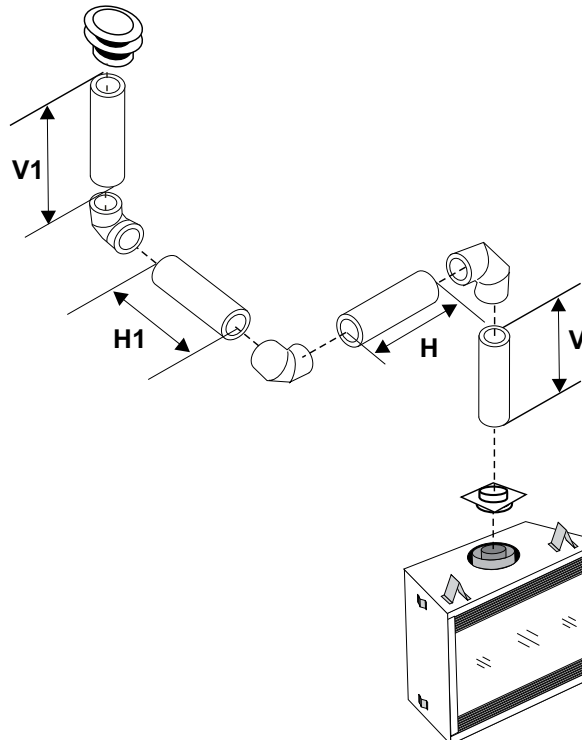


*One 90° elbow = Two 45° elbows.*

Option	V	H	V + V1	With these options, max. total pipe length is 30 feet with min. of 6 feet total vertical and max. 8 feet total horizontal.  <b>Please note min. 1 foot between 90° elbows is required.</b>
A)	0' Min.	2' Max.	1' Min.	
B)	1' Min.	4' Max.	2' Min.	
C)	2' Min.	5' Max.	3' Min.	
D)	3' Min.	6' Max.	4' Min.	
E)	4' Min.	7' Max.	5' Min.	
F)	5' Min.	8' Max.	6' Min.	
Lengths do not include elbow indicated				
For additional vertical venting with 2 x 90° elbows, refer to next page.				



## Vertical Venting with Three (3) 90° Elbows



*One 90° elbow = Two 45° elbows.*

Option	V	H + H1	V + V1	With these options, max. total pipe length is 30 feet with min. of 10 feet total vertical and max. 8 feet total horizontal.  <b>Please note min. 1 foot between 90° elbows is required.</b>
A)	0' Min.	2' Max.	2' Min.	
B)	1' Min.	2' Max.	3' Min.	
C)	2' Min.	3' Max.	4' Min.	
D)	3' Min.	4' Max.	6' Min.	
E)	4' Min.	5' Max.	7' Min.	
F)	5' Min.	6' Max.	8' Min.	
G)	6' Min.	7' Max.	9' Min.	
H)	7' Min.	8' Max.	10' Min.	
Lengths do not include elbow indicated				

## VERTICAL TERMINATION - CO-LINEAR FLEX SYSTEM INTO A MASONRY CHIMNEY

**THE APPLIANCE MUST NOT BE CONNECTED TO A CHIMNEY FLUE SERVING A SEPARATE SOLID FUEL BURNING APPLIANCE.**

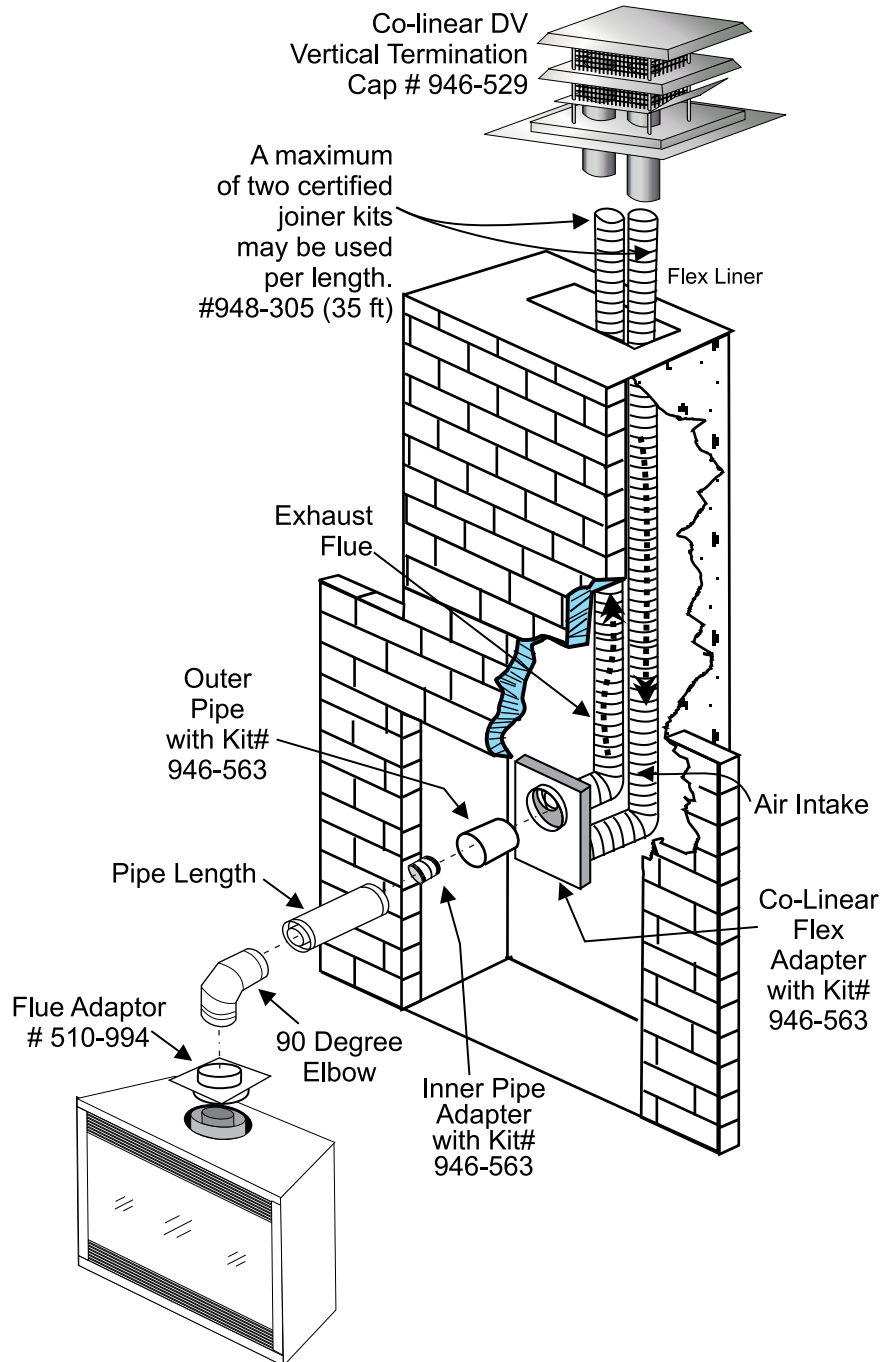
This appliance is designed to be attached to two 3" (76mm) co-linear aluminium flex running the full length of the chimney. See the "Venting Arrangements" section for minimum and maximum heights.

Masonry chimneys may take various contours which the flexible liner will accommodate. However, **keep the flexible liner as straight as possible**, avoid unnecessary bending.

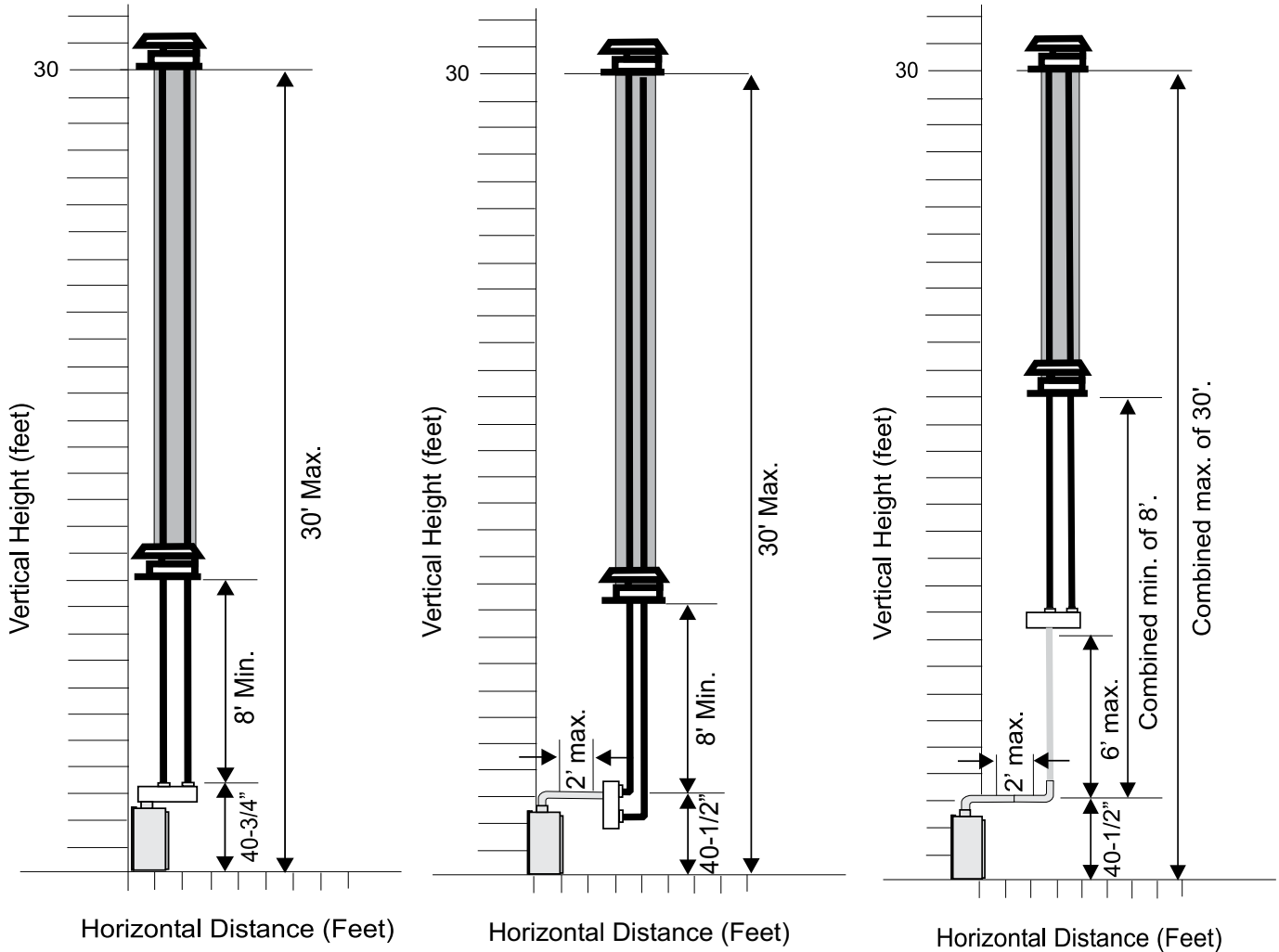
Required Parts:	
Part #	Description
946-529	Co-linear DV Vertical Termination Cap
948-305	3" Flex - 35 ft.
946-563	Co-Axial to Co-Linear Adapter Kit which contains the following: Co-linear Flex Adapter Outer Pipe Inner Pipe Adapter Flue Adaptor
510-994	Flue Adaptor

**RegencyCabinet and/or Flat Wall Mantles may be used in these applications ensuring that clearances to combustibles are maintained.**

The Air Intake pipe must be attached to the inlet air collar of the termination cap.



**VENTING ARRANGEMENTS - VERTICAL TERMINATION**  
with Co-linear Flex System for both  
Residential & Manufactured Homes into Masonry Fireplaces



The shaded area in the diagrams show the allowable vertical terminations.