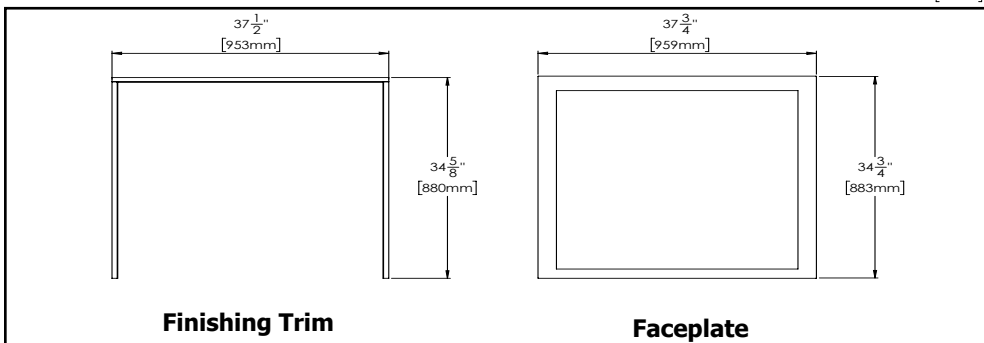
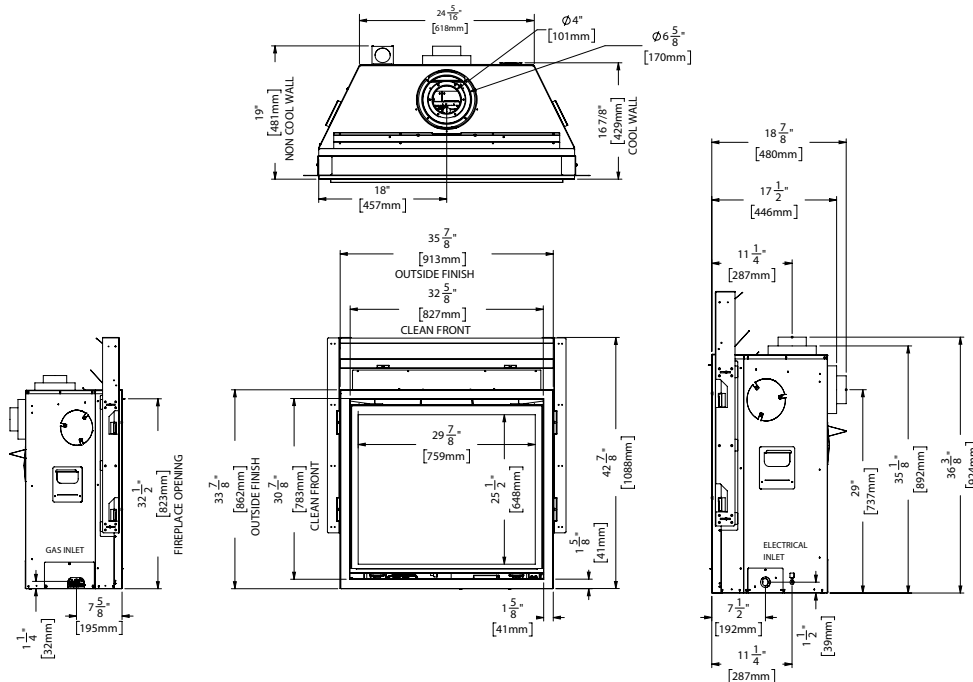


Grandview G800C Gas Fireplace

MODEL	G800C-NG	G800C-NG
Fuel Type	Natural Gas	Propane
Min. Supply Pressure	5" W.C. (1.25 kPa)	11" W.C. (2.73 kPa)
Max. Supply Pressure	14" W.C. (3.48 kPa)	14" W.C. (3.48 kPa)
Manifold Pressure - High	3.8" W.C. (0.94 kPa)	10.5" W.C. (2.62 kPa)
Manifold Pressure - Low	1.1" W.C. (0.27 kPa)	2.9" W.C. (0.72 kPa)
Orifice Size - Altitude 0-4500 ft	# 42 DMS	# 53 DMS
Minimum Input Altitude 0-4500 ft. (0-1372m)	15,000 Btu/h (4.4kW)	14,500 Btu/h (4.25 kW)
Maximum Input Altitude 0-4500 ft. (0-1372m)	27,000 Btu/h (7.91 kW)	26,500 Btu/h (7.77 kW)
Vent Sizing	4" Inner / 6-5/8" Outer	4" Inner / 6-5/8" Outer



G800C Dimensions



Note: Gas connection is from the left hand side of the appliance & electrical connection on right hand side of the appliance. A metal receptacle box is supplied/installed with the appliance to make all 120 volt electrical connections.

G800C COOL WALL CLEARANCES

The clearances listed below are minimum distances unless otherwise stated.

A major cause of chimney related fires is failure to maintain required clearances (air space) to combustible materials. It is of the greatest importance that this fireplace and vent system be installed only in accordance with these instructions.

Caution Requirements

The top, back and sides of the fireplace are defined by standoffs. The metal ends of the standoff may **NOT** be recessed into combustible construction.

WARNING

Fire hazard is an extreme risk
If these clearances (air space) to combustible materials are not adhered to. It is of greatest importance that this fireplace and vent system be installed only in accordance with these instructions.

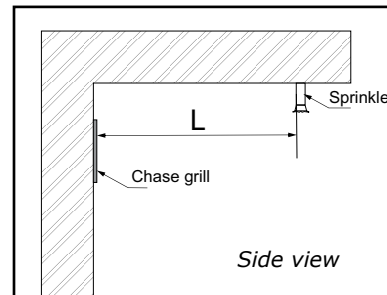
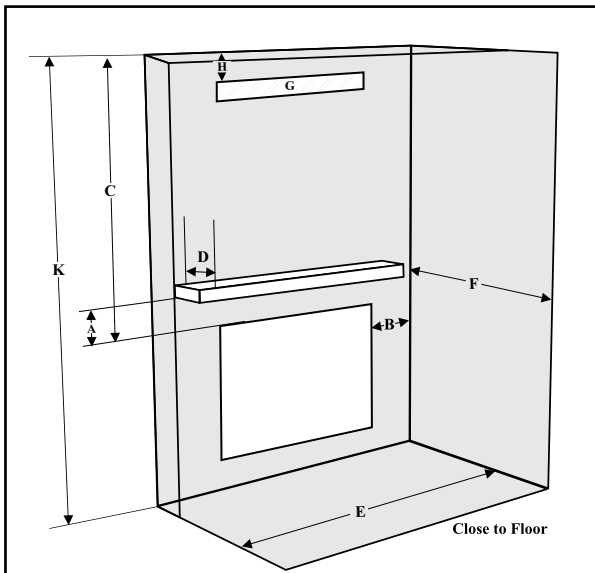
G800C Clearance Requirements—Cool Wall Installations

Clearance:	Cool Wall - Clean Front	Measured From:
A: Mantel Height (min.)	**0"	Top of Fireplace Opening
B: Sidewall	6" (152 mm)	Side of Fireplace Opening
C: Ceiling	47-1/2" (1207 mm)	Top of Fireplace Opening
D: Mantel Depth (max.)	14" (356 mm)	Front of Fireplace Opening
E: Alcove Width	84" (2134 mm)	Wall to Wall (Minimum)
F: Alcove Depth	36" (914 mm)	Front to Back Wall (Maximum)
G: Convection Air Outlet	66"sq (426 cm ²)	Top/Front of Enclosure
H: Convection Air Outlet Opening Offset	0-2" (51 mm)	*Top of Chase Enclosure
K: Chase Enclosure (Min.)	80" (2032 mm)	From Base of Appliance Floor
L: Clearance to Sprinkler Head (Min.)	36" (914 mm)	Perpendicular From Chase Grill
Notes:	0"	No Hearth Required

IMPORTANT - *A minimum of 66 square inches of open area, not lower than 0"-2" from top of enclosure, required for all cool wall installations — this can be achieved by having an open area in front. See manual for details.
** An extra 3/4" (19mm) of mantel height is required when using a faceplate.

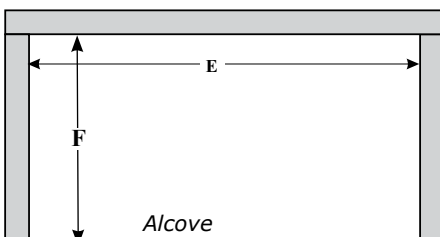


The **HeatWave** Duct Kit has different clearance and framing requirements, check the **HeatWave** manual for details.



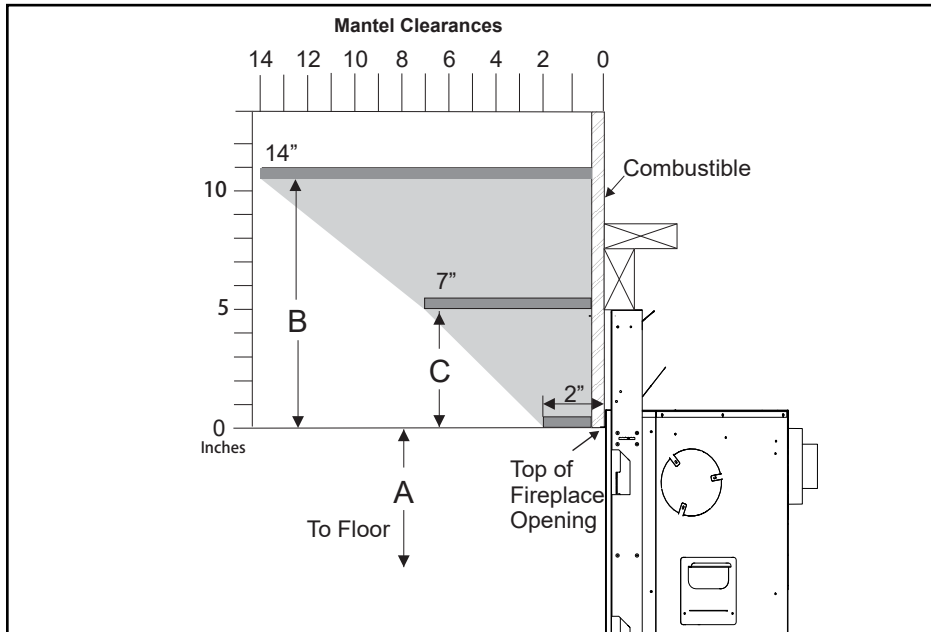
Minimum Vent Clearances to Combustibles

Horizontal Top	2" (51 mm)
Horizontal Side	1-1/2" (38 mm)
Horizontal Bottom	1-1/2" (38 mm)
Vertical Vent	1-1/2" (38 mm)



G800C COOL WALL MANTEL CLEARANCES

Due to the extreme heat this fireplace emits, the mantel clearances are critical. Combustible mantel clearances from top of front facing are shown in the diagram below.

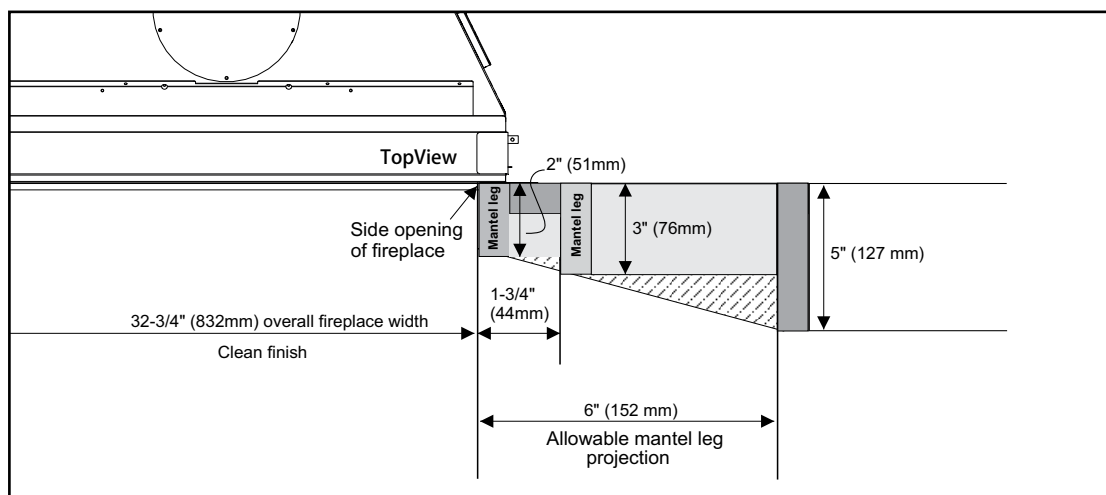


Mantel Clearances G800C	A	B	C
From Top of Fireplace Opening	32-1/2" (826 mm)	10" (254 mm)	5" (127 mm)

Note: Ensure the paint that is used on the mantel and the facing is "High Quality" or the paint may discolour.

Note: If Faceplate or Finishing Trim is being installed, leave 3-3/8" clearance from from top of fireplace opening for installation and removal.

Cool Wall Mantel Leg Clearances

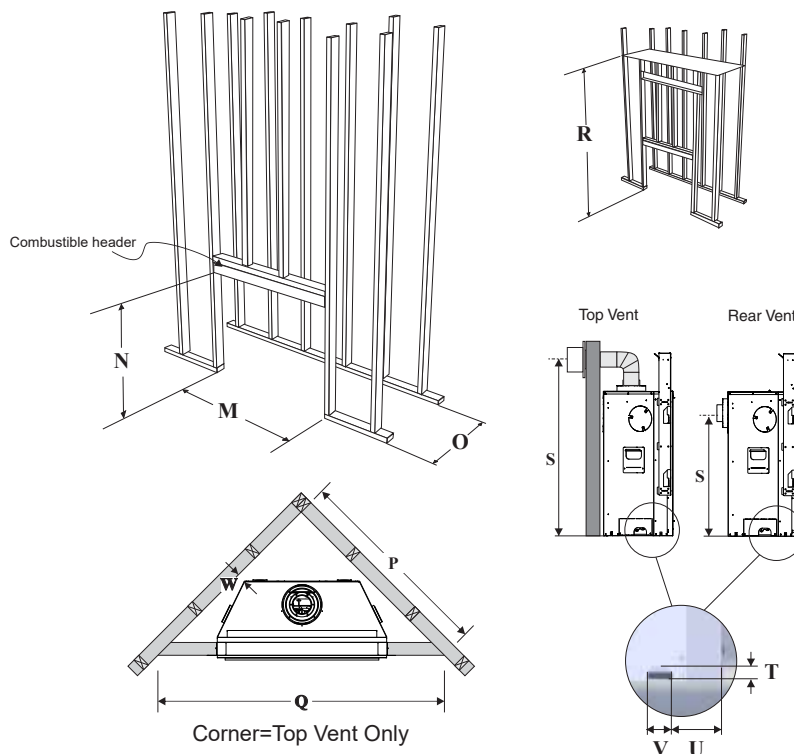


G800C COOL WALL FRAMING DIMENSIONS

Framing Dimensions	Description	Cool Wall	Cool Wall with Finishing Trim or Faceplate
M	Framing Width	36-1/2" (927mm)	37-1/2" (952mm)
N*	Framing Height	43" (940 mm)	
O	Framing Depth	16-7/8" (427 mm)	
P	Corner Facing Wall Width	42-1/2" (1035 mm)	
Q	Corner Facing Wall Width	60" (1524 mm)	
R	Framed Chase Ceiling Enclosure	80" (2032 mm)	
S (Rear Vent)	Vent Centerline Height - Rear	29" (737 mm)	
S (Top Vent)	Vent Centerline Height - Top	44" (1118 mm)	
T	Gas Connection Height	1-1/2" (38 mm)	
U	Gas Connection Inset	6-3/8" (162 mm)	
V	Gas Connection Width	3" (76 mm)	
W	Clearance to Corner of Unit	2-3/4" (70 mm)	

*** Important: Framing height requires consideration of the hearth height. Dimension N = N + the thickness of the installed hearth.**

Note: The 2 standoffs at the rear of the appliance may be removed as these are not required in this application. Ensure that any screws that are removed are reinstalled. The 2 standoffs can be recycled/discarded.



IMPORTANT: Corner applications are vented from the top only - rear venting cannot be used.

G800C COOL WALL CLEARANCES

The clearances listed below are minimum distances unless otherwise stated.

A major cause of chimney related fires is failure to maintain required clearances (air space) to combustible materials. It is of the greatest importance that this fireplace and vent system be installed only in accordance with these instructions.

Caution Requirements

The top, back and sides of the fireplace are defined by standoffs. The metal ends of the standoff may **NOT** be recessed into combustible construction.

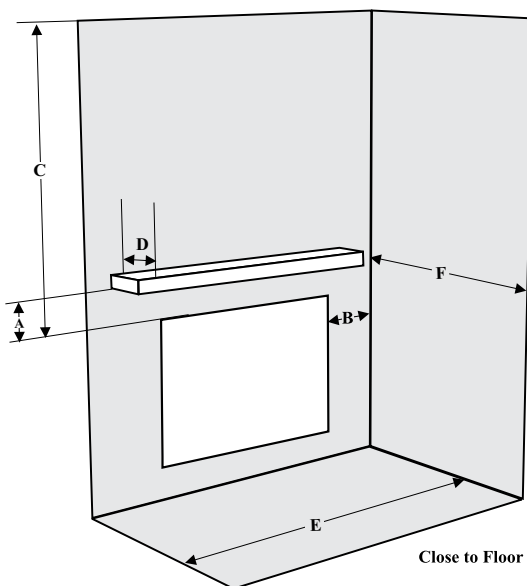
WARNING

Fire hazard is an extreme risk if these clearances (air space) to combustible materials are not adhered to. It is of greatest importance that this fireplace and vent system be installed only in accordance with these instructions.

G800C Clearance Requirements		
Clearance:	Dimension	Measured From:
A: Mantel Height (min.)	11-1/2" (292 mm)	Top of Fireplace Opening
B: Sidewall	25" (635 mm)	Side of Fireplace Opening
C: Ceiling	36-1/2" (927 mm)	Top of Fireplace Opening
D: Mantel Depth (max.)	19" (483 mm)	Front of Fireplace Opening
E: Alcove Width	84" (2134 mm)	Wall to Wall (Minimum)
F: Alcove Depth	36" (914 mm)	Front to Back Wall (Maximum)
Notes:	0"	No Hearth Required

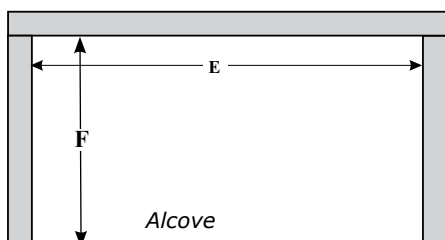


The **HeatWave** Duct Kit has different clearance and framing requirements, check the **HeatWave** manual for details.



Minimum Vent Clearances to Combustibles

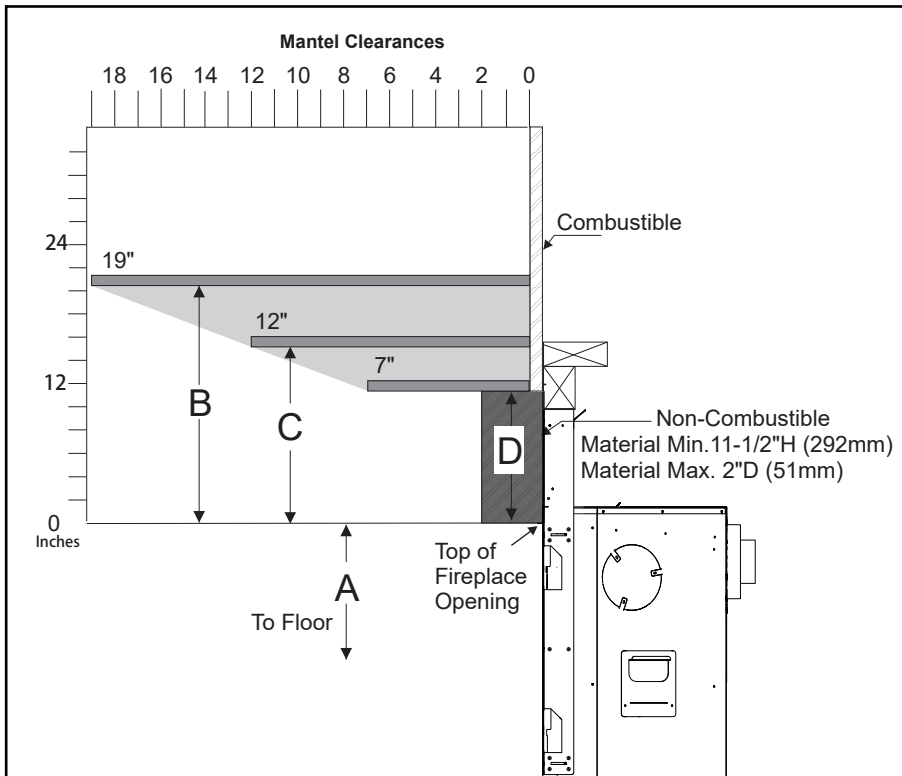
Horizontal Top	2" (51 mm)
Horizontal Side	1-1/2" (38 mm)
Horizontal Bottom	1-1/2" (38 mm)
Vertical Vent	1-1/2" (38 mm)



G800C NON COOL WALL MANTEL CLEARANCES

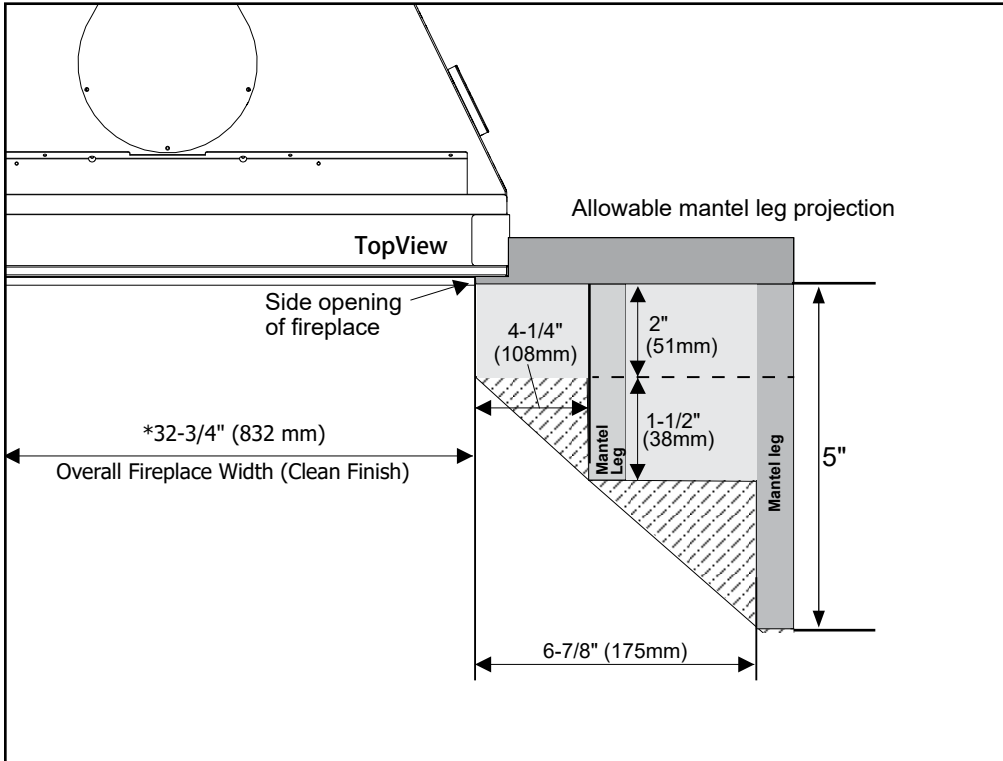
Due to the extreme heat this fireplace emits, the mantel clearances are critical. Combustible mantel clearances from top of front facing are shown in the Diagram on the right.

Note: Ensure the paint that is used on the mantel and the facing is "High Quality" or the paint may discolour.

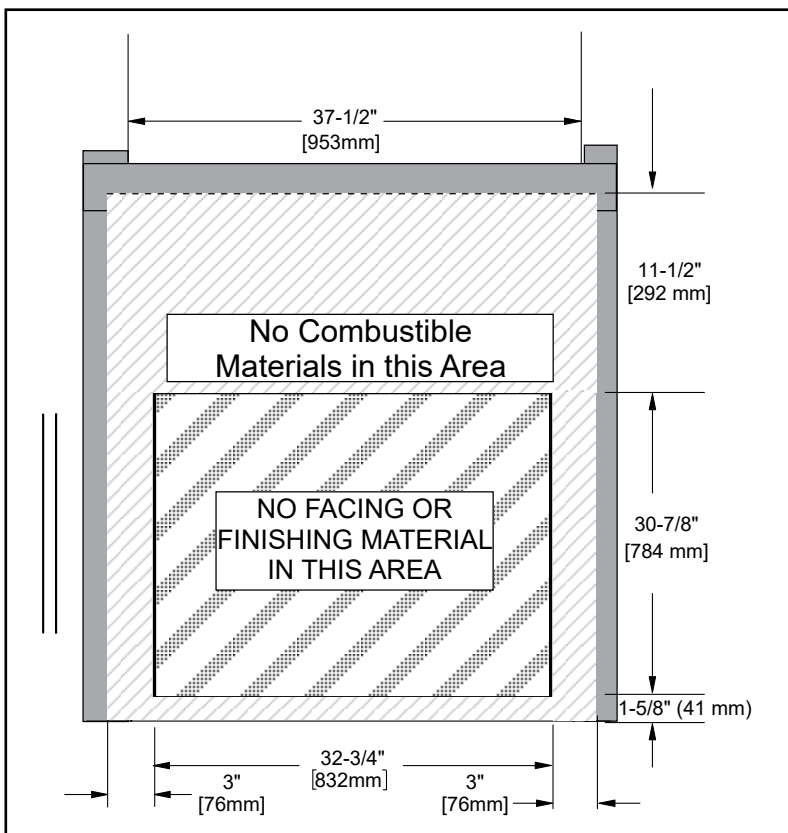


Mantel Clearances G800C	A	B	C	D
From Top of Fireplace Opening	32-1/2" (826 mm)	20-1/2" (597 mm)	15-1/4" (470 mm)	11-1/2" (292 mm)

G800C CLEAN FRONT INSTALLATION MANTEL LEG CLEARANCES (NON COOL WALL)



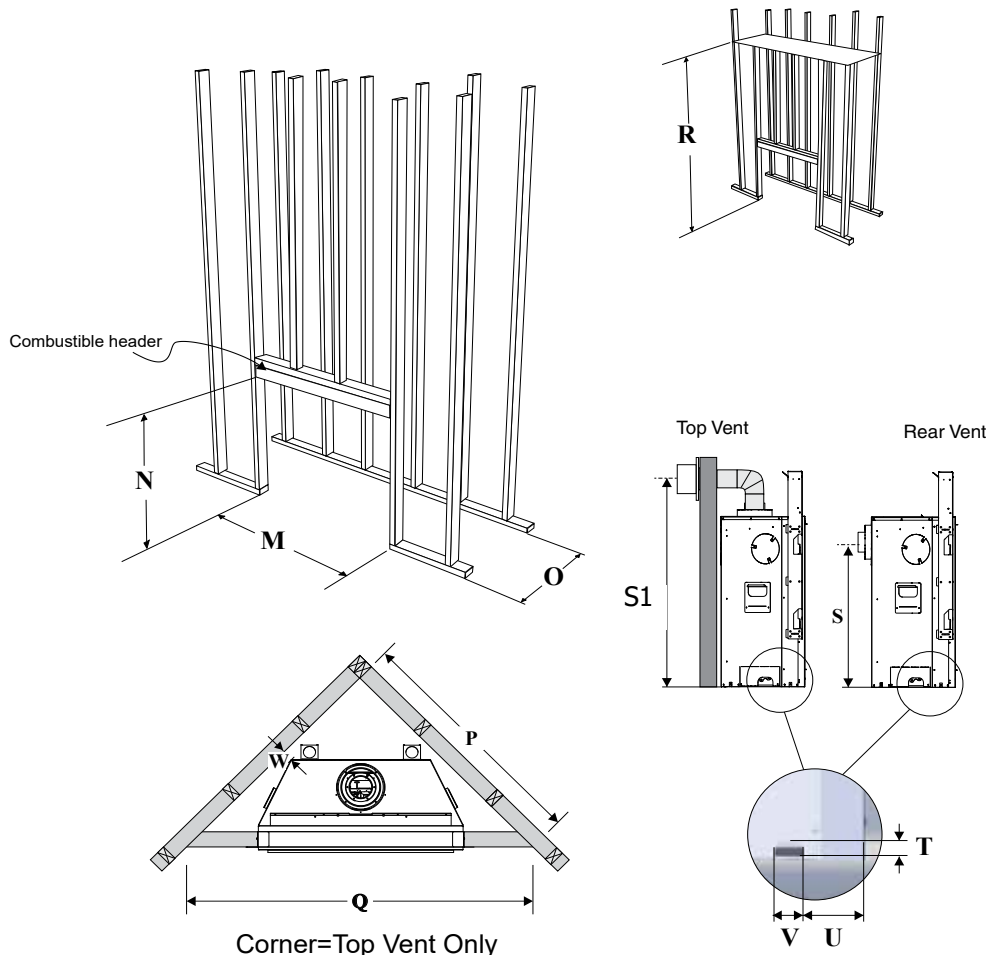
Clean Front Installation (Non Cool Wall) - Non Combustible Requirements



G800C CLEAN FRONT INSTALLATION FRAMING (NON COOL WALL)

Framing Dimensions	Description	G800C - Non Cool Wall
M	Framing Width	37-1/2"(953 mm)
N*	Framing Height	43" (1092 mm)
O	Framing Depth - Top Vent	19-1/4" (489 mm)
P (Top Vent Only)	Corner Facing Wall Width	46-1/2" (1181 mm)
Q (Top Vent Only)	Corner Facing Wall Width	65-3/4" (1670 mm)
R	Framed Chase Ceiling	62" (1575 mm)
S (Rear Vent)	Vent Centerline Height - Rear	29" (673 mm)
S 1 (Top Vent)	Vent Centerline Height - Top	44" (1118 mm)
T	Gas Connection Height	1-1/2" (38 mm)
U	Gas Connection Inset	6-3/8" (162 mm)
V	Gas Connection Width	3" (76 mm)
W	Clearance to Corner of Unit	2-3/4" (70 mm)
	Non-combustible Height	11-1/2" (292 mm)

*** Important: Framing height requires consideration of the hearth height. Dimension N = N + the thickness of the installed hearth.**



IMPORTANT: Corner applications are vented from the top only - rear venting cannot be used.

G800C OUTSIDE FINISH INSTALLATION CLEARANCES (NON COOL WALL)

The clearances listed below are minimum distances unless otherwise stated.

A major cause of chimney related fires is failure to maintain required clearances (air space) to combustible materials. It is of the greatest importance that this fireplace and vent system be installed only in accordance with these instructions.

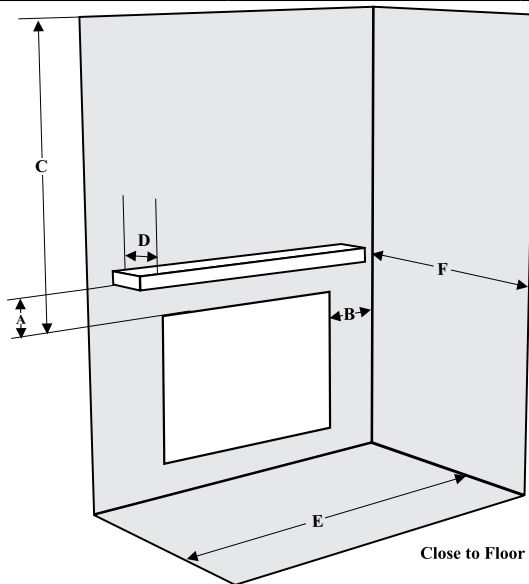
Caution Requirements

The top, back and sides of the fireplace are defined by standoffs. The metal ends of the standoff may **NOT** be recessed into combustible construction.

WARNING

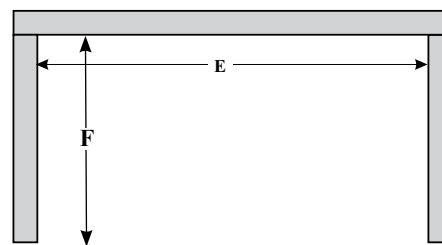
Fire hazard is an extreme risk if these clearances (air space) to combustible materials are not adhered to. It is of greatest importance that this fireplace and vent system be installed only in accordance with these instructions.

G800C Outside Finish Clearance Requirements		
Clearance:	Dimension	Measured From:
A: Mantel Height (min.)	10" (254 mm)	Top of Fireplace Opening
B: Sidewall	25" (635 mm) one side only	Side of Fireplace Opening
C: Ceiling	36-1/2" (927 mm)	Top of Fireplace Opening
D: Mantel Depth (max.)	12" (305 mm)	Top of Fireplace Opening
E: Alcove Width	84" (2134 mm)	Wall to Wall (Minimum)
F: Alcove Depth	36" (914 mm)	Front to Back Wall (Maximum)
Notes:	0"	No Hearth Required



Minimum Vent Clearances to Combustibles

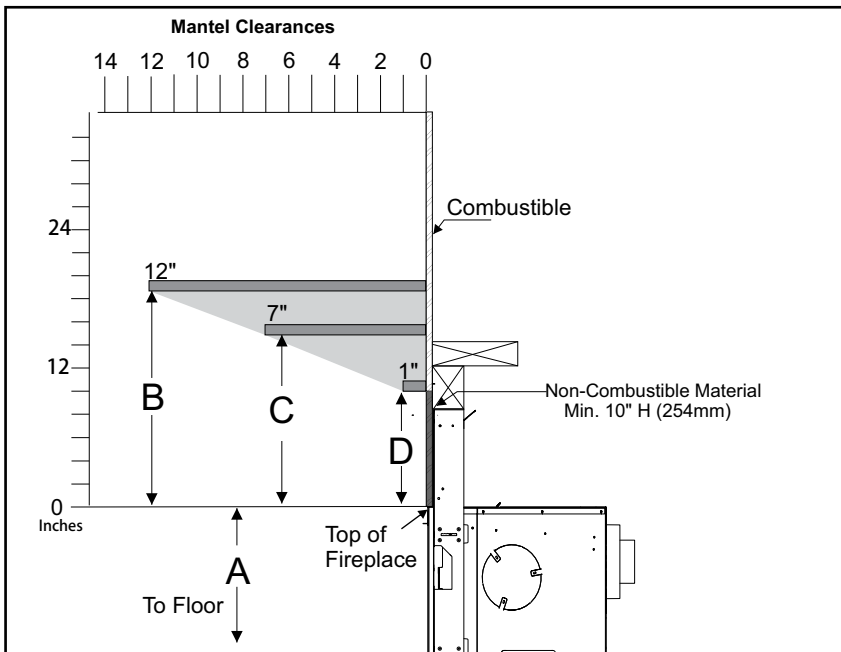
Horizontal Top	2" (51 mm)
Horizontal Side	1-1/2" (38 mm)
Horizontal Bottom	1-1/2" (38 mm)
Vertical Vent	1-1/2" (38 mm)



Alcove

G800C OUTSIDE FINISH INSTALLATION MANTEL CLEARANCES (NON COOL WALL)

Due to the extreme heat this fireplace emits, the mantel clearances are critical. Combustible mantel clearances from top of front facing are shown in the diagram below.

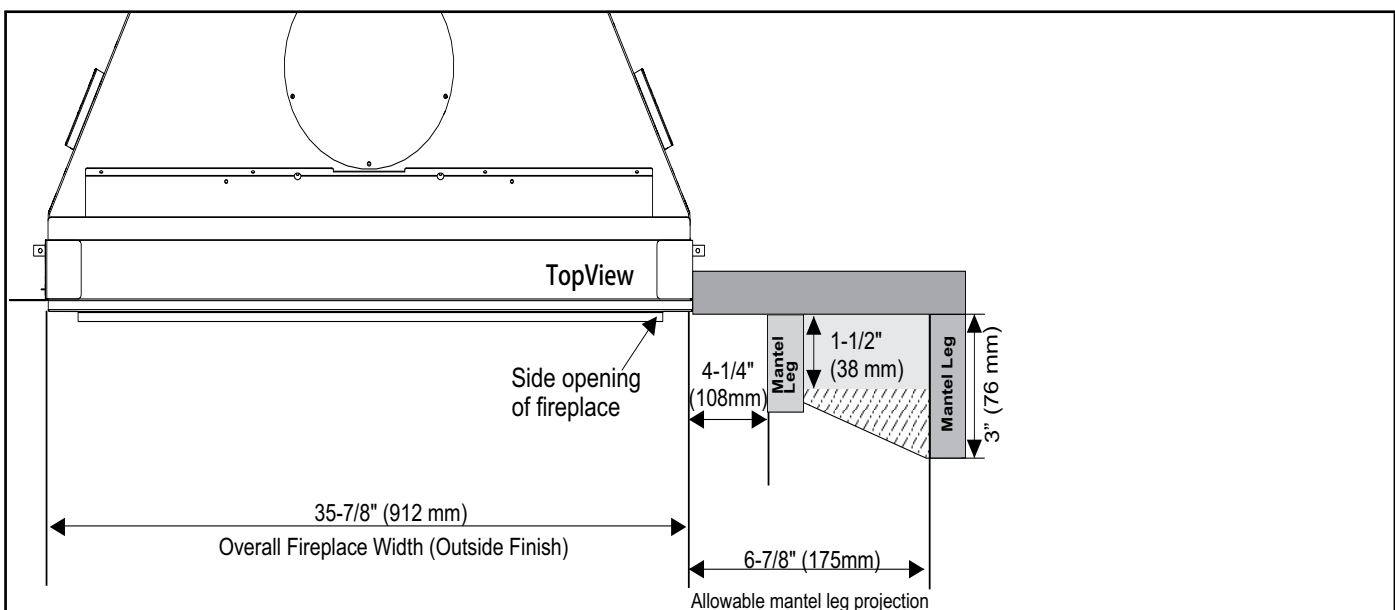


Mantel Clearances G800C	A	B	C	D
From Top of Fireplace Opening	34" (754 mm)	19" (483 mm)	15" (381 mm)	10" (254 mm)

Note: Ensure the paint that is used on the mantel and the facing is "High Quality" or the paint may discolour.

****The non combustible board supplied with the appliance is 11-1/2" (292mm) high. This may be cut to size if desired.**

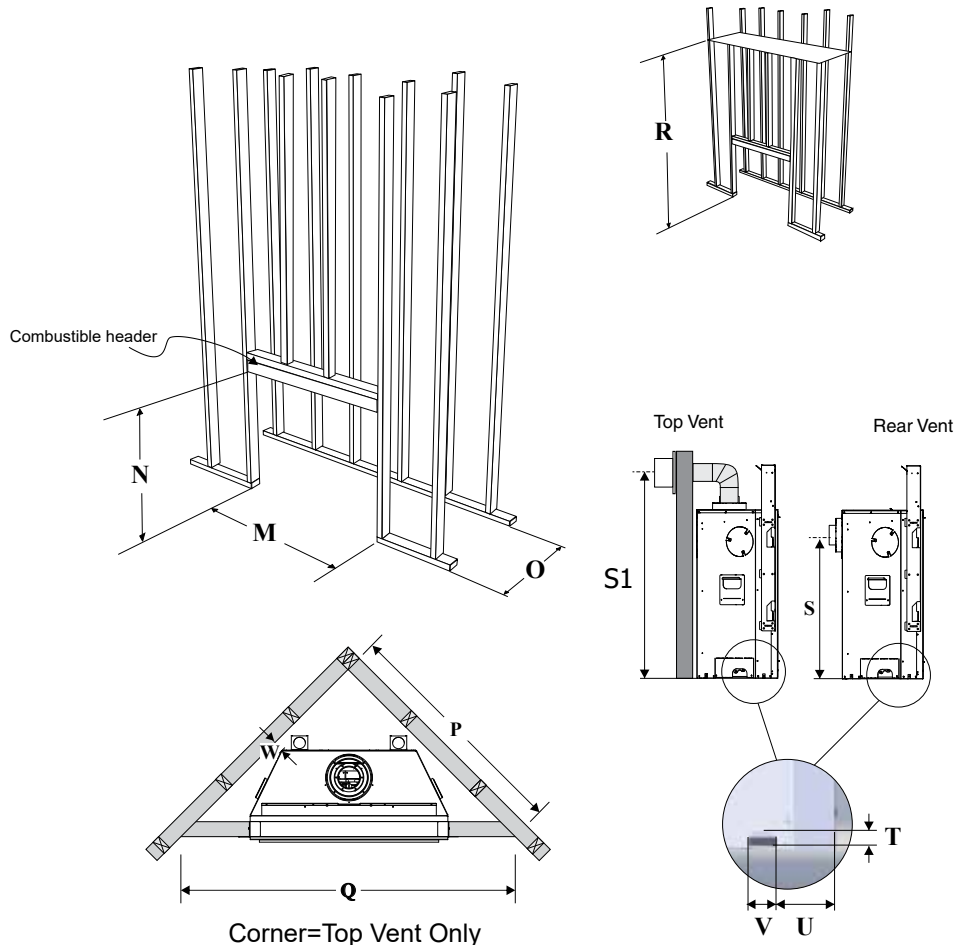
Outside Finish Installation (Non Cool Wall) - Mantel Leg Clearances



G800C OUTSIDE FINISH INSTALLATION FRAMING (NON COOL WALL)

Framing Dimensions	Description	Outside Finish	Outside finish with Finishing Trim or Faceplate
M	Framing Width	36-1/2" (927 mm)	37-1/2" (953 mm)
N*	Framing Height	43" (1092 mm)	
O	Framing Depth	19-1/4" (489 mm)	
P (Top Vent Only)	Corner Facing Wall Width	46-1/2" (1181 mm)	
Q (Top Vent Only)	Corner Facing Wall Width	65-3/4" (1670 mm)	
R	Framed Chase Ceiling	62" (1575 mm)	
S (Rear Vent)	Vent Centerline Height - Rear	29" (673 mm)	
S1 (Top Vent)	Vent Centerline Height - Top	44" (1118 mm)	
T	Gas Connection Height	1-1/2" (38 mm)	
U	Gas Connection Inset	6-3/8" (162 mm)	
V	Gas Connection Width	3" (76 mm)	
W	Clearance to Corner of Unit	2-3/4" (70 mm)	
	Non-combustible Height	10" (254 mm)	

*** Important: Framing height requires consideration of the hearth height. Dimension N = N + the thickness of the installed hearth.**



IMPORTANT: Corner applications are vented from the top only - rear venting cannot be used.

G800C VENTING ARRANGEMENTS

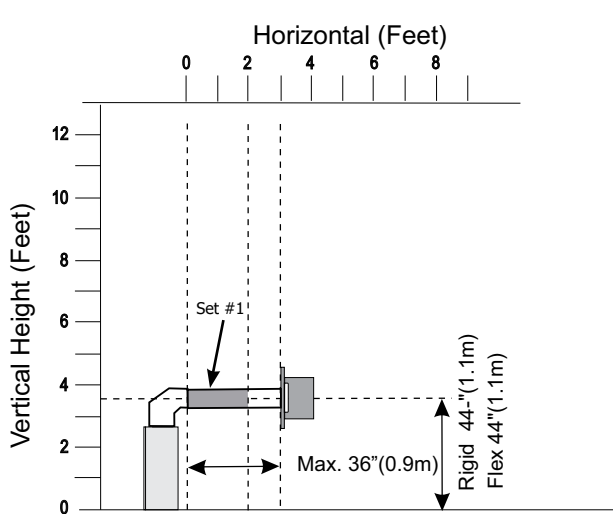
Venting Arrangements for Horizontal Terminations - Flex Vent or Rigid Pipe 4" x 6-5/8"

The Diagrams show all allowable combinations of vent runs with 4" x 6-5/8" venting using the Regency direct vent system or rigid vent system. A vent guard should be used whenever the termination is lower than the specified minimum or as per local codes.

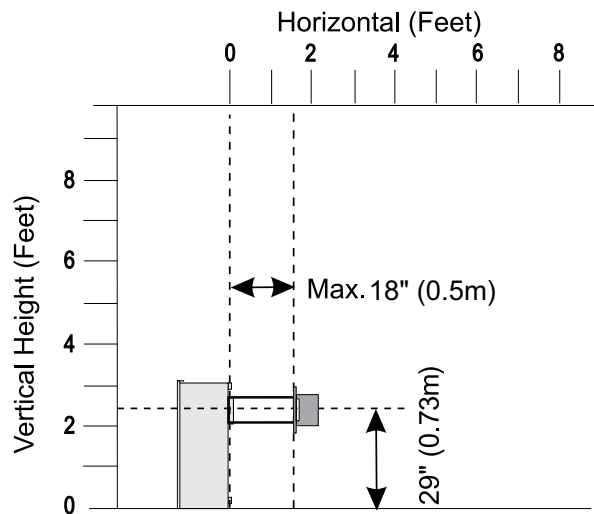
For horizontal terminations the Regency Direct Vent Flex System may be used for installations with a maximum **continuous** vent maximum horizontal length of 3ft (0.9m).

Note: Must use optional rigid pipe adaptor (Part # 510-994) when using Rigid Pipe vent systems.

- **Maintain clearance to combustibles.**
- **Horizontal vent must be supported every 3 feet.**
- **Firestops are required at each floor level and whenever passing through a wall.**



Top Vented
 Set #1 (2" open) up to 2' horizontal
 Factory Setting - no restrictor required greater than 2'
 horizontal



Rear Vented
 Factory Setting - No Restrictor Required

Rigid Pipe Venting Systems - Horizontal or Vertical Terminations

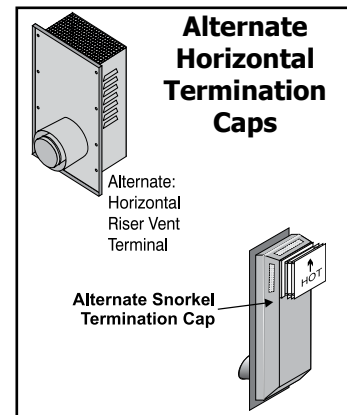
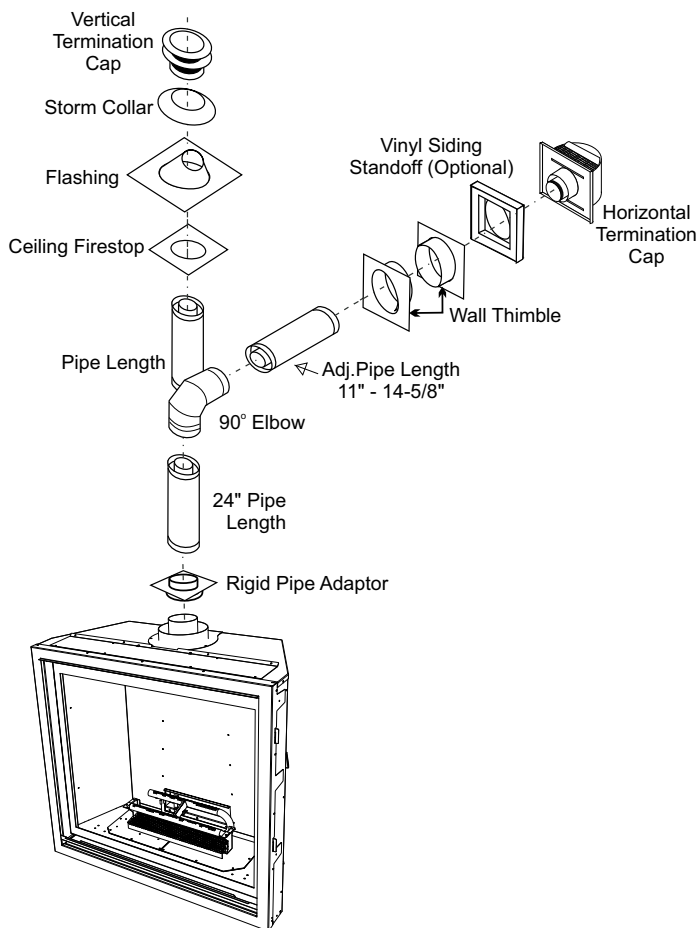
The minimum components required for a basic horizontal termination are:

- 1 Horizontal Termination Cap
- 1 90° Elbow
- 1 Rigid Pipe Adaptor
- 1 Wall Thimble
- 1 Length of pipe to suit wall thickness (see chart)

Wall thickness is measured from the back standoffs to the inside mounting surface of termination cap. For siding other than vinyl furring strips may be used, instead of the vinyl siding standoff, to create a level surface to mount the vent terminal. The Terminal must not be recessed into siding. Measure the wall thickness including furring strips.

If a Vinyl Siding Standoff is required (it must be used with vinyl siding), measure to outside surface of wall without siding and add 2 inches.

Flat Wall Installation	
Wall Thickness (inches)	Vent Length Required (inches)
4" (102mm) - 5-1/2" (140mm)	6" (152mm)
7" (178mm) - 8-1/2" (216mm)	9" (229mm)
10" (254mm) - 11-1/2" (292mm)	12" (305mm)
9" (229mm) - 14-1/2" (368mm)	11" (279mm) - 14-5/8" (371mm) Adj. Pipe
15" (381mm) - 23-1/2" (597mm)	17" (432mm) - 24" (610mm) Adj. Pipe
Corner Installation	
Wall Thickness (inches)	Vent Length Required (inches)
3-1/4" (83mm) - 6-3/4" (171mm)	11" (279mm) - 14-5/8" (371mm) Adj. Pipe
7-3/4" (197mm) - 16-1/4" (413mm)	17" (432mm) - 24" (610mm) Adj. Pipe
7-1/4" (184mm) - 8-3/4" (222mm)	6" (152mm) + 12" (305mm) 9" (229mm) + 9" (229mm)
4-1/4" (108mm) - 5-3/4" (146mm)	6" (152mm) + 9" (229mm)



WARNING:

Do not combine venting components from different venting systems.

However use of the AstroCap™ and FPI Riser is acceptable with all systems.

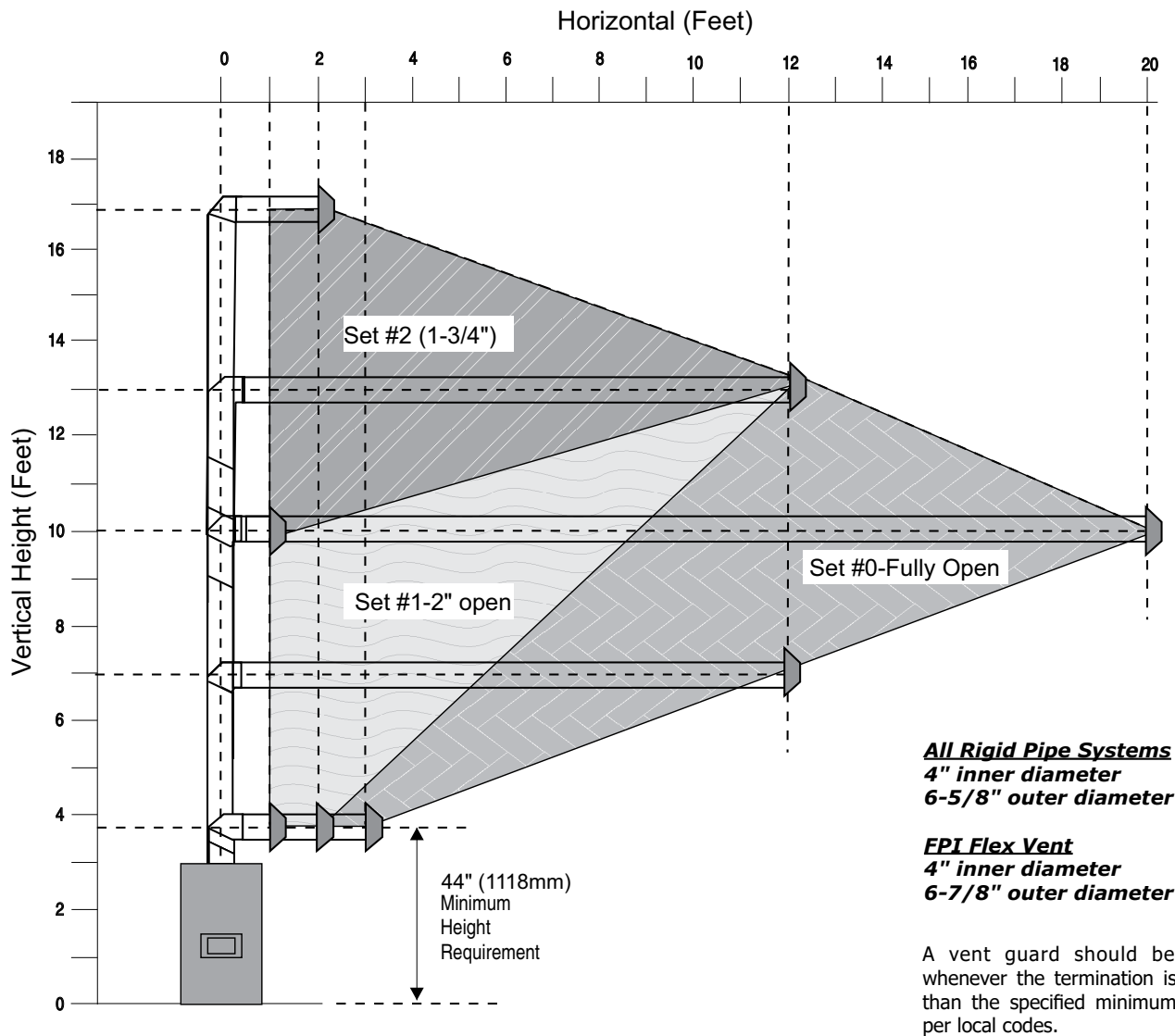
This product has been evaluated by Intertek for using a Rigid Pipe Adaptor in conjunction with DuraVent Direct Vent, Selkirk Direct-Temp, Ameri Vent Direct venting, Olympia Ventis DV and Security Secure Vent systems. Use of these systems with the Rigid Pipe Adaptor is deemed acceptable and does not affect the Intertek WHI listing of components.

The FPI AstroCap™ and FPI Riser Vent terminal are certified for installations using FPI venting systems as well as Simpson Dura-Vent® Direct Vent, American Metal Products, Olympia Ventis DV, Security Secure Vent®, AmeriVent Direct Vent. AstroCap™ is the proprietary trademark of FPI Fireplace Products International Ltd. Dura-Vent® and Direct Vent are registered and/or proprietary trademarks of Simpson Dura-Vent Co. Inc.

Venting Arrangements - Horizontal Termination - Rigid Pipe and Direct Vent System (Flex) (Propane & Natural Gas)

The diagram shows all allowable combinations of vertical runs with horizontal terminations, using one 90° elbow (two 45° elbows equal one 90° elbow).

Note: Must use optional rigid pipe adaptor (Part # 510-994) when using Rigid Pipe venting systems.

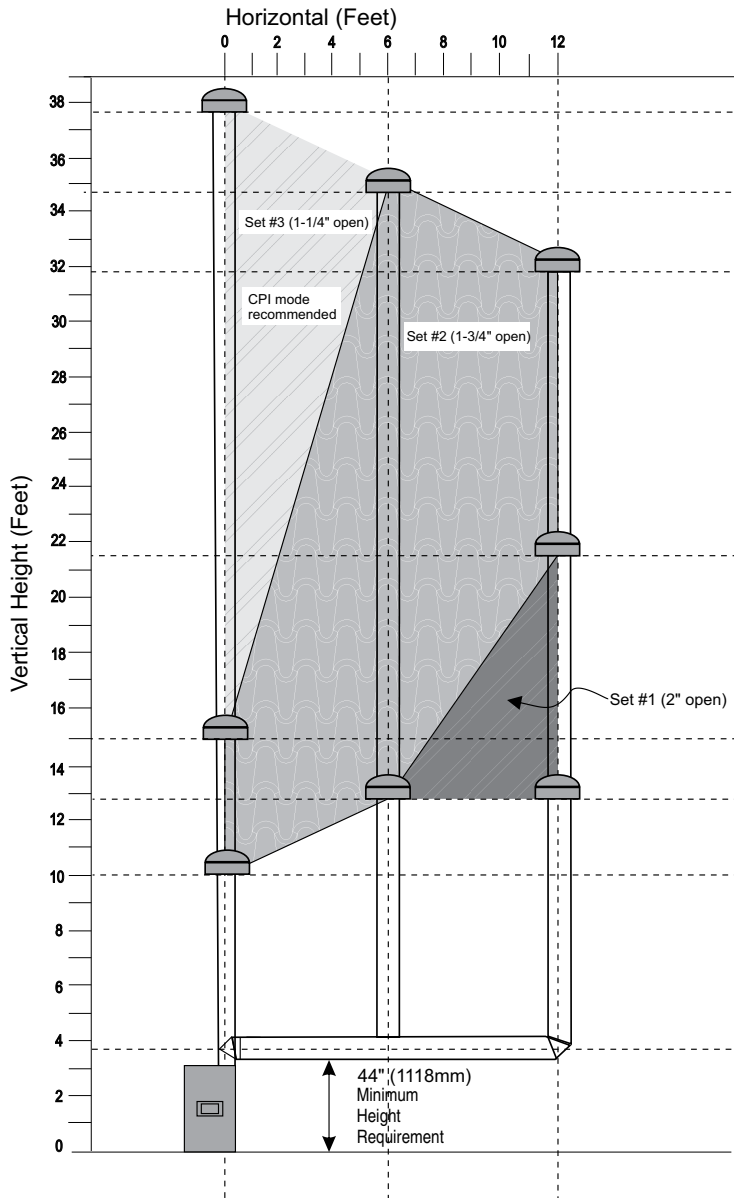


- Maintain clearances to combustibles.
- Horizontal vent must be supported every 3 feet.
- Firestops are required at each floor level and whenever passing through a wall.

Note: FPI Direct Vent Flex System Part #:946-513 (2 foot), 946-515 (4 foot) and 946-516 (10 foot) are only approved for horizontal terminations.

Venting Arrangements - Vertical Termination - Rigid Pipe System and Vertical Flex Kit to Same Limitations (Propane & Natural Gas)

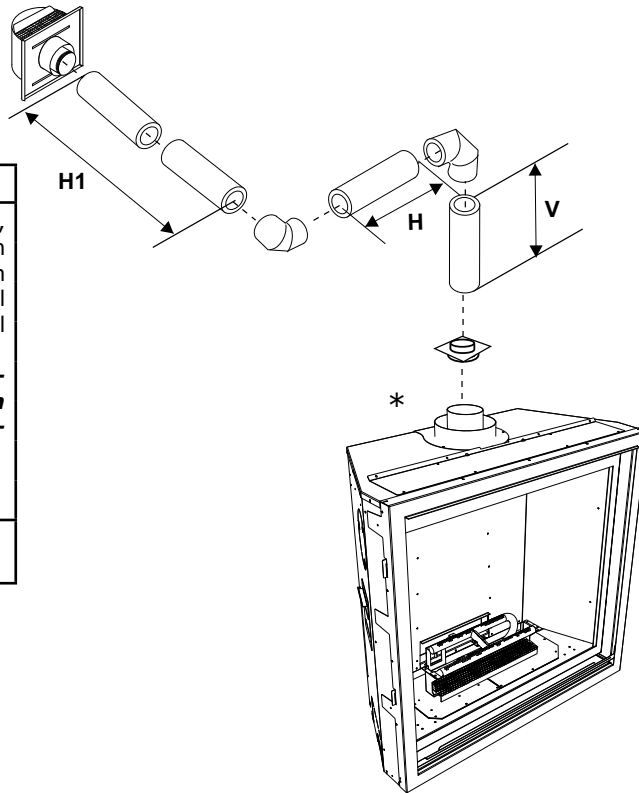
The shaded area in the diagram shows all allowable combinations of straight vertical and offset to vertical terminations, using two 90° elbows, with rigid pipe vent systems for Propane and Natural Gas.



- Vent must be supported at offsets.
- Firestops are required at each floor level and whenever passing through a wall.
- Maintain clearances to combustibles.

Note: Must use optional rigid pipe adaptor when using rigid vent systems (Part # 510-994).

Horizontal Terminations - Two 90° Elbows



One 90° elbow = Two 45° elbows.		
Option	V	H + H1
A)	0' Min.	2' Max.
B)	1' Min.	3' Max.
C)	2' Min.	4' Max.
D)	3' Min.	5' Max.
E)	4' Min.	6' Max.
F)	5' Min.	7' Max.
G)	6' Min.	8' Max.

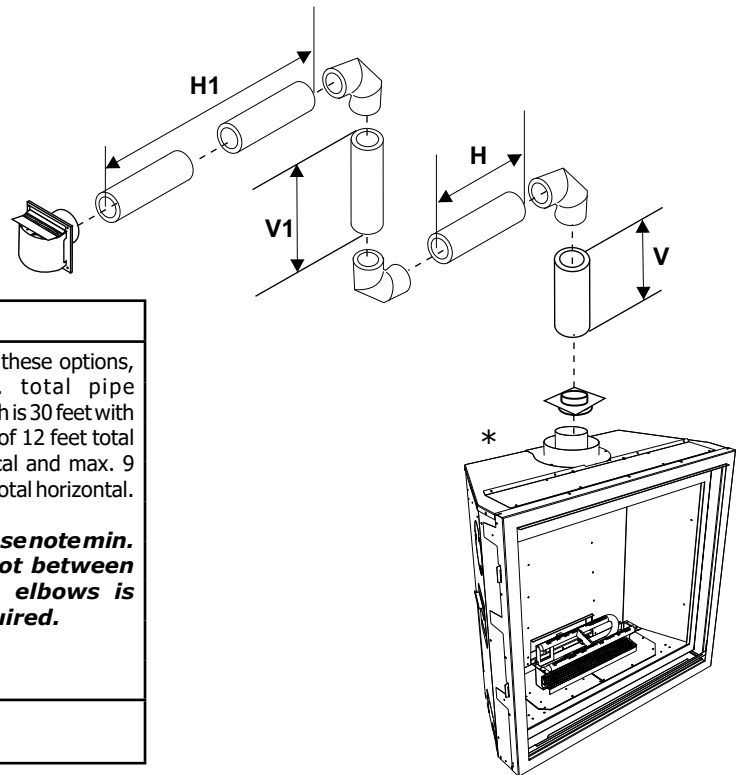
With these options, maximum total pipe length is 30 feet with minimum of 6 feet total vertical and maximum 8 feet total horizontal.

Please note minimum 1 foot between 90° elbows is required.

No Vent Restrictor Installed
***Required when using rigid venting**

Lengths do not include elbow indicated.

Horizontal Terminations - Three 90° Elbows



One 90° elbow = Two 45° elbows.				
Option	V	H	V + V1	H + H1
A)	0' Min.	1' Max.	1' Min.	2' Max.
B)	1' Min.	2' Max.	3' Min.	3' Max.
C)	2' Min.	2' Max.	5' Min.	4' Max.
D)	3' Min.	2' Max.	7' Min.	5' Max.
E)	4' Min.	3' Max.	9' Min.	6' Max.
F)	5' Min.	4' Max.	10' Min.	7' Max.
G)	6' Min.	5' Max.	11' Min.	8' Max.
H)	7' Min.	6' Max.	12' Min.	9' Max.

With these options, max. total pipe length is 30 feet with min. of 12 feet total vertical and max. 9 feet total horizontal.

Please note min. 1 foot between 90° elbows is required.

No Vent Restrictor Installed
***Required when using rigid venting**

Lengths do not include elbow indicated.

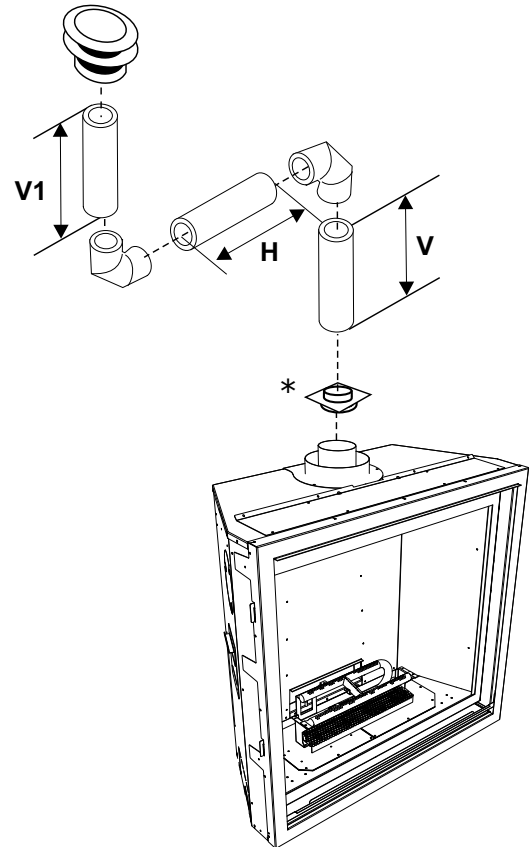
Vertical Venting with Two 90° Elbows

<i>One 90° elbow = Two 45° elbows.</i>			
Option	V	H	V + V1
A)	0' Min.	2' Max.	1' Min.
B)	1' Min.	4' Max.	3' Min.
C)	2' Min.	5' Max.	4' Min.
D)	3' Min.	6' Max.	5' Min.
E)	4' Min.	7' Max.	6' Min.
F)	5' Min.	8' Max.	7' Min.

With these options, maximum total pipe length is 30 feet with minimum of 7 feet total vertical and maximum 8 feet total horizontal.

Please note minimum 1 foot between 90° elbows is required.

Lengths do not include elbow indicated.
***Required when using rigid venting**



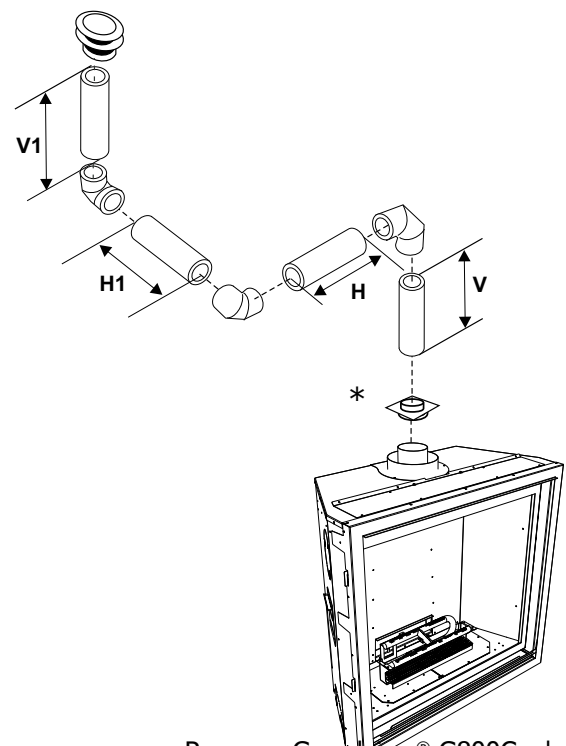
Vertical Venting with Three 90° Elbows

<i>One 90° elbow = Two 45° elbows.</i>			
Option	V	H + H1	V + V1
A)	0' Min.	2' Max.	2' Min.
B)	1' Min.	2' Max.	3' Min.
C)	2' Min.	3' Max.	4' Min.
D)	3' Min.	4' Max.	6' Min.
E)	4' Min.	5' Max.	7' Min.
F)	5' Min.	6' Max.	8' Min.
G)	6' Min.	7' Max.	9' Min.
H)	7' Min.	8' Max.	10' Min.

With these options, maximum total pipe length is 30 feet with minimum of 10 feet total vertical and maximum 8 feet total horizontal.

Please note minimum 1 foot between 90° elbows is required.

Lengths do not include elbow indicated.
***Required when using rigid venting**

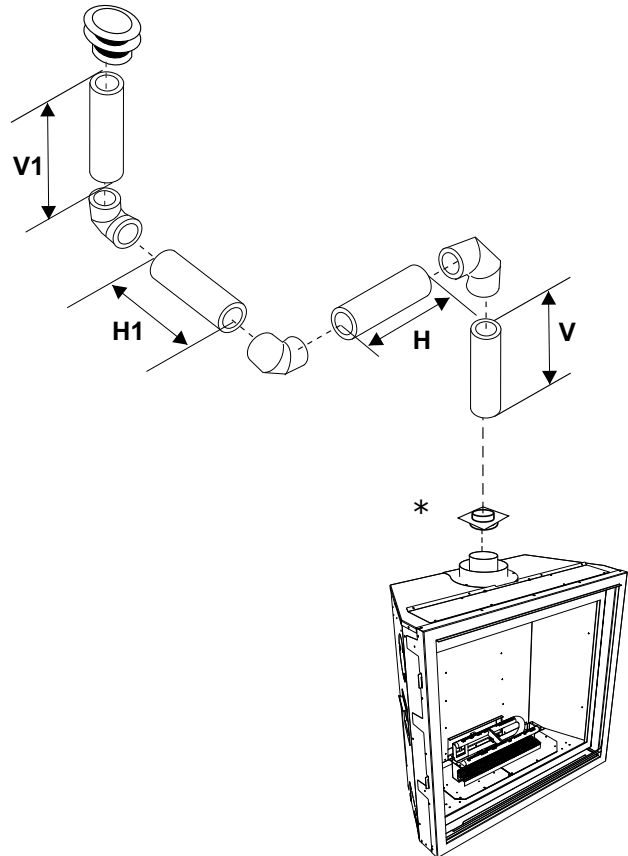


Vertical Terminations Three 90° Elbows - Rigid Pipe 4" x 6 - 5/8" (102 mm x 168 mm)

One 90° elbow = Two 45° elbows.

Option	V	H + H1	V + V1	
A)	0' Min.	2' Max.	2' Min.	With these options, max. total pipe length is 30 feet with min. of 10 feet total vertical and max. 8 feet total horizontal. Please note min. 1 foot between 90° elbows is required.
B)	1' Min.	2' Max.	3' Min.	
C)	2' Min.	3' Max.	4' Min.	
D)	3' Min.	4' Max.	6' Min.	
E)	4' Min.	5' Max.	7' Min.	
F)	5' Min.	6' Max.	8' Min.	
G)	6' Min.	7' Max.	9' Min.	
H)	7' Min.	8' Max.	10' Min.	
No Vent Restrictor Installed *Required when using rigid venting				

Lengths do not include elbow indicated.



Venting Arrangements with Co-linear Flex System into a Masonry Chimney Application

IMPORTANT: As shown below, the unit can only be vented from the top, not from the rear.

THE APPLIANCE MUST NOT BE CONNECTED TO A CHIMNEY FLUE SERVING A SEPARATE SOLID FUEL BURNING APPLIANCE.

Masonry chimneys may take various contours which the flexible liner will accommodate. However, **keep the flexible liner as straight as possible**, avoid unnecessary bending.

The Air Intake pipe must be attached to the inlet air collar of the termination cap.

This appliance is designed to be attached to two 3" (76mm) co-linear aluminium flex running the full length of the chimney. See the Venting Arrangements on next page for minimum and maximum heights.

Required Parts:

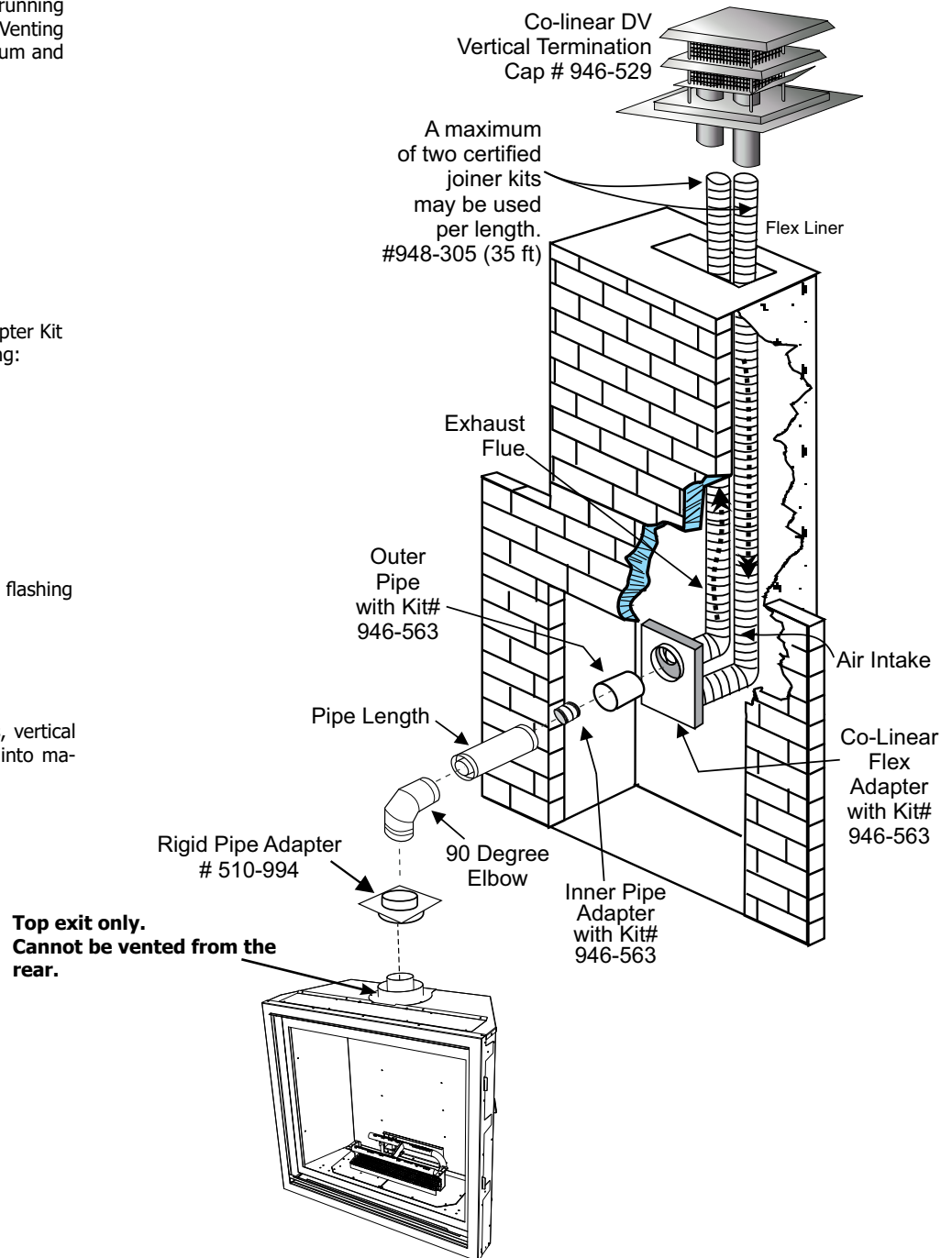
Part #	Description
946-529	Co-linear DV Vertical Termination Cap
948-305	3" Flex - 35 ft.
946-563	Co-Axial to Co-Linear Adapter Kit which contains the following: Co-linear Flex Adapter Outer Pipe Inner Pipe Adapter

Alternate Approved Caps

46dva-VC	Vertical Termination Cap
46dva-VCH	High Wind Cap
46dva-GK	3" Co-linear Adapter with flashing

NOTE:

See detailed venting arrangements, vertical terminations, co-linear flex system into masonry fireplaces in this manual.



Venting Arrangement - Vertical Terminations - Co-linear Flex System Into Masonry Fireplaces

FOR BOTH RESIDENTIAL & MANUFACTURED HOMES

IMPORTANT: As shown below, the unit can only be vented from the top, not from the rear.

Restrictor at Set #1 (2"/51 mm open)

