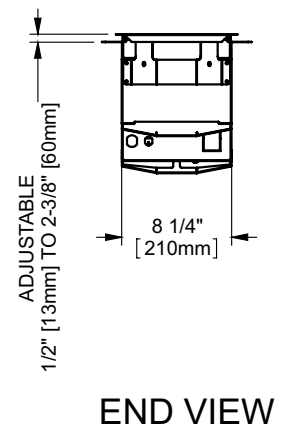
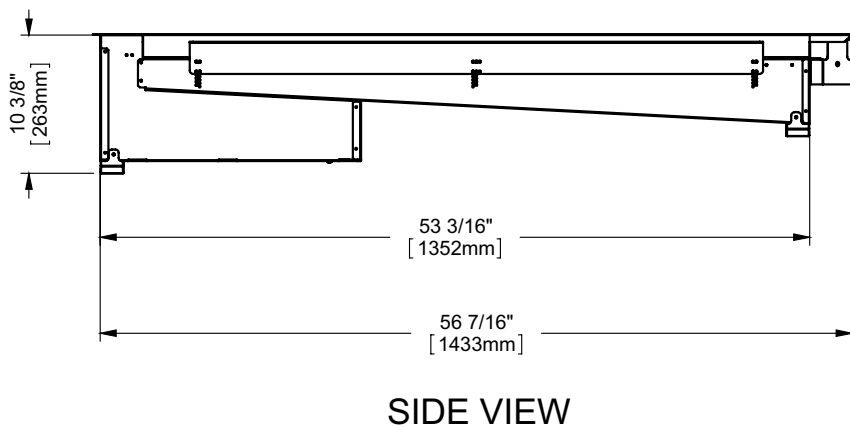
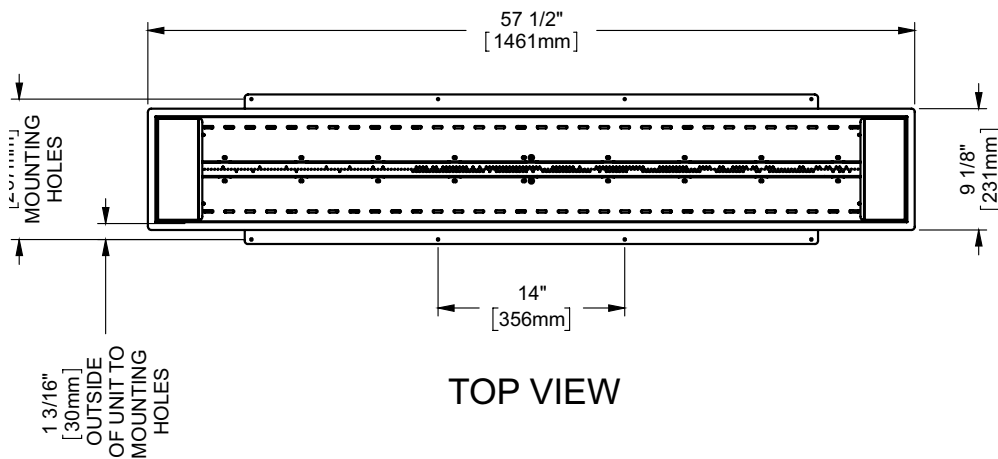


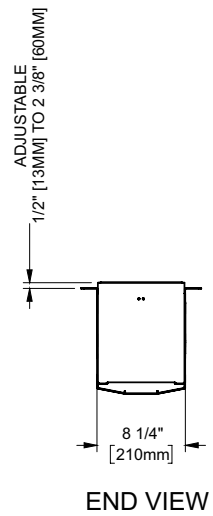
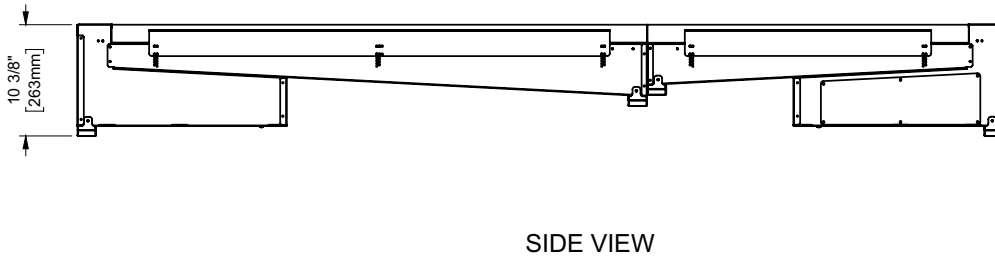
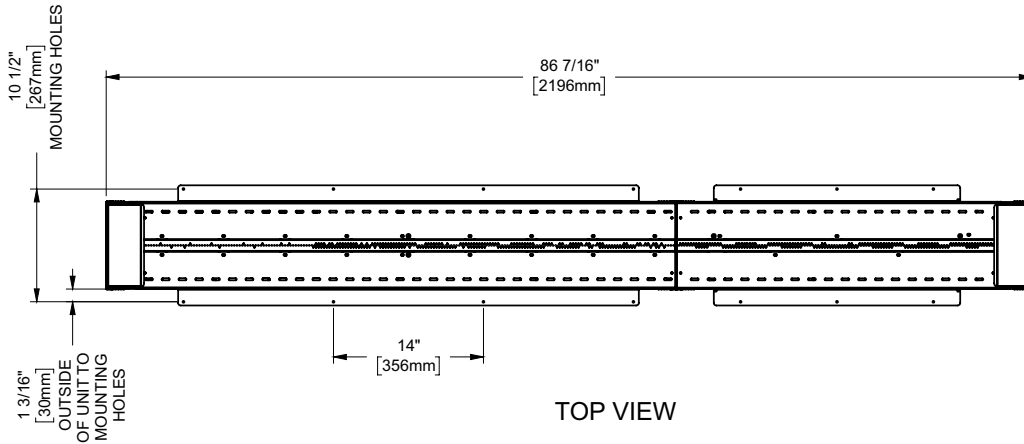
PTO50 Outdoor Decorative Fireplace

Specifications:

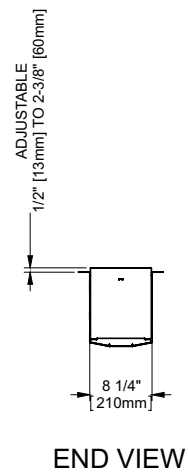
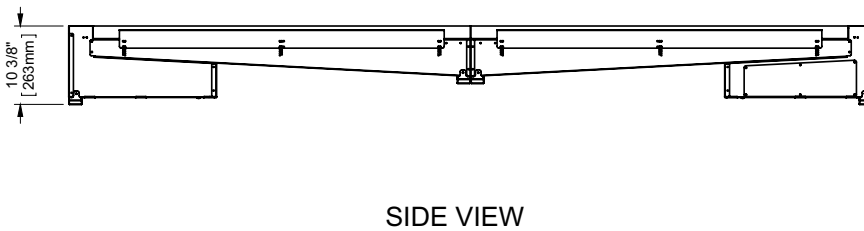
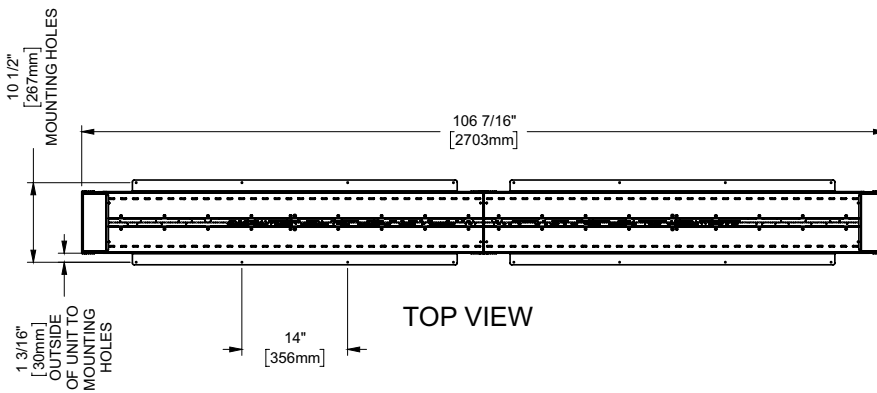
Model	PTO50-NG	PTO50-LP
Fuel Type	Natural Gas	Propane Gas
Minimum Supply Pressure	14" W.C. (3.49 kPa)	14" W.C. (3.49 kPa)
Minimum Supply Pressure	5" W.C. (1.25 kPa)	11" W.C. (2.74 kPa)
Manifold Pressure - High	3.5" W.C. (0.87 kPa)	10" W.C. (2.49 kPa)
Orifice Size	#11 DMS	#42w DMS
Maximum Input Altitude 0-4500 ft.	64,000 Btu/h (18.76 kW)	62,000 Btu/h (18.17 kW)
Vent Sizing	No Vent	No Vent



PTO80 (PTO50 JOINED WITH PTO30 JOINED END TO END)



PTO100 (2 X PTO50 JOINED END TO END)



MINIMUM CLEARANCES TO COMBUSTIBLES

The clearances listed below are Minimum distances unless otherwise stated:

A major cause of fires is failure to maintain required clearances (air space) to combustible materials. It is of the greatest importance that this decorative gas appliance be installed only in accordance with these instructions.

Caution Requirements

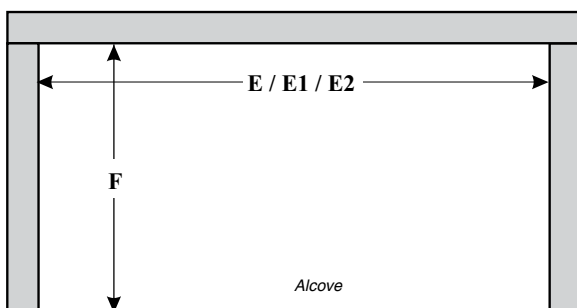
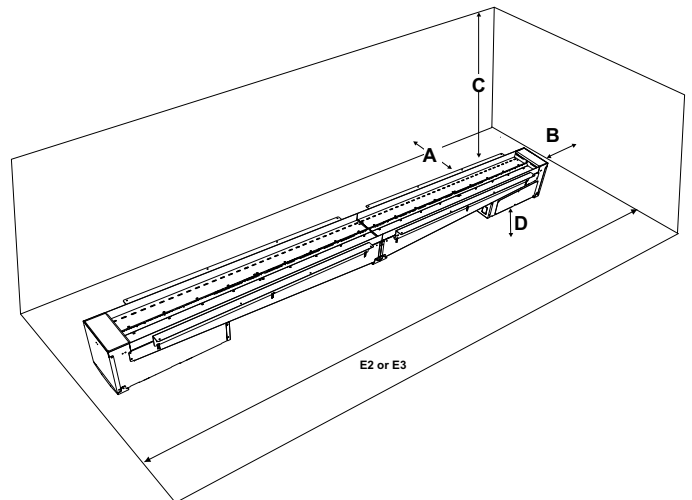
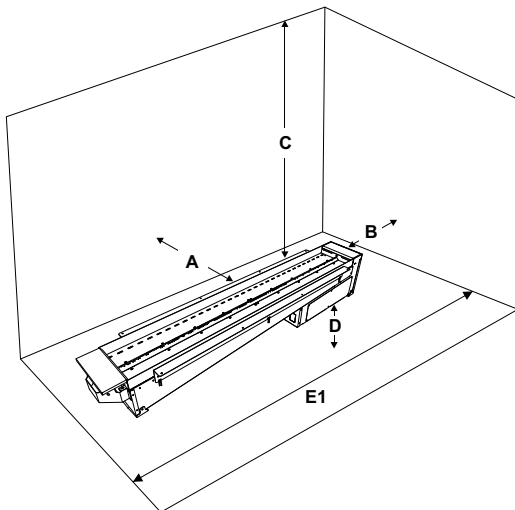
The top, back and sides of the decorative gas appliance are defined by standoffs. The metal ends of the standoff may **NOT** be recessed into combustible construction.

WARNING

Fire hazard is an extreme risk if these clearances (air space) to combustible materials are not adhered to. It is of greatest importance that this decorative gas appliance be installed only in accordance with these instructions.

PTO50, PTO80 or PTO100 Clearance Requirements

Clearance:	Dimension	Measured From:
A: Back wall	18" (457mm)	Burner to back wall
B: Sidewall	17" (432mm)	Burner to sidewall
C: Ceiling	45" (1143mm)	Burner to Ceiling
D: Unit Base	1" (25mm)	Unit Base to Combustible
E1: Alcove Width E2: Alcove Width (PTO80) E3: Alcove Width (PTO100)	91" (2311mm) 121" (3074mm) 141" (3581mm)	Wall to Wall (Minimum)
F: Alcove Depth	60" (1524mm)	Front to Back Wall (Maximum)
Notes:	0"	No Hearth Required
Clearances shown are to both combustible/non combustible material.		

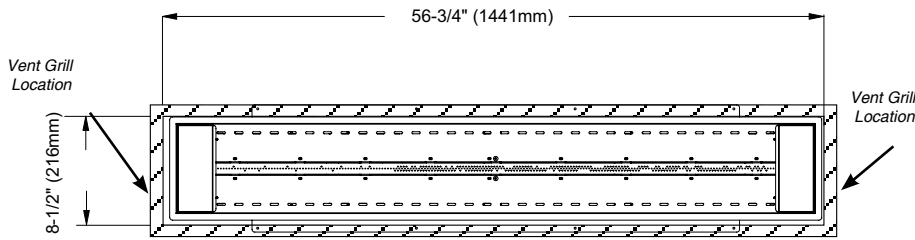


PTO50 Outdoor Decorative Gas Fireplace

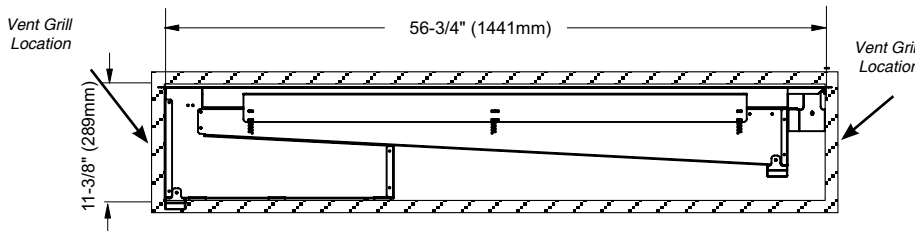
INNER FRAMING DIMENSIONS (REQUIRED)

NOTE: FRAMING MATERIAL NOT SUPPLIED

PTO50



TOP VIEW



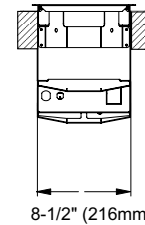
SIDE VIEW

NOTE: Framing materials must be non-combustible when used within 5" of the unit. Combustible framing materials may be used outside the 5" clearance range.

Note: The PTO30 non combustible clearance is 4", although when combining it with a PTO50 to make a PTO80 the clearance will be 5".

Finishing materials **MUST** be non-combustible.

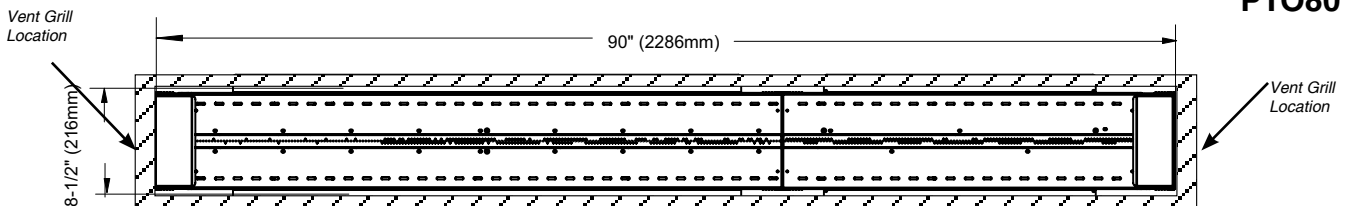
Consideration should be given to weather / elements when choosing framing materials (ie. treated lumber, steel stud).



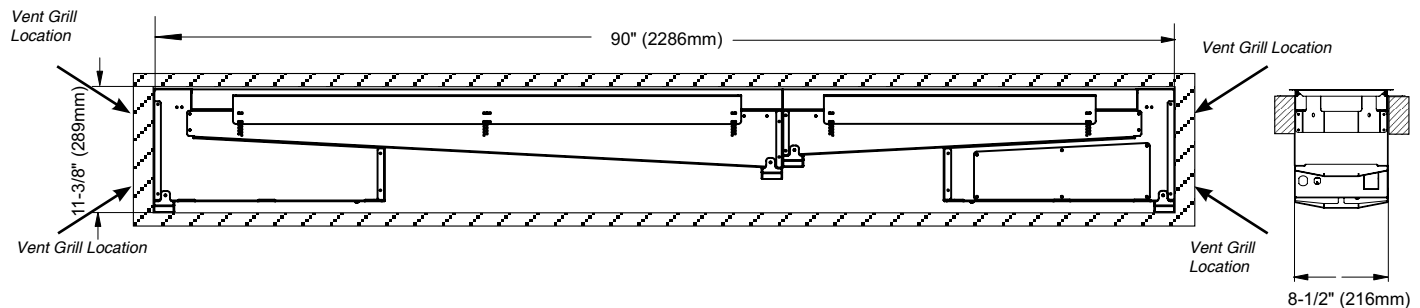
END VIEW

NOTE: PTO50 - Two (2) ventilation grills are required for all enclosures. This is to alleviate moisture and allow for air to circulate. Minimum recommended size 20" sq (508 mm²) ea. The ventilation grills must be located at the ends of the burner as shown.

PTO80



TOP VIEW

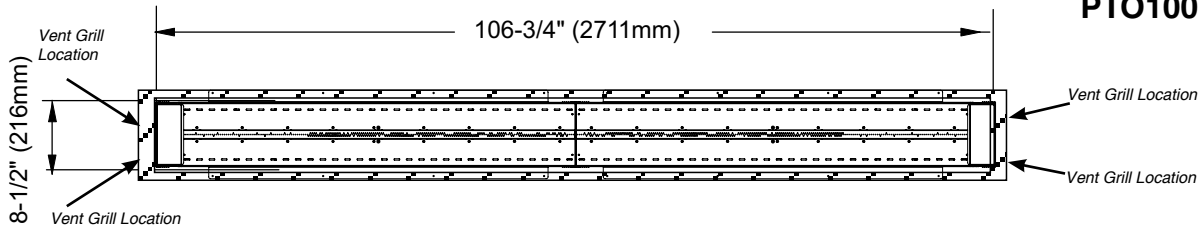


SIDE VIEW

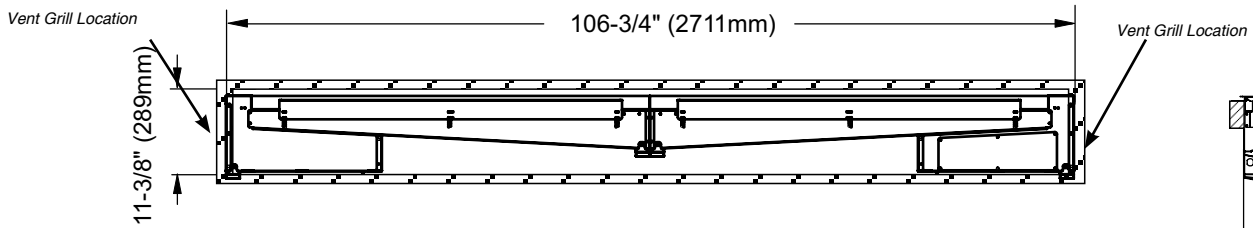
END VIEW

NOTE: PTO80 - Four (4) ventilation grills are required for all enclosures. This is to alleviate moisture and allow for air to circulate. Minimum recommended size 20" sq (508 mm²) ea. The ventilation grills must be located at the ends of the burner as shown.

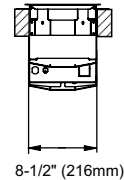
PTO100



TOP VIEW



SIDE VIEW



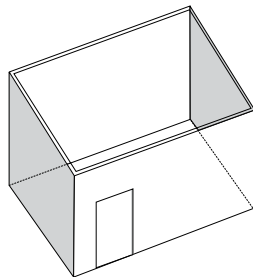
END VIEW

NOTE: PTO100 - Four (4) ventilation grills are required for all enclosures. This is to alleviate moisture and allow for air to circulate. Minimum recommended size 20" sq (508 mm²) ea. The ventilation grills must be located at the ends of the burner as shown.

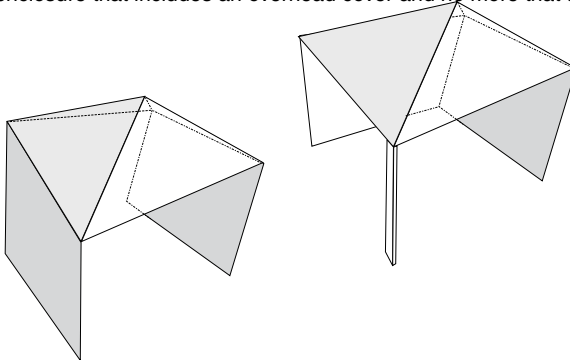
LOCATING YOUR OUTDOOR DECORATIVE GAS APPLIANCE

- 1) When selecting a location for your outdoor decorative gas appliance, ensure that the clearances are met.
- 2) This appliance must be installed in an open-air situation with natural ventilation, without stagnant areas, where gas leakage and products of combustion are rapidly dispersed by wind and natural convection.
- 3) Certain materials or items, when placed under or near the appliance, will be subjected to radiant heat and could become damaged.
- 4) Typically an outdoor space is not enclosed but, any enclosure in which the appliance is used shall comply with one of the following:

An enclosure with walls on all sides, but at least one permanent opening at ground level and no overhead cover.



Within a partial enclosure that includes an overhead cover and no more than two walls.



Within a partial enclosure that includes an overhead cover and more than two walls, the following shall apply:

- At least 25% of the total wall area is completely open, and
- At least 30% of the remaining wall area is open and unrestricted

30% or more in total of the remaining wall area is open and unrestricted.

