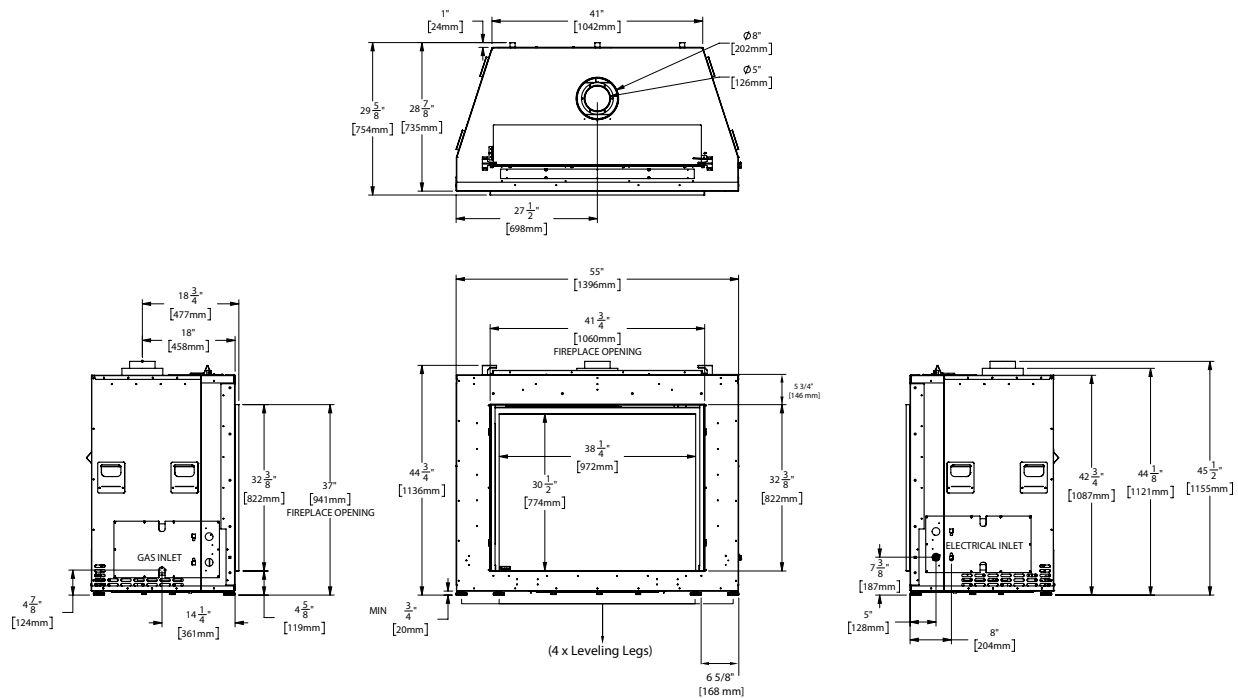


# GRANDVIEW G1200P GAS FIREPLACE

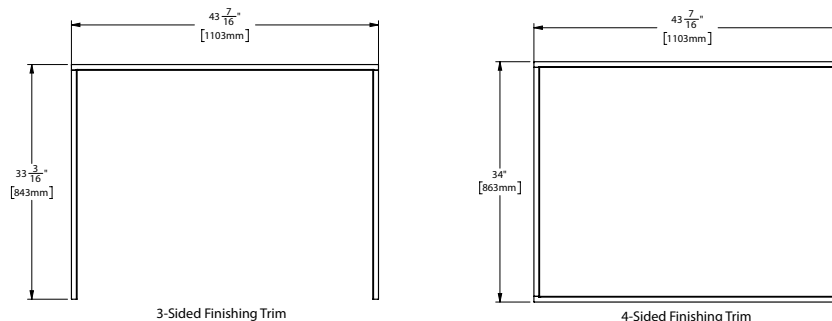
MODEL	G1200P-NG	G1200P-LP
Fuel Type	Natural Gas	Propane
Min. Supply Pressure	5" W.C. (1.25 kPa)	11" W.C. (2.74 kPa)
Manifold Pressure - High	3.5" W.C. (0.87 kPa)	10" W.C. (2.49 kPa)
Manifold Pressure - Low	1.6" W.C. (0.39 kPa)	6.4" W.C. (1.60 kPa)
Orifice Size - Altitude 0-4500 ft	Left #46 DMS Middle #45 DMS Right #45 DMS	Left #56 DMS Middle #56 DMS Right #55 DMS
Minimum Input Altitude 0-4500 ft. (0-1372m)	13,500 Btu/h (3.96 kW)	13,500 Btu/h (3.96 kW)
Maximum Input Altitude 0-4500 ft. (0-1372m)	53,000 Btu/h (15.53 kW)	53,000 Btu/h (15.53 kW)
CSA P.4.1 Fireplace Efficiency (FE)	66.58%	67.96%



## Unit Dimensions



## Minimum Fireplace Dimensions



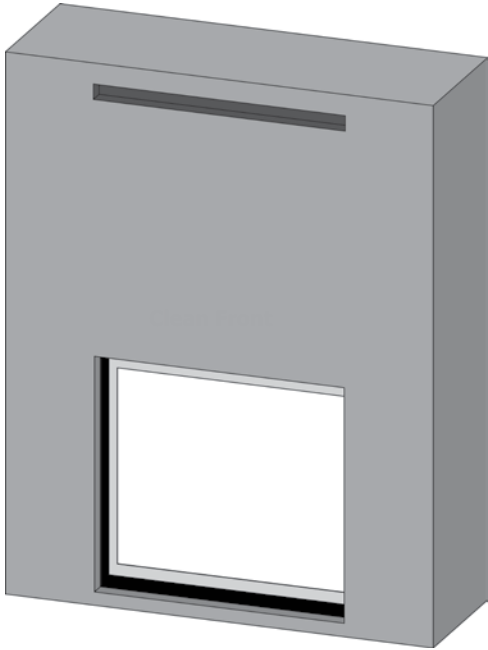
Note: Gas connection is from the left hand side of the appliance & electrical connection on right hand side of the appliance. A metal receptacle box is supplied/ installed with the appliance to make all 120 volt electrical connections.

## Cool Wall Installation (Combustible Finishing)

Cool Wall Install:

- Vented chase required
- Combustible material can be used all around the fireplace
- Combustible framing

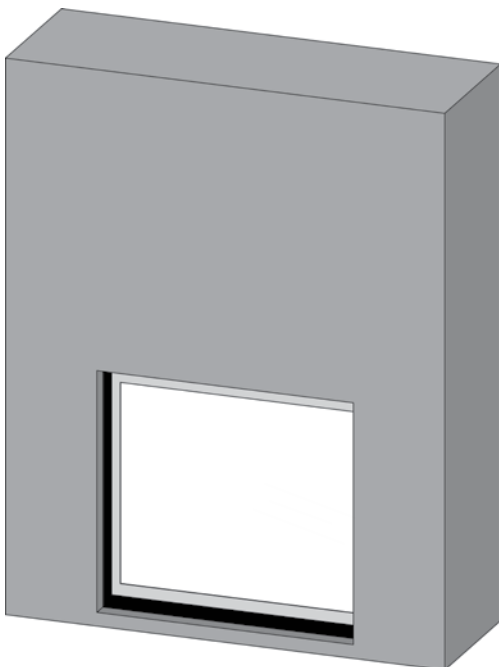
**Note: Fan option is not permitted with Cool Wall Installation.**



## Non Cool Wall Installation (Non Combustible Finishing)

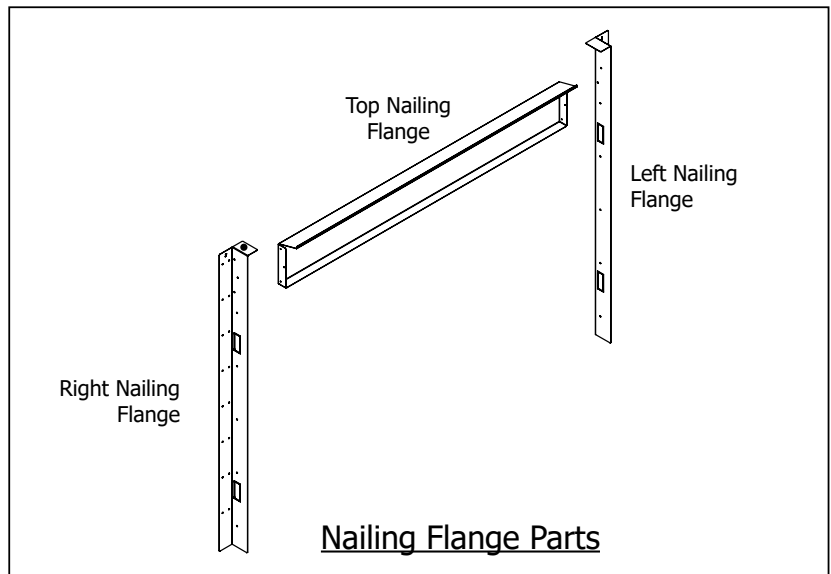
Install:

- No vent chase required
- Non-combustible board required
- Combustible framing



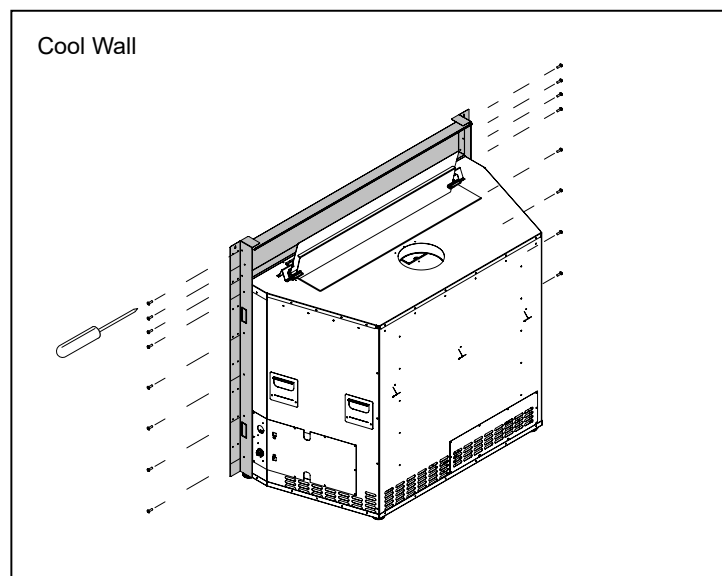
## Unit Assembly Prior to Installation (Nailing Flange Installation) - Cool Wall/Non Cool Wall

**IMPORTANT:** The installation of the nailing flanges differ depending if this will be a cool wall or non cool wall installation. See following nailing flange installation instructions for both cool wall/non cool wall.



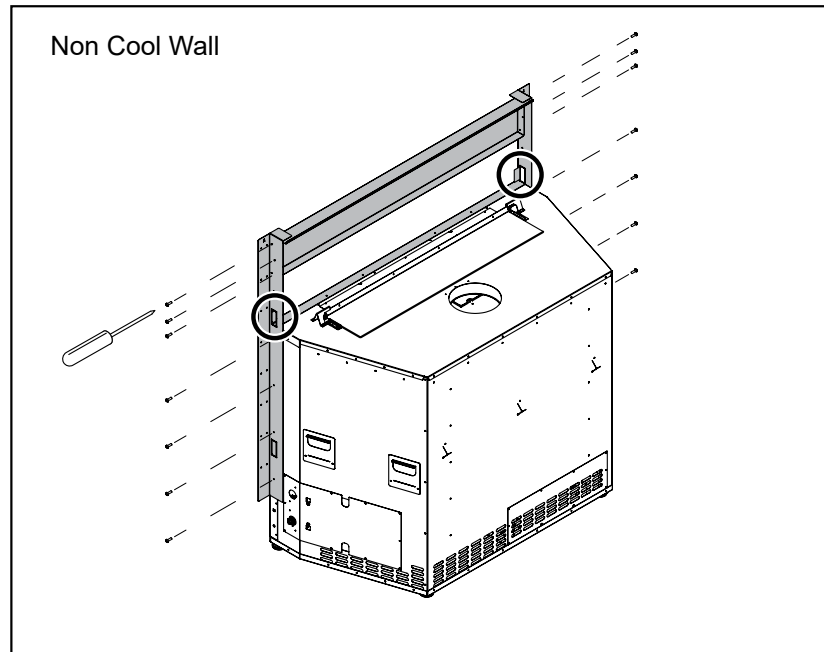
### Cool Wall Nailing Flange Installation

1. Attach top and side nailing flanges using 6 screws provided in manual package.
2. Rest top nailing flange on unit and attach sides to unit using 5 screws each.
3. Bend tabs outwards from nailing flanges to provide 1" spacing off unit for framing.



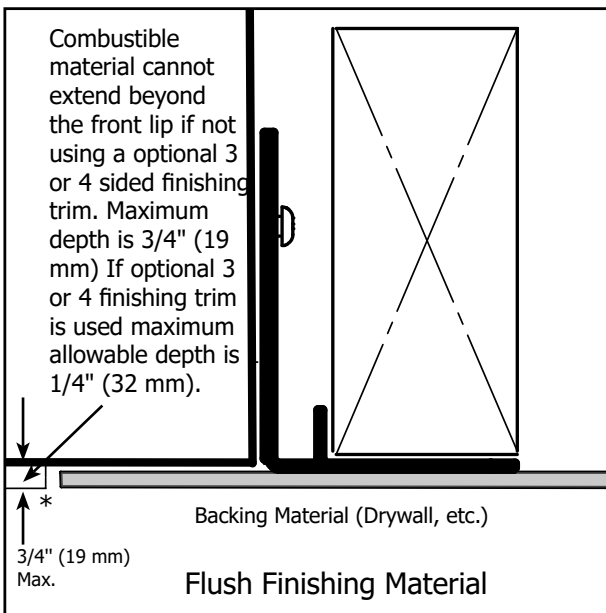
## Non Cool Wall Nailing Flange Installation

1. Attach top and side nailing flanges using 6 screws provided in manual package.
2. Bend upper tabs inwards and rest these on unit top to set height. Attach sides to unit using 4 screws each.
3. Bend lower tabs outwards from nailing flanges to provide 1" spacing off unit for framing.

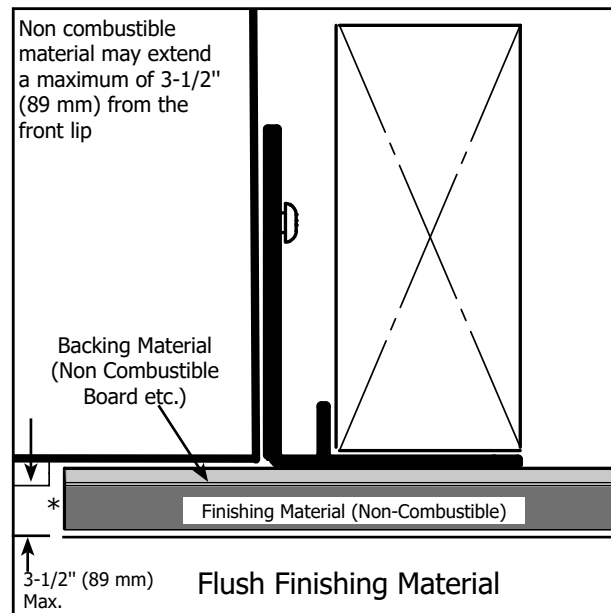


### Facing and Finishing Details Cool Wall/Non Cool Wall

TOP VIEW - COOL WALL



TOP VIEW - NON COOL WALL



\*If using a finishing trim, a 1/4" (6 mm) gap must be maintained on both sides of the fireplace to allow the optional 3 or 4-sided finishing trim to be installed and removed. If a finishing trim is not being used, do not leave any gap.

The optional finishing trim can be adjusted from 1/2" (13 mm) minimum to 1-1/4" (32 mm) maximum depending on finishing depth. This finishing trim will not work with materials thicker than 1-1/4" (32 mm)

## Cool Wall Clearances

The clearances listed below are minimum distances unless otherwise stated.

A major cause of chimney related fires is failure to maintain required clearances (air space) to combustible materials. It is of the greatest importance that this fireplace and vent system be installed only in accordance with these instructions.

### Caution Requirements

The top, back and sides of the fireplace are defined by standoffs. The metal ends of the standoff may **NOT** be recessed into combustible construction.

### WARNING

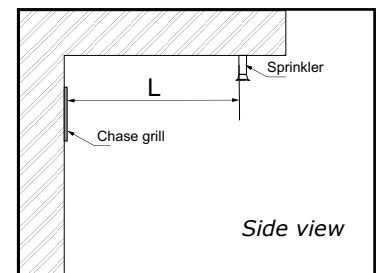
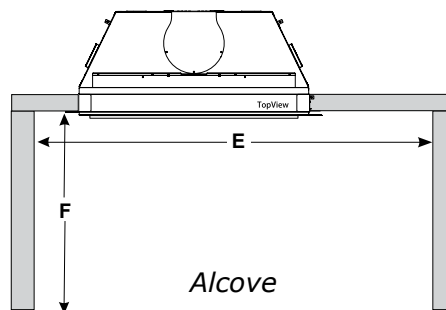
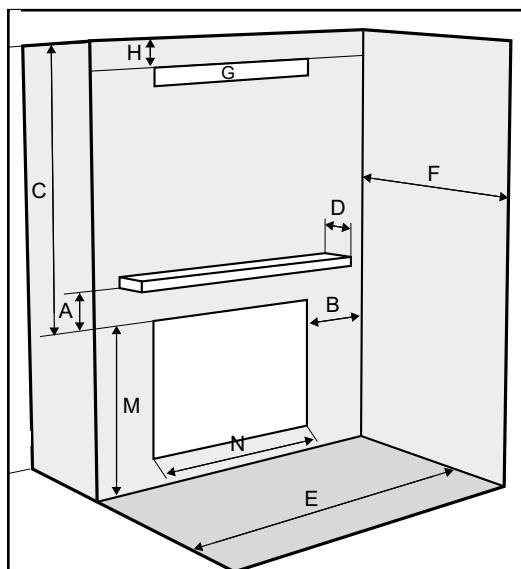
**Fire hazard is an extreme risk**  
**If these clearances (air space) to combustible materials are not adhered to. It is of greatest importance that this fireplace and vent system be installed only in accordance with these instructions.**

### G1200P Clearance Requirements—Cool Wall Installations

Clearance:	Cool Wall	Measured From:
A: Mantel Height (Min.)	6" (152 mm)	Top of Fireplace Opening
B: Sidewall	18" (457 mm)	Side of Fireplace Opening
C: Ceiling	53" (1346 mm)	Top of Fireplace Opening
D: Mantel Depth (Max.)	12" (305 mm)	Front of Fireplace Opening
E: Alcove Width	84" (2134 mm)	Wall to Wall (Minimum)
F: Alcove Depth	36" (914 mm)	Front to Back Wall (Maximum)
G: Convection Air Outlet	180 sq. in	Top/Front of Enclosure
H: Convection Air Outlet Opening Ceiling Offset	1-1/2" (38 mm)	Top of Chase Vent Opening See this manual for full details
L: Clearance to Sprinkler Head (Min.)	36" (914 mm)	Perpendicular From Chase Grill
M : Reference Dimension Only	37" (940 mm)	From Fireplace Base To Top Of Fireplace Opening/Lip
N : Reference Dimension Only	41-3/4" (1060 mm)	From Fireplace Opening/Lip
Notes: No Hearth Required	0"	From below leveling legs.

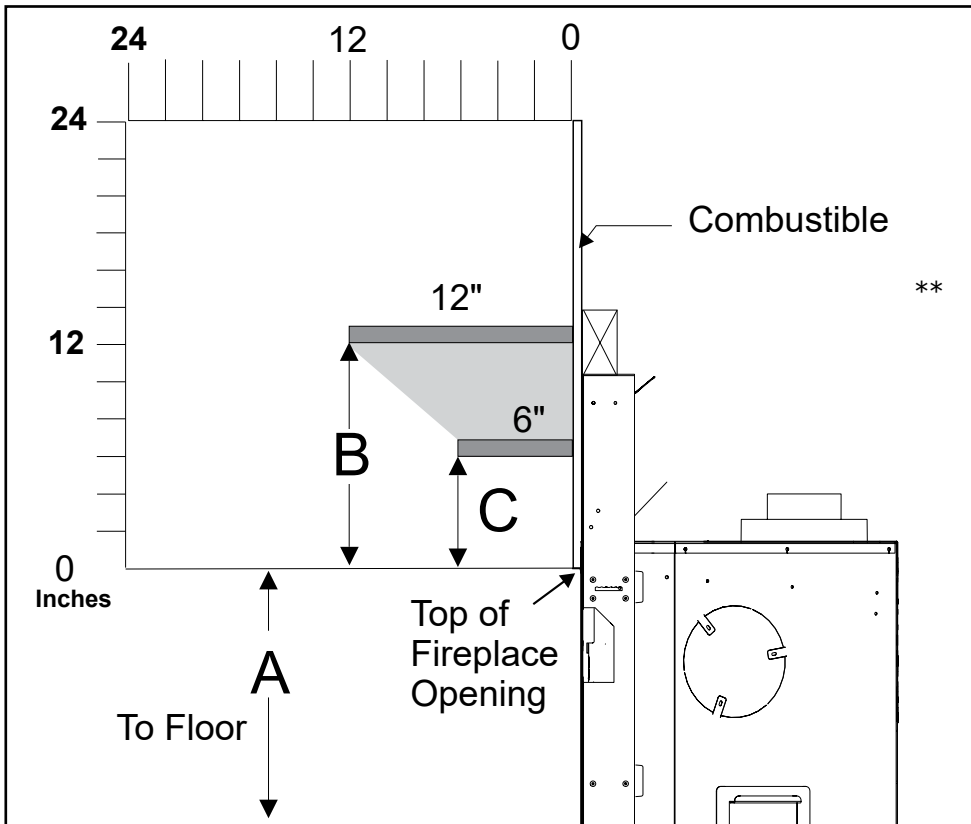
**IMPORTANT** - \*A minimum of 180 square inches of open area. Chase enclosure ceiling must be flush with ventilation opening required for all cool wall installations — this can be achieved by having an open area in front. See manual for details.

Note: If installing a hearth in front of the appliance see Hearth installation section in this manual for full details.



## Cool Wall Mantel Clearances

Due to the extreme heat this fireplace emits, the mantel clearances are critical. Combustible mantel clearances from top of front facing are shown in the diagram below.

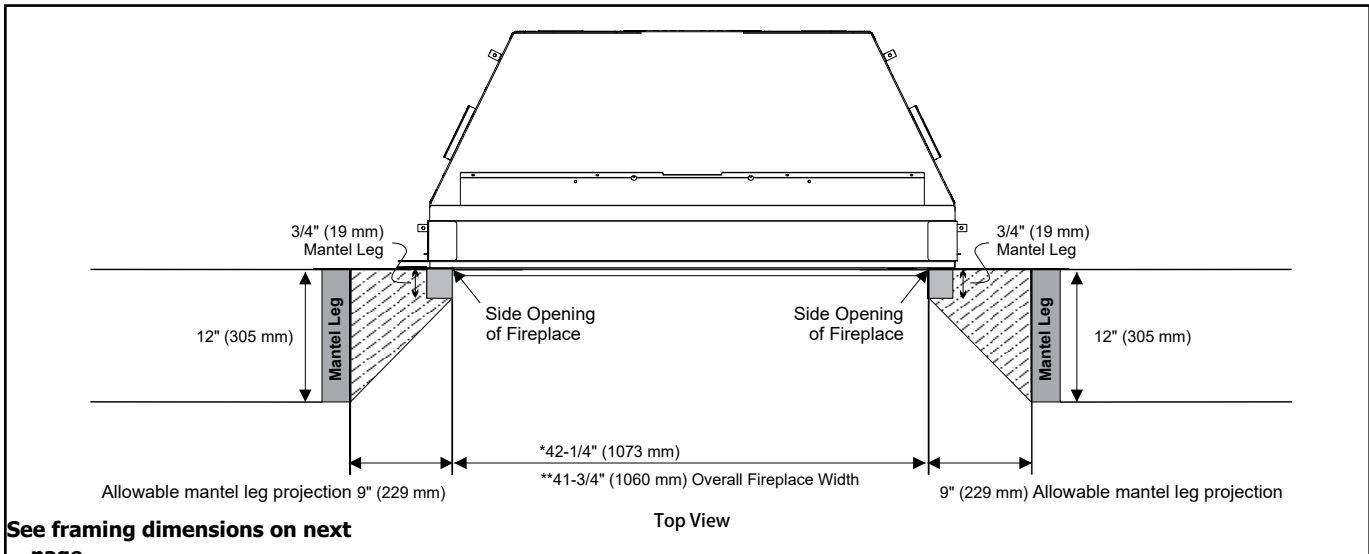


Mantel Clearances G1200P	*A	B	C
From Top of Fireplace Opening	37" (940 mm)	12" (305 mm)	6" (152 mm)

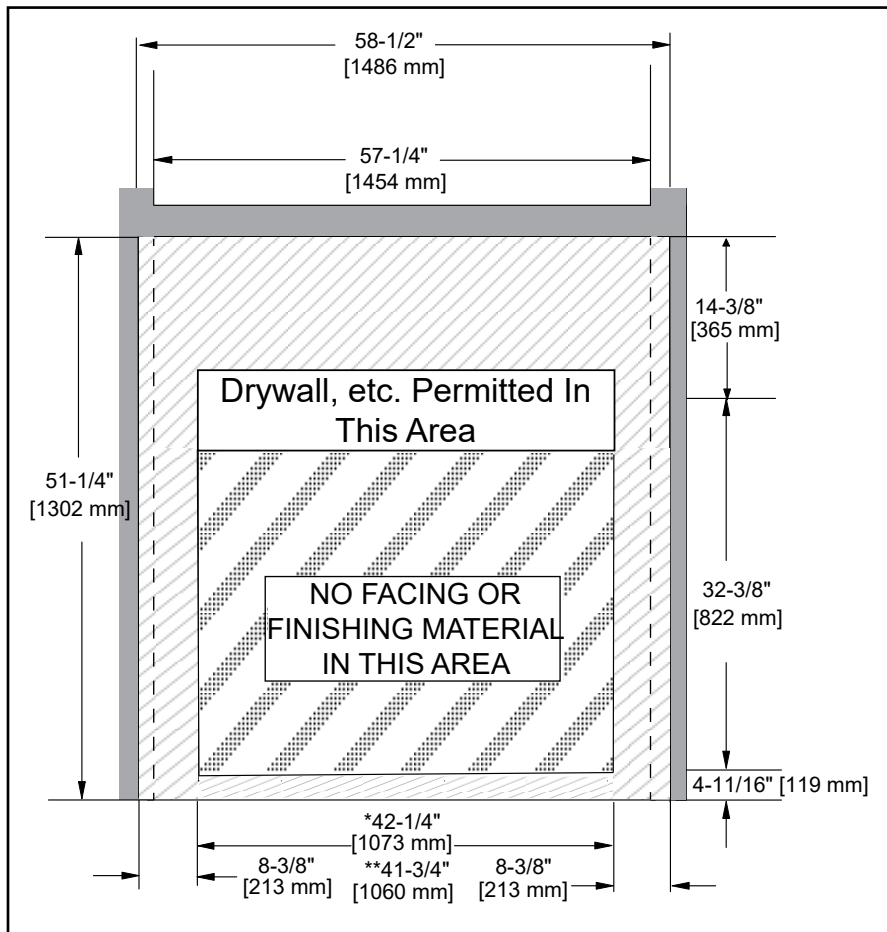
**Note:** Ensure the paint that is used on the mantel and the facing is "High Quality" or the paint may discolour.

\*Measurement taken is from base of fireplace to top of fireplace opening/lip.

### Cool Wall Mantel Leg Clearances (Clean Front Finish)



### Cool Wall Installation (Cool Wall) - Combustible Materials



\*A 1/4" (6 mm) gap must be maintained on both sides of the fireplace to allow the optional 3 or 4-sided finishing trim to be installed and removed.  
 \*\*If not using the optional 3/4 sided finishing trim.

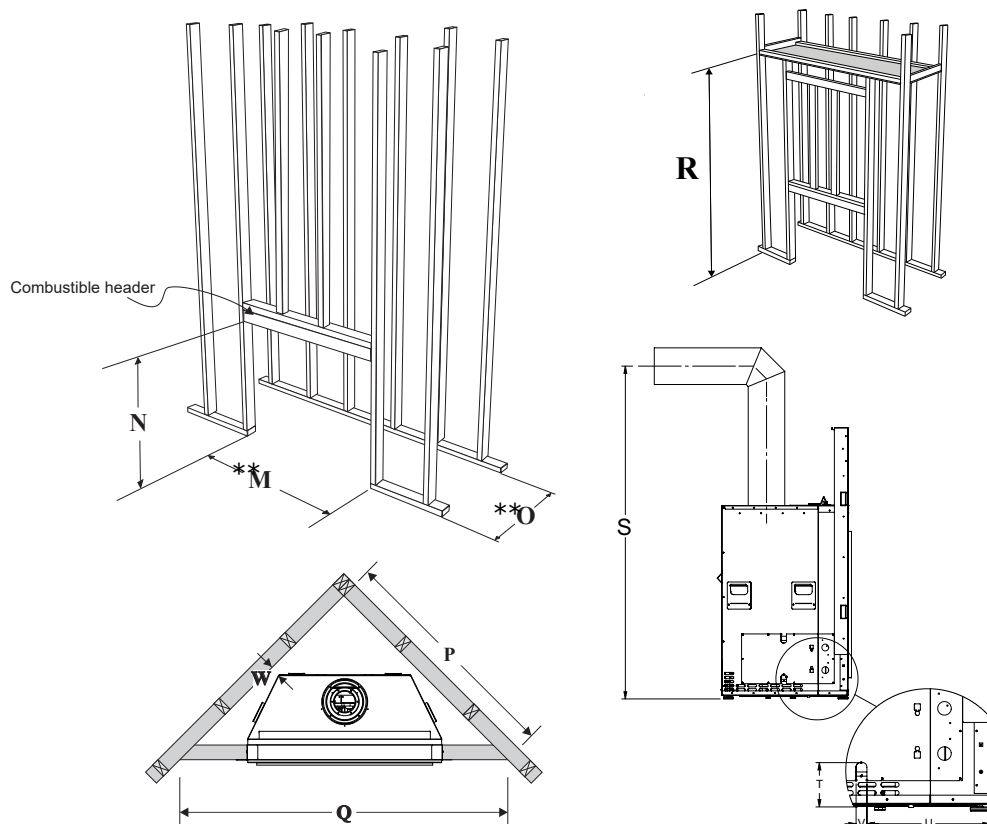
## Cool Wall Installation 2 x 4 or 2 x 6 - Framing

**NOTE: Framing may be constructed of combustible material (i.e. 2 x 4/2 x 6) and does not require steel studs.**

Framing Dimensions	Description	Cool Wall
M	Framing Width	57-1/4" (1454 mm)
N*	Framing Height	51-1/4" (1302 mm)
O	Framing Depth	29" (737 mm)
P	Corner Facing Wall Width	70-1/2" (1791 mm)
Q	Corner Facing Wall Width	99-3/4" (2534 mm)
R	Framed Chase Ceiling Enclosure	*88" (2235 mm)
S	Vent Centerline Height	75-1/2" (1918 mm)
T	Gas Connection Height	4 7/8" (124 mm)
U	Gas Connection Inset	13 3/4" (349 mm)
V	Gas Connection Width	1 1/4" (32 mm)
W	Clearance to Corner of Unit	1" (25 mm)

**\* Important: Framing height requires consideration of the hearth height. Dimension N = N + the thickness of the installed hearth.**

Note: Standoffs required in all installations.

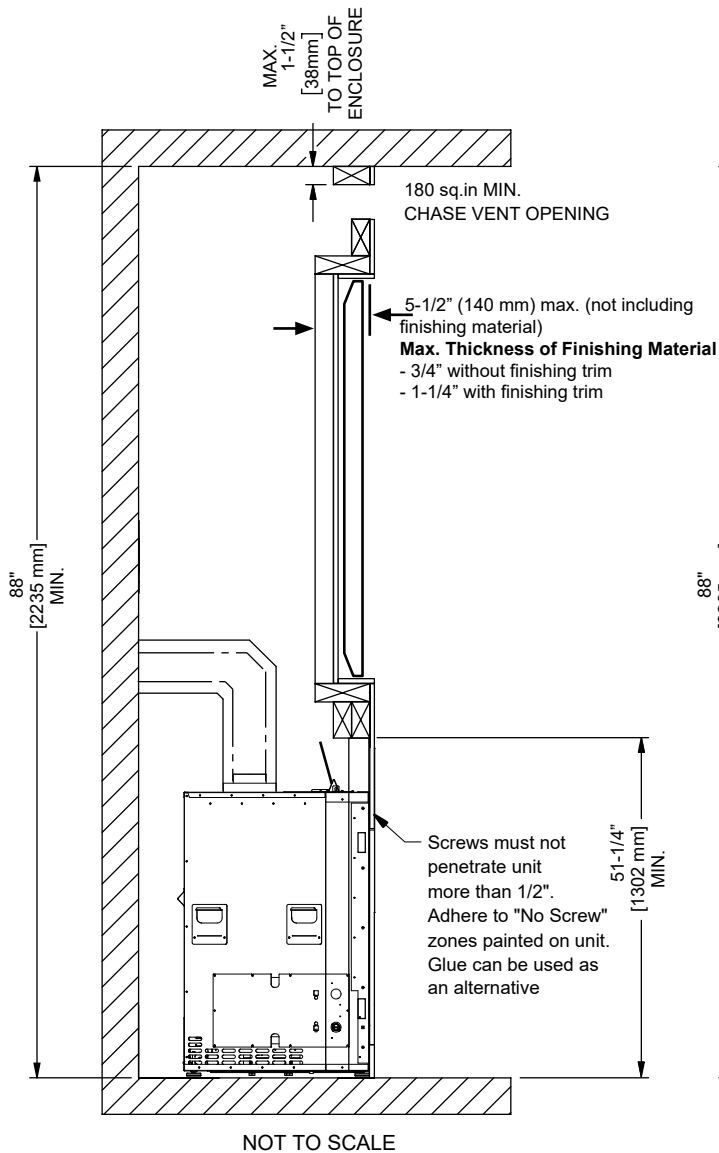


\*\*The framing depth/width does not take into account dry wall/wood or similar materials against the back /side wall. The framing depth will need to change based on the thickness of the material  
 (example: M - 57-1/4"/1454 mm framing width + 1/2" drywall x 2 Both Sides = 58-1/4"/1479 mm)  
 (example: O - 29"/737 mm framing depth + 1/2" drywall = 29-1/2"/749 mm)

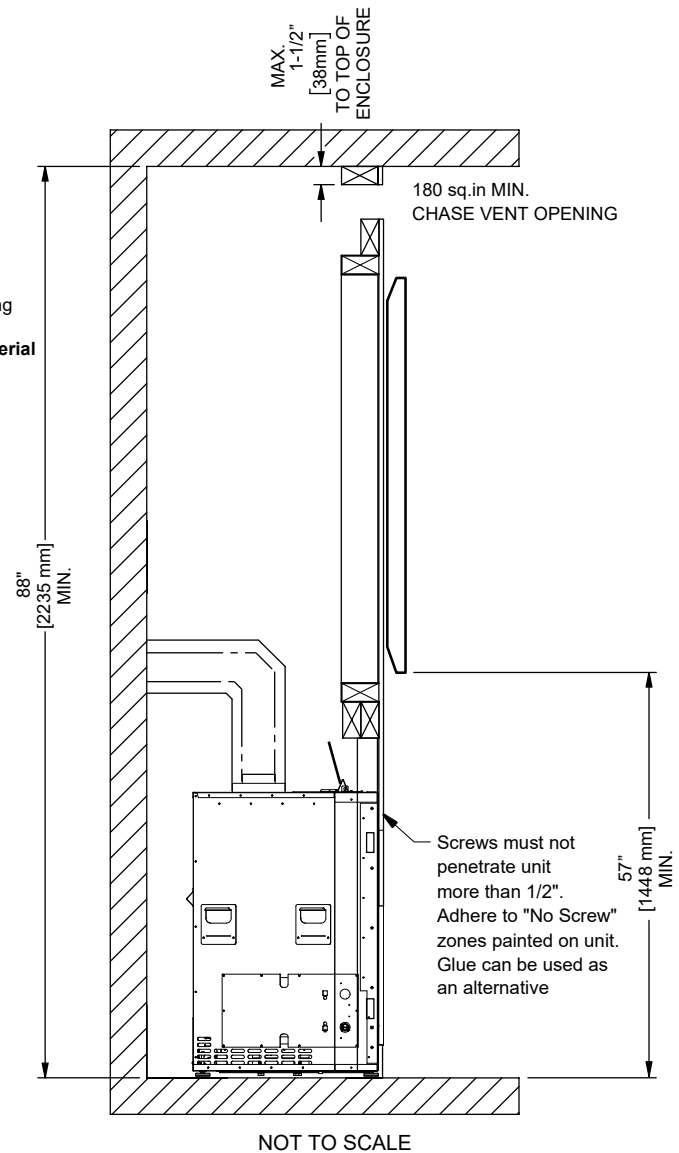


## Cool Wall TV Recess

### Maximum TV Recess



### Flush TV with Hearth/Finished Floor

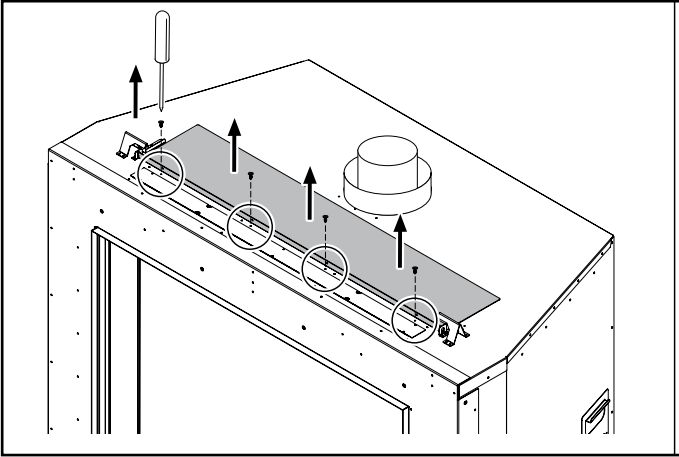


Note: The TV mounting bracket cannot be secured directly to the appliance. It must be secured to the framing.

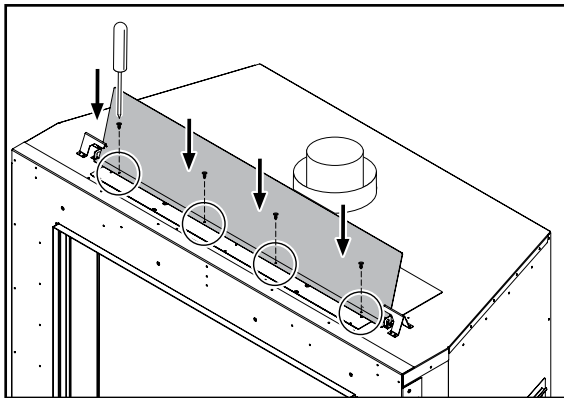
- The clearances noted are recommendations only and not a guarantee of compliance with all TV manufacturer's maximum allowable operating temperatures.
- It is the responsibility of the user to check the TV installation instructions to ensure that the location of the TV in relation to the fireplace is suitable.
- Most television manufacturers instruct the user to not place the television above any heat source. Doing so may negatively affect the longevity of the television and may negate the warranty.
- If you do place a television above the fireplace, please be aware of the amount of heat the fireplace generates. Regency in no way guarantees or takes responsibility for the suitability of the above installation for all homes, or any negative impacts from placing a TV above the fireplace, including damage to the TV.

## Cool Wall Installation - Cool Wall Conversion

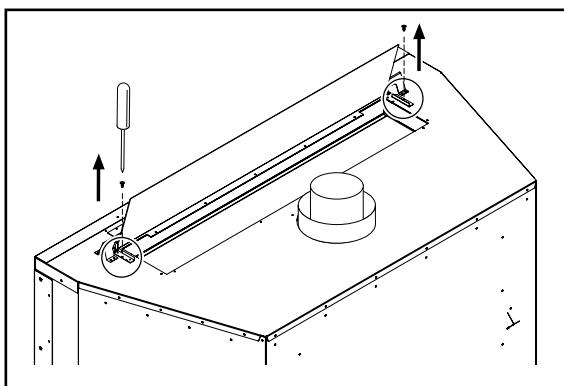
1. Remove four (4) screws shown.



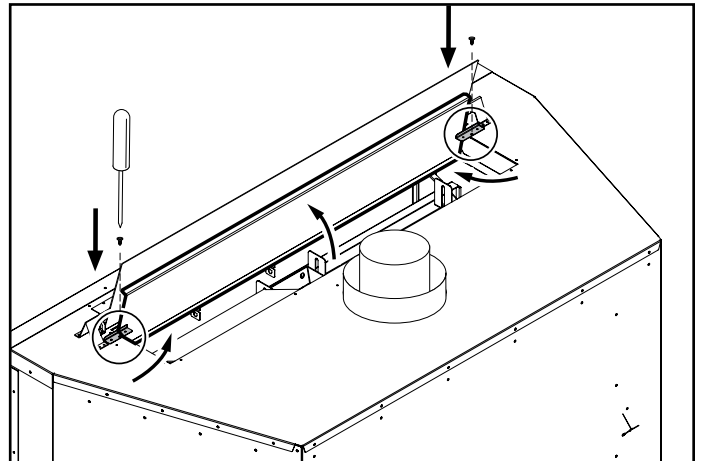
2. Lift outer cover and secure with the 4 screws removed in step 1.



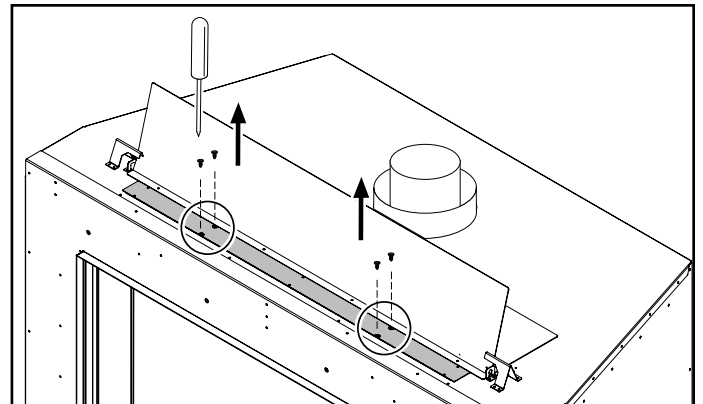
3. Remove two (2) screws shown.



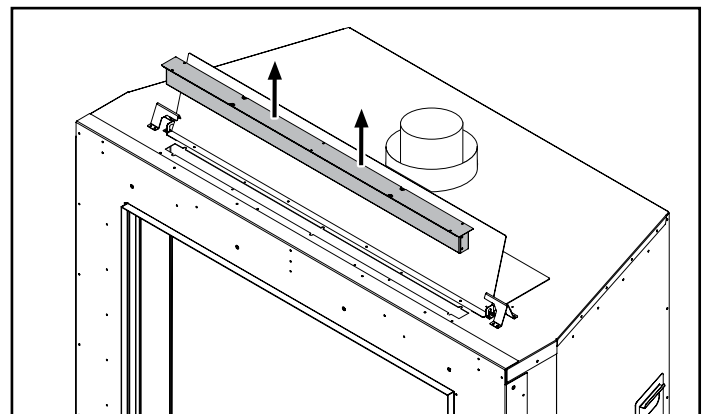
4. Lift inner door and rotate tabs to lock it in place. Secure with the two (2) screws removed in step 3.



5. Remove four (4) screws shown.



6. Remove insulation tray and discard.

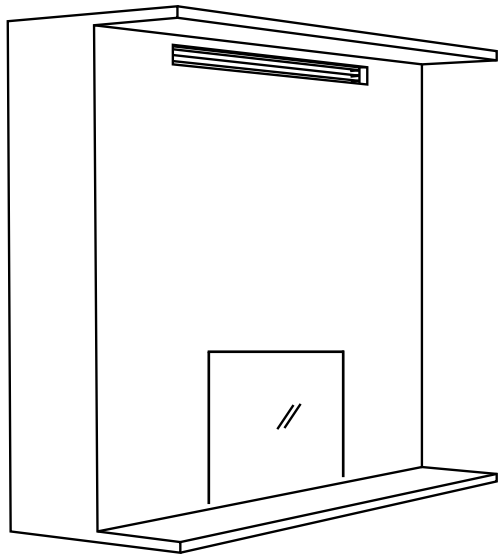


## Chase Venting (Cool Wall)

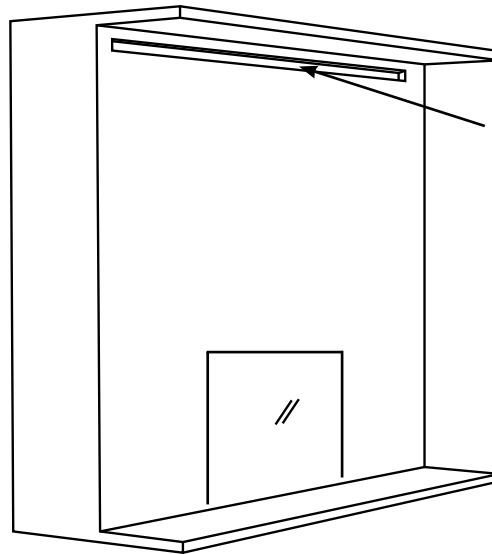
Note: The enclosure opening cannot be any lower than 1-1/2" from the top of the enclosure for all installations. Minimum height of enclosure from base of appliance is 88" (2235 mm). See details on next page.

A minimum 180 sq. in opening in the enclosure is required to maintain safe operating temperatures. This can be achieved in a number of ways including the examples shown below.

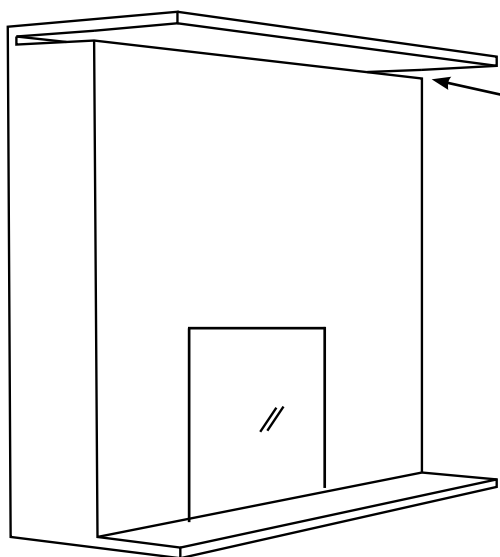
Warning: DO NOT cover or place objects in front of the air outlet(s).



Regency Chase Vent



Custom chase vent



Reveal at the chase top

## Chase Enclosure (Cool Wall)

When choosing to install the ventilation openings from the front, the top of the ventilation opening cannot be any lower than 1-1/2" (38mm) from the top of the chase enclosure for all installations.

Minimum height of enclosure from base of appliance is 88" (2235 mm).

A minimum 180 sq. in opening in the enclosure is required to maintain safe operating temperatures. This can be achieved in a number of ways including the examples shown in this manual.

### IMPORTANT:

**Exterior wall/Alcove enclosure:** When installing into an exterior cavity or alcove enclosure (ceiling, back and sides), regardless of where appliance is placed within the home, requires the use of either drywall or other means such as plywood, wood studs, etc. to prevent heat from escaping anywhere above /through the enclosure other than the required grill/ventilation opening.

**Internal chase:** When installing as an internal chase framing installation, regardless of where appliance is placed within the home, requires the use of either drywall or other means such as plywood, on the rear wall of the chase to eliminate heat escaping into the rear wall cavity. If the chase is extended to the ceiling, the ceiling will also need to be finished in a manner to prevent heat escaping into floor joist/attic space.

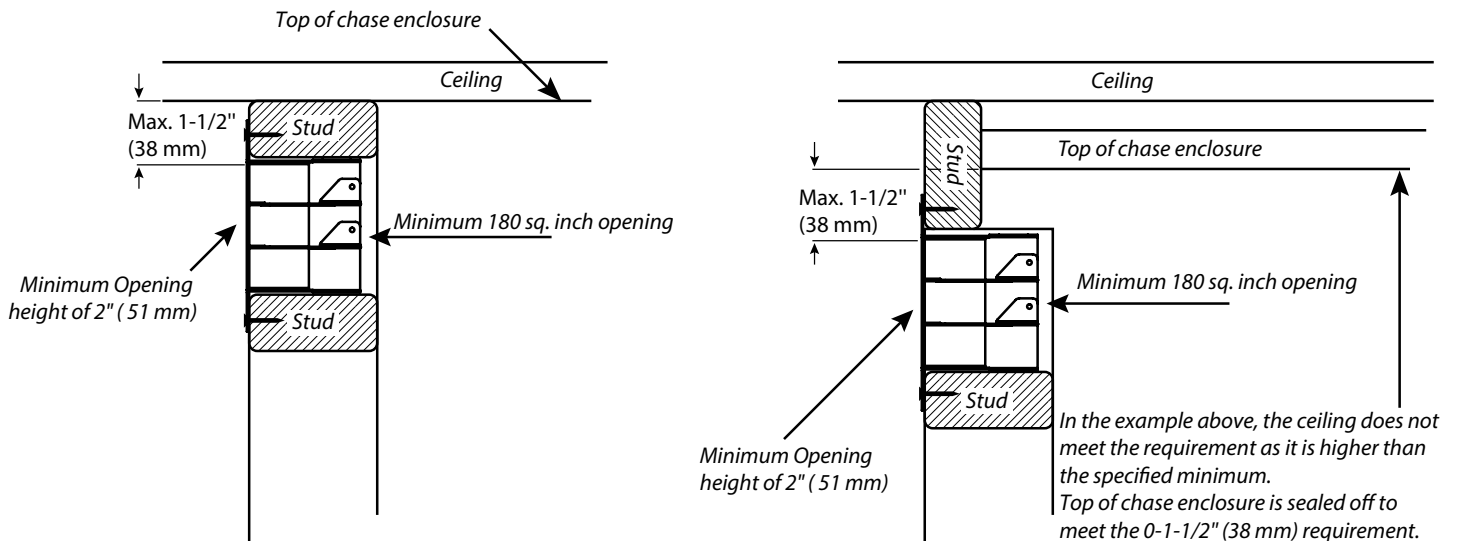
One of the following methods must be used to prevent the heat from escaping.

- If choosing drywall, ensure that the drywall is butt up tight with no gaps.
- Plywood, wood studs, etc. installed tightly with no gaps.

As this appliance has been designed with all hot air escaping through the chase enclosure ventilation/grill openings only, if hot air is trapped as a result of the hot air escaping through joints, crevasses, open studs, or other openings within the enclosure above, this will change the clearances within the enclosure causing the enclosure to overheat. It is vital that all the hot air from within the enclosure exits through the ventilation openings only.

Ensure that the ventilation openings are made as such to prevent debris, objects from falling into the enclosure.

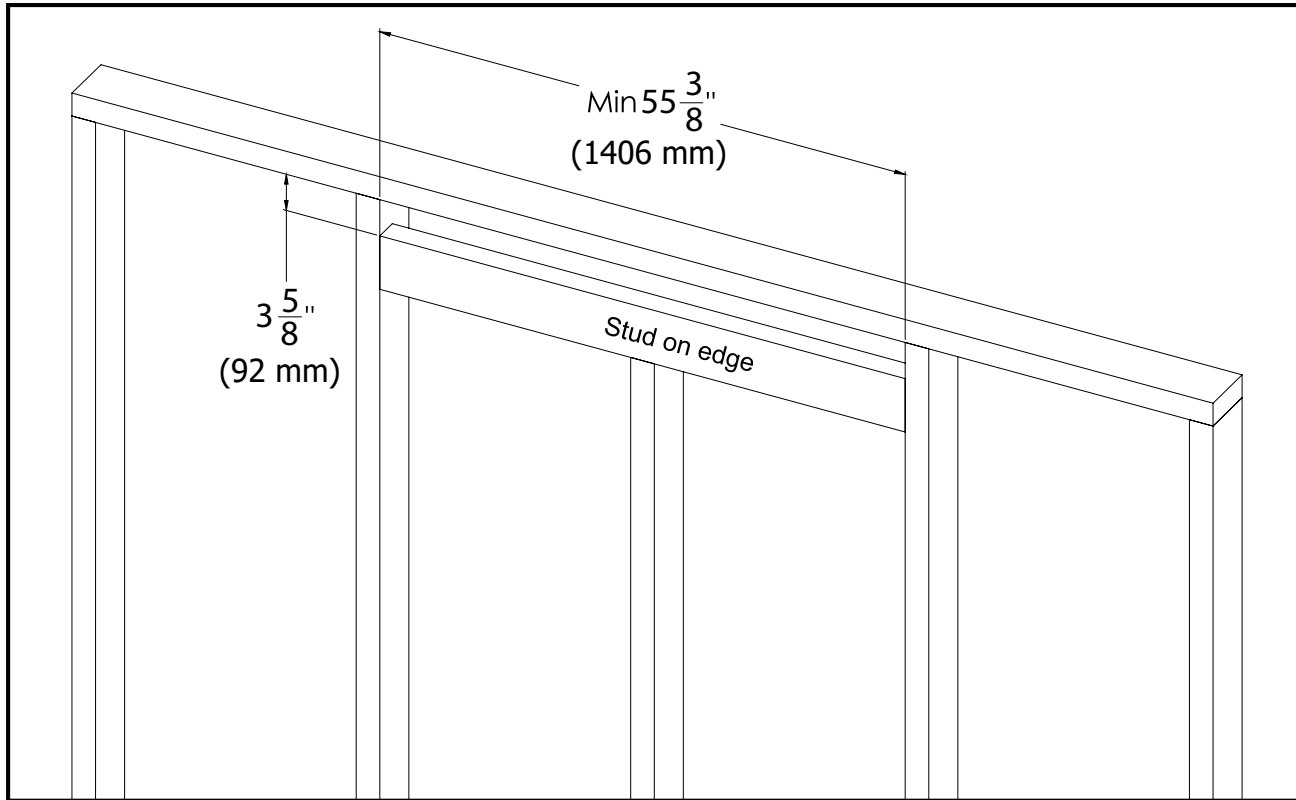
Warning: DO NOT cover or place objects in front of the ventilation opening air outlet(s).



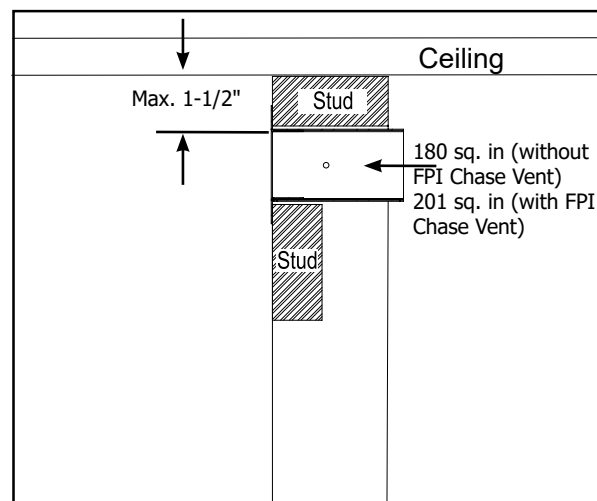
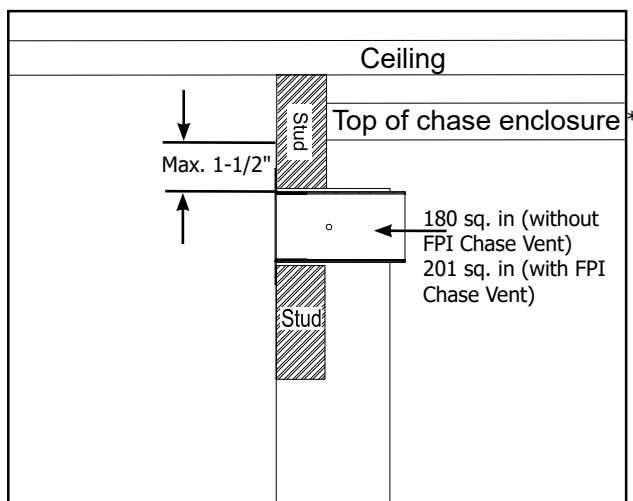
## Chase Vent Installation—Cool Wall (Part # 796 -991 Chase Vent White)

Framed Opening must be at least 3-5/8" tall, and at least 55-3/8" wide to accommodate the Chase vent. The top of the Chase vent opening must be 1-1/2" or less from the top of the chase enclosure. Fasten the Chase vent with screws and construction adhesive.

If the chase vent is not being used, a minimum 180 sq. inch opening in the enclosure is required to maintain safe operating temperatures. This can be achieved in a number of ways including a reveal at the top of the chase.



Side View



\* In the example above, the ceiling does not meet the requirement as it is higher than the specified minimum. Top of chase enclosure is sealed off to meet the 1-1/2" requirement.

## Non Cool Wall - Clearances

**Non Cool Wall installation:** Non-combustible required when installing materials right to the fireplace opening & no chase vent with this option.

The clearances listed below are minimum distances unless otherwise stated:

A major cause of chimney related fires is failure to maintain required clearances (air space) to combustible materials. It is of the greatest importance that this fireplace and vent system be installed only in accordance with these instructions.

### Caution Requirements

The top, back and sides of the fireplace are defined by standoffs. The metal ends of the standoff may **NOT** be recessed into combustible construction.

### WARNING

Fire hazard is an extreme risk if these clearances (air space) to combustible materials are not adhered to. It is of greatest importance that this fireplace and vent system be installed only in accordance with these instructions.

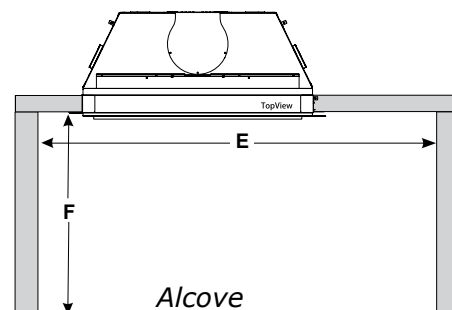
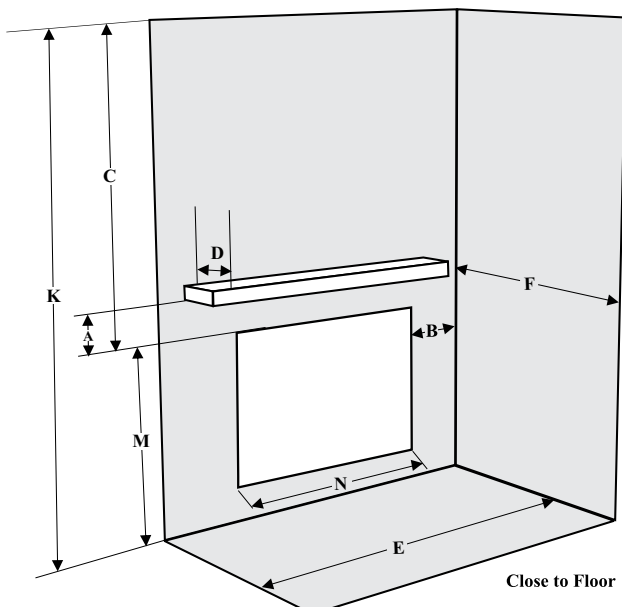
### G1200P Clearance Requirements

Clearance:	Dimension	Measured From:
<b>A: Mantel Height (min.)</b>	25" (635 mm)	Top of Fireplace Opening
<b>B: Sidewall</b>	18" (457 mm)	Side of Fireplace Opening
<b>C: Ceiling</b>	53" (1346 mm)	Top of Fireplace Opening
<b>D: Mantel Depth (max.)</b>	12" (305 mm)	Front of Fireplace Opening
<b>E: Alcove Width</b>	84" (2134 mm)	Wall to Wall (Minimum)
<b>F: Alcove Depth</b>	36" (914 mm)	Front to Back Wall (Maximum)
<b>K: Chase Enclosure Ceiling (Min.)</b>	96" (2438 mm)	From Base of Appliance Floor
<b>M: Reference Dimension Only</b>	37" (940 mm)	From Fireplace Base To Top Of Fireplace Opening/Lip
<b>N: Reference Dimension Only</b>	41-3/4" (1060 mm)	From Fireplace Opening/Lip
<b>Notes: No Hearth Required</b>	0"	From below leveling legs.

**IMPORTANT:** The clearances noted are greater than for the cool wall so pay close attention.

**Note:** If installing a hearth in front of the appliance see **Hearth installation** section in this manual for full details.

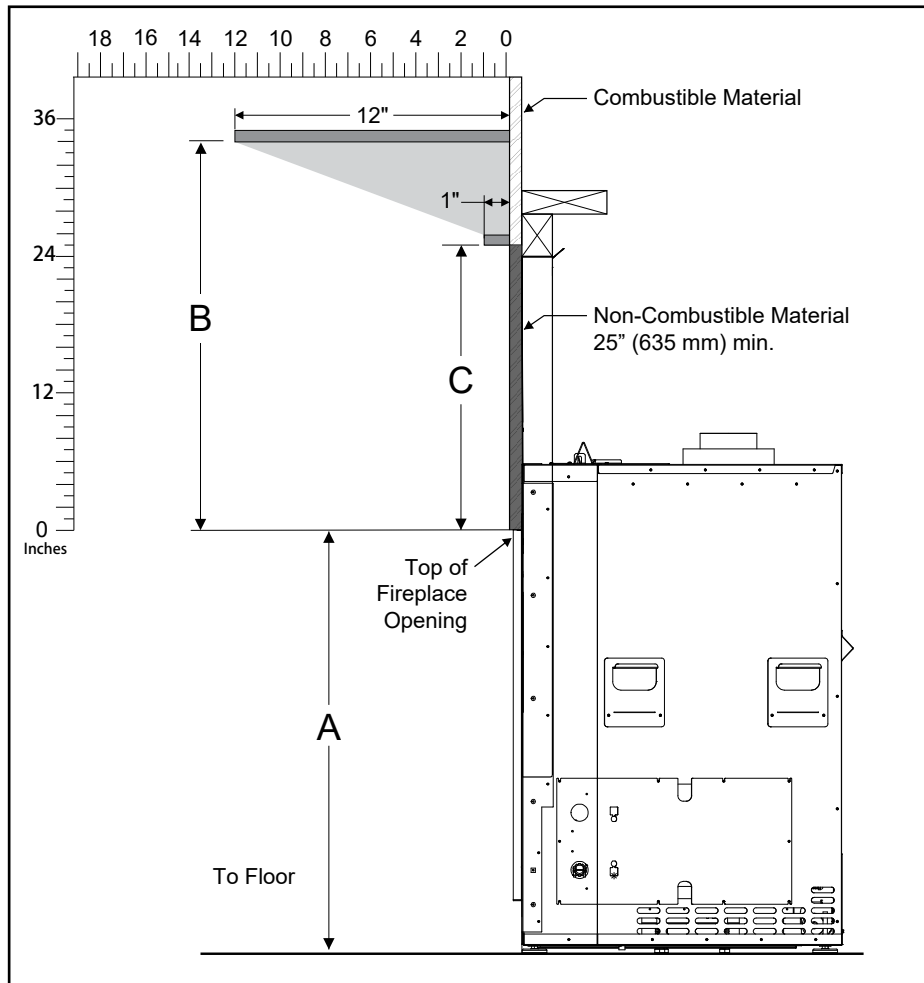
**Note :** If a TV is installed above the appliance with the non cool wall option, the TV must be protected by either a mantle or heat deflector. The mantle or heat deflector must overhang the front and both sides of the TV by a minimum of 2" (51 mm). Follow mantle clearance chart for proper installation height of TV & TV mounting bracket. If installing a heat deflector, follow the same clearance requirements as the mantle.



## Non Cool Wall - Mantel Clearances

Due to the extreme heat this fireplace emits, the mantel clearances are critical. Combustible mantel clearances from top of front facing are shown in the Diagram on the right.

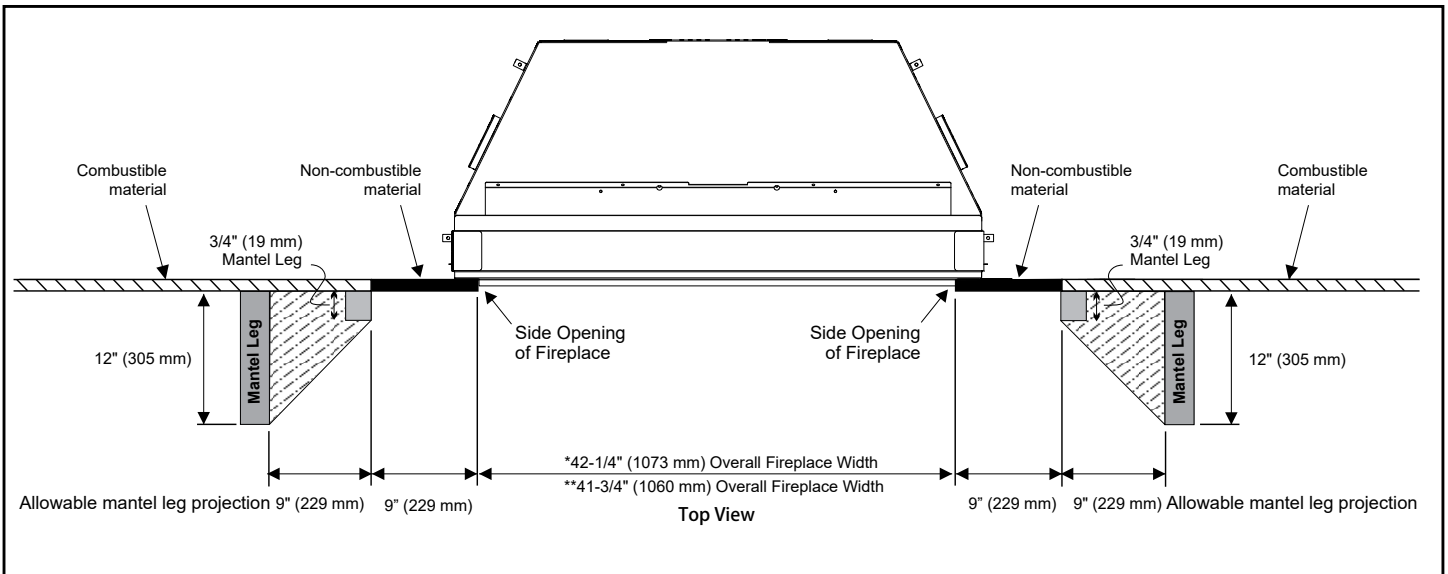
**Note: Ensure the paint that is used on the mantel and the facing is "High Quality" or the paint may discolour.**



Mantel Clearances G1200P	*A	B	C
From Top of Fireplace Opening	37" (940 mm)	34" (864 mm)	25" (635 mm)

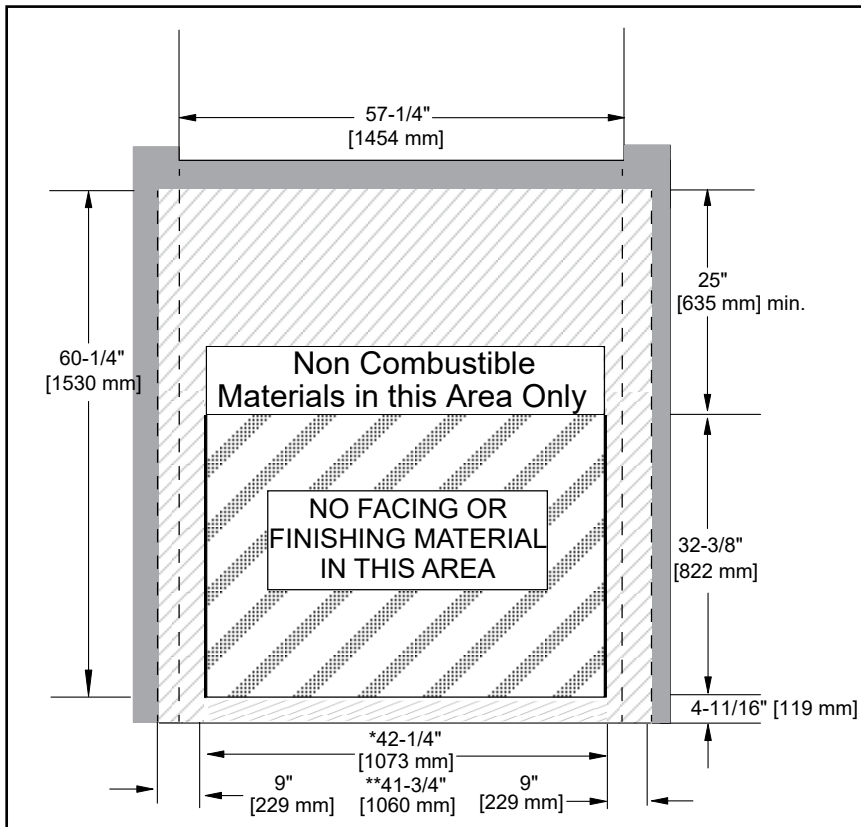
\*Measurement is taken from base of fireplace to top of fireplace opening/lip.

## Non Cool Wall - Mantel Leg Clearances



See framing dimensions on next page.

## Non Cool Wall - Non-Combustible Requirements



See framing dimensions on next page.

\*A 1/4" (6 mm) gap must be maintained on both sides of the fireplace to allow the optional 3 or 4-sided finishing trim to be installed and removed.  
 \*\*If not using the optional 3/4 sided finishing trim.

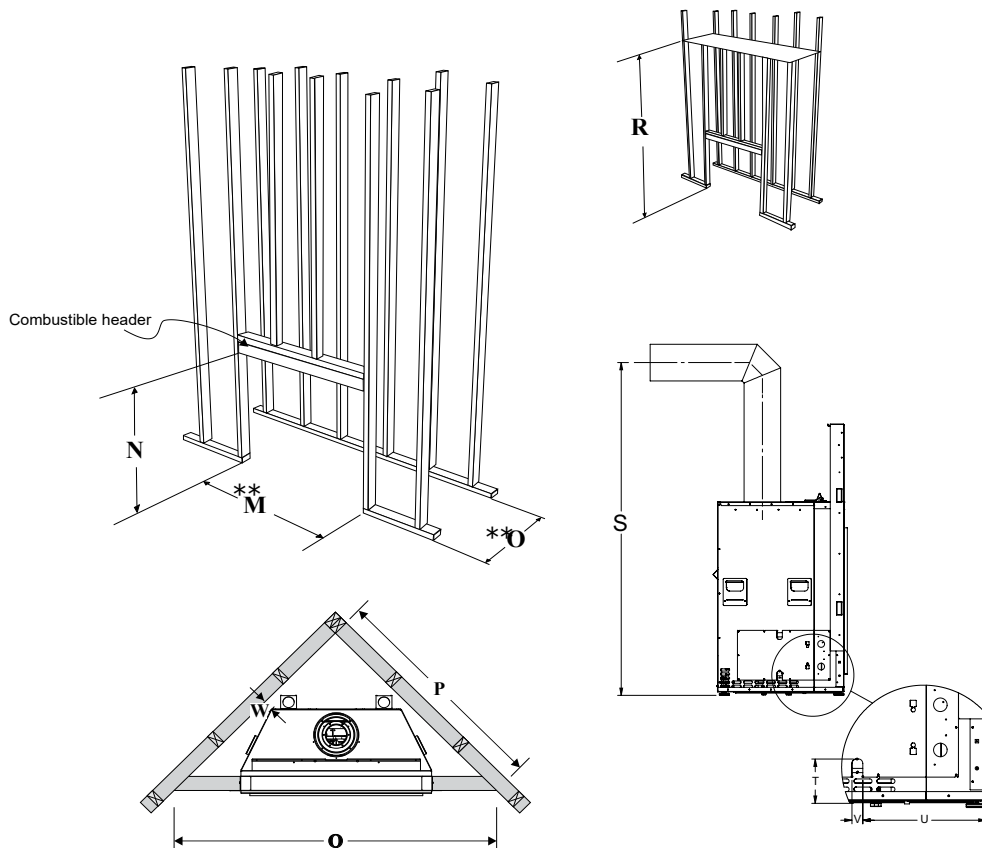


## Framing (Non Cool Wall)

**NOTE: Framing may be constructed of combustible material (i.e. 2 x 4/2 x 6) and does not require steel studs.**

Framing Dimensions	Description	G1200P - Non Cool Wall
M	Framing Width	57-1/4" (1454 mm)
N*	Framing Height	60-1/4" (1530 mm)
O	Framing Depth	29" (737 mm)
P	Corner Facing Wall Width	70-1/2" (1791 mm)
Q	Corner Facing Wall Width	99-3/4" (2534 mm)
R	Framed Chase Ceiling	96" (2438 mm)
S	Vent Centerline Height	75-1/2" (1918 mm)
T	Gas Connection Height	4-7/8" (124 mm)
U	Gas Connection Inset	13 3/4" (349 mm)
V	Gas Connection Width	1-1/4" (32 mm)
W	Clearance to corner of unit	1" (25 mm)

**\* Important: Framing height requires consideration of the hearth height. Dimension N = Height taken from bottom of leveling legs.  
Note: Standoffs required in all installations.**

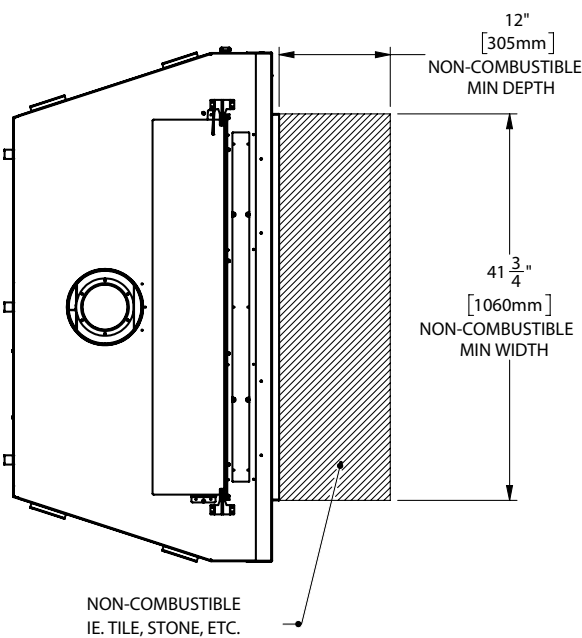
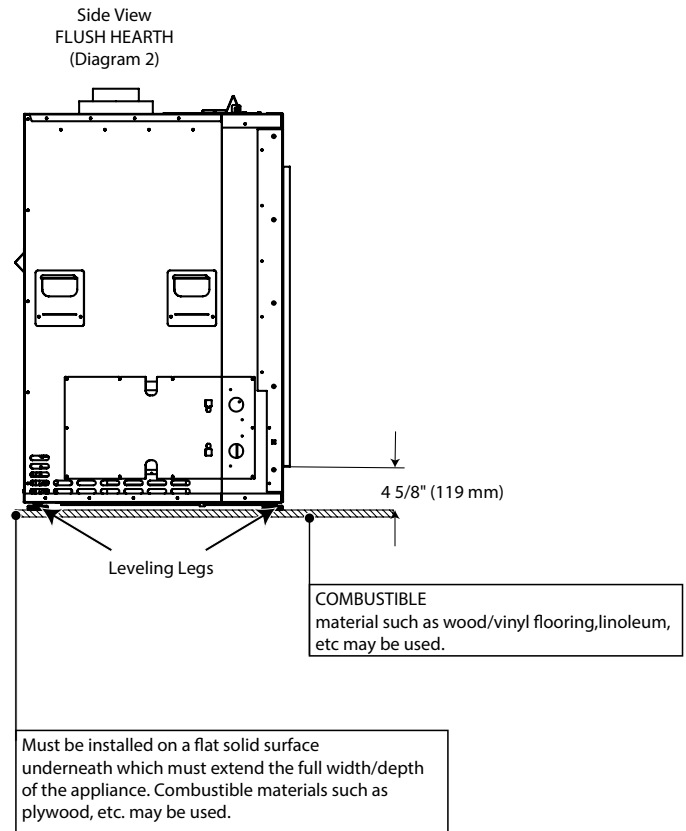
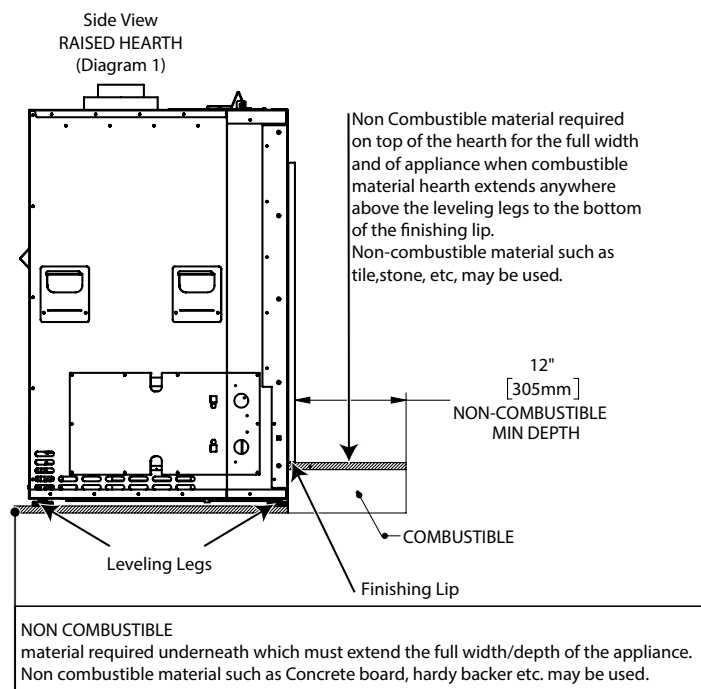


\*\*The framing depth/width does not take into account dry wall/wood or similar materials against the back /side wall. The framing depth will need to change based on the thickness of the material  
 (example: M - 57-1/4"/1454 mm framing width + 1/2" drywall x 2 Both Sides = 58-1/4"/1479 mm)  
 (example: O - 29"/737 mm framing depth + 1/2" drywall = 29-1/2"/749 mm)

## Hearth Installation (Cool Wall/Non Cool Wall)

**Raised Hearth:** If any combustible material extends above the bottom of the leveling legs, non combustible material such as tile, stone etc. must be used to act as a barrier. Combustible material cannot be exposed for the full width & depth of the hearth. See diagrams 1 & 3

**Flush hearth /Finished Floor:** Combustible Materials such material such as wood/vinyl flooring, linoleum, etc. may be used. Materials must be below leveling legs as shown in diagram 2.



## Finishing Material Installation - Cool Wall/Non Cool Wall

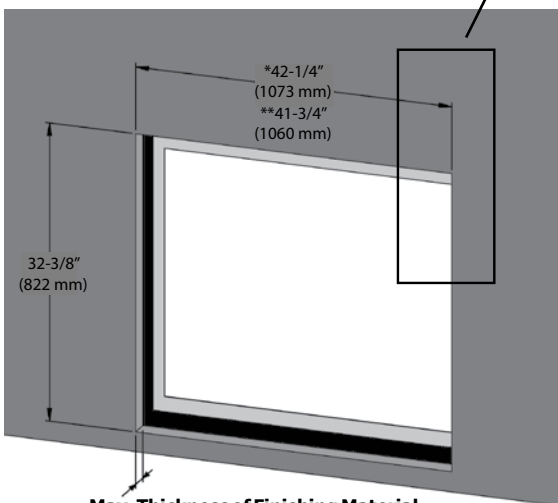
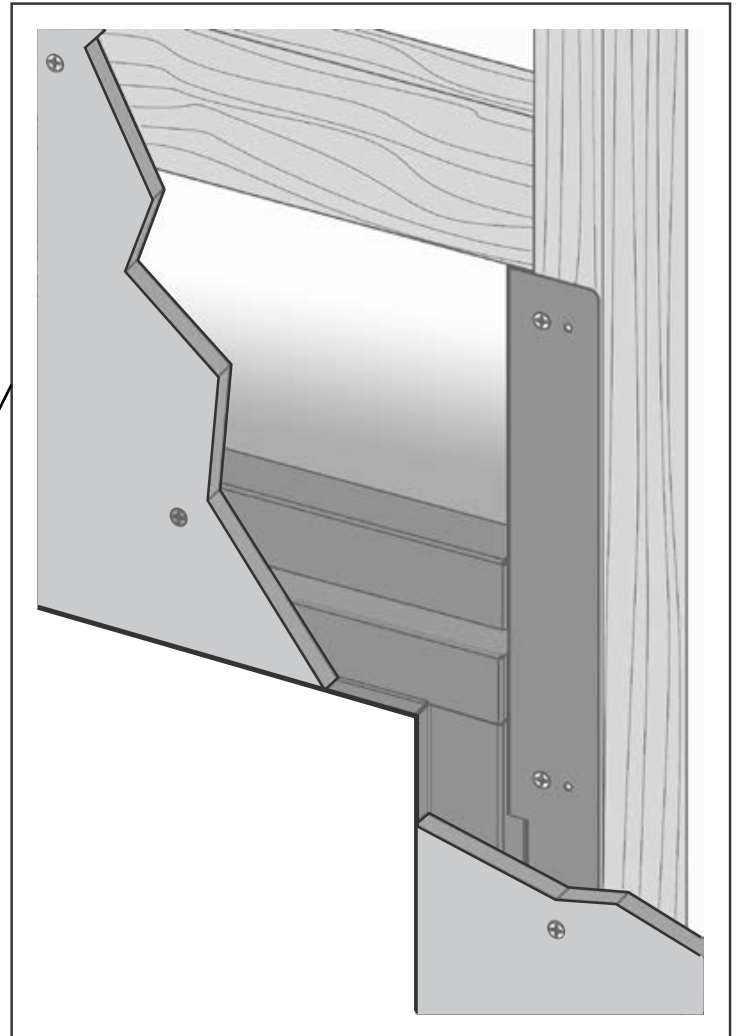
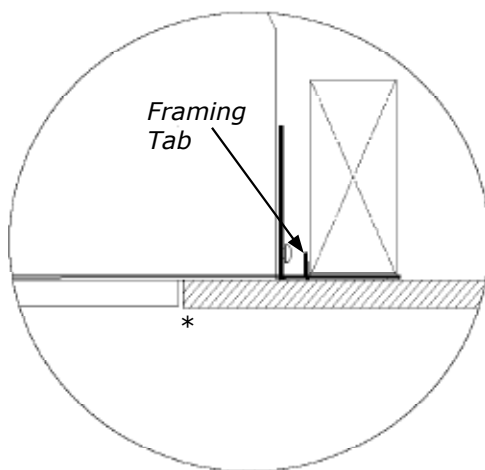
The finishing material can be brought to the edge of the fireplace opening.

Do NOT finish beyond the opening, doing so will prevent the screen or glass front from being attached and removed.

**IMPORTANT:** Ensure that if this is a non cool wall application, only non combustible material is used. See manual for details.

### Nailing Flange Instructions

1. Bend framing tabs 90° backward to create the framing standoff.



**Max. Thickness of Finishing Material**

**Cool Wall**

- 3/4" (19 mm) without finishing trim
- 1-1/4" (32 mm) with finishing trim

**Non-Cool Wall**

- 3-1/2" (89 mm)

See pages 72 & 73 of the manual for optional 3 or 4 sided Finishing Trim Installation.

\*A 1/4" (6 mm) gap must be maintained on both sides of the fireplace to allow the optional 3 or 4-sided finishing trim to be installed and removed.

\*\*If not using the optional 3/4 sided finishing trim.

## Wall Board/Drywall/Non Combustible Board Installation G1200P (Cool Wall/Non Cool Wall)

**WARNING!** Risk of Fire! Comply with all minimum clearances to combustibles as specified.

### Finishing Instructions:

It is important to follow the framing and finishing instructions to ensure proper placement of fireplace into the surrounding framing/finishing materials. Wall board materials 1/2 in. thick are specified in this installation manual to properly align with the optional finishing methods offered with this appliance. The G1200P may be finished to the appliance opening with 1/2 inch thick drywall or non combustible material depending on the application and requirements (Cool Wall / Non Cool Wall).

- Ensure that the back and side clearances are maintained.

**WARNING!** Risk of Fire! Maintain specified air space clearances to combustibles. Inadequate air space could cause overheating and fire.

The appliance is designed to be used with 1/2 in. wall sheathing materials such as drywall, plywood, wood composites, or non-combustible materials. Thicker materials may be used. Refer to facing and finishing details in this manual.

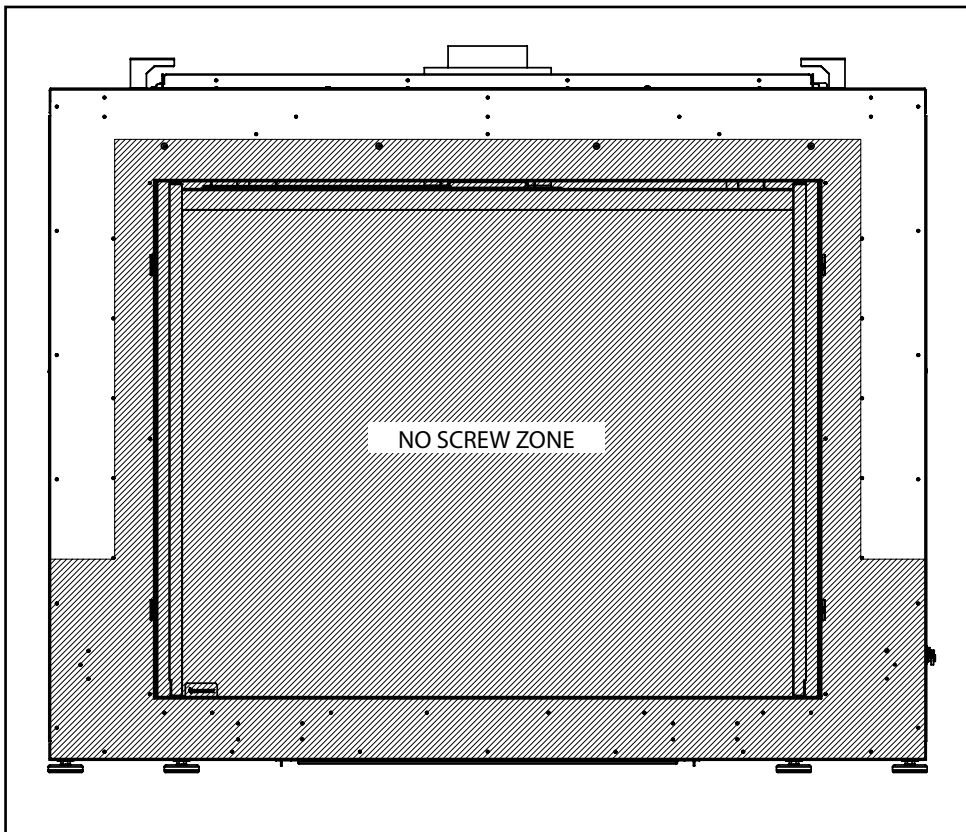
### Facing Material

- Facing and/or finishing materials must never overhang into the glass opening.
- Facing materials may be combustible (Cool Wall applications only) or non-combustible (Cool Wall or Non Cool Wall applications).

**WARNING!** Risk of Fire! DO NOT apply combustible materials beyond the minimum clearances. Comply with all minimum clearances to combustibles as specified in this manual. Overlapping materials could ignite and will interfere with proper operation.

### PAINTING

If desired finishing includes a painted wall, 100% acrylic latex, oil-based or standard acrylic paints may be used. Follow paint manufacturer's instructions for paint and primer application.



**IMPORTANT :** No screw zones (in shaded areas) as shown above must be adhered to. Screws should only penetrate the metal front a maximum 1/2" (13 mm) where screws are permitted.

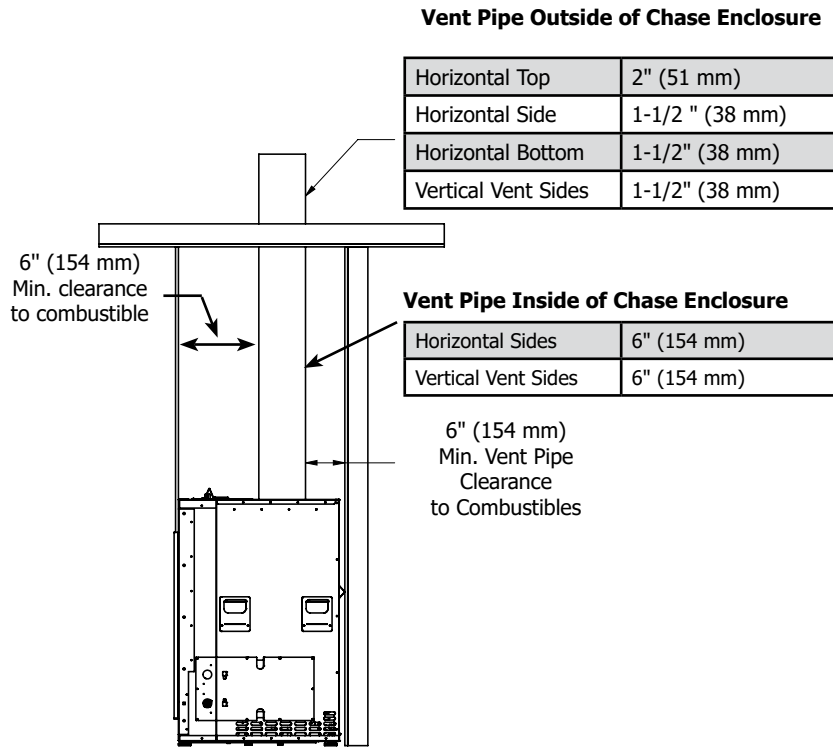
## Cool Wall - Non Cool Wall Vent Pipe Clearances - Outside/Inside of Chase Enclosure

This page notes all vent pipe clearances for both outside and inside of the chase enclosure. The clearances are different for both outside and inside of the chase enclosure and must be adhered to and is critical.

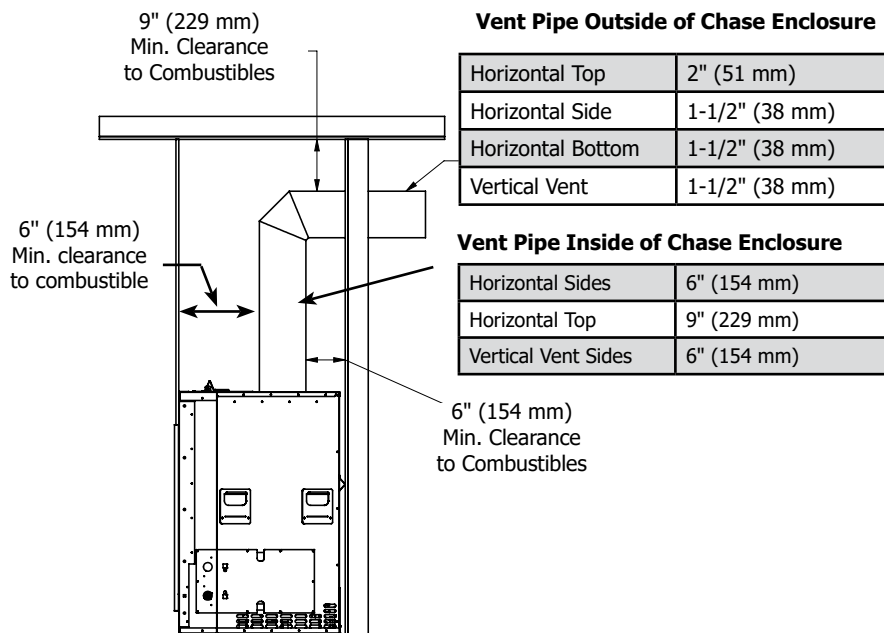
**A major cause of chimney related fires is failure to maintain required clearances (air space) to combustible materials. It is of the greatest importance that this fireplace and vent system be installed only in accordance with these instructions.**

**Clearances noted below must be maintained; except when passing through a wall, ceiling or at the termination where the use of a firestop or wall thimble reduces clearance to 1-1/2" (38mm).**

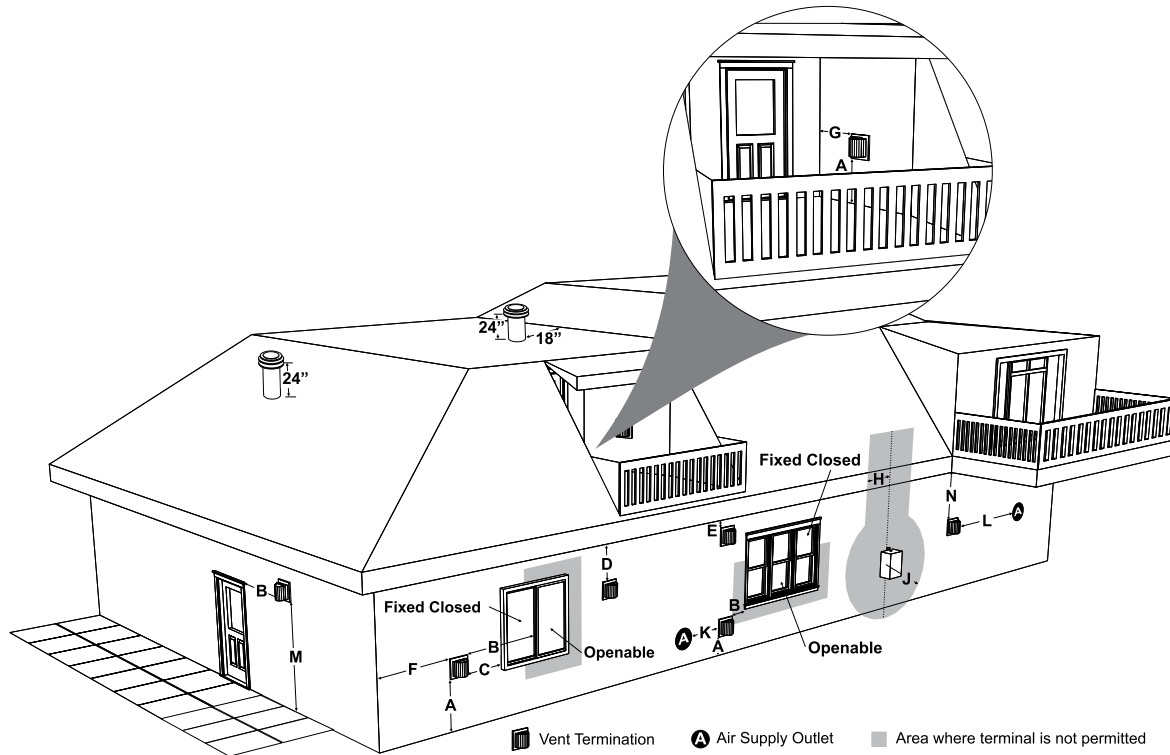
### Minimum Vent Pipe Clearances to Combustible With Vent Pipe Exiting Vertically



### Minimum Vent Clearances to Combustible With Vent Pipe Exiting Horizontally



## Exterior Vent Termination Requirements



Minimum Clearance Requirements		Canada <sup>1</sup>	USA <sup>2</sup>
<b>A</b>	Clearance above grade, veranda, porch, deck, or balcony	12"(30cm)	12"(30cm)
<b>B</b>	Clearance to window or door that may be opened	12"(30cm)	9" (23cm)
<b>C</b>	Clearance to permanently closed window	*	*
<b>D</b>	Vertical clearance to ventilated soffit located above the terminal within a horizontal distance of 2 feet (61cm) from the center line of the terminal (check with the local code)	29"(74cm) AstroCap/All Other Approved Termination Caps 24"(60cm) DuraVent Only	29"(74cm) AstroCap/All Other Approved Termination Caps 24"(60cm) DuraVent Only
<b>E</b>	Clearance to unventilated soffit	29"(74cm) AstroCap/All Other Approved Termination Caps 24"(60cm) DuraVent Only	29"(74cm) AstroCap/All Other Approved Termination Caps 24"(60cm) DuraVent Only
<b>F</b>	Clearance to outside corner: with <b>AstroCap</b> Termination Cap.	13"(33cm)	13"(33cm)
	Clearance to outside corner: with all other approved Termination Caps.	13"(33cm)	13"(33cm)
<b>G</b>	Clearance to inside corner: with <b>AstroCap</b> Termination Cap	11"(28cm)	11"(28cm)
	Clearance to inside corner: with all other approved Termination Caps.	11"(28cm)	11"(28cm)
<b>H</b>	Clearance to each side of center line extended above meter/regulator assembly	36"(90cm) <sup>a</sup>	*
<b>J</b>	Clearance to service regulator vent outlet	36"(90cm)	*
<b>K</b>	Clearance to non-mechanical air supply inlet to building or the combustion air inlet to any other appliance	12"(30cm)	9" (23cm)
<b>L</b>	Clearance to a mechanical air supply inlet #3' (91cm) above if within 10' (3m) horizontally.	72"(1.8m)	36"(90cm) <sup>b</sup>
<b>M</b>	Clearance above paved sidewalk or a paved driveway located on public property	84"(2.1m) <sup>†</sup>	*
<b>N</b>	Clearance under veranda, porch, deck, or balcony	12"(30cm) <sup>‡</sup>	*

<sup>1</sup> In accordance with current CSA B149.1, *Natural Gas and Propane Installation Code*

<sup>2</sup> In accordance with the current ANSI Z223.1/NFPA 54, *National Fuel Gas Code*

<sup>†</sup> A vent shall not terminate directly above a sidewalk or paved driveway which is located between two single family dwellings and serves both dwellings

<sup>‡</sup> Permitted only if veranda, porch, deck, or balcony is fully open on a minimum of two sides beneath the floor

\* Clearance in accordance with local installation codes and the requirements of the gas supplier

<sup>a</sup> 3 feet (91cm) within a height of 15 feet (4.5m) above the meter / regulator assembly

<sup>b</sup> 3 feet (91cm) above - if within 10 feet (3m) horizontally

## Rigid Pipe Venting Systems-Basic Horizontal & Vertical Terminations

Rigid Pipe Vent Systems offer a complete line of component parts for installation of both horizontal and vertical installations. Many items are offered in decorative black, as well as galvanized finish.

### The minimum components required for a basic Horizontal Termination are:

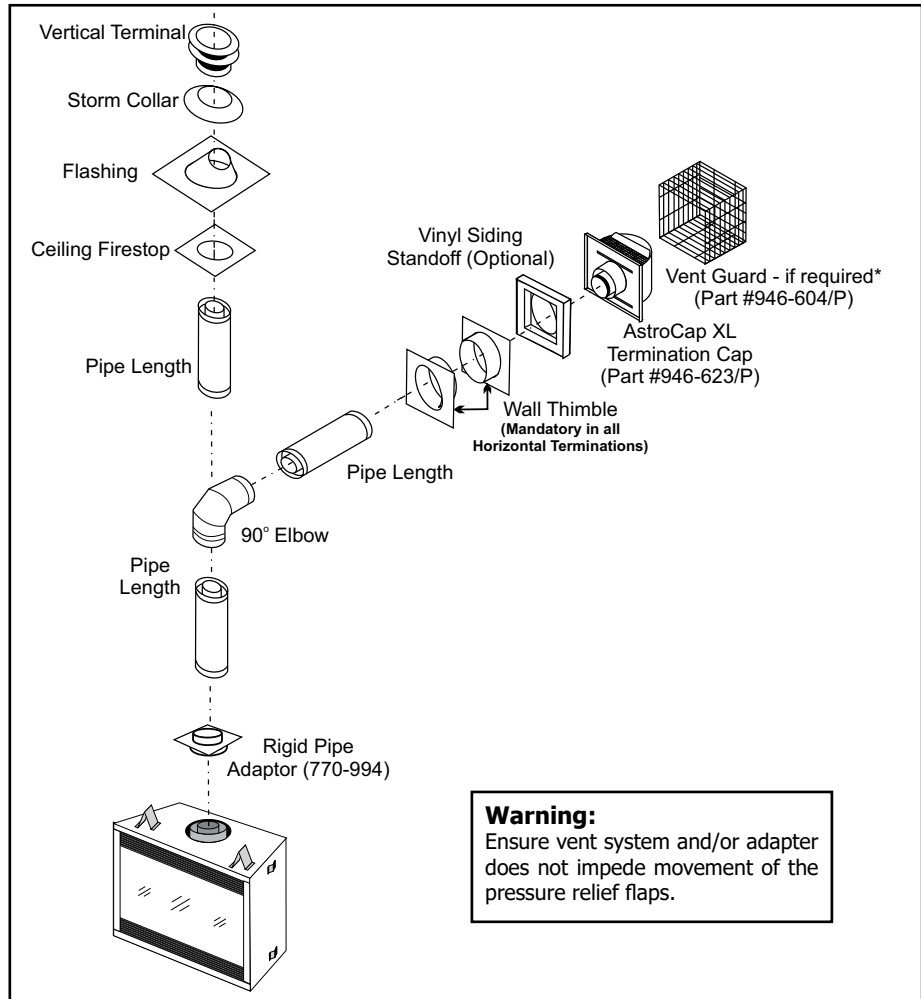
- 1 AstroCap XL Termination Cap
- 1 Vertical Pipe Length
- 1 90° Elbow
- 1 Rigid Pipe Adaptor
- 1 Wall Thimble
- 1 Length of rigid pipe to suit wall thickness

### The minimum components required for a basic Vertical Termination are:

- 1 Vertical Termination Cap
- 1 Rigid Pipe Adaptor
- 1 Lengths of pipe to adequately penetrate roof
- 1 Ceiling Firestop
- 1 Flashing
- 1 Storm Collar

Wall thickness is measured from the back standoffs to the inside mounting surface of termination cap. For siding other than vinyl, furring strips may be used, instead of a vinyl siding standoff, to create a level surface to mount the vent terminal. The Terminal must not be recessed into siding. Measure the wall thickness including furring strips.

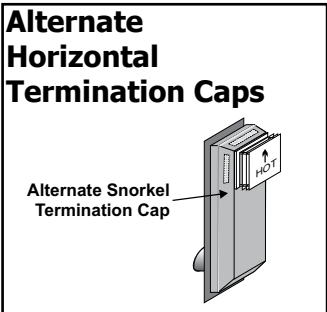
If a Vinyl Siding Standoff is required (it must be used with vinyl siding), measure to outside surface of wall without siding and add 2 inches.



**Warning:**  
Ensure vent system and/or adaptor does not impede movement of the pressure relief flaps.

**WARNING:**  
Do not combine venting components from different venting systems.  
Exception: However, use of the the AstroCap XL™ is acceptable with all systems.  
This product has been evaluated by Intertek when using a rigid pipe adaptor and use of any of the specific chimney systems listed in this manual. Use of these systems with the rigid pipe adaptor is deemed acceptable and does not affect the Intertek WHI listing of these components.

**When using Rigid Vent other than Simpson Dura-Vent, 3 screws must be used to secure rigid pipe to adaptor.**



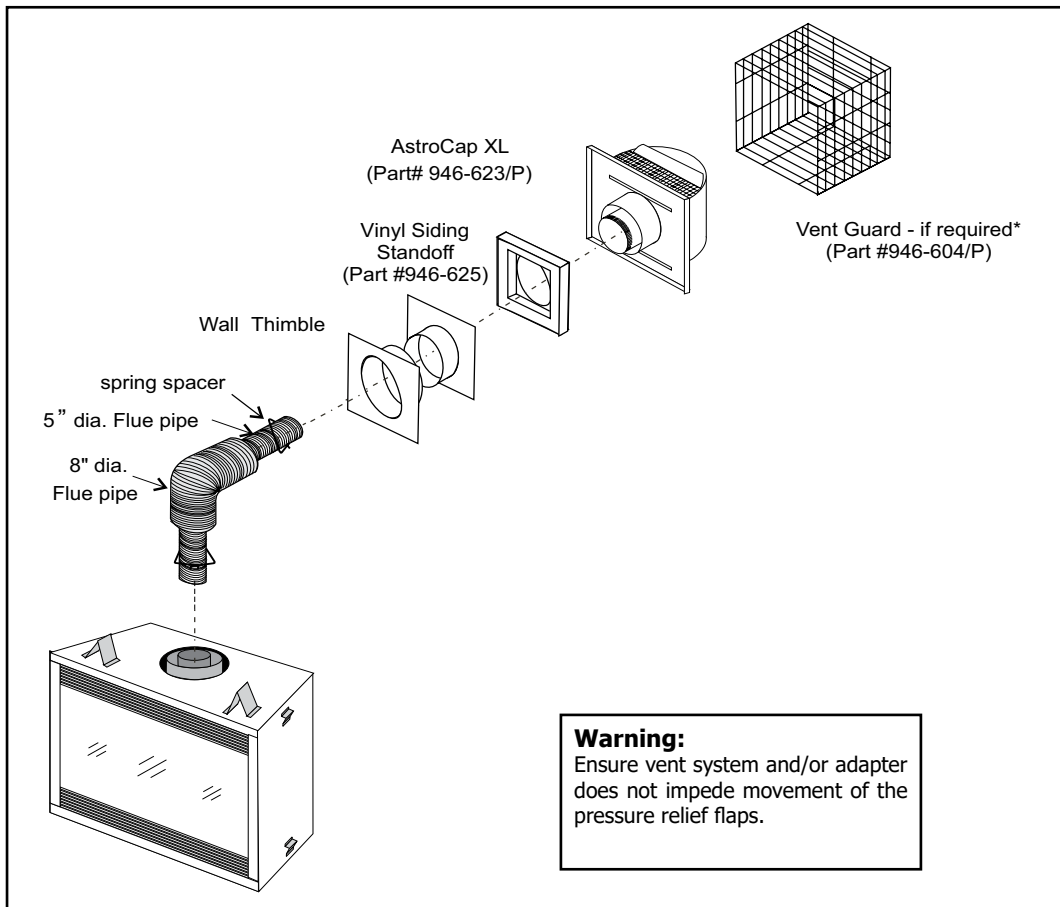
The Regency AstroCap™ is certified for installations using Regency venting systems as well as any specific chimney systems listed in this manual. AstroCap™ is a proprietary trademark of Regency Fireplace Products.

## Horizontal Terminations - Flex Vent 5" x 8"

These venting systems, in combination with the G1200P Direct Vent Gas Fireplace, has been tested and listed as a direct vent heater system by Warnock Hersey. The location of the termination cap must conform to the requirements in the Vent Terminal Locations diagram in "Exterior Vent Termination Locations" section.

**Regency® Direct Vent (Flex) System 4 foot Termination Kit (Part# 946-615), 6 foot Termination Kit (Part# 946-618) or 10 foot Termination Kit (Part# 946-616) includes all the parts needed to install the G1200P.**

FPI Kit #	Length	Contains:
#946-615	4 Feet	1) 8" flexible liner (Kit length) 2) 5" flexible liner (Kit length) 3) spring spacers
#946-618	6 Feet	4) thimble 5) <b>AstroCap XL</b> termination cap 6) screws
#946-616	10 Feet	7) tube of Mill Pac 8) plated screws 9) S.S. screws #8 x 1-1/2" drill point 10) vinyl siding standoff



### Notes:

- 1) Liner sections should be continuous without any joints or seams.
- 2) Only Flex pipe purchased from Regency may be used for Flex installations.
- 3) Regency® Direct Vent System (Flex) is only approved for horizontal terminations.
- 4) Horizontal vent must be supported every 3 feet.
- 5) Flex system can only be used up to a maximum continuous vent length of up to 10 feet. If longer runs are required, rigid pipe must be used.



## Horizontal Terminations - Rigid Pipe 5" x 8"

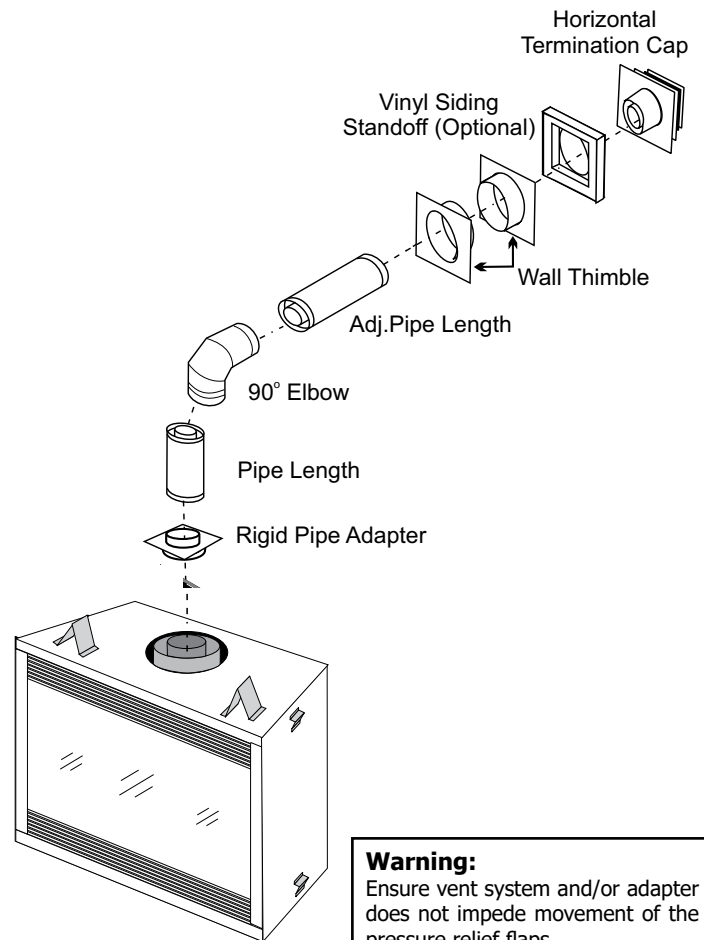
The minimum components required for a basic horizontal termination are:

- 1 Horizontal Termination Cap
- 1 Rigid Pipe Adaptor (770-994)
- 1 Wall Thimble
- 1 Length of pipe to suit wall thickness (see chart)

Wall thickness is measured from the back standoffs to the inside mounting surface of termination cap. For siding other than vinyl furring strips may be used, instead of the vinyl siding standoff, to create a level surface to mount the vent terminal. The Terminal must not be recessed into siding. Measure the wall thickness including furring strips.

If a Vinyl Siding Standoff is required (it must be used with vinyl siding), measure to outside surface of wall without siding and add 2 inches.

Flat Wall Installation	
Wall Thickness (inches)	Vent Length Required (inches)
4" - 5-1/2"	6"
7" - 8-1/2"	9"
10" - 11-1/2"	12"
9" - 14-1/2'	11" - 14-5/8" Adj. Pipe
15" - 23-1/2"	17" - 24" Adj. Pipe



\*Unit is not exactly as shown.

**Warning:**  
Ensure vent system and/or adapter does not impede movement of the pressure relief flaps.

**WARNING:**  
Do not combine venting components from different venting systems.  
However use of the the AstroCap™ and FPI Riser is acceptable with all systems.  
This product has been evaluated by Intertek for using a Rigid Pipe Adaptor in conjunction with Duravent Direct-Vent, Selkirk Direct-Temp, Metal-Fab Sure Seal, ICC Excel Direct and Olympia Ventis DV systems. Use of these systems with the Rigid Pipe adaptor is deemed acceptable and does not affect the Intertek WHI listing of components.

**When using Rigid Vent other than Simpson Dura-Vent, 3 screws must be used to secure rigid pipe to adaptor.**

The FPI AstroCap™ is certified for installations using FPI venting systems as well as Simpson Dura-Vent® Direct Vent, metal-Fab Sure Seal, ICC Excel, Olympia Ventis DV, Selkirk Direct-Temp. AstroCap™ is a proprietary trademark of FPI Fireplace Products International Ltd. Dura-Vent® and Direct Vent are registered and/or proprietary trademarks of Simpson Dura-Vent Co. Inc.

## Venting Introduction Horizontal Terminations

The G1200P uses the "balanced flue" technology co-axial system. The inner liner vents products of combustion to the outside while the outer liner draws outside combustion air into the combustion chamber, thereby eliminating the need to use heated room air for combustion and losing warm room air up the chimney. The gas appliance and vent system must be vented directly to the outside of the building, and never be attached to a chimney serving a separate solid fuel or gas burning appliance. Each direct vent gas appliance must use its own separate vent system. Common vent systems are prohibited.

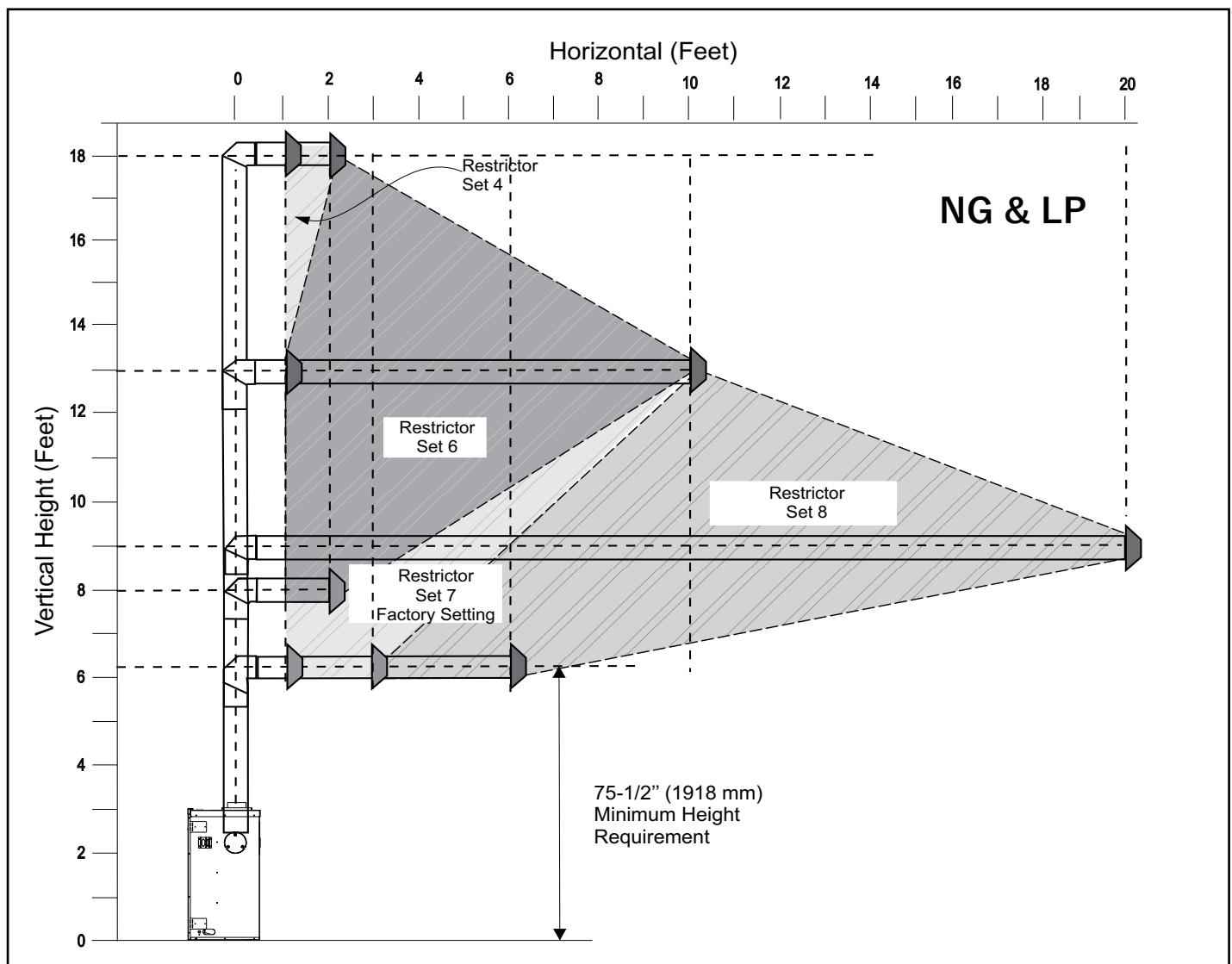
Note : These flue pipes must not be connected to any other appliance.

## Venting Arrangements for Horizontal Terminations (Rigid and Flex) for Both Natural Gas/Propane

The diagram shows all allowable combinations of vertical runs with horizontal terminations, using one 90° (two 45° elbows equal one 90° elbow).

Note : • Must use optional rigid pipe adapter (part# 770-994) when using rigid pipe venting systems.

- For horizontal terminations, the Regency direct vent flex system may be used for installations with a maximum continuous vent length of up to 10 feet. If longer runs are required, rigid pipe must be used.

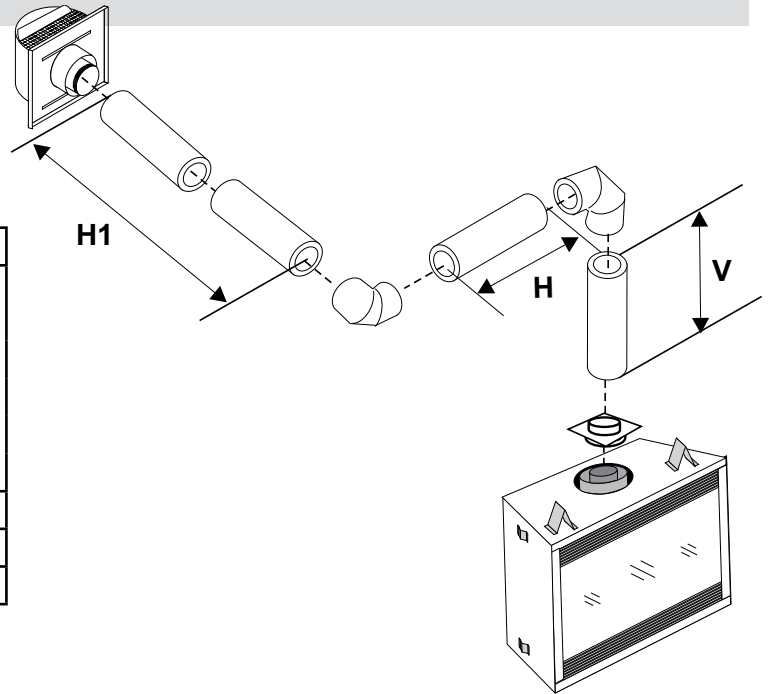


### VENT RESTRICTOR SETTING:

Refer to the "Vent Restrictor Position" section for details on how to change the vent restrictor from the factory setting of Set 7 - 3 1/2" (89 mm) open - if required.

- Maintain clearances to combustibles as listed in "Clearances" section
- Horizontal vent must be supported every 3 feet.
- Firestops are required at each floor level and whenever passing through a wall.
- A vent guard should be used whenever the termination is lower than the specified minimum or as per local codes.

## Horizontal Terminations - Two 90° Elbows (Rigid/Flex Pipe 5" x 8") for Both Natural Gas/Propane



<b>One 90° elbow = Two 45° elbows.</b>		
Option	V	H + H1
A)	2' Min.	4' Max.
B)	3' Min.	5' Max.
C)	4' Min.	6' Max.
D)	5' Min.	7' Max.
E)	6' Min.	8' Max.

With these options, maximum total pipe length is 30 feet with minimum of 6 feet total vertical and maximum 8 feet total horizontal.  
**Please note minimum 1 foot between 90° elbows is required.**

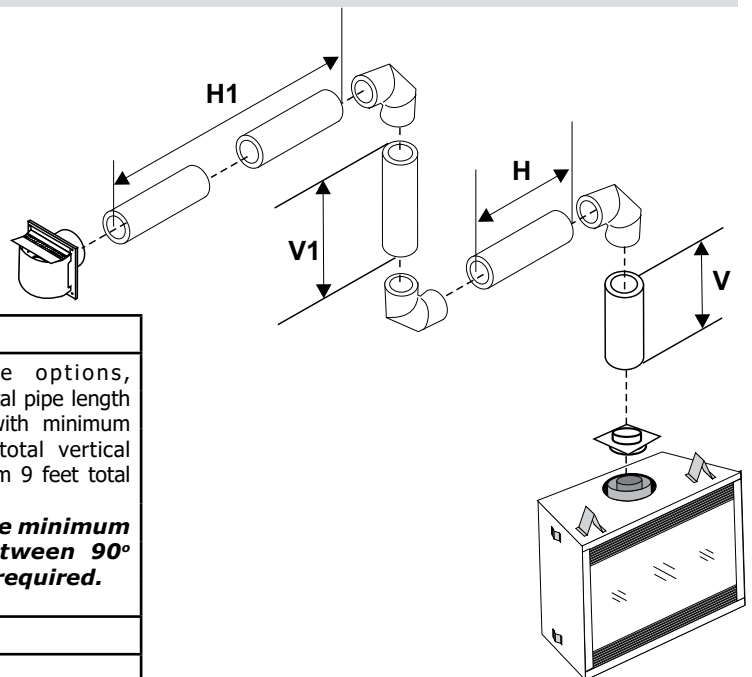
**Vent Restrictor Set 8**

Lengths do not include elbow indicated.

Must use rigid pipe adaptor #770-994 when using rigid venting.

**Note:** For horizontal terminations the Regency Direct Vent Flex System may be used for installations up to a maximum **continuous** vent length of 10ft (3.0 m).

## Horizontal Terminations - Three 90° Elbows (Rigid/Flex Pipe 5" x 8") for Both Natural Gas/Propane



<b>One 90° elbow = Two 45° elbows.</b>				
Option	V	H	V + V1	H + H1
A)	2' Min.	2' Max.	5' Min.	4' Max.
B)	3' Min.	2' Max.	7' Min.	5' Max.
C)	4' Min.	3' Max.	9' Min.	6' Max.
D)	5' Min.	4' Max.	10' Min.	7' Max.
E)	6' Min.	5' Max.	11' Min.	8' Max.
F)	7' Min.	6' Max.	12' Min.	9' Max.

With these options, maximum total pipe length is 30 feet with minimum of 12 feet total vertical and maximum 9 feet total horizontal.  
**Please note minimum 1 foot between 90° elbows is required.**

**Vent Restrictor Set 8**

Lengths do not include elbow indicated.

Must use rigid pipe adaptor #770-994 when using rigid venting.

**Note:** For horizontal terminations the Regency Direct Vent Flex System may be used for installations up to a maximum **continuous** vent length of 10ft (3.0m).

## Venting Introduction Vertical Terminations

The G1200P uses the "balanced flue" technology co-axial system. The inner liner vents products of combustion to the outside while the outer liner draws outside combustion air into the combustion chamber, thereby eliminating the need to use heated room air for combustion and losing warm room air up the chimney. The gas appliance and vent system must be vented directly to the outside of the building, and never be attached to a chimney serving a separate solid fuel or gas burning appliance. Each direct vent gas appliance must use its own separate vent system. Common vent systems are prohibited.

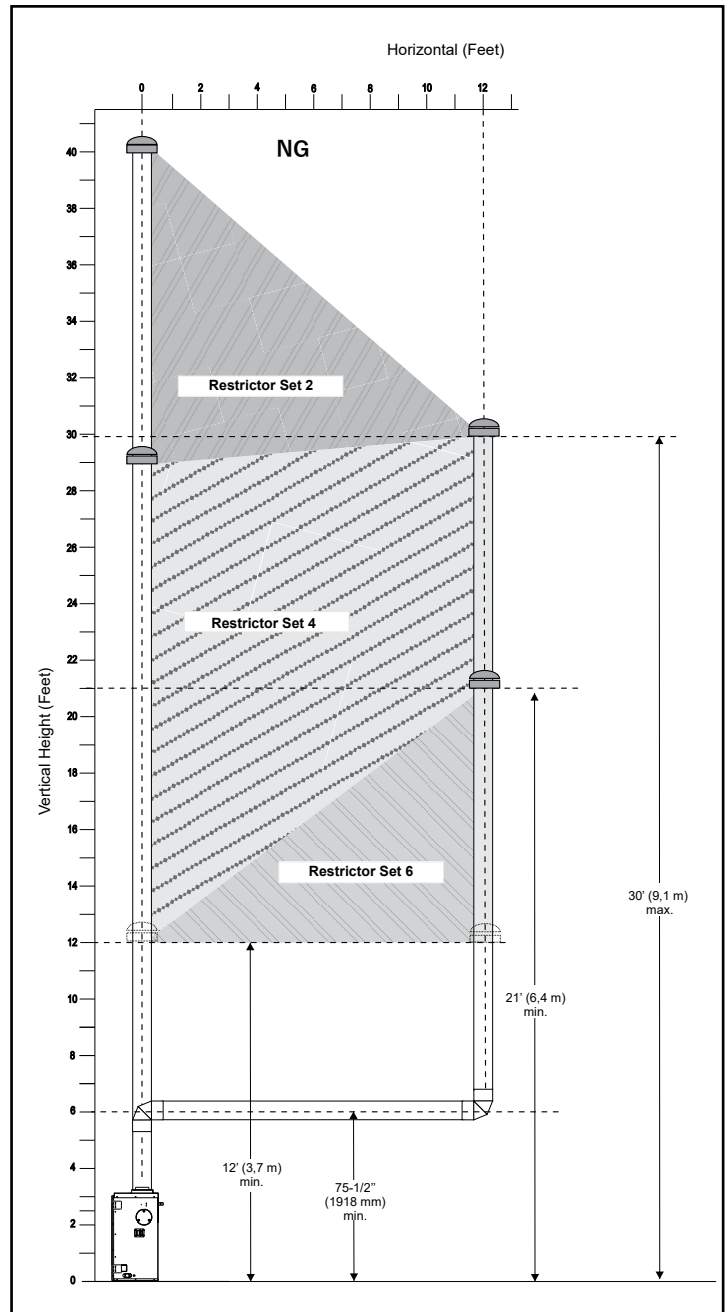
**Note:** These flue pipes must not be connected to any other appliance.

## Venting Arrangements for Vertical Terminations - 5" x 8" (127 mm x 203 mm) Rigid and Flex Pipe (Natural Gas)

The shaded area in the diagram shows all allowable combinations of straight vertical and offset-to-vertical terminations, using two 90° elbows with rigid/flex pipe venting systems.

- Two 45° elbows equal to one 90° elbow.
- Vent must be supported at offsets.
- Minimum distance between elbows is 1 ft. (305 mm).
- Maintain clearances to combustibles as listed in the "Clearances" section.
- Horizontal vent must be supported every 3 feet (0.9 m).
- Firestops are required at each floor level and whenever passing through a wall.
- Must use optional rigid pipe adaptor (Part# 770-994) when using rigid pipe vent systems.
- Refer to the "Vent Restrictor Position" section for details on how to change the vent restrictor from the factory setting of Set 7 - 3 1/2" (89 mm) if required.

For vertical terminations, the Regency Direct Vent Flex System may be used for installations with a maximum vent length of up to 40 feet including offsets. If longer runs are required, rigid pipe must be used. If no offsets are used, the maximum run is per the chart on this page

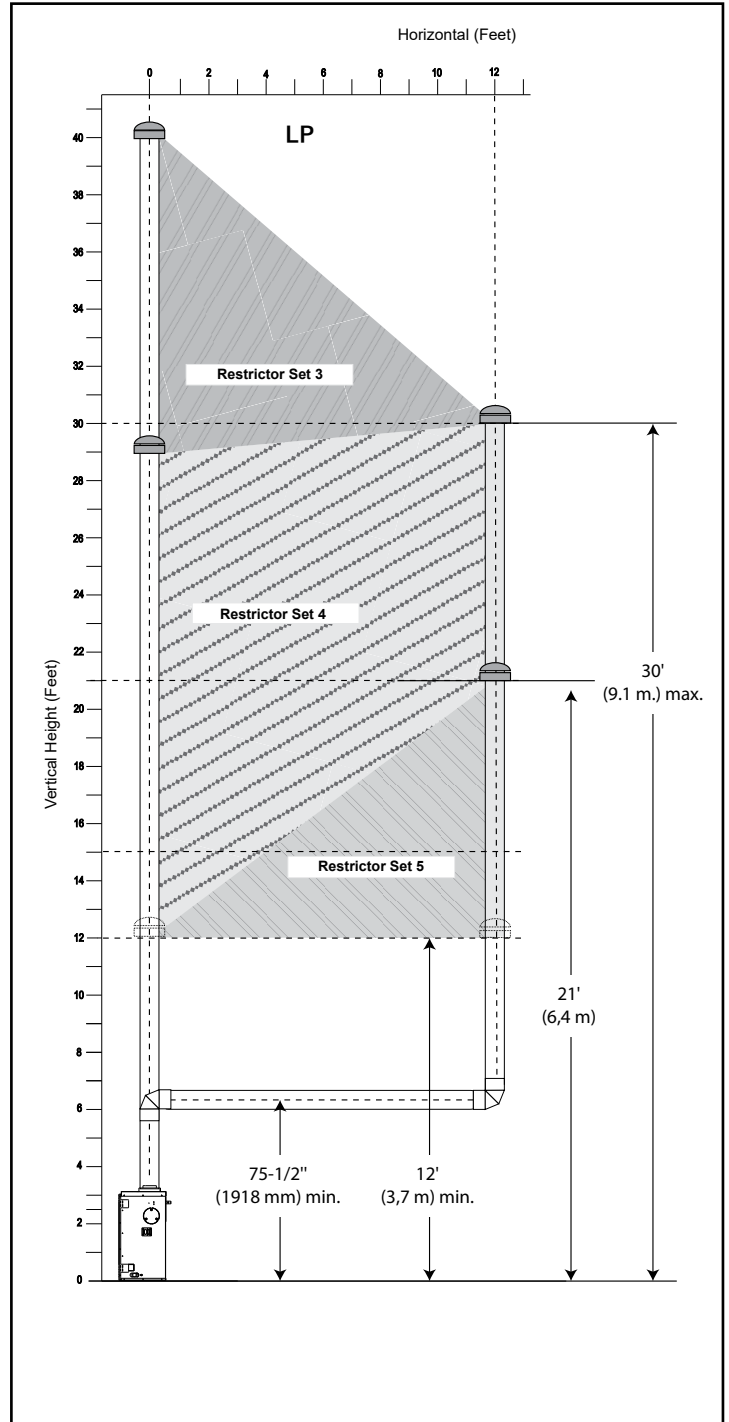


## Venting Arrangements for Vertical Terminations - 5" x 8" (127 mm x 203 mm) Rigid and Flex Pipe (Propane)

The shaded area in the diagram shows all allowable combinations of straight vertical and offset-to-vertical terminations, using two 90° elbows with rigid/flex pipe venting systems.

- Two 45° elbows equal to one 90° elbow.
- Vent must be supported at offsets.
- Minimum distance between elbows is 1 ft. (305 mm).
- Maintain clearances to combustibles as listed in the "Clearances" section.
- Horizontal vent must be supported every 3 feet (0.9 m).
- Firestops are required at each floor level and whenever passing through a wall.
- Must use optional rigid pipe adaptor (Part# 770-994) when using rigid pipe vent systems.
- Refer to the "Vent Restrictor Position" section for details on how to change the vent restrictor from the factory setting (Set 7: 3-1/2" / 89 mm open).

If required for vertical terminations, the Regency Direct Vent Flex System may be used for installations with a maximum vent length of up to 40 feet including offsets. If longer runs are required, rigid pipe must be used. If no offsets are used, the maximum run is per the chart on this page.



## Vertical Terminations - Three 90° Elbows (Rigid/Flex Pipe 5" x 8") for Both Natural Gas/Propane

<i>One 90° elbow = Two 45° elbows.</i>			
Option	V	V + V1	H + H1
A)	2' Min.	6' Min.	3' Max.
B)	3' Min.	6' Min.	4' Max.
C)	4' Min.	7' Min.	5' Max.
D)	5' Min.	8' Min.	6' Max.
E)	6' Min.	9' Min.	7' Max.
F)	7' Min.	10' Min.	8' Max.

With these options, maximum total pipe length is 30 feet with minimum of 10 feet total vertical and maximum 8 feet total horizontal.

**Please note minimum 1 foot between 90° elbows is required.**

**Vent Restrictor Set 8**  
**Lengths do not include elbow indicated.**  
 Must use rigid pipe adaptor #770-994 when using rigid venting.

