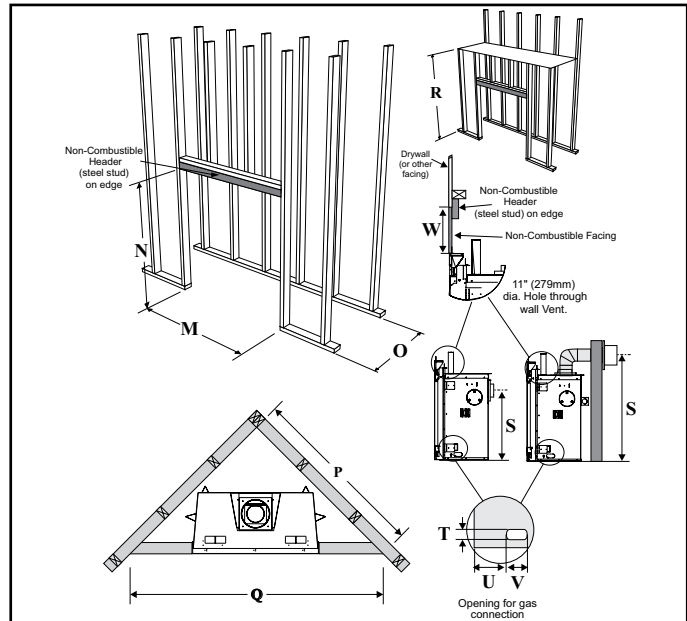
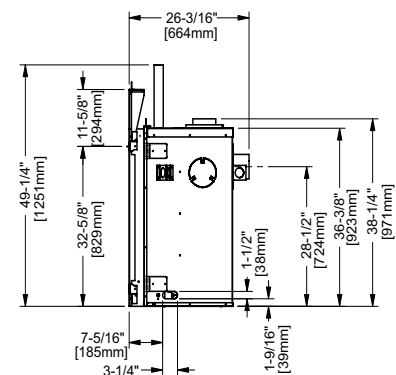
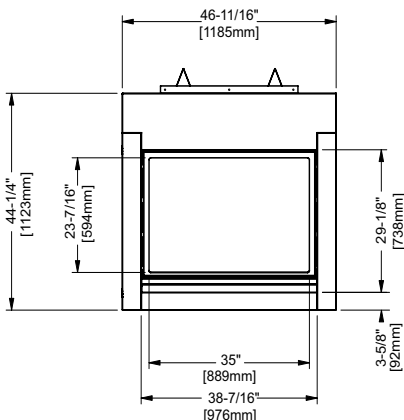
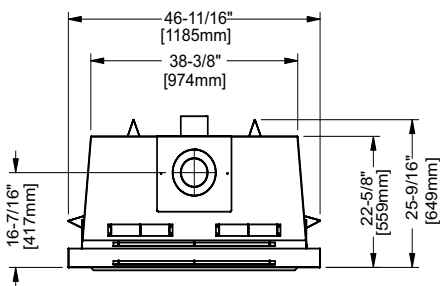


## B41XTCE Gas Fireplace

Model	B41XTCE-NG11	B41XTCE-LP11
Fuel Type	Natural Gas	Propane
Minimum Supply Pressure	5" W.C./C.E. (1.25 kPa)	11" W.C./C.E. (2.74 kPa)
Manifold Pressure - High	3.5" W.C./C.E. (0.87 kPa)	10" W.C./C.E. (2.49 kPa)
Manifold Pressure - Low	1.6" W.C./C.E. (0.40 kPa)	6.4" W.C./C.E. (1.60 kPa)
Orifice Size -Altitude 0-4500 ft.	#30 DMS	#49 DMS
Minimum Input Altitude 0-4500 ft. (0-1372m)	30,000 BTU/h (8.79 kW)	29,500 BTU/h (8.65 kW)
Maximum Input Altitude 0-4500 ft. (0-1372m)	42,500 BTU/h (12.45 kW)	37,500 BTU/h (10.99 kW)
CSA P.4.1	68.15%	68.35%
<b>Approved Venting Systems</b>		
Flex Vent Systems:	FPI AstroCap™ Flex Vent	
Rigid Pipe Vent Systems:	Simpson Direct Vent Pro® Selkirk Direct-Temp™ Metal-Fab® Sure Seal ICC Excel Direct Vent	



Framing Dimensions	Description	B41XTCE
M	Framing Width	47-1/4" (1200 mm)
N	Framing Height	49-1/2" (1257 mm)
O (Rear Vent)	Framing Depth - Rear Vent	26-1/2" (673 mm)
O (Top Vent)	Framing Depth - Top Vent	25-7/8" (657 mm)
P	Corner Facing Wall Width	65-1/4" (1657 mm)
Q	Corner Facing Wall Width	91-11/16" (2329 mm)
R (Rear Vent)	Framed Chase Ceiling - Rear	49-1/2" (1257 mm)
R (Top Vent)	Framed Chase Ceiling - Top	54-1/2" (1384 mm)
S (Rear Vent)	Vent Centerline Height - Rear	28-1/2" (724 mm)
S (Top Vent)	Vent Centerline Height - Top	47-1/2" (1207 mm) Rigid / Flex
T	Gas Connection Height	1-1/2" (38 mm)
U	Gas Connection Inset	5" (127 mm)
V	Gas Connection Width	3-1/4" (82 mm)
W	Non-Combustible Top Height	6" (152 mm)

**\*\* Important: Framing height requires consideration of the hearth depth. Dimension N = N + the thickness of the installed hearth.**

## CLEARANCES

The clearances listed below are Minimum distances unless otherwise stated:

A major cause of chimney related fires is failure to maintain required clearances (air space) to combustibles. It is of the greatest importance that this fireplace and vent system be installed only in accordance with these instructions.

### Caution Requirements

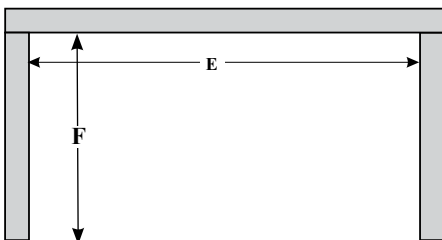
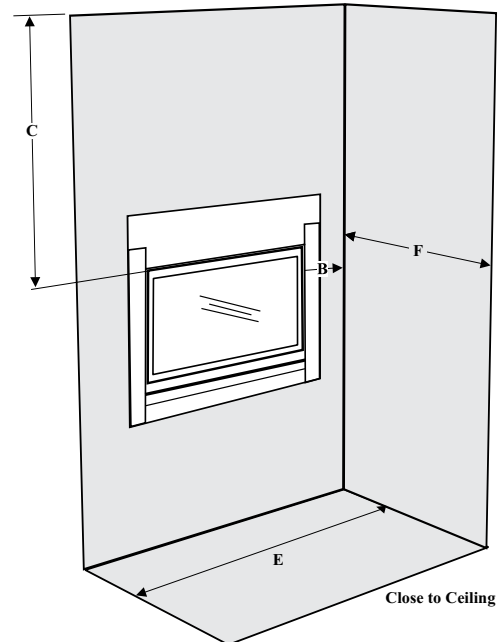
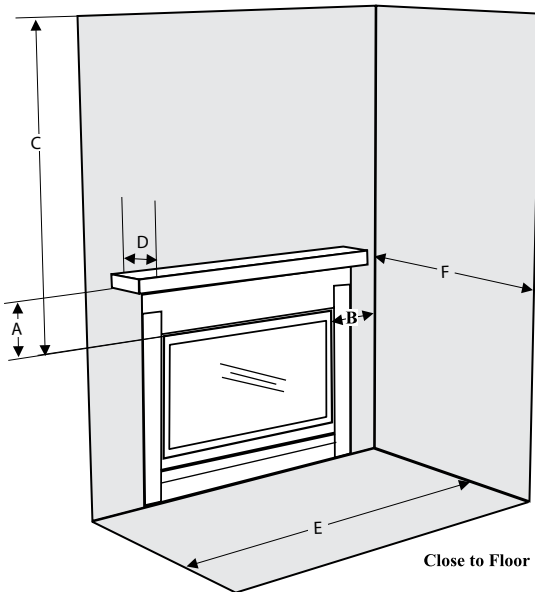
The top, back and sides of the fireplace are defined by standoffs. The metal ends of the standoff may **NOT** be recessed into combustible construction.

### WARNING

Fire hazard is an extreme risk if these clearances (air space) to combustibles are not adhered to. It is of greatest importance that this fireplace and vent system be installed only in accordance with these instructions.

### B41XTCE Clearance Requirements

Clearance:	Dimension	Measured From:
<b>A: Mantel Height (min.)</b>	17-9/16" (446mm)	Top of Fireplace Opening
<b>B: Sidewall</b>	9" (229mm)	Side of Fireplace Opening
<b>C: Ceiling</b>	36-5/8" (930mm)	Top of Fireplace Opening
<b>D: Mantel Depth (max.)</b>	12" (304mm)	25-13/16" (651mm) from Top of Fireplace Opening
<b>E: Alcove Width</b>	60" (1524mm)	Wall to Wall (Minimum)
<b>F: Alcove Depth</b>	36" (914mm)	Front to Back Wall (Maximum)
<b>Notes:</b>	0"	No Hearth Required



Alcove

### Minimum Vent Clearances to Combustibles

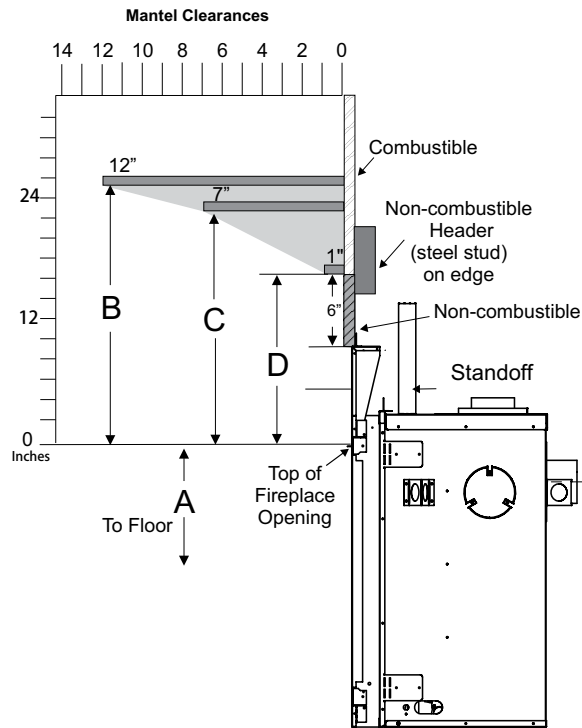
Horizontal Top	3" (76mm)
Horizontal Side	2" (51mm)
Horizontal Bottom	2" (51mm)
Vertical Vent	2" (51mm)

## MANTEL CLEARANCES

Due to the extreme heat this fireplace emits, the mantel clearances are critical. Combustible mantel clearances from top of front facing are shown in the diagram on the right.

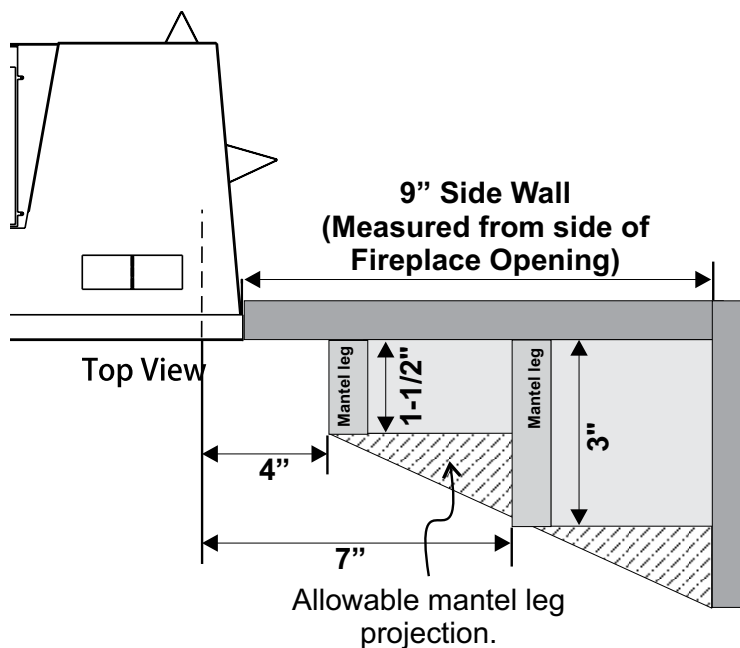
**Note:** A non-combustible mantel may be installed at a lower height if the framing is made of metal studs covered with a non-combustible board.

**Note:** Ensure the paint that is used on the mantel and the facing is "heat resistant" or the paint may discolour.



Mantel Clearances B41XTCE	A	B	C	D
From Top of Fireplace Opening	32-11/16" (830mm)	25-13/16" (656mm)	22-1/16" (560mm)	17-9/16" (446mm)

## MANTEL LEG CLEARANCES



## FRAMING & FINISHING

1. Frame in the enclosure for the unit with framing material.

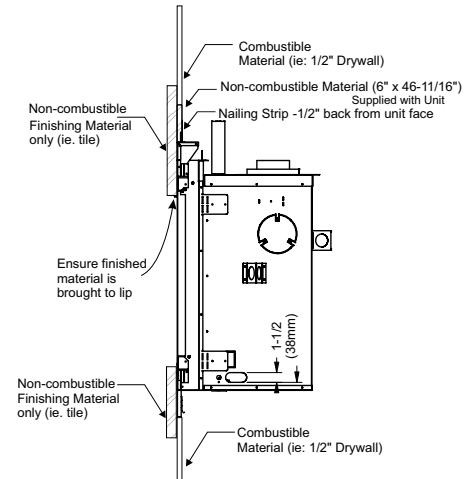
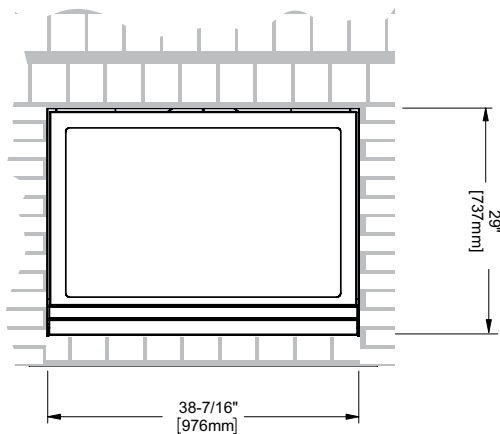
**Note:** When constructing the framed opening, please ensure there is access to install the gas lines when the unit is installed.

2. For exterior walls, insulate the enclosure to the same degree as the rest of the house; apply vapour barrier and drywall, as per local installation codes. (Do not insulate the fireplace itself.)

**WARNING:** Failure to insulate and add vapor barriers to the inside of the exterior wall will result in operational and performance problems including, but not limited to: excessive condensation on glass doors, poor flame package, carbon, blue flames etc. These are not product related issues.

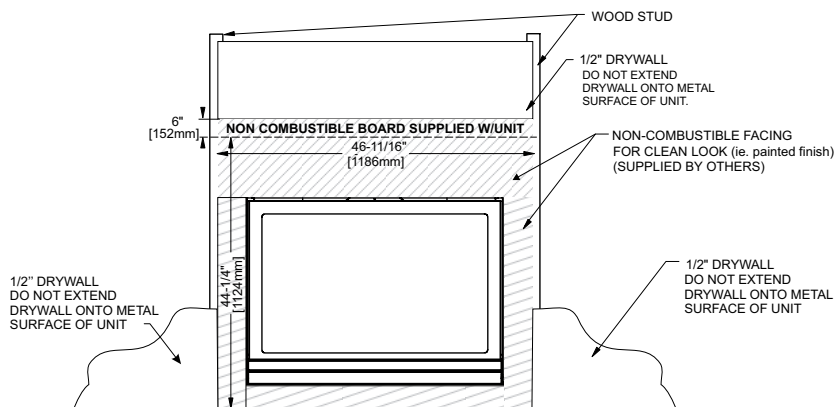
3. The unit does not have to be completely enclosed in a chase. You must maintain clearances from the vent to combustible materials: See "Clearances" section. Combustible materials can be laid against the side and back standoffs and the stove base.
4. Tile Finish Option 1: Drywall may be installed onto the unit as shown below to create a surface to apply finishing materials such as tile, slate, etc. Drywall cannot extend beyond the metal surface of the unit.
5. Tile Finish Option 2: If applying a non-combustible finishing material (tile, slate, etc) the material can be installed directly onto the metal surface (clean front) of the unit in the area shown below.

### TILE FINISH

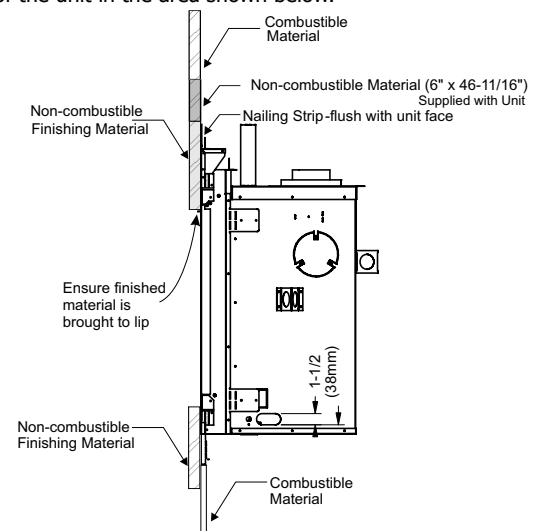


### CLEAN FINISH

6. If applying a non-combustible facing it may be installed over the metal surface (clean front) of the unit in the area shown below.



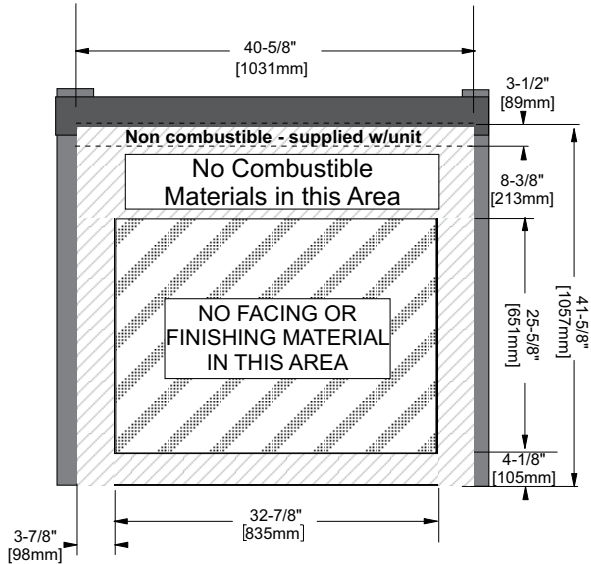
*Combustible and Non-combustible Facing and Finishing Materials around unit.*



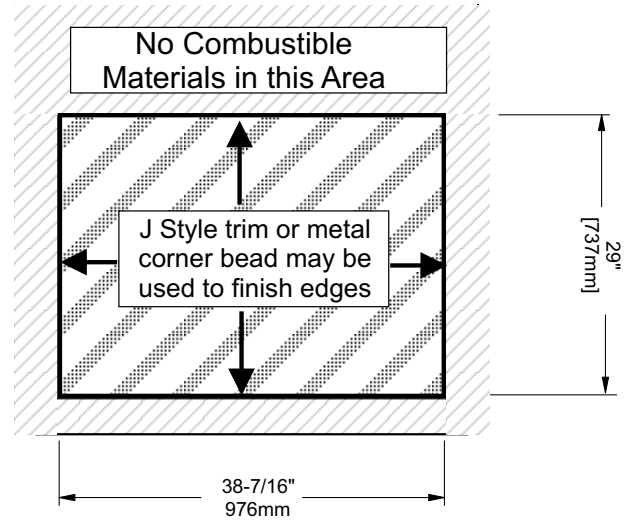
**NOTE:** The 6" x 46-11/16" non combustible material supplied with this unit can be replaced if trying to achieve a clean finish. A large piece of non combustible material (ie. 4' x 8' x 1/2" can be used to eliminate taped seams on or near unit.

7. Non-combustible material (ie. tile, slate, etc) may be brought up to the edge of the glass door of the unit. Minimum clearances must be adhered to, this will assure ease of glass door removal and access to the lower panel.

**NOTE:** Non-combustible finishing materials may be of any thickness desired.



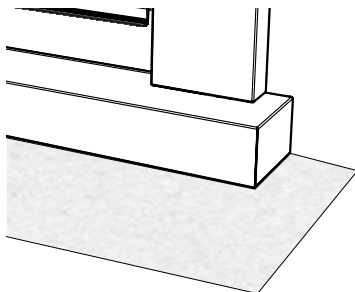
Minimum Clearances for Finishing Materials



Trim materials

**IMPORTANT FINISHING DETAIL NOTE:**

Before placing unit into final position - it is important to know the total thickness / height of finished hearth (tile, carpet, etc.) The base of the fireplace, 4 sided faceplate or mantel should be level or higher than the finished hearth height.



**Note:** All non-combustible facing material should butt up cleanly to the flanges around the firebox opening.

Rough edges may be visible from an angle.

To maintain a clean finished edge - facing material edges may be finished with a J-style trim or metal corner bead (both materials available at your local building or hardware store).

**IMPORTANT:** Materials used must be NON-COMBUSTIBLE.

## VENTING INTRODUCTION

The B41XTCE uses the "balanced flue" technology coaxial system. The inner liner vents products of combustion to the outside while the outer liner draws outside combustion air into the combustion chamber thereby eliminating the need to use heated room air for combustion and losing warm room air up the chimney.

**Note: These flue pipes must not be connected to any other appliance.**

The gas appliance and vent system must be vented directly to the outside of the building, and never be attached to a chimney serving a separate solid fuel or gas burning appliance. Each direct vent gas appliance must use its own separate vent system. Common vent systems are prohibited.

## VENT RESTRICTOR & BAFFLE INSTALLATION

**Note: The vent restrictor & baffle must be installed prior to Optional Panel Installation.**

1. Determine the venting configuration.
2. Go to venting arrangements section to determine if a vent restrictor setting is required.  
Note: The vent restrictor does not apply to rear vent applications.
3. Remove baffle plate. See Diagram 31.
4. Align the vent restrictor plate to the required vent restrictor position as per diagram 32.
5. Once the vent restrictor plate is in the required position, secure with 2 - 1/4" x 1/2" screws. Ensure all screws are tight, but do not over tighten. (See diagram 33).

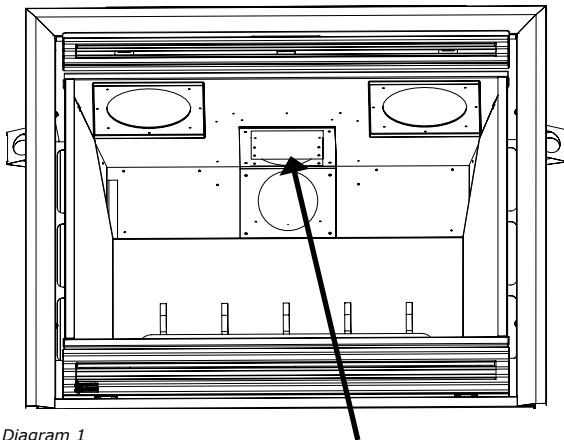
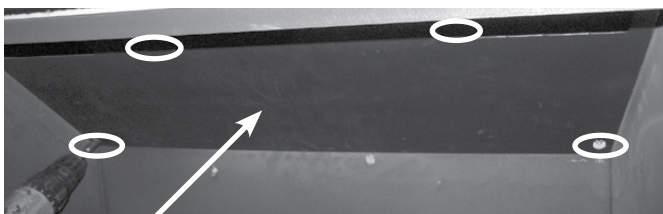


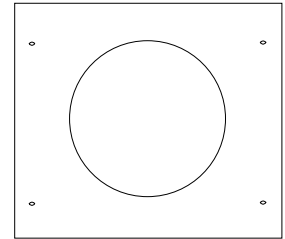
Diagram 1  
Vent Restrictor installed on Top Exhaust Assembly

6. From **inside** the firebox, install the baffle plate with 4 - 1/4" x 1/2" screws. Ensure all screws are tightly secure, but do not over tighten.

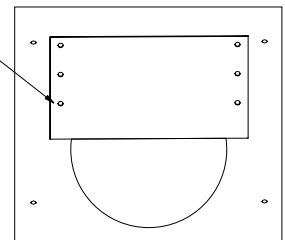


Baffle Plate  
Diagram 2

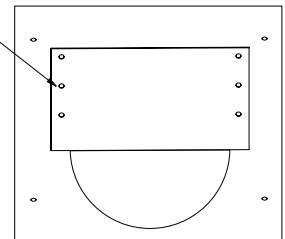
**NO VENT RESTRICTOR**  
*Factory setting*



**SET 1**  
THIS HOLE SETS THE  
VENT RESTRICTOR  
AT 3-1/2"



**SET 2**  
THIS HOLE SETS THE  
VENT RESTRICTOR  
AT 2-1/2"



**SET 3**  
THIS HOLE SETS THE  
VENT RESTRICTOR  
AT 1-1/2"

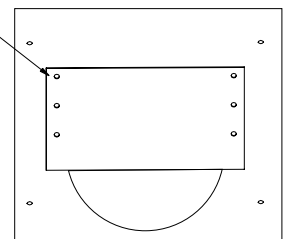


Diagram 3

## RIGID PIPE VENTING SYSTEMS

### Basic Horizontal & Vertical Terminations

Rigid Pipe Vent Systems offer a complete line of component parts for installation of both horizontal and vertical installations. Many items are offered in decorative black, as well as galvanized finish.

**The minimum components required for a basic Horizontal Termination are:**

- 1 AstroCap XL Termination Cap
- 1 90° Elbow
- 1 Rigid Pipe Adaptor
- 1 Wall Thimble
- 1 Length of rigid pipe to suit wall thickness

**The minimum components required for a basic Vertical Termination are:**

- 1 Vertical Termination Cap
- 1 Rigid Pipe Adaptor
- 1 Lengths of pipe to adequately penetrate roof
- 1 Ceiling Firestop
- 1 Flashing
- 1 Storm Collar

Wall thickness is measured from the back standoffs to the inside mounting surface of termination cap. For siding other than vinyl, furring strips may be used, instead of a vinyl siding standoff, to create a level surface to mount the vent terminal. The Terminal must not be recessed into siding. Measure the wall thickness including furring strips.

If a Vinyl Siding Standoff is required (it must be used with vinyl siding), measure to outside surface of wall without siding and add 2 inches.

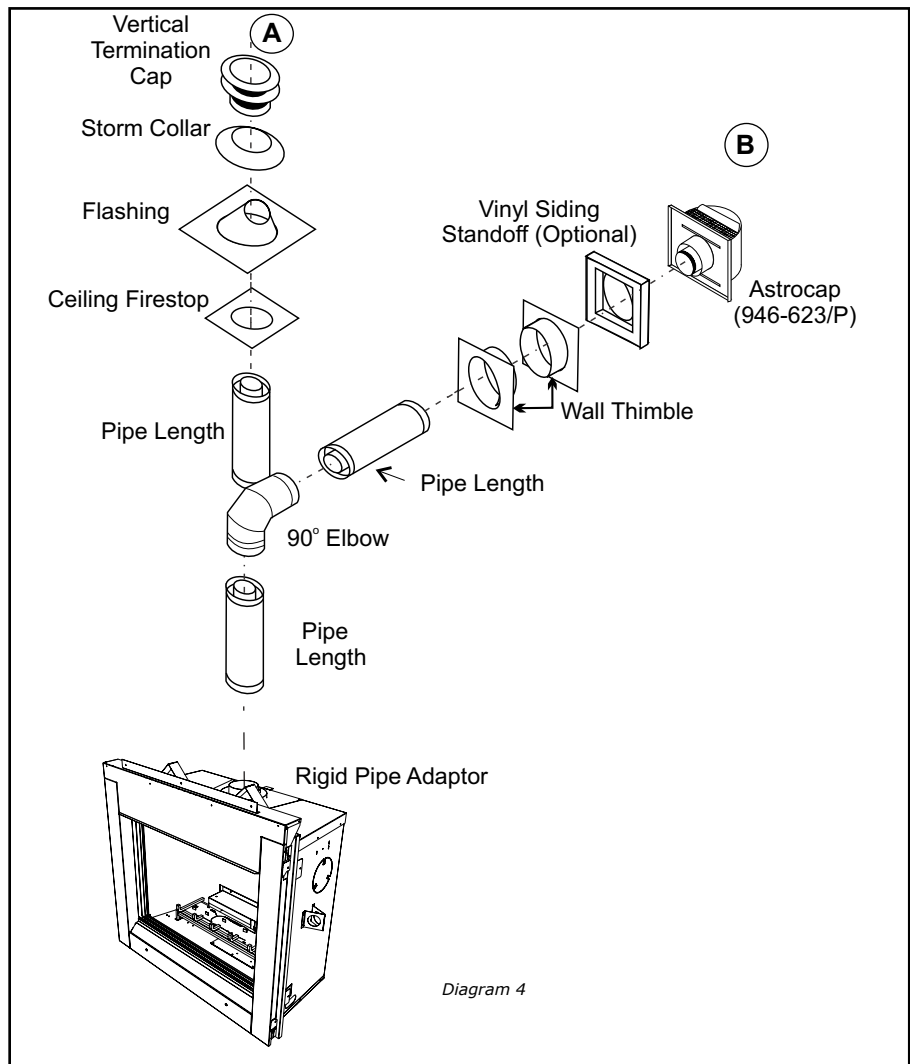


Diagram 4

**WARNING:**

Do not combine venting components from different venting systems.

Exception: However, use of the AstroCap XL™ is acceptable with all systems.

This product has been evaluated by Intertek when using a rigid pipe adaptor and use of any of the specific chimney systems listed in this manual. Use of these systems with the rigid pipe adaptor is deemed acceptable and does not affect the Intertek WHI listing of these components.

**When using Rigid Vent other than Simpson Dura-Vent, 3 screws must be used to secure rigid pipe to adaptor.**

**Alternate Horizontal Termination Caps**

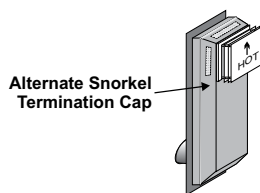


Diagram 5

The Regency AstroCap™ and Regency Riser Vent terminal are certified for installations using Regency venting systems as well as any specific chimney systems listed in this manual. AstroCap™ is a proprietary trademark of Regency Fireplace Products.

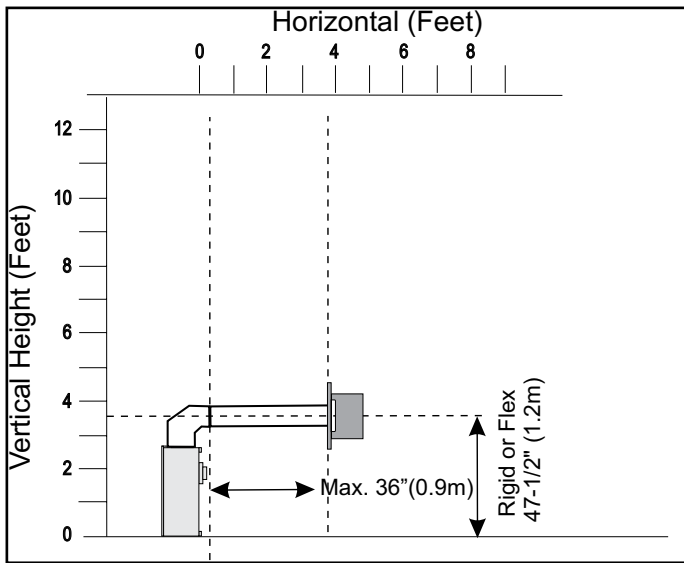
# VENTING ARRANGEMENTS FOR HORIZONTAL TERMINATIONS - FLEX VENT OR RIGID PIPE 5" X 8"

The diagrams show all allowable combinations of vent runs with 5" x 8" venting using the Regency direct vent system or rigid vent system. A vent guard should be used whenever the termination is lower than the specified minimum or as per local codes.

For horizontal terminations the Regency Direct Vent Flex System may be used for installations up to a maximum **continuous** vent length of 10 ft (3.0 m).

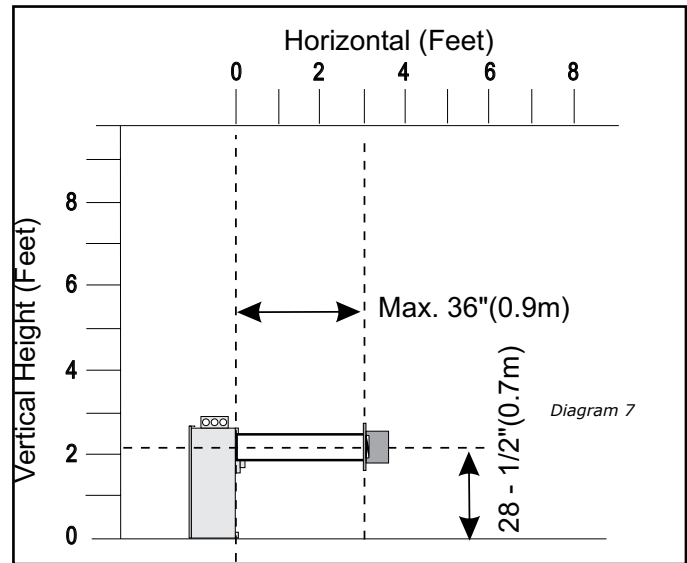
**Note: Must use optional rigid pipe adaptor (Part # 770-994) when using Rigid Pipe vent systems.**

- **Maintain clearance to combustibles.**
- **Horizontal vent must be supported every 3 feet.**
- **Firestops are required at each floor level and whenever passing through a wall.**



Vent Restrictor - Set 1

Diagram 6



Factory Setting - No Restrictor Required

Diagram 7

**IMPORTANT**  
Must use Rear Venting Deflector packaged with unit in rear vent horizontal termination applications.

## REAR VENTING DEFLECTOR INSTALLATION For Rear Vented Horizontal Terminations

The Rear Vent Deflector comes with the unit. When the unit is shipped, the deflector is slightly tucked underneath the top nailing strips located at the top of the firebox.

**NOTE:** The Rear Venting Deflector must be installed before the unit is put in place.

1. Secure the rear venting deflector to the wall thimble using 2 screws as shown. Ensure to use the same screw holes as the wall thimble.



Diagram 8

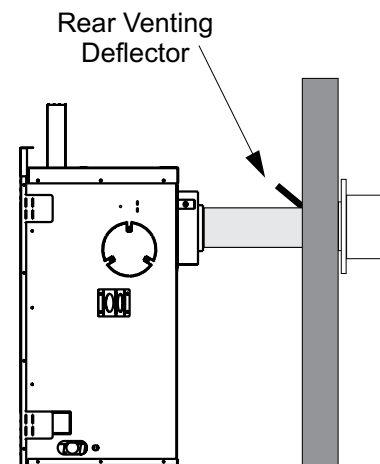


Diagram 9



## HORIZONTAL TERMINATIONS - FLEX VENT 5" X 8"

These venting systems, in combination with the B41XTCE Direct Vent Gas Fireplace, has been tested and listed as a direct vent heater system by Warnock Hersey. The location of the termination cap must conform to the requirements in the Vent Terminal Locations diagram in "Exterior Vent Termination Locations" section.

**Regency® Direct Vent (Flex) System 4 foot Termination Kit (Part# 946-615) or 10 foot Termination Kit (Part# 946-616) includes all the parts needed to install the B41XTCE with a either a top or rear vent.**

FPI Kit #	Length	Contains:
#946-615	4 Feet	<b>1)</b> 8" flexible liner (Kit length) <b>2)</b> 5" flexible liner (Kit length) <b>3)</b> spring spacers <b>4)</b> thimble <b>5)</b> <b>AstroCap XL</b> termination cap <b>6)</b> screws <b>7)</b> tube of Mill-Pac <b>8)</b> plated screws <b>9)</b> S.S. screws #8 x 1-1/2" drill point <b>10)</b> vinyl siding standoff
#946-618	6 Feet	
#946-616	10 Feet	

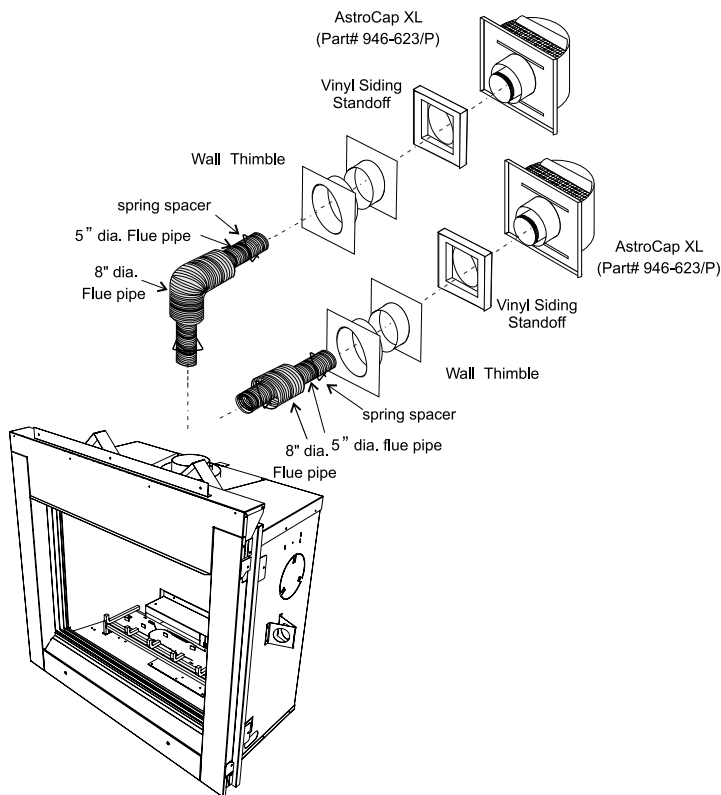


Diagram 10

**Notes:**

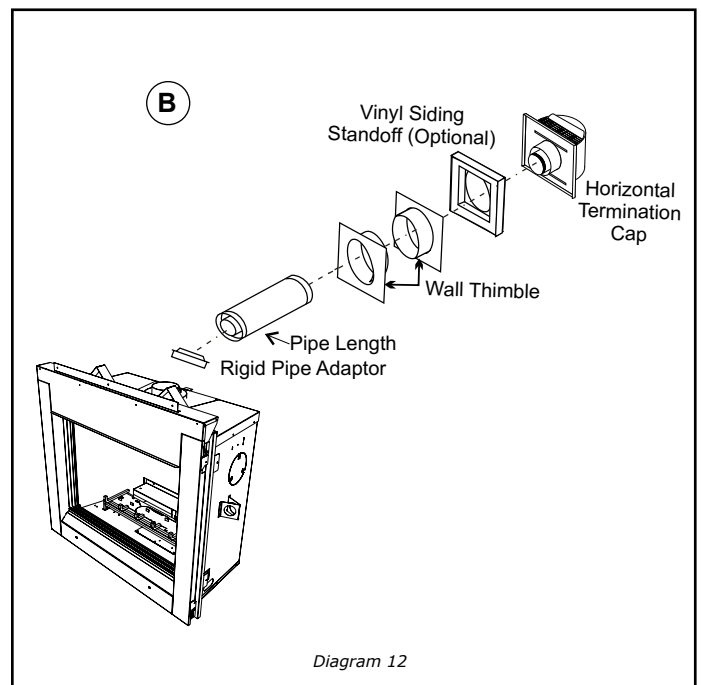
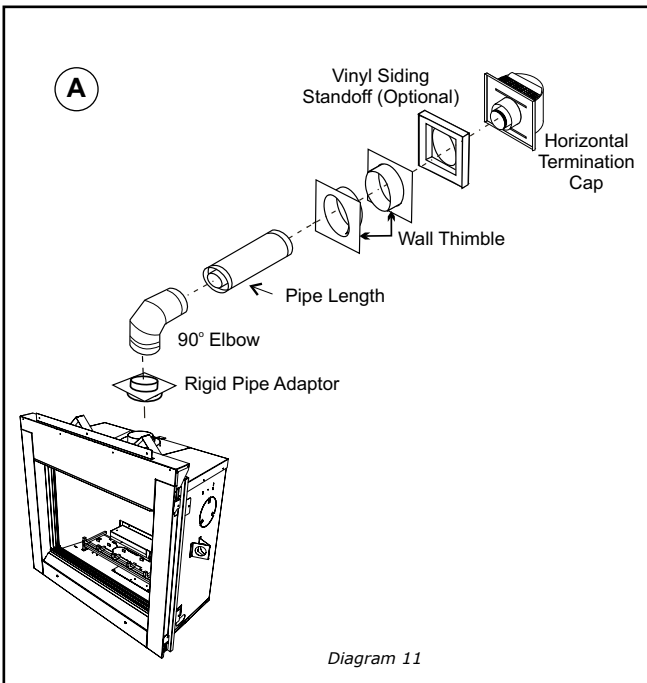
- 1) Liner sections should be continuous without any joints or seams.
- 2) Only Flex pipe purchased from Regency may be used for Flex installations.
- 3) Regency® Direct Vent System (Flex) is only approved for horizontal terminations.

**NOTE:** If longer runs are required the FPI Direct Vent system (Flex) #946-616 includes all parts needed to install the B41XTCE with a maximum 10' run.

**IMPORTANT**  
 Must use Rear Venting Deflector packaged with unit in rear vent horizontal termination applications.

## HORIZONTAL TERMINATIONS - RIGID PIPE 5" X 8"

Horizontal Termination	
A	<p><b>Top Vent - No Vertical Rise</b></p> <ul style="list-style-type: none"> <li>• When venting with a 90° elbow directly off the unit Flex vent or approved Rigid Vent System</li> <li>• Max. 3 ft. horizontal run</li> </ul>
B	<p><b>Rear Vent w/ Horizontal Termination</b></p> <ul style="list-style-type: none"> <li>• Max. 3ft. horizontal run</li> </ul>



**IMPORTANT**  
Must use Rear Venting Deflector packaged with unit in rear vent horizontal termination applications.

## HORIZONTAL TERMINATIONS Two (2) 90° Elbows (Rigid Pipe 5" x 8")

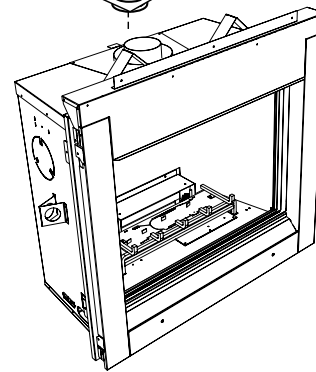
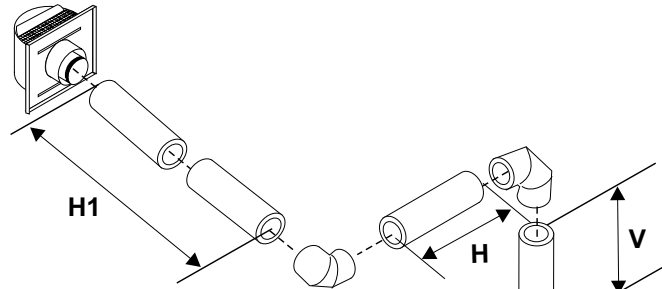


Diagram 13

<b>One 90° elbow = Two 45° elbows.</b>						
Option	V	H + H1	With these options, maximum total pipe length is 30 feet with minimum of 6 feet total vertical and maximum 8 feet total horizontal. <b>Please note minimum 1 foot between 90° elbows is required.</b>			
A)	0' Min.	2' Max.				
B)	1' Min.	3' Max.				
C)	2' Min.	4' Max.				
D)	3' Min.	5' Max.				
E)	4' Min.	6' Max.				
F)	5' Min.	7' Max.				
G)	6' Min.	8' Max.				
<b>No Vent Restrictor Installed</b>						
Lengths do not include elbow indicated.						
Must use rigid pipe adaptor #770-994.						

## HORIZONTAL TERMINATIONS Three (3) 90° Elbows (Rigid Pipe 5" x 8")

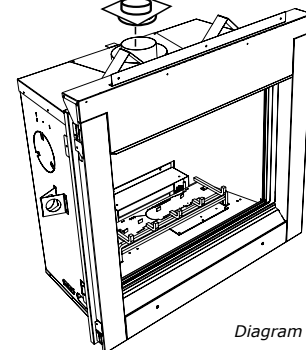
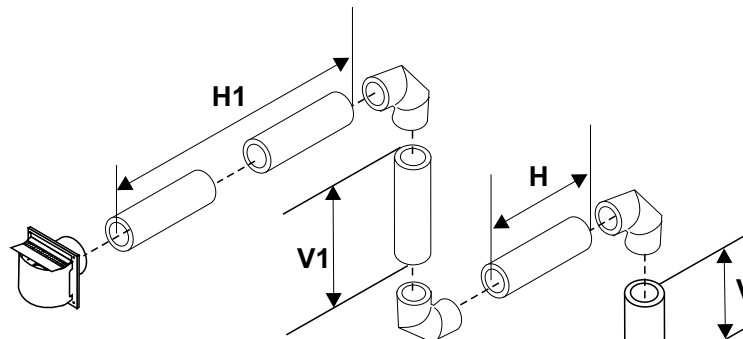


Diagram 14

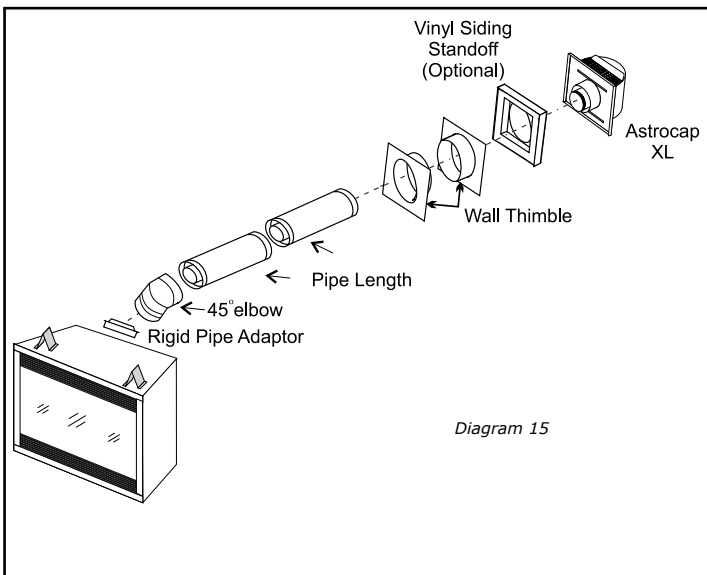
<b>One 90° elbow = Two 45° elbows.</b>						
Option	V	H	V + V1	H + H1	With these options, maximum total pipe length is 30 feet with minimum of 6 feet total vertical and maximum 8 feet total horizontal. <b>Please note minimum 1 foot between 90° elbows is required.</b>	
A)	0' Min.	1' Max.	1' Min.	2' Max.		
B)	1' Min.	2' Max.	3' Min.	3' Max.		
C)	2' Min.	2' Max.	5' Min.	4' Max.		
D)	3' Min.	2' Max.	7' Min.	5' Max.		
E)	4' Min.	3' Max.	9' Min.	6' Max.		
F)	5' Min.	4' Max.	10' Min.	7' Max.		
G)	6' Min.	5' Max.	11' Min.	8' Max.		
H)	7' Min.	6' Max.	12' Min.	9' Max.		
<b>No Vent Restrictor Installed</b>						
Lengths do not include elbow indicated.						
Must use rigid pipe adaptor #770-994.						

# HORIZONTAL TERMINATIONS - ASTROCAP XL & RIGID REAR VENT KIT FOR CORNER INSTALLATIONS - RIGID PIPE 5" X 8"

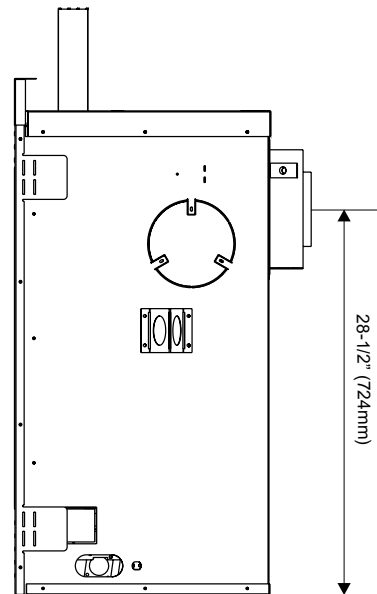
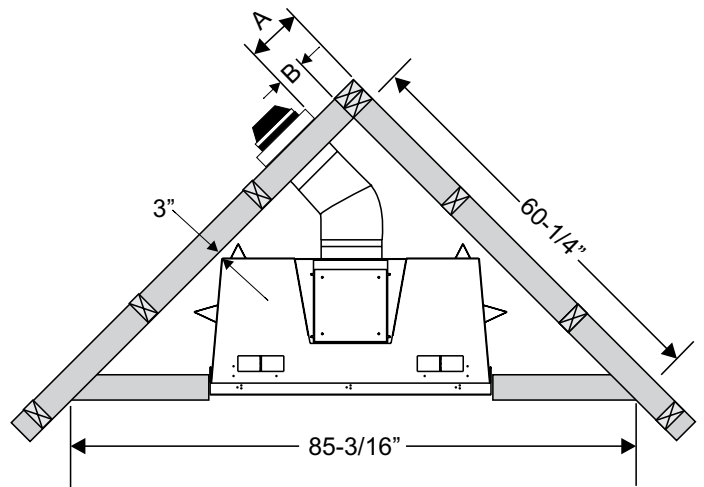
Designed for a minimum vent configuration when using a rear vent application with a horizontal termination in a corner installation.

Kit# 946-612 Includes:		
1	AstroCap XL	946-623/P
1	Rigid Pipe Adaptor	770-994
1	Vinyl Siding Standoff (Optional)	946-625
1	Wall Thimble	58DVA-WT
1	6" Galvanized Rigid Pipe	58DVA-06
1	8-1/2" Galvanized Pipe Extension	58DVA-08A
1	45° Galvanized Elbow	58DVA-E45
1	90ml MillPac	948-128

Placement of the Unit into the Corner	
Back Top Corner of Unit to Wall	3"
Inside Corner out along the Wall	65-1/4"
Across the Face of the Unit, Wall to Wall	91-11/16"
A - Clearance to Outside Corner	13"
B - Clearance to Inside Corner	5-1/2"



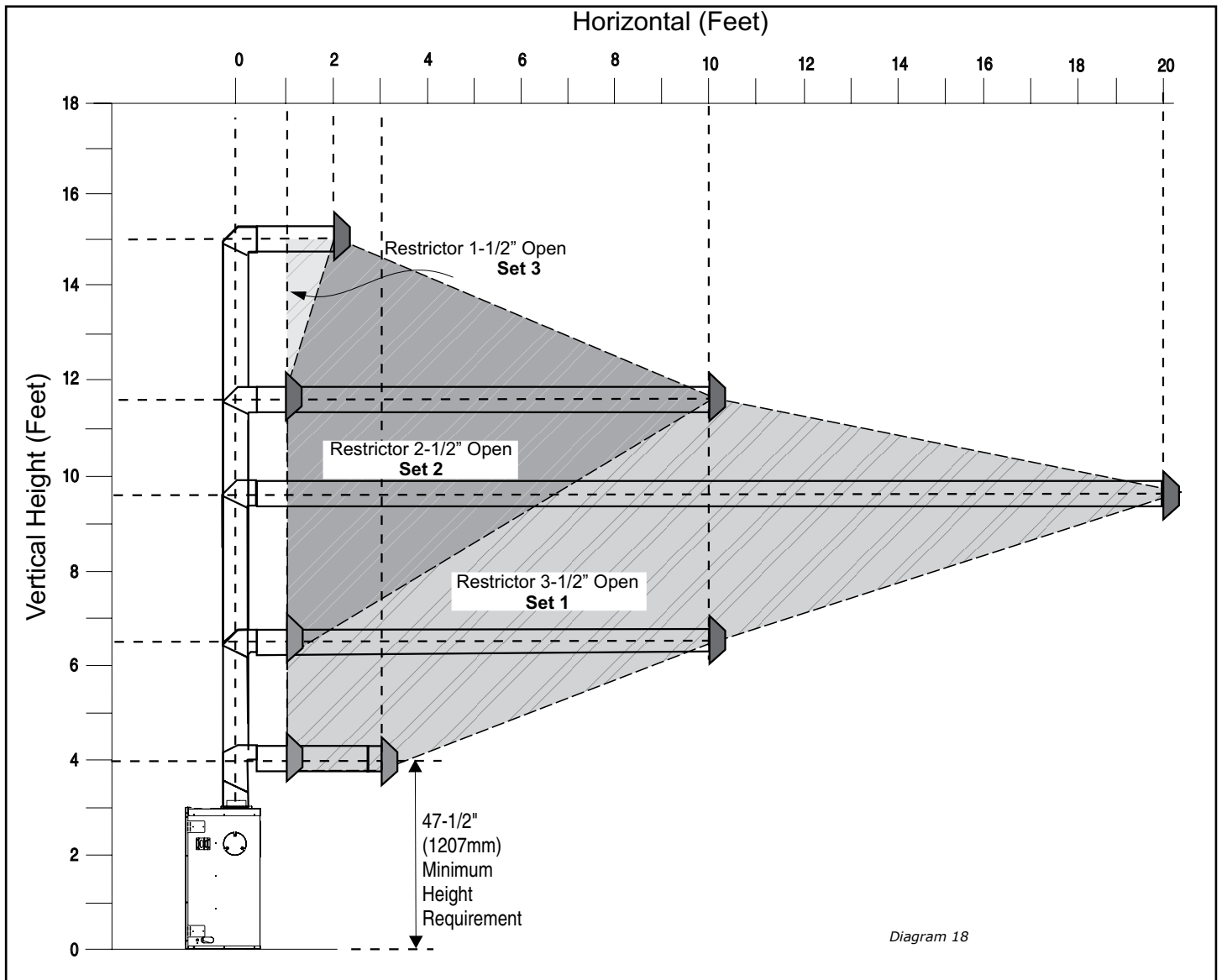
**IMPORTANT**  
Must use Rear Venting Deflector packaged with unit in rear vent horizontal termination applications.



## VENTING ARRANGEMENTS FOR HORIZONTAL TERMINATIONS

The diagram shows all allowable combinations of vertical runs with horizontal terminations, using one 90° (two 45° elbows equal one 90° elbow).

- Maintain clearances to combustibles as listed in "Clearances" section
- Horizontal vent must be supported every 3 feet.
- Firestops are required at each floor level and whenever passing through a wall.
- A wall thimble is mandatory for all horizontal terminations due to high temperatures.



## VENTING ARRANGEMENTS FOR VERTICAL TERMINATIONS

The shaded area in the diagram shows all allowable combinations of straight vertical and offset to vertical terminations, using two 90° elbows, with **rigid/flex pipe venting systems** for propane and natural gas. Two 45° elbows equal to one 90° elbow. Maximum of four 45° elbows allowed.

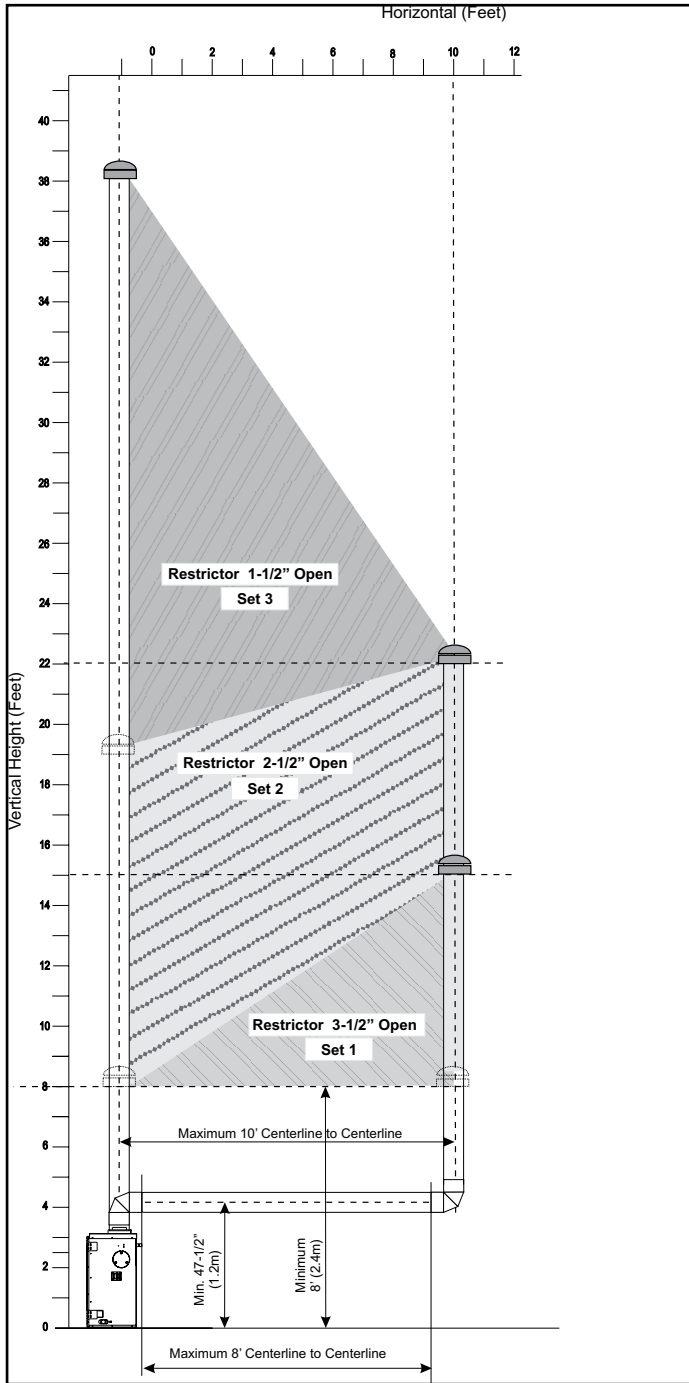


Diagram 19

- Vent must be supported at offsets.
- Firestops are required at each floor level and whenever passing through a wall.
- Maintain clearances to combustibles as listed in the "Clearances" section.
- Refer to the "Vent Restrictor Position" section for details on how to change the vent restrictor from the factory setting to 3-1/2" opening, 2-1/2" opening and to 1-1/2" opening.

**Note: Must use optional flue adapter when using Rigid Pipe (Part # 770-994).**

## VERTICAL TERMINATIONS - THREE 90° ELBOWS (RIGID/FLEX PIPE 5" X 8")

<i>One 90° elbow = Two 45° elbows.</i>			
Option	V	V + V1	H + H1
A)	0' Min.	2' Min.	2' Max.
B)	1' Min.	3' Min.	2' Max.
C)	2' Min.	4' Min.	3' Max.
D)	3' Min.	6' Min.	4' Max.
E)	4' Min.	7' Min.	5' Max.
F)	5' Min.	8' Min.	6' Max.
G)	6' Min.	9' Min.	7' Max.
H)	7' Min.	10' Min.	8' Max.

With these options, maximum total pipe length is 30 feet with minimum of 6 feet total vertical and maximum 8 feet total horizontal.

**Please note minimum 1 foot between 90° elbows is required.**

**Restrictor: 2-1/2" open, Set 2**

Lengths do not include elbow indicated.

Must use rigid pipe adaptor #770-994

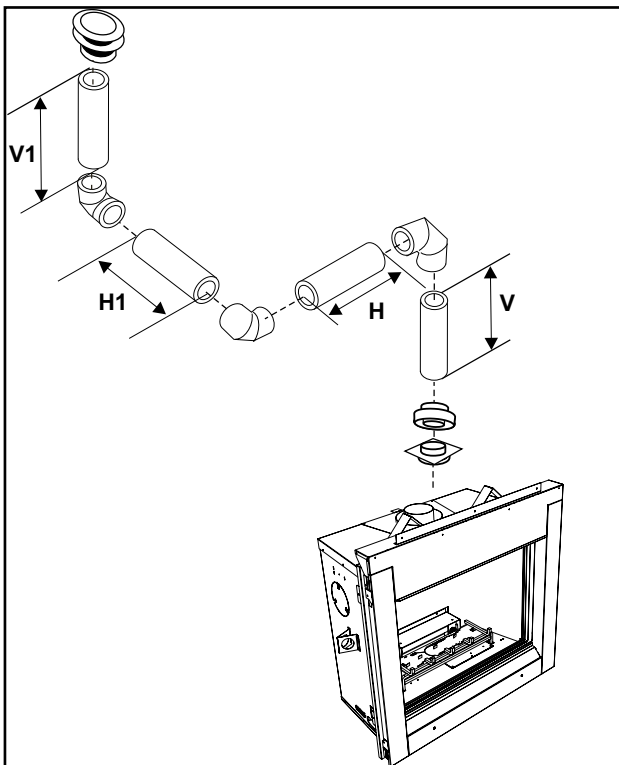


Diagram 20