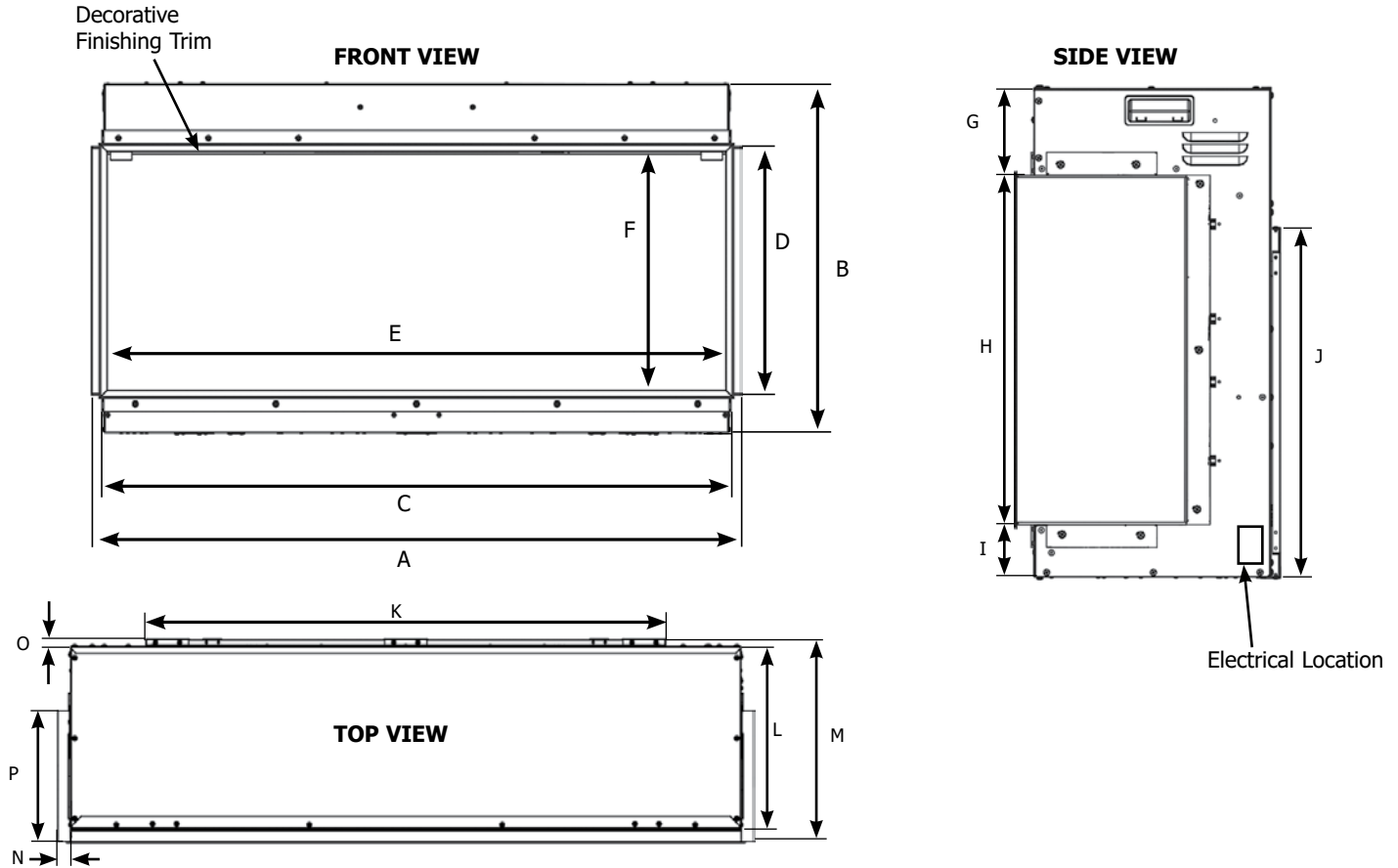


# Onyx EX110/EX150/EX190 Electric Fireplace

MODELS	Max. Power Consumption
EX110	120VAC (1500W)
EX150	120VAC (1500W)
EX190	120VAC (1500W)



## Unit Dimensions

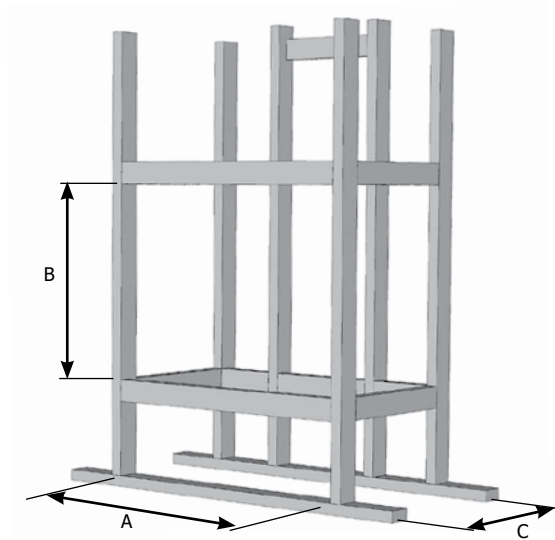


MODEL	A	B	C	D	E	F	G	H
	(inches/mm)							
<b>Onyx EX110</b>	45-7/16" (1154 mm)	24-3/4" (628 mm)	44" (1118 mm)	17-7/16" (443 mm)	43-5/16" (1100 mm)	16-3/4" (425 mm)	4-3/8" (111 mm)	17-3/8" (442 mm)
<b>Onyx EX150</b>	61-3/16" (1554 mm)	24-3/4" (628 mm)	59-3/4" (1518 mm)	17-7/16" (443 mm)	59-1/16" (1500 mm)	16-3/4" (425 mm)	4-3/8" (111 mm)	17-3/8" (442 mm)
<b>Onyx EX190</b>	78-15/16" (2005 mm)	24-3/4" (628 mm)	77-1/2" (1968 mm)	17-7/16" (443 mm)	76-3/4" (1950 mm)	16-3/4" (425 mm)	4-3/8" (111 mm)	17-3/8" (442 mm)
MODEL	I	J*	K*	L	M	N	O	P
	(inches/mm)							
<b>Onyx EX110</b>	2-5/8" (66-1/2 mm)	17-1/2" (445 mm)	33-15/16" (862 mm)	11-13/16" (300 mm)	13-1/4" (336 mm)	7/8" (22 mm)	1/2" (12 mm)	8-1/2" (216 mm)
<b>Onyx EX150</b>	2-5/8" (66-1/2 mm)	17-1/2" (445 mm)	50-9/16" (1284 mm)	11-13/16" (300 mm)	13-1/4" (336 mm)	7/8" (22 mm)	1/2" (12 mm)	8-1/2" (216 mm)
<b>Onyx EX190</b>	2-5/8" (66-1/2 mm)	17-1/2" (445 mm)	69-7/16" (1764 mm)	11-13/16" (300 mm)	13-1/4" (336 mm)	7/8" (22 mm)	1/2" (12 mm)	8-1/2" (216 mm)

\*Wall Mounting Bracket

## Framing Installation (Single Sided)

**NOTE:** Framing may be constructed of combustible material (i.e. 2 x 4/2 x 6) and does not require steel studs.



**NOTE:** The appliance must be installed on a flat, solid, continuous surface (e.g. wood, metal, concrete). which must be the full width and depth of appliance.

This may be the floor, or raised up on a platform to enhance its visual impact.

**Note:** Measurement (B) does not include height of platform base if raised off the ground.

Example 1/2"(13 mm) thick platform base = 25-3/4" (654mm) framing height.

ONYX	A	B	C
EX110	44-13/16" (1138 mm)	25-1/4" (641 mm)	12-7/16" (316 mm)
EX150	60-9/16" (1538 mm)	25-1/4" (641 mm)	12-7/16" (316 mm)
EX190	78-1/4" (1988 mm)	25-1/4" (641 mm)	12-7/16" (316 mm)

## Framing

### COMPLETING THE INSTALLATION (SINGLE SIDED)

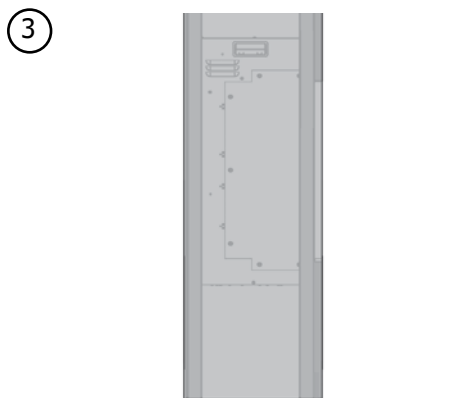
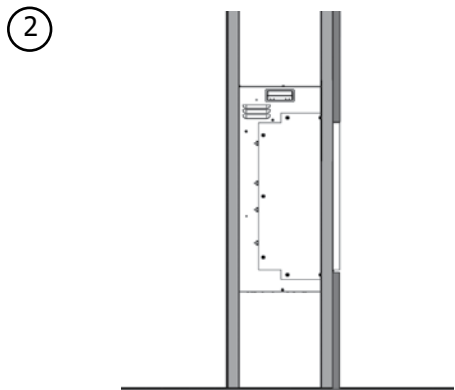
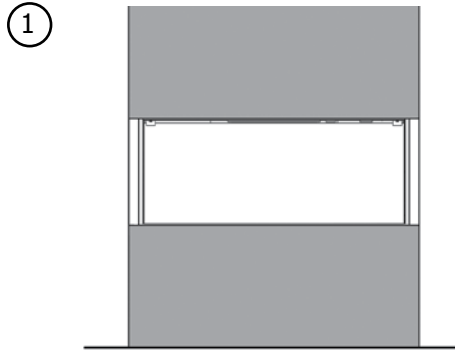
The appliance is designed to be used with 1/2 in. (13 mm) wall sheathing materials such as drywall, plywood, wood composites, or non-combustible materials with the supplied decorative trim. Thicker materials may also be used.

Thicker finishing materials would need to go around the perimeter of the decorative finishing trim. Ensure there is a minimum of 1/16" (3 mm) gap around the perimeter of the decorative trim to ensure safe removal to clean glass or for servicing appliance. See technical specifications in this manual for overall sizes of decorative trim.

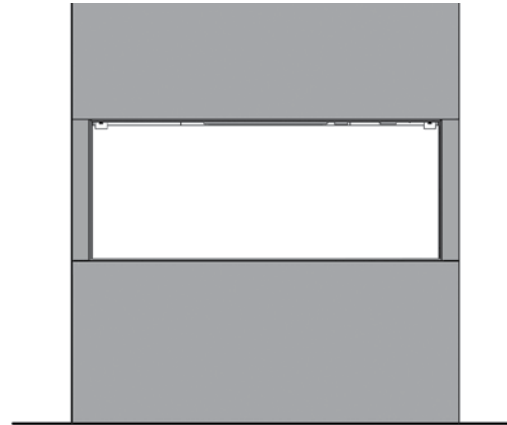
Facing and/or finishing materials must never overhang into the glass opening.

Facing materials may be combustible or non-combustible. To cover cut/ exposed edges of the combustible facing material or any other finishing materials being used we suggest using J Style Trim or Metal Corner Bead purchased at your local hardware store.

Do not penetrate any screws into the body face.



④ Completed Install.



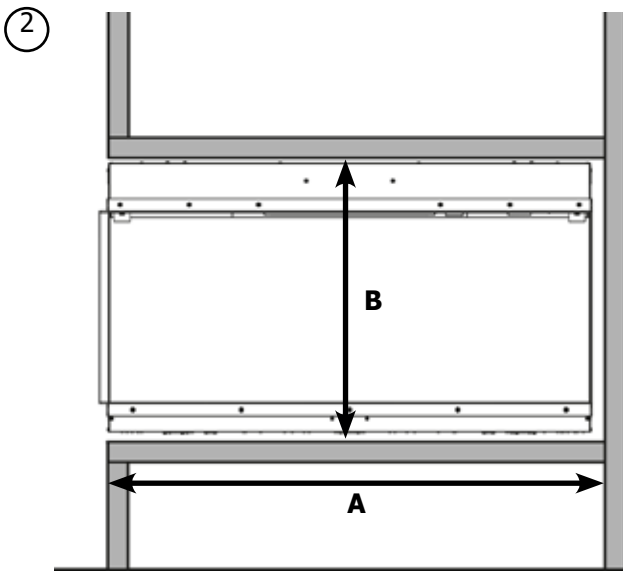
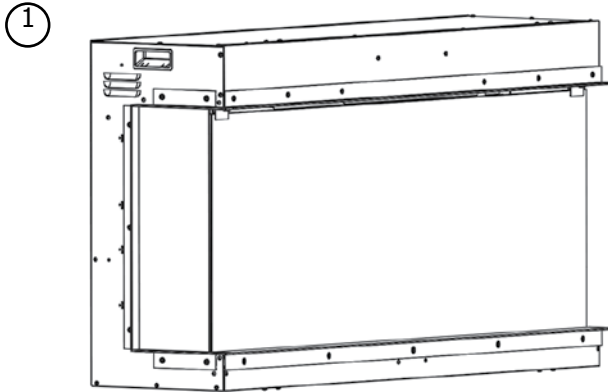
### PAINTING

If desired finishing includes a painted wall, 100% acrylic latex, oil-based, or standard acrylic paints may be used. Follow paint manufacturer's instructions for paint and primer application.

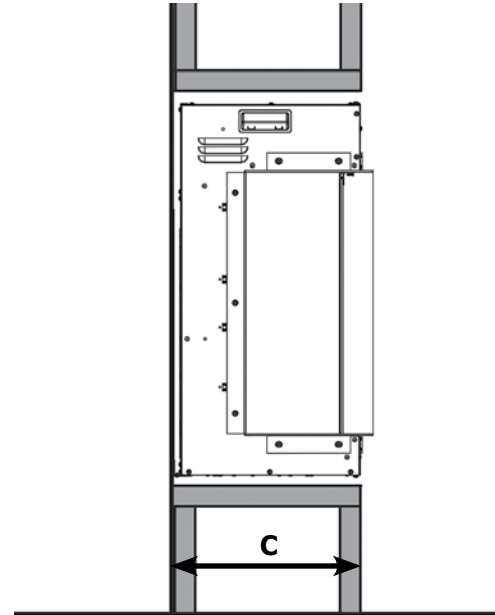
## Framing

### TWO SIDED VIEW INSTALLATION (LEFT/RIGHT SIDED)

**Note:** If glass is going to be on other side, simply reverse framing methods. Framing shown with small glass on left hand side.



3



**NOTE:** The appliance must be installed on a flat, solid, continuous surface (e.g. wood, metal, concrete) which must be the full width and depth of appliance.

This may be the floor, or raised up on a platform to enhance its visual impact.

**Note:** Measurement (B) does not include height of platform base if raised off the ground.

Example 1/2"(13 mm) thick platform base = 25-3/4" (654 mm) framing height.

ONYX	A	B	C
EX110	44-7/16" (1128 mm)	25-1/4" (641 mm)	12-7/16" (316 mm)
EX150	60-3/16" (1528 mm)	25-1/4" (641 mm)	12-7/16" (316 mm)
EX190	77-7/8" (1978 mm)	25-1/4" (641 mm)	12-7/16" (316 mm)

## Framing

### COMPLETING THE INSTALLATION

#### TWO SIDED VIEW INSTALLATION (LEFT/RIGHT CORNER)

The appliance is designed to be used with 1/2 in. (13 mm) wall sheathing materials such as drywall, plywood, wood composites, or non-combustible materials.

Thicker materials may also be used.

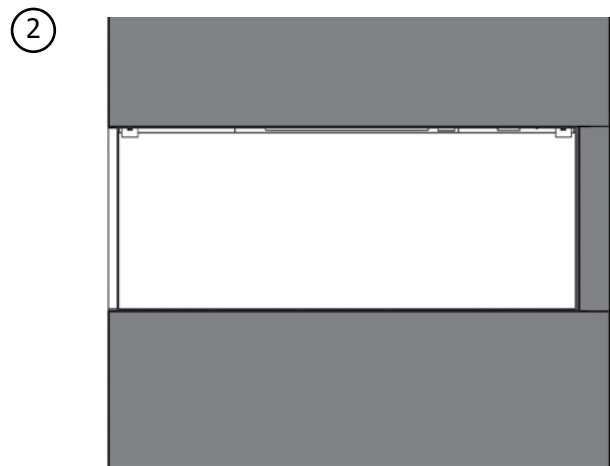
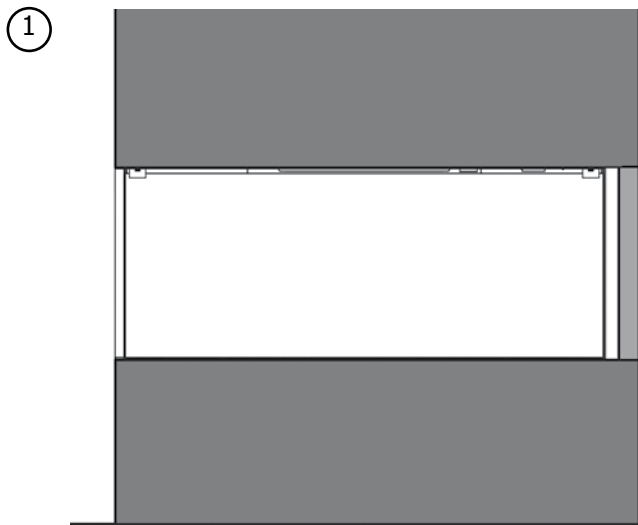
Note: The decorative finishing trim is not used when installed as a two sided view and will need to be recycled.

Facing and/or finishing materials must never overhang into the glass opening.

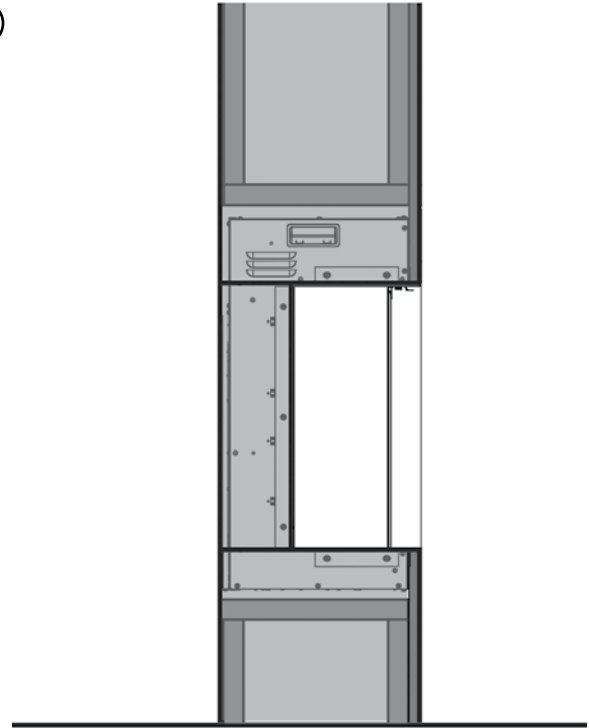
Facing materials may be combustible or non-combustible.

To cover cut/ exposed edges of the combustible facing material or any other finishing materials being used we suggest using J Style Trim or Metal Corner Bead purchased at your local hardware store.

Do not penetrate any screws into the body face.

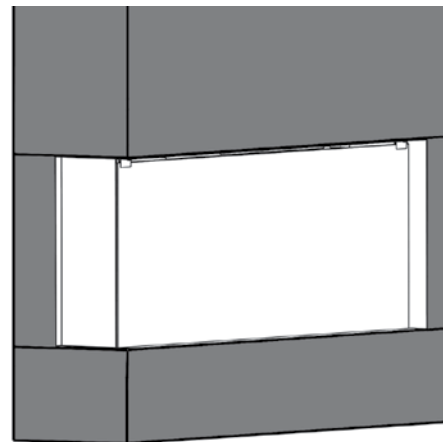


③



④

Completed Install.



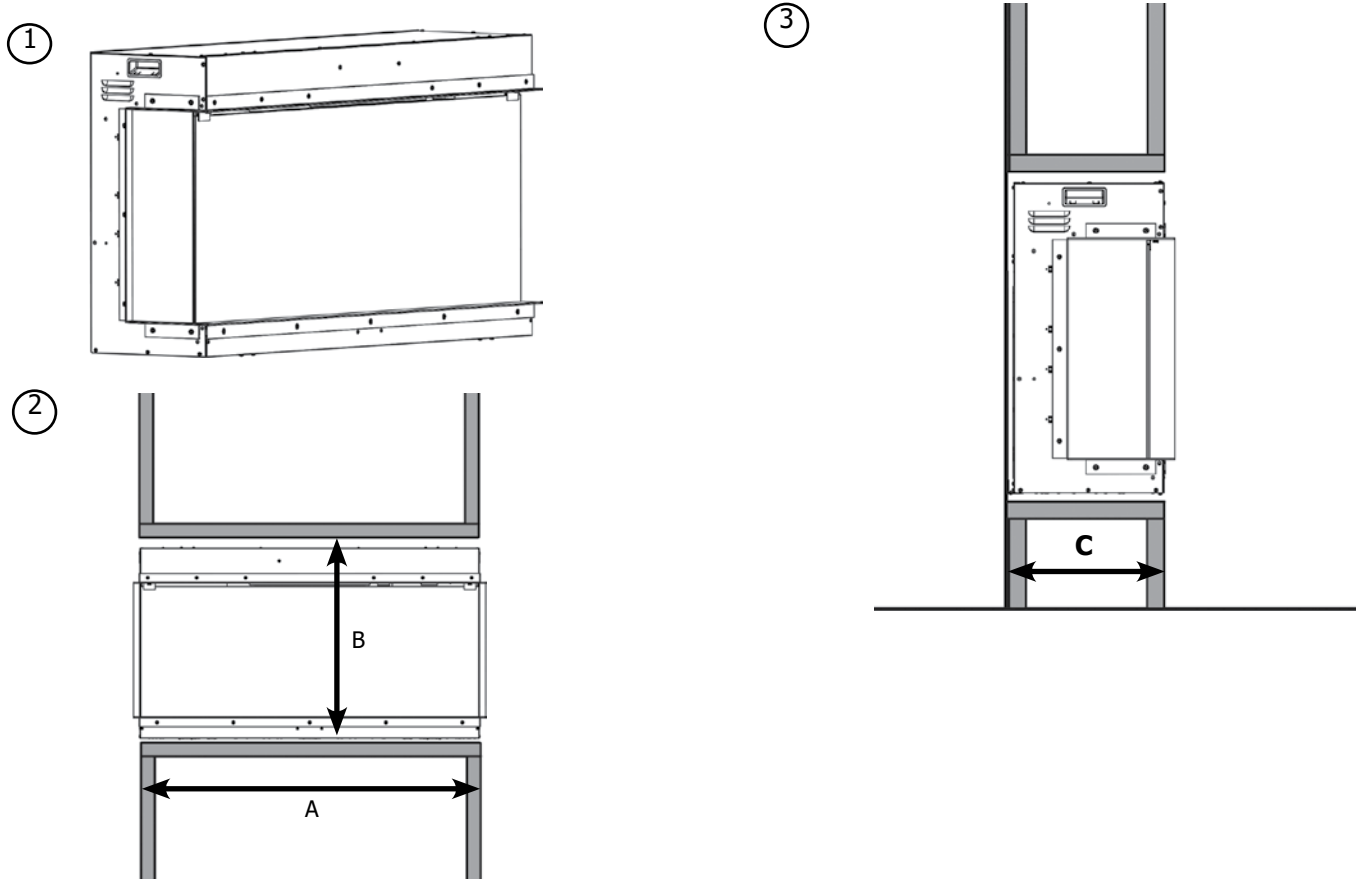
#### PAINTING

If desired finishing includes a painted wall, 100% acrylic latex, oilbased, or standard acrylic paints may be used.

Follow paint manufacturer's instructions for paint and primer application.

## Framing

### THREE SIDED VIEW INSTALLATION



**NOTE:** The appliance must be installed on a flat, solid, continuous surface (e.g. wood, metal, concrete) which must be the full width and depth of appliance. This may be the floor, or raised up on a platform to enhance its visual impact.

**Note:** Measurement (B) does not include height of platform base if raised off the ground. Example 1/2" (13 mm) thick platform base = 25 3/4" (654 mm) framing height.

ONYX	A	B	C
EX110	44-1/2" (1130 mm)	25-1/4" (641 mm)	12-7/16" (316 mm)
EX150	60-1/4" (1530 mm)	25-1/4" (641 mm)	12-7/16" (316 mm)
EX190	77-15/16" (1980 mm)	25-1/4" (641 mm)	12-7/16" (316 mm)

## Framing

### COMPLETING THE INSTALLATION

#### THREE SIDED VIEW INSTALLATION

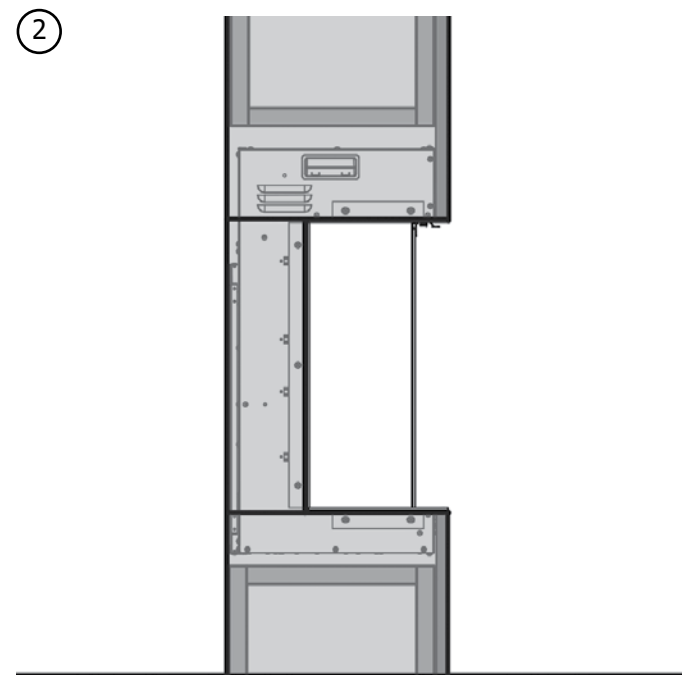
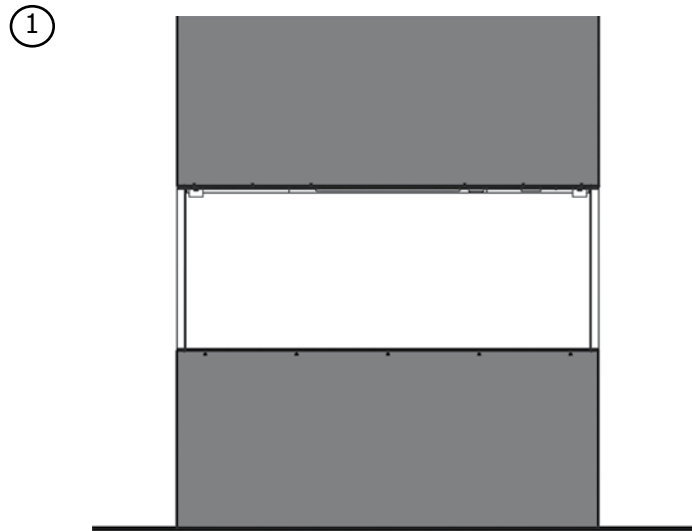
The appliance is designed to be used with 1/2 in. (13 mm) wall sheathing materials such as drywall, plywood, wood composites, or non-combustible materials. Thicker materials may also be used.

Note: The decorative finishing trim is not used when installed as as a three sided view and will need to be recycled.

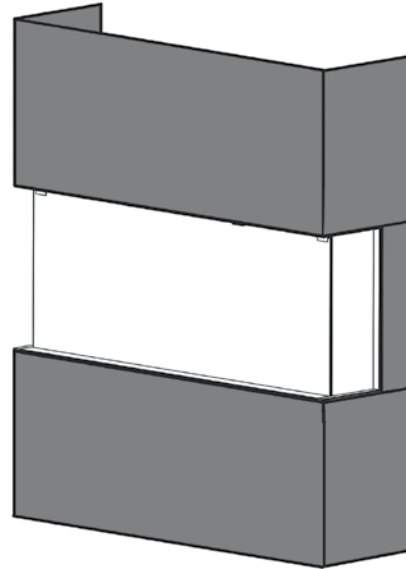
Facing and/or finishing materials must never overhang into the glass opening.

Facing materials may be combustibile or non-combustibile.

To cover cut/ exposed edges of the combustibile facing material or any other finishing materials being used we suggest using J Style Trim or Metal Corner Bead purchased at your local hardware store. Do not penetrate any screws into the body face.



3 Completed Install.



### PAINING

If desired finishing includes a painted wall, 100% acrylic latex, oilbased, or standard acrylic paints may be used.

Follow paint manufacturer's instructions for paint and primer application.