

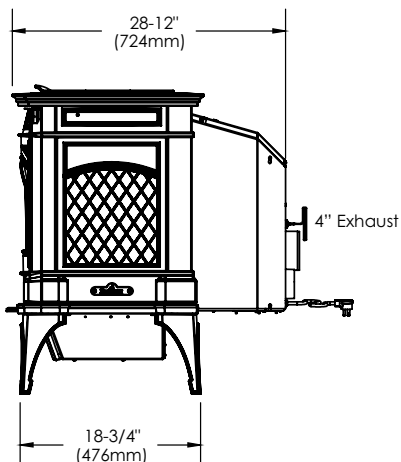
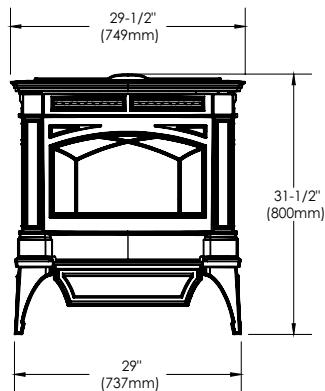
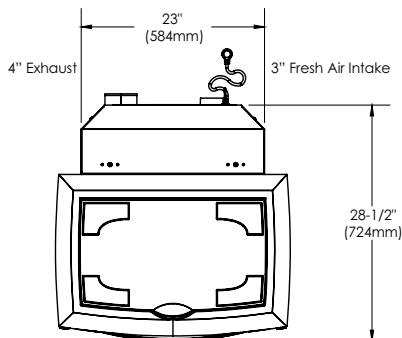
## Hampton GC60-2 Freestanding Pellet Stove

Model	GC60-2
Heat Output BTUs	7,817-38,437 BTUs
Emissions (grams/hr) EPA Certified	1.9 gram/hr
Efficiency (EPA HHV)*/**	78%
Efficiency (EPA LHV)	86%
Flue Size	4" (102 mm)
US Biomass Tax Rebate Eligible*/**	Yes

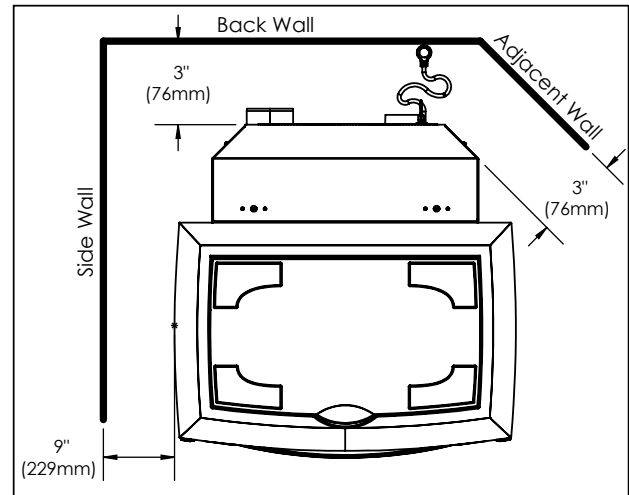
\*US Biomass Tax Rebate eligibility is based on the HHV value being greater than or equal to 75%. \*

\*\*When using optional top vent adaptor kit (GC60-920) and 4" to 6" flue adaptor (4PVP-X6). See instruction manual for further information.

### DIMENSIONS



### CLEARANCES TO COMBUSTIBLES



These dimensions are minimum clearances but it is recommended that you ensure sufficient room for servicing, routine cleaning and maintenance.

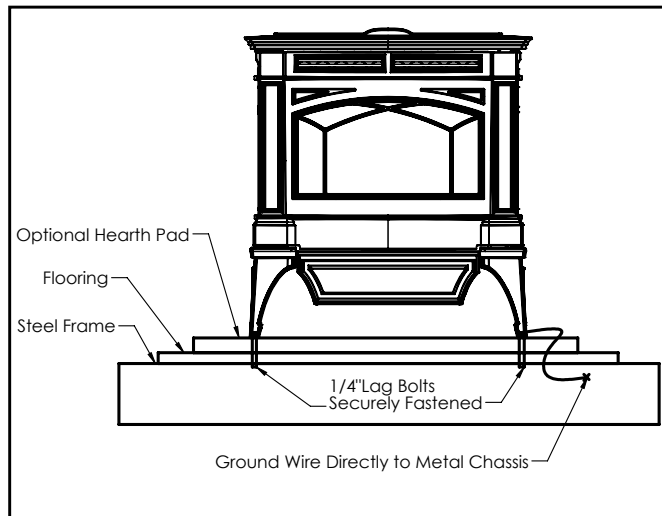
Side wall to unit	9 inches	(229 mm)
Back wall to unit	3 inches	(76 mm)
Corner to unit	3 inches	(76 mm)
Ceiling height	60 inches	(1524 mm)

Alcove Maximum Depth	36 inches	(914 mm)
Alcove Minimum Width	48 inches	(1219 mm)
Alcove Minimum Height	60 inches	(1524 mm)

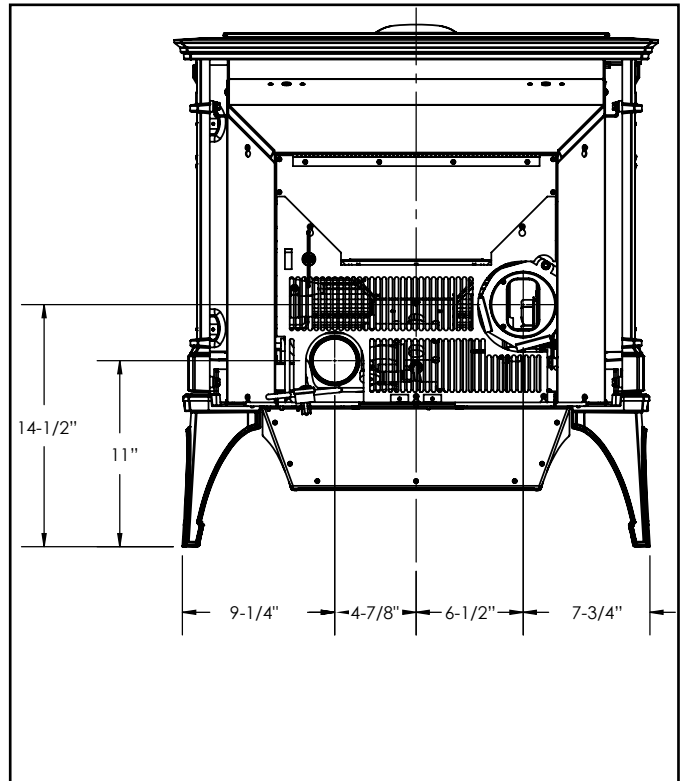
The unit must be installed with a minimum of 6" (152 mm) of floor protection in front of and to the sides of the door opening.

## MOBILE HOME INSTALLATION

- Secure the heater to the floor using the four (4) holes in the pedestal.
- Ensure the unit is electrically grounded to the chassis of your home (permanently).
- Do not install in a room people sleep in.
- Outside fresh air is mandatory. Secure outside air connections directly to fresh air intake pipe and secure with three (3) screws evenly spaced.
- All specified components must be used. Do not use any components other than what's specified.



## EXHAUST AND FRESH AIR INTAKE LOCATION



**THIS UNIT USES A 4" EXHAUST VENT.**

### EXHAUST:

Base of unit to center of flue 14-1/2" (368 mm)

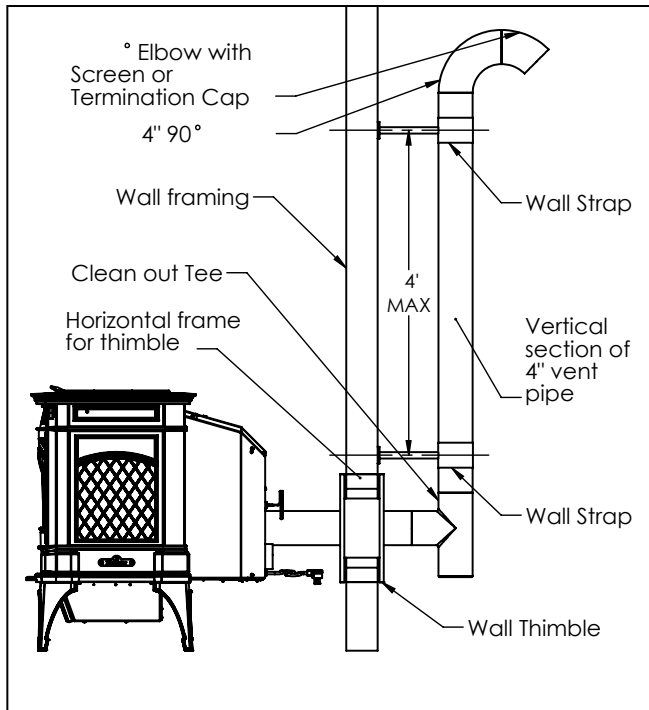
Center of unit to center of flue 6-1/2" (162 mm)

### FRESH AIR INTAKE:

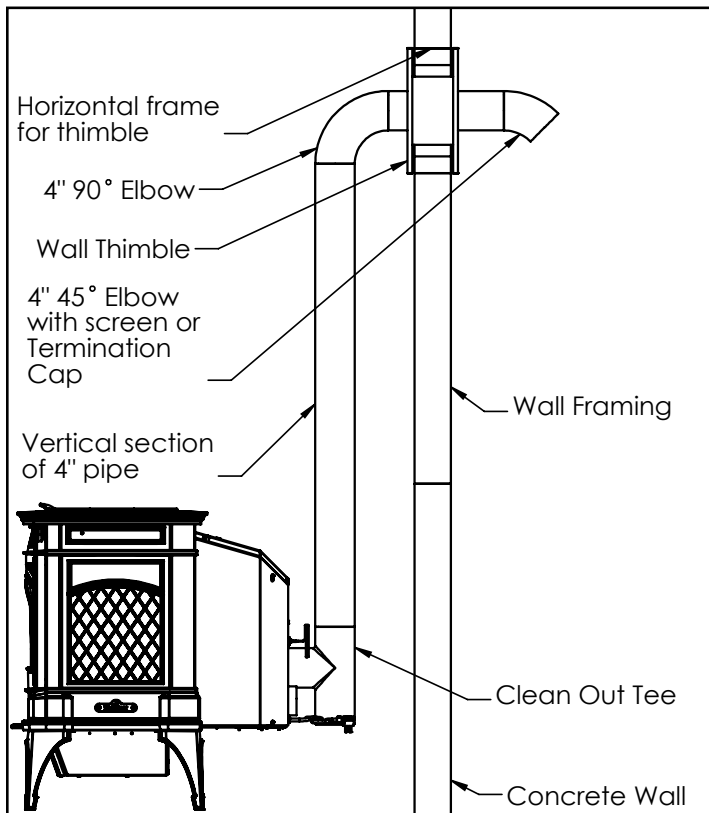
Base of unit to center of intake 11" (279 mm)

Center of unit to center of intake 4-7/8" (126 mm)

**THROUGH WALL WITH VERTICAL RISE AND HORIZONTAL TERMINATION INSTALLATION**



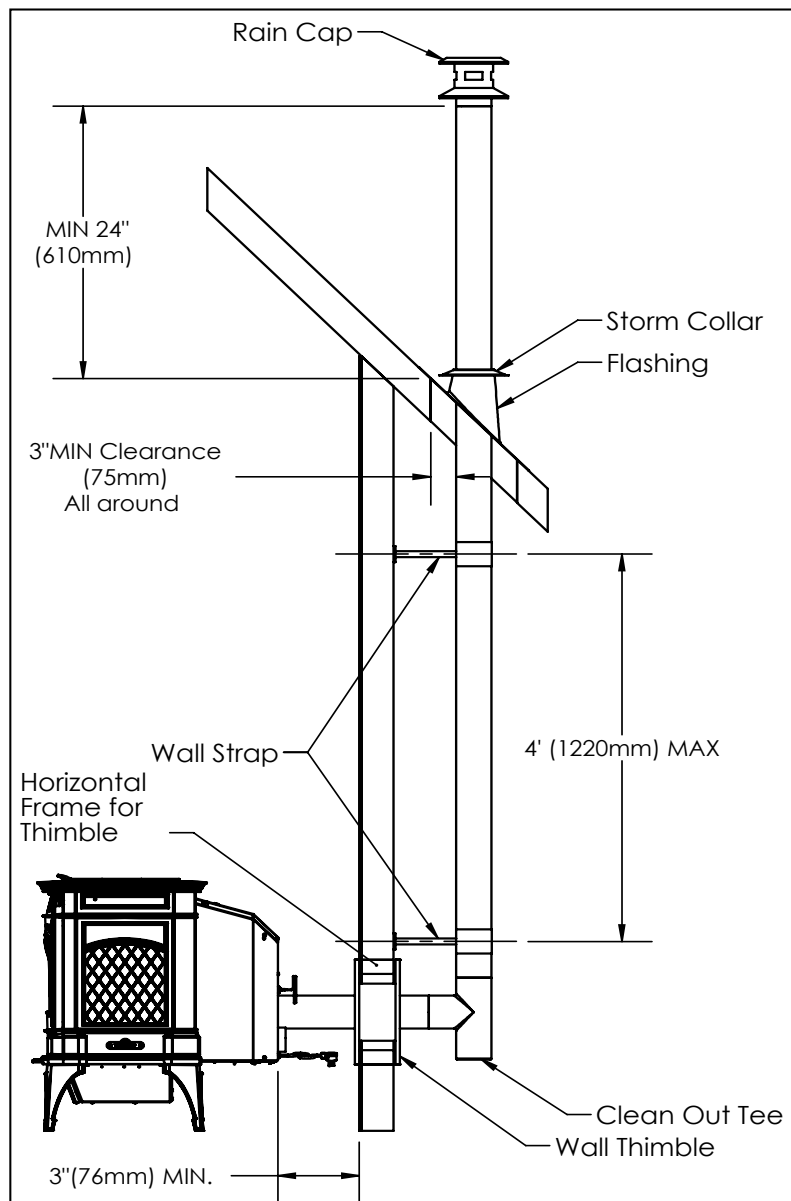
**THROUGH CONCRETE WALL WITH VERTICAL RISE INSTALLATIONS**



## OUTSIDE VERTICAL INSTALLATIONS

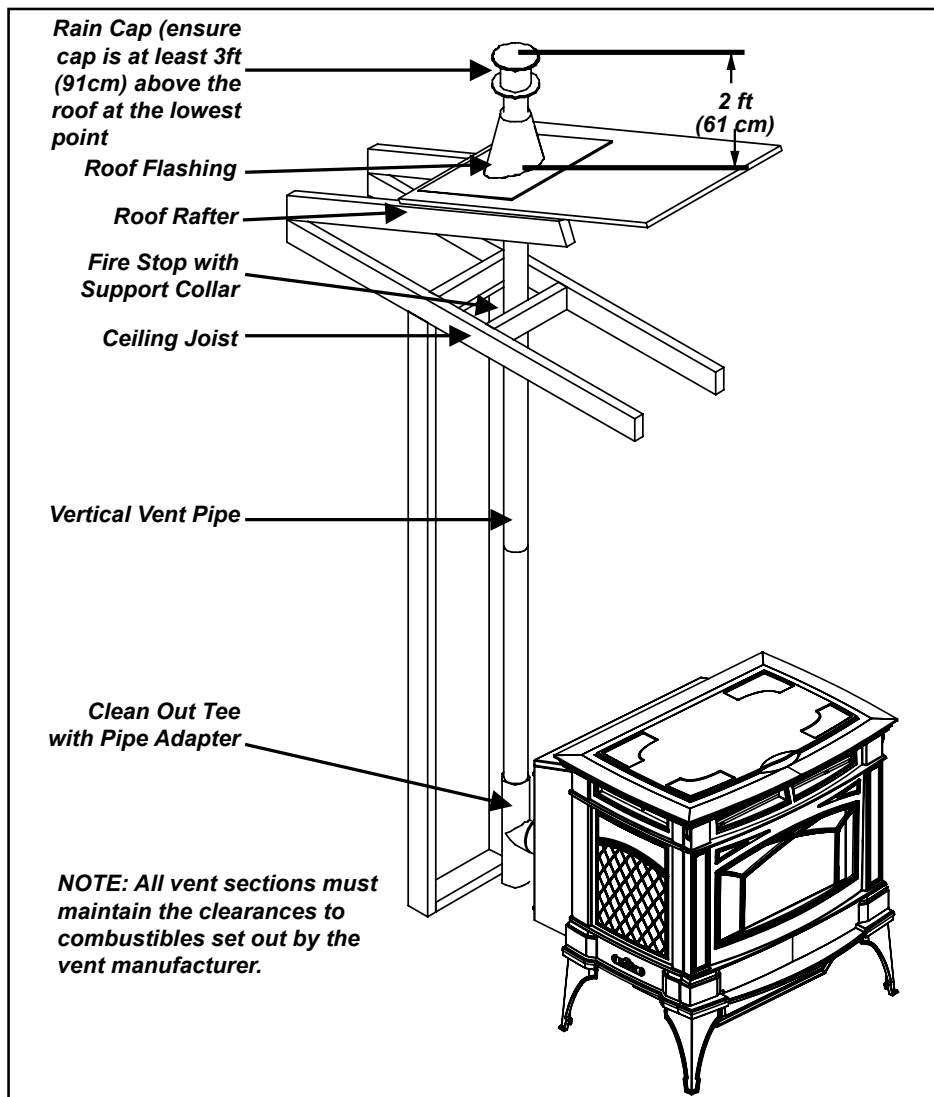
To accomplish an outside vertical pipe installation, follow the "HORIZONTAL EXHAUST THROUGH WALL INSTALLATIONS" section and then finish it by performing the following (refer to Figure 15).

1. Install a tee with clean out on the outside of the house.
2. Install PL vent upward from the tee. Make sure that you install support brackets to keep the vent straight and secure. All joints in the exhaust venting system must be fastened with at least three (3) screws.
3. Install ceiling thimble and secure the flashing as you go through the roof.
4. Ensure that the rain cap is a minimum of 24" (61 cm) above the roof.

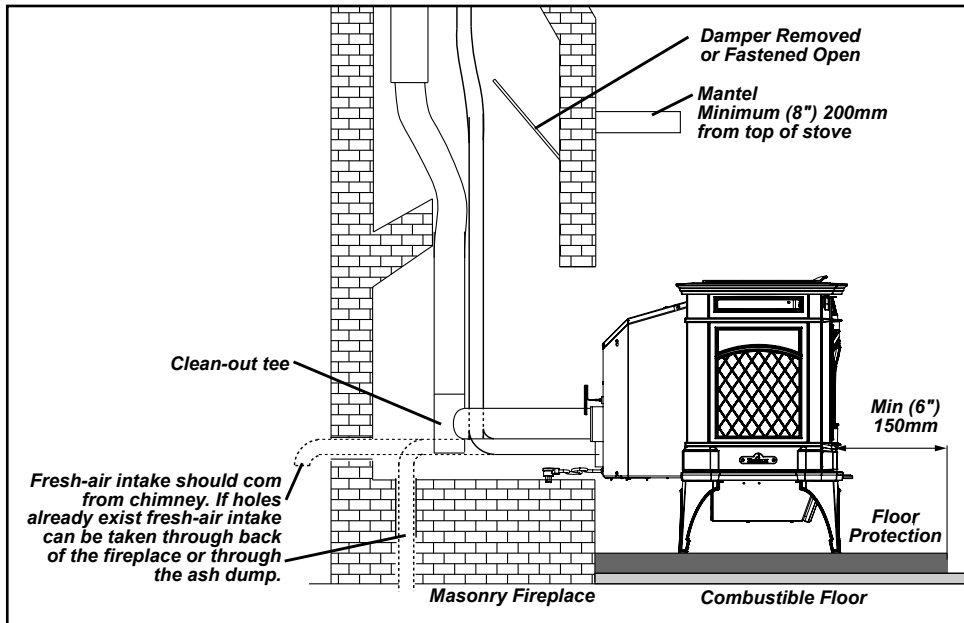


## INSIDE VERTICAL INSTALLATIONS

1. Place the unit on the hearth pad if a hearth pad is to be used (or on solid material if installed on a carpeted surface) and space the unit in a manner so when the pellet vent is installed vertically, it will meet the minimum clearance from a combustibile wall stated by the vent manufacturer.
2. Install the tee with clean out.
3. Install the pellet vent upward from tee. When you reach the ceiling, make sure that the vent goes through a ceiling fire stop. Keep attic insulation away from the vent pipe & maintain an effective vapor barrier. All joints in the exhaust venting system must be fastened with at least three (3) screws. Refer to vent manufacturer for distance to combustibles & follow the vent manufacturer's instructions on sealing.
4. Finally, extend the pellet vent to go through the roof flashing.
5. Ensure that the rain cap is a minimum of 24" (61 cm) above the roof.
6. Install the fresh air system.

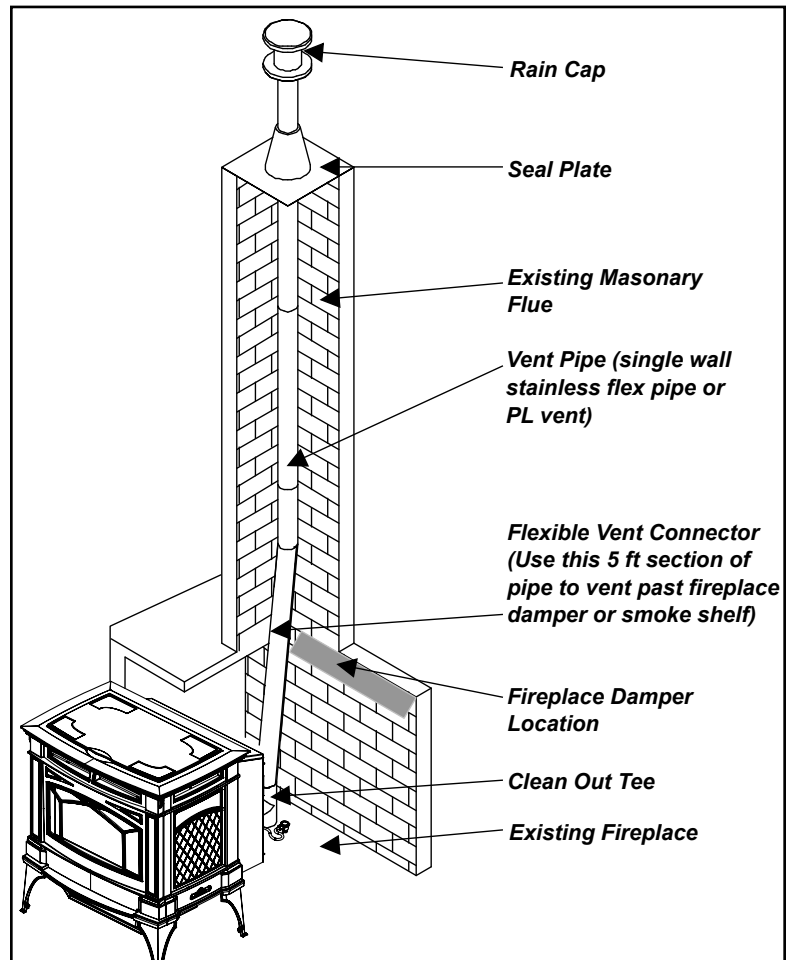


## HEARTH MOUNT INSTALLATION



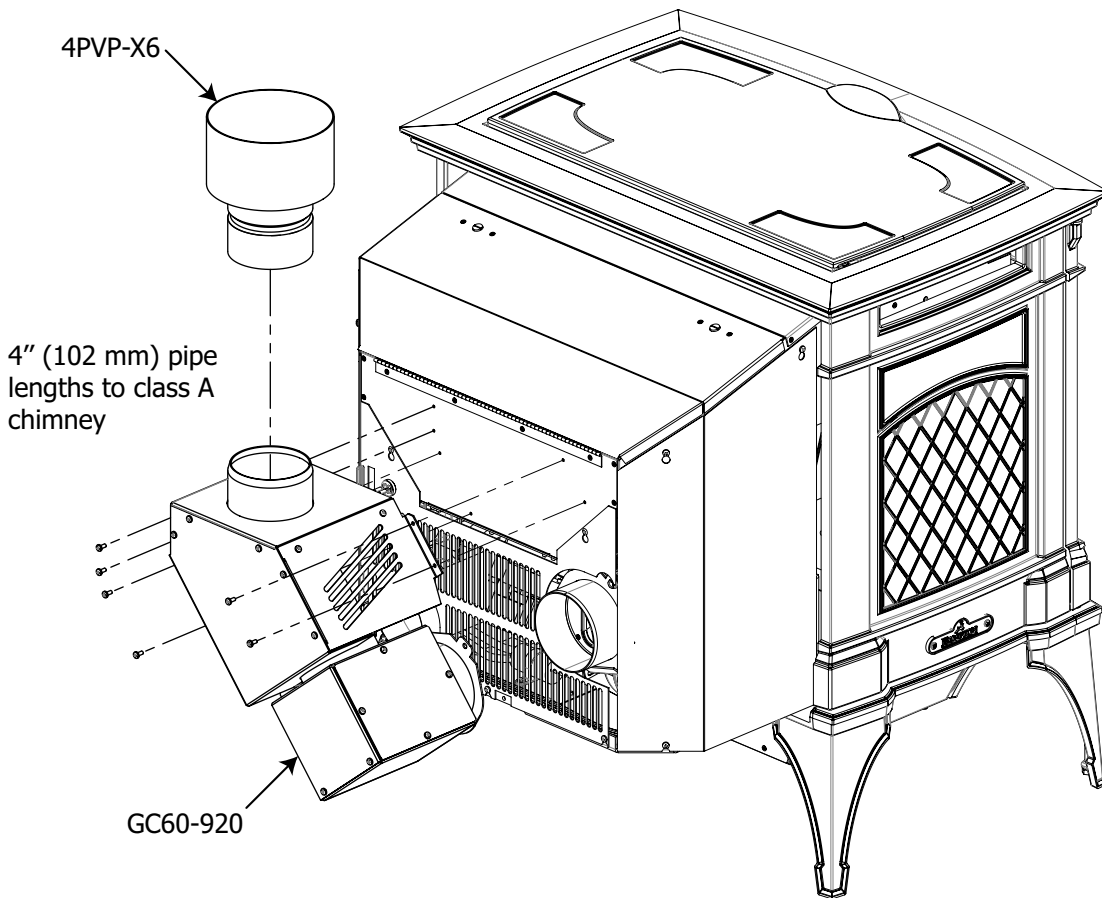
**Hearth Mount - Side View**

1. Lock fireplace damper in the open position.
2. Install flexible stainless steel liner or listed pellet vent to the top of the chimney. All joints in the exhaust venting system must be fastened with at least three (3) screws.
3. Install a sealing plate at the top of the chimney.
4. Connect a rain cap and flex adapter to the chimney liner/pipe.
5. Connect a clean-out tee or a 90° elbow to the liner/pipe.
6. Install tee onto stove.



**Hearth Mount - Over View**

## TOP VENT ADAPTOR KIT & 4" (102 MM) TO 6" (152 MM) FLUE ADAPTOR (APPROVED FOR VERTICAL INSTALLATIONS ONLY)



\*In order to achieve the maximum rated efficiency of 78% HHV purchase of a top vent adaptor kit (GC60-920) is required. Use the sheet metal screws provided to attach the kit to the rear of the unit as shown. Please see kit instruction manual for more detailed installation instructions.  
The stove must also be connected to a 6" (152 mm) Class A flue (where permitted) using the 4" (102 mm) to 6" (152 mm) Flue Adaptor (4PVP-X6).  
See separate instruction manual for complete details.

**Note:** Part # 6DVL-ADT Simpson Duravent DVL adaptor would also be required to connect the 4" (102 mm) - 6" (152 mm) increaser to class A chimney when going through the wall or ceiling when using Simpson Duravent Duraplus/Duratech chimney systems. Not required with DuraTech Premium or DuraTech Canada. DTC ceiling supports feature a built-in flue extension which eliminates the need for this Simpson Duravent DVL adaptor.