

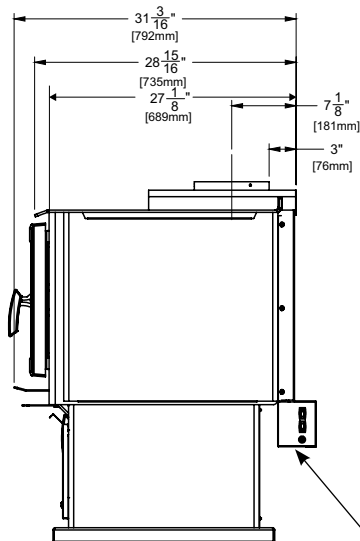
F5200 Wood Large Stove (Crib Wood)

Model	F5200
Crib Wood BTU's	95,000 BTU's
Emissions (grams/hr) EPA Certified	0.84 grams/hr
Efficiency (EPA HHV)*	80%
Efficiency (EPA LHV)	86%
Flue Size**	8" (203 mm)
US Biomass Tax Rebate Eligible	Yes
Maximum Log Size	22" (559 mm)
Firebox Size	4.4 cu.ft.
* Cannot be reduced in size	

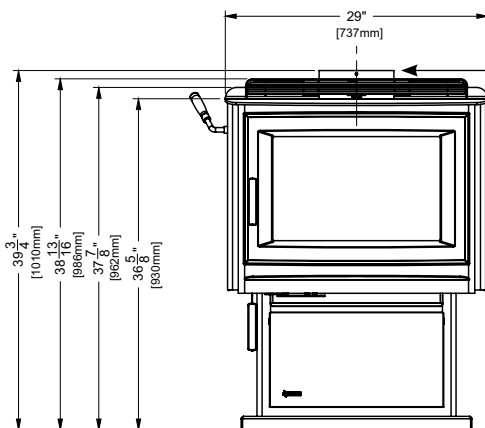
**US Biomass Tax Rebate eligibility is based on the HHV value being greater than or equal to 75%.



UNIT DIMENSIONS

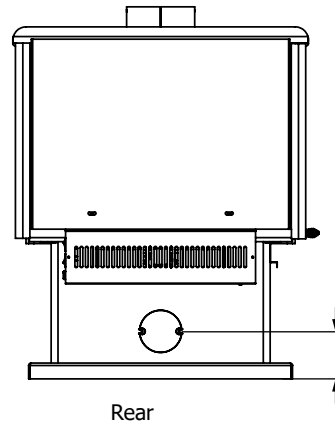


Shown with optional fan



8" (203mm) diameter flue collar

WOOD STOVE OUTSIDE AIR DIMENSIONS



With pedestal from base of unit to centerline 5-1/2" (138mm)

ALL PICTURES / DIAGRAMS SHOWN THROUGHOUT THIS MANUAL ARE FOR ILLUSTRATION PURPOSES ONLY. ACTUAL PRODUCT MAY VARY DUE TO PRODUCT ENHANCEMENTS.

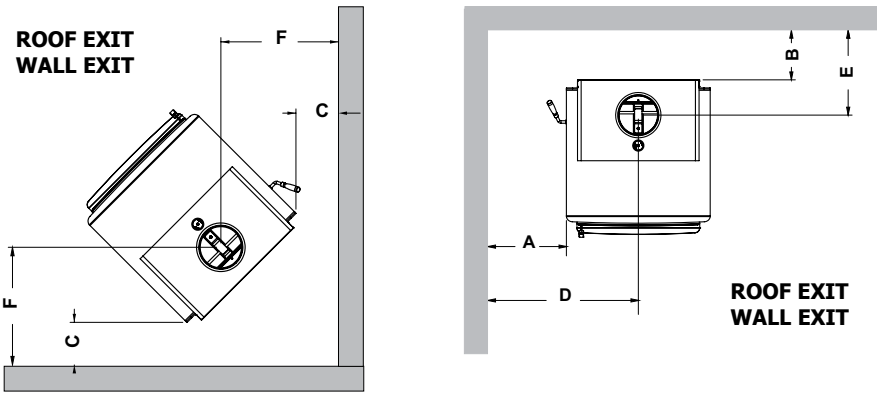
MINIMUM CLEARANCE TO COMBUSTIBLE MATERIALS

Please read the section below carefully as clearances depend on whether the Airmate or the Rear Heat Deflector is installed on the stove. Measurements "From Unit" are from the top plate of the stove to a side wall or to a corner, and from the rear heat shield to a back wall.

Clearances may only be reduced by means approved by the regulatory authority.

Note: Minimum ceiling height roof exit - 83" (2108 mm)

NOTE: This clearance is also required for air space between the appliance and wall/ceiling.



NOTE: Approved with Listed Double Wall pipe only. Do not use single wall pipe.

NOTE: Be aware that local Codes and Regulations may override some clearances listed in this manual. Check with your local inspector.

NOTE: Clearances to combustibles are for the safety of the property. To avoid overheating and damaging the appliance these clearances should be maintained for non-combustibles also.

Residential Close Clearance (To be installed with required pipe components) Listed Double Wall Pipe
When the stove is installed as a close clearance residential unit, a listed double wall connector is required from the stove collar to the ceiling level.

F5200	with Airmate or Rear Deflector	A	B	C	D	E	F
		11" 279mm	10" 254mm	8" 203mm	25-1/2" 648mm	17-1/8" 435mm	22-1/2" 572mm

Mobile Home Close Clearance (To be installed with required pipe components) Listed Double Wall Pipe
When the stove is installed as a close clearance residential unit, a listed double wall connector is required from the stove collar to the ceiling level. Refer to Mobile Home Installation in this manual.

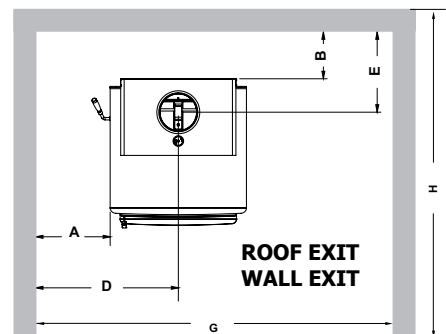
F5200	with Airmate or Rear Deflector	A	B	C	D	E	F
		11" 279mm	10" 254mm	8" 203mm	25-1/2" 648mm	17-1/8" 435mm	22-1/2" 572mm

Minimum Alcove Clearance to Combustible Materials

The Regency Freestanding models have been alcove approved and must be installed with a listed double wall connector to the ceiling level.

Note: Minimum alcove ceiling height - 83" (2108 mm)
H = Maximum depth of alcove - 48" (1219 mm)
G = Minimum width of alcove - 63" (1600 mm)

NOTE: This clearance is also required for air space between the appliance and wall/ceiling.



FLOOR PROTECTION (EMBER PROTECTION ONLY REQUIRED)

A combustible floor must be protected by a non-combustible material (like tile, concrete board, or certified to UL-1618 Type 1 or as defined by local codes). Type 1 Hearth Pads typically provide protection from embers only, but won't provide thermal protection from the heat of the appliance.

Canada: Beneath the heater and extending to at least 18" (457 mm) on the fuel loading side and at least 8" (203 mm) on the sides and back.

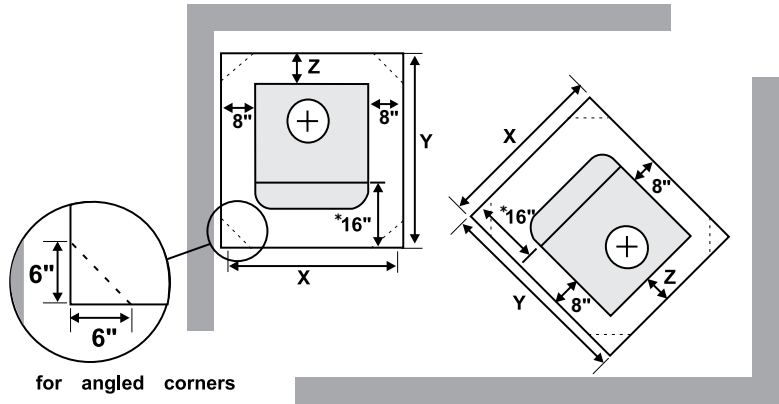
USA: Beneath the heater and extending to at least 16" (406 mm) beyond the fuel loading side and ash removal opening and at least 8" (203 mm) on the sides and back and under the chimney connector extending 2" (51 mm) beyond each side for horizontal applications.

Note: The measurements for floor protection for front are taken from fuel door opening & sides are taken from the unit heat shield. Where the appliance is installed less than 8" (203 mm) from a rear wall, the ember pad only needs to extend to the base of the wall based on the clearances noted in this manual.

Minimum Overall Width (X) of Floor Protector for all installations:

Stove F5200 45" (1143 mm)

Note: Side & Rear measurements are taken from unit heat shield.
*Front measurement is taken from fuel door opening.



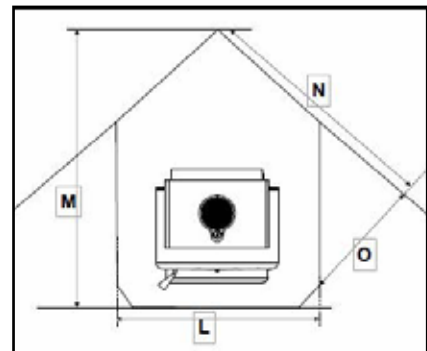
*NOTE: USA clearances shown above.

Minimum Overall Depth (Y) of Floor Protector						
Unit	Residential Close Clearance		Mobile Home Close Clearance		Alcove	
F5200	Y	Z	Y	Z	Y	Z
USA	51-1/8" (1299mm)	8" (203mm)	51-1/8" (1299mm)	8" (203mm)	51-1/8" (1299mm)	8" (203mm)
Canada	53-1/8" (1349mm)	8" (203mm)	53-1/8" (1349mm)	8" (203mm)	53-1/8" (1349mm)	8" (203mm)

The rear clearance to combustibles is less than 6" (for corner installations the rear corners may be angled to take advantage of the closer clearances).

Minimum Overall Depth (Y) of Floor Protector - Corner Hearth				
Hearth Depth				
F5200	L	M	N	O
Canada	45" (1143mm)	75-1/2" (1918mm)	64-11/16" (1643mm)	33-7/8" (860mm)
USA	45" (1143mm)	73-1/2" (1867mm)	63-11/16" (1618mm)	31-7/8" (810mm)

Reference only when hearth pad is installed to rear wall at minimum pipe clearances.
Residential Close Clearance (To be installed with required pipe components)



MOBILE HOME INSTALLATION (USA ONLY)

For USA Installations: see Outside Air Kit - Part # 846-502.

There are further requirements when installing this unit into a mobile home in the US only.

Once you have properly marked the position of your unit and the floor protection as outlined in the Residential Installation items #1 through #8, a supply of fresh air has to be supplied to your unit.

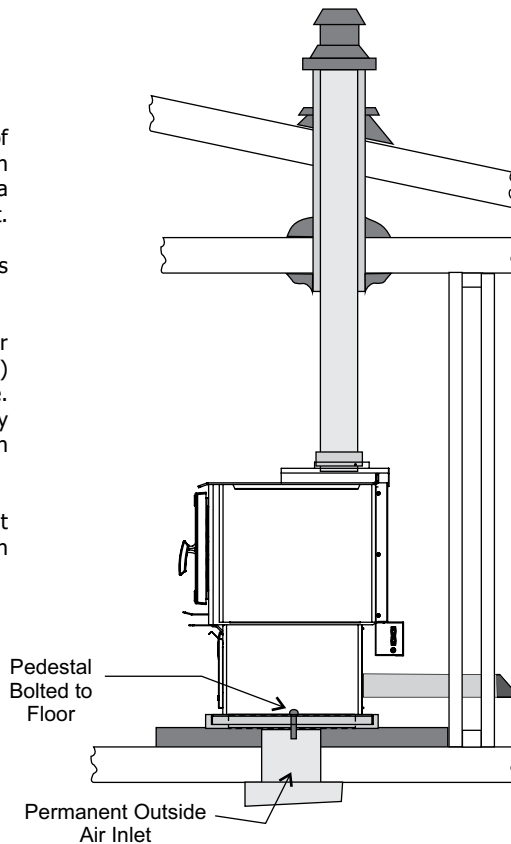
See Optional Outside Air Kit instructions in this manual.

Place your unit in position and secure it to the floor using two lag bolts 3/8" (10mm) x 3-1/2" (89mm) through the two holes inside the pedestal base. It is important to maintain the structural integrity of the Mobile Home floor, walls and roof when installing your unit.

For Mobile Home units installed in the U.S. the unit must be grounded using a #8 ground wire with approved termination and star washer.

CAUTION: At no time use unlabelled parts, or substitute parts made for another chimney system.

Install as per chimney manufacturer's installation instructions.



WARNING: Operate only with door fully closed - open feed door to feed fire only.

In addition to standard installation instructions the following requirements are mandatory for installation in a mobile home.

1. The stove must be permanently bolted to the floor of the Mobile Home using the floor screws provided.
2. The stove must have a permanent outside air source for combustion.
3. The stove must be electrically grounded to the steel chassis of the Mobile Home.
4. A listed double-wall connector chimney system, roof thimble, spark arrester and roof flashing kit suitable for use in Mobile Homes must be used.
5. If the chimney exits the Mobile Home at a location other than through the roof, and exits at a point 7ft. (2130mm) or less above the ground level on which the Mobile Home is positioned, a guard or method of enclosing the chimney shall be fitted at the point of exit for a height up to 7ft. (2130mm).
6. The chimney shall be attached directly to the room heater and shall extend at least 3 ft. (914mm) above the part of the roof through which it passes. The top of the chimney should project at least 2ft. (610mm) above the highest elevation of any part of the Mobile Home within 10 ft. (3048mm) of the chimney.
7. The chimney system shall comply with Local Requirements.
8. Any openings in a chimney guard where required must not permit the entrance of 3/4" (19mm) diameter rod.
9. **CAUTION: THE STRUCTURAL INTEGRITY OF THE MOBILE HOME ROOF, FLOOR, WALLS AND CEILING MUST BE MAINTAINED.**
10. Check any other local building code as other local codes may apply.
11. **WARNING: DO NOT INSTALL IN A SLEEPING ROOM OF A MOBILE HOME.**
12. Use silicone to create an effective vapour barrier at the location where the chimney or other component penetrates to the exterior of the structure.

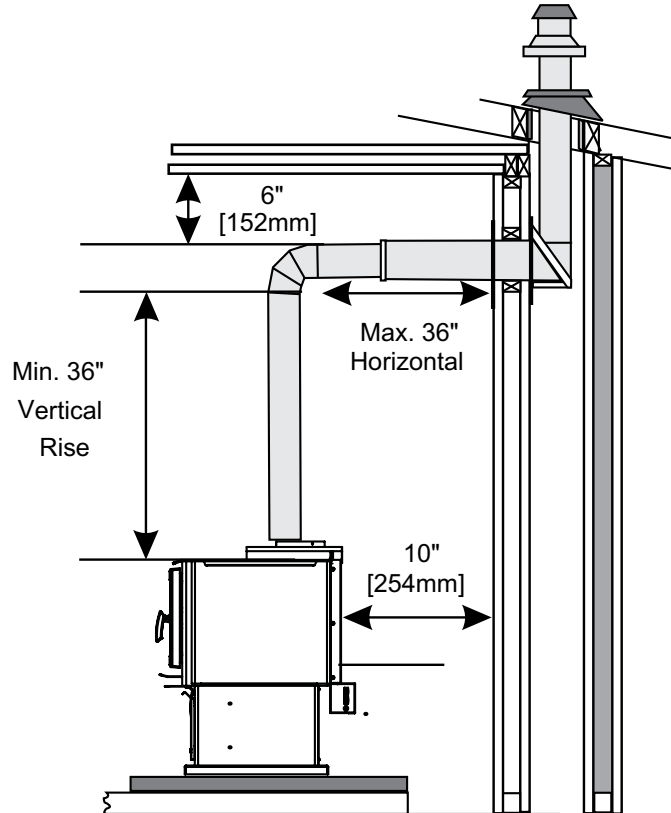
WALL EXIT CLEARANCE FACTORY BUILT CHIMNEY

When a metal prefabricated chimney is used, the manufacturer's installation instructions must be followed. You must also purchase and install the ceiling support package or wall pass-through and "T" section package, firestops (where needed), insulation shield, roof flashing, chimney cap, etc. Maintain proper clearance to the structure as recommended by the manufacturer. The chimney must be the required height above the roof or other obstructions for safety and proper draft operation.

Minimum vertical of 36" before any offset.
Horizontal Maximum of 36" with 1/4" rise per foot.

NOTE: Recommend using 2-45° instead of 90° to improve draft and performance.

NOTE: Approved with listed 8" (203 mm) double wall pipe only. Do not use single wall pipe. Chimney size cannot be reduced in cross sectional area. Chimney must remain 8" (203 mm)



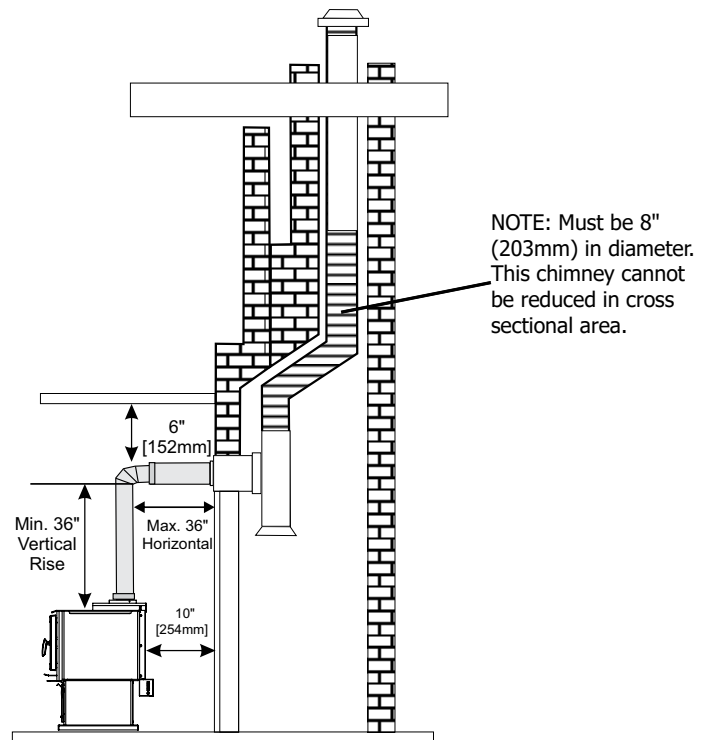
MASONRY FIREPLACE

There are listed kits available to connect a stove to a masonry fireplace. The kit is an adapter that is installed at the location of the fireplace damper. The existing damper may have to be removed to allow installation.

Minimum vertical of 36" before any offset.
Horizontal Maximum of 36" with 1/4" rise per foot.

NOTE: Recommend using 2-45° instead of 90° to improve draft and performance.

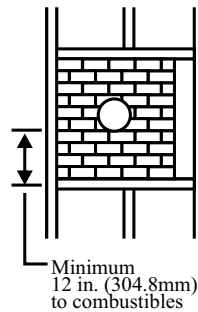
NOTE: Approved with listed double wall pipe only. Do not use single wall pipe.



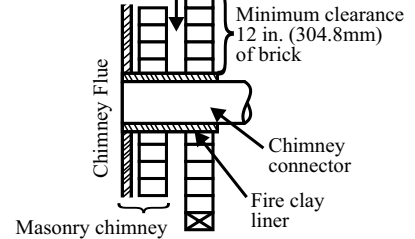
COMBUSTIBLE WALL CHIMNEY CONNECTOR PASS-THROUGHS

Method A: 12" (304.8 mm) Clearance to Combustible Wall Member:

Using a minimum thickness 3.5" (89 mm) brick and a 5/8" (15.9 mm) minimum wall thickness clay liner, construct a wall pass-through. The clay liner must conform to ASTM C315 (Standard Specification for Clay Fire Linings) or its equivalent. Keep a minimum of 12" (304.8 mm) of brick masonry between the clay liner and wall combustibles. The clay liner shall run from the brick masonry outer surface to the inner surface of the chimney flue liner but not past the inner surface. Firmly grout or cement the clay liner in place to the chimney flue liner.

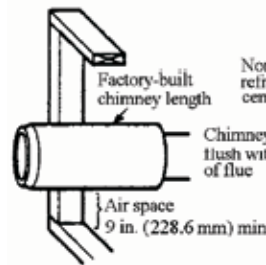


Minimum chimney clearance to brick and combustibles 2 in. (50.8mm)

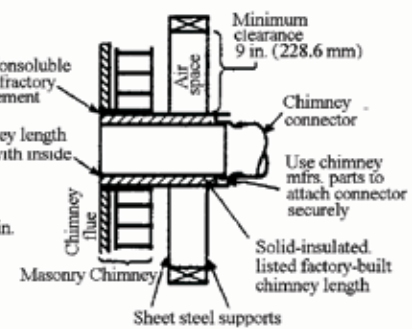


Method B: 9" (228.6 mm) Clearance to Combustible Wall Member:

Using a 8" (203.2 mm) inside diameter, listed, factory-built Solid-Pak chimney section with insulation of 1" (25.4 mm) or more, build a wall pass-through with a minimum 9" (228.6 mm) air space between the outer wall of the chimney length and wall combustibles. Use sheet metal supports fastened securely to wall surfaces on all sides, to maintain the 9" (228.6 mm) air space. When fastening supports to chimney length, do not penetrate the chimney liner (the inside wall of the Solid-Pak chimney). The inner end of the Solid-Pak chimney section shall be flush with the inside of the masonry chimney flue, and sealed with a non-water soluble refractory cement. Use this cement to also seal to the brick masonry penetration.



Minimum chimney clearance from masonry to sheet steel supports and combustibles 2 in. (50.8 mm)

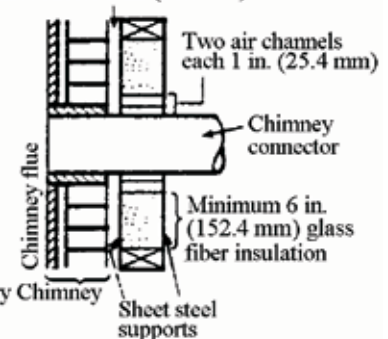


Method C: 6" (152.4 mm) Clearance to Combustible Wall Member:

Starting with a minimum 24 gage (.024" [.61 mm]) 8" (203.2 mm) metal chimney connector, and a minimum 24 gage ventilated wall thimble which has two air channels of 1" (25.4 mm) each, construct a wall pass-through. There shall be a minimum 6" (152.4 mm) separation area containing fiberglass insulation, from the outer surface of the wall thimble to wall combustibles. Support the wall thimble, and cover its opening with a 24-gage minimum sheet metal support. Maintain the 6" (152.4 mm) space. There should also be a support sized to fit and hold the metal chimney connector. See that the supports are fastened securely to wall surfaces on all sides. Make sure fasteners used to secure the metal chimney connector do not penetrate chimney flue liner.

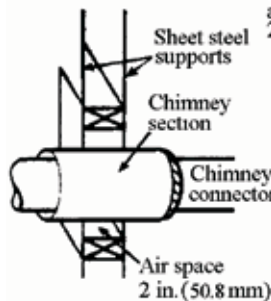


Minimum chimney clearance to sheet steel supports and combustibles 2 in. (50.8 mm)

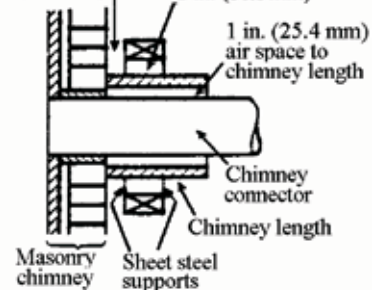


Method D: 2" (50.8 mm) Clearance to Combustible Wall Member:

Start with a solid-pak listed factory built chimney section at least 12" (304 mm) long, with insulation of 1" (25.4 mm) or more, and an inside diameter of 8" (2 inches [51 mm] larger than the 8" [203.2 mm] chimney connector). Use this as a pass-through for a minimum 24-gage single wall steel chimney connector. Keep solid-pak section concentric with and spaced 1" (25.4 mm) off the chimney connector. Cover opening with and support chimney section on both sides with 24 gage minimum sheet metal supports. See that the supports are fastened securely to wall surfaces on all sides. Make sure fasteners used to secure chimney flue liner.



Minimum chimney clearance to sheet steel supports and combustibles 2 in. (50.8 mm)

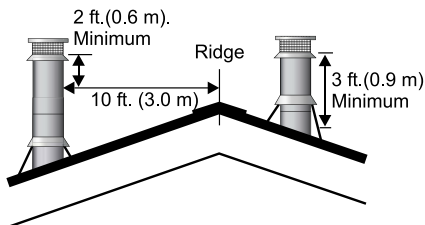


STEP-BY-STEP CHIMNEY AND CONNECTOR INSTALLATION

Note: These are a generic set of chimney installation instructions. Always follow the manufacturers own instructions explicitly. Verify the Minimum Recommended Heights for Woodstove Flue (Table 1 in the Installation section).

1. With your location already established, cut and frame the roof hole. It is recommended that no ceiling support member be cut for chimney and support box installation. If it is necessary to cut them, the members must be made structurally sound.
2. Install radiant shield and support from above.
3. Stack the insulated pipe onto your finish support to a minimum height of 3 feet above the roof penetration, or 2 feet above any point within 10 feet measured horizontally. There must be at least 3 feet of chimney above the roof level.

NOTE: Ensure each section of chimney is positively attached and secured.



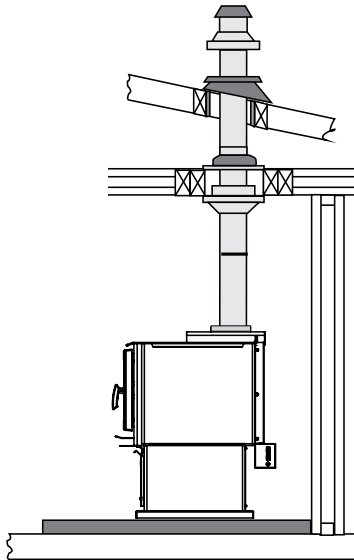
Note: Increasing the chimney height above this minimum level will sometimes help your unit to "breathe" better by allowing a greater draft to be created. This greater draft can decrease problems such as, difficult start-ups, back-smoking when door is open, and dirty glass. It might be sufficient to initially try with the minimum required height, and then if problems do arise add additional height at a later date.

4. Slide the roof flashing over your chimney and seal the flashing to the roof with roofing compound. Secure the flashing to your roof with nails or screws.
5. Place the storm collar over the flashing, sealing the joints with a silicone caulking.
6. Fasten the raincap with spark screens (if required) to the top of your chimney.

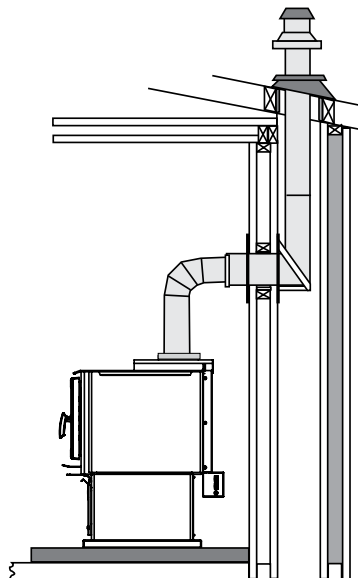
7. To complete the chimney installation, install the double wall connector pipe from the stove's flue collar to the chimney support device.
8. If you are using a horizontal connector, the chimney connector should be as high as possible while still maintaining the 18" (457mm) minimum distance from the horizontal connector to the ceiling.

NOTE: Residential Close Clearance and Alcove installations require a listed double wall connector from the stove collar to the ceiling level.

The Diagrams below illustrate one way to install your unit into a standard ceiling or with a horizontal connector. Check with your dealer or installer for information on other options available to you.



Standard Ceiling Installation



Horizontal Installation

RECOMMENDED HEIGHTS FOR WOODSTOVE FLUE

Simple rules on draft (refer to Table 1).

- 1) At sea level minimum height is 12' straight.
- 2) Add the following vertical height to compensate for:
 - 45 deg. elbow = 1 ft.
 - 90 deg. elbow = 2 ft.
 - "T" = 3 ft.
 - Each foot of horizontal run = 2 ft.

3) Add 4% overall for each 1000' above sea level.

- Example: a)**
- 1-1/2 ft. of horizontal run = 3 ft.
 - one "T" = 3 ft.
 - Total Addition (at sea level) = 6 ft.
- Example: b)**
- One 90 deg. elbow = 2 ft.
 - 2 ft. of horizontal run = 4 ft.
 - one "T" = 3 ft.
 - Total Addition (at sea level) = 9 ft.

Recommended Flue Height

Elevation	Example a)	Example b)
0'	18'	21'
1000'	18.72'	21.84'
2000'	19.44'	22.68'
5000'	21.60'	25.20'
8000'	23.76'	27.72'

MINIMUM RECOMMENDED FLUE HEIGHTS IN FEET (Measured from the top of the unit)				
ELEVATION (FT) ABOVE SEA LEVEL	NUMBER OF ELBOWS For listed double wall pipe.			
	0	2 x 15°	2 x 30°	2 x 45°
0-1000	12.0	13.0	15.0	16.0
1000-2000	12.5	13.5	15.5	16.5
2000-3000	13.0	14.0	16.0	17.0
3000-4000	13.5	14.5	17.0	18.0
4000-5000	14.0	15.0	17.5	18.5
5000-6000	14.5	15.5	18.0	19.0
6000-7000	15.0	16.0	18.5	20.0
7000-8000	15.5	16.5	19.0	20.5
8000-9000	16.0	17.0	20.0	21.0
9000-10000	16.5	17.5	20.5	22.0

NOTE: No more than one offsets (two elbows) allowed. Two 45° elbows equal one 90° elbow.

Table 1