

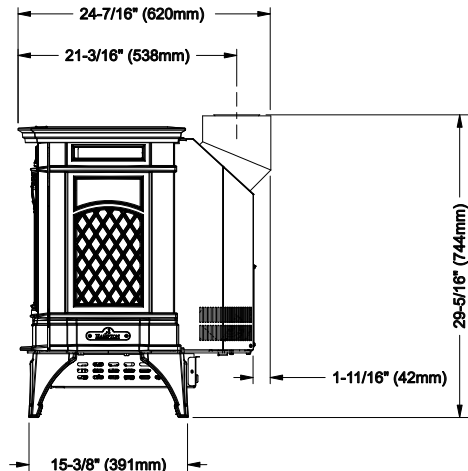
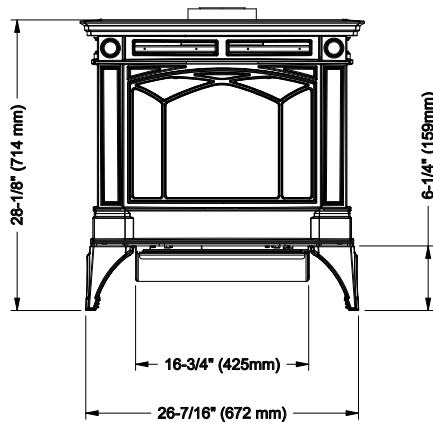
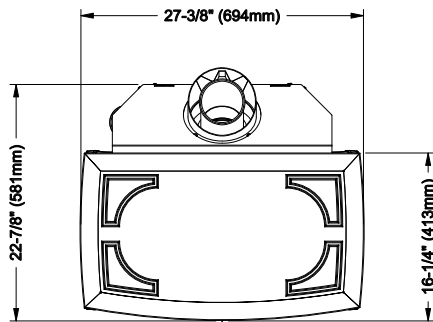
## H35 Direct Vent Gas Stove

Model	H35-NG10	H35-LP10
Fuel Type	Natural Gas	Propane
Minimum Supply Pressure	5.0" W.C. (1.25 kPa)	12.0" W.C. (3.00 kPa)
Manifold Pressure - High	3.8" W.C. (0.94 kPa)	11" W.C. (2.74 kPa)
Manifold Pressure - Low	1.1" W.C. (0.27 kPa)	2.9" W.C. (0.72 kPa)
Orifice Size	#33 DMS	#51 DMS
Minimum Input	18,000 BTU/h (5.28 kW)	17,500 BTU/h (5.13 kW)
Maximum Input	36,000 BTU/h (10.55 kW)	34,000 BTU/h (9.97 kW)
Orifice Size (De-rated BTU Conversion)	#37 DMS	#52 DMS
Minimum Input (De-rated BTU Conversion)	14,300 BTU/h (4.19 kW)	15,000 BTU/h (4.39 kW)
Maximum Input (De-rated BTU Conversion)	30,000 BTU/h (8.79 kW)	28,500 BTU/h (8.35 kW)
Vent Sizing	4" Inner / 6-5/8" Outer	4" Inner / 6-5/8" Outer



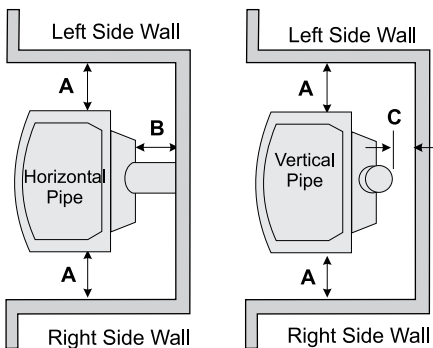
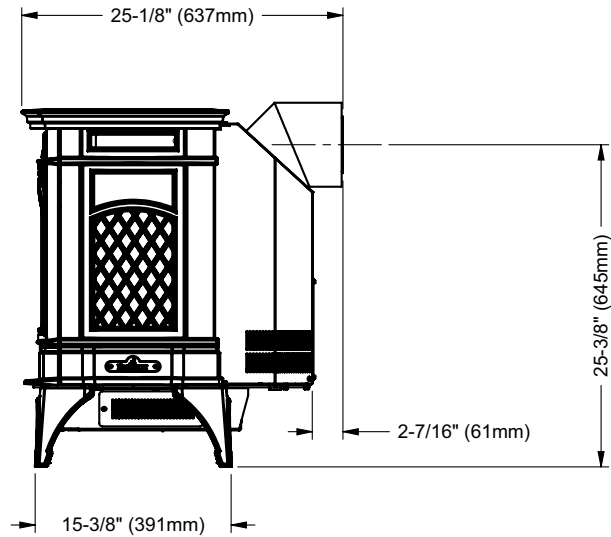
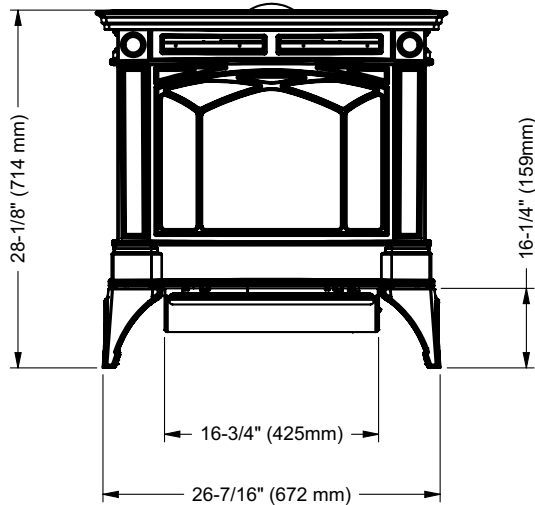
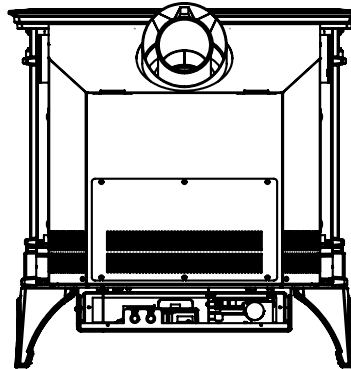
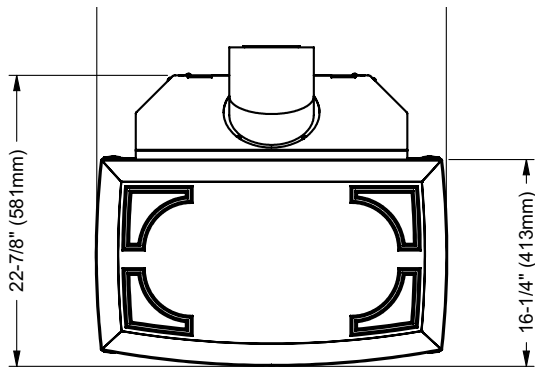
Approved Venting Systems	
Flex Vent Systems:	FPI AstroCap™ Flex Vent
Rigid Pipe Vent Systems:	Simpson Direct Vent Pro® American Metal Products® Amerivent Direct Security Secure Vent® Selkirk Direct-Temp™ Metal-Fab® Sure Seal

### UNIT DIMENSIONS WITH VERTICAL VENT COLLAR



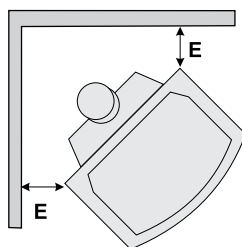
H35 Gas Stove

## UNIT DIMENSIONS WITH HORIZONTAL VENT COLLAR



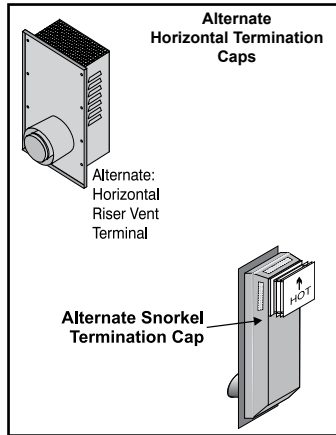
### H35-NG 10 & H35-LP 10 Clearances

- A Side Wall to Unit 6-1/2" / 165 mm
- B Back Wall to Unit 6" / 152 mm  
(when rear vented)
- C Vertical Vent Pipe to Back Wall 2" / 50 mm
- E Unit Corner to Wall 2" / 50 mm
- Unit Top to Alcove Ceiling 36" / 914 mm



Minimum ceiling height is 36" / 914 mm from top of unit.

## RIGID PIPE VENTING SYSTEMS *Horizontal or Vertical Terminations*



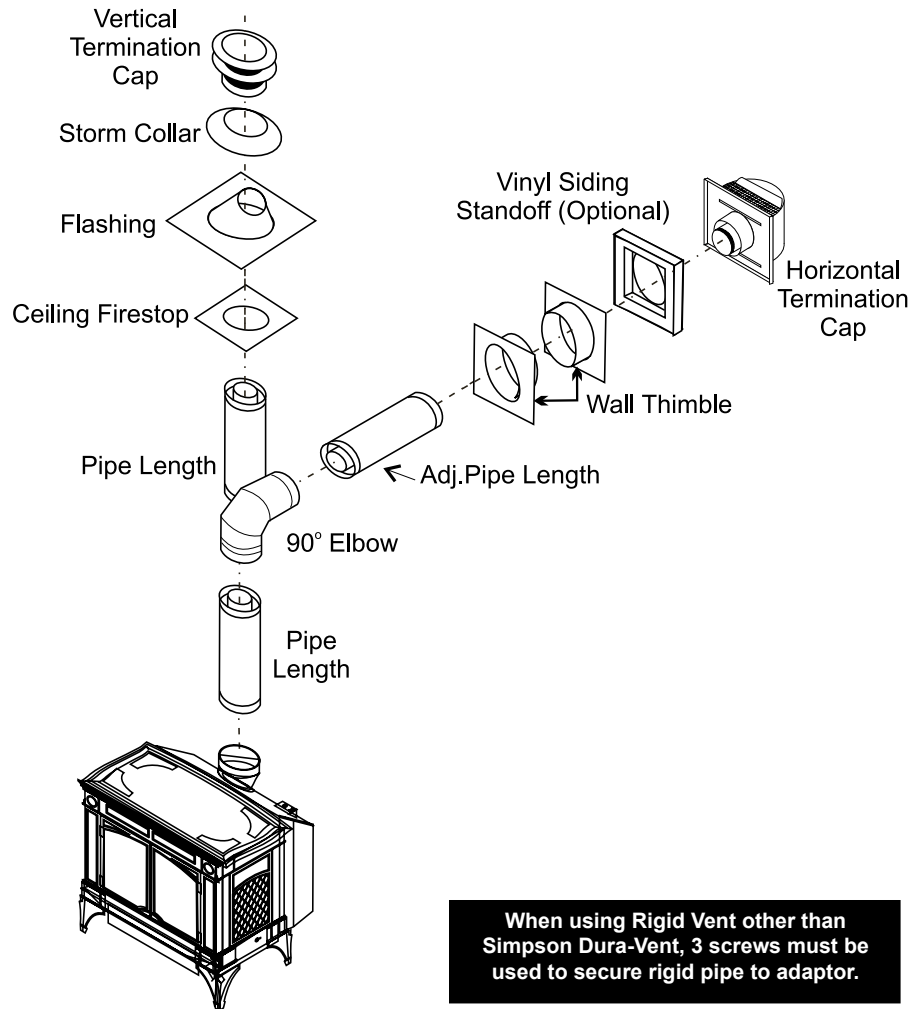
Horizontal Terminations for All Venting Systems

The shaded areas in the diagram below show all allowable combinations of vertical runs with horizontal terminations. Maximum one 90° elbow (two 45° elbows equal one 90° elbow). All approved caps listed on page 12 - may be used.

Propane and Natural Gas:  
Residential, Manufactured and Mobile Homes Installations

The venting arrangements diagrammed below, have a min. of 75% (flue loss) efficiency with Fan Off, as required for manufactured homes. (Actual efficiency may be as high as 85%)

*May be installed in Manufactured (Mobile) Homes after first sale.*



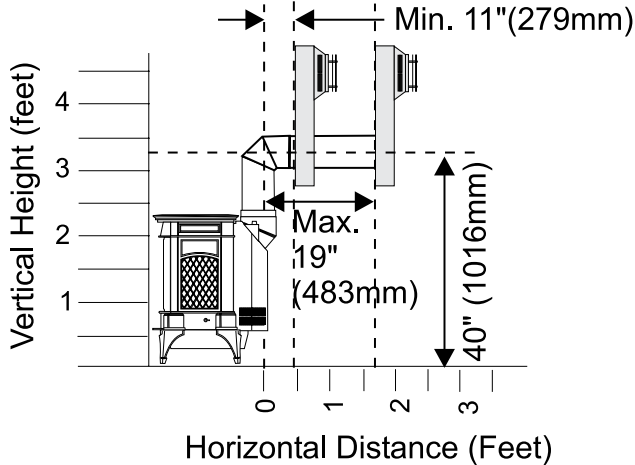
When using Rigid Vent other than Simpson Dura-Vent, 3 screws must be used to secure rigid pipe to adaptor.

The FPI AstroCap™ and FPI Riser Vent terminal are certified for installations using FPI venting systems as well as Simpson Dura-Vent® Direct Vent Pro, American Metal Products Ameri Vent Direct Vent, Security Secure Vent®, Selkirk Direct-Temp. AstroCap™ is a proprietary trademark of FPI Fireplace Products International Ltd. Dura-Vent® and Direct Vent Pro are registered and/or proprietary trademarks of Simpson Dura-Vent Co. Inc.

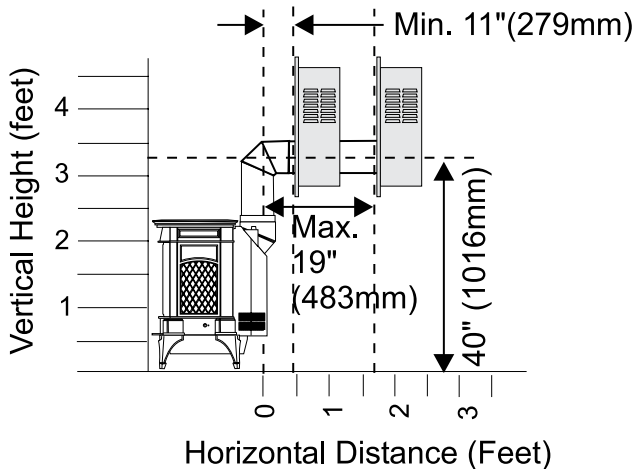
## H35 Gas Stove

### Hampton Direct Vent System Minimum Horizontal Installation

The two diagrams show all allowable combinations of straight horizontal termination using Rigid Pipe. Restrictor position "A".



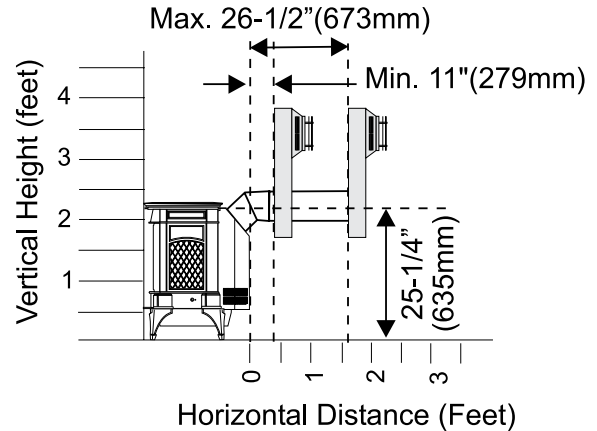
Dura-Vent Snorkel Termination



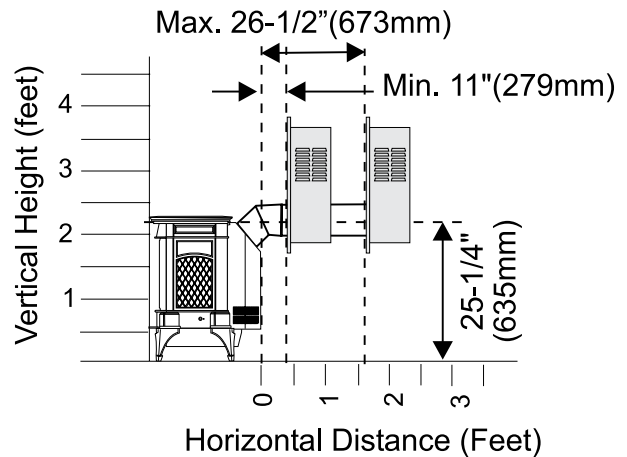
Riser Vent Termination

### Hampton Direct Vent System Minimum Horizontal Installation Straight Horizontal Termination at a De-Rated BTU

The diagrams show all allowable combinations of straight horizontal termination using Rigid Pipe. Restrictor position "A". Refer to the Manual for de-rating instructions.



Dura-Vent Snorkel Termination



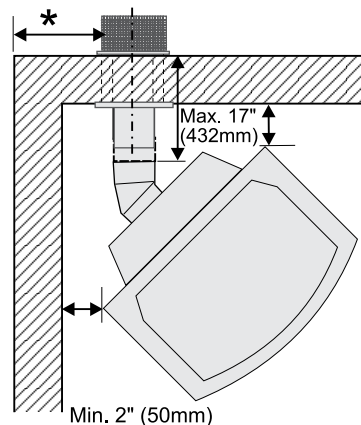
Riser Vent Termination

The diagrams show all allowable combinations of straight horizontal termination using Rigid Pipe. Restrictor position "A". Refer to the "Conversion Kit to Lower BTU Rating" section for de-rating instructions.

**Note:** If venting this appliance as per the diagrams shown in the two diagrams, the unit "must" be derated using part #740-950 for NG and part #740-952 for LP. Refer to the conversion kit to lower BTU rating section for derating instructions.

Also, only a snorkel or FPI Riser vent may be used as shown in the noted diagrams. No other termination cap is permitted.

**Dangerous operating conditions will occur if these instructions are not adhered to.**



\*If this is an outside corner, the minimum distance between the vent and the outside corner is 6" (15cm). See "F" on the diagram in the "Exterior Vent Terminal Locations" section.

De-Rated BTU Corner Install

## Hampton Direct Vent System Horizontal Terminations Only

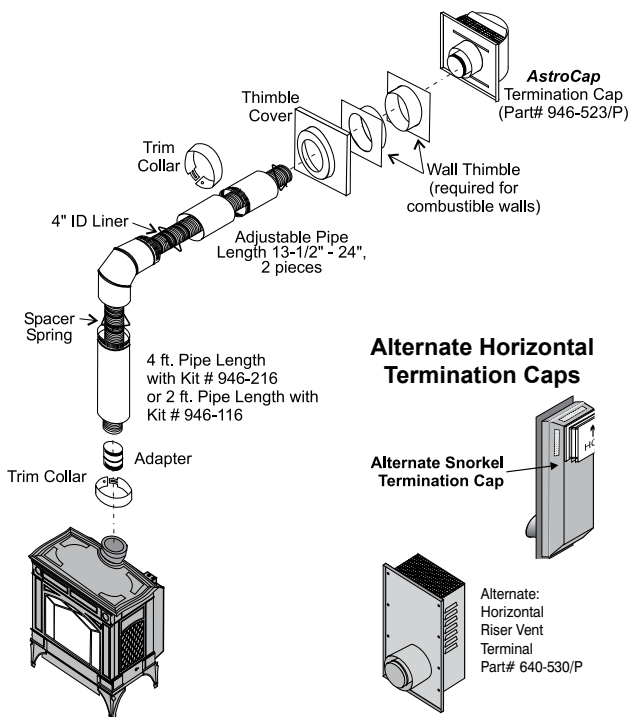
These venting systems, in combination with the **H35** Direct Vent Gas Fireplace, have been tested and listed as a direct vent heater system by Warnock Hersey. The location of the termination cap must conform to the requirements in the Vent Terminal Locations diagram.

**FPI Direct Vent (Flex) System Termination Kits include all the parts needed to install the H35 using a flexible vent.**

FPI Kit #	Length	Contains:
#946_116	2 Feet	<ol style="list-style-type: none"> <li>6-5/8" Rigid Pipe Section (Kit length)</li> <li>4" flexible liner (Kit length)</li> <li>spring spacers (4)</li> <li>90° Elbow</li> <li>Adjustable pipe section 13-1/2" to 24"</li> <li>Thimble Cover (1)</li> <li>Thimble (1)</li> <li>Adapter</li> <li><b>AstroCap</b> Termination Cap (1)</li> <li>Trim Collar (2)</li> <li>Tube of Mill Pac (1)</li> <li>S.S. screws #8 x 1-1/2", self-tap, (12)</li> <li>Blk. screws #8 x 1-1/2", self-tap, (14)</li> <li>Blk. screws #8 x 1-1/2" drill point, (4)</li> <li>S.S. screws #8 x 1-1/2" drill point, (4)</li> <li>Wood screws #8 x 1" (8)</li> <li>Vinyl Siding Standoff (optional #946-206)</li> </ol>
#946_216	4 Feet	<ol style="list-style-type: none"> <li>Trim Collar (2)</li> <li>Tube of Mill Pac (1)</li> <li>S.S. screws #8 x 1-1/2", self-tap, (12)</li> <li>Blk. screws #8 x 1-1/2", self-tap, (14)</li> <li>Blk. screws #8 x 1-1/2" drill point, (4)</li> <li>S.S. screws #8 x 1-1/2" drill point, (4)</li> <li>Wood screws #8 x 1" (8)</li> <li>Vinyl Siding Standoff (optional #946-206)</li> </ol>

**Notes:**

- Liner sections should be continuous without any joints or seams.
- Only Flex pipe purchased from Hampton may be used for Flex installations.
- Horizontal sections must be supported every 3 feet.



## Hampton Direct Vent System Minimum Horizontal Installation

These venting systems, in combination with the **H35** Direct Vent Gas Fireplace, have been tested and listed as a direct vent heater system by Warnock Hersey. The location of the termination cap must conform to the requirements in the Vent Terminal Locations diagram.

**FPI Direct Vent (Flex) System Termination Kit includes all the parts needed to install the H35 using a minimum horizontal vent run.**

FPI Kit #	Length	Contains:
#946_544	1.5 Feet	<ol style="list-style-type: none"> <li>6-5/8" Rigid Pipe Section (Kit length)</li> <li>4" Aluminum Vent (Kit length)</li> <li>Thimble Cover (1)</li> <li>Thimble (1)</li> <li>Adapter</li> <li>Termination cap (1)</li> <li>Trim Collar (2)</li> <li>Tube of Mill Pac (1)</li> <li>S.S. Screws #8 x 1-1/2", self-tap, (12)</li> <li>Blk. Screws #8 x 1-1/2", self-tap, (14)</li> <li>Blk. Screws #8 x 1-1/2" drill point, (4)</li> <li>S.S. screws #8 x 1-1/2" drill point, (4)</li> <li>Wood Screws #8 x 1" (8)</li> <li>Vinyl Siding Standoff (optional #946-205)</li> </ol>

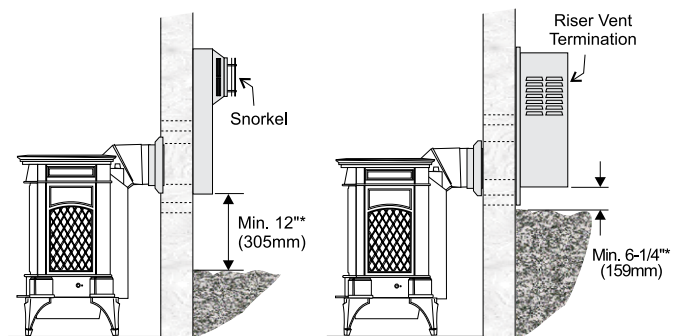
**Notes:**

- Liner sections should be continuous without any joints or seams.
- Only Flex pipe purchased from Hampton may be used for Flex installations.
- Horizontal sections must be supported every 3 feet.

## Snorkel Terminations

**Snorkel Terminations:**

For installations requiring a vertical rise on the exterior of the building, 14-inch and 36-inch tall Snorkel Terminations and the Riser Vent are available. Follow the same installation procedures as used for standard Horizontal Termination. NEVER install the snorkel upside down.



**Below Grade Snorkel Installation**

If the Snorkel Termination must be installed below grade, i.e. basement application, proper drainage must be provided to prevent water from entering the Snorkel Termination. Refer to Rigid Pipe Installation instructions for details. Do not attempt to enclose the Snorkel within the wall, or any other type of enclosure.

## VENTING ARRANGEMENTS

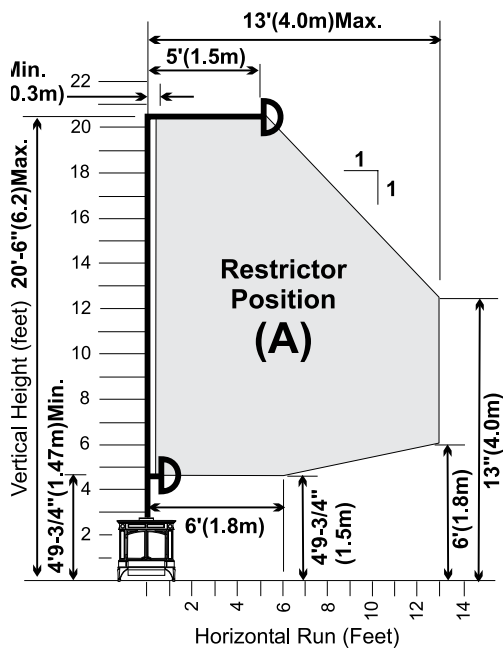
### Horizontal Terminations for All Venting Systems

The shaded areas in the diagram below show all allowable combinations of vertical runs with horizontal terminations. Maximum one 90° elbow (two 45° elbows equal one 90° elbow). All approved caps listed on page 12 - may be used.

Propane and Natural Gas:  
Residential, Manufactured and Mobile Homes Installations

The venting arrangements diagrammed below, have a min. of 75% (flue loss) efficiency with Fan Off, as required for manufactured homes. (Actual efficiency may be as high as 85%)

*May be installed in Manufactured (Mobile) Homes after first sale.*

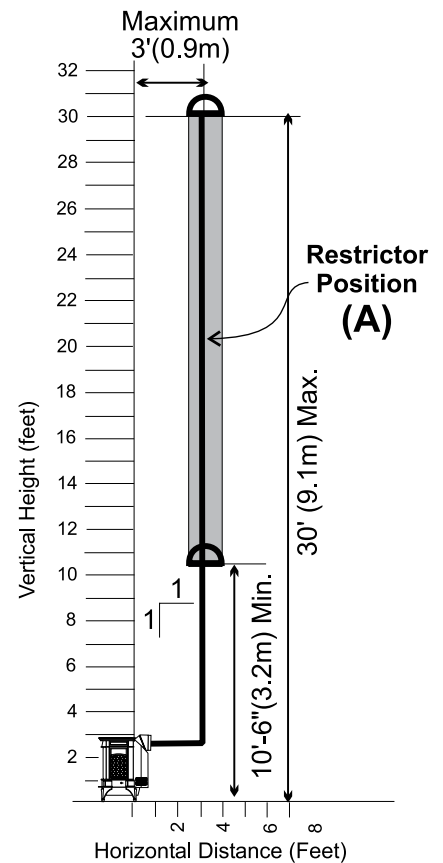
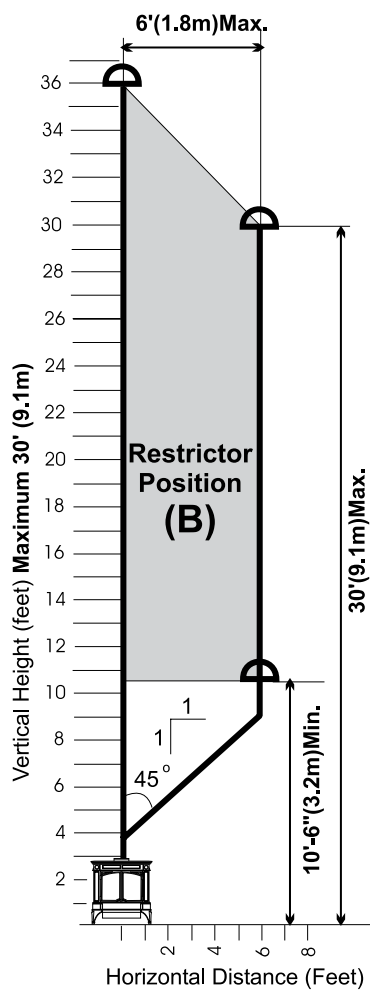


### Vertical Terminations Systems for Residential Manufactured and Mobile Homes

The shaded area in the diagram below shows all allowable combinations of straight vertical and offset to vertical runs with vertical terminations. Maximum two 45° elbows.

If the vent is ENCLOSED in a chase (min. size 9" x 9") maintain a 1-1/4" clearance to combustibles. *May be installed in Manufactured (Mobile) Homes after first sale.*

### Offset to Vertical Terminations



**NOTE: See "Vent Restrictor Position" section for installation instructions for the Vent Restrictor Position.**

## VERTICAL TERMINATION WITH CO-LINEAR FLEX SYSTEM

**THE APPLIANCE MUST NOT BE CONNECTED TO A CHIMNEY FLUE SERVING A SEPARATE SOLID FUEL BURNING APPLIANCE.**

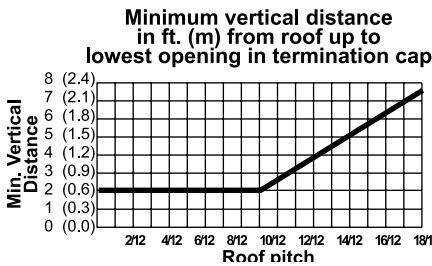
Masonry chimneys may take various contours which the flexible liner will accommodate. However, **keep the flexible liner as straight as possible**, avoid unnecessary bending.

The Air Intake pipe must be attached to the inlet air collar of the termination cap.

This appliance is designed to be attached to two 3" (76mm) co-linear aluminium flex running the full length of the chimney. See the Venting Arrangements chart below for minimum and maximum flue lengths. See chart below for minimum distances from roof. Periodically check that the vent is unrestricted.

**Required Parts:**

Part #	Description
946-529	Co-linear DV Vertical Termination Cap
948-305	3" Flex - 35 ft.
946-563	Co-Axial to Co-Linear Adaptor Kit which contains the following: Co-linear Flex Adaptor Outer Pipe Inner Pipe Adaptor



Venting Arrangements - Vertical Terminations with Co-linear Flex System for both Residential & Manufactured Homes into Masonry Fireplaces

The shaded area in the diagram shows the allowable vertical terminations. Note: Must remove 4 screws from stove collar and rotate 180° to have collar facing straight back. Secure into place with 4 screws.

