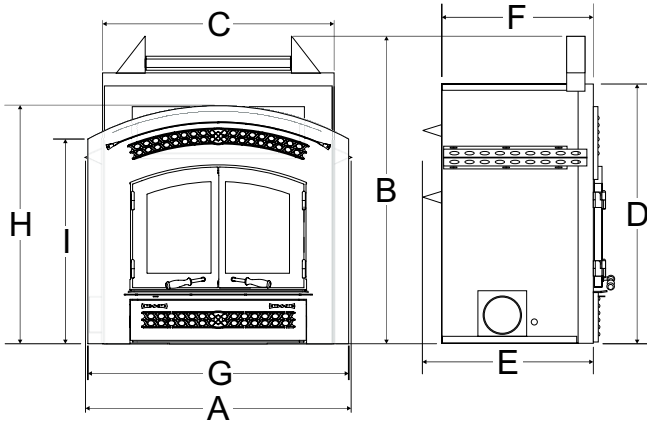


## EX90 Wood Fireplace

Model	EX90
Emissions	3.72 g/hr
Efficiency (EPA)	63%
BTU/h (EPA)	11,720 (Low) to 42,400 (High)
Flue Size	8" (203mm) Diameter
Log Size	20" (508mm)
Shipping Weight	612 lbs. (278 kg)
Stripped Weight	570 lbs (259 kg)

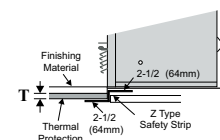
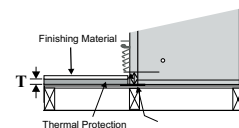
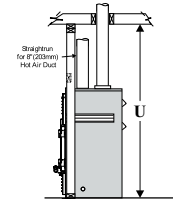
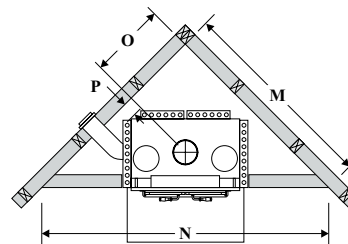
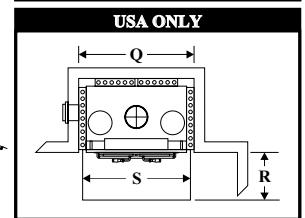
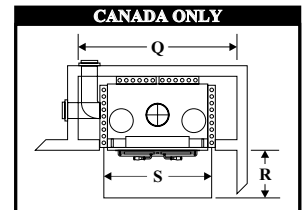
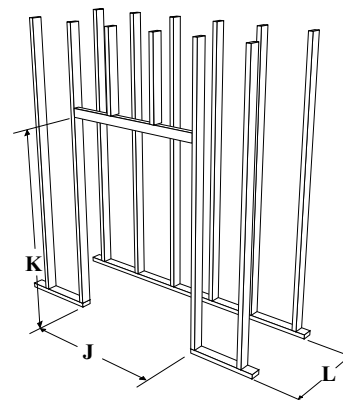


Unit Dimensions	Description	EX90
A	Unit Width w/ standoffs	43-5/8" (1108mm)
B	Unit Height w/ standoffs	50-1/2" (1283mm)
C	Unit Width	38" (965mm)
D	Unit Height	42-5/8" (1067mm)
E	Unit Depth w/ standoffs	28" (711mm)
F	Unit Depth	25" (635mm)
G	Faceplate Width	43" (1092mm)
H	Faceplate Height to center	38-3/4" (984mm)
I	Faceplate Height to corner	33-3/4" (857mm)

Framing Dimensions	Description	EX90	
		USA Only	Canada Only
J	Framing Width	44" (1118mm)	44" (1118mm)
K	Framing Height	50-3/4" (1289mm)	50-3/4" (1289mm)
L	Framing Depth	28" (710mm)	28" (710mm)
M	Corner Wall Length	68" (1729mm)	81-1/2" (2072mm)
N	Corner Facing Wall Width	96-1/4" (2445mm)	115-3/8" (2930mm)
O	Inside Corner to Center Vent	24-1/2" (624mm)	31-1/4" (795mm)
P	Unit Corner Clearance	3" (76mm)	9-3/4" (248mm)
Q	Inside Chase Framing Width	44" (1118mm)	60" (1524mm)
R	Hearth** Depth	18" (457mm)	18" (457mm)
S	Hearth** Width	40" (1016mm)	40" (1016mm)
T	Thermal Protection Thickness	1/2" (12.7mm)	1/2" (12.7mm)
U	Combustible Ceiling Height	84" (2134mm)	84" (2134mm)

\*\* Required Non-combustible Hearth with thermal protection - Minimum "K" Factor of 0.84 (CAN) or 0.84 (US)

**NOTE:** Hearth requires thermal protection in front of the fireplace and must have at least 1/2" (13mm) Millboard under the finishing material with minimum "k" factor of 0.84 (in Canada), 0.84 (in US). If the bottom of the unit is raised 4" (102mm) above the hearth, the thermal floor protection is not required.

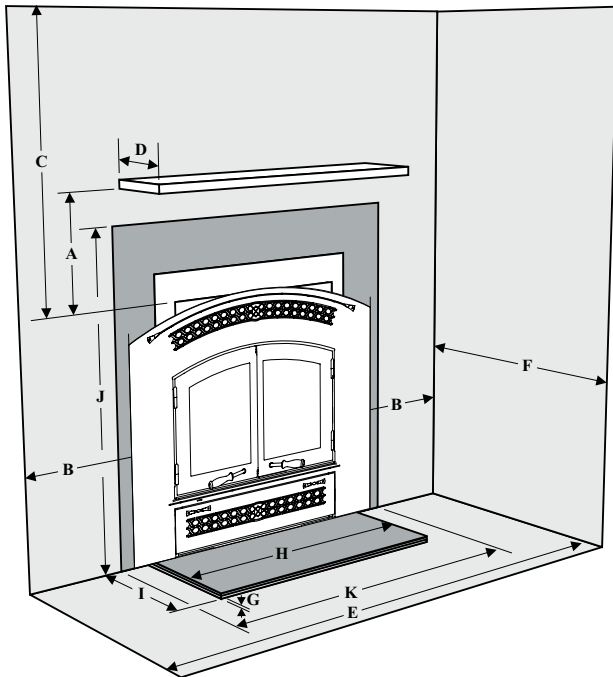


**NOTE:** Safety strip is required when the fireplace rests on a combustible surface, and should extend 2" in front and on the sides of the fireplace. When using a wooden support to raise the fireplace. A "Z" type safety strip, not supplied, must be fabricated (Use 20 gauge galvanized sheet steel).

## Clearances Requirements

No combustible materials on the face of unit.

Required Hearth must be non-combustible and will require thermal protection. Minimum thermal protection must have a "k" factor of 0.84 (in Canada), 0.84 (in US).



Clearance:	Dimension		Measured From:
	USA Only	Canada Only	
<b>A: Mantel Height</b>	18" (457mm)	18" (457mm)	Minimum
<b>B: Sidewall</b>	18" (457mm)	24" (610mm)	Side of fireplace opening
<b>C: Ceiling</b>	46" (1168mm)	46" (1168mm)	Top of fireplace opening
<b>D: Mantel Depth</b>	10" (254mm)	10" (254mm)	Maximum
<b>E: Alcove Width</b>	N/A	N/A	Approved for Single Sidewall only
<b>F: Alcove Depth</b>	N/A	N/A	Approved for Single Sidewall only
<b>G: Thermal Protection Height</b>	1/2" (13mm)	1/2" (13mm)	Bottom to top of Protection.
<b>H: Hearth Width</b>	40" (1016mm)	40" (1016mm)	Edge to Edge of Hearth
<b>I: Hearth Depth</b>	18" (457mm)	18" (457mm)	Front of Hearth to Wall
<b>J: Facing Height**</b>	52-1/2" (1334mm)	51-1/2" (1308mm)	Floor to Facing Height**
<b>K: Facing Width**</b>	44" (1118mm)	60" (1524mm)	Edge to Edge of Facing**

\*\*Required non-combustible facing.

Combustibles may not extend to unit face.

Do not notch wallboard around standoffs.

The EX90 may be placed on or near construction materials. The combustion air kit, fire stop spacer and roof flashings (not chase flashings) may be placed directly on or against normal construction materials. The chimney requires a minimum 2" (51mm) clearance. A combustible mantle (to a depth of 10", 254mm) may be installed no closer than 18" (457mm) above the warm air vent or 55-1/2" (1410mm) from bottom of unit.

The chimney must be enclosed when installed in or passing through a living area where combustible material or people may come in contact with it. This is important to prevent possible personal injury or fire hazard.

For any further information, please call your dealer. Special restrictions apply to the front and facing of the fireplace and nearby walls.

**WARNING:** If insulation is used, do not place the unit against it. Insulation or vapor barriers, if used, must be secured to assure insulation and vapor barriers remain in place and do not affect the required air spaces.

**WARNING:** Do not pack or fill required air spaces with insulation or other material. No material of any kind is allowed in these areas.

### NOTES:

1. Do not insulate the chase cavity with blown or fill type insulation materials.
2. Local codes may not require a firestop at the ceiling level for outside chase installations; however, it is recommended for safety and the reduction of heat loss.
3. We recommend that you insulate at least the first floor of the chase to prevent heat loss.
4. Some local codes require 1 hour fire rating on one or all sides of fire chases. Check with your local authorities.

### NOTES:

1. Minimum Chase sizes must be met according to the framing directions (page 149.. **US Installations** will require a minimum ventilation with one 30 sq. in. (194 sq. cm.) opening grill (air is drawn from within the home not outside).
2. Mantel min. Height of 18" (457mm) from top of louver opening to underneath mantel or 55 1/2" (1410mm) from bottom of unit.
3. Minimum non-combustible facing must be installed according to the table on this page. Finishing material to be installed on top of this.
4. Framing is slightly larger than unit dimensions to allow for easier installation (50 3/4", 1289mm h x 44", 1118mm w)
5. Must maintain a min. Of 46" (1168mm) from top of louver opening to finished ceiling.
6. Sidewall clearances, as detailed on this page, must be maintained according to your location.
7. Hearth must be a min. 40" (1016mm) wide x 18" (457mm) deep and 1/2" (127mm) thick.

## Finishing The Fireplace

### Completing the Facing

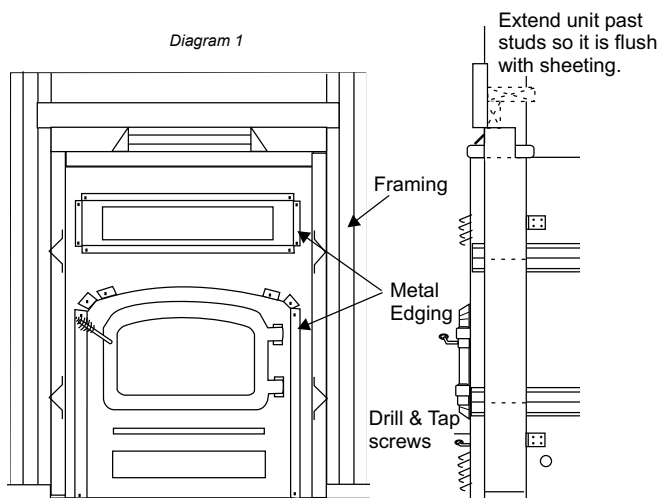
Facing materials must be thin veneer (non-self supporting facades) or self supporting facades. If you are installing a thin veneer facade the Regency Masonry Retainer Kit is recommended. All facades must be **Non-Combustible** such as brick, rock or ceramic tile. See Clearance to Combustible diagram to determine the extent to which you must use non-combustible materials. Gypsum wallboard is not non-combustible.

### Non-Self Supporting, Thin Veneer Facades Installation

1. Install heavy expanded metal only on the top half of the fireplace using a drill to pre-drill holes and install using tap screws at locations as indicated on kit.
2. Install metal edging of kit on each side of the doors making sure the edges fit nicely with the arch edge above.
3. Cover the rest of the area with wire mesh or metal lath, overlapping around the heavy expanded metal. Make sure nails or staples used for fastening mesh penetrate studs at least 1 in.
4. Mortar must be "thin set" or "thin bed" type inherently polymer modified. If not modified, you should add a synthetic latex additive. Mix to a firm, moist consistency. Using a plasterer's or mason's trowel apply mortar 1/2 in. to 3/4 in. thick to prepared surface area. Do not spread more than a workable area so that the mortar will not set up before stone or brick is applied.

**Note:** Remove the fireplace doors and louvers and store them in a safe place until all the masonry work is finished. Acid from the cleaning operation will permanently damage gold plating.

5. If additional mortar is required, use a grout bag to fill in joints. Care must be taken to avoid smearing on the surface of stone or brick. Accidental smears should be removed only after mortar has become crumbly, using a whisk broom or dry bristle brush. Do not use a wet brush or a wire brush.
6. When mortar joints have become firm (thumb-print dry) they should be pointed up with a wood stick or metal jointing tool.



**Do not restrict air flow through the inlet and outlet louvers of the fireplace. This will cause overheating and possible ignition of surrounding materials.**