

BONDI

BY REGENCY®

WOOD HEATERS



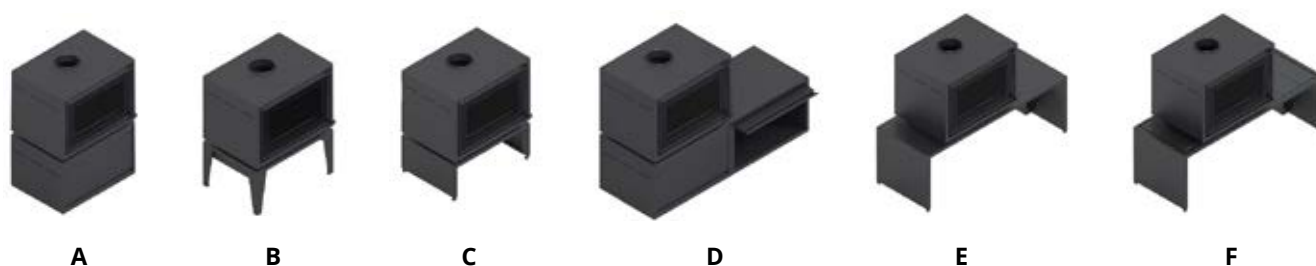


THE BONDI, YOUR WAY

The Bondi Wood Heater is designed to bring warmth, style, and flexibility to modern living spaces. Available in two sizes — including a striking XL option for expansive interiors — it offers the freedom to choose the perfect scale for any room. The elegant stacker configuration features concealed storage and a sliding door for a streamlined, contemporary appearance. For those looking to make a bold design statement, the wide bench option provides a dramatic focal point while enhancing the visual presence of the fire. The Bondi can also be paired with a custom base, allowing your customers to tailor the look to their unique space.

Optional fan integration in the stacker and bench configurations enhances heat circulation, while a clean, fan-free installation remains available for those seeking simplicity. With flexible sizing, thoughtful design options, and a stunning flame view, the Bondi creates an inviting centerpiece for any home.

BASE OPTIONS



BONDI BASES		DESCRIPTION	BONDI STANDARD	BONDI XL
A	Stacker base (includes fan)	Wood stacker base for Bondi Metallic Black includes: sliding door and 2 speed fan	✓	✓
B	Legs (no fan)	Legs for Bondi Metallic Black - includes levelling bolts, no fan option	✓	✓
C	Low base (no fan)	Low base for Bondi Metallic Black - no fan option	✓	✓
D	Bondi side stacker	Wood stacker base - side Metallic Black includes: sliding door	✓	✓
E	Bench - Left Position (includes fan)	Long bench base for Bondi, fixed position on left Metallic Black includes: 2 speed fan	✓	✓
F	Modular Bench - 5 Positions (includes fan)	Long bench base for Bondi with 5 positions Metallic Black includes: 2 speed fan	•	✓

• Adding More to the Fire Soon

✓ Available

REGENCY BONDI STANDARD

Large Wood Heater



Bondi Standard shown with wide bench.

STANDARD FEATURES

- Large black frit glass viewing area for contemporary styling
- Power output: 10 kW
- Emissions: 0.5 g/kg
- Heats up to 250 sq. mtr*
- Cast Iron lined steel firebox
- 8mm Steel Top Baffle
- 15 year limited warranty
- 450mm log length
- Automated Airwash system
- Overnight burn**
- **Stacker base** including sliding front door and 2 speed thermostatically controlled fan
- **Side stacker** including sliding front door – can be used either left or right side
- **Wide bench** including 2 speed thermostatically controlled fan
- **Low base** without fan
- **Leg base** without fan

* Performance may vary based on home floor plan, layout, insulation, and wood quality and/or moisture content

** 6 - 8 hour standard Burn times vary based on fuel and loading technique



Bondi Standard shown with stacker base and side stacker.

REGENCY BONDI XL

Extra Large Wood Heater



Bondi XL shown with stacker base and side stacker.

STANDARD FEATURES

- Large black frit glass viewing area for contemporary styling
- Power output: 12.2 kW
- Emissions: 0.8 g/kg
- Heats up to 300 sq. mtr*
- Cast Iron lined steel firebox
- 8mm Steel Top Baffle
- 15 year limited warranty
- 550mm log length
- Automated Airwash system
- Overnight burn**
- **Stacker base** including sliding front door and 2 speed thermostatically controlled fan
- **Side stacker** including sliding front door – can be used either left or right side
- **Wide bench** including 2 speed thermostatically controlled fan
- **Low base** without fan
- **Leg base** without fan
- **Wide Modular bench** (5 positions) including 2 speed thermostatically controlled fan

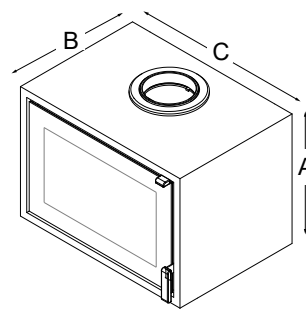
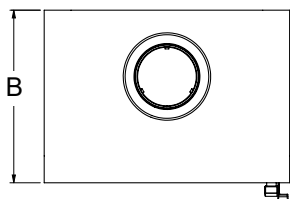
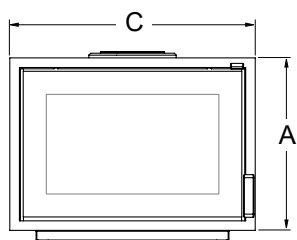
* Performance may vary based on home floor plan, layout, insulation, and wood quality and/or moisture content

** 6 - 8 hour standard Burn times vary based on fuel and loading technique



Bondi XL shown with stacker base.

Measurements



BONDI STANDARD DIMENSIONS			
	A - HEIGHT	B - DEPTH	C - WIDTH
BODY	495 mm	476 mm	660 mm
BODY ON STACKER	924 mm	476 mm	660 mm
BODY ON BENCH	947 mm	476 mm	1280 mm
BODY ON LEGS	825 mm	476 mm	660 mm
BODY ON LOW BASE	767 mm	476 mm	660 mm

BONDI XL DIMENSIONS			
	A - HEIGHT	B - DEPTH	C - WIDTH
BODY	536 mm	536 mm	801 mm
BODY ON STACKER	1001 mm	536 mm	801 mm
BODY ON BENCH	988 mm	536 mm	1420 mm
BODY ON LEGS	865 mm	536 mm	801 mm
BODY ON LOW BASE	808 mm	536 mm	801 mm
BODY ON MODULAR BENCH	988 mm	542 mm	1420 mm

BONDI STANDARD CLEARANCES*			
REAR	SIDE	CORNER	HEARTH (FRONT)
160 mm	400 mm	200 mm	300 mm

*Clearances when using a standard default flue kit (mesh or solid outer) or AHD special insulated flue kit.

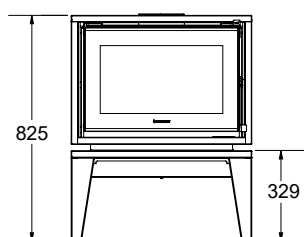
BONDI XL CLEARANCES*			
REAR	SIDE	CORNER	HEARTH (FRONT)
150 mm	450 mm	300 mm	300 mm

*Clearances when using a standard default flue kit (mesh or solid outer) or AHD special insulated flue kit.

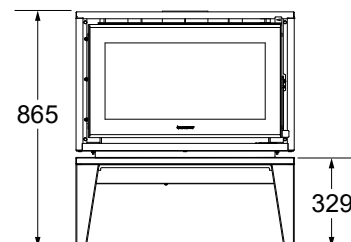
Bondi Legs Kit



Bondi Standard



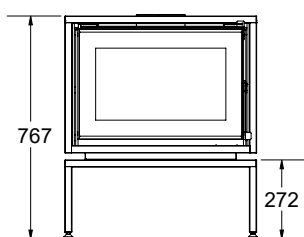
Bondi XL



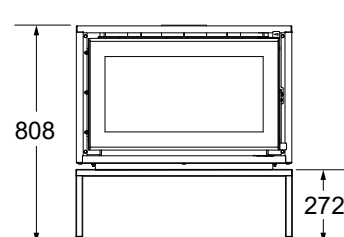
Bondi Low Base



Bondi Standard



Bondi XL

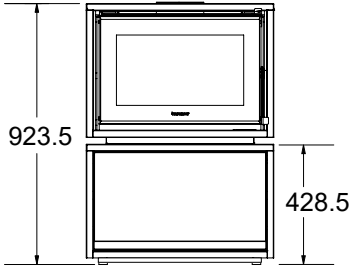


Measurements

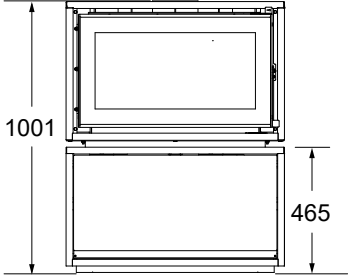
Bondi Wood Stacker with Fan Kit



Bondi Standard



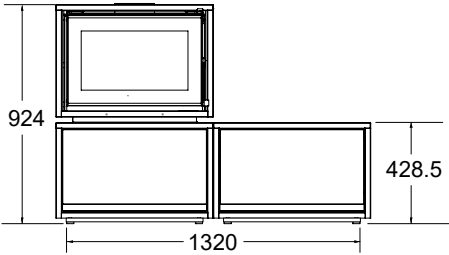
Bondi XL



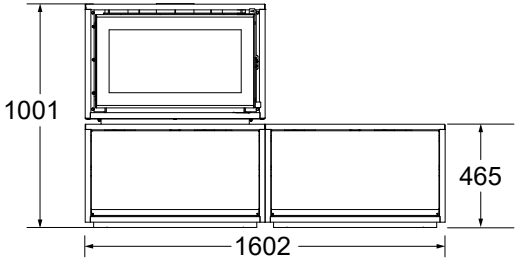
Bondi Side Wood Stacker



Bondi Standard



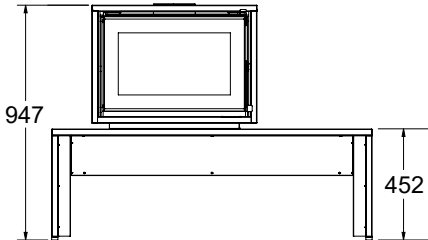
Bondi XL



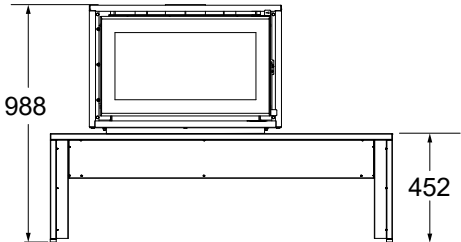
Bondi Bench with Fan Kit



Bondi Standard

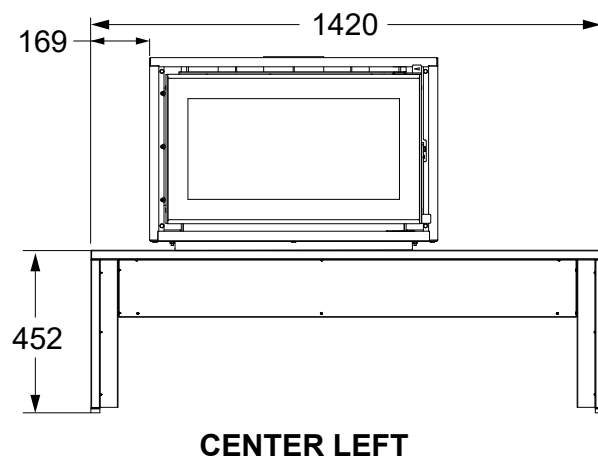
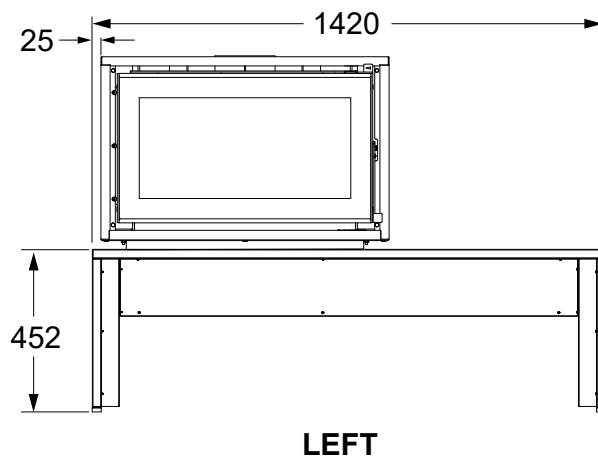
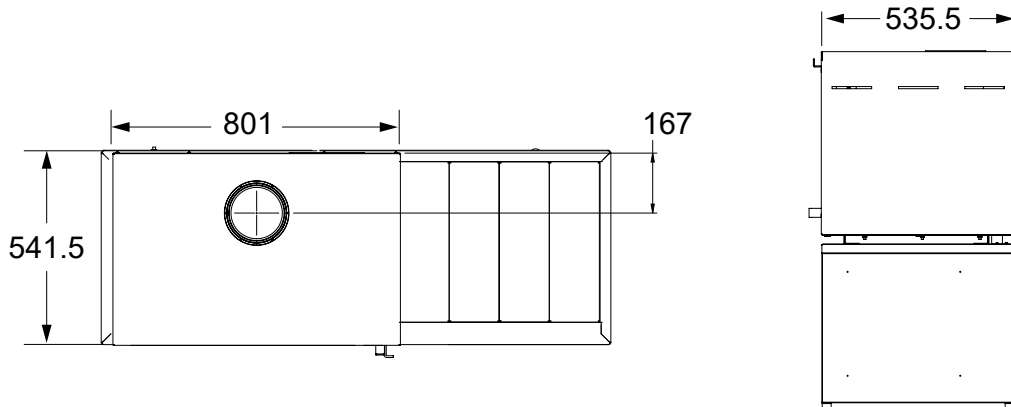


Bondi XL



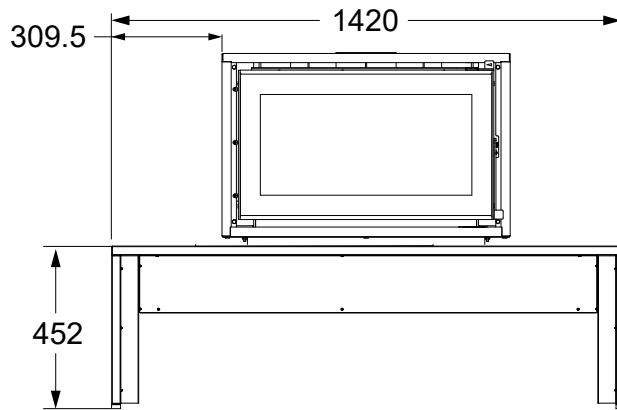
Measurements

Bondi with Modular Bench - Bondi XL

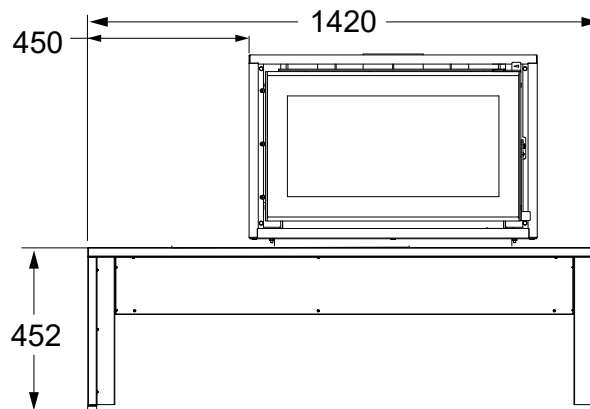


Measurements

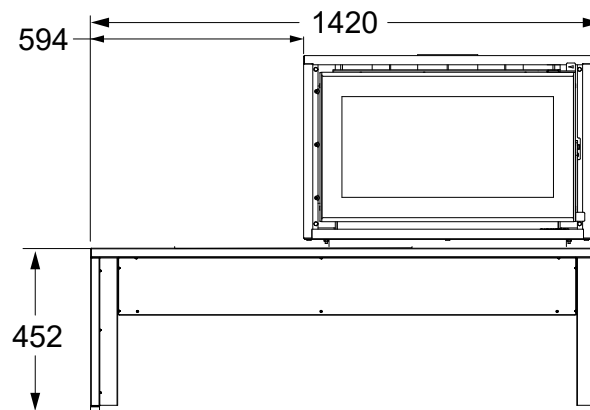
Bondi with Modular Bench - Bondi XL



CENTER



CENTER RIGHT



RIGHT



Find More Products at **REGENCY-FIRE.COM.AU**



Fireplace Products Australia Pty Ltd.
99 Colemans Rd, Dandenong South VIC,
3175, Australia
Phone: 1 800 081 978
Email: sales@regency-fire.com.au

Distributor WA
Air Group Australia
131 Bannister Rd
Canning Vale WA 6155
Australia
Phone: 08 9350 2200

Your Regency Dealer

©2026 FPI Fireplace Products International Ltd. Regency® are the registered and/or proprietary trademarks of FPI Fireplace Products International Ltd. All rights reserved. (04/26)