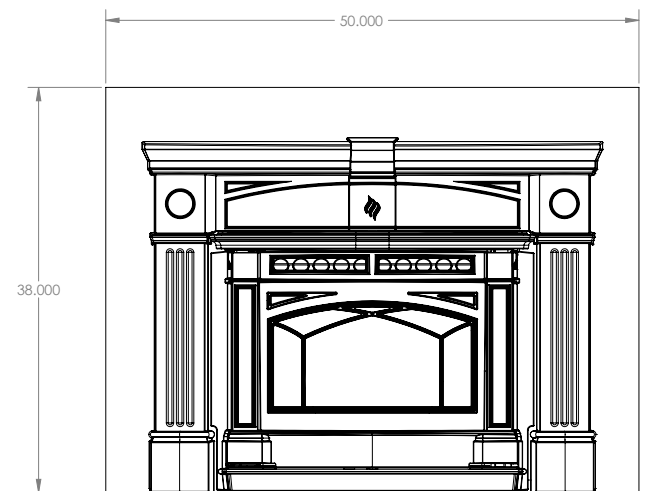
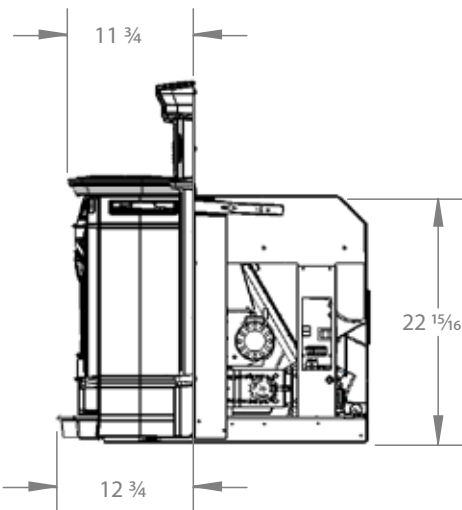
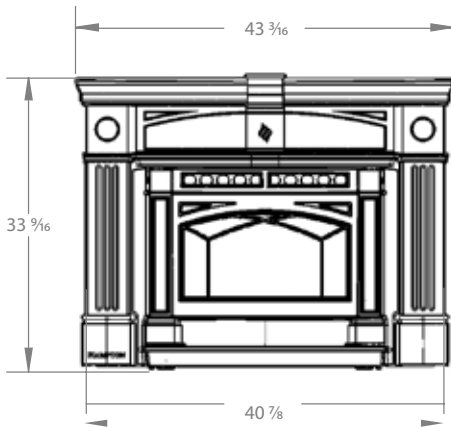
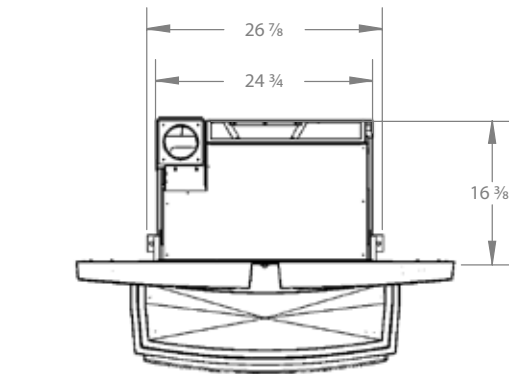


Hampton GCI60 Cast Iron Pellet Insert

Model	GCI60
Cordwood BTU's	55,000 BTU's
Emissions (grams/hr) EPA Certified	1.82 gram/hr
Efficiency (EPA HHV)*	60%
Efficiency (EPA LHV)	64.5%
Flue Size	4" (102mm)
US Biomass Tax Rebate Eligible	No

*US Biomass Tax Rebate eligibility is based on the HHV value being greater than or equal to 75%.



Filler Panels Dimensions